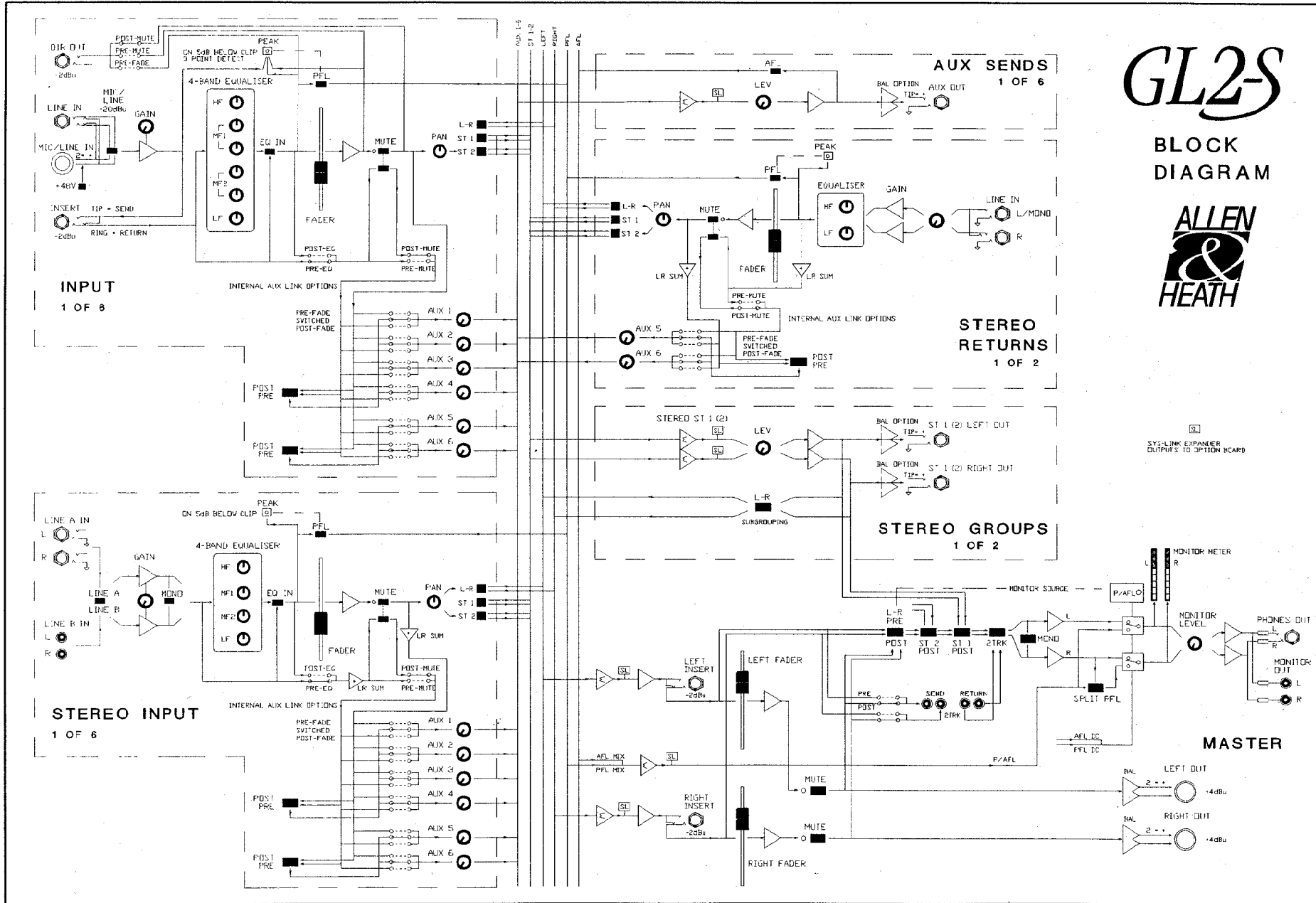


# GL2-S

## BLOCK DIAGRAM

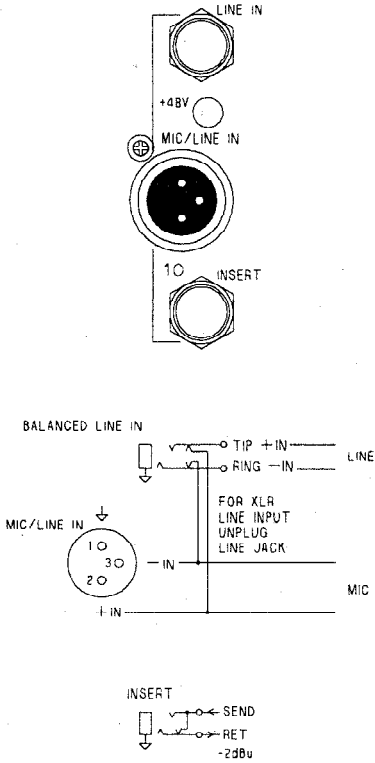


# GL2-S BLOCK DIAGRAM

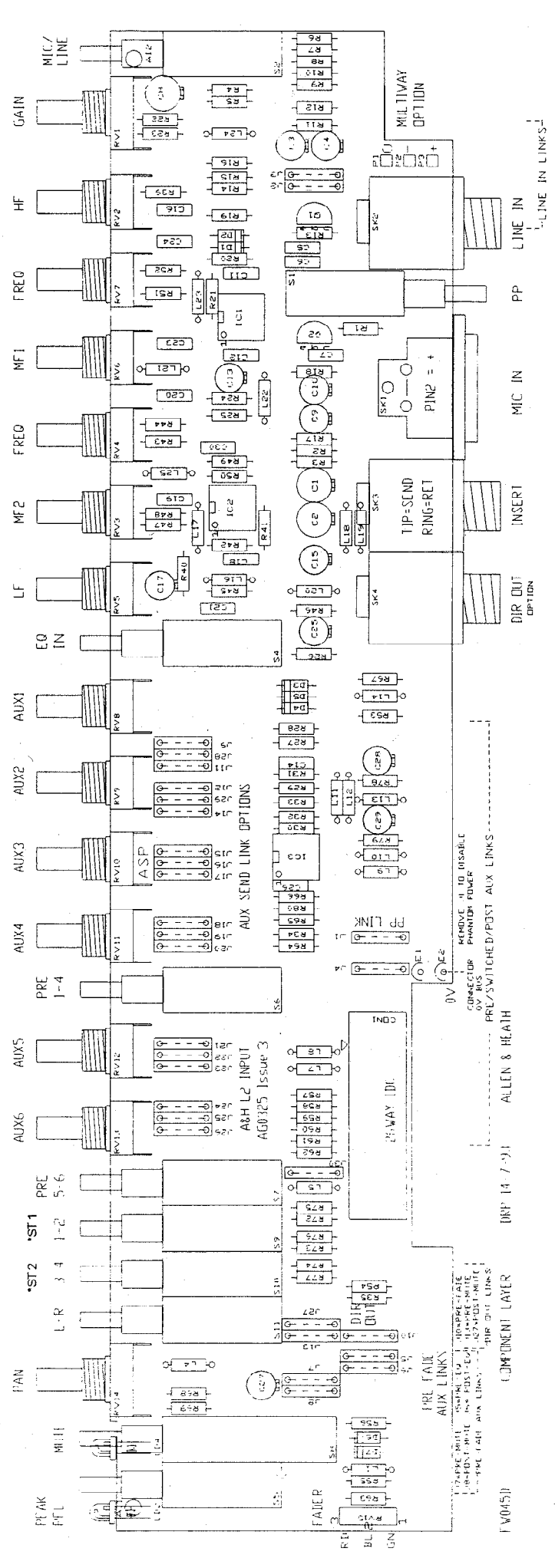


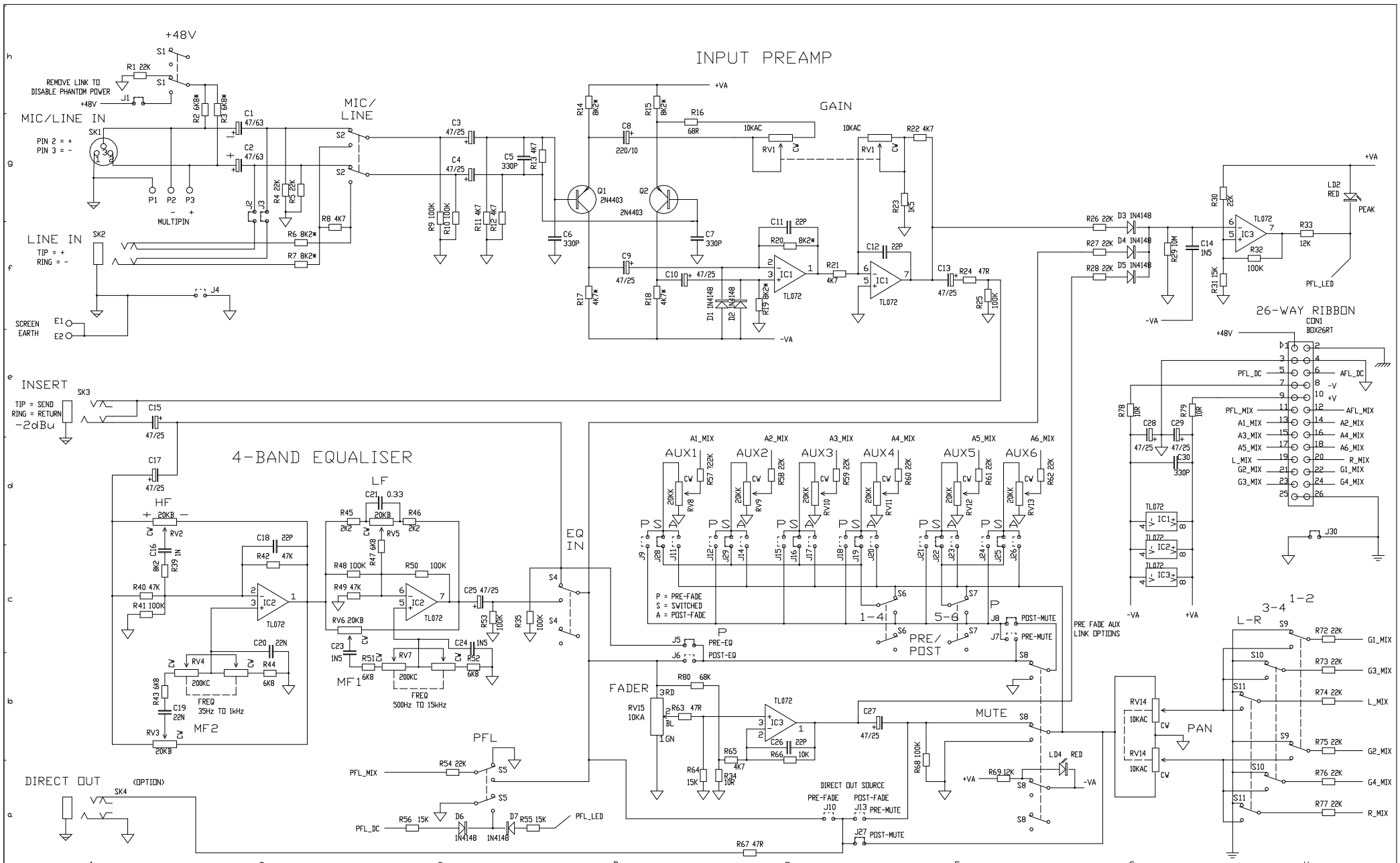
# INPUT CHANNEL

\* = GL2-S



10





ISS.	REVISION	BY	DATE	NOTES
P1	ORIGIN	CD	12-5-93	1. RESISTORS MARKED * ARE 1% ALL OTHERS ARE 5% 1/4W UNLESS OTHERWISE MARKED
1		DRP	21-7-93	2. ELECTROLYTIC CAPACITORS ARE 16V/VOLTS

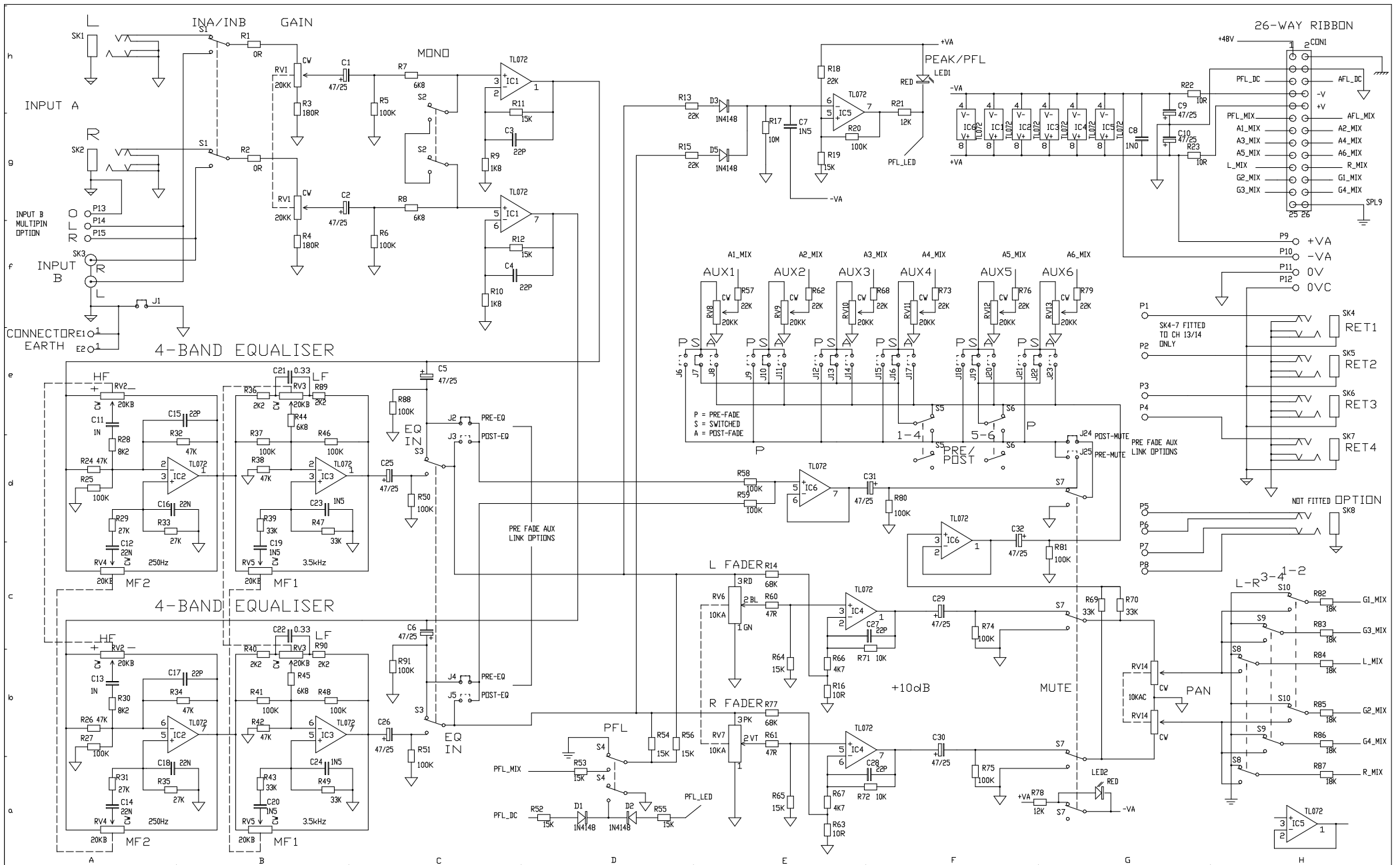
UNIT TITLE  
GL2

DRAWING TITLE  
INPUT CIRCUIT DIAGRAM  
PCB TYPE AG0325

MANUFACTURED IN ENGLAND BY  
ALLEN & HEATH

DRAWING No. D222 ISSUE 1

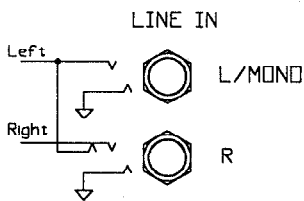
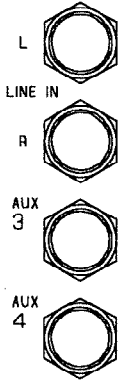




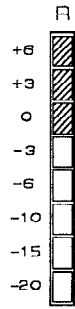
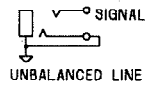
ISS.	REVISION	BY DATE	NOTES	UNIT TITLE	MANUFACTURED IN ENGLAND BY
P1 1	ORIGIN	DRP 2-6-93 DRP21-7-93	1. RESISTORS MARKED * ARE 1% ALL OTHERS ARE 5% 1/4W UNLESS OTHERWISE MARKED 2. ELECTROLYTIC CAPACITORS ARE 16V/VOLTS	GL2 STEREO CIRCUIT DIAGRAM PCB TYPE AG0326	ALLEN & HEATH DRAWING No. D223 ISSUE 1

# RETURN SECTION GL2-S ONLY

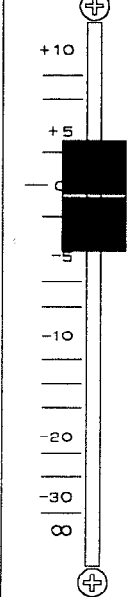
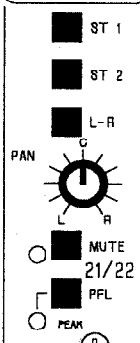
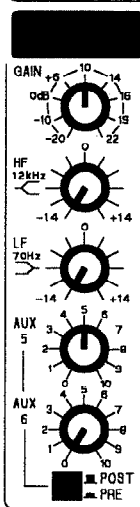
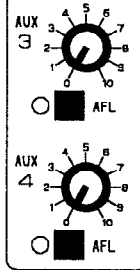
21/22



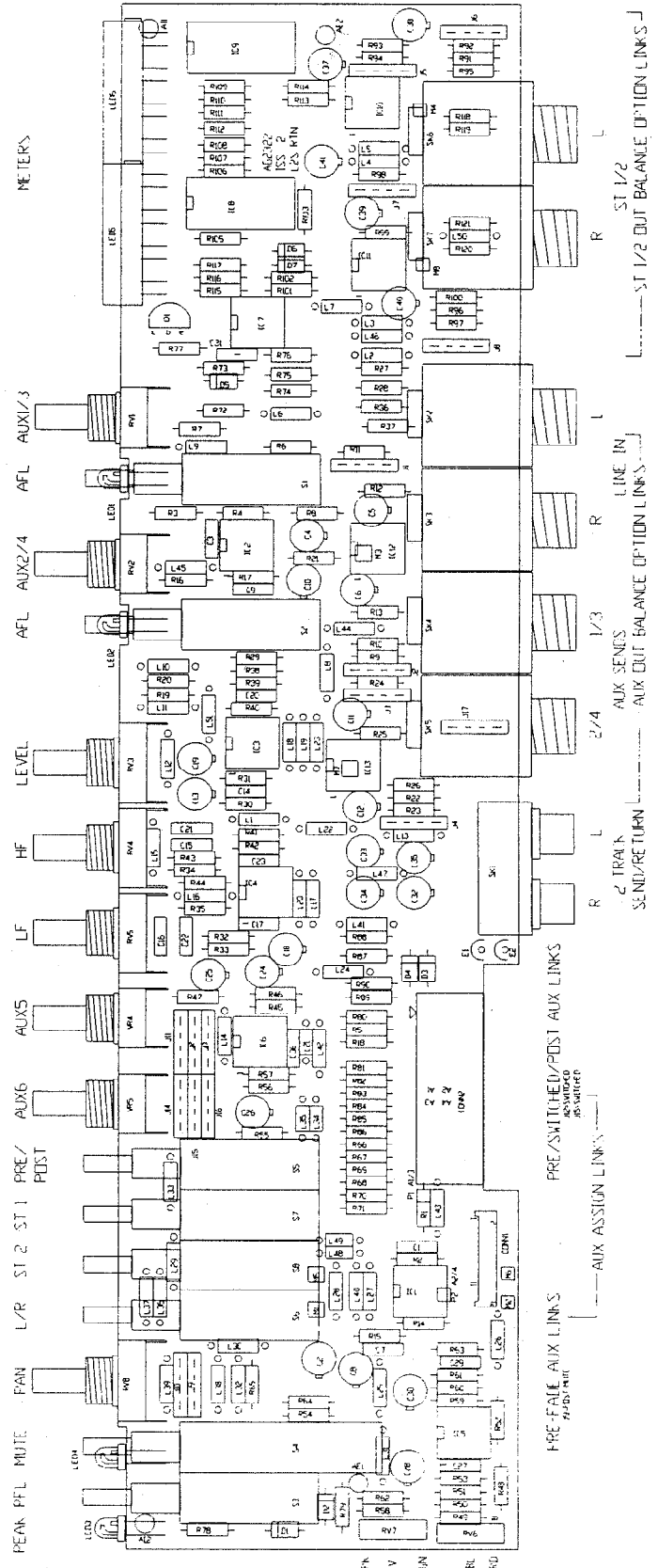
LINE IN  
AUX OUT - STANDARD

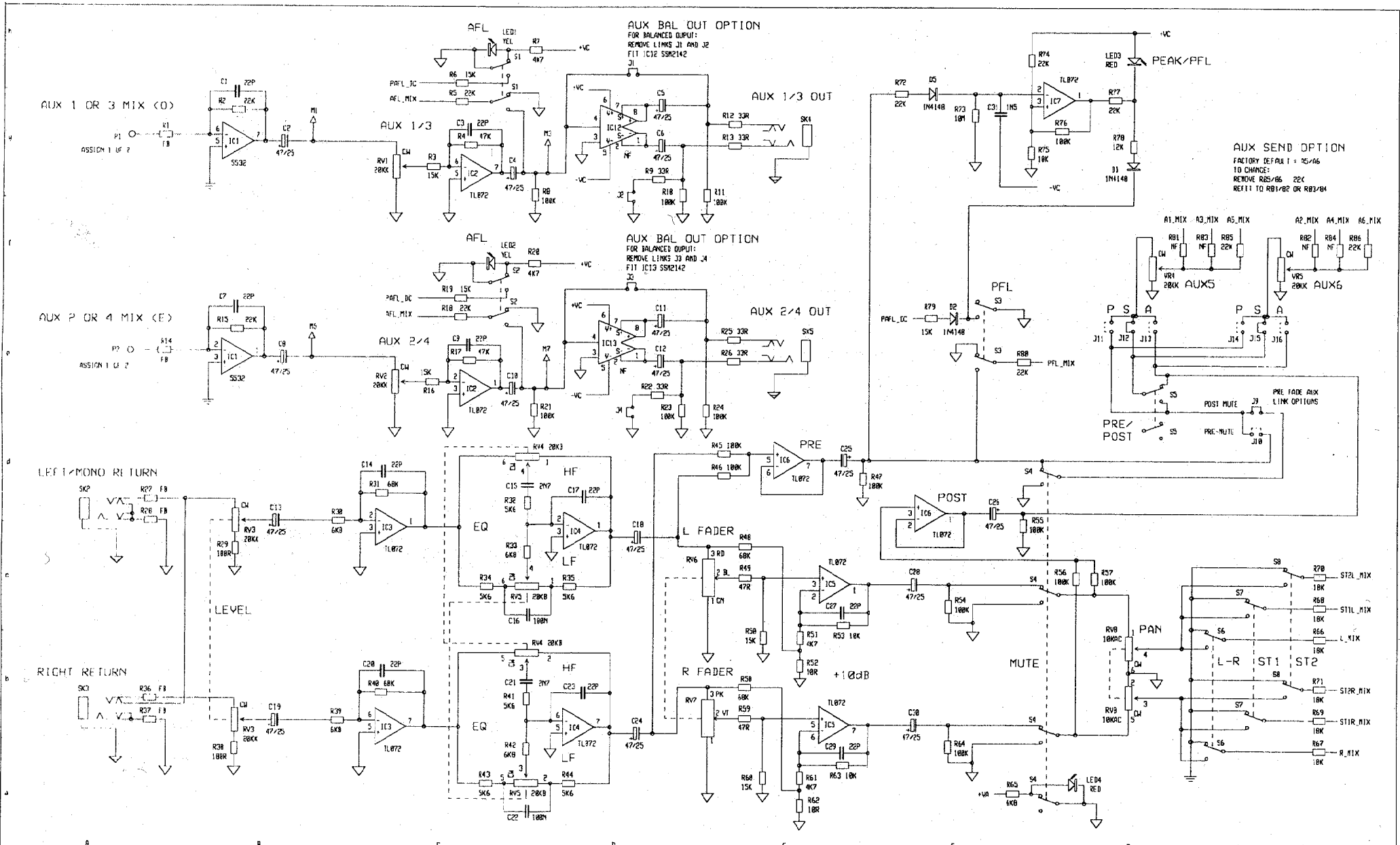


AUX SEND MASTERS



21 22





ISS.	REVISION	BY	DATE	NOTES
A	ORIGIN	ARJ/DLP	22/6/95	
1	PRODUCTION	DLP	26/7/95	

NOTES

- RESISTIONS MARKED \* ARE 1%  
ALL OTHERS ARE 5% 1/4W UNLESS OTHERWISE MARKED
- ELECTROLYTIC CAPACITORS ARE µF/VOLTS

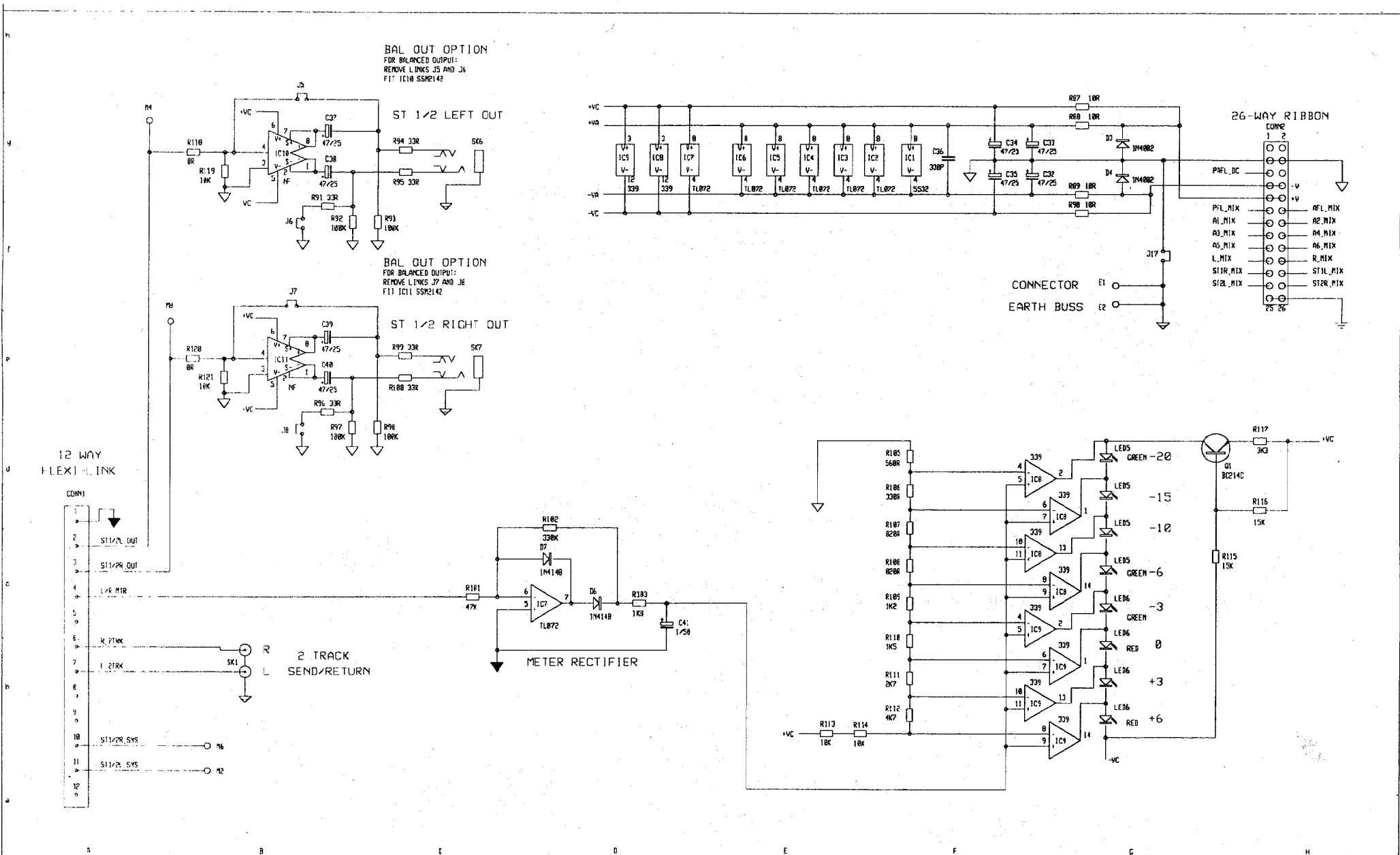
UNIT TITLE  
GL2S SHEET 1 OF 2

DRAWING TITLE  
RETURN CIRCUIT DIAGRAM  
PCB TYPE AG2322

MANUFACTURED IN ENGLAND BY

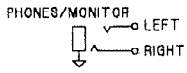
ALLEN & HEATH

DRAWING No. C2322 ISSUE 1

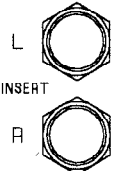
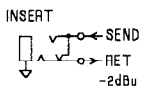
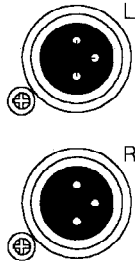
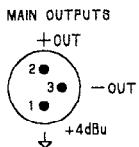
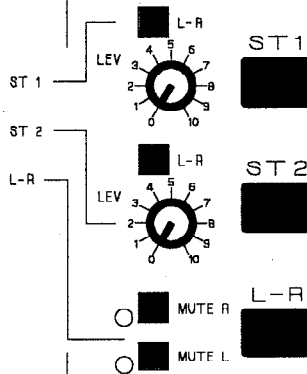
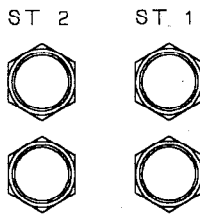
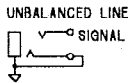
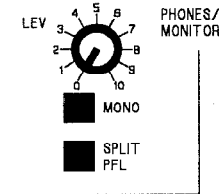
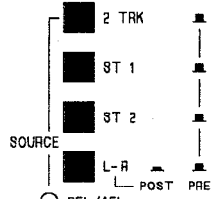
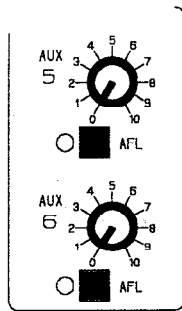
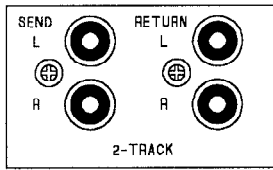
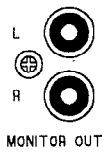
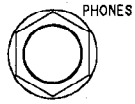


ISS.	REVISION	BY	DATE	NOTES	UNIT TITLE	MANUFACTURED IN ENGLAND BY
A	ORIGIN PRODUCTION	ARJ/DLP DLP	22/6/95 26/7/95	1. RESISTORS MARKED # ARE 1% ALL OTHERS ARE 5% 1/4W UNLESS OTHERWISE MARKED 2. ELECTROLYTIC CAPACITORS ARE 16V/50V	GL2S SHEET 2 OF 2	ALLEN & HEATH
1					RETURN CIRCUIT DIAGRAM PCB TYPE AG2322	DRAWING No. C2322 ISSUE 1

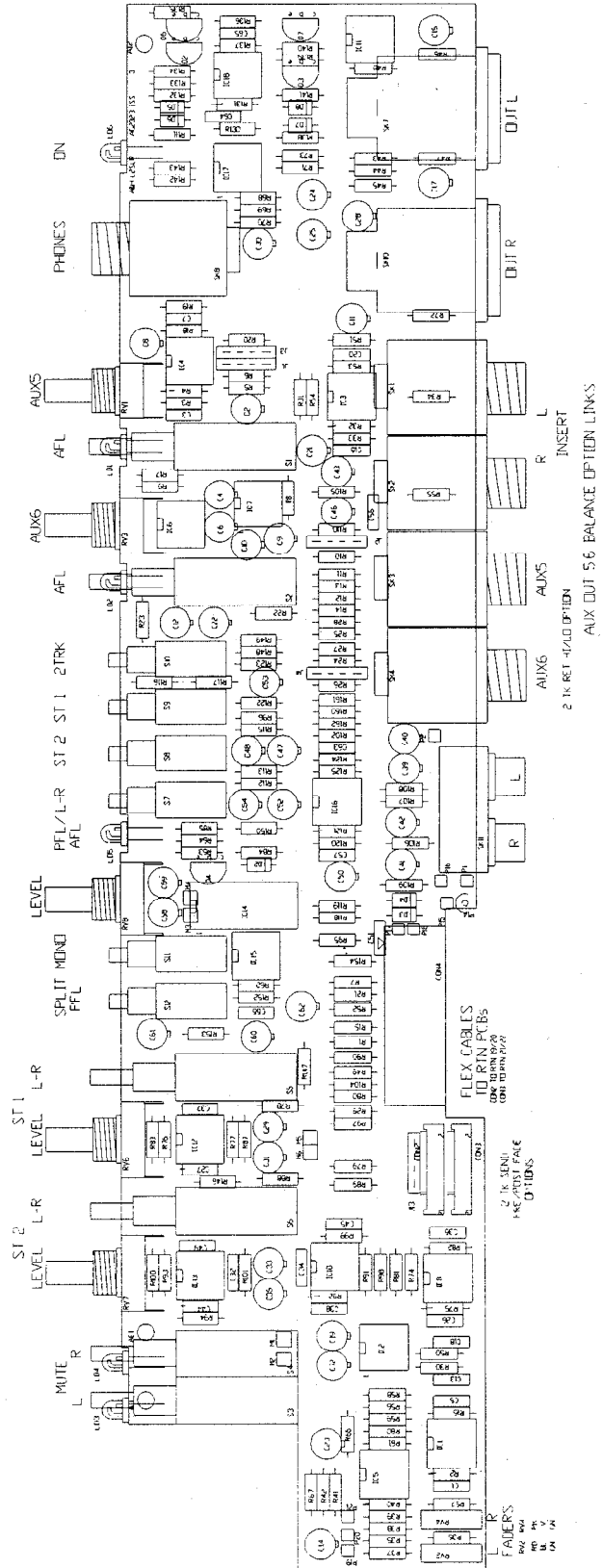
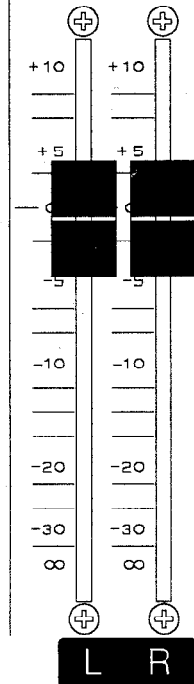


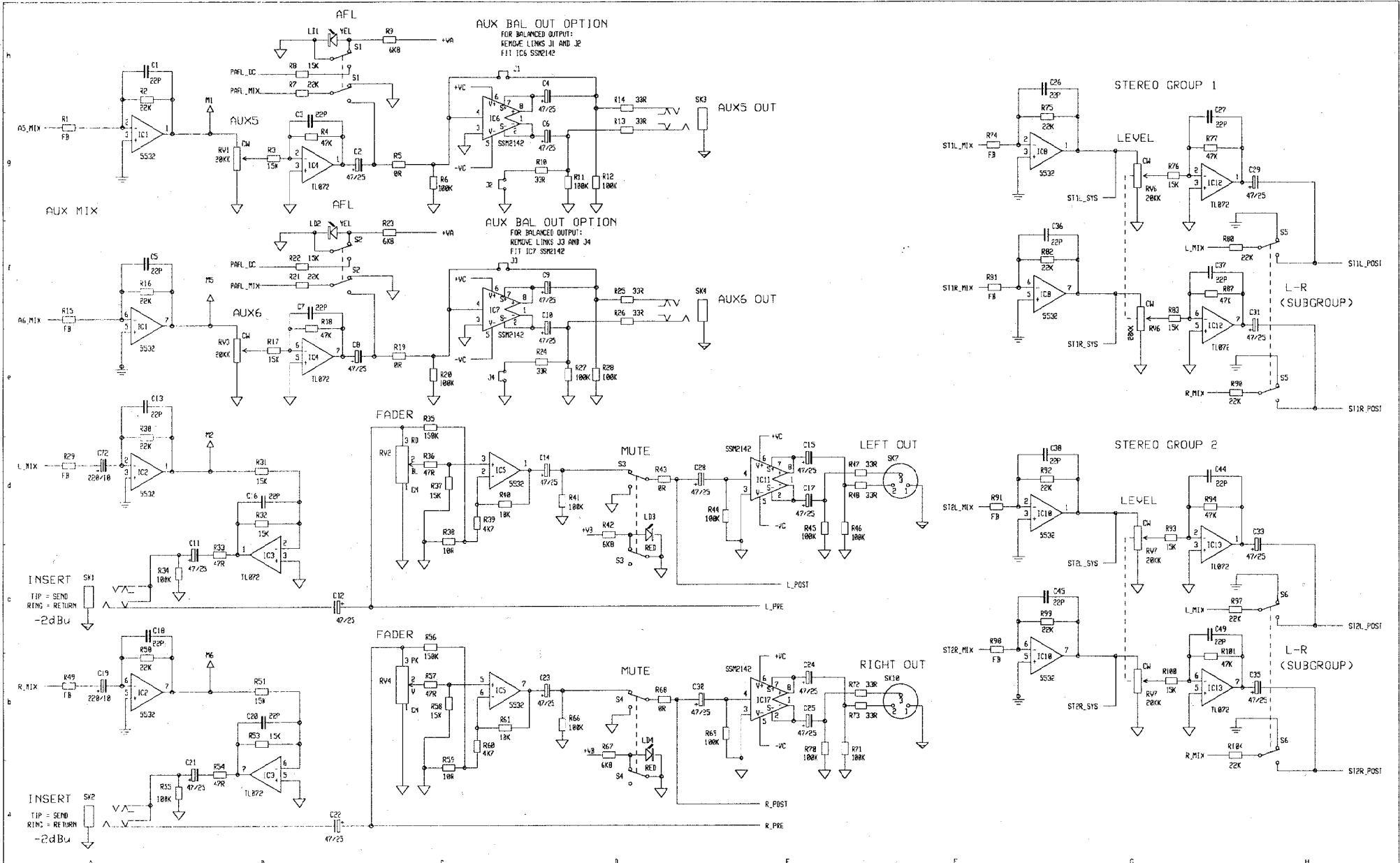


ON

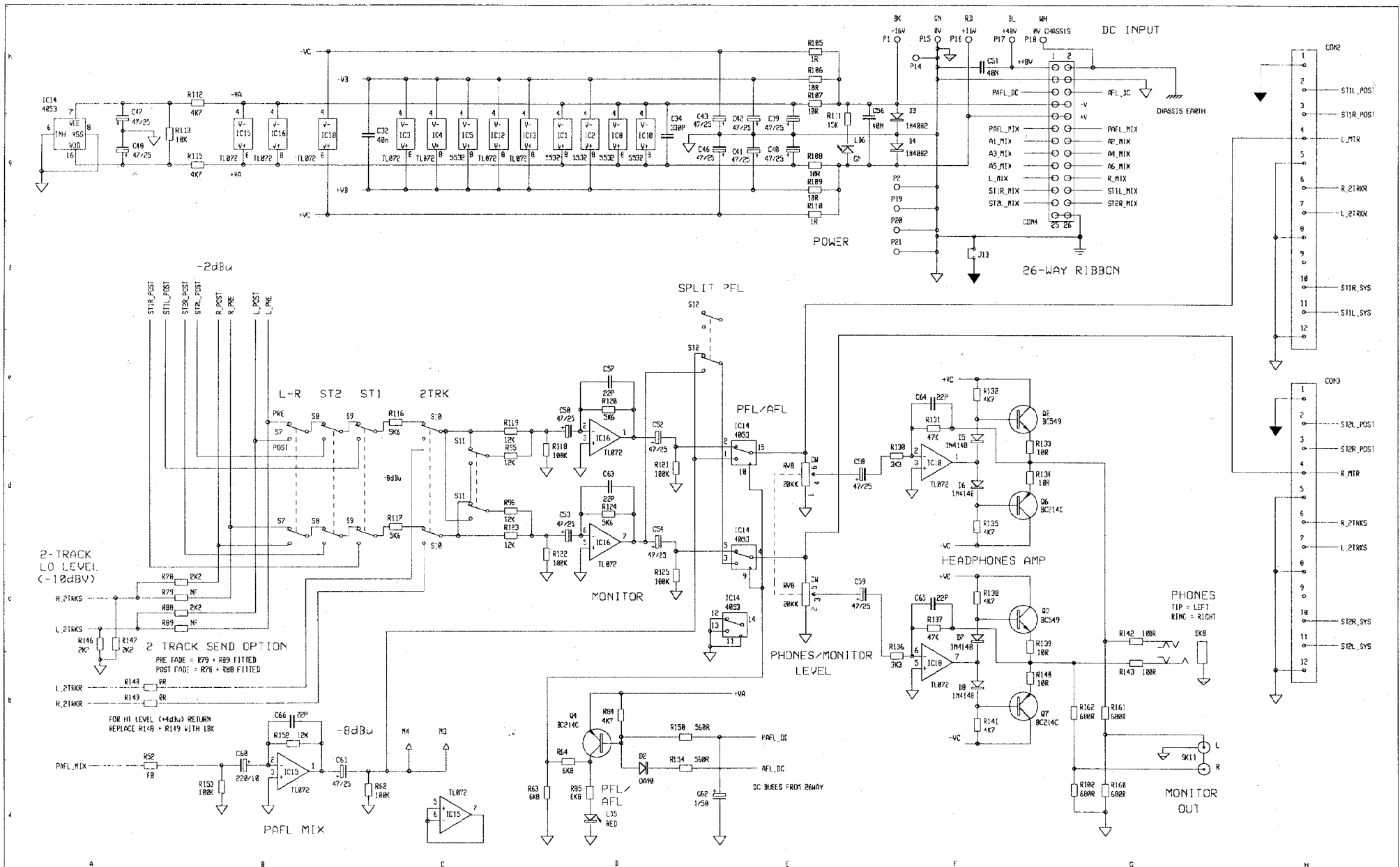


# LR SECTION GL2-S ONLY





ISS.	REVISION	BY DATE	NOTES	UNIT TITLE	MANUFACTURED IN ENGLAND BY
P1	ORIGIN	ARJ 29-6-95	1. RESISTORS MARKED * ARE 1% ALL OTHERS ARE 5% 1/4W UNLESS OTHERWISE MARKED	GL2S SHEET 1 OF 2	ALLEN & HEATH
P2	UPDATES	DLP 26/7/95	2. ELECTROLYTIC CAPACITORS ARE 50V/VOLTS	DRAWING TITLE LR CIRCUIT DIAGRAM	
1	PRODUCTION	DLP 14/8/95		PCB TYPE AG2323	DRAWING No. C2323 ISSUE 1



ISS.	REVISION	BY DATE	NOTES	UNIT TITLE	MANUFACTURED IN ENGLAND BY
P1	ORIGIN	ARJ 29-6-95	1. RESISTORS MARKED $\Phi$ ARE 1% ALL OTHERS ARE 5% 1/4W UNLESS OTHERWISE MARKED	GL2S S-SHEET 2 OF 2	ALLEN & HEATH
P2	UPDATES	DLP 26/7/95	2. ELECTROLYTIC CAPACITORS ARE $\mu$ F/VOLTS	DRAWING TITLE LR CIRCUIT DIAGRAM PCB TYPE AG2323	
1	PRODUCTION	DLP 14/8/95			DRAWING No. C2323 ISSUE 1