

ISS	REVISION	BY	DATE	NOTES
5	REVISED LAYOUT	ARJ	26-3-98	1. RESISTORS MARKED * ARE 1% ALL OTHERS ARE 5% 1/4W UNLESS OTHERWISE MARKED
5.1	IC2 FROM 5532 TO TL072	DWD	30-6-99	2. ELECTROLYTIC CAPACITORS ARE 10% TOL

UNIT TITLE
L3D

DRAWING TITLE
INPUT CIRCUIT DIAGRAM
AG3105

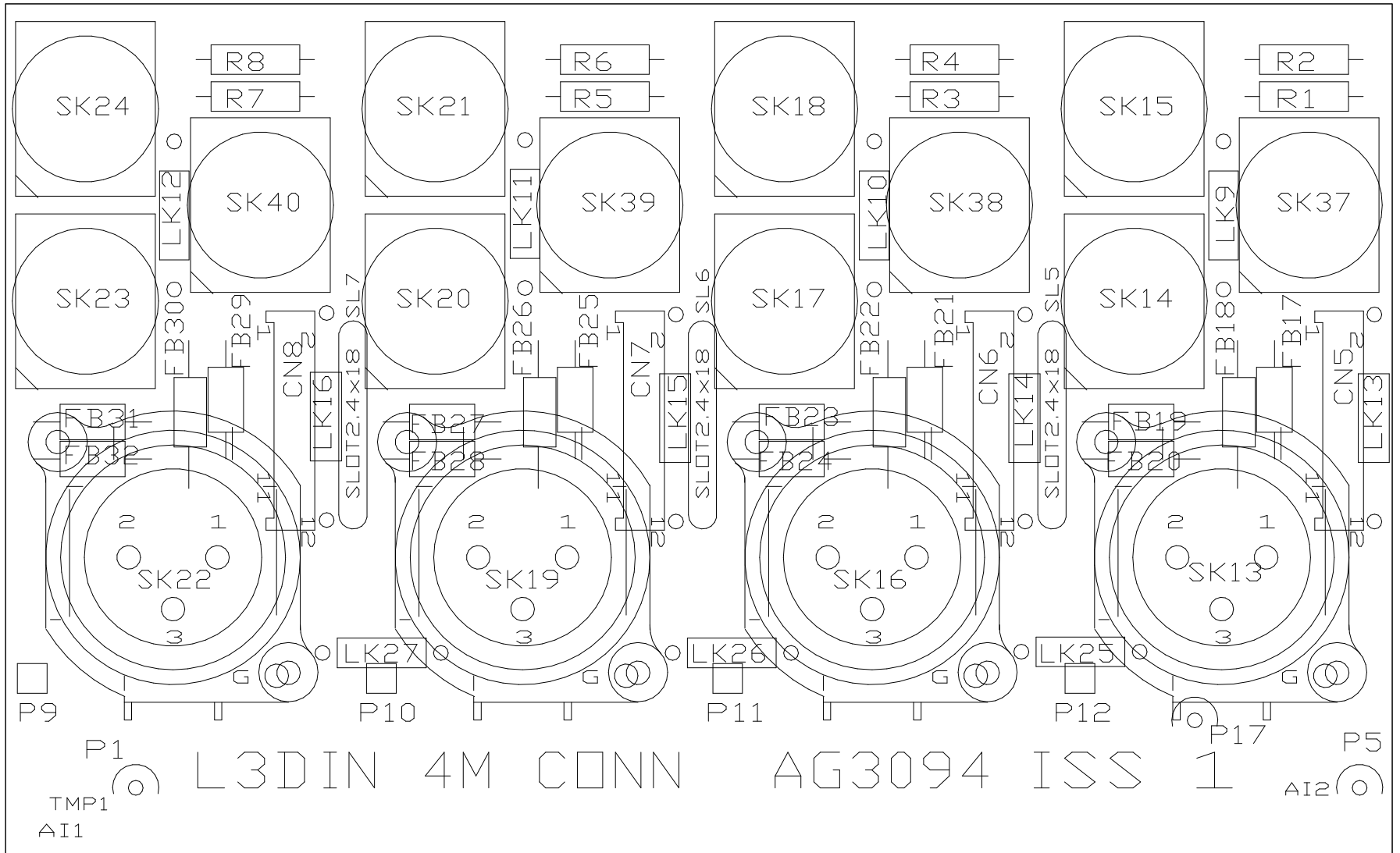
UNIT TITLE	MANUFACTURED IN ENGLAND BY
L3D	ALLEN & HEATH
DRAWING TITLE	DRAWING No. C3105 ISSUE 5.1 A1

INSERT

DIRECT OUT

LINE IN

MIC IN



P9

P10

P11

P12

P17

P5

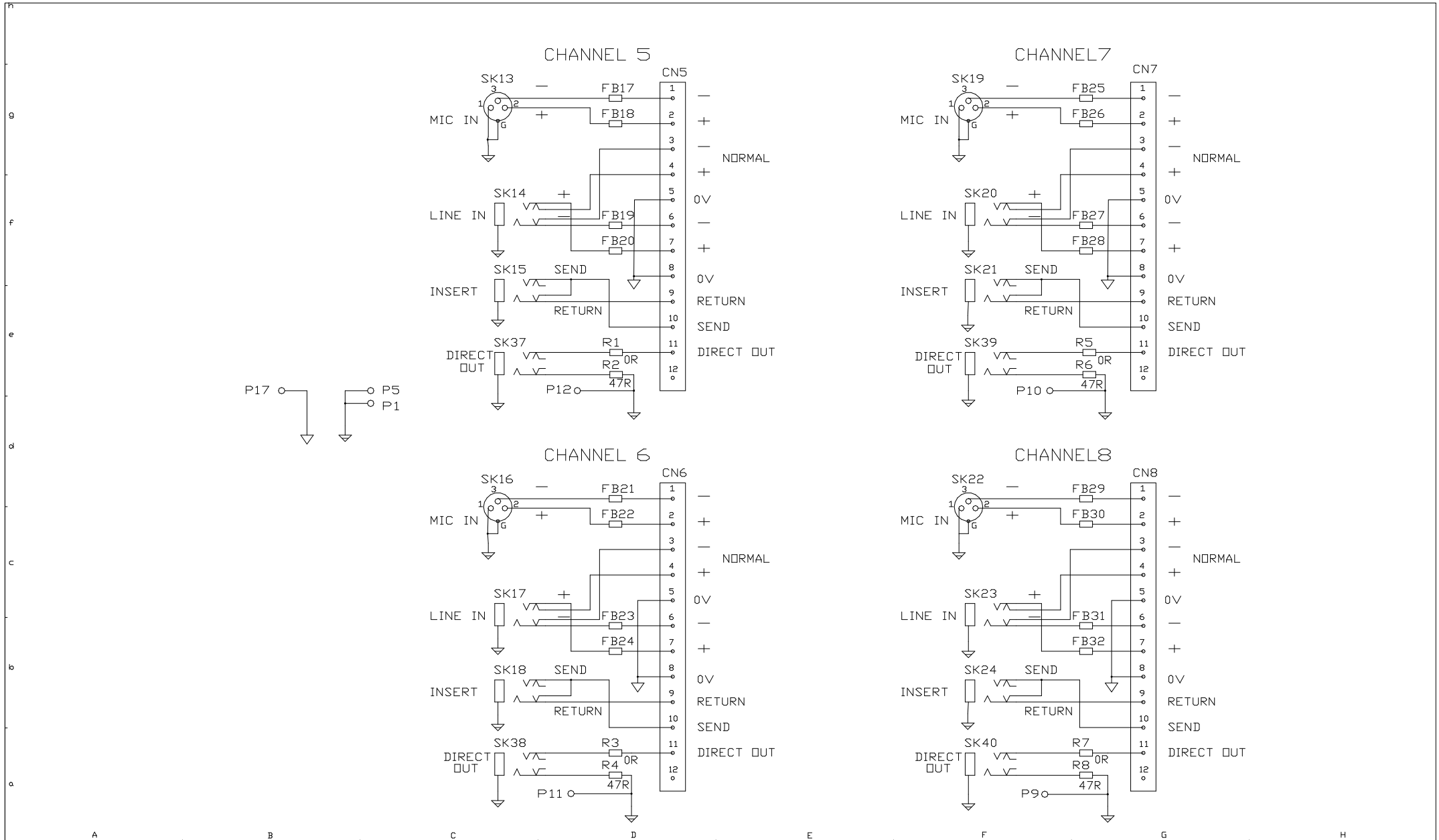
L3DIN 4M CONN AG3094 ISS 1

TMP1 AI1

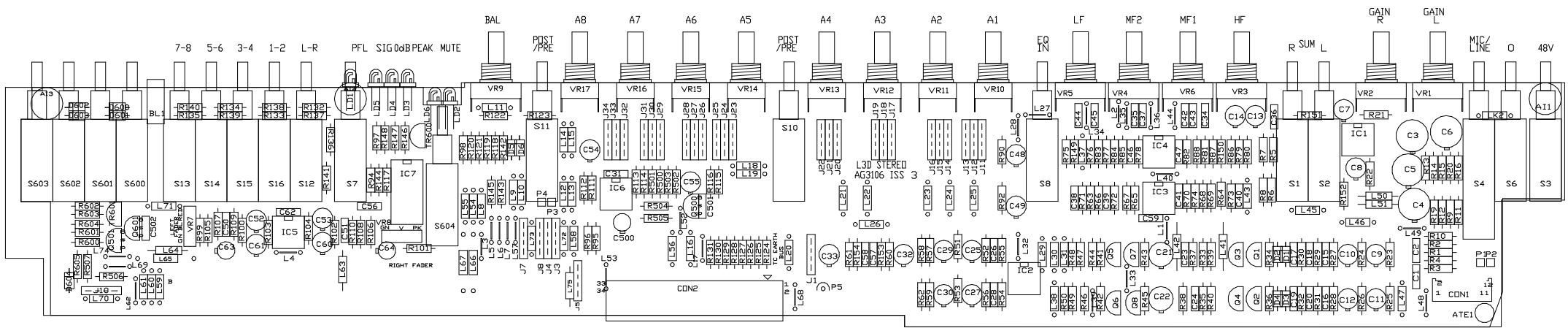
AI2

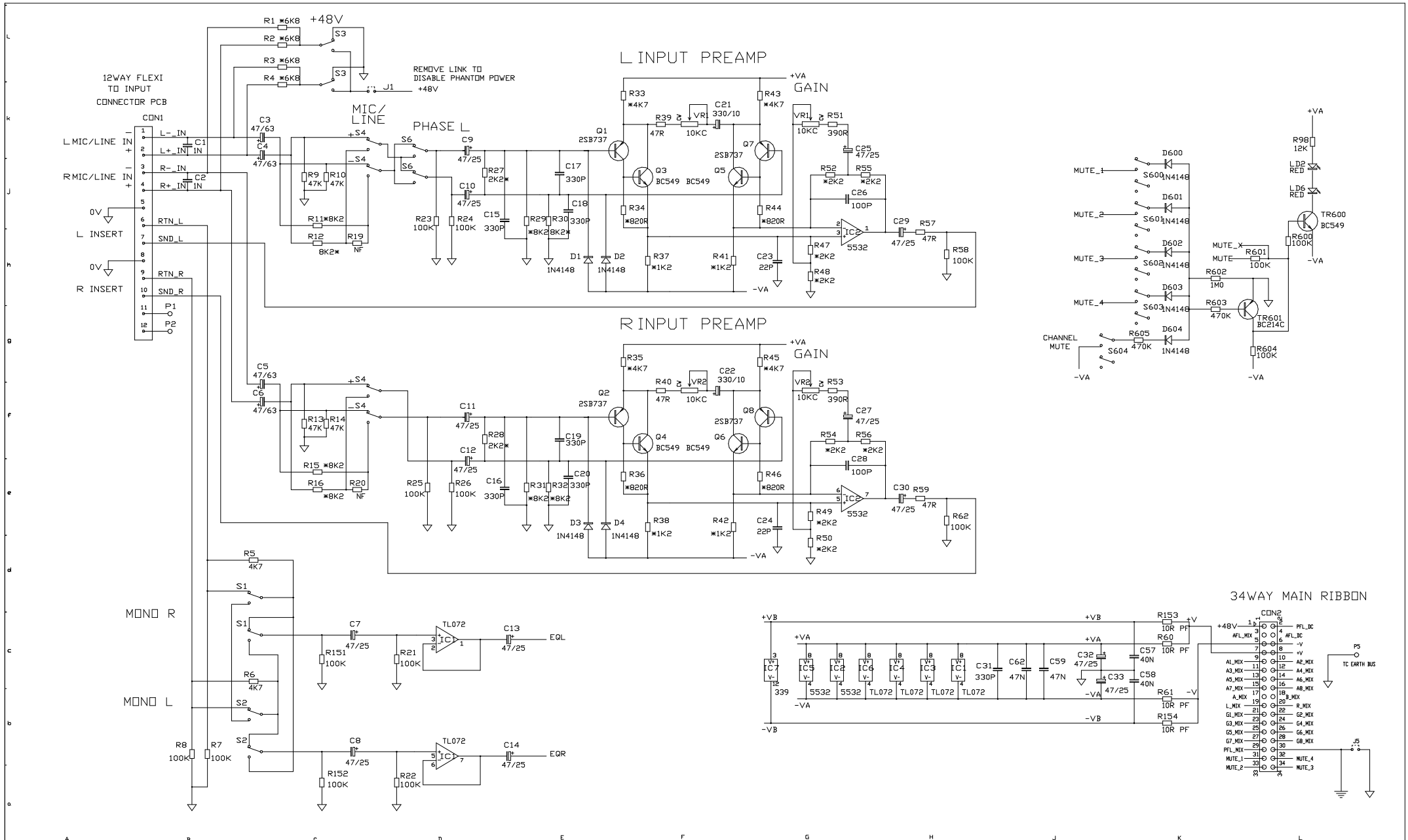
CHASSIS EARTH

AUDIODEARTH
CHASSIS EARTH



ISS.	REVISION	BY DATE	NOTES	UNIT TITLE	MANUFACTURED IN ENGLAND BY
1	ORIGIN	AAT21-04-97	1. RESISTORS MARKED * ARE 1% ALL OTHERS ARE SZ 1/4W UNLESS OTHERWISE MARKED 2. ELECTROLYTIC CAPACITORS ARE 16V/VOLTS	L3D	ALLEN & HEATH
				DRAWING TITLE	DRAWING No. C3094 ISSUE 1
				CIRCUIT DIAGRAM PCB TYPE AG3094	A2

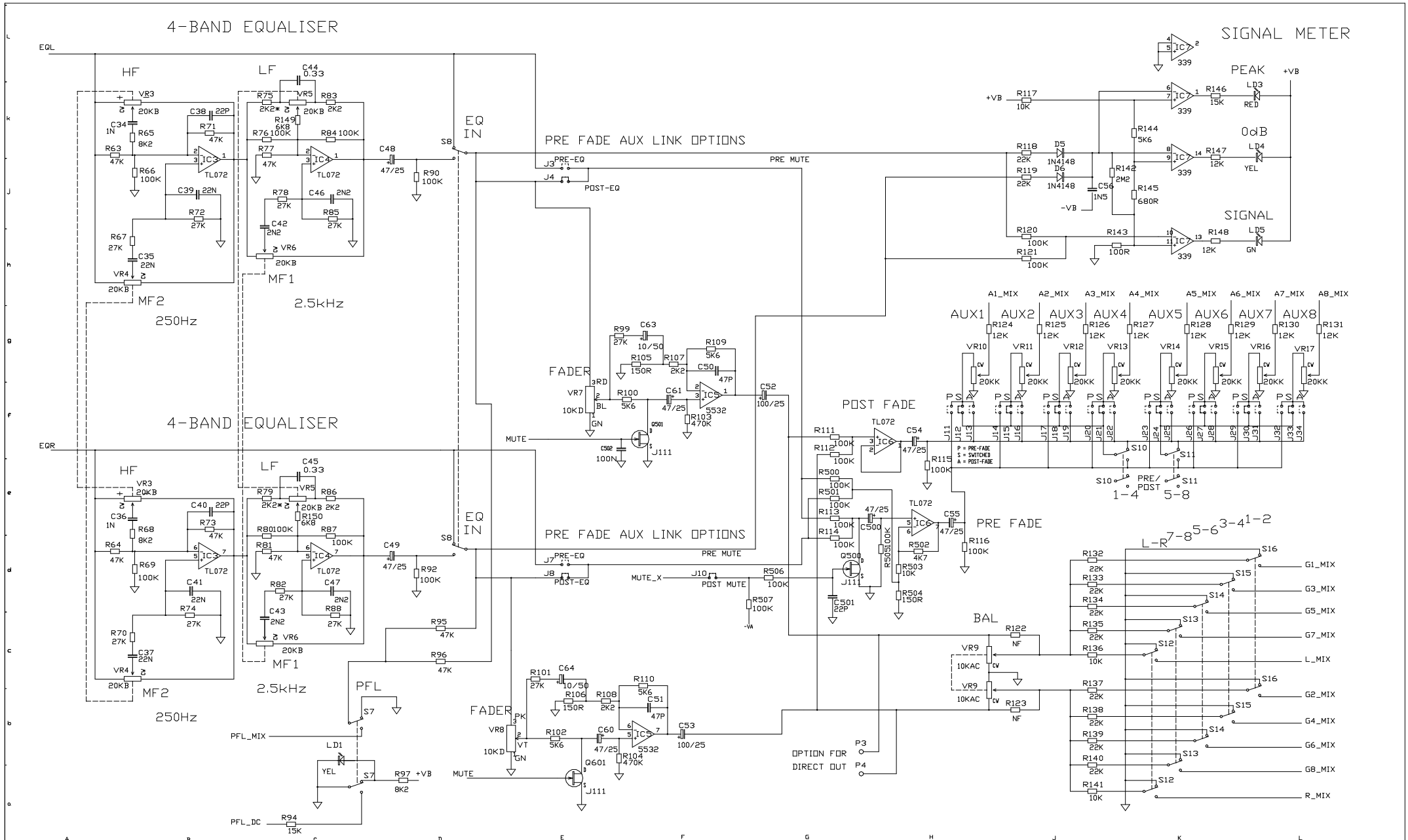




ISS	REVISION	BY	DATE	NOTES
A	DRIGIN	AA	13-05-97	1. RESISTORS MARKED * ARE 1%
B	UPDATE	AA	19-06-97	ALL OTHERS ARE 5% 1/4W UNLESS OTHERWISE MARKED
1	VALUE CHANGES	DRP	14-8-97	2. ELECTROLYTIC CAPACITORS ARE ?/VDLTS
2	C63 & C64 FROM 1/63 TO 10/50	DW	17-10-97	

UNIT TITLE: L3D
 DRAWING TITLE: STEREO CIRCUIT DIAGRAM FOR PCB TYPE

MANUFACTURED IN ENGLAND BY		ALLEN & HEATH	
DRAWING No	C3106	ISSUE	2
		A1	



ISS	REVISION	BY	DATE	NOTES
A	ORIGIN	AA113	05-97	1. RESISTORS MARKED * ARE 1% ALL OTHERS ARE 5% 1/4W UNLESS OTHERWISE MARKED
B	UPDATE	AA119	06-97	
1	VALUE CHANGES	DRP14	8-97	2. ELECTROLYTIC CAPACITORS ARE ?/VOLT
2	C63 & C64 FROM	DWD17	10-97	

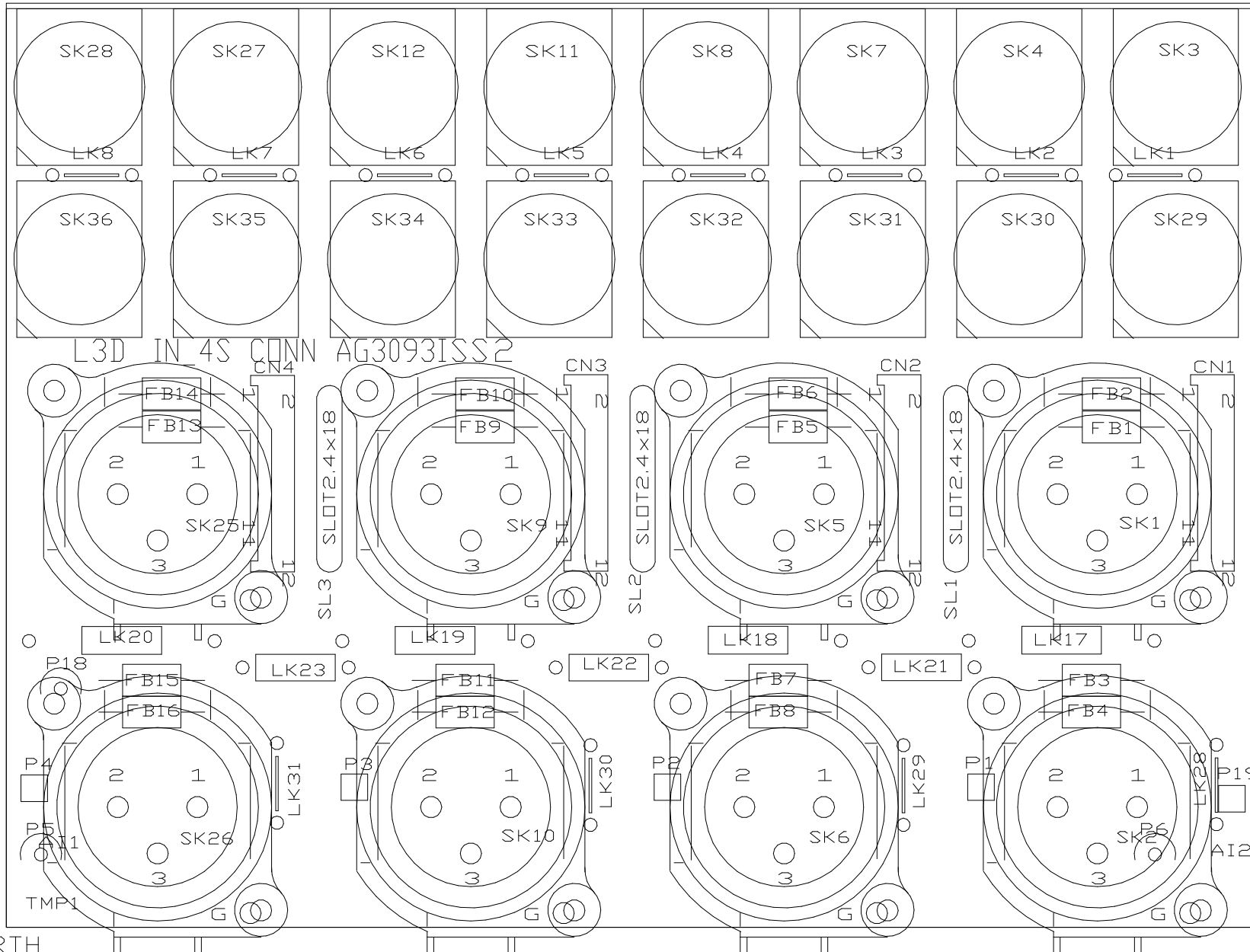
UNIT TITLE	L3D	PAGE 2 OF 2	MANUFACTURED IN ENGLAND BY
DRAWING TITLE	STEREO CIRCUIT DIAGRAM FOR PCB TYPE		ALLEN & HEATH
OPTION FOR DIRECT OUT	P3 P4		DRAWING No C3106 ISSUE 2 A1

CHANNEL 4

CHANNEL 3

CHANNEL 2

CHANNEL 1



INSERT R/L

LINE IN

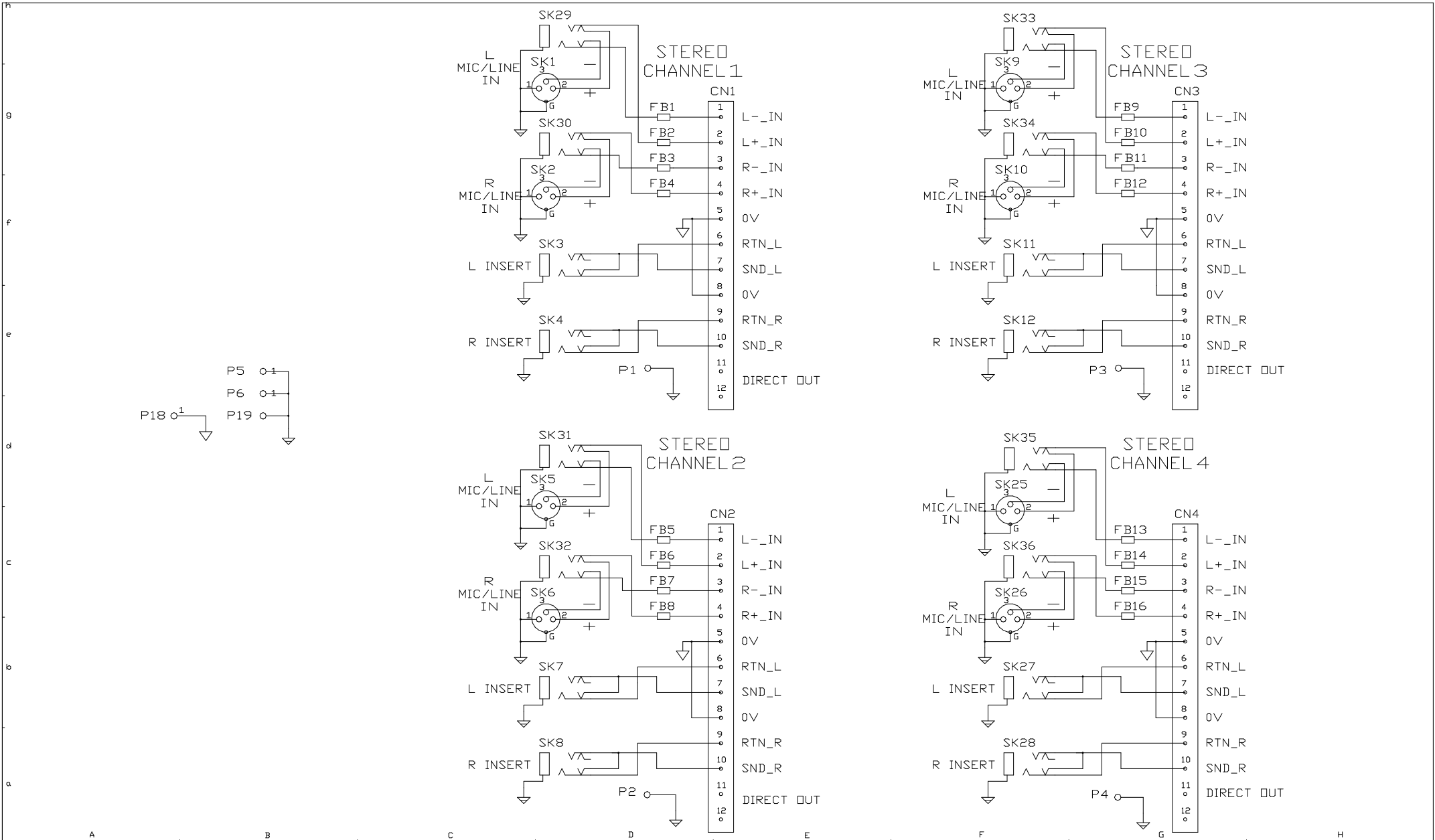
R L

L IN

R IN

AUDIOWEARTH
CHASSIS EARTH

CHASSIS EARTH

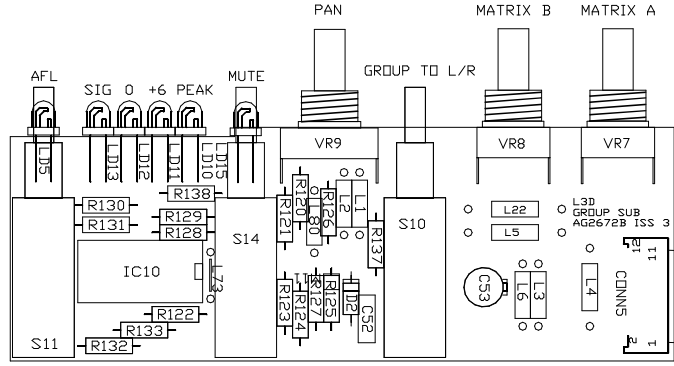


ISS.	REVISION	BY DATE	NOTES	UNIT TITLE	MANUFACTURED IN ENGLAND BY
1	ORIGIN	AAT21-04-97	1. RESISTORS MARKED * ARE 1% ALL OTHERS ARE SZ 1/4W UNLESS OTHERWISE MARKED 2. ELECTROLYTIC CAPACITORS ARE 10V/VOLTS	L3D	ALLEN & HEATH
				DRAWING TITLE	DRAWING No.
				IN-4S CONN PCB CIRCUIT DIAGRAM PCB TYPE AG3093	C3093 ISSUE 1
					A2

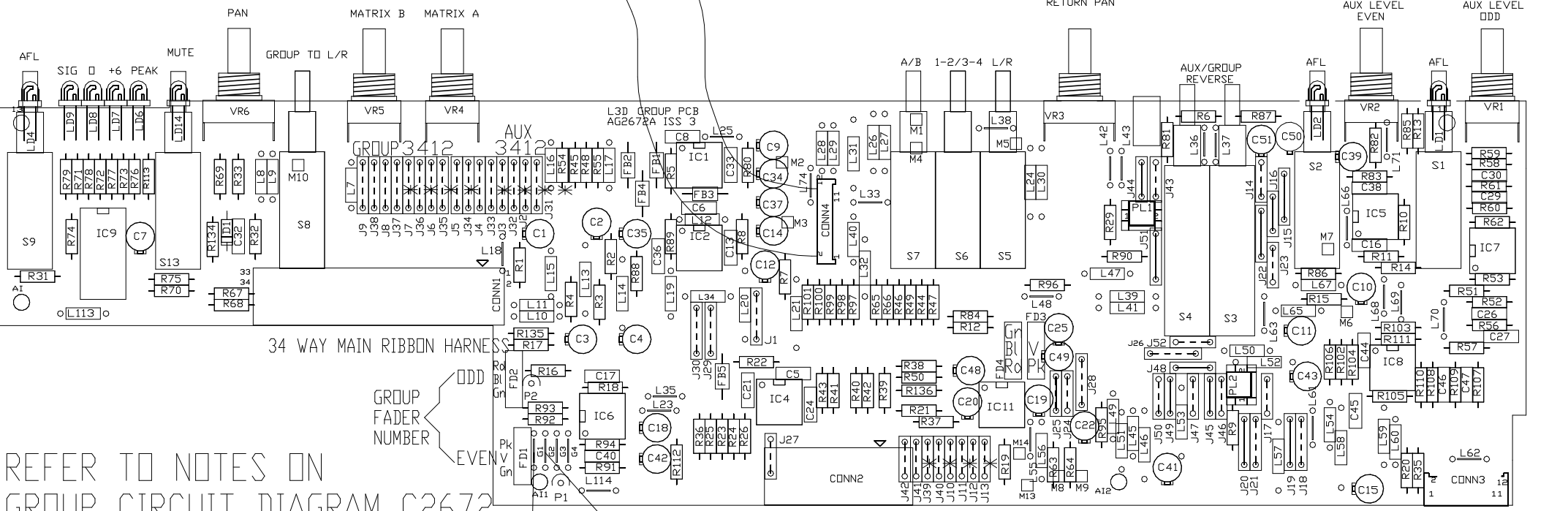
L3D GROUP & SUB CIRCUIT BOARD ASSEMBLY

PCB No: AG2672A&B ISSUE 3

ASSEMBLY CONFIGURATION FOR GROUP POSITIONS 1-4
 ASSEMBLY CODE: 002-192



SUB PCB



GROUP / SUB PCB
 RIBBON HARNESS

34 WAY MAIN RIBBON HARNESS

16 WAY MASTER
 RIBBON HARNESS

2413
 METER

CONNECTOR PCB
 RIBBON HARNESS

REFER TO NOTES ON
 GROUP CIRCUIT DIAGRAM C2672

GROUP
 FADER
 NUMBER

ODD

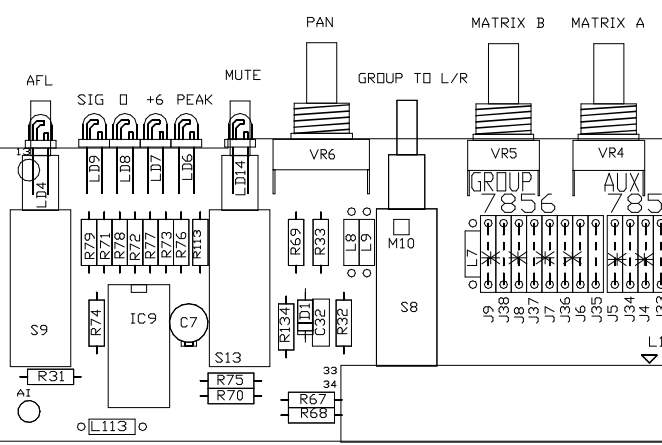
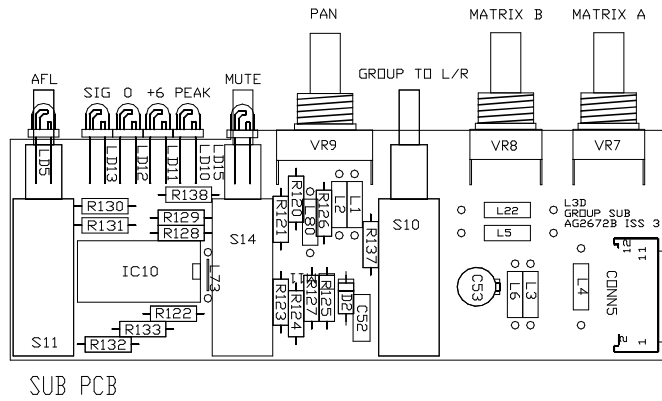
EVEN

GRP 1/2 GRP 3/4

L3D GROUP & SUB CIRCUIT BOARD ASSEMBLY

PCB No: AG2672A&B ISSUE 3

ASSEMBLY CONFIGURATION FOR GROUP POSITIONS 5-8
 ASSEMBLY CODE: 002-193



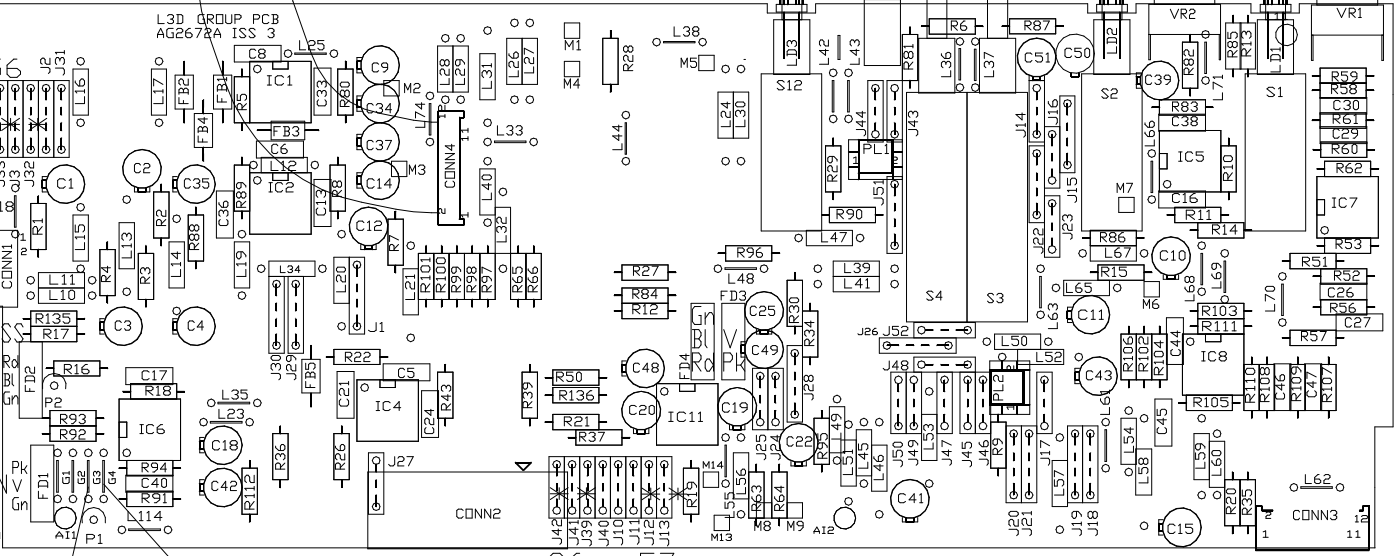
REFER TO NOTES ON
 GROUP CIRCUIT DIAGRAM C2672

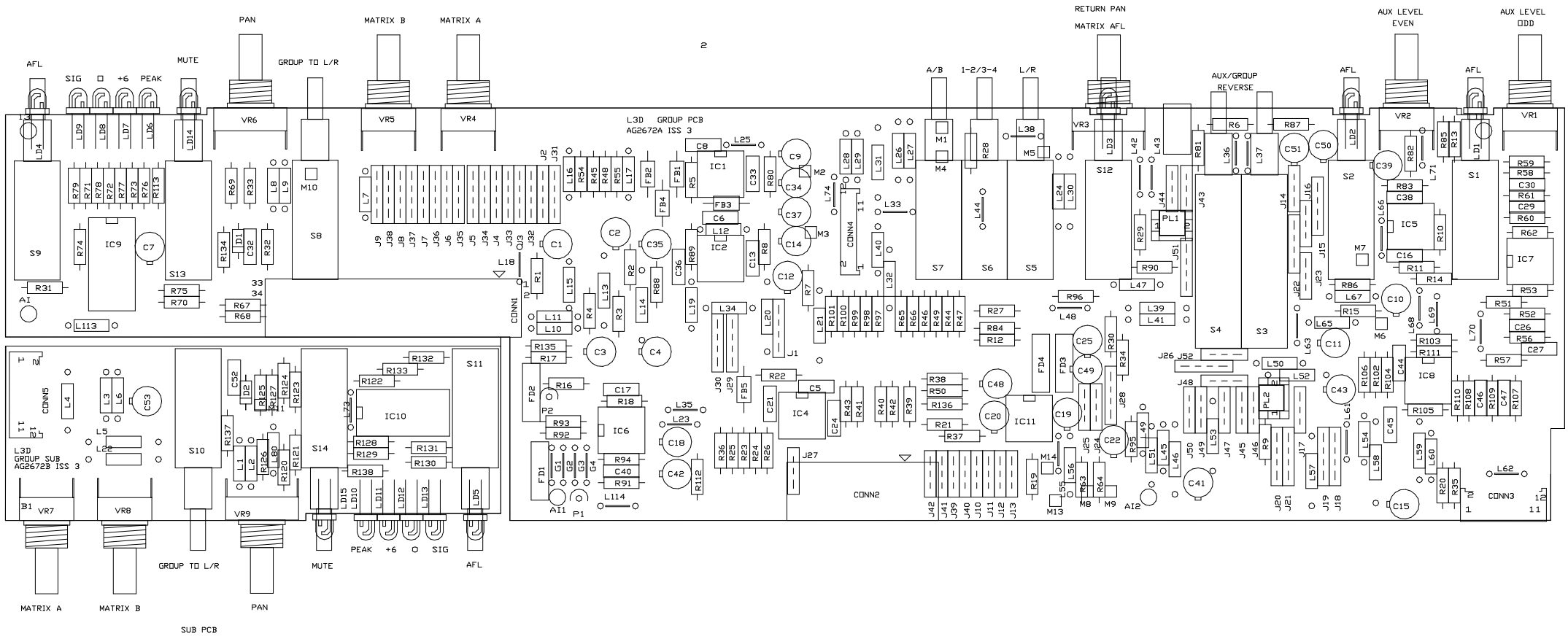
GROUP / SUB PCB
 RIBBON HARNESS

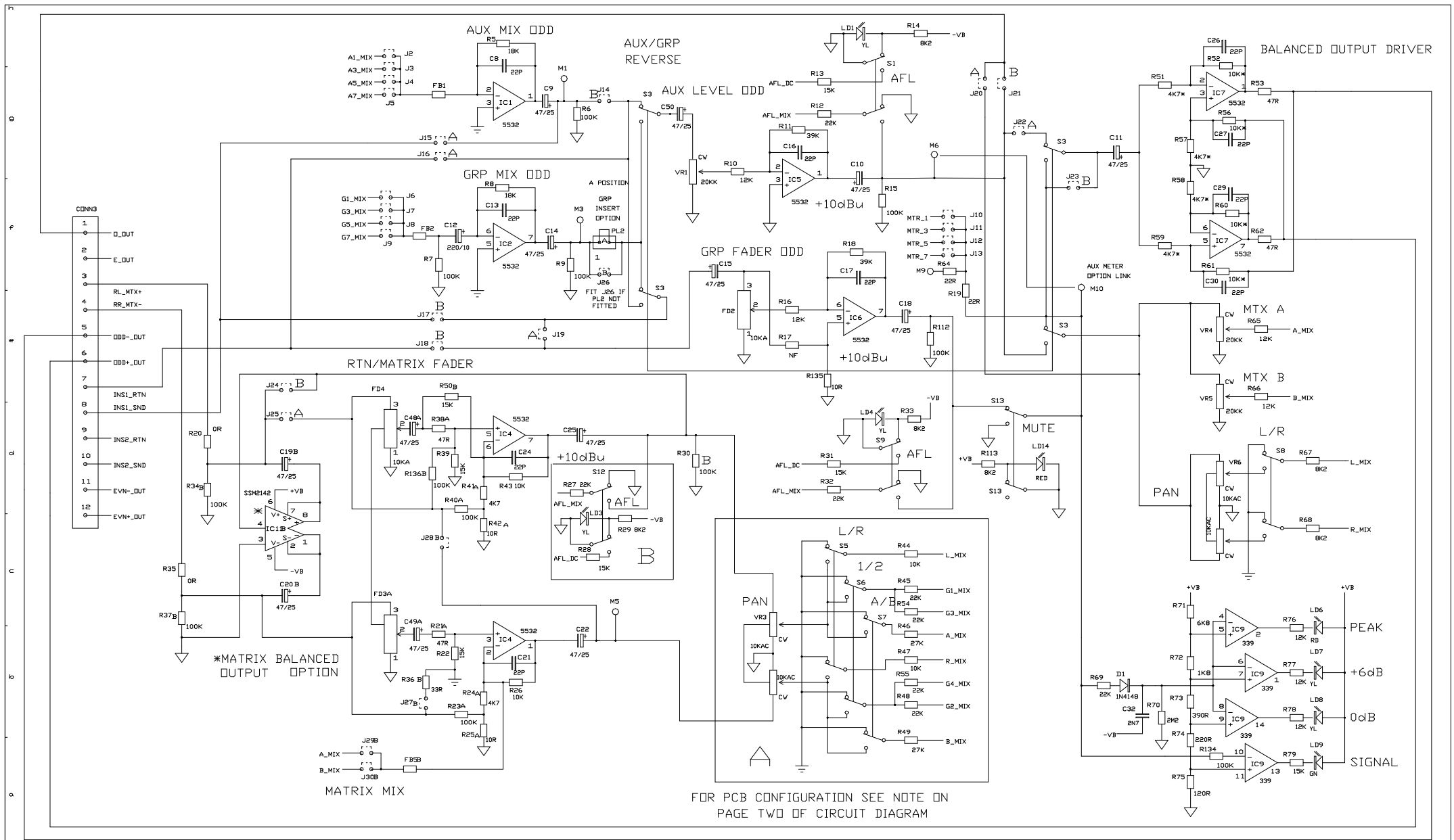
GRP 5/6 GRP 7/8

16 WAY MASTER
 RIBBON HARNESS METER

CONNECTOR PCB
 RIBBON HARNESS







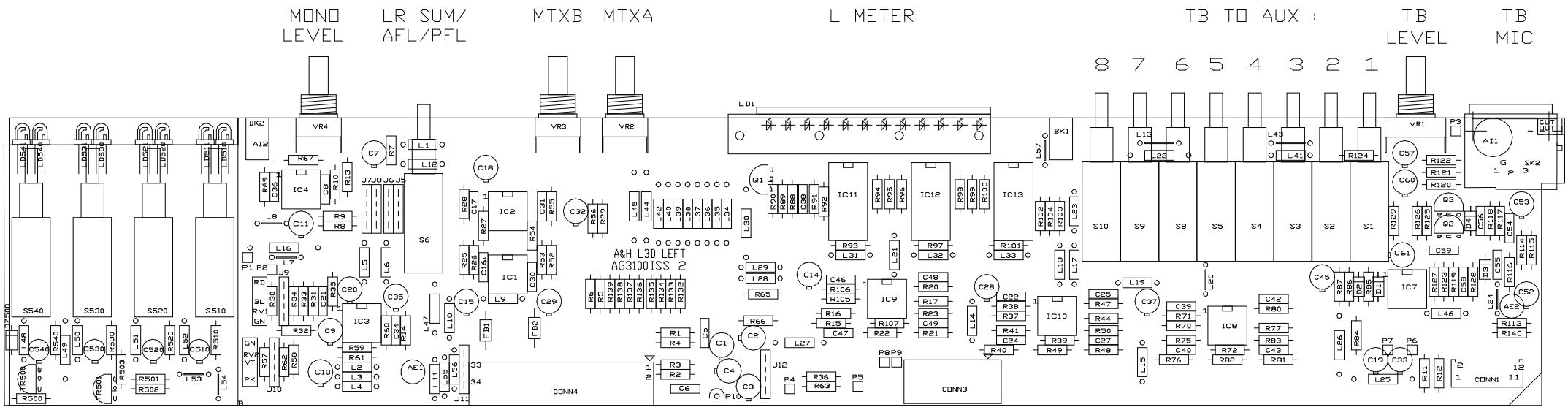
FOR PCB CONFIGURATION SEE NOTE ON PAGE TWO OF CIRCUIT DIAGRAM

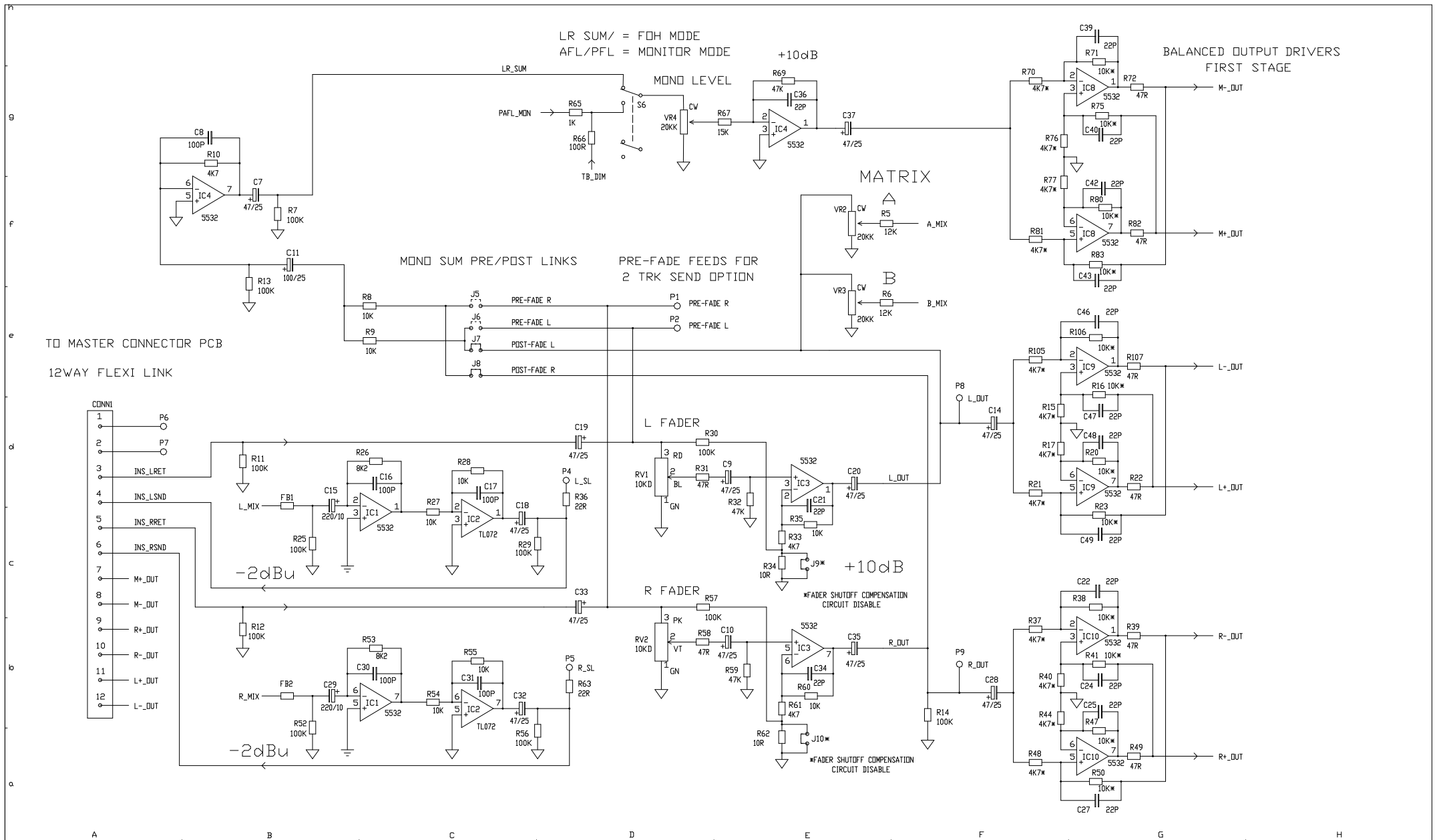
ISS.	REVISION	BY	DATE
2	ORIGIN	DRP	11-4-97
3	RES VAL. CHANGED IC5&6 NOW 5532	DRP	1-8-97
4	CAPACITOR CHANGES	AAT26	03-98
4.1	METER GLOW MODS.	DWD20	06-00

NOTES
1. RESISTORS MARKED * ARE 1% ALL OTHERS ARE 5% 1/4W UNLESS OTHERWISE MARKED
2. ELECTROLYTIC CAPACITORS ARE 7% VOLTS

UNIT TITLE	L3D PAGE 1 OF 2
DRAWING TITLE	GROUP CIRCUIT
	PCB AG2672

MANUFACTURED IN ENGLAND BY	ALLEN & HEATH
DRAWING No.	C2672
ISSUE	4.1
	A2



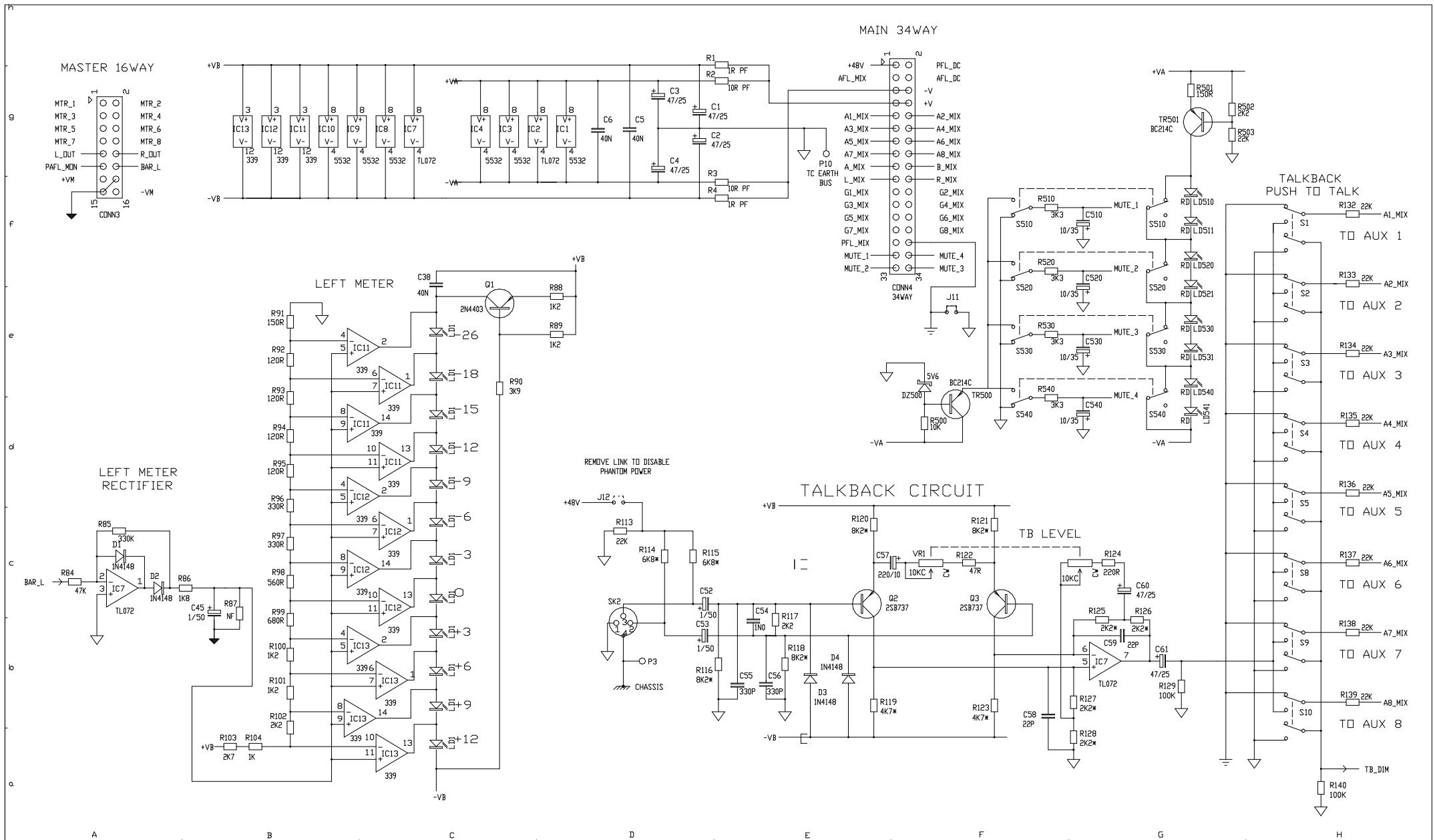


ISS.	REVISION	BY	DATE	NOTES
1	ORIGIN	AAT	06-05-97	
2	VALUE CHANGES	DRP	12-8-97	
3	VALUE CHANGES	DWD	26-03-98	
4	VALUE CHANGES	DWD	02-12-98	
4.1	METER GLOW MOD.	DWD	20-06-00	

NOTES
1. RESISTORS MARKED * ARE 1% ALL OTHERS ARE 5% 1/4W UNLESS OTHERWISE MARKED
2. ELECTROLYTIC CAPACITORS ARE 10% TOLERANCE

UNIT TITLE	L3D
DRAWING TITLE	LEFT PCB
SHEET 1 OF 2	

MANUFACTURED IN ENGLAND BY	ALLEN & HEATH
DRAWING No.	C3100
ISSUE	4.1
	A2



ISS.	REVISION	BY	DATE	NOTES
1	ORIGIN	AAT	06-05-97	
2	VALUE CHANGES	DRP	12-8-97	
3	VALUE CHANGES	DWD	26-03-98	
4	VALUE CHANGES	DWD	02-12-98	
4.1	METER GLOW MOD.	DWD	20-06-00	

NOTES

- RESISTORS MARKED * ARE 1% ALL OTHERS ARE 5% 1/4W UNLESS OTHERWISE MARKED
- ELECTROLYTIC CAPACITORS ARE 10% TOLERANCE

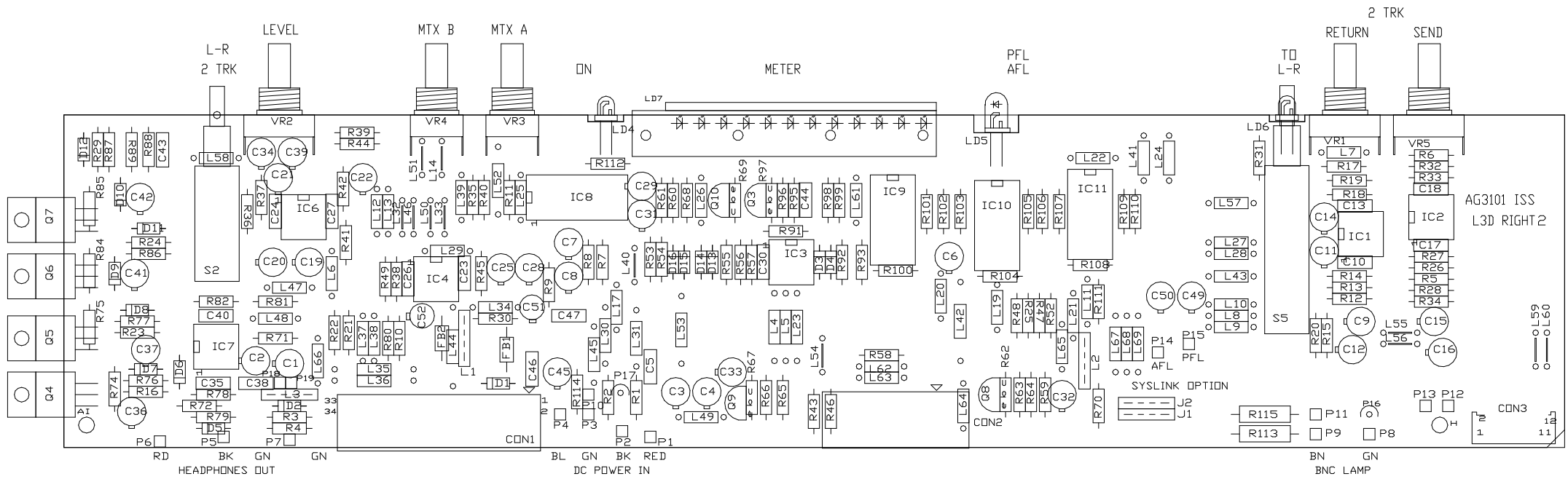
UNIT TITLE
L3D

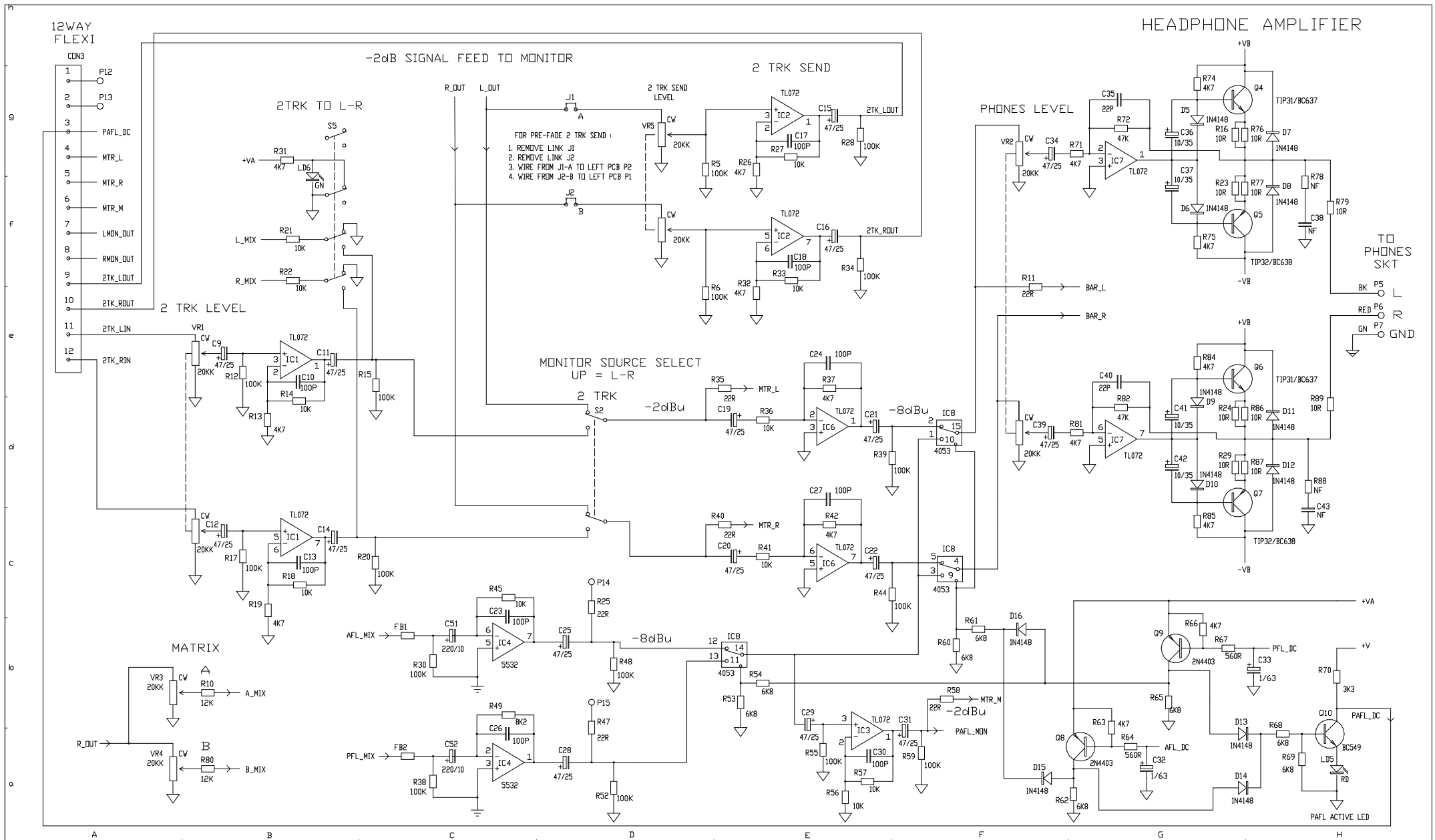
DRAWING TITLE
LEFT PCB

SHEET 2 OF 2

MANUFACTURED IN ENGLAND BY
ALLEN & HEATH

DRAWING No. C3100 ISSUE 4.1 A2



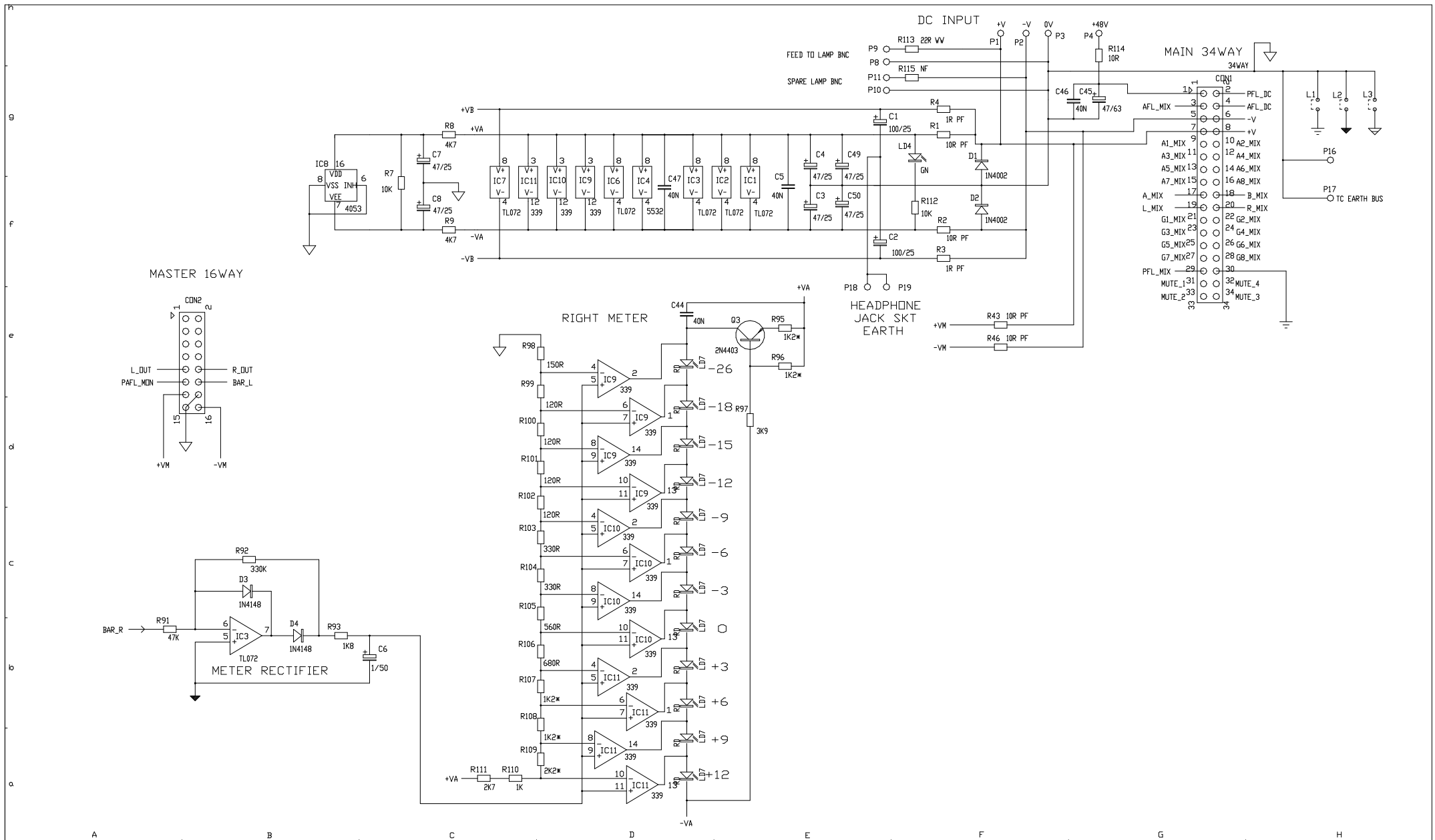


ISS.	REVISION	BY	DATE	NOTES
1	ORIGIN	AAT15	8-97	
2	CROSSTALK MODS.	DWD2	12-99	
2.1	METER GLOW MOD.	DWD20	06-00	

NOTES
1. RESISTORS MARKED * ARE 1% ALL OTHERS ARE SZ 1/4W UNLESS OTHERWISE MARKED
2. ELECTROLYTIC CAPACITORS ARE 10V/50%T

UNIT TITLE	L3D
DRAWING TITLE	RIGHT PCB
SHEET 1 OF 2	

MANUFACTURED IN ENGLAND BY	ALLEN & HEATH
DRAWING No.	C3101
ISSUE	2.1A2

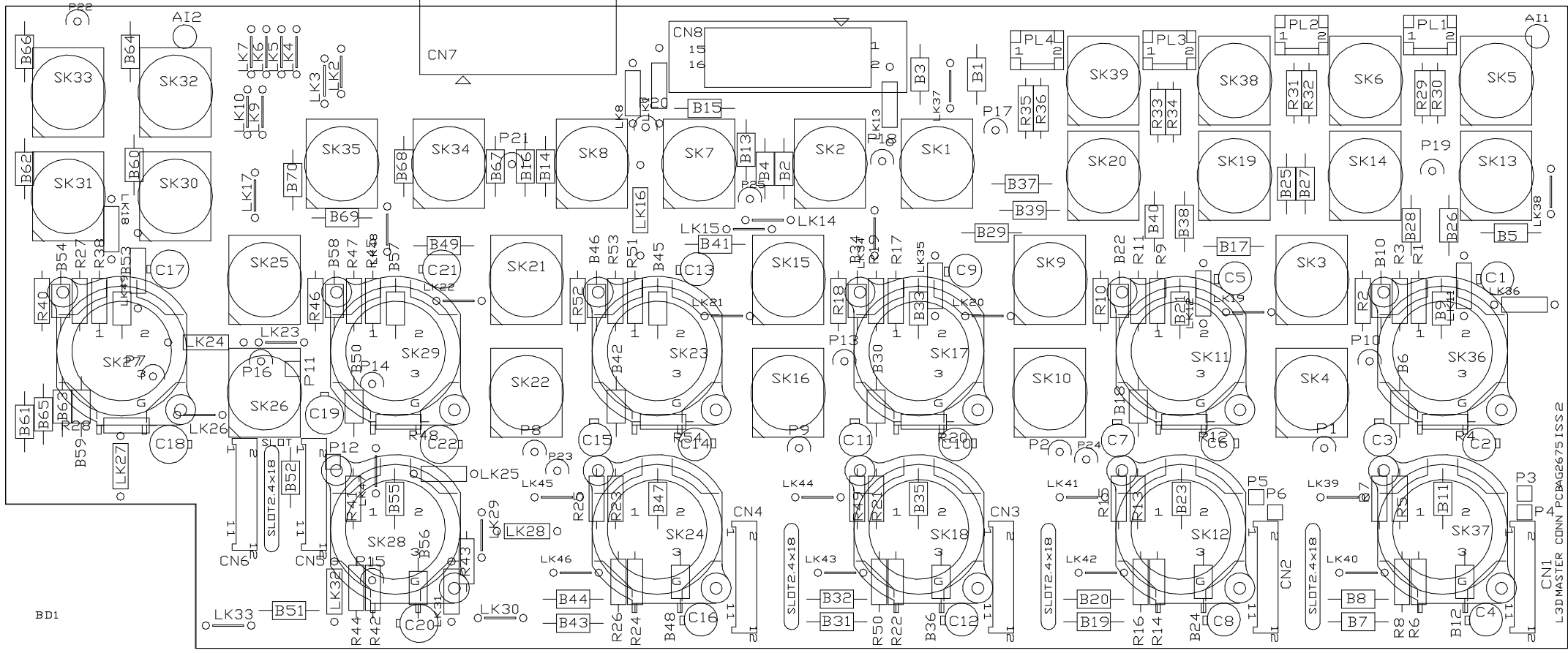


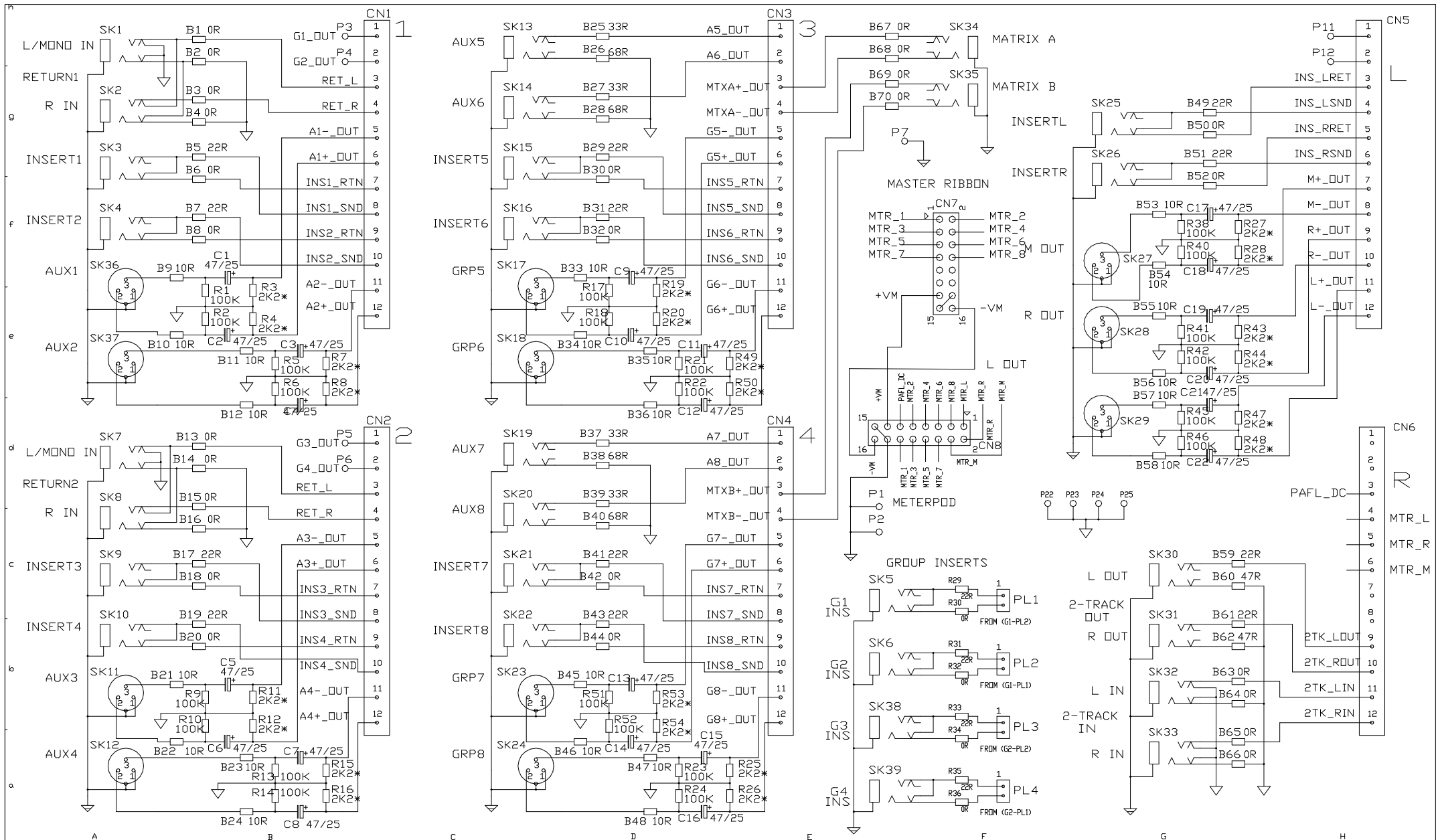
ISS.	REVISION	BY	DATE
1	ORIGIN	AAT	15-8-97
2	CROSSTALK MODS.	DWD	2-12-99
2.1	METER GLOW MOD.	DWD	20-06-00

NOTES
1. RESISTORS MARKED * ARE 1% ALL OTHERS ARE SZ 1/4W UNLESS OTHERWISE MARKED
2. ELECTROLYTIC CAPACITORS ARE 1% VOLTAGE

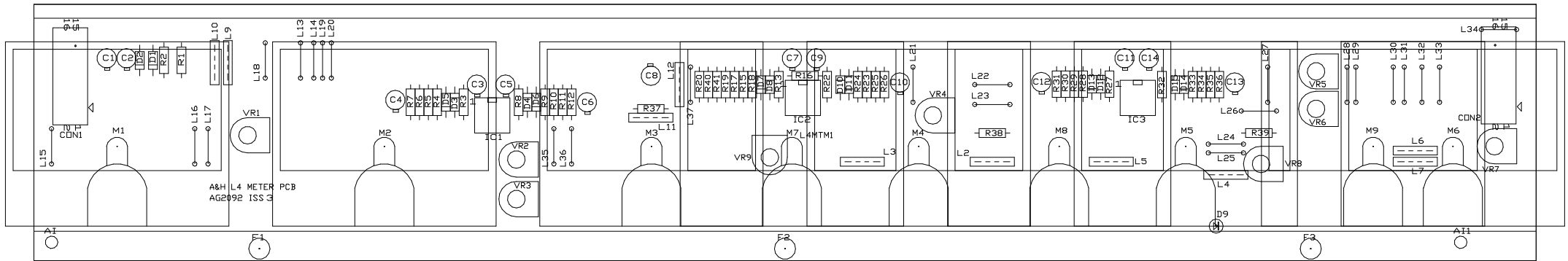
UNIT TITLE	L3D
DRAWING TITLE	RIGHT PCB

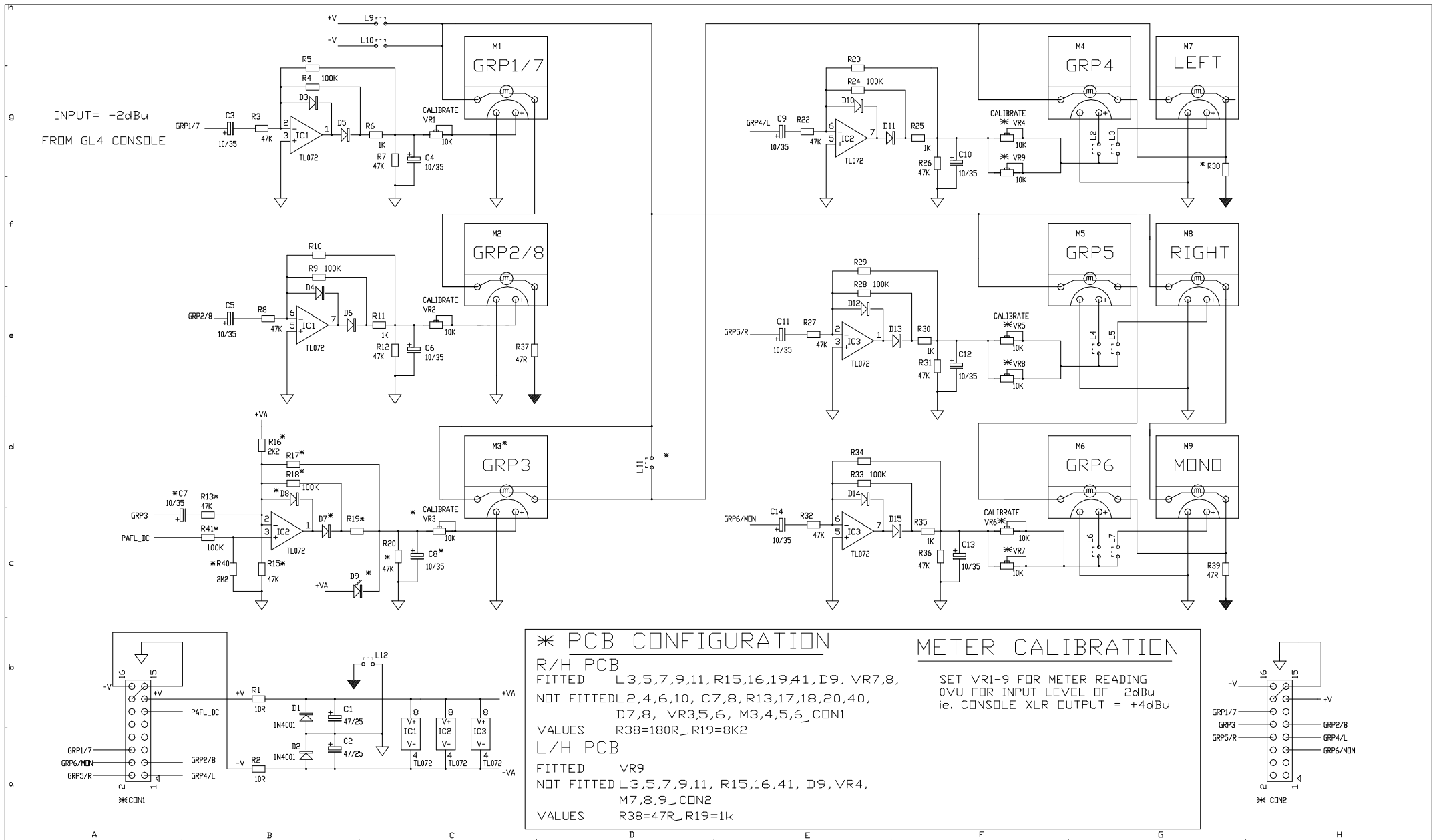
MANUFACTURED IN ENGLAND BY	ALLEN & HEATH
DRAWING No.	C3101
ISSUE	2.1
	A2



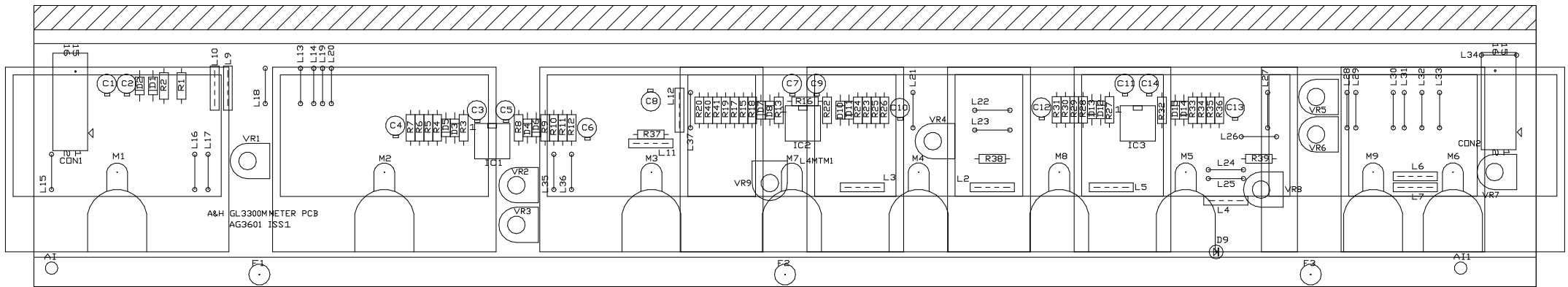


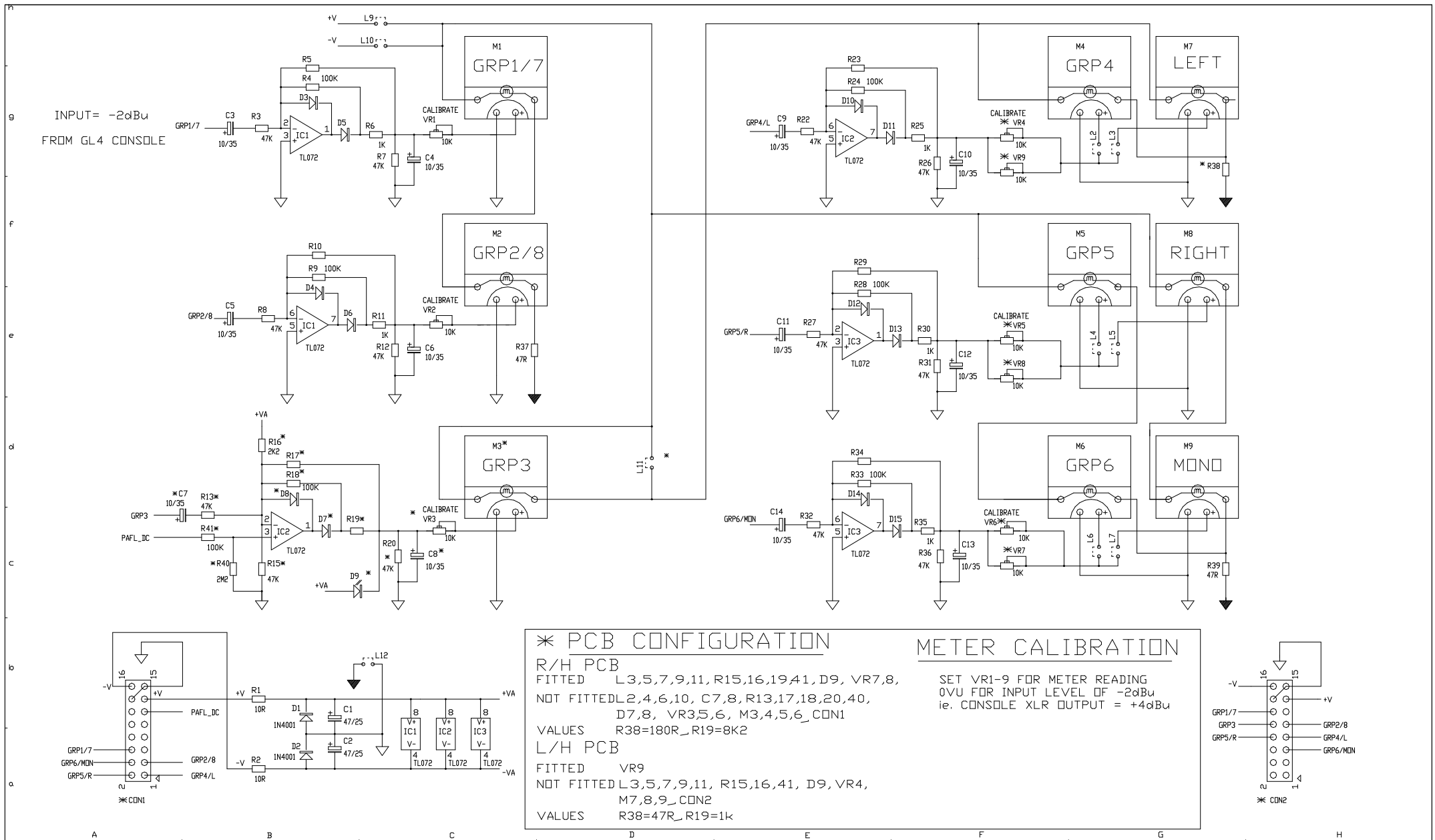
ISS.	REVISION	BY DATE	NOTES	UNIT TITLE	MANUFACTURED IN ENGLAND BY
A	ORIGIN	AAT27-06-96	1. RESISTORS MARKED * ARE 1% ALL OTHERS ARE 5% 1/4W UNLESS OTHERWISE MARKED	L3D	ALLEN & HEATH
1	PRODUCTION	AAT28-04-97		DRAWING TITLE MASTER CONNECTOR PCB	
2	EARTHING SPLIT	AAT23-07-99	2. ELECTROLYTIC CAPACITORS ARE 1% VOLTS	CIRCUIT DIAGRAM	DRAWING No. C2675
				PCB TYPE AG2675	ISSUE 2
					A2





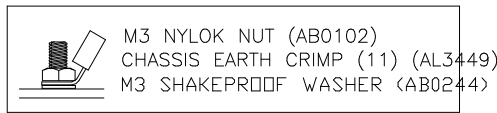
ISS.	REVISION	BY DATE	NOTES	UNIT TITLE	MANUFACTURED IN ENGLAND BY
1	ORIGIN PRODUCTION	ARJ1-8-94 DRP16-9-94	1. ALL RESISTORS ARE 5% 1/4W UNLESS OTHERWISE MARKED 2. ELECTROLYTIC CAPACITORS ARE 7F/VOLTS 3. ALL DIODES 1N4148 UNLESS OTHERWISE MARKED	GL4 CIRCUIT DIAGRAM METER PCB FOR PCB AG2092	ALLEN & HEATH DRAWING No. C2092 ISSUE 1





ISS.	REVISION	BY DATE	NOTES	UNIT TITLE	MANUFACTURED IN ENGLAND BY
1	PRODUCTION	AAT08-02-99	1. ALL RESISTORS ARE 5% 1/4W UNLESS OTHERWISE MARKED 2. ELECTROLYTIC CAPACITORS ARE 1%VOLT 3. ALL DIODES 1N4148 UNLESS OTHERWISE MARKED	GL3300M CIRCUIT DIAGRAM METER PCB FOR PCB AG3601	ALLEN & HEATH DRAWING No. C3601 ISSUE 1

CHASSIS EARTH ARRANGEMENT

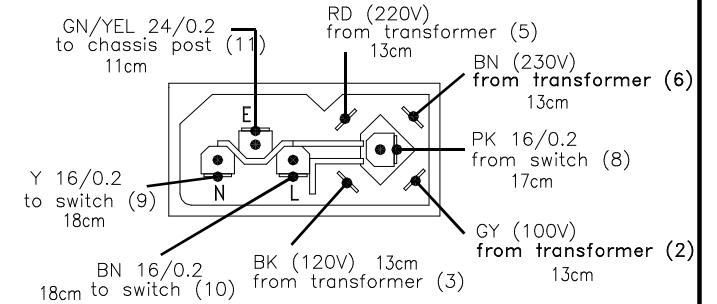


RECTIFIER FIXED TO HEAT SINK BRACKET WITH M3x16mm SCREW (AB0079) & M3 NUT LOCK (AB0102)

REGULATORS FIXED TO HEAT SINK BRACKET WITH M3x12mm PAN POZI SCREW (AB0078) M3 NUT LOCK (AB0102) & INSULATING KIT (AA0693)

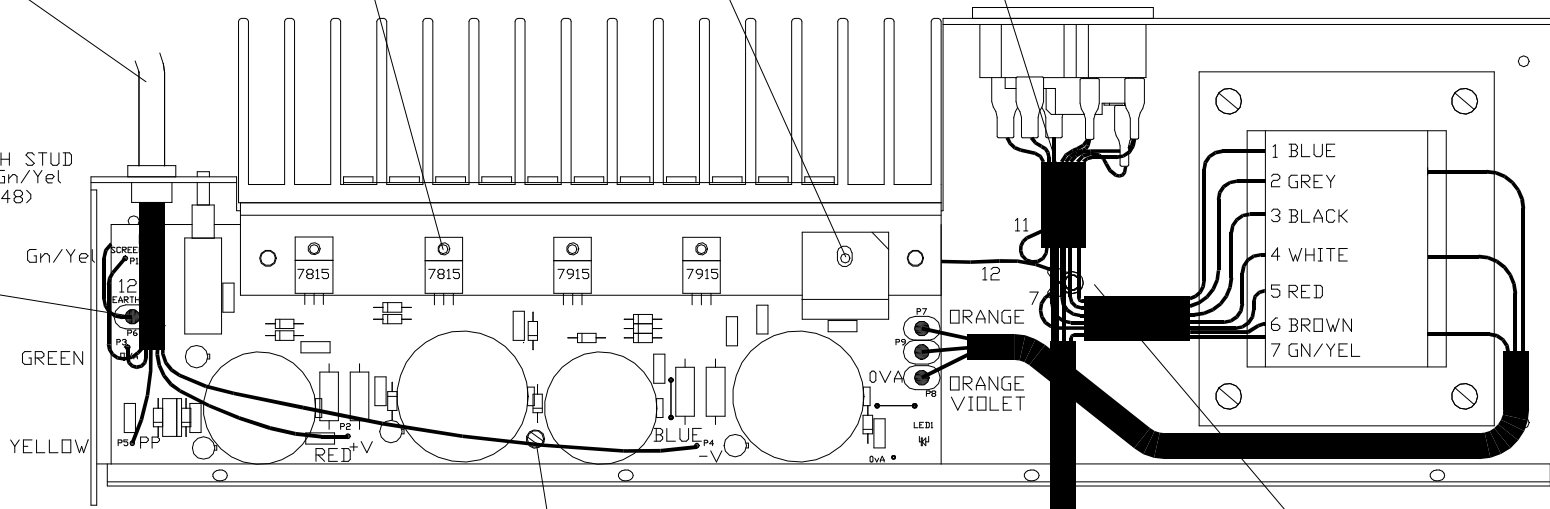
DC POWER CABLE REFER TO DRAWINGS: D283 & D207 FOR DETAIL

AC MAINS SOCKET WIRING (AL8105)



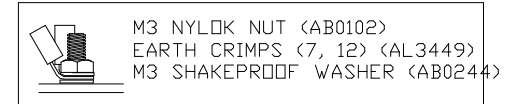
USE INSULATED CRIMPS (AL3068)

TO EARTH STUD 24/0.2 Gn/Yel (AH0348)



PCB MOUNTING SCREW M4x5mm (AB0261)

CHASSIS EARTH ARRANGEMENT



1/4" CRIMP RECEPTACLE INSULATED (AL0381)

ISSUE	REVISION	BY	DATE
1	ORIGIN	IMcB	19/1/96
2	WIRING CHANGES FOR NEW IEC INLET	IMcB	19/3/99

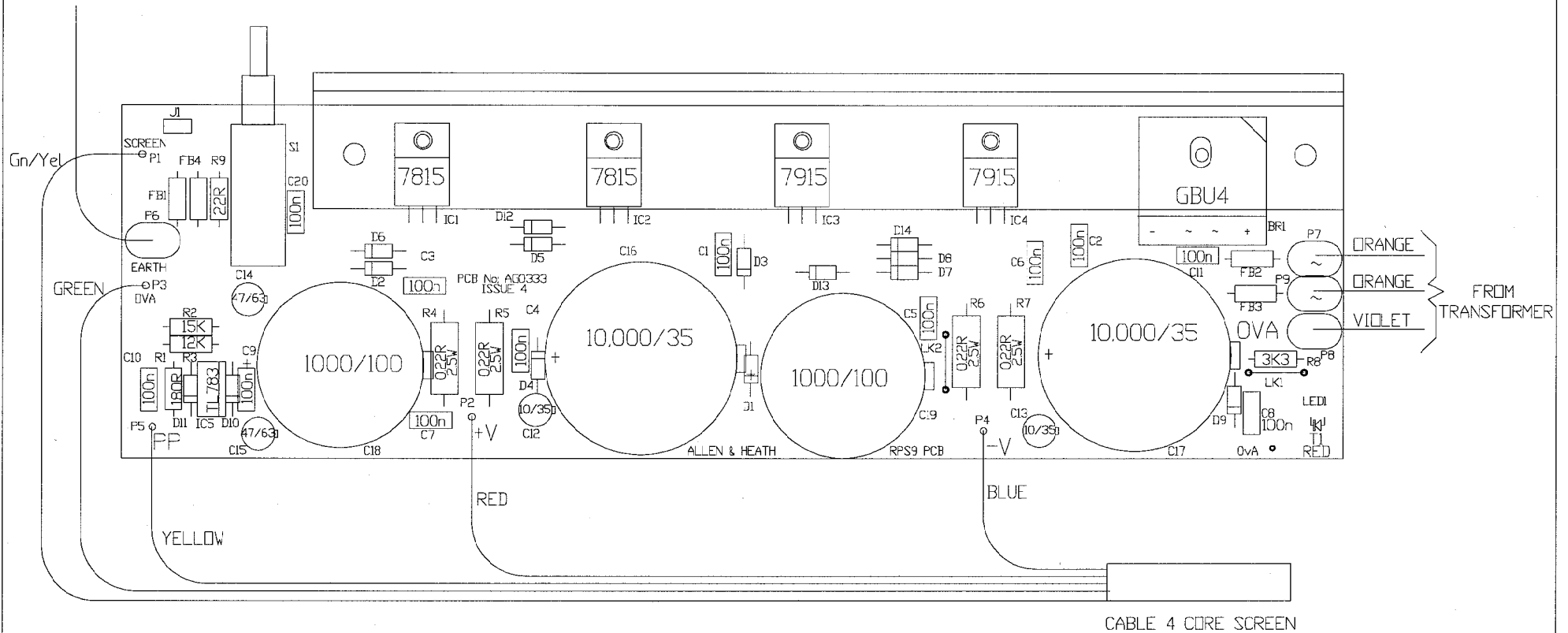
STANDARD NOTES
ALL DIMENSIONS IN mm
DO NOT SCALE DRAWING

NOTES
REFER TO DRAWING No: D283 FOR PCB WIRING AND COMPONENT LAYOUT.
REFER TO DRAWING No: D207 FOR POWER SUPPLY CIRCUIT DIAGRAM.

DRAWING TITLE
RPS9
POWER SUPPLY WIRING
ASSEMBLY No:
000-826

ALLEN & HEATH
ALLEN & HEATH
KERNICK INDUSTRIAL ESTATE,
PENRYN, CORNWALL. TR10 9LU
TEL: 01326 372070
FAX: 01326 377097
DRAWING No: M000-826
ISSUE 2

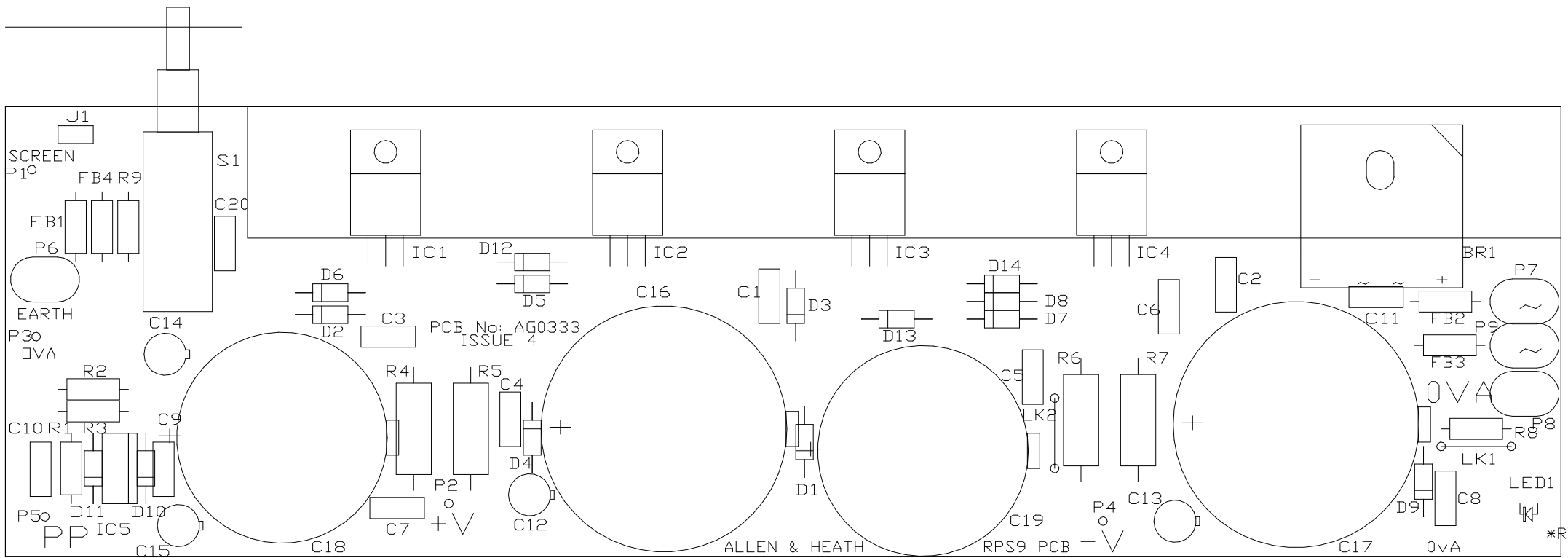
TO EARTH STUD
24/02 Gn/Yel



RPS9 POWER SUPPLY PCB

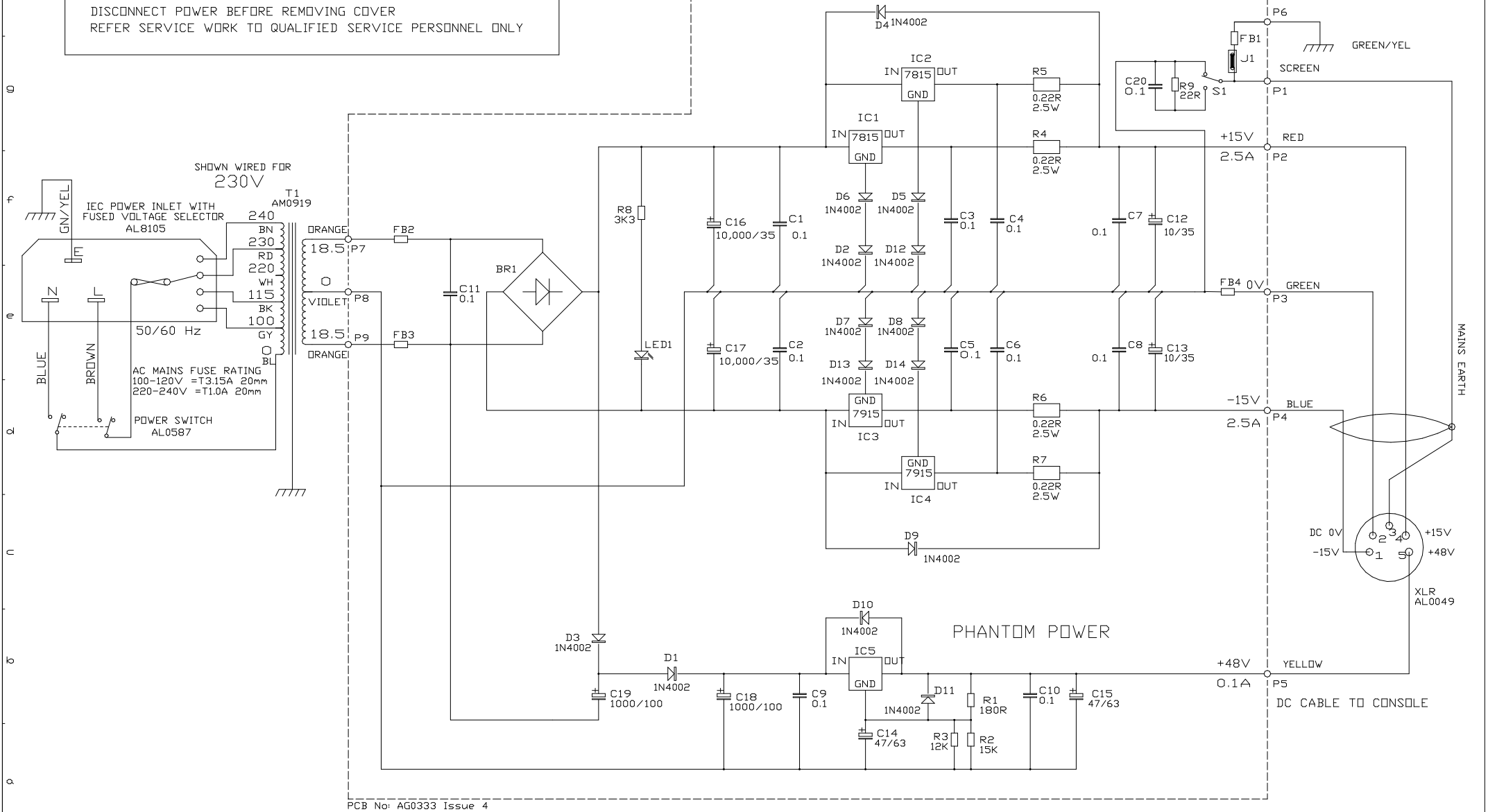
AG0333 ISSUE 4

ISSUE	REVISION	BY	DATE	NOTES	DRAWING TITLE	STOCK CODE	DRAWING No.	ISSUE
A	ORIGIN	IMCB	17-2-94	ALL DIODES ARE 1N4002 ALL FERRITE BEADS AXIAL TYPE ALL LINKS ARE TC WIRE ALL RESISTORS ARE 5% 1/4W UNLESS OTHERWISE SPECIFIED. ELECTROLYTIC CAPACITORS ARE SPECIFIED IN uF/VOLTS.	RPS9 POWER SUPPLY PCB ASSEMBLY	000-327	ALLEN & HEATH ALLEN & HEATH LTD. KERNICK INDUSTRIAL ESTATE, PENRYN, CORNWALL TR10 9LJ. TEL. 0326 372070 FAX. 0326 377097	3
1	PRODUCTION	IMCB	13-4-94					
2	ALTERATIONS TO HEAT SINK BRACKET & PCB FIXINGS.	IMCB	7-6-94					
3	PCB REISSUED.	IMCB	29-6-94					



DANGER - HIGH VOLTAGE !

DISCONNECT POWER BEFORE REMOVING COVER
REFER SERVICE WORK TO QUALIFIED SERVICE PERSONNEL ONLY



PCB No: AG0333 Issue 4

ISS.	REVISION	BY	DATE	UNIT TITLE		MANUFACTURED IN ENGLAND BY	
P1	REDRAWN FROM D196	ISS.2	IMcB 19-1-93	RPS9 POWER SUPPLY.		ALLEN & HEATH	
P2	CIRCUIT MODS		IMcB 14-7-93				
P3	DIODES ADDED		IMcB 3-12-93	DRAWING TITLE		DRAWING No. D207 ISSUE 4	
1	PRODUCTION		IMcB 12-4-94				
2	ISSUE 4 PCB		IMcB 29-6-94				
3	MAINS SWITCH ADDED		IMcB 4-1-95				
4	MAINS INLET IEC CHANGED	DWD	22-3-99	CIRCUIT DIAGRAM			

CAPACITORS ARE MICROFARAD/VOLTS
RESISTORS ARE 1/4W 5% UNLESS OTHERWISE MARKED
IC1,2,3,4 MOUNTED ON HEATSINK WITH INSULATING WASHERS
CLIP-ON HEATSINK ON IC5
BRIDGE RECTIFIER BOLTED ONTO HEAT SINK BRACKET

DRAWING TITLE
CIRCUIT DIAGRAM

MANUFACTURED IN ENGLAND BY
ALLEN & HEATH
DRAWING No. D207 ISSUE 4