

ALLEN & HEATH



GL4800

SERVICE INFORMATION

Publication AP6151

Introduction

This publication provides technical information on servicing the Allen & Heath **GL4800**. Included are internal layout drawing, block diagram and circuit schematics with board layouts and spare parts lists. Whilst we believe this information to be reliable we do not assume responsibility for inaccuracies. We also reserve the right to make changes in the interest of further product development.

Additional Resources

Allen & Heath web site	www.allen-heath.com	Product information Technical downloads Distribution contacts Company contacts
Technical support	support@allen-heath.com	See web for local contact
GL4800 User Guide	AP6150	Operating instructions Performance specification
GL4800 SYS-LINK Fitting Instructions	AP6152	Fitting instructions
GL4800 SYS-LINK Applications Note	AP6285	System Description Cabling Details

GL4800 Service Information

Issue status: gl4800_ap6151_1.doc

Print date: 01 July 2005

Copyright © 2005 Allen & Heath. All rights reserved

ALLEN&HEATH

Kernick Industrial Estate, Penryn, Cornwall, TR10 9LU, UK

<http://www.allen-heath.com>



Servicing Precautions – General Notes

- Service personnel:** Service work should be carried out by technically qualified service personnel only. Mains power is dangerous and can kill. Do not attempt to work on a linear or switched mode power supply if you are not suitably qualified to do so. Do not attempt to repair surface mount circuit assemblies unless you are suitably qualified and have the necessary facilities to do so. Replacement circuit assemblies can be ordered.
- Service facilities:** Ensure a suitably sized work surface is available. Ensure this is clear of dirt, debris and obstructions which may damage the equipment surfaces. Ensure adequate lighting. Use the correct tools for the job and ensure they are in good working order. Ensure all workshop safety requirements are adhered to.
- Service information:** Check that you have all the information you need before starting the service job. Refer to the Allen & Heath web site or contact Allen & Heath technical support for details on the latest information. Full technical information can be downloaded from the web site Distributor Zone (password required).
- Mains power:** Connect the equipment to mains power only of the type described in the user guide and marked on the rear panel. The power source must provide a good ground connection. Ensure you always use an isolation transformer when working on any mains power supply unit.
- Mains cord and fuse:** Use the correct power cord as supplied with the equipment. Do not remove or tamper with the ground connection in the power cord. Heed the Important Mains Plug Wiring Instructions printed in the user guide if it is necessary to rewire the mains cord. Always replace the equipment mains fuse with the correct type and rating as described in the user guide and marked on the equipment panel.
- Opening the unit:** Switch off and remove the mains power cord before opening the equipment. Ensure all power supply covers and safety shields are in place before applying power with the unit open for diagnostic fault finding.
- Closing the unit:** Before finishing, check the quality and accuracy of the service work carried out. Remove any dirt or debris as this may cause equipment failure in the future. Ensure all assemblies, harnesses and connectors are correctly aligned and plugged in. Ensure that jumper settings and control configurations are correctly set according to the requirements of the customer.
- Testing the unit:** Before operating the equipment, read and adhere to the Important Safety Instructions printed in the user guide. Test that the service work has been successfully carried out.
- Shipping the unit:** Use adequate packing such as the original packaging or purpose designed flight case if you need to ship the unit. To avoid injury to yourself or damage to the equipment take care when lifting, moving or carrying the equipment.

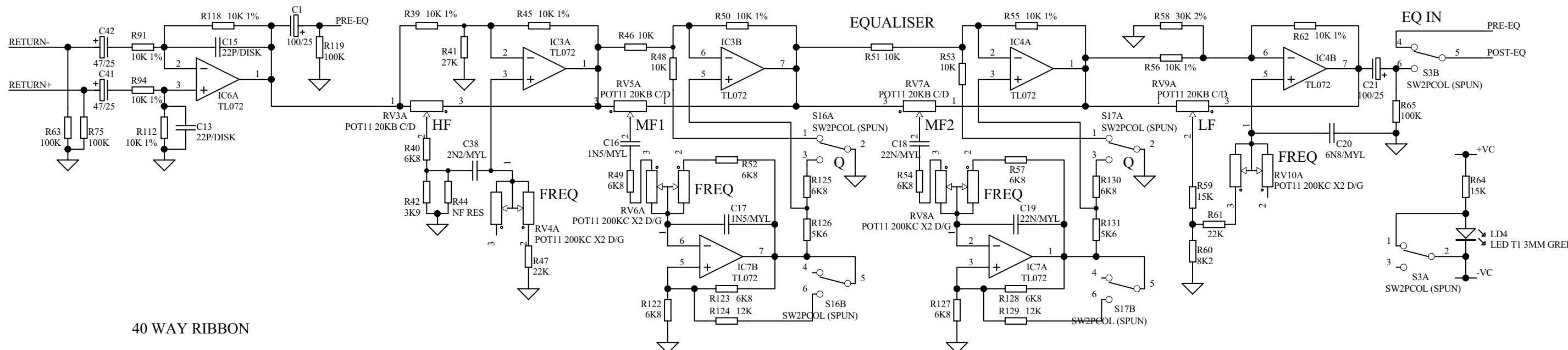
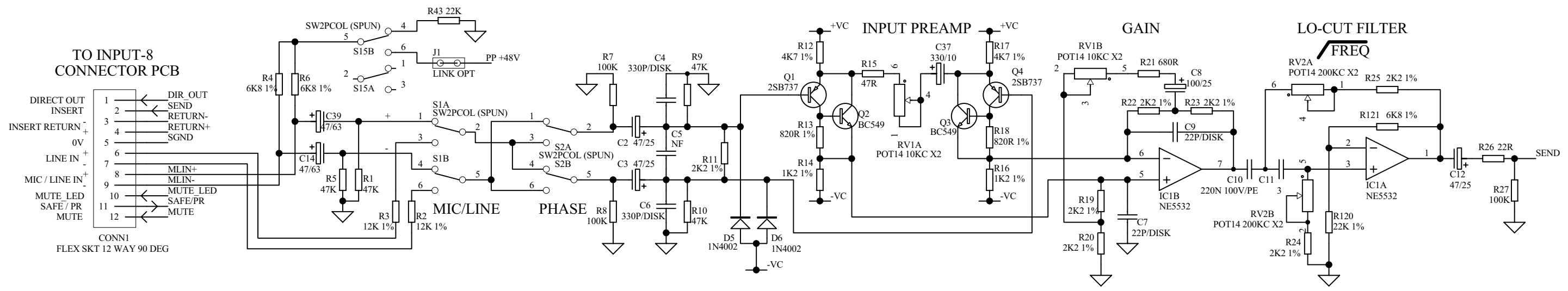


Servicing Notes – GL4800

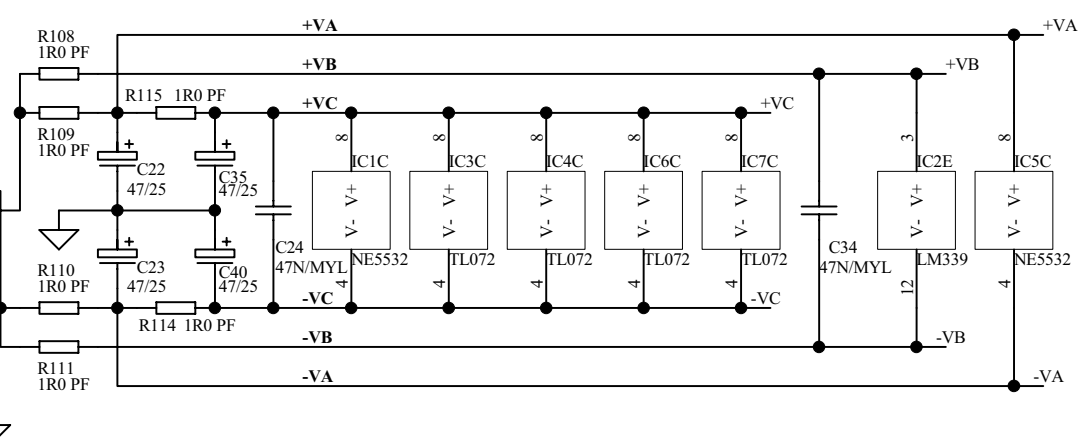
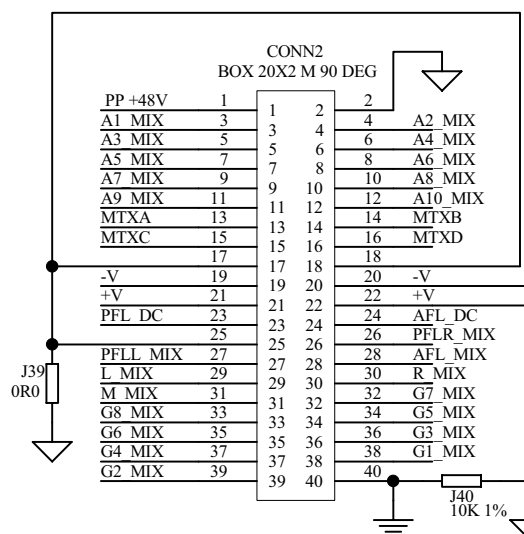
- User maintenance:** There are several user configurable jumper links inside. These are described in the user guide together with instructions on how to change the default settings.
- Technology:** The **GL4800** uses conventional thru-hole and SMT (surface mount) PCB technology. In certain cases it may be better to replace a faulty assembly rather than try to fix it without the appropriate tools and training. The console uses a rack mountable external linear power supply (RPS11). Due to the mains voltages present in the power supply, it should be serviced by suitably qualified personnel only.
- Operation:** To test the console make sure it is connected as described in the user guide. Check that the voltage setting on the power supply rear panel is correct for the local mains supply.
- Fault finding:** For effective fault diagnosis trace the signal flow through the circuit path. Refer to the system block diagram. Replacement circuit assemblies are available from Allen & Heath.

Contents Log

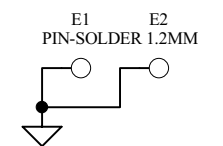
Internal Layout drawing	gl4800_layout_1.pdf
Surface and Main Parts	gl4800_parts_1.pdf
System Block Diagram	gl4800_blockdiagram_1.pdf
Master PCB	gl4800_002-165_master_2.pdf
Slave PCB	gl4800_002-167_slave_1.pdf
MPU PCB	gl4800_002-198_mpu_2.pdf
Mono Input PCB	gl4800_003-410_mono_input_2.1.pdf
Stereo Input PCB	gl4800_003-411_stereo_input_3.1.pdf
Group PCB (A,B & C)	gl4800_003-412_413_414_group_3.3.pdf
Mono PCB.....	gl4800_003-415_mono_3.2.pdf
8M Connector PCB.....	gl4800_003-416_8m_conn_2.pdf
4SM Connector PCB	gl4800_003-417_4sm_conn_2.pdf
4MS Connector PCB	gl4800_003-418_4ms_conn_2.pdf
8S Connector PCB	gl4800_003-419_8s_conn_2.pdf
Master Connector PCB.....	gl4800_003-420_master_conn_3.pdf
Power Connector PCB	gl4800_003-423_power_conn_b.pdf
Mix Amp Sub PCB	gl4800_003-452_mix_amp_sub_1.pdf
GL Series Meter PCB.....	glseries_meters_3.pdf



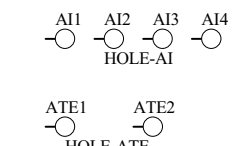
40 WAY RIBBON



AUDIO EARTH



AI & ATE HOLES



ALLEN&HEATH

Kernick Industrial Estate,
Penryn, Cornwall,
England. TR10 9LU
Tel: +44 (0)8707 556250
Fax: +44 (0)8707 556251

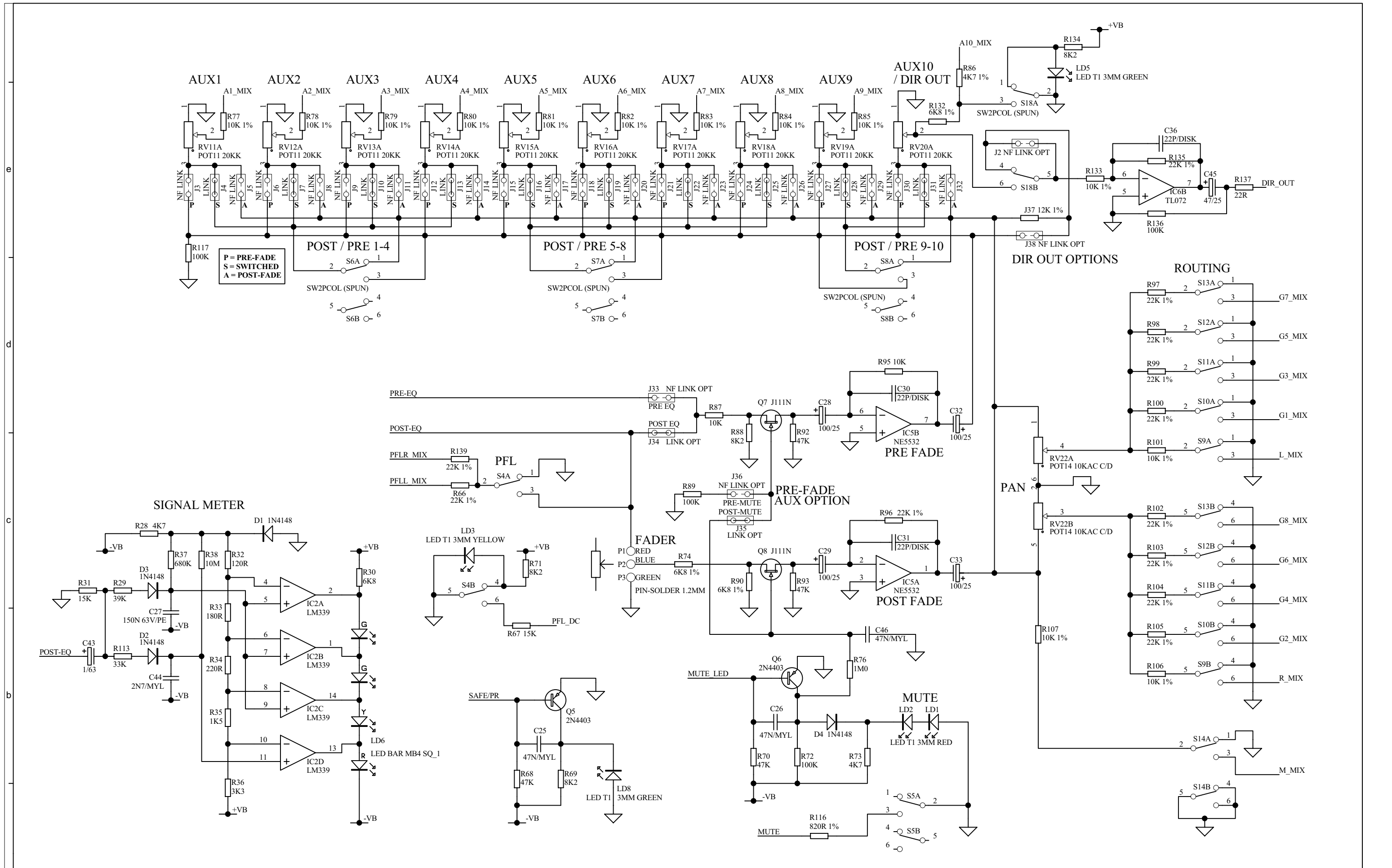
ISSUE	BY	DATE	CHK BY
2.1	AAT	22-03-05	XXX

FILE: C2621_2.1P1.SCH

PRINTED: 09:49:23 16-Jun-2005

TITLE: **GL4800 MONO INPUT**

PAGE:
DRG No: AG2621 ISSUE: 2.1 SHEET: 1 OF 2



ALLEN&HEATH

Kernick Industrial Estate,
Penryn, Cornwall,
England. TR10 9LU
Tel: +44 (0)8707 556250
Fax: +44 (0)8707 556251

ISSUE	BY	DATE	CHK BY
2.1	AAT	22-03-05	XXX

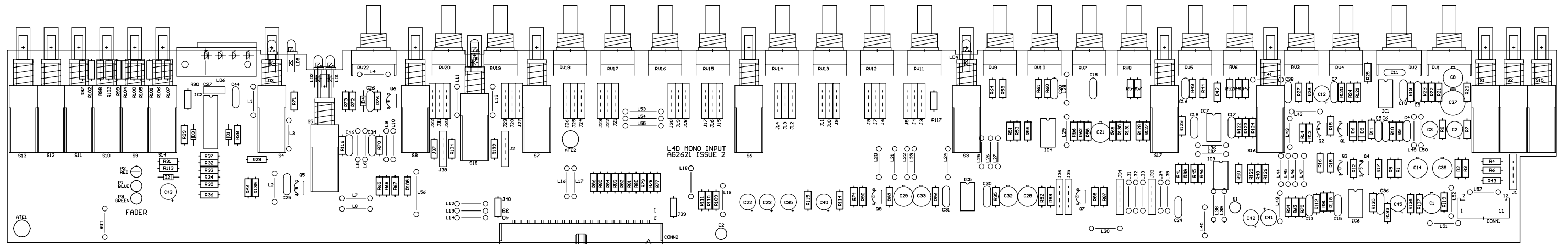
FILE: C2621_2.1P2.SCH

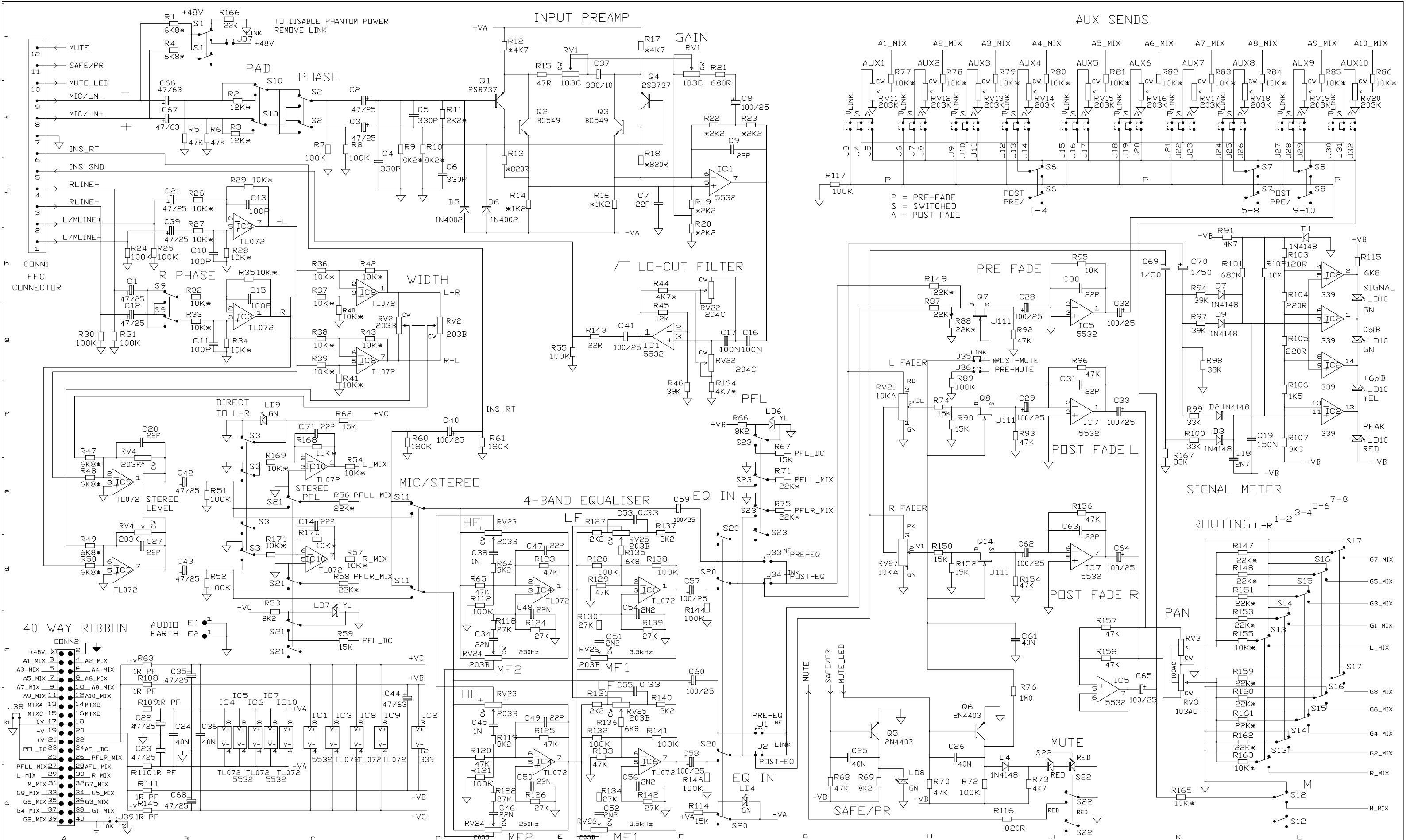
TITLE: **GL4800 MONO INPUT**

PAGE:

PRINTED: 09:49:24 16-Jun-2005

DRG No: AG2621 ISSUE: 2.1 SHEET: 2 OF 2





ISS	REVISION	BY	DATE	NOTES
A	ORIGIN	DLP	19-7-96	1. RESISTORS MARKED * ARE 1% ALL OTHERS ARE 5% 1/4W UNLESS OTHERWISE MARKED
B	VALUE CHANGES IC10+R+C ADDED	DRP	6-9-96	
1	PRODUCTION	DRP	17-10-96	2. ELECTROLYTIC CAPACITORS ARE 7V/VOLTS
2	BAR LED COLOURS ADDED	DRP	23-10-96	
3	PCB CHANGE	AAT	17-12-01	
3.1	GL4800 CHG J39	AAT	01-07-05	

UNIT TITLE **GL4800**

DRAWING TITLE **STEREO INPUT CIRCUIT DIAGRAM**

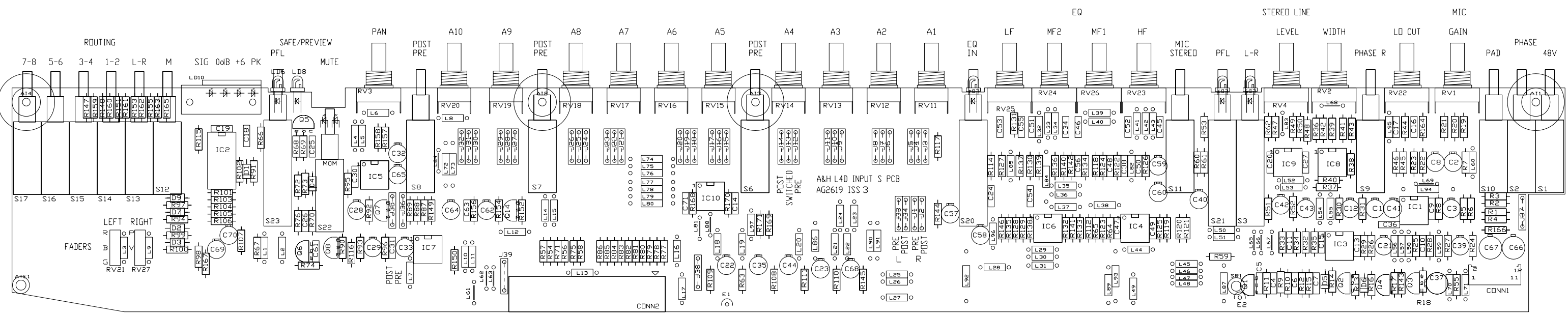
PCB TYPE AG2619

MANUFACTURED IN ENGLAND BY **ALLEN & HEATH LTD**

DRAWING No. **C2619** ISSUE **3 1**

MANUFACTURED IN ENGLAND BY **ALLEN & HEATH LTD**

DRAWING No. **C2619** ISSUE **3 1**



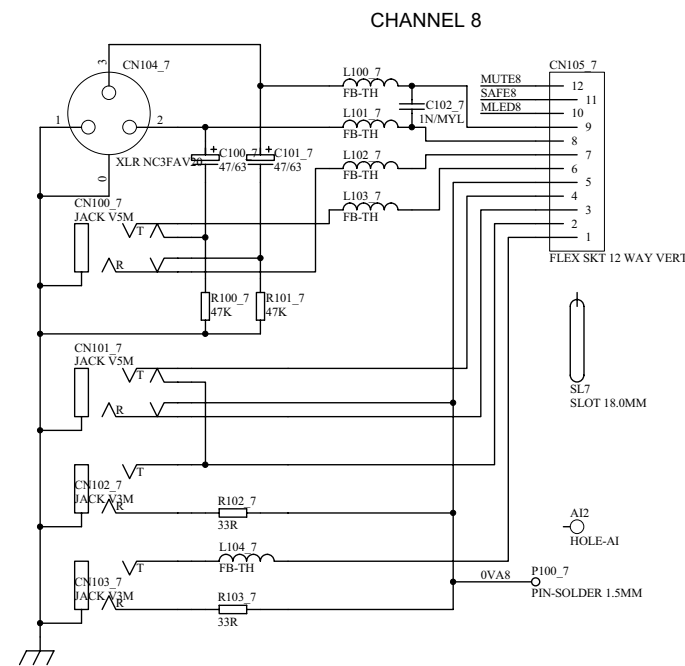
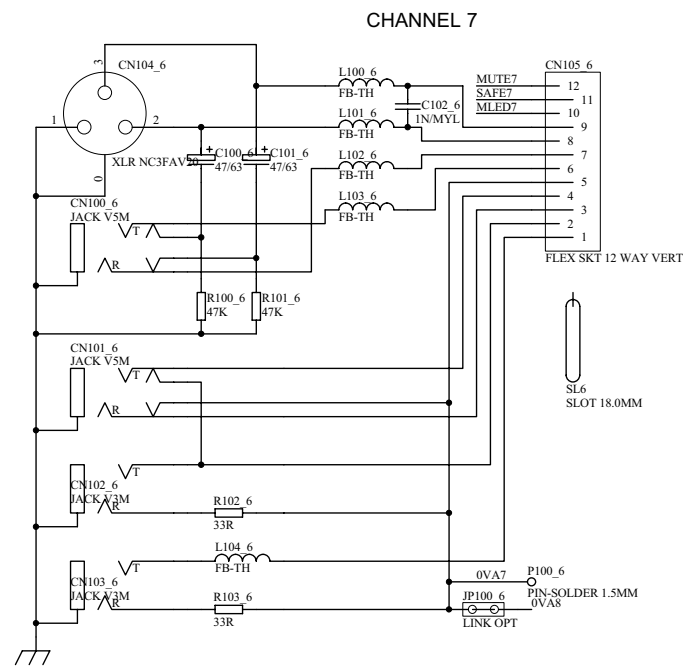
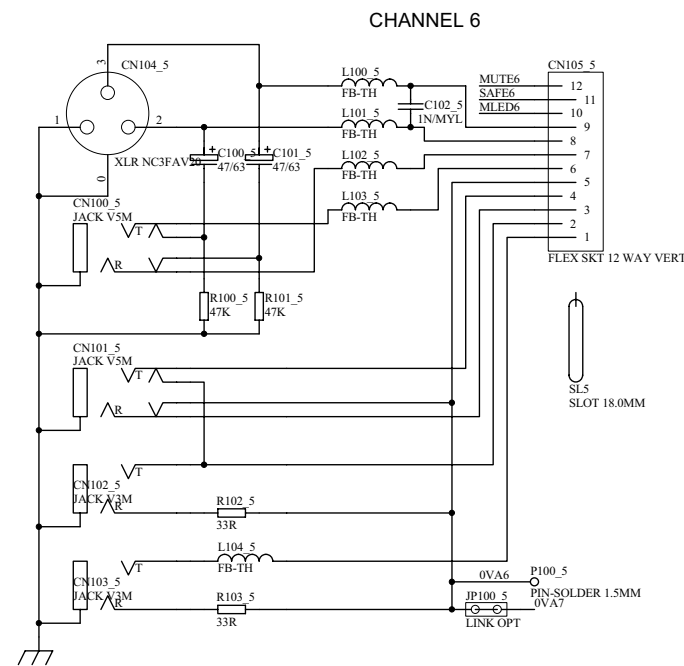
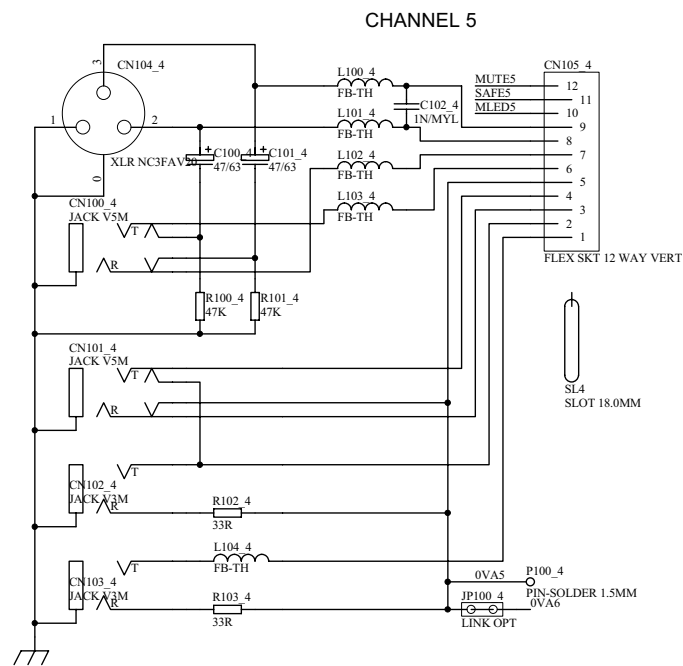
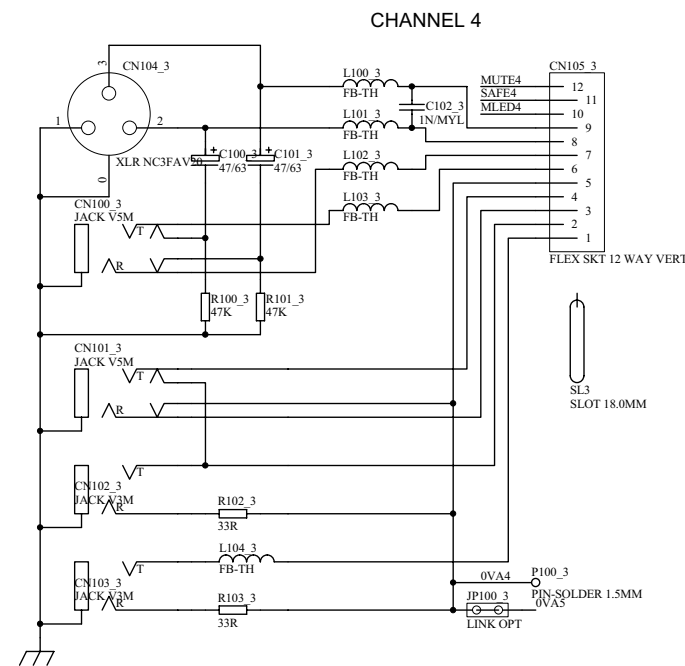
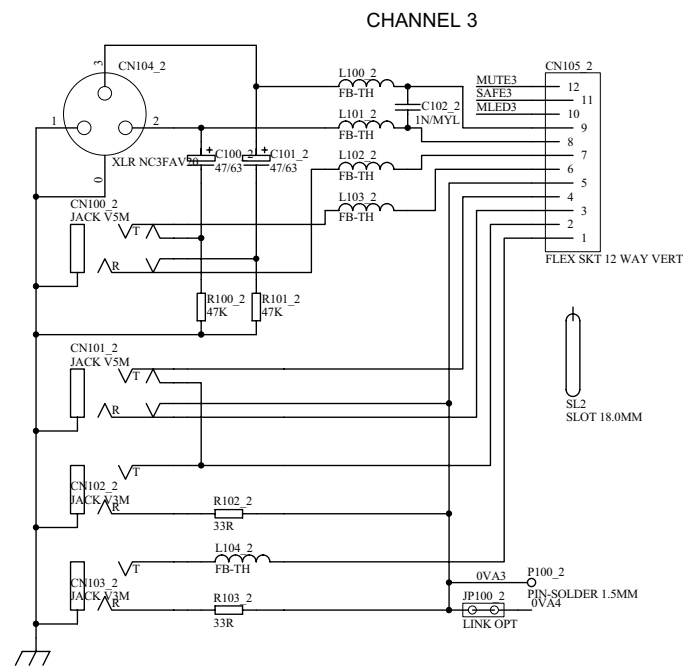
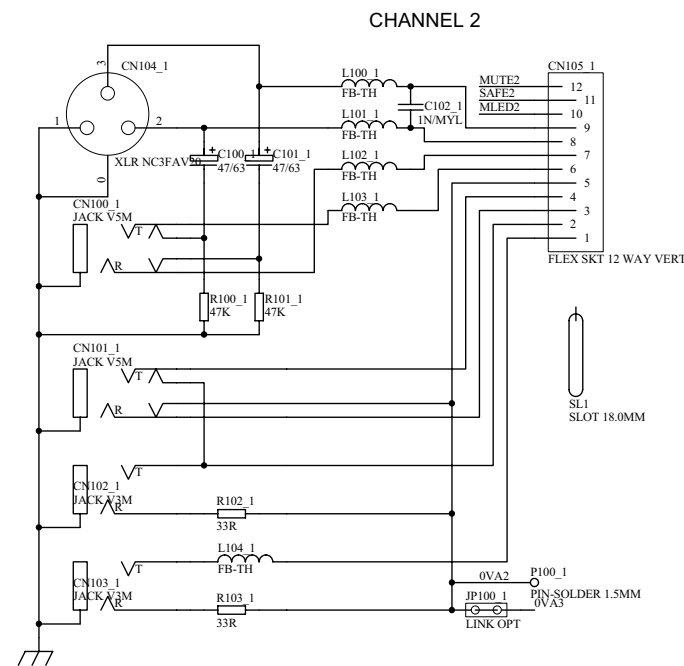
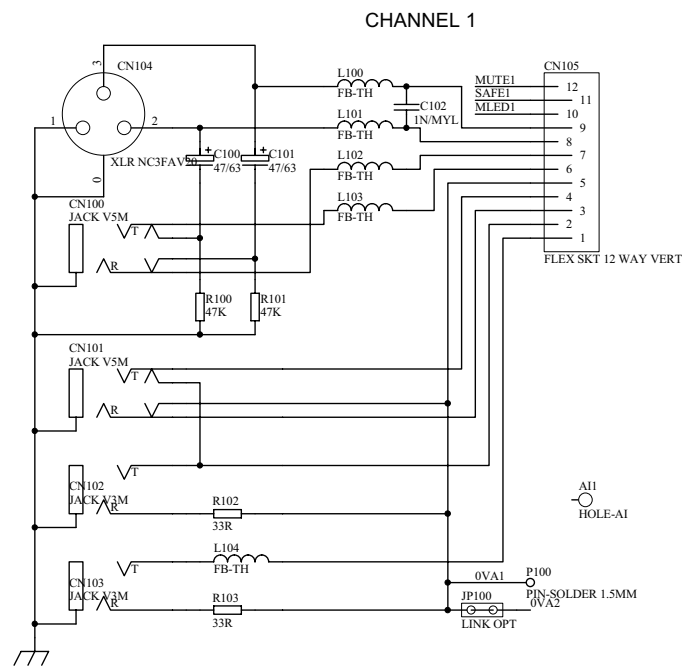
PRE-FADE AUX PRE/POST MUTE
LINK OPTION

40 WAY MAIN RIBBON

AUX PRE/POST
LINK OPTIONS

PRE-FADE AUX PRE/POST EQ
LINK OPTION

+48V PHANTOM POWER
LINK OPTION



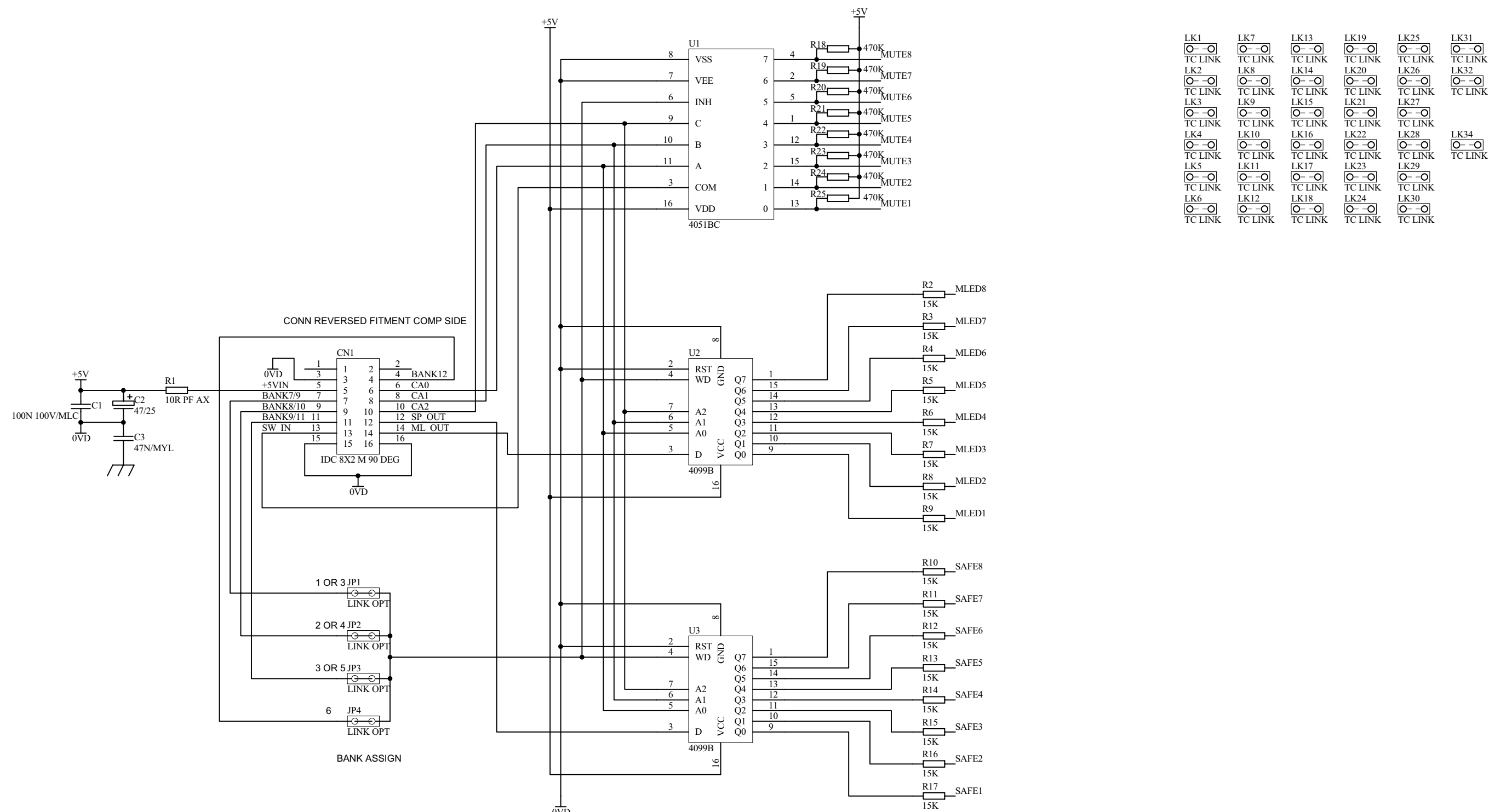
ALLEN&HEATH
 Kernick Industrial Estate,
 Penryn, Cornwall,
 England. TR10 9LU
 Tel: +44 (0)8707 556250
 Fax: +44 (0)8707 556251

ISSUE	BY	DATE	CHK BY
1	AAT	05-01-05	XXX
2	AAT	23-03-05	XXX

FILE: C6075_2P1.Sch	PRINTED: 12:03:02 10-May-2005
---------------------	-------------------------------

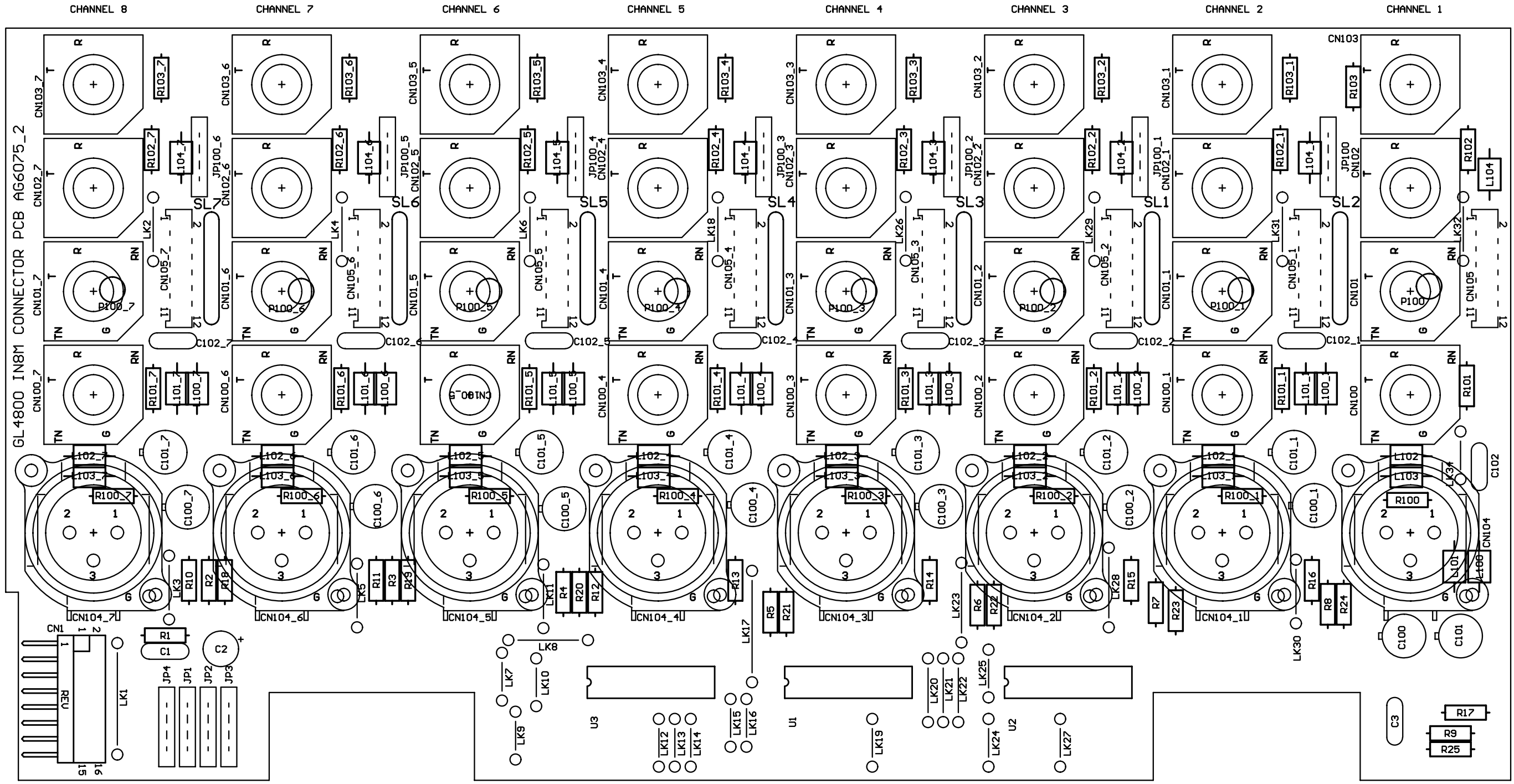
TITLE: GL4800 IN8M CONN PCB
PAGE:
DRG No: C6075 ISSUE: 2 SHEET: 1 OF 2

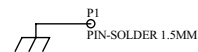
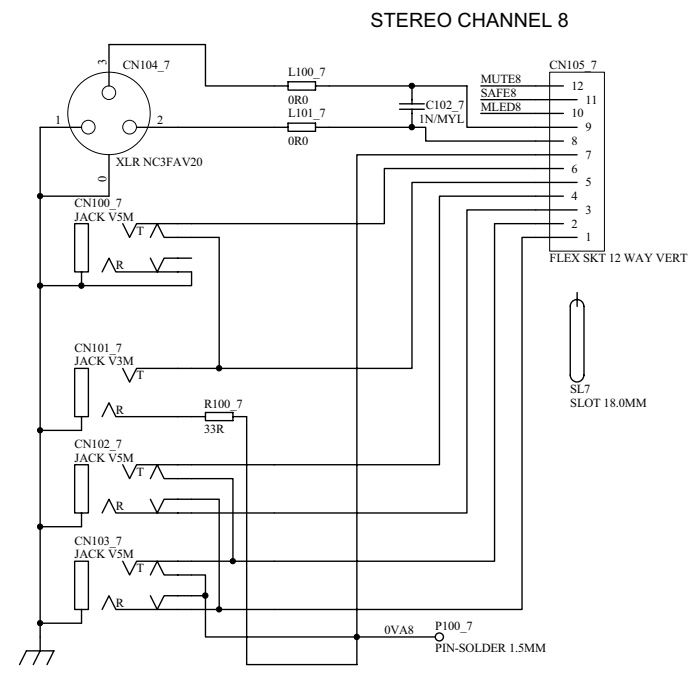
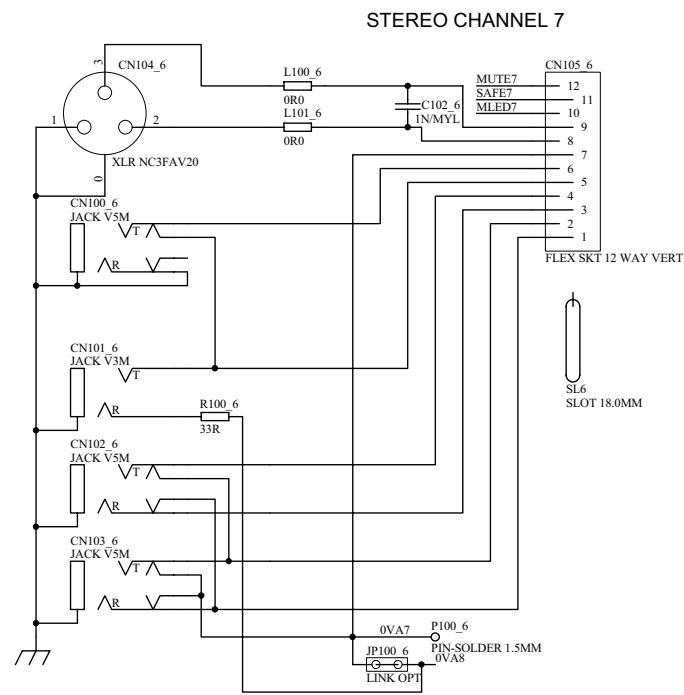
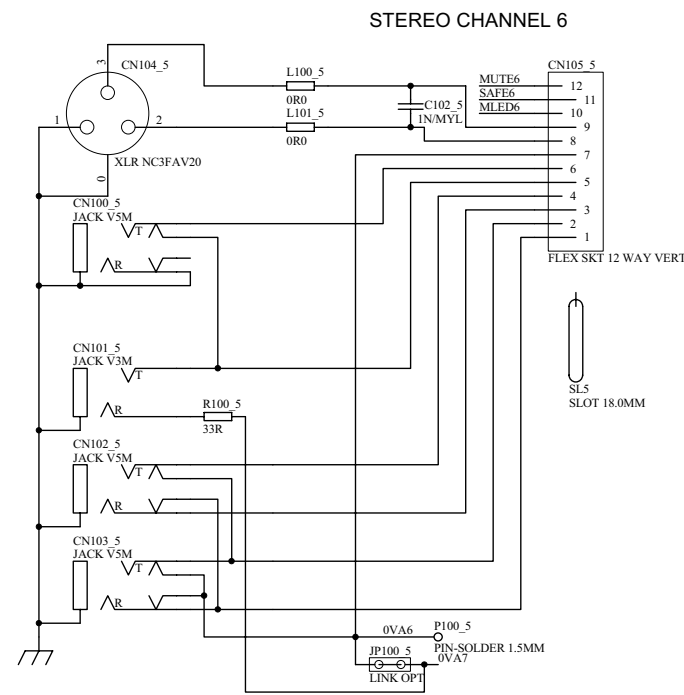
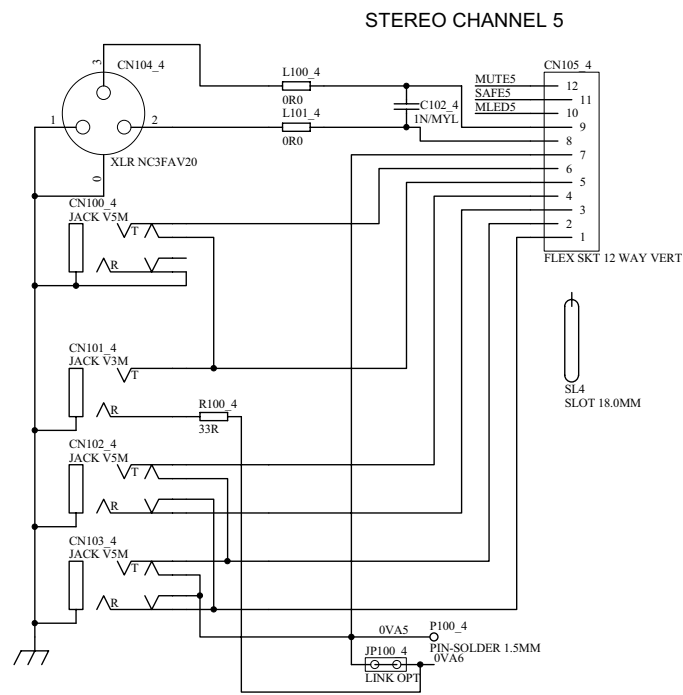
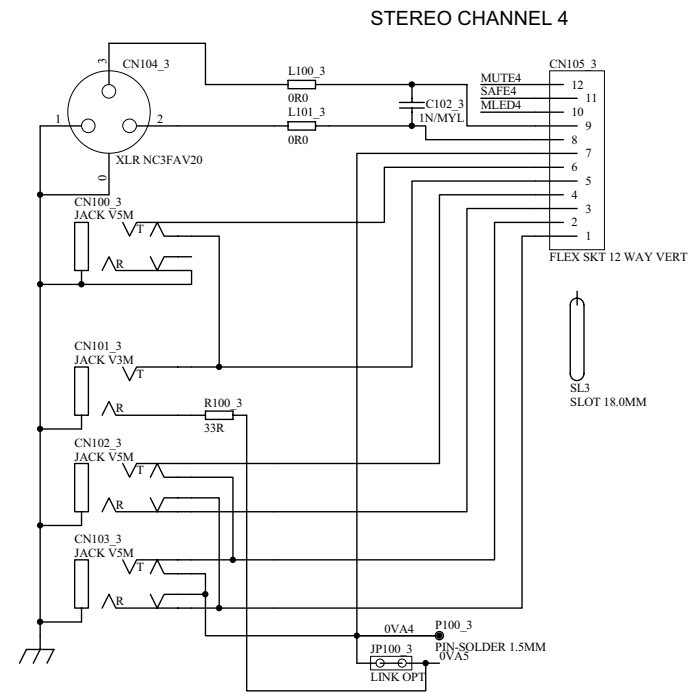
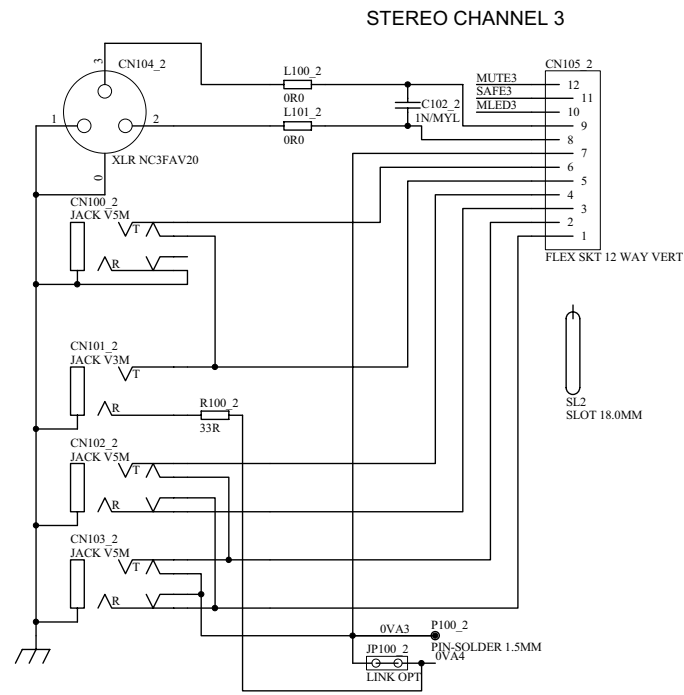
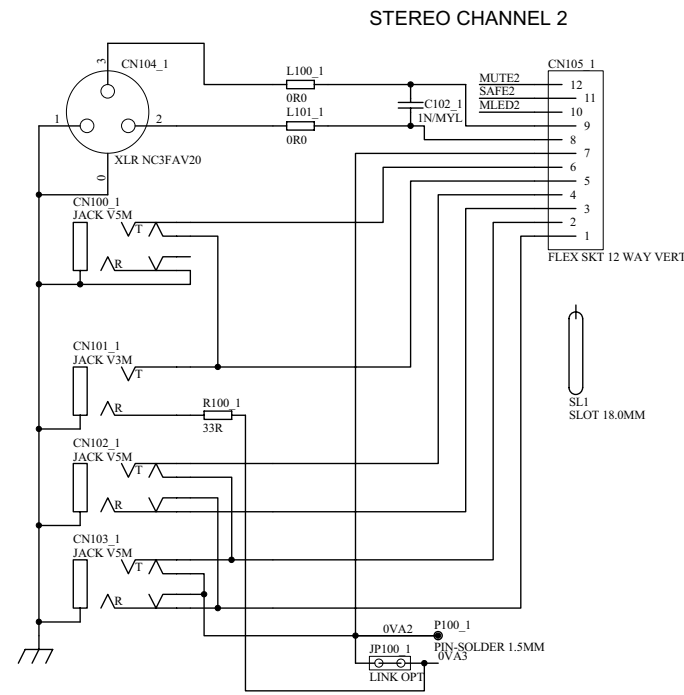
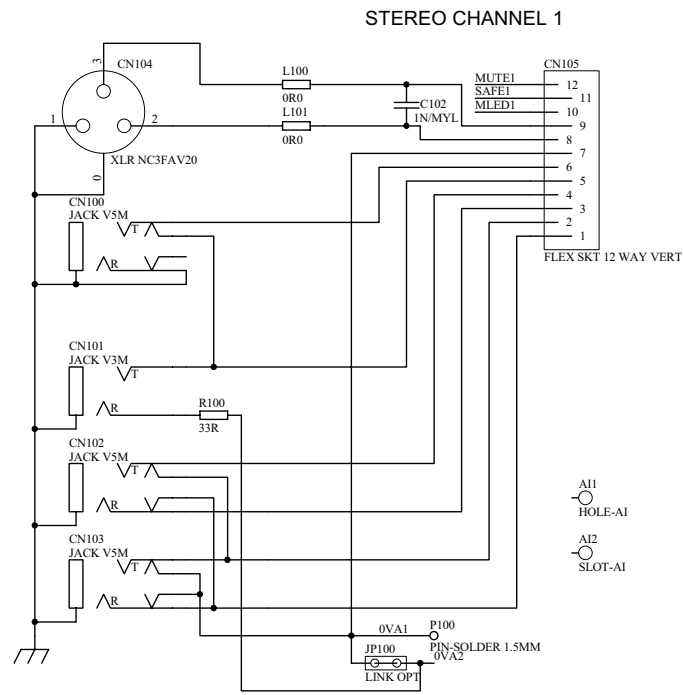
003-416 iss.2

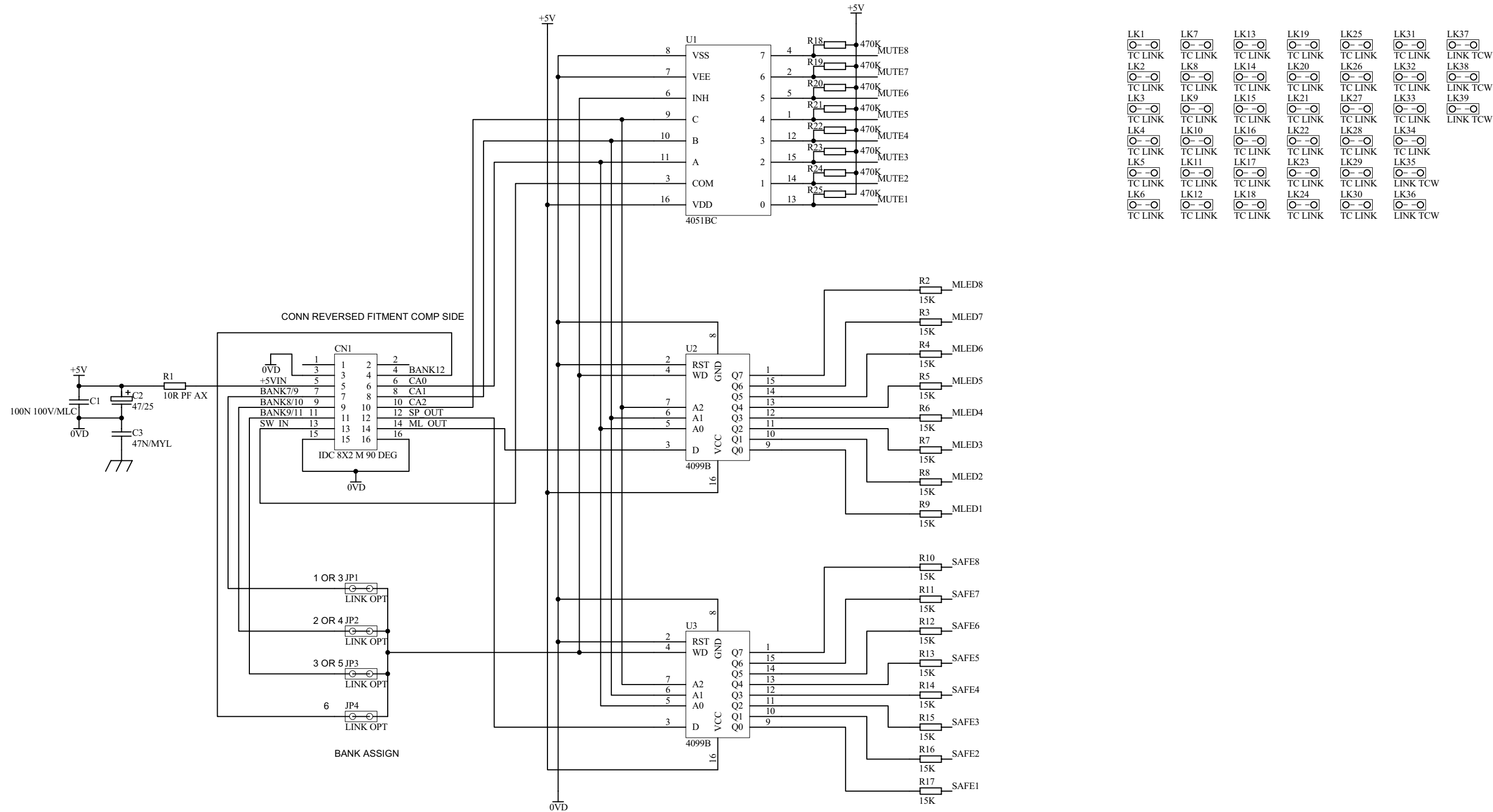


- LK1 TC LINK
- LK2 TC LINK
- LK3 TC LINK
- LK4 TC LINK
- LK5 TC LINK
- LK6 TC LINK
- LK7 TC LINK
- LK8 TC LINK
- LK9 TC LINK
- LK10 TC LINK
- LK11 TC LINK
- LK12 TC LINK
- LK13 TC LINK
- LK14 TC LINK
- LK15 TC LINK
- LK16 TC LINK
- LK17 TC LINK
- LK18 TC LINK
- LK19 TC LINK
- LK20 TC LINK
- LK21 TC LINK
- LK22 TC LINK
- LK23 TC LINK
- LK24 TC LINK
- LK25 TC LINK
- LK26 TC LINK
- LK27 TC LINK
- LK28 TC LINK
- LK29 TC LINK
- LK30 TC LINK
- LK31 TC LINK
- LK32 TC LINK
- LK33 TC LINK
- LK34 TC LINK

ALLEN&HEATH Kernick Industrial Estate, Penryn, Cornwall, England. TR10 9LU Tel: +44 (0)8707 556250 Fax: +44 (0)8707 556251	ISSUE	BY	DATE	CHK BY		TITLE: GL4800 IN8M CONN PCB
	1 2	AAT AAT	05-01-05 23-03-05	XXX XXX		FILE: C6075_2P2.Sch
					PRINTED: 12:03:03 10-May-2005	DRG No: C6075 ISSUE: 2 SHEET: 2 OF 2







- | | | | | | | |
|---------|---------|---------|---------|---------|----------|----------|
| LK1 | LK7 | LK13 | LK19 | LK25 | LK31 | LK37 |
| TC LINK | TC LINK | TC LINK | TC LINK | TC LINK | TC LINK | LINK TCW |
| LK2 | LK8 | LK14 | LK20 | LK26 | LK32 | LK38 |
| TC LINK | TC LINK | TC LINK | TC LINK | TC LINK | TC LINK | LINK TCW |
| LK3 | LK9 | LK15 | LK21 | LK27 | LK33 | LK39 |
| TC LINK | TC LINK | TC LINK | TC LINK | TC LINK | TC LINK | LINK TCW |
| LK4 | LK10 | LK16 | LK22 | LK28 | LK34 | |
| TC LINK | TC LINK | TC LINK | TC LINK | TC LINK | TC LINK | |
| LK5 | LK11 | LK17 | LK23 | LK29 | LK35 | |
| TC LINK | TC LINK | TC LINK | TC LINK | TC LINK | LINK TCW | |
| LK6 | LK12 | LK18 | LK24 | LK30 | LK36 | |
| TC LINK | TC LINK | TC LINK | TC LINK | TC LINK | LINK TCW | |
| LK7 | LK13 | LK19 | LK25 | LK31 | LK37 | |
| TC LINK | TC LINK | TC LINK | TC LINK | TC LINK | LINK TCW | |

ALLEN&HEATH

Kernick Industrial Estate,
Penryn, Cornwall,
England. TR10 9LU
Tel: +44 (0)8707 556250
Fax: +44 (0)8707 556251

ISSUE	BY	DATE	CHK BY
1	AAT	05-01-05	XXX
2	AAT	24-03-05	XXX

FILE: C6076_2P2.Sch

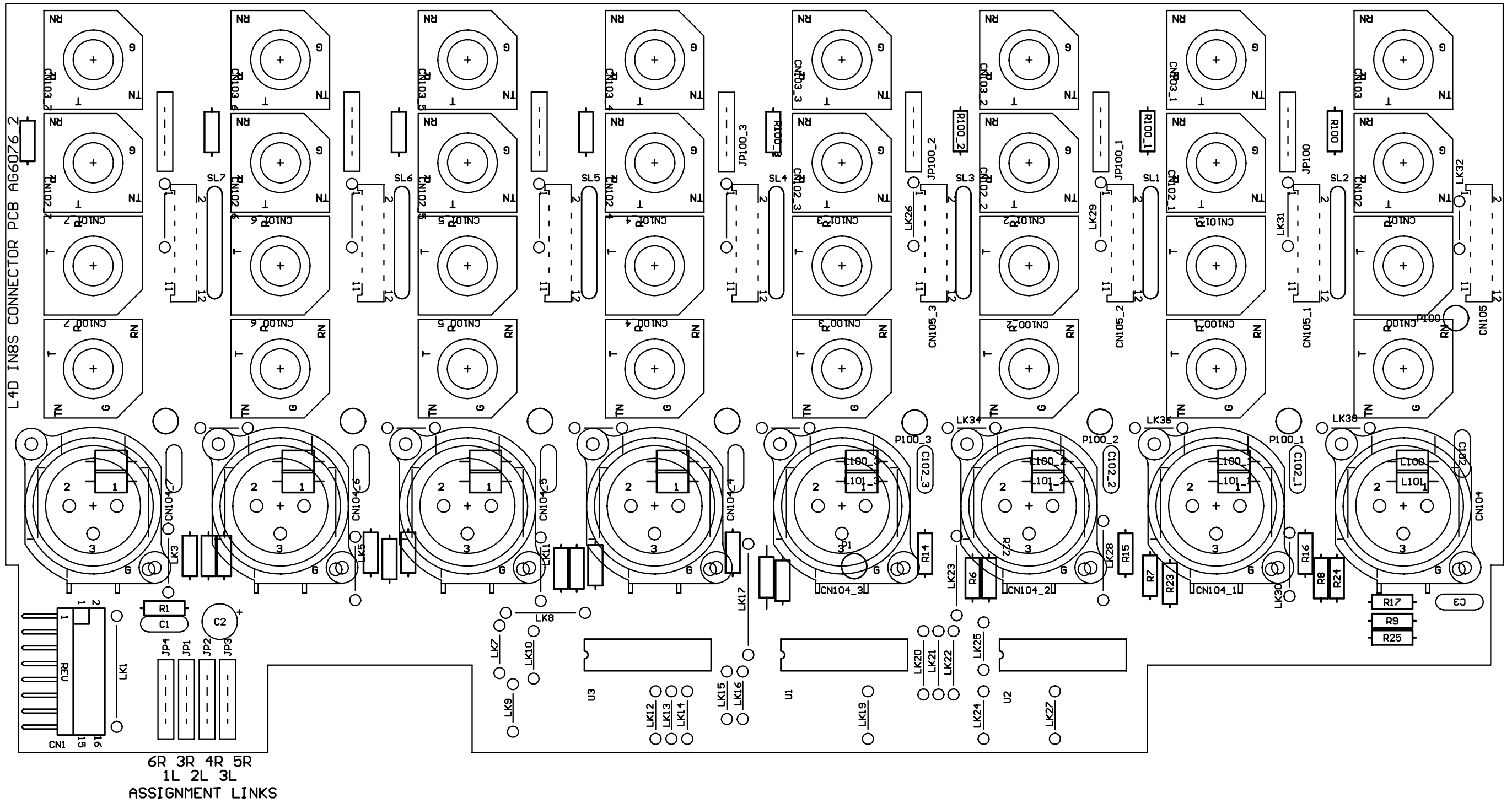
TITLE: L4D 8S CONN PCB

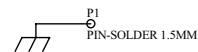
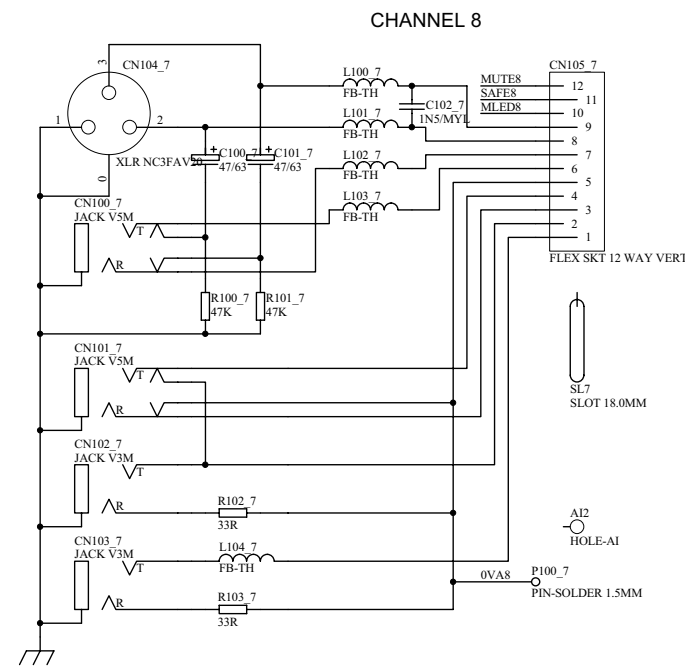
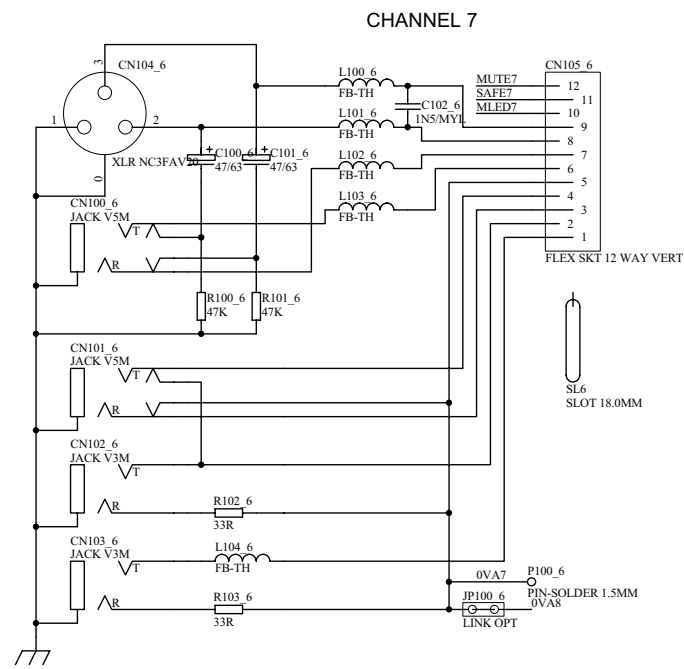
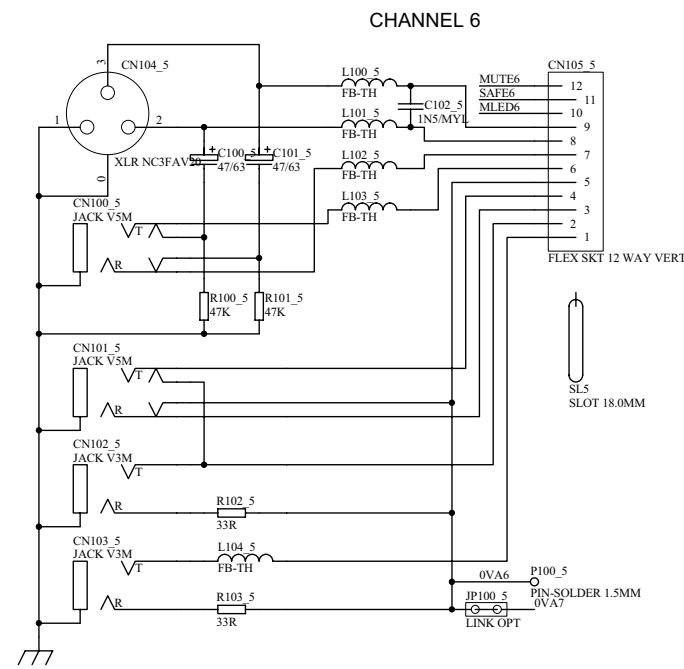
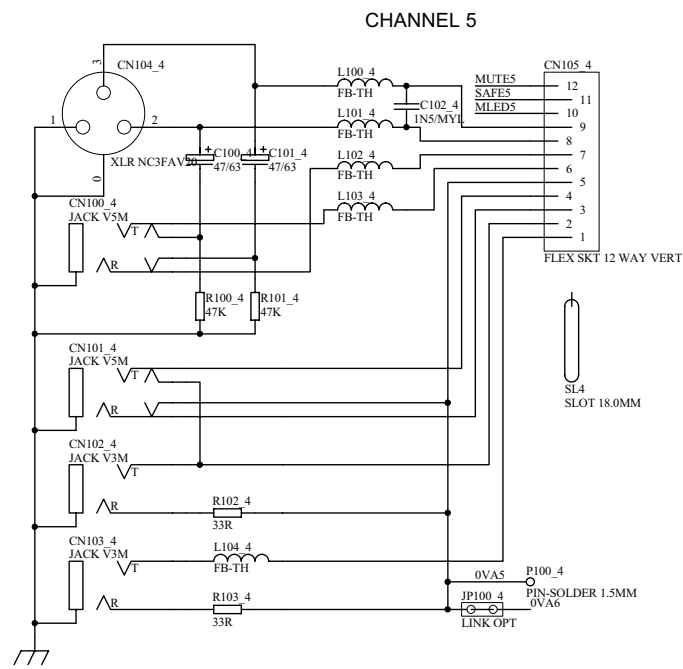
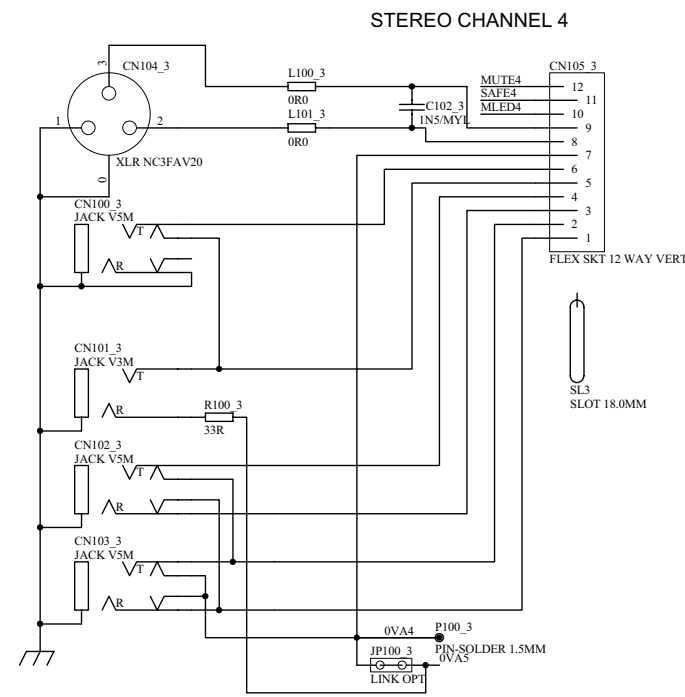
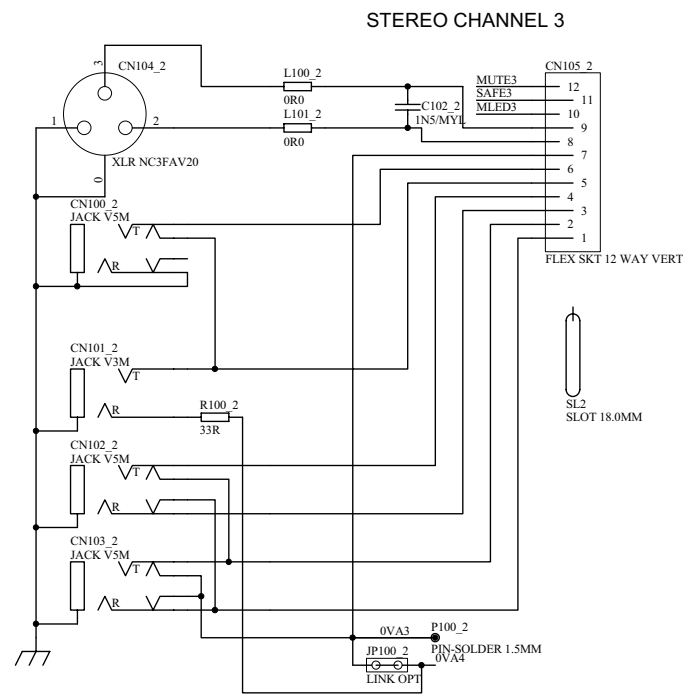
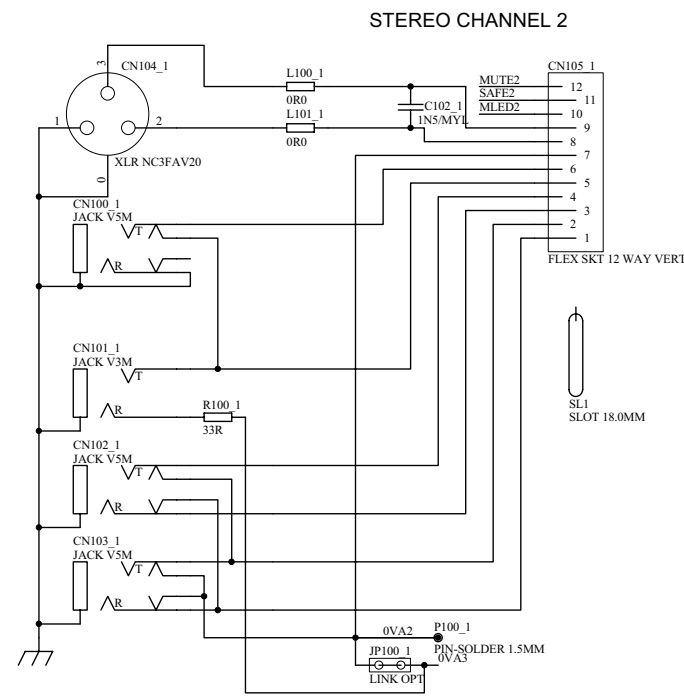
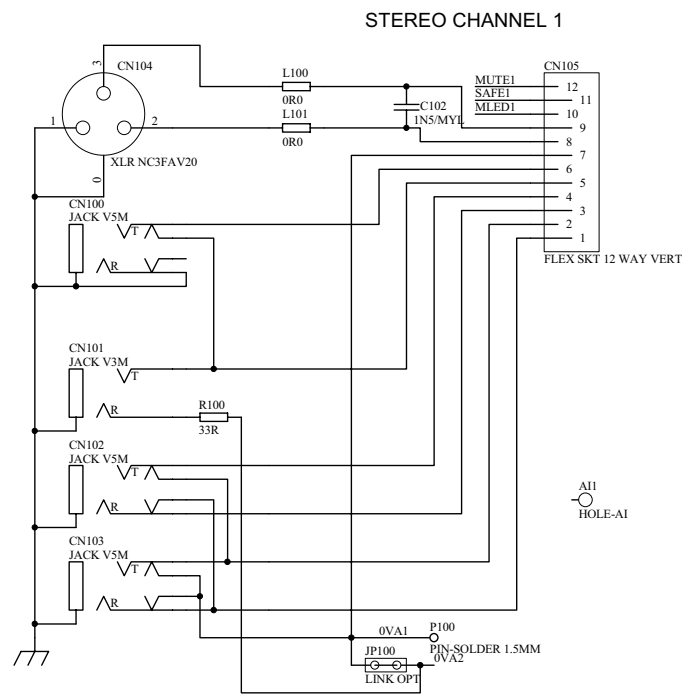
PAGE:

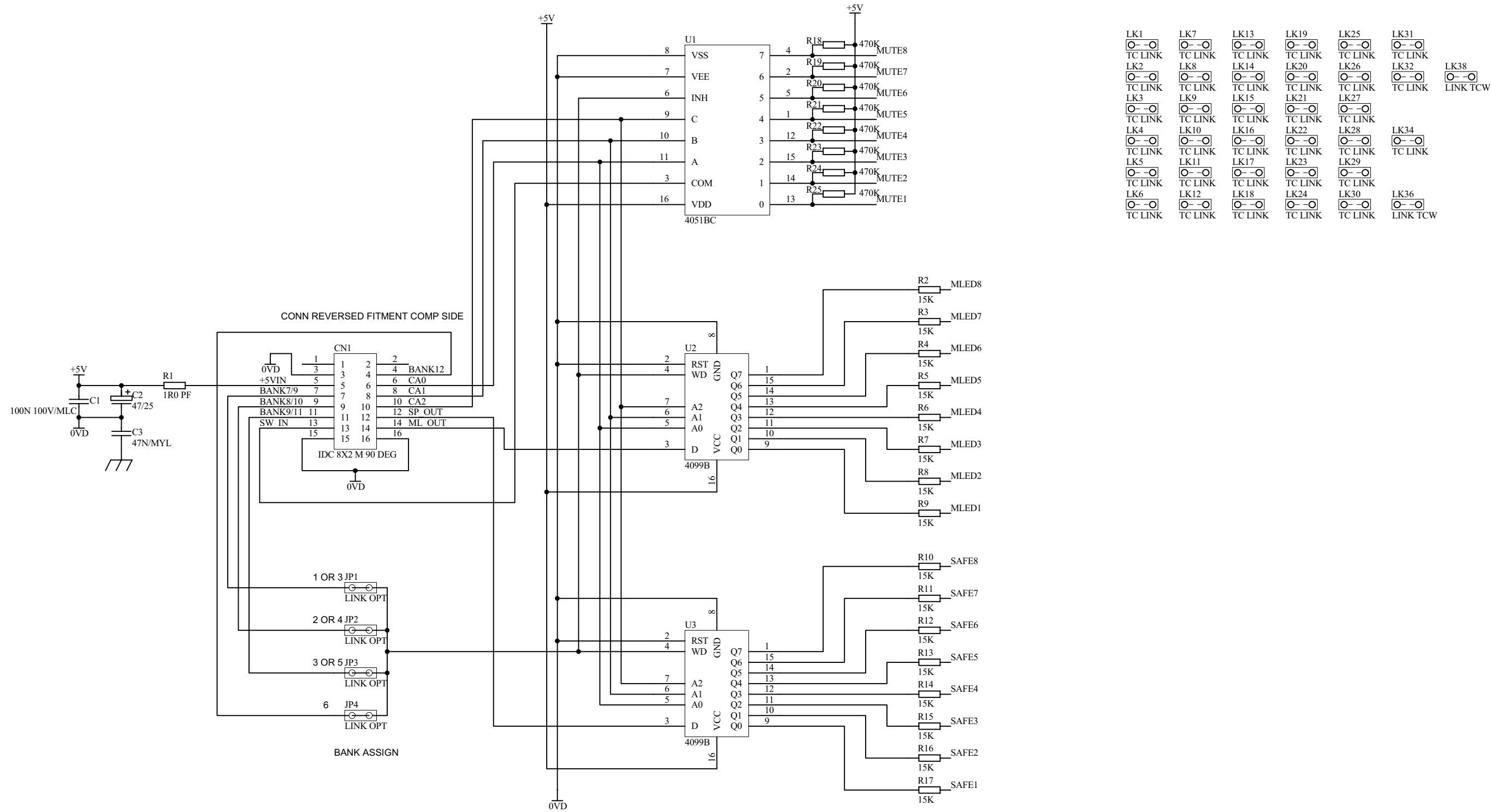
PRINTED: 11:58:40 10-May-2005

DRG No: C6076 ISSUE: 2 SHEET: 2 OF 2

ST CHANNEL 8 ST CHANNEL 7 ST CHANNEL 6 ST CHANNEL 5 ST CHANNEL 4 ST CHANNEL 3 ST CHANNEL 2 ST CHANNEL 1







ALLEN&HEATH

Kernick Industrial Estate,
Penryn, Cornwall,
England. TR10 9LU
Tel: +44 (0)8707 556250
Fax: +44 (0)8707 556251

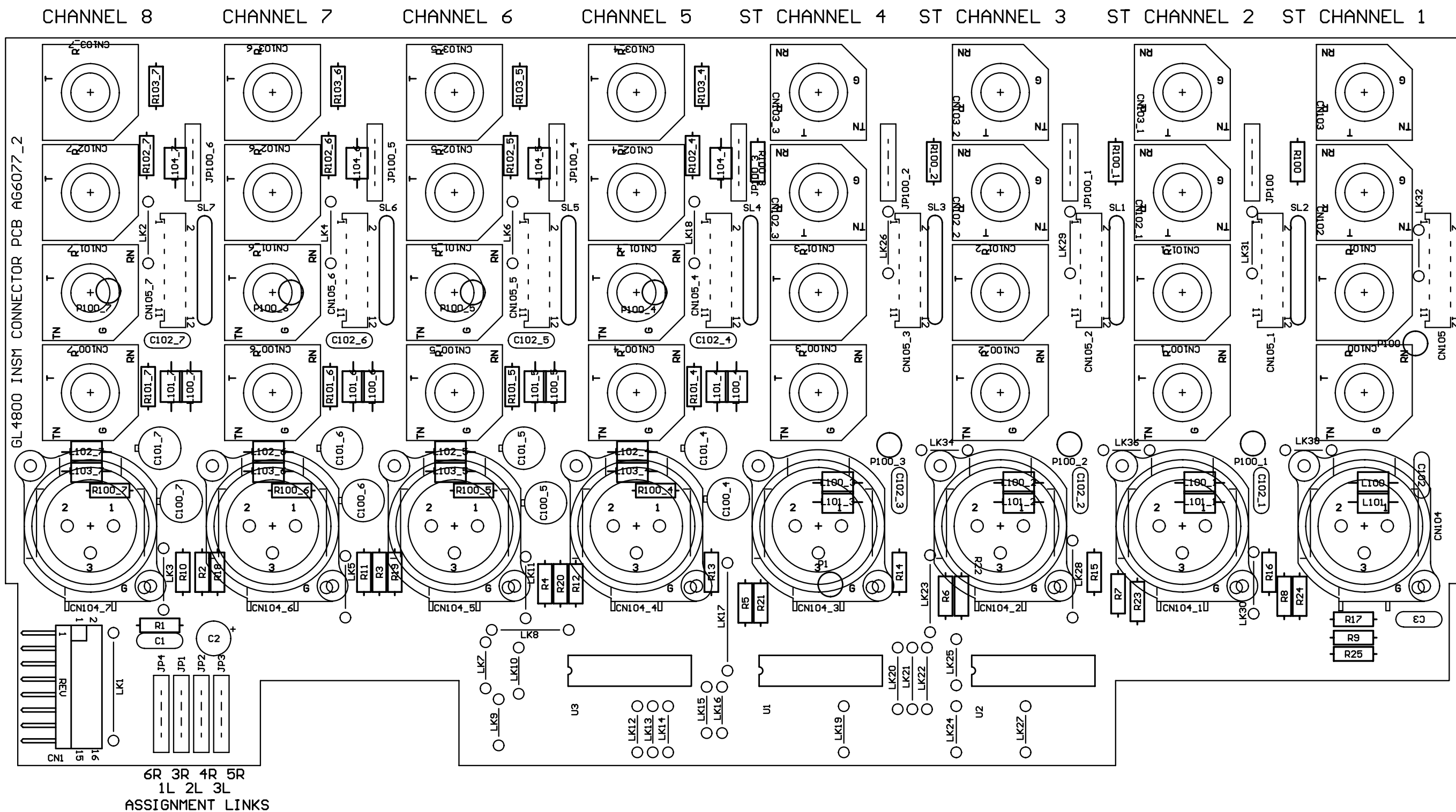
ISSUE	BY	DATE	CHK BY
1	AAT	05-01-05	XXX
2	AAT	29-03-05	XXX

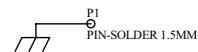
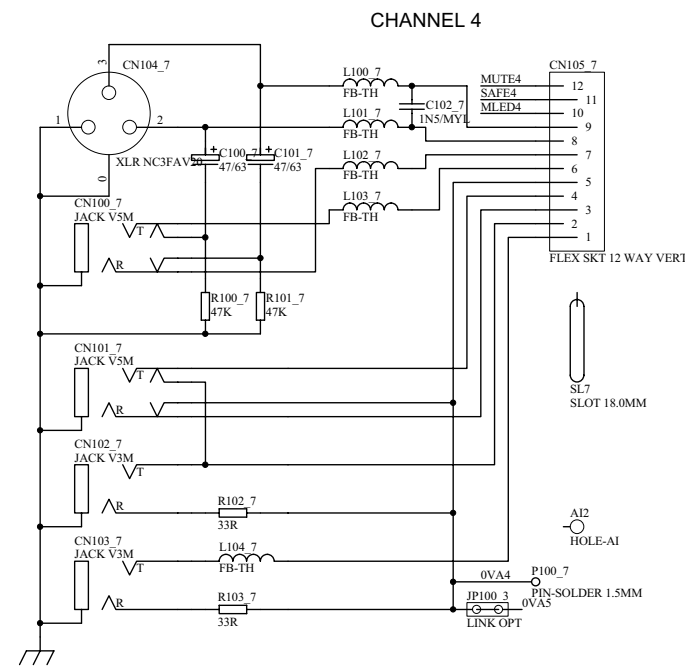
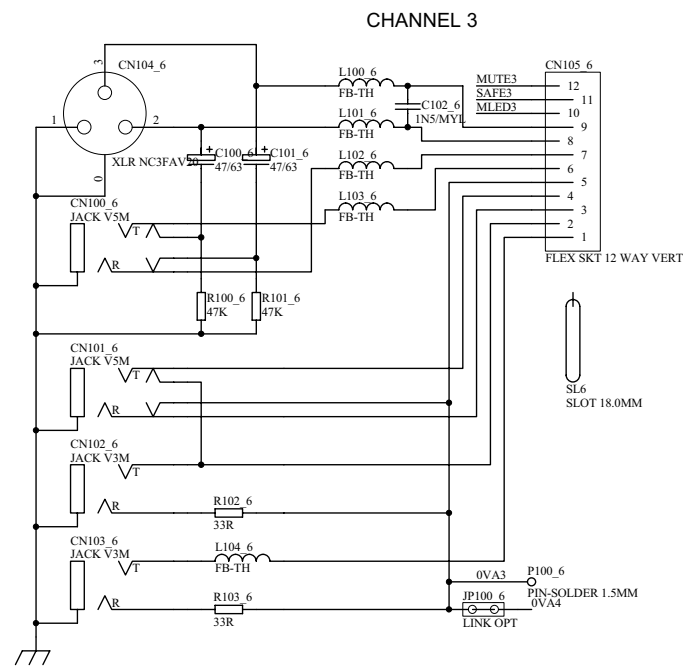
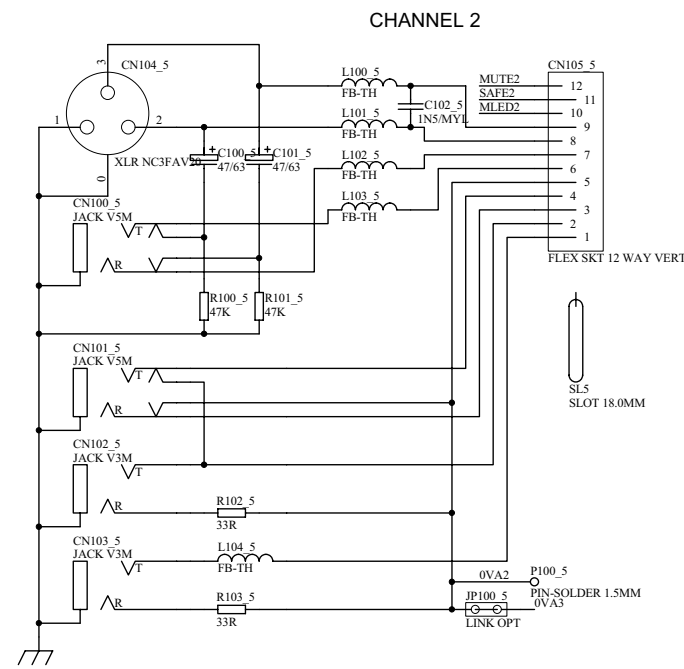
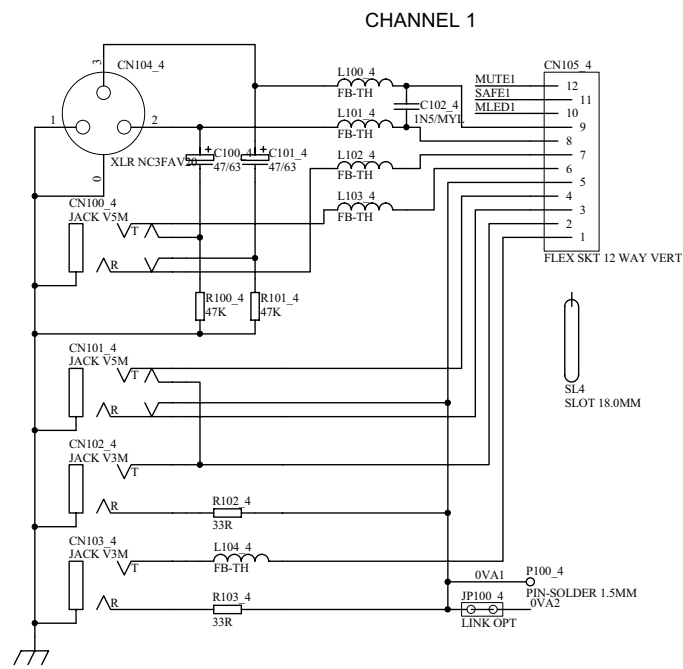
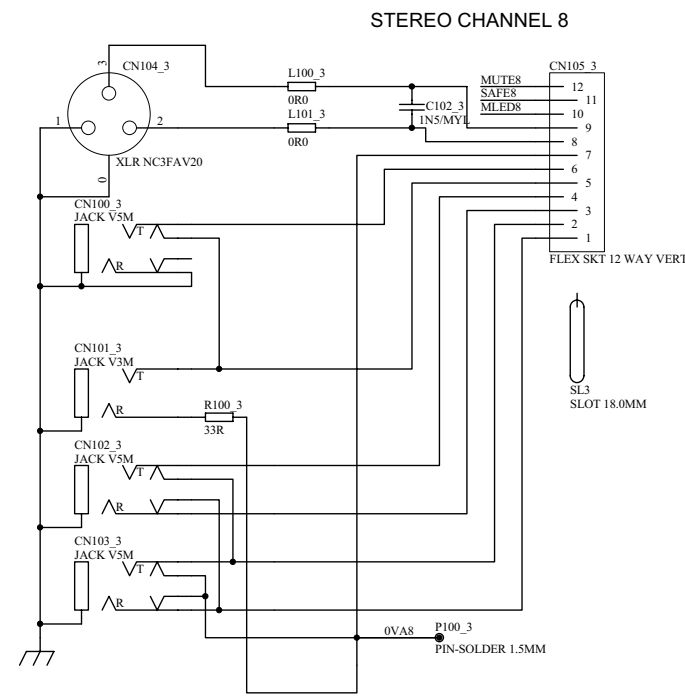
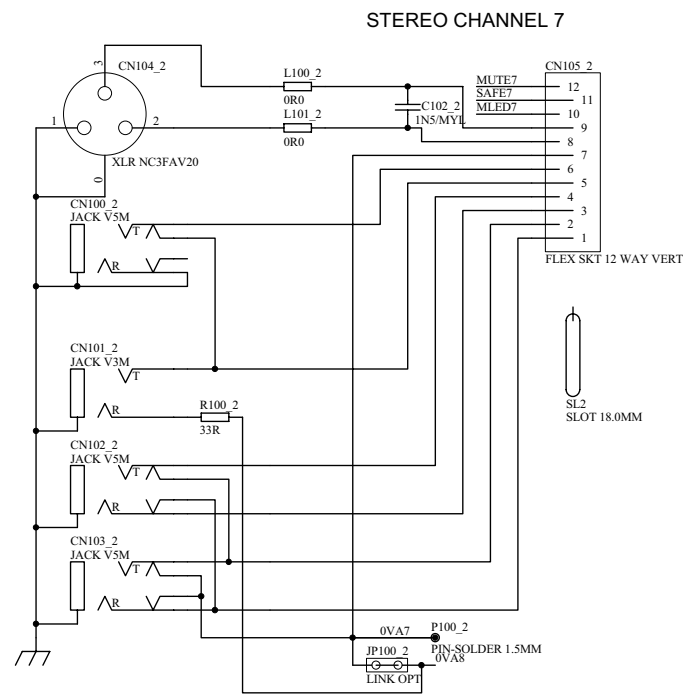
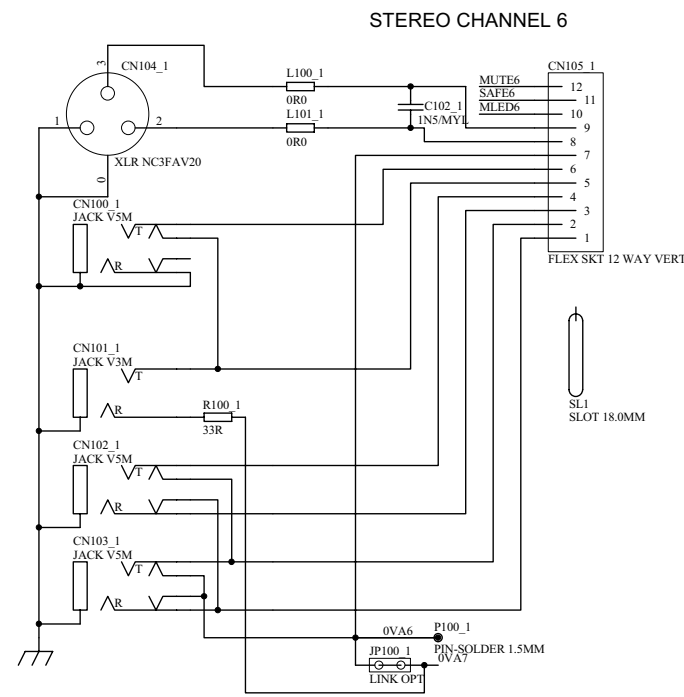
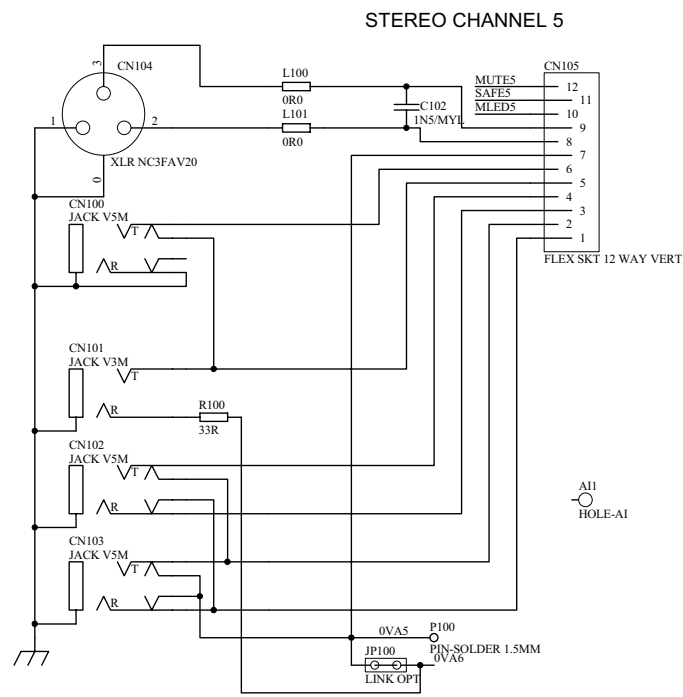
FILE: C6077_2P2.Sch

TITLE: **GL4800 SM CONN PCB**

PAGE:
DRG No: **C6077** ISSUE: **2** SHEET: **2 OF 2**

PRINTED: 11:29:52 10-May-2005





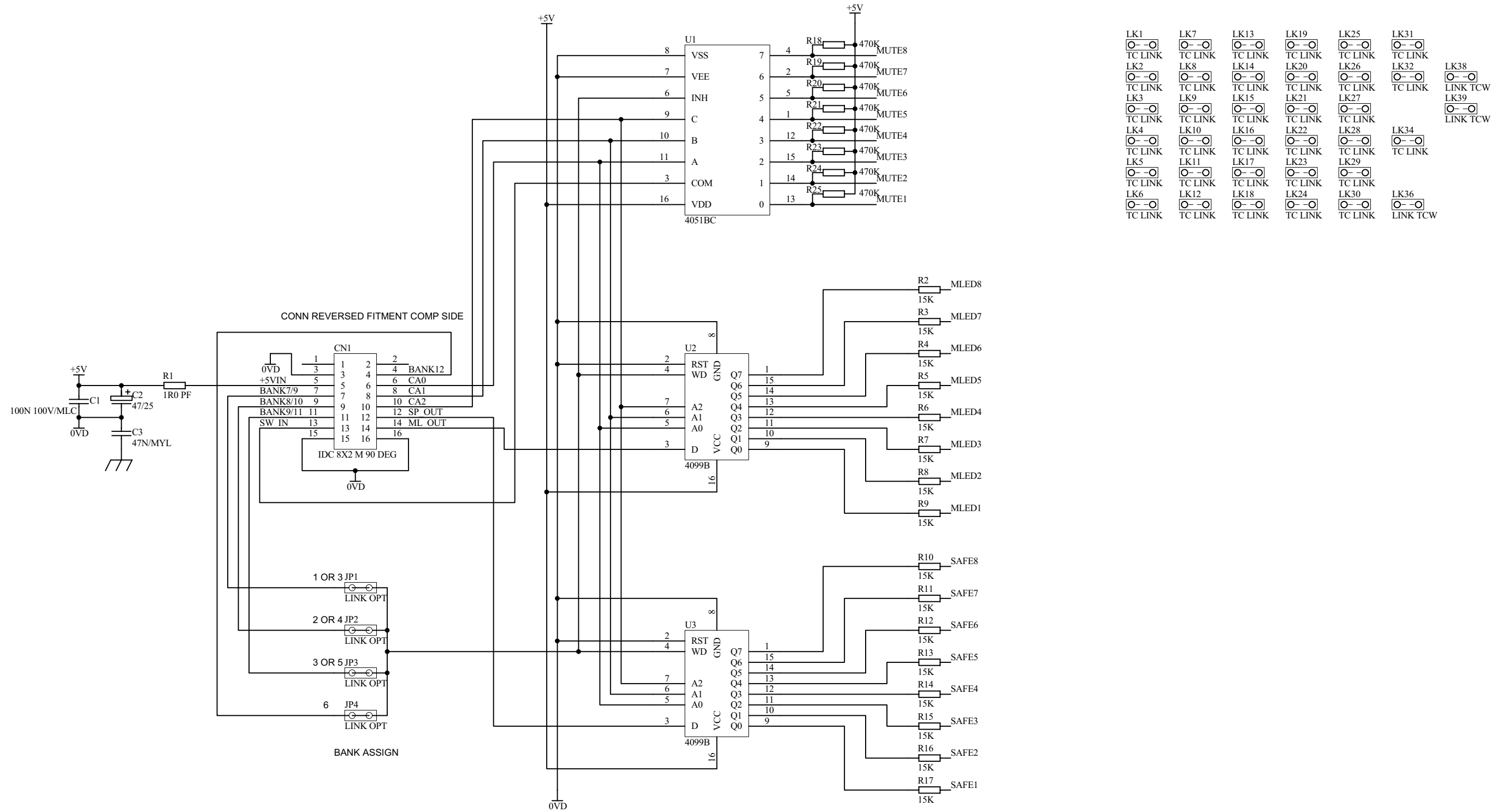
ALLEN&HEATH
 Kernick Industrial Estate,
 Penryn, Cornwall,
 England. TR10 9LU
 Tel: +44 (0)8707 556250
 Fax: +44 (0)8707 556251

ISSUE	BY	DATE	CHK BY
1	AAT	05-01-05	XXX
2	AAT	29-03-05	XXX

FILE: C6078_2P1.Sch	PRINTED: 11:47:30 10-May-2005
---------------------	-------------------------------

TITLE: GL4800 MS CONN PCB
PAGE:
DRG No: C6078 ISSUE: 2 SHEET: 1 OF 2

003-418 iss.2



ALLEN&HEATH

Kernick Industrial Estate,
Penryn, Cornwall,
England. TR10 9LU
Tel: +44 (0)8707 556250
Fax: +44 (0)8707 556251

ISSUE	BY	DATE	CHK BY
1	AAT	05-01-05	XXX
2	AAT	29-03-05	XXX

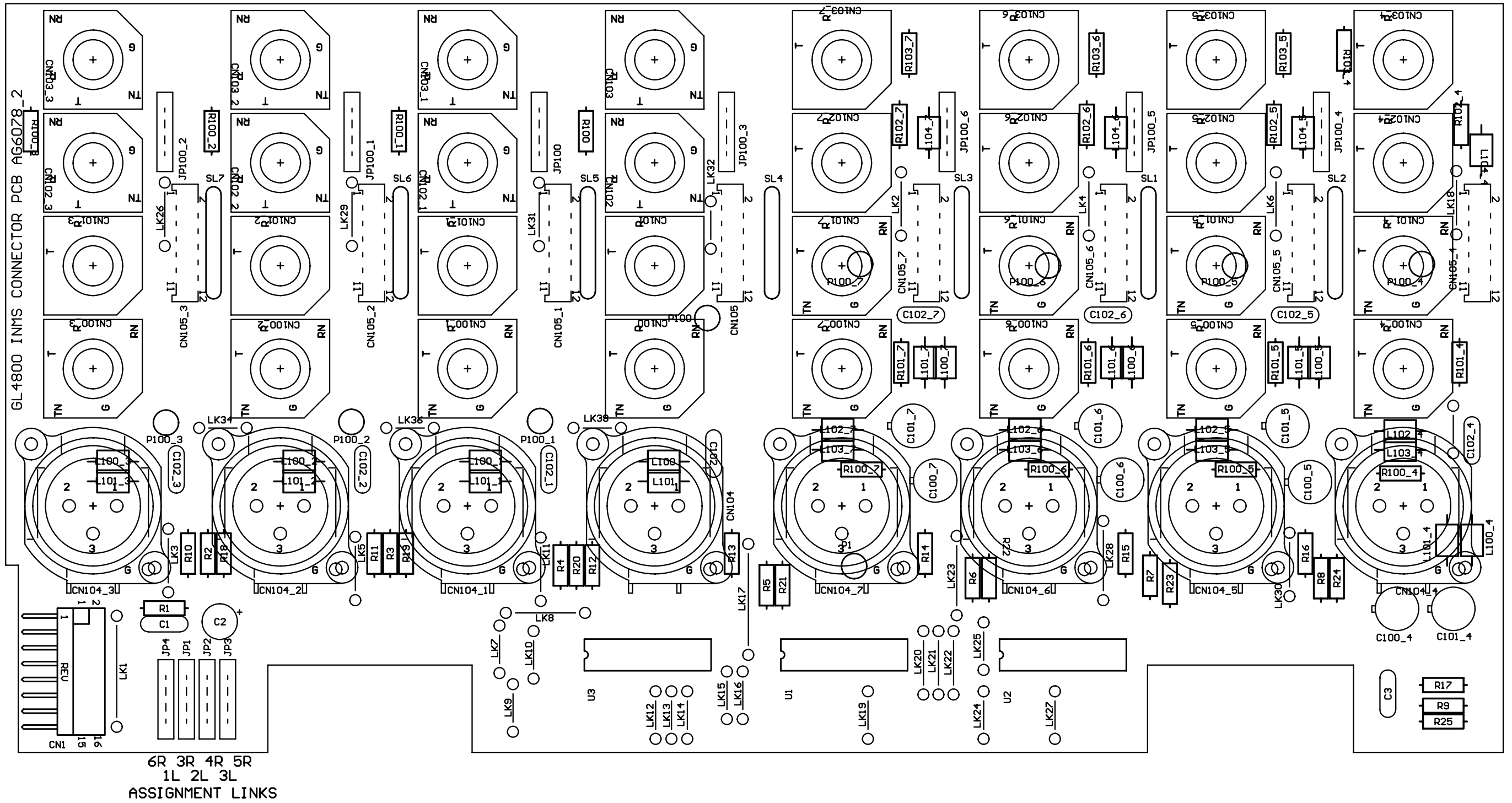
FILE: C6078_2P2.Sch

TITLE: **GL4800 MS CONN PCB**

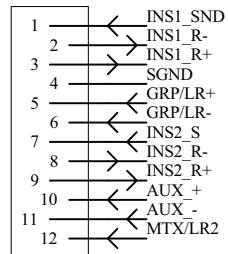
PAGE:
DRG No: **C6078** ISSUE: 2 SHEET: 2 OF 2

PRINTED: 11:47:30 10-May-2005

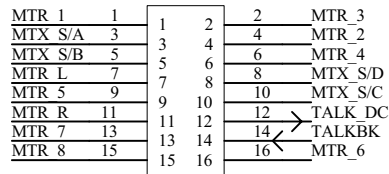
ST CHANNEL 8 ST CHANNEL 7 ST CHANNEL 6 ST CHANNEL 5 CHANNEL 4 CHANNEL 3 CHANNEL 2 CHANNEL 1



FLEXI TO MASTER PCB

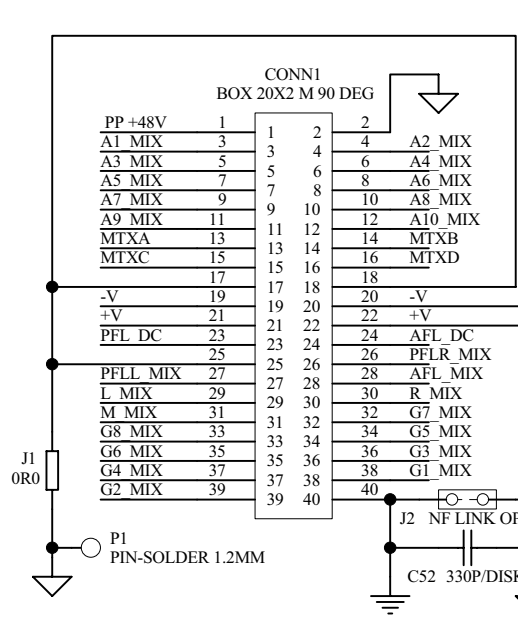


CONN2
FLEX SKT 12 WAY 90 DEG



CONN3
BOX 8X2 M 90 DEG

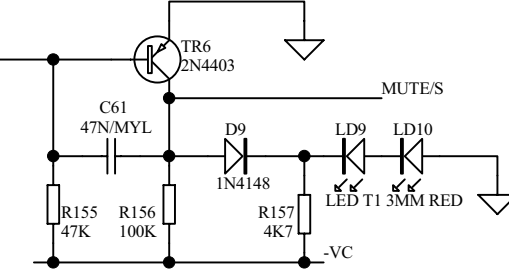
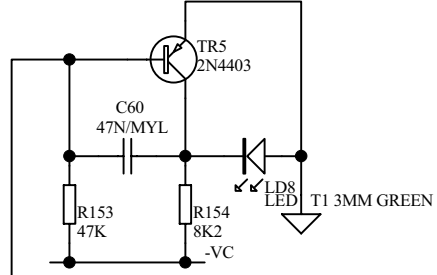
40 WAY RIBBON



MUTE/SAFE CIRCUIT CONTROL FROM SLAVE CARD

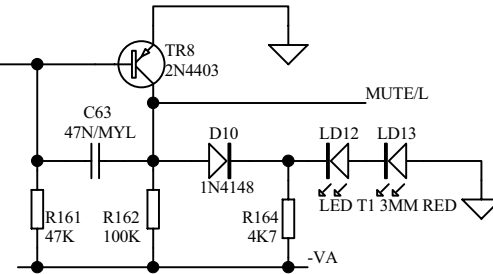
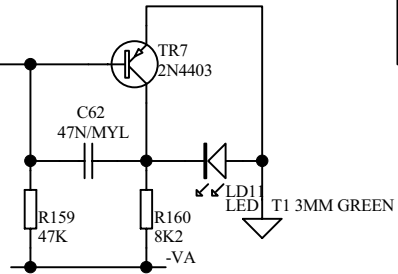
SMALL FADER SAFE/PREVIEW

SMALL FADER MUTE



LARGE FADER SAFE/PREVIEW

LARGE FADER MUTE

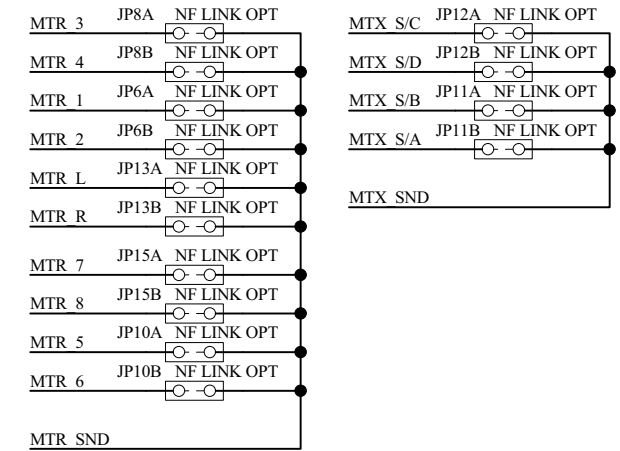


GROUP BOARD ASSIGNMENT

COMPONENT	1 - 4	5 - 8	9 - 10 (L&R)
FB1	NF	POS 5 ONLY	NF
FB2	NF	POS 6 ONLY	NF
FB3	NF	POS 7 ONLY	NF
FB4	NF	POS 8 ONLY	NF
FB6	POS 2 ONLY	NF	NF
FB7	POS 1 ONLY	NF	NF
FB8	POS 3 ONLY	NF	NF
FB9	POS 4 ONLY	NF	NF
FB11	POS 1 ONLY	NF	NF
FB12	POS 2 ONLY	NF	NF
FB13	POS 3 ONLY	NF	NF
FB14	POS 4 ONLY	NF	NF
FB15	NF	POS 5 ONLY	NF
FB16	NF	POS 6 ONLY	NF
FB17	NF	POS 7 ONLY	NF
FB18	NF	POS 8 ONLY	NF
FB19	NF	NF	POS 9 ONLY
FB20	NF	NF	POS 10 ONLY
FB21	POS 1 ONLY	NF	NF
FB22	POS 2 ONLY	NF	NF
FB23	POS 3 ONLY	NF	NF
FB24	POS 4 ONLY	NF	NF
FB25	NF	POS 5 ONLY	NF
FB26	NF	POS 6 ONLY	NF
FB27	NF	POS 7 ONLY	NF
FB28	NF	POS 8 ONLY	NF
FB29	NF	NF	POS 9 ONLY
FB30	NF	NF	POS 10 ONLY
FB171	NF	NF	22K
J1	LINK	LINK	LINK
J2	NF	NF	NF
J6	POS 1S - 2L	NF	NF
J8	POS 3S - 4L	NF	NF
J10	NF	POS 5S - 6L	Text
J11	NF	POS 5L - 6S	Text
J12	NF	POS 7S - 8L	Text
J13	NF	NF	POS 9S - 10L
J15	NF	POS 7S - 8L	NF
J27	LINK	NF	NF
J28	LINK	NF	NF
J29	LINK	NF	NF
J30	NF	NF	LINK
J31	LINK	LINK	LINK
J32	NF	NF	NF
J33	LINK	LINK	LINK
J34	NF	NF	NF
J35	NF	NF	LINK
J36	LINK	LINK	LINK
J37	NF	NF	NF

COMPONENT	1 - 4	5 - 8	9 - 10
L8	NF	F	F
C1	NF	F	NF
C2	F	F	NF
C3	NF	F	F
C4	NF	F	F
C5	NF	F	F
C6	NF	F	F
C12	NF	F	F
C14	NF	F	F
C37	NF	NF	F
C49	F	F	NF
C67	NF	F	F
C76	F	F	NF
IC2	NF	F	F
IC5	F	F	F
L9	NF	F	F
L13	NF	F	F
L74	NF	NF	F
L75	NF	NF	F
L82	NF	NF	F
L83	NF	NF	F
L86	NF	F	NF
L94	F	F	NF
L97	NF	F	F
L100	NF	F	F
L105	NF	F	F
LD1	NF	F	F
LD2	NF	F	F
R1	NF	F	NF
R2	F	F	NF
R3	NF	F	NF
R4	NF	F	F
R5	NF	F	F
R6	NF	F	F
R7	NF	F	F
R8	NF	F	F
R9	NF	F	F
R10	NF	F	F
R11	NF	F	F
R12	NF	F	F
R21	F	NF	NF
R43	NF	F	F
R44	NF	F	F
R46	NF	F	F
R47	NF	F	F
R123	F	F	NF
R124	F	F	NF
R145	F	F	NF
R146	F	F	NF
SW1	NF	F	F
SW2	NF	F	F
SW3	NF	F	F
SW6	F	F	NF
SW9	F	F	NF
SW10	F	F	NF
SW13	F	NF	NF
VR1	NF	F	F
VR2	F	F	NF

MATRIX & METER BRIDGE ASSIGNMENT LINKS



ALLEN&HEATH

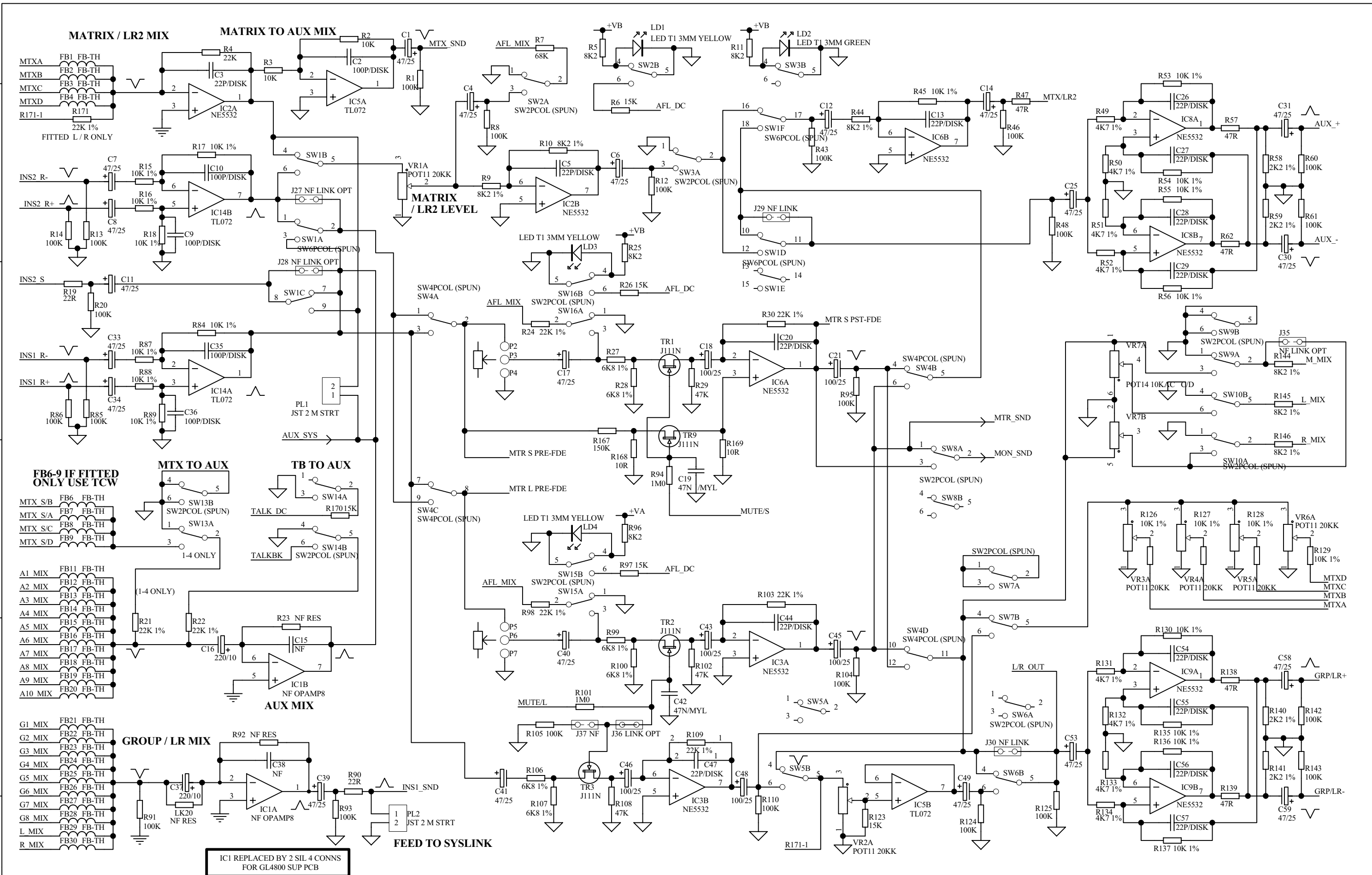
Kernick Industrial Estate,
Penryn, Cornwall,
England. TR10 9LU
Tel: +44 (0)1326 372070
Fax: +44 (0)1326 370153

ISSUE	BY	DATE	CHK BY	FILE
3.3	JB			C2623_3P1.Sch

TITLE: **GL4800 GROUP PCB**
PAGE:

DRG No: AG2623 ISSUE: 3.3 SHEET: 1 OF 3

PRINTED: 11:23:46 17-Jun-2005



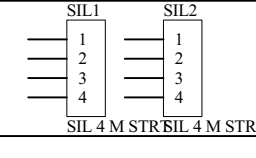
IC1 REPLACED BY 2 SIL 4 CONNS
FOR GL4800 SUP PCB

ALLEN&HEATH

Kernick Industrial Estate,
Penryn, Cornwall,
England. TR10 9LU
Tel: +44 (0)1326 372070
Fax: +44 (0)1326 370153

ISSUE	BY	DATE	CHK BY
3.3	JB		

15/03/04 CONVERTED TO PROTEL
FILE: C2623_3P2.Sch

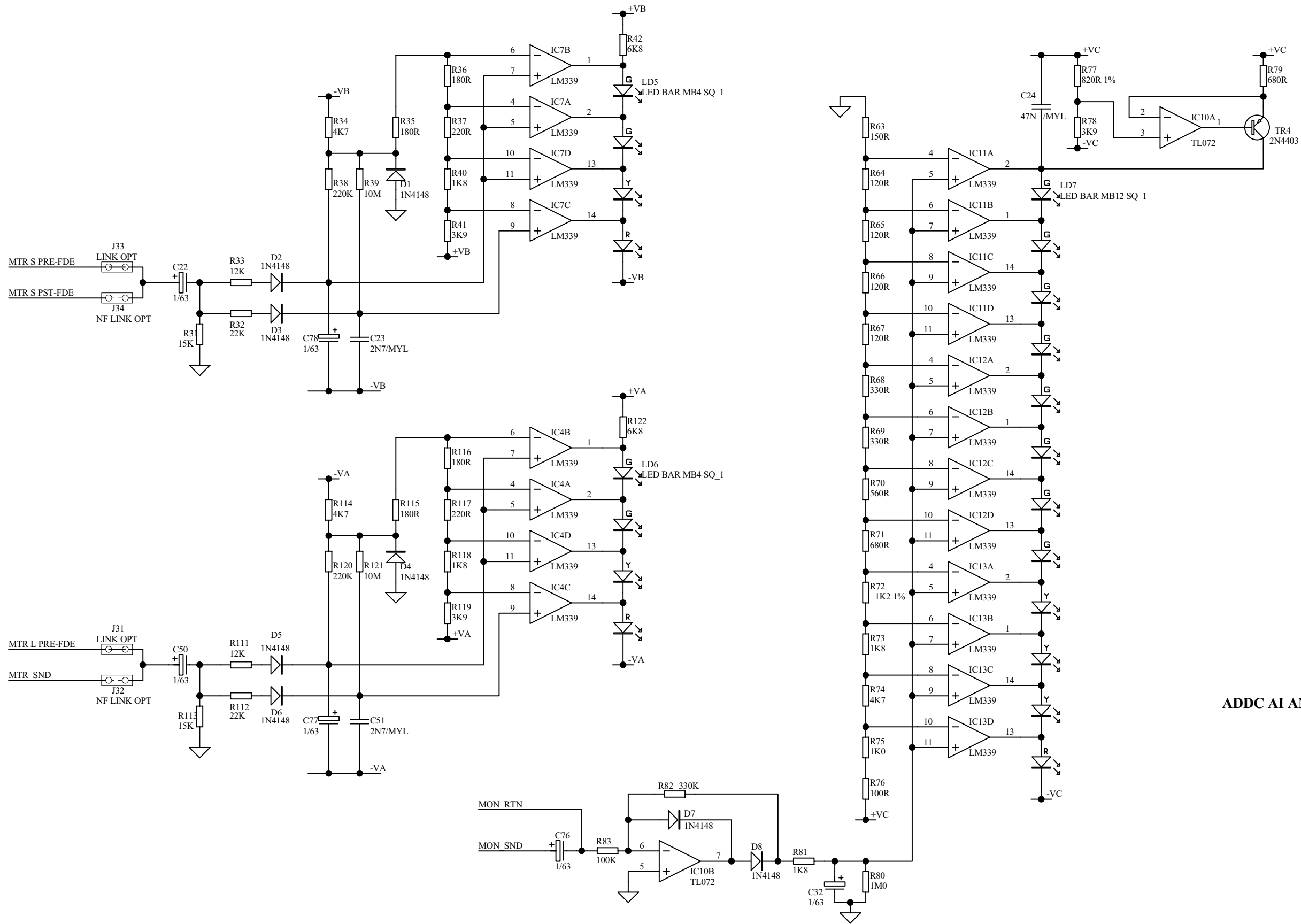


NOTE
FOR FB1 - FB30, R171 GROUP-L/R ASSIGNMENT REFER TO TABLE ON PAGE 1
FOR FITTED AND NON FITTED COMPONENTS SEE TABLE ON PAGE 1

TITLE: **GL4800 GROUP PCB**
PAGE:

DRG No: AG2623 ISSUE: 3.3 SHEET: 2 OF 3

PRINTED: 11:23:46 17-Jun-2005



ADDC AI AND FIX BLOCK

ALLEN&HEATH

Kernick Industrial Estate,
Penryn, Cornwall,
England. TR10 9LU
Tel: +44 (0)1326 372070
Fax: +44 (0)1326 370153

ISSUE	BY	DATE	CHK BY
3.3	JB		

15/03/04 CONVERTED TO PROTEL

FILE: C2623_3P3.Sch

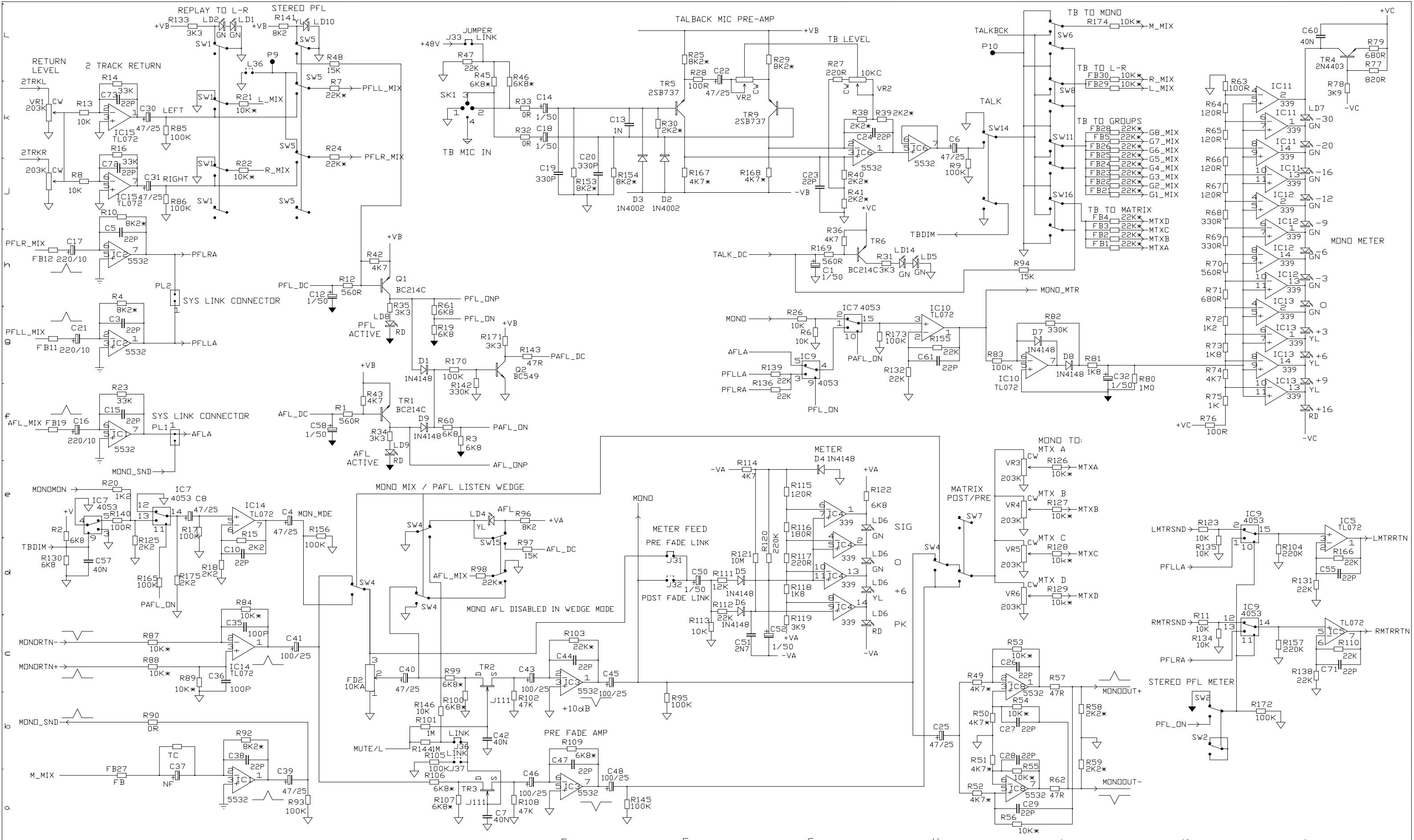
NOTE

FOR FB1 - FB30, R171 GROUP-L/R ASSIGNMENT REFER TO TABLE ON PAGE 1
FOR FITTED AND NON FITTED COMPONENTS SEE TABLE ON PAGE 1

PRINTED: 11:23:47 17-Jun-2005

TITLE: GL4800 GROUP PCB
PAGE:

DRG No: AG2623 ISSUE: 3.3 SHEET: 3 OF 3



ISS.	REVISION	BY	DATE
1	PRODUCTION	DRP	18-10-96
2	UPDATES	DLP	26-11-96
3	VALUE CHANGES	DWD	20-03-97
3.1	C37 NF	DWD	21-01-00
3.2	TALKBACK EARTH CHG LED COLS FOR 4800	AAT	01-07-05

NOTES

- RESISTORS MARKED * ARE 1% ALL OTHERS ARE 5% 1/4W UNLESS OTHERWISE MARKED
- ELECTROLYTIC CAPACITORS ARE ?F/VOLTS

UNIT TITLE
GL4800

DRAWING TITLE
MONO PCB

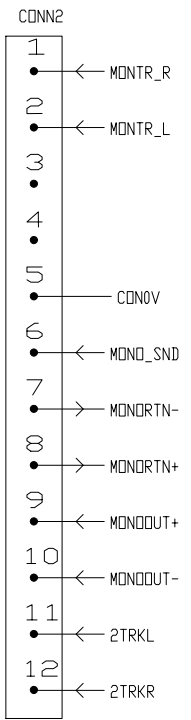
SHEET 1 OF 2

PCB TYPE AG2625

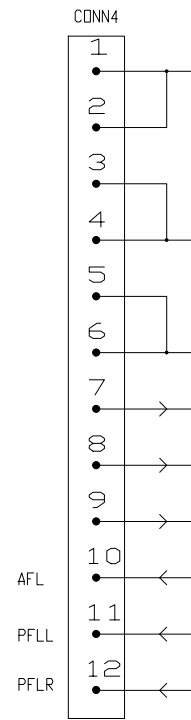
MANUFACTURED IN ENGLAND BY
ALLEN & HEATH

DRAWING No. **C2625** ISSUE **3.2**

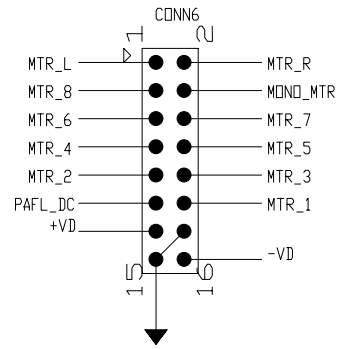
12WAY FLEXILINK TO MASTER CONNECTOR PCB



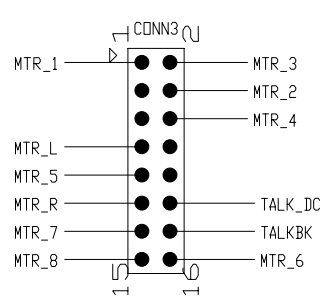
12WAY FLEXILINK TO MASTER PCB



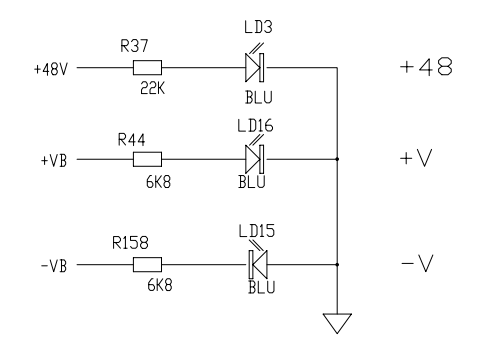
TO 16 WAY METERBRIDGE IDC



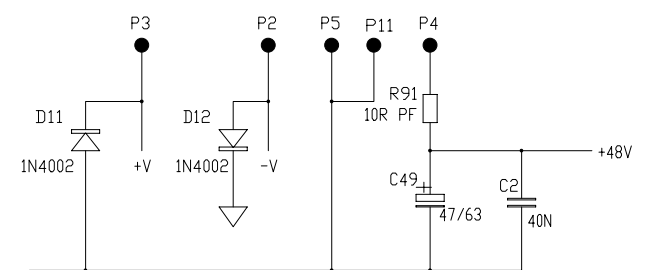
TO 16 WAY MASTER IDC



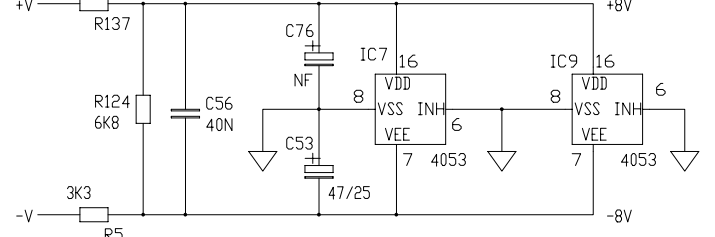
POWER STATUS INDICATION



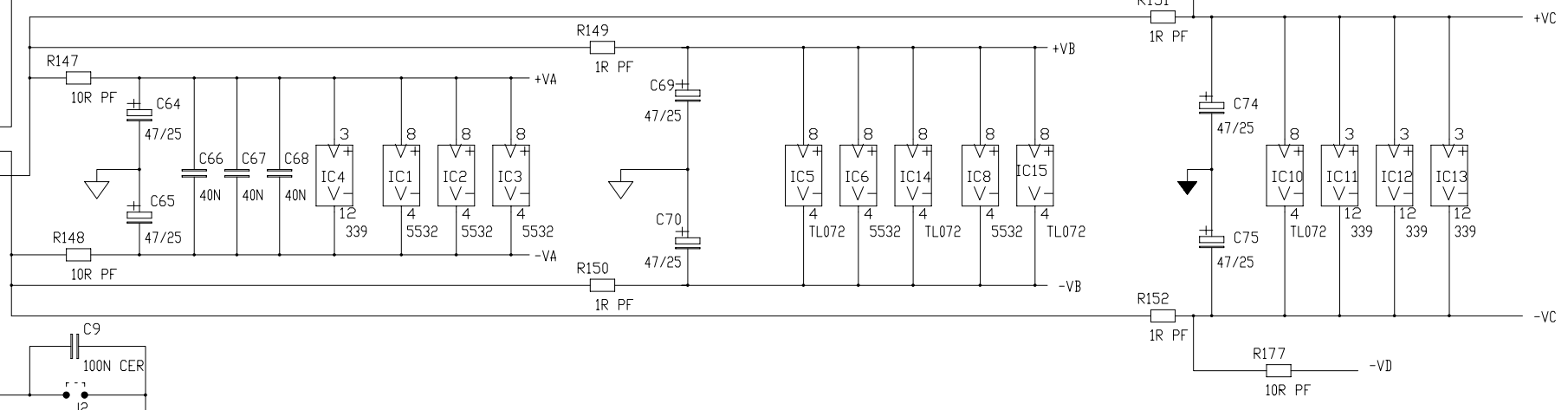
POWER CONNECTIONS



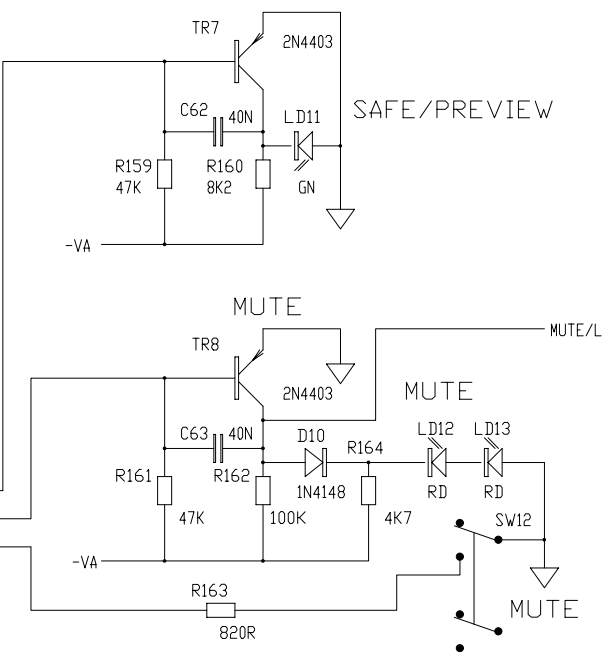
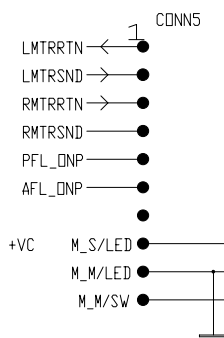
LOGIC SUPPLY



POWER SUPPLY FILTERING

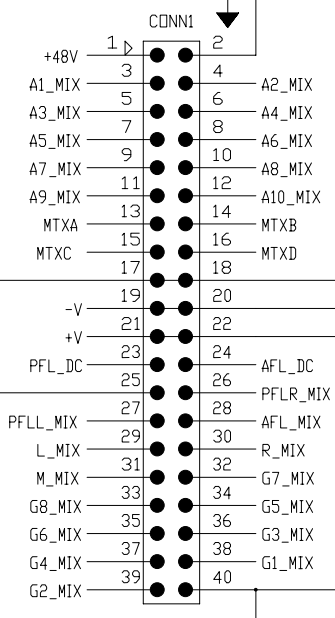


10 WAY CONNECTOR TO SLAVE CARD



0
F
e
d
C
b
a

MAIN 40WAY CONNECTOR

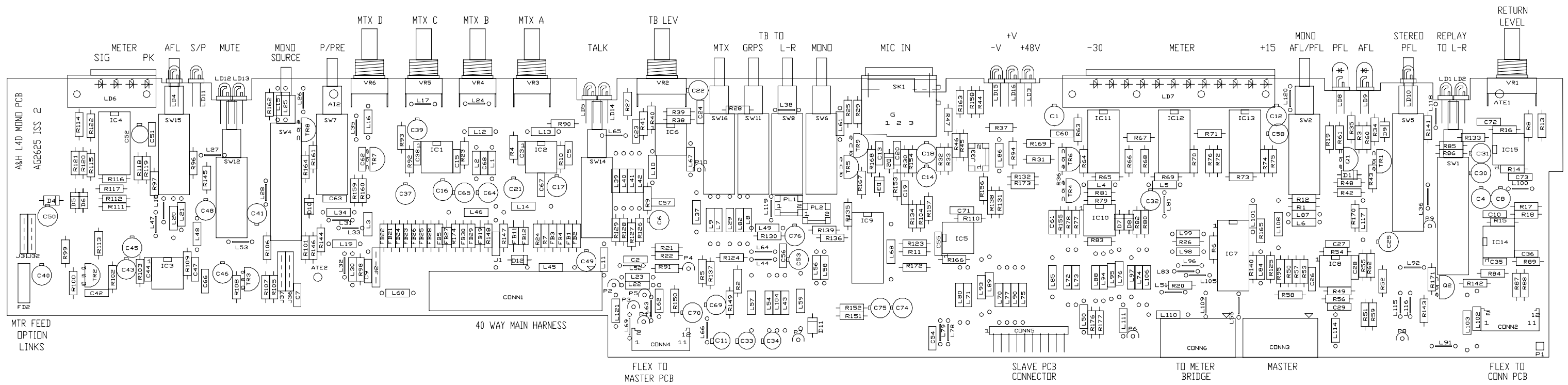


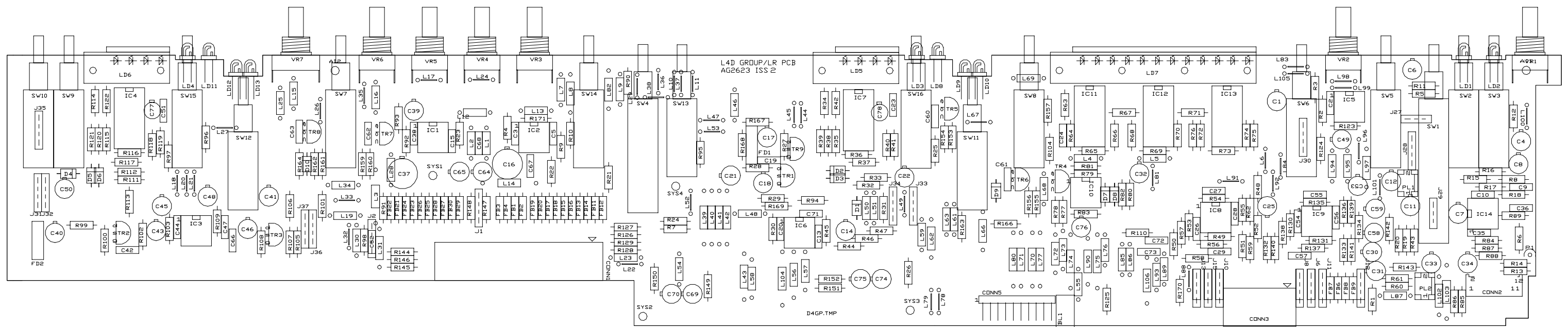
ISS.	REVISION	BY DATE	NOTES
1	PRODUCTION	DRP18-10-96	1. RESISTORS MARKED * ARE 1% ALL OTHERS ARE 5% 1/4W UNLESS OTHERWISE MARKED
2	UPDATES	DLP26-11-96	
3	VALUE CHANGES	DWD20-03-97	
3.1	C37 NF	DWD21-01-00	2. ELECTROLYTIC CAPACITORS ARE ?F/VOLTS
3.2	TALKBACK EARTHING CH LED COLS FOR 4800	AAT 01-07-05	

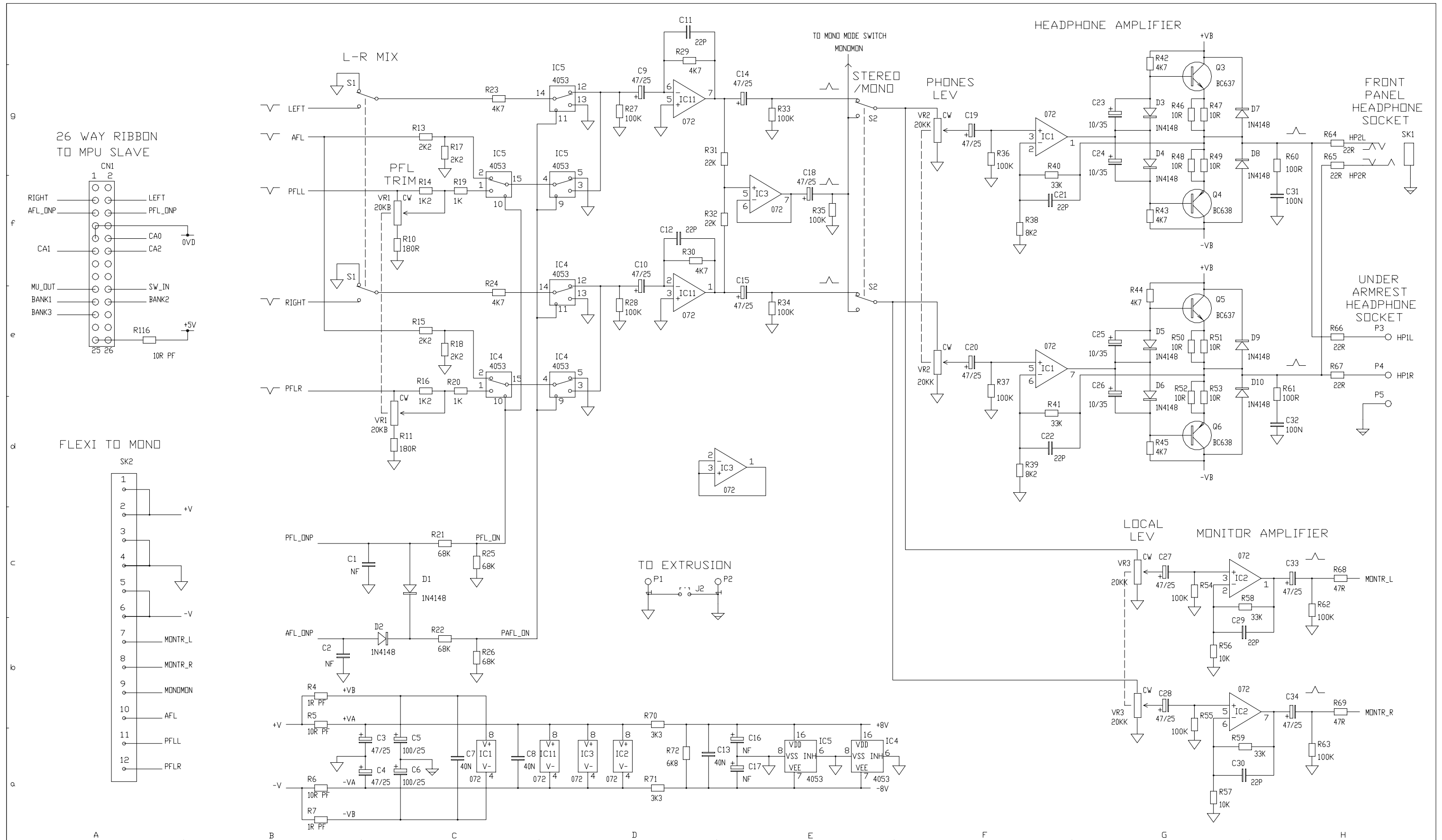
UNIT TITLE	MANUFACTURED IN ENGLAND BY
GL4800	ALLEN & HEATH
DRAWING TITLE	DRAWING No. C2625
MONO PCB	ISSUE 3.2
PCB TYPE AG2625	A2

ISS.	REVISION	BY DATE	NOTES
1	PRODUCTION	DRP18-10-96	1. RESISTORS MARKED * ARE 1% ALL OTHERS ARE 5% 1/4W UNLESS OTHERWISE MARKED
2	UPDATES	DLP26-11-96	
3	VALUE CHANGES	DWD20-03-97	
3.1	C37 NF	DWD21-01-00	2. ELECTROLYTIC CAPACITORS ARE ?F/VOLTS
3.2	TALKBACK EARTHING CH LED COLS FOR 4800	AAT 01-07-05	

UNIT TITLE	MANUFACTURED IN ENGLAND BY
GL4800	ALLEN & HEATH
DRAWING TITLE	DRAWING No. C2625
MONO PCB	ISSUE 3.2
PCB TYPE AG2625	A2





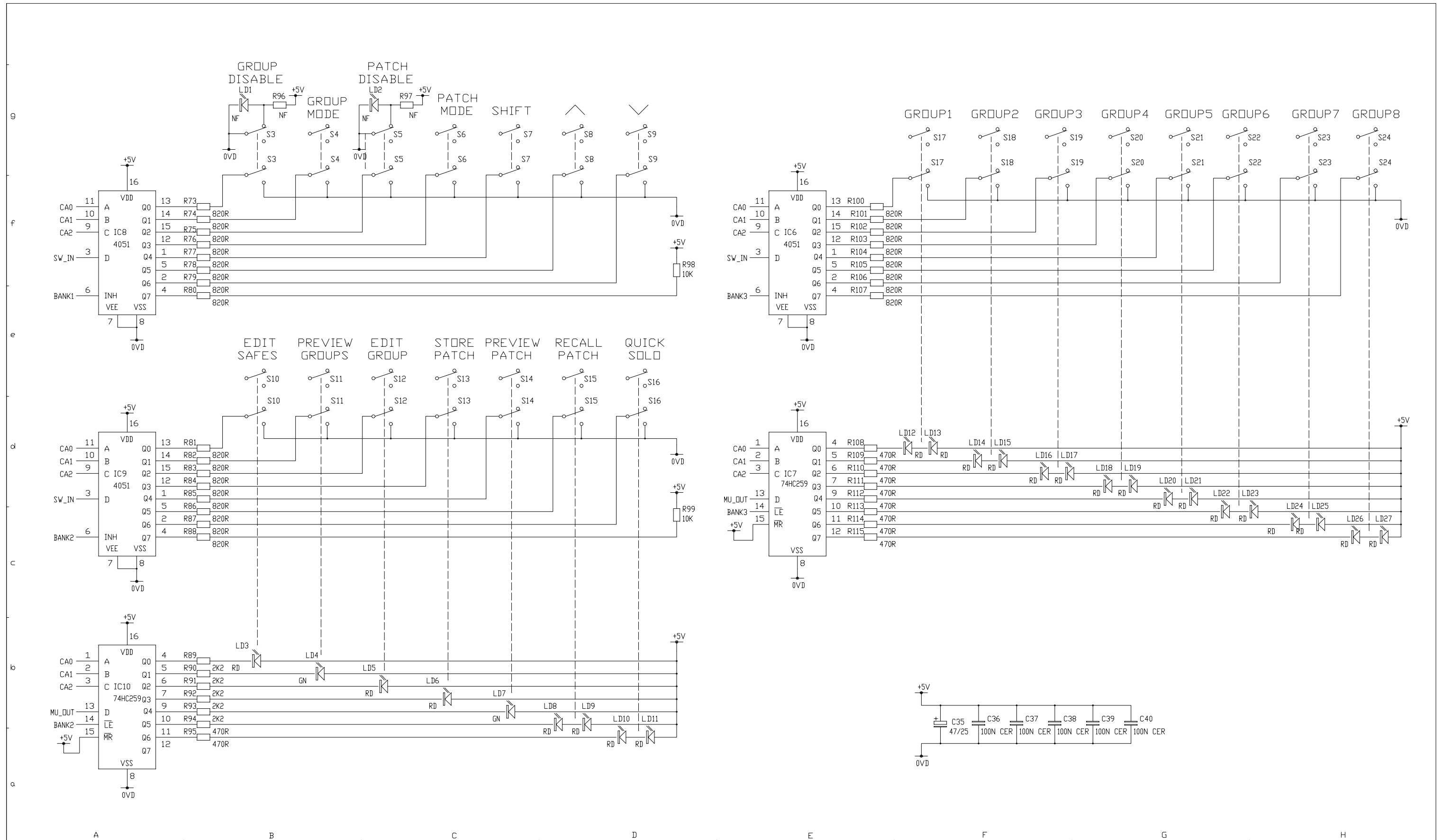


ISS.	REVISION	BY	DATE
A	ORIGIN	DLP	6-8-96
1	PRODUCTION	AAT21	10-96
2	VALUE CHANGES	DWD20	03-97

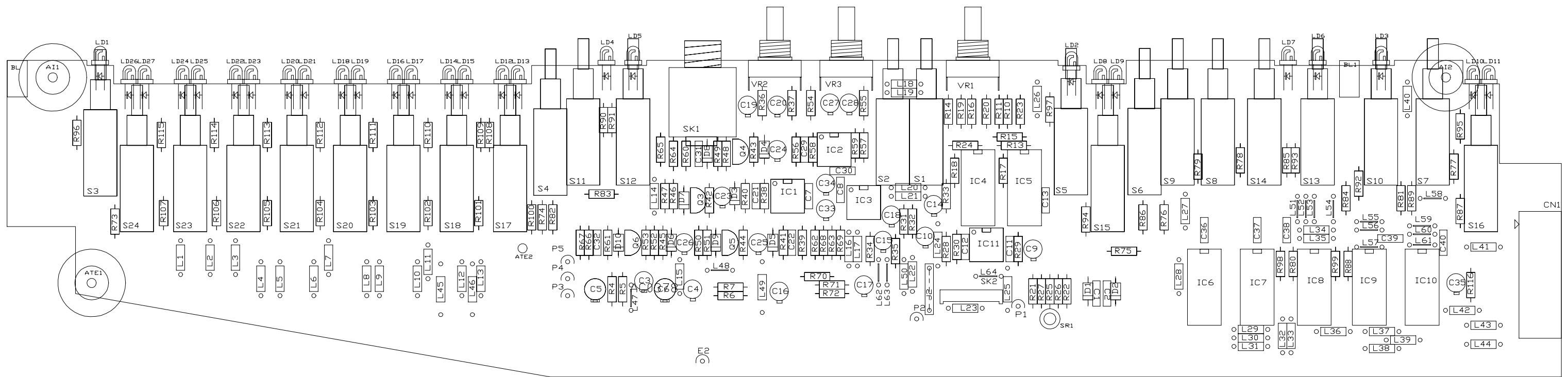
NOTES
1. RESISTORS MARKED * ARE 1% ALL OTHERS ARE 5% 1/4W UNLESS OTHERWISE MARKED
2. ELECTROLYTIC CAPACITORS ARE ?F/VOLTS

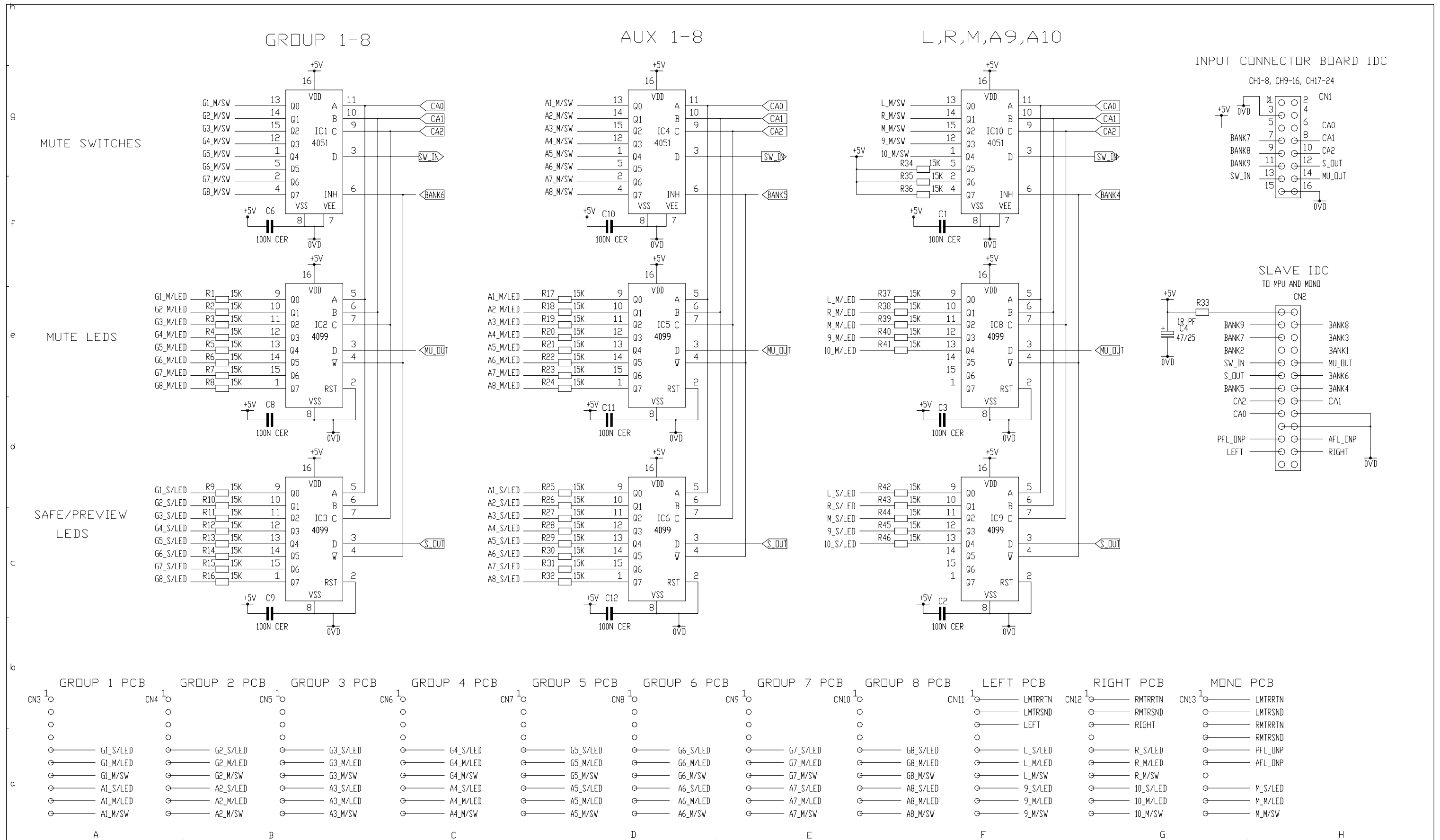
UNIT TITLE	GL4800	PAGE 1 OF 2
DRAWING TITLE	MASTER CIRCUIT DIAGRAM	
	PCB TYPE AG2626	

MANUFACTURED IN ENGLAND BY	
ALLEN & HEATH	
DRAWING No.	C2626
ISSUE	2
	A2

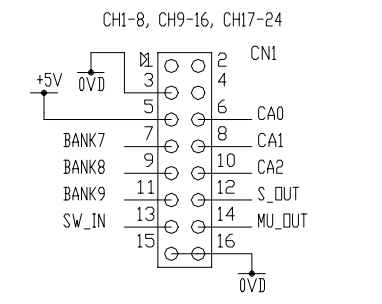


ISS.	REVISION	BY	DATE	NOTES	UNIT TITLE	MANUFACTURED IN ENGLAND BY
A	ORIGIN	DLP	6-8-96	1. RESISTORS MARKED * ARE 1% ALL OTHERS ARE 5% 1/4W UNLESS OTHERWISE MARKED	GL4800 PAGE 2 OF 2	ALLEN & HEATH
1	PRODUCTION	AAT21	10-96	2. ELECTROLYTIC CAPACITORS ARE 7F/VOLTS	DRAWING TITLE MASTER CIRCUIT DIAGRAM PCB TYPE AG2626	DRAWING No. C2626 ISSUE 2
2	VALUE CHANGES	DWD20	03-97			A2

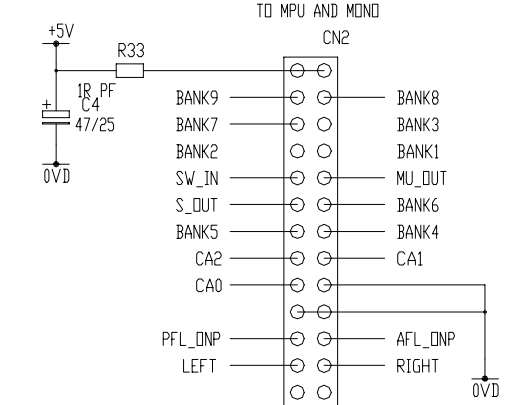




INPUT CONNECTOR BOARD IDC

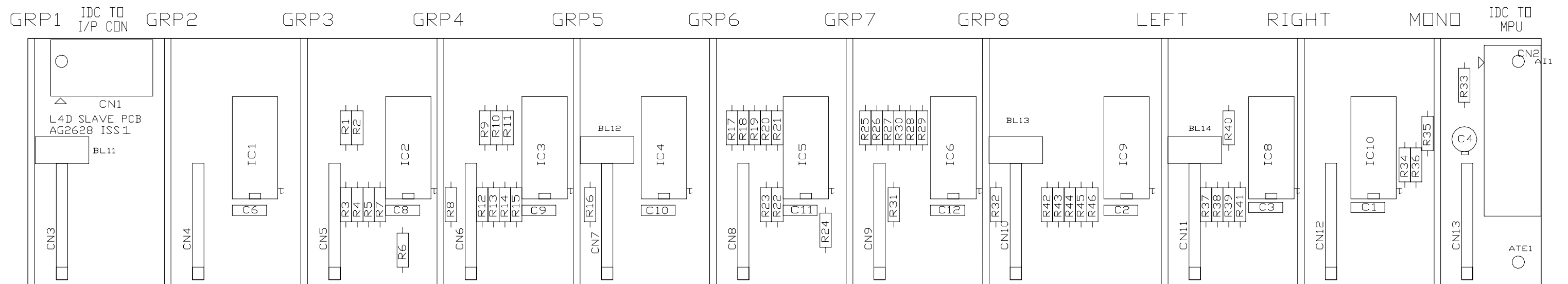


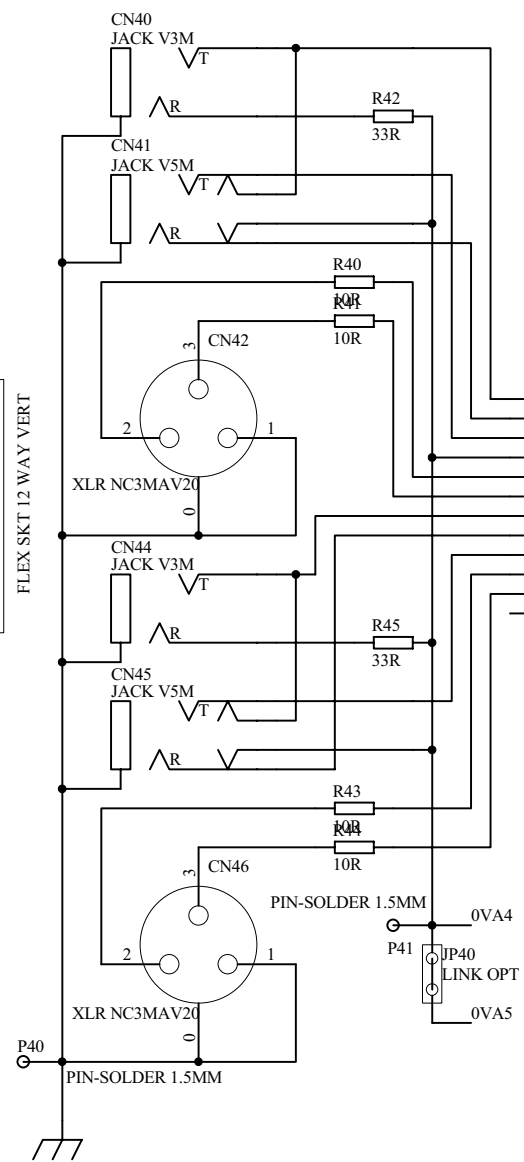
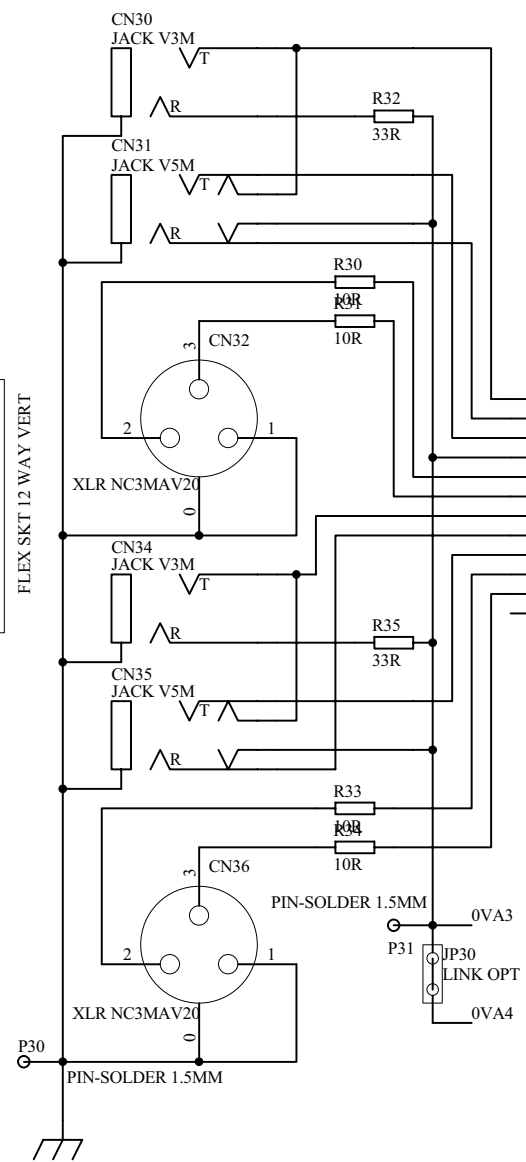
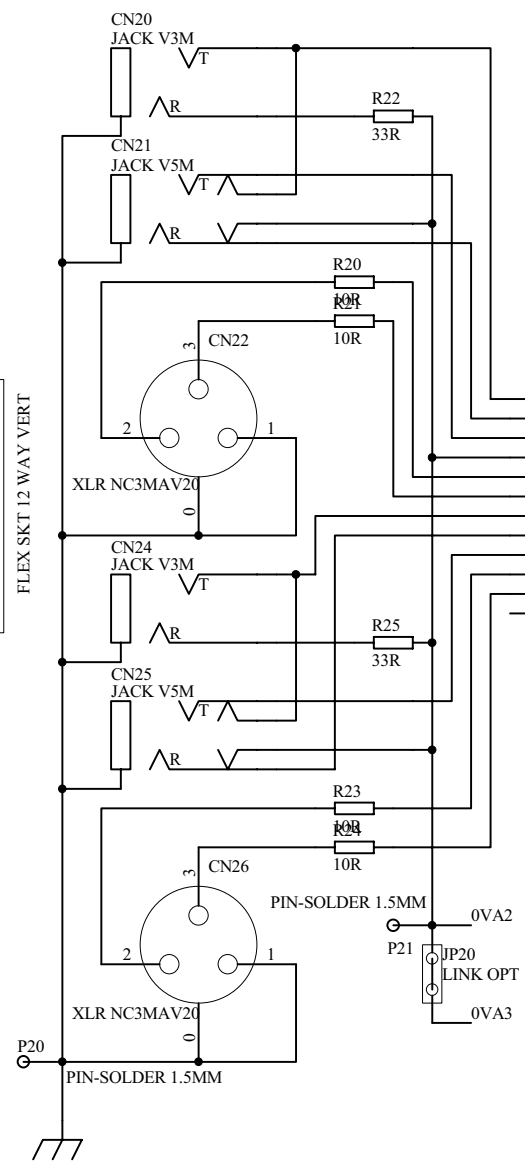
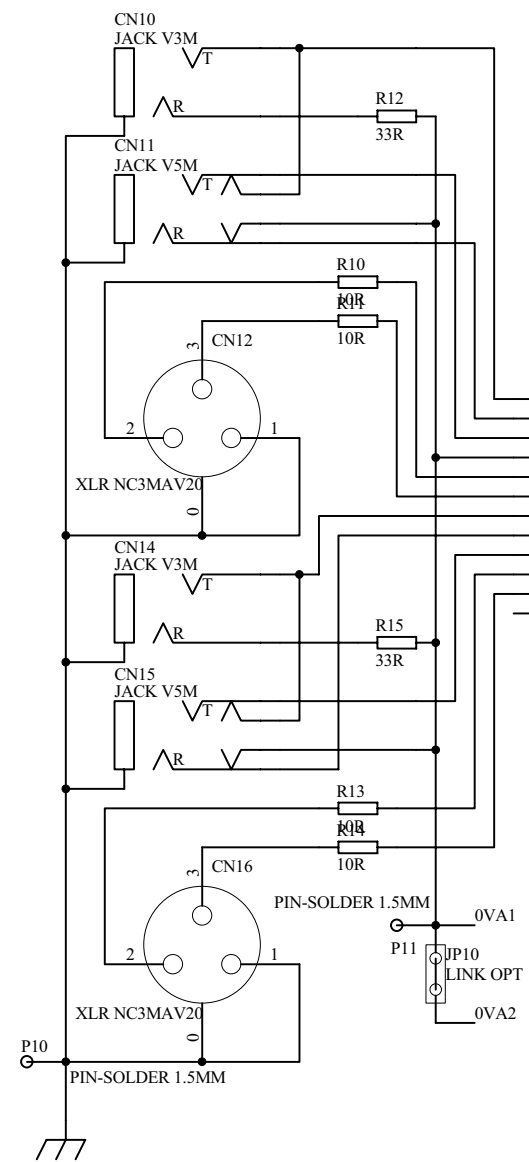
SLAVE IDC TO MPU AND MONO



GROUP 1 PCB	GROUP 2 PCB	GROUP 3 PCB	GROUP 4 PCB	GROUP 5 PCB	GROUP 6 PCB	GROUP 7 PCB	GROUP 8 PCB	LEFT PCB	RIGHT PCB	MONO PCB
CN3 1	CN4 1	CN5 1	CN6 1	CN7 1	CN8 1	CN9 1	CN10 1	CN11 1	CN12 1	CN13 1
G1_S/LED	G2_S/LED	G3_S/LED	G4_S/LED	G5_S/LED	G6_S/LED	G7_S/LED	G8_S/LED	L_S/LED	R_S/LED	LMTRRTN
G1_M/LED	G2_M/LED	G3_M/LED	G4_M/LED	G5_M/LED	G6_M/LED	G7_M/LED	G8_M/LED	L_M/LED	R_M/LED	LMTRSND
G1_M/SW	G2_M/SW	G3_M/SW	G4_M/SW	G5_M/SW	G6_M/SW	G7_M/SW	G8_M/SW	L_M/SW	R_M/SW	RMTRRTN
A1_S/LED	A2_S/LED	A3_S/LED	A4_S/LED	A5_S/LED	A6_S/LED	A7_S/LED	A8_S/LED	9_S/LED	10_S/LED	RMTRSND
A1_M/LED	A2_M/LED	A3_M/LED	A4_M/LED	A5_M/LED	A6_M/LED	A7_M/LED	A8_M/LED	9_M/LED	10_M/LED	PFL_DNP
A1_M/SW	A2_M/SW	A3_M/SW	A4_M/SW	A5_M/SW	A6_M/SW	A7_M/SW	A8_M/SW	9_M/SW	10_M/SW	AFL_DNP
										M_S/LED
										M_M/LED
										M_M/SW

ISS.	REVISION	BY	DATE	NOTES	UNIT TITLE	MANUFACTURED IN ENGLAND BY
A	ORIGIN	DLP	30/7/96	1. RESISTORS MARKED * ARE 1% ALL OTHERS ARE 5% 1/4W UNLESS OTHERWISE MARKED 2. ELECTROLYTIC CAPACITORS ARE ?F/VOLTS	GL4800	ALLEN & HEATH
1	PRODUCTION	AAT	25/9/96		SLAVE CARD	DRAWING No. C2628 ISSUE 1
					PCB TYPE AG2628	A2





ALLEN&HEATH

Kernick Industrial Estate,
Penryn, Cornwall,
England. TR10 9LU
Tel: +44 (0)1326 372070
Fax: +44 (0)1326 370153

ISSUE	BY	DATE	CHK BY
1	AAT	05-01-05	XXX
2	AAT	02-03-05	XXX
3	AAT	23-03-05	XXX

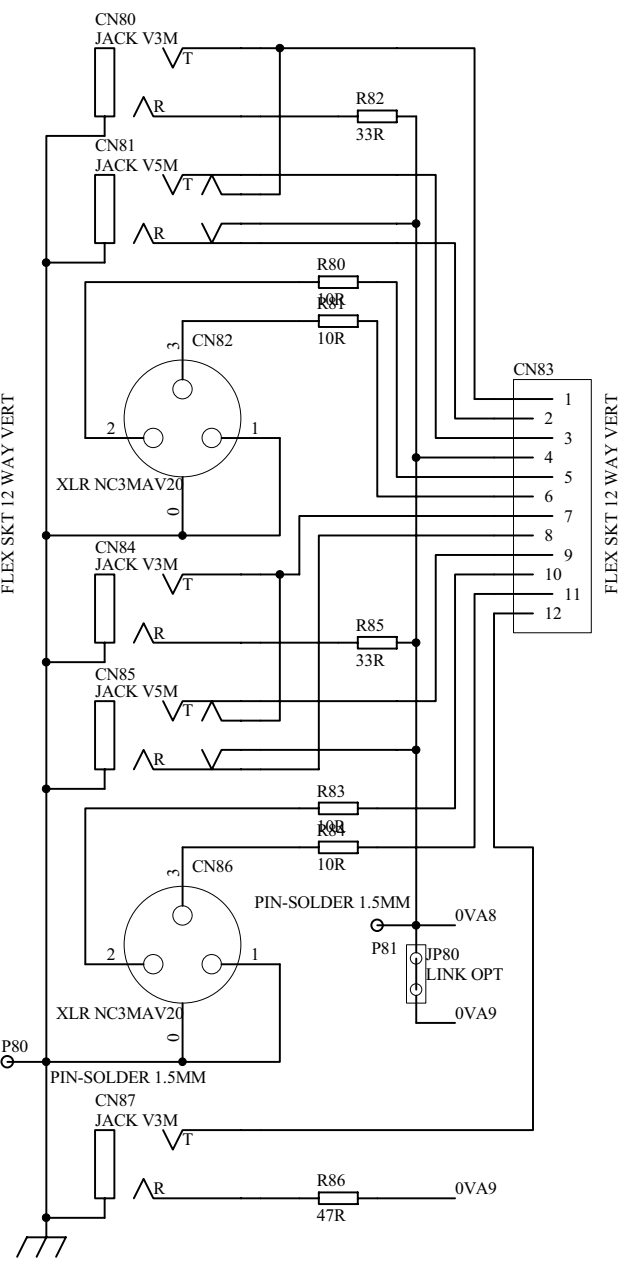
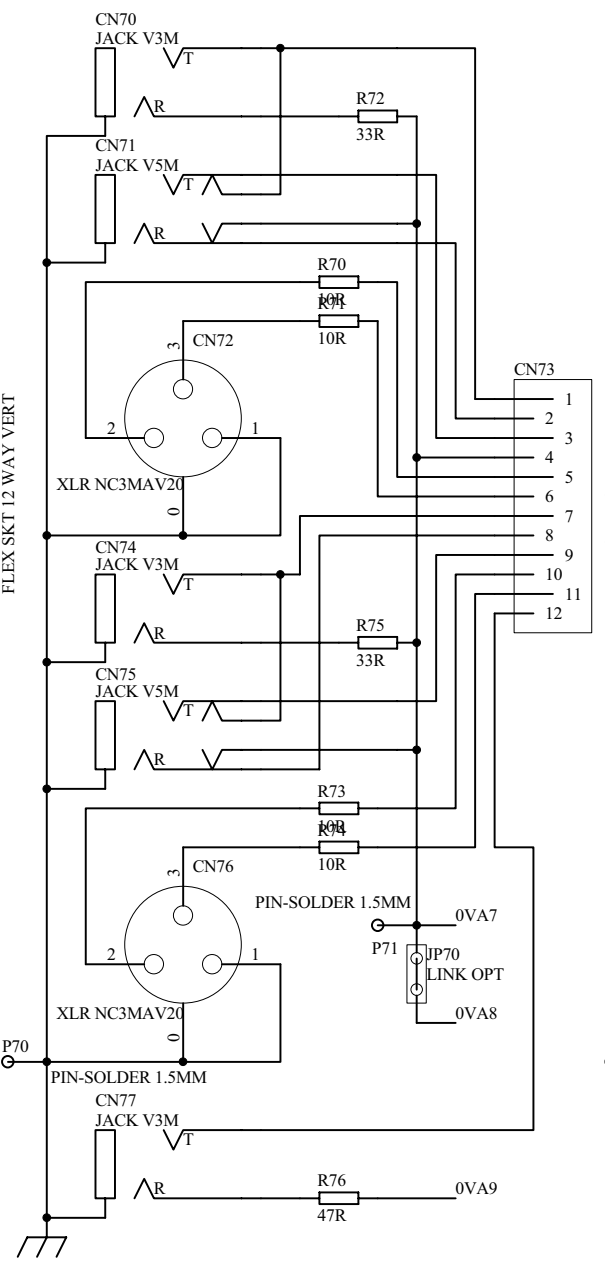
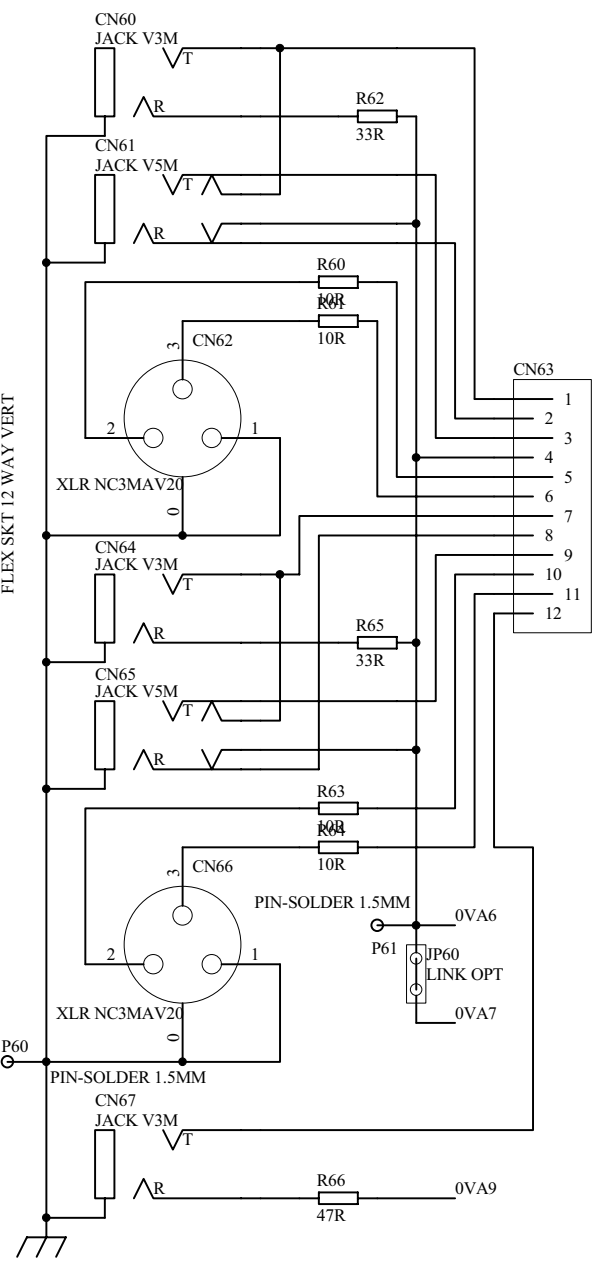
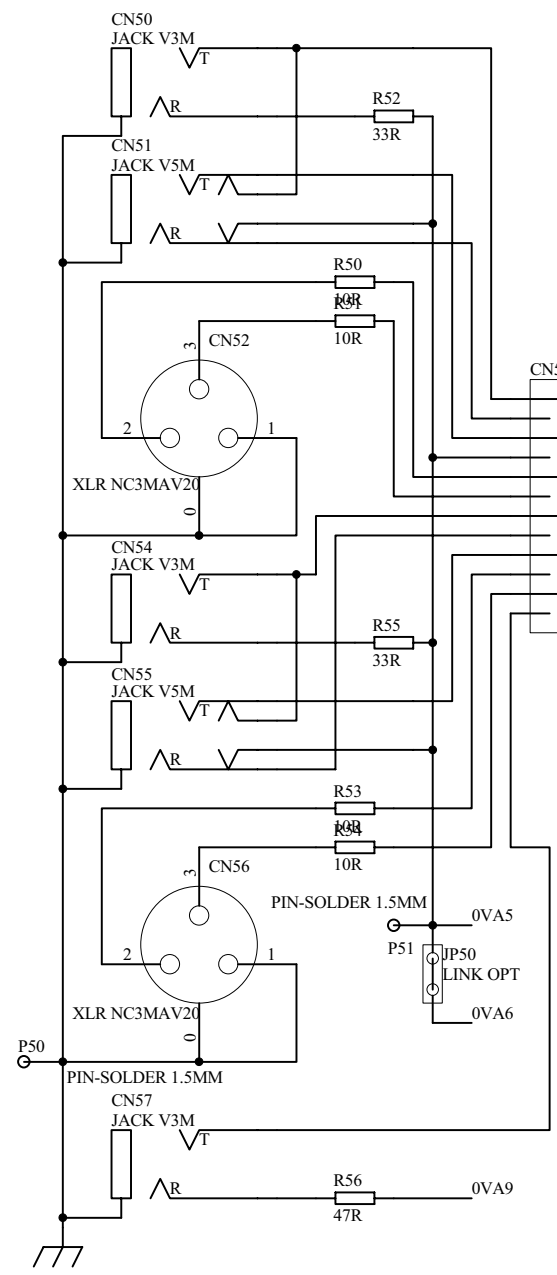
FILE: C6079_3P1.Sch

PRINTED: 11:51:23 10-May-2005

TITLE: **GL4800 MASCO PCB**
PAGE:

DRG No: **C6079** ISSUE: **3** SHEET: **1 OF 3**

003-420 iss.3



ALLEN&HEATH

Kernick Industrial Estate,
Penryn, Cornwall,
England. TR10 9LU
Tel: +44 (0)1326 372070
Fax: +44 (0)1326 370153

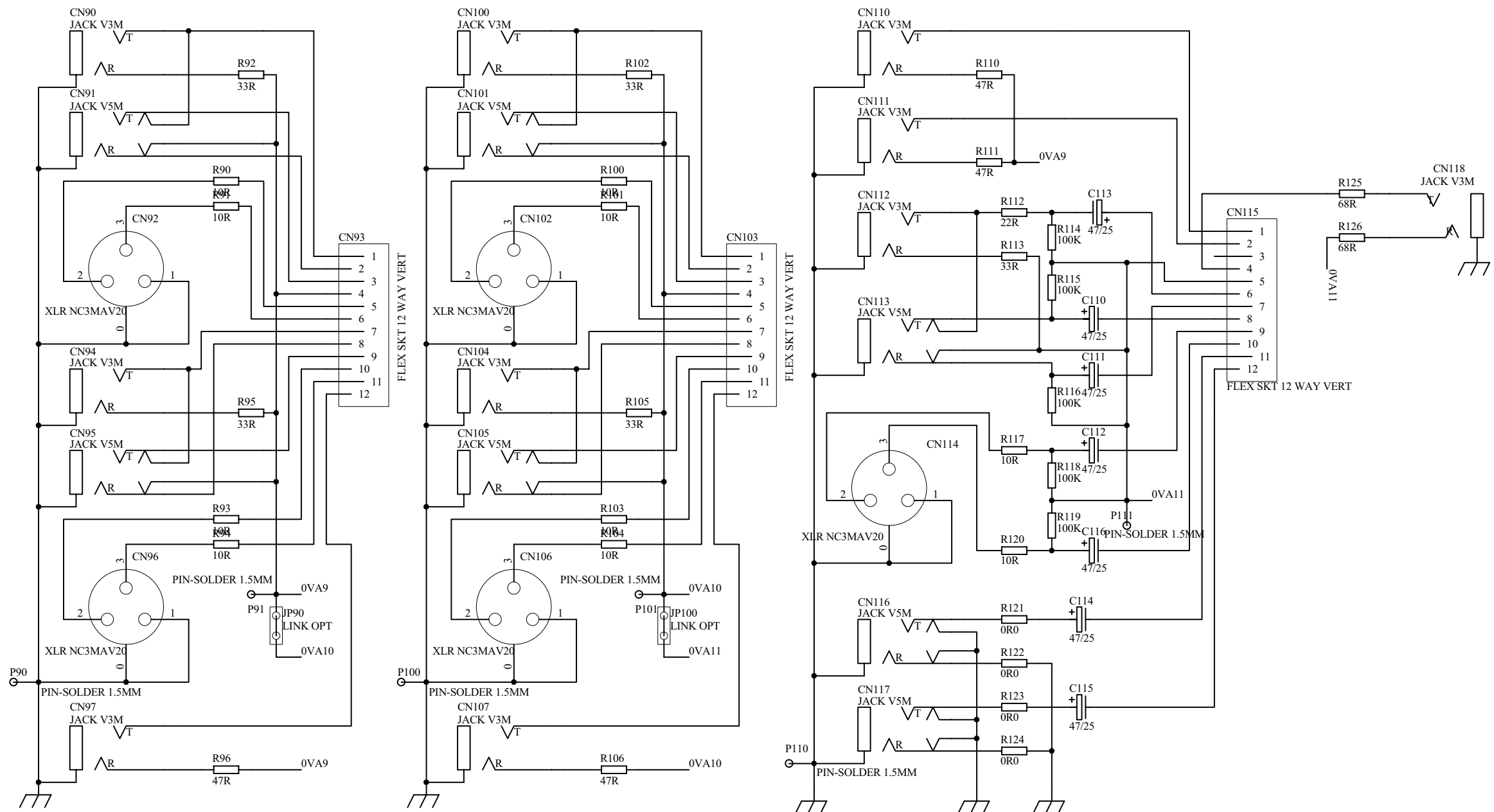
ISSUE	BY	DATE	CHK BY
1	AAT	05-01-05	XXX
2	AAT	02-03-05	XXX
3	AAT	23-03-05	XXX

FILE: C6079_3P2.Sch

TITLE: **GL4800 MASCO PCB**
PAGE:

DRG No: **C6079** ISSUE: **3** SHEET: **2 OF 3**

PRINTED: 11:51:23 10-May-2005



ALLEN&HEATH

Kernick Industrial Estate,
Penryn, Cornwall,
England. TR10 9LU
Tel: +44 (0)1326 372070
Fax: +44 (0)1326 370153

ISSUE	BY	DATE	CHK BY
1	AAT	05-01-05	XXX
2	AAT	02-03-05	XXX
3	AAT	23-03-05	XXX

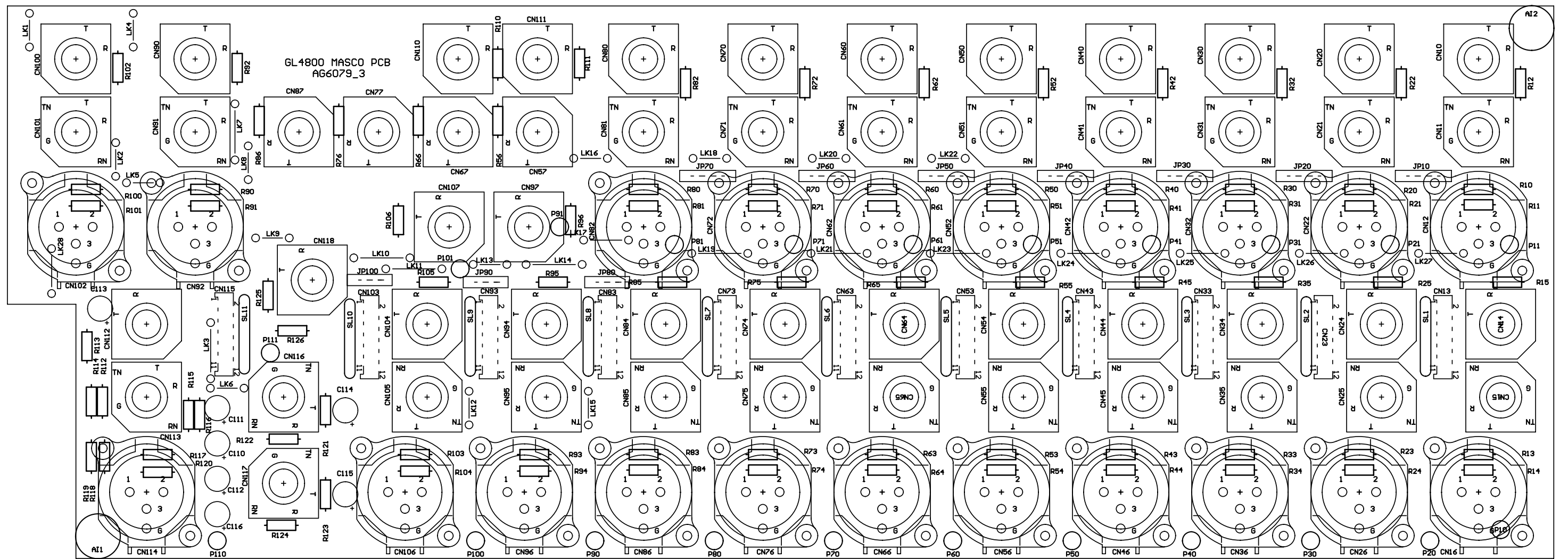
FILE: C6079_3P3.Sch

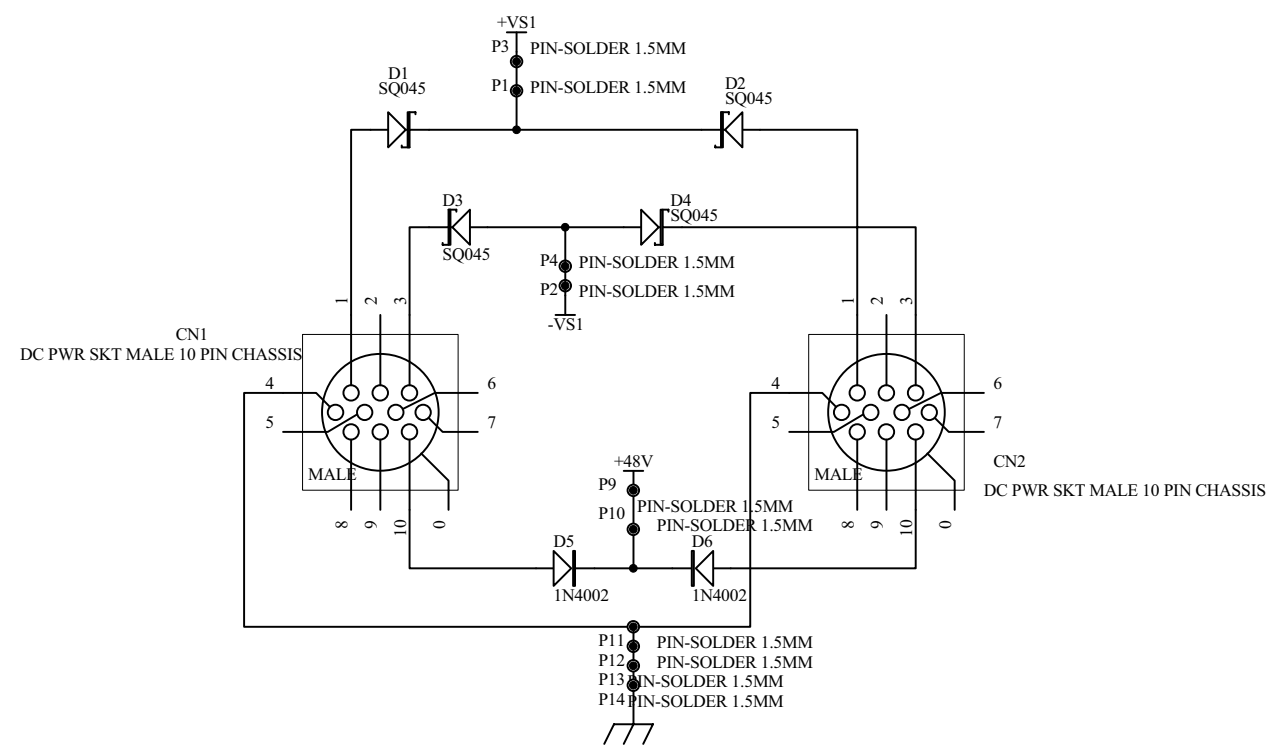
TITLE: GL4800 MASCO PCB
PAGE:

PRINTED: 11:51:23 10-May-2005

DRG No: C6079 ISSUE: 3 SHEET: 3 OF 3

003-420 iss.3





A11
HOLE-AI

A12
SLOT-AI

ALLEN&HEATH

Kernick Industrial Estate,
Penryn, Cornwall,
England. TR10 9LU

Tel: +44 (0)1326 372070
Fax: +44 (0)1326 370153

ISSUE	BY	DATE	CHK BY
B	MG	25/02/05	

FILE: C6161_B.Sch

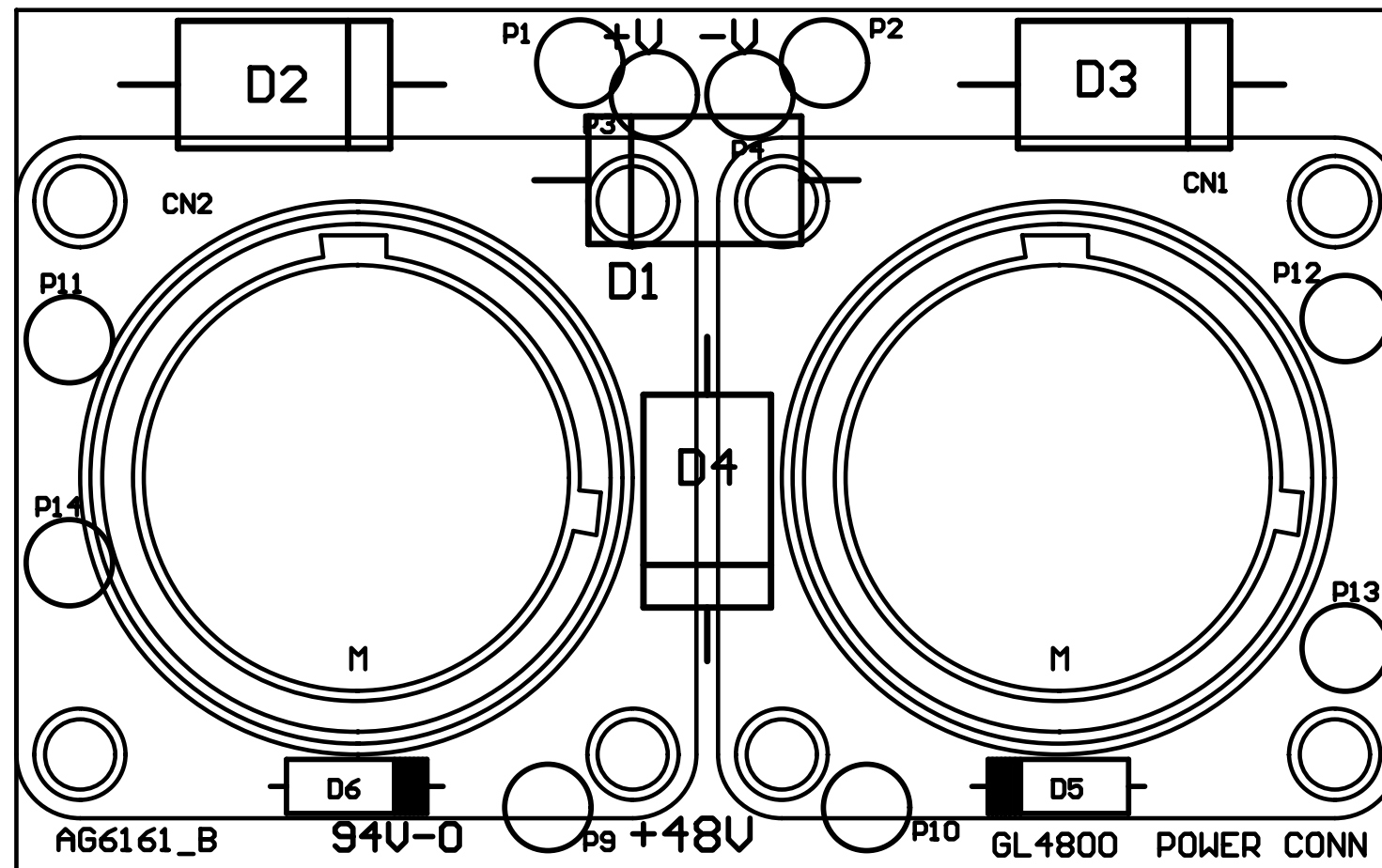
PRINTED: 12:06:52 10-May-2005

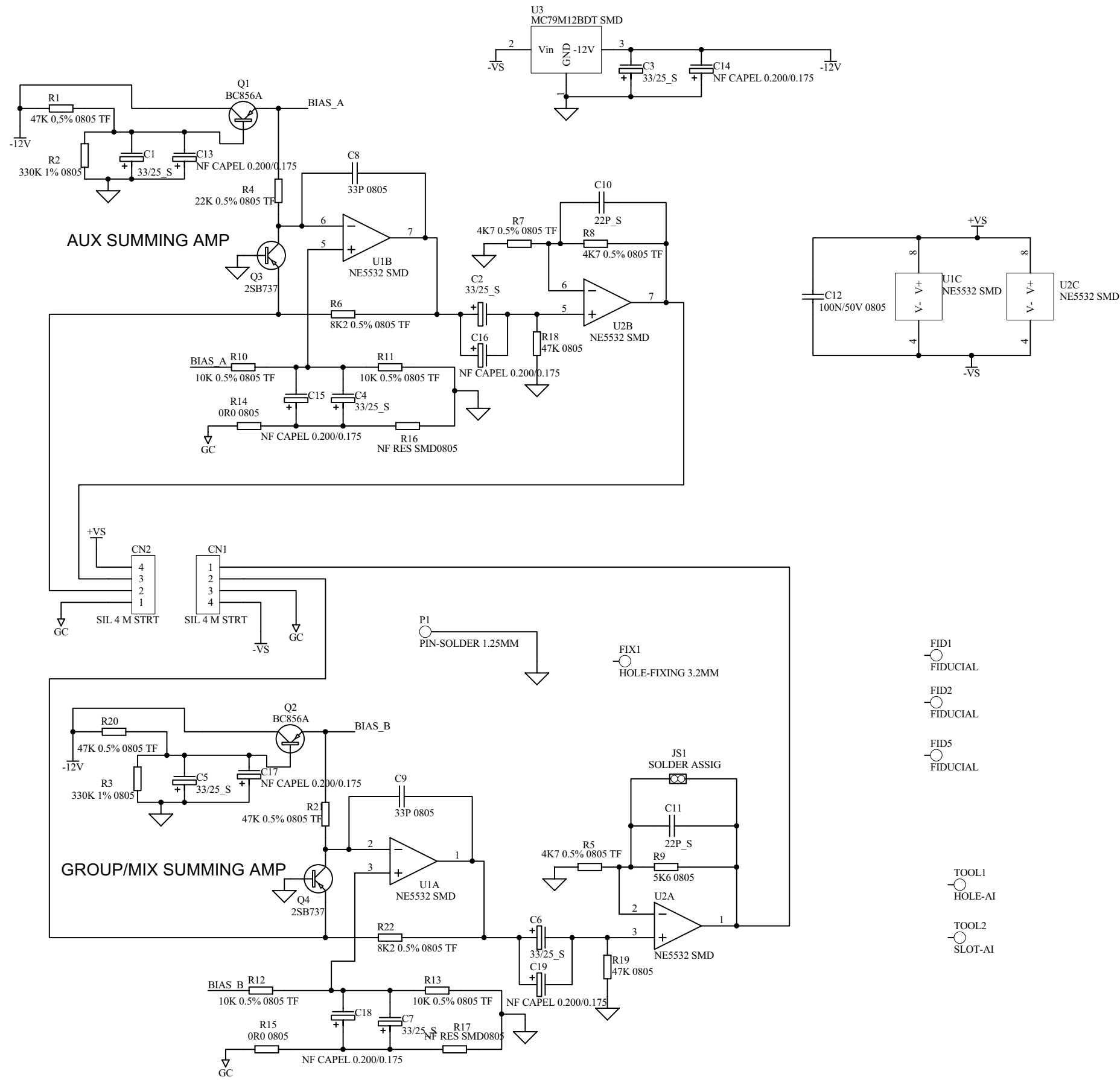
TITLE: GL4800 POWER CONN PCB

PAGE:

DRG No: 6161 ISSUE: B SHEET: 1 OF 1

003-423 iss.B



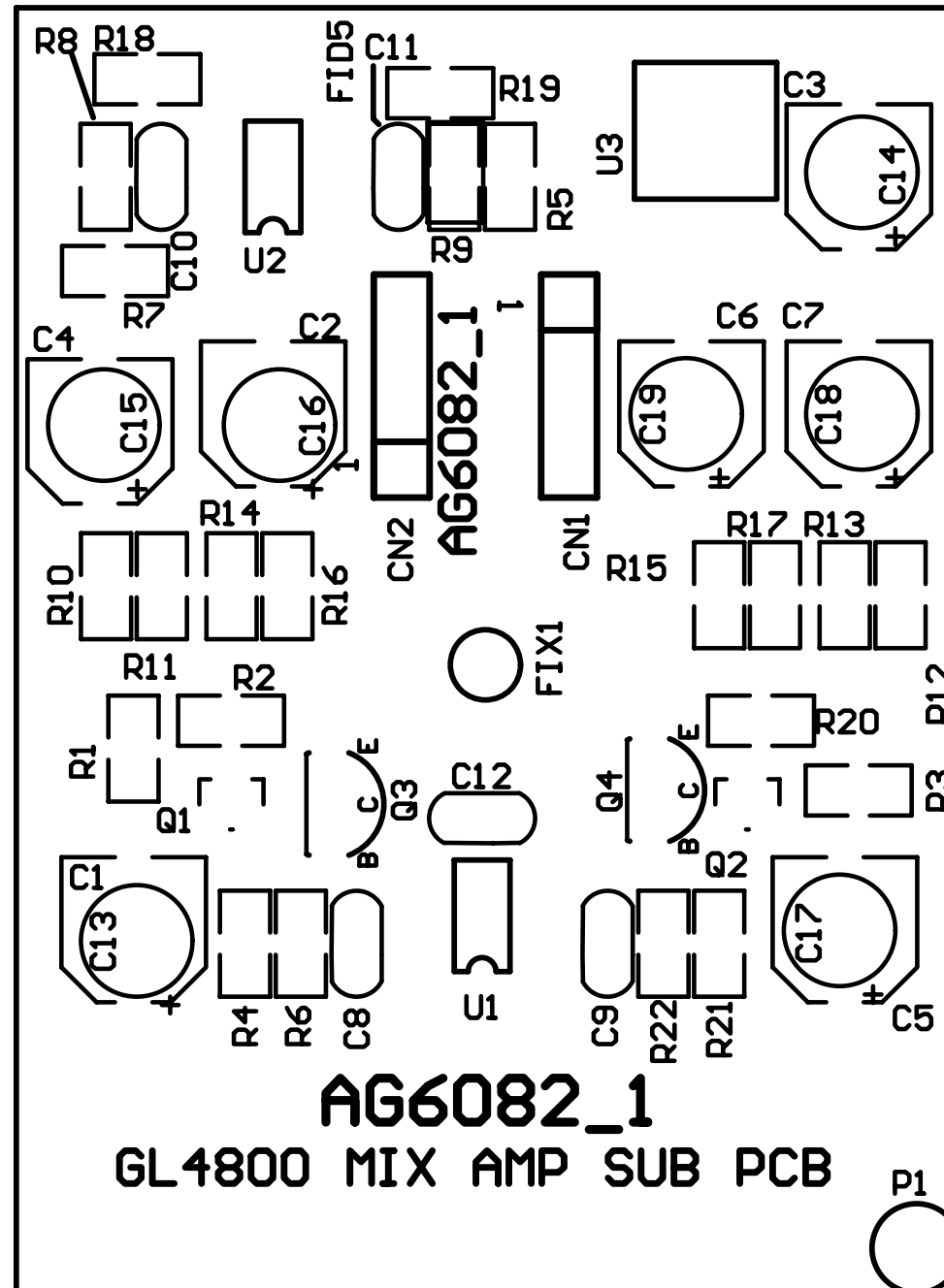


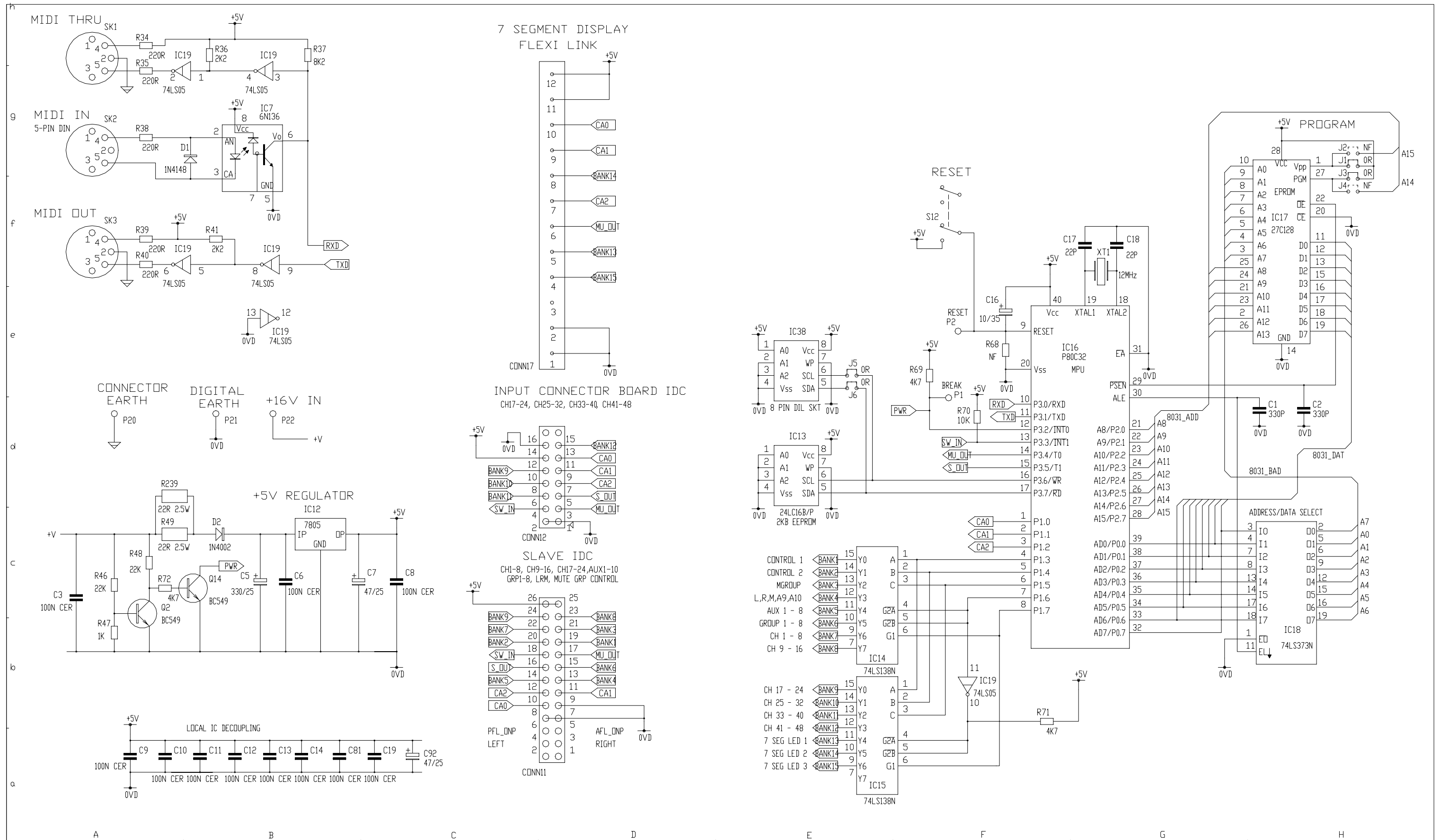
- FID1 FIDUCIAL
- FID2 FIDUCIAL
- FID5 FIDUCIAL
- TOOL1 HOLE-AI
- TOOL2 SLOT-AI

ALLEN&HEATH Kernick Industrial Estate, Penryn, Cornwall, England. TR10 9LU Tel: +44 (0)1326 372070 Fax: +44 (0)1326 370153	ISSUE	BY	DATE	CHK BY
	1	MG	02/03/05	

FILE: C6082_1.Sch	PRINTED: 11:24:29 10-May-2005
-------------------	-------------------------------

TITLE: GL4800 MIX AMP SUB PCB
PAGE:
DRG No: 6082 ISSUE: 1 SHEET: 1 OF 1



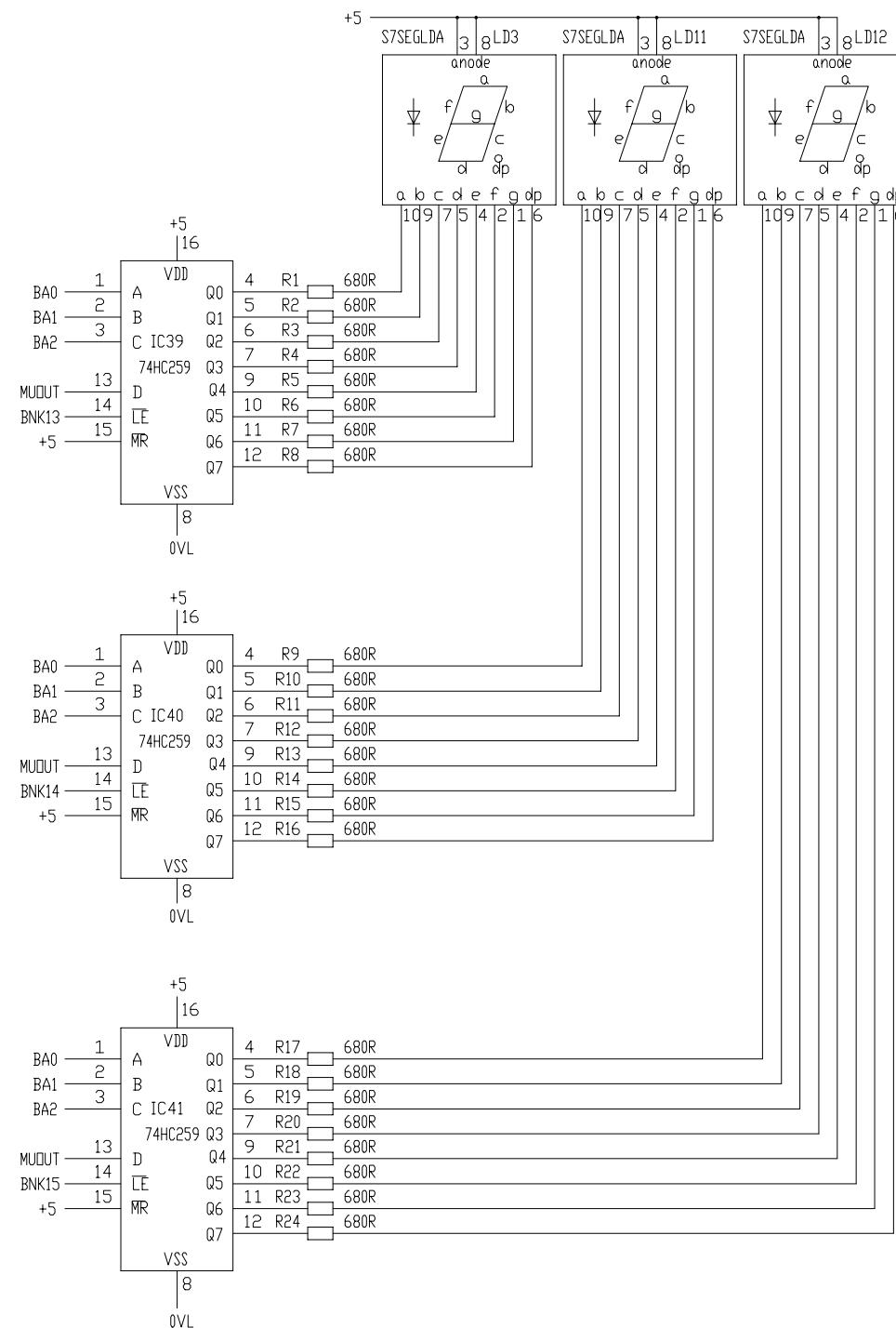
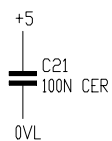
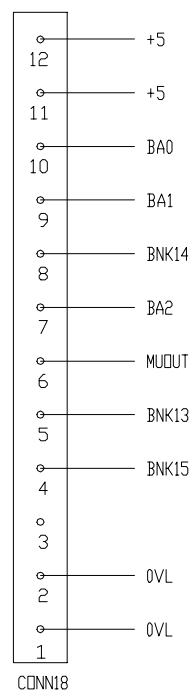


ISS.	REVISION	BY	DATE	NOTES	UNIT TITLE	MANUFACTURED IN ENGLAND BY
A	ORIGIN	DLP	13/8/96	1. RESISTORS MARKED * ARE 1% ALL OTHERS ARE 5% 1/4W UNLESS OTHERWISE MARKED 2. ELECTROLYTIC CAPACITORS ARE ?F/VOLTS	GL4800 PAGE 1 OF 2 DRAWING TITLE MPU CIRCUIT DIAGRAM PCB TYPE AG2624	RG273
B	R1-24 WERE 470R C16 WAS 1/50 IC14,15,16,18 VALUE CHANGED	DRP	9-9-96			ALLEN & HEATH
1	PRODUCTION	AAT	25-09-96		DRAWING No. C2624	ISSUE 1

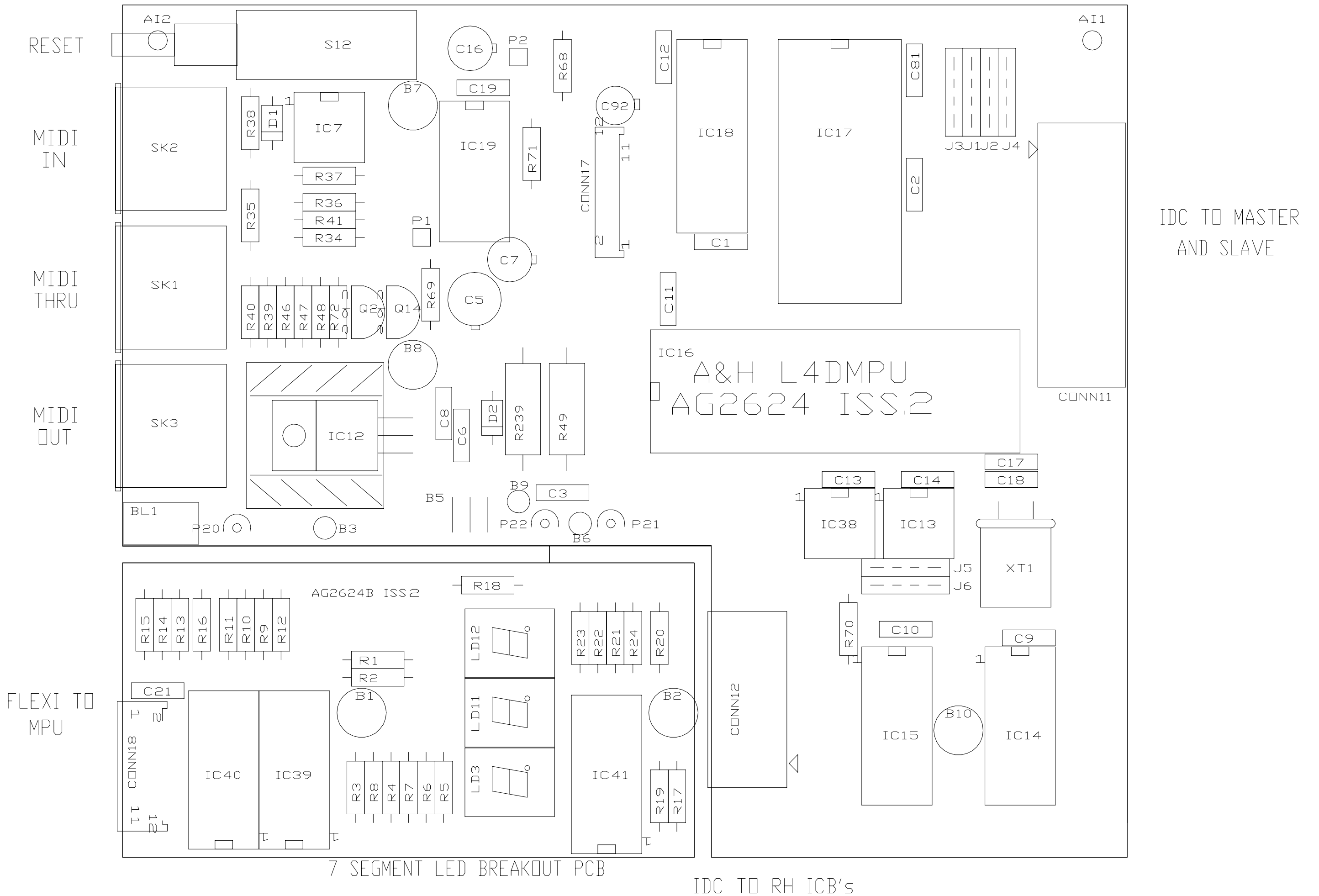
7 SEGMENT LED BOARD AG2624B

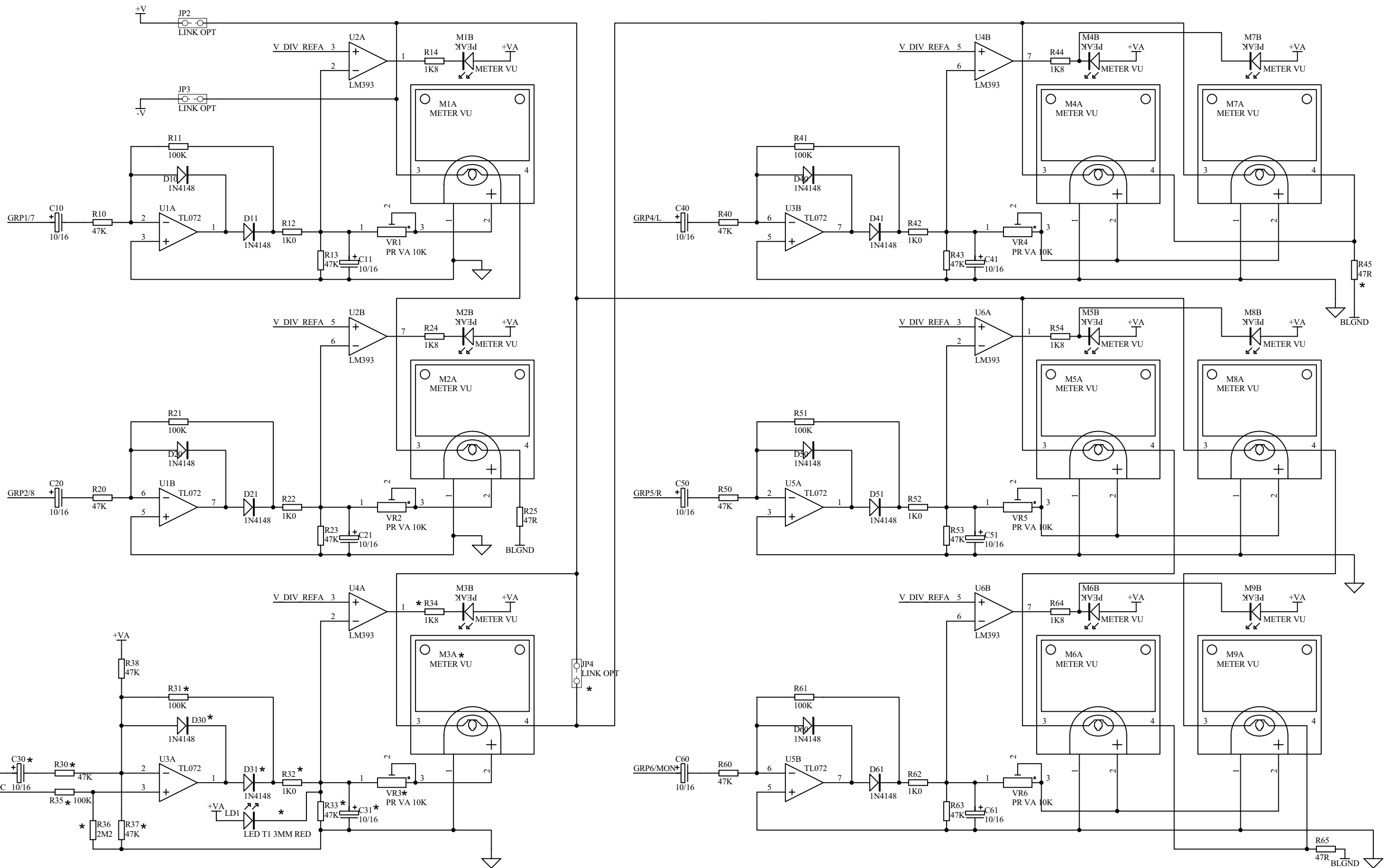
(BREAK OUT FROM MPU)

FLEXI FROM MPU BOARD



ISS.	REVISION	BY	DATE	NOTES	UNIT TITLE	PAGE	OF	MANUFACTURED IN ENGLAND BY	RG273
A	ORIGIN	DLP	13/8/96	1. RESISTORS MARKED * ARE 1% ALL OTHERS ARE 5% 1/4W UNLESS OTHERWISE MARKED	GL4800			ALLEN & HEATH	
B	R1-24 WERE 470R C16 WAS 1/50 IC14,15,16,18 VALUE CHANGED	DRP	9-9-96	2. ELECTROLYTIC CAPACITORS ARE 7F/VOLTS	MPU CIRCUIT DIAGRAM		2		
1	PRODUCTION	AAT	25-09-96		PCB TYPE AG2624			DRAWING No. C2624	ISSUE 1





ISSUE	BY	DATE
A	AAT	19-07-01
1	AAT	14-08-01
2	AAT	13-11-01
2.1	MDG	10-12-01
3	AAT	09-01-02

FILE: C4535_3P2.Sch

PRINTED: 11:26:40 13-Jun-2005

TITLE: GL SERIES METERS

PAGE: METERS AND DRIVERS

DRG No: C4535

ISSUE: 3

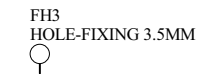
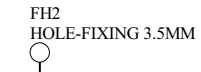
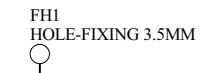
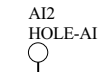
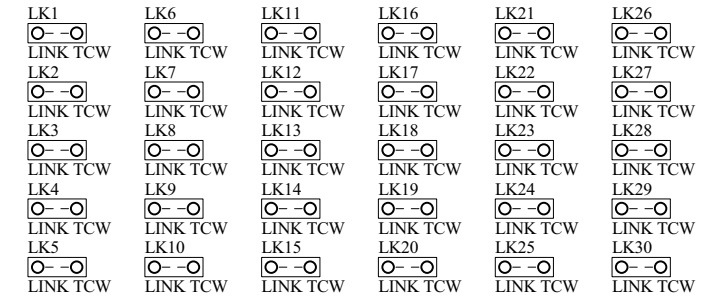
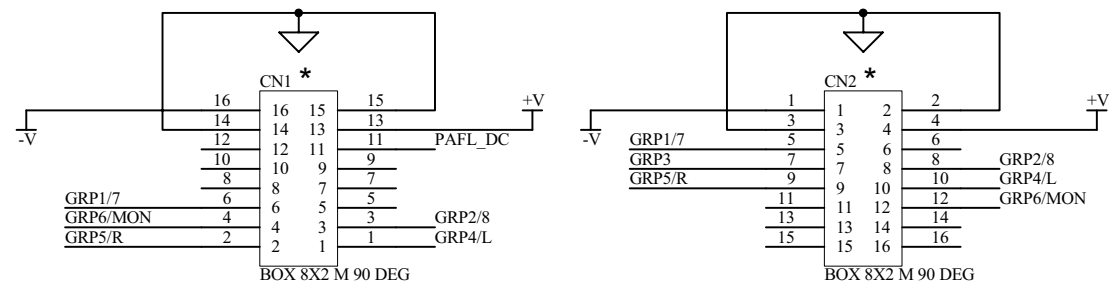
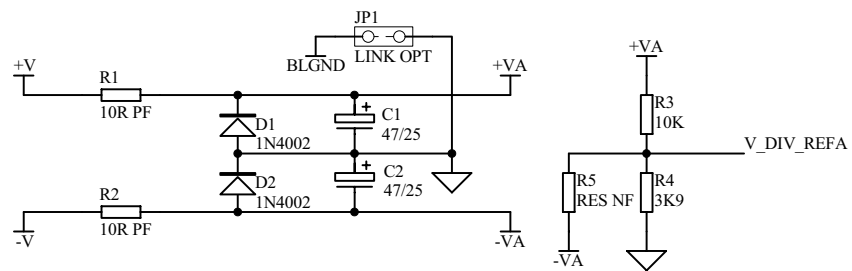
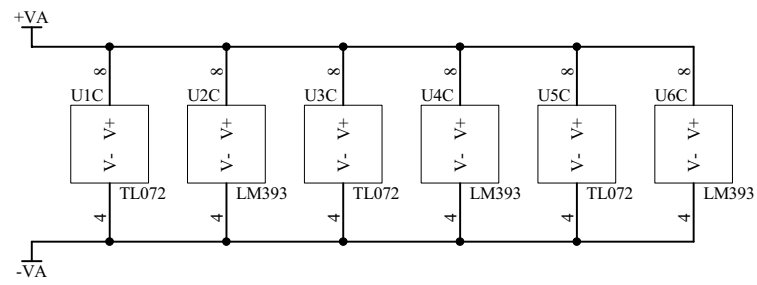
SHEET: 2 OF 3

A3

ALLEN&HEATH

Kernick Industrial Estate,
Penryn, Cornwall,
England. TR10 9LU

Tel: +44 (0)8707 556250
Fax: +44 (0)8707 556251



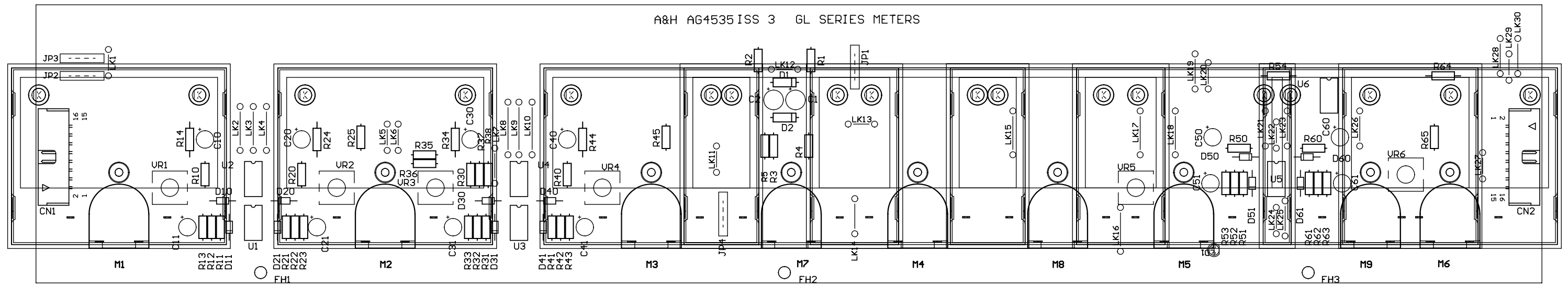
ISSUE	BY	DATE
A	AAT	19-07-01
1	AAT	14-08-01
2	AAT	13-11-01
2.1	MDG	10-12-01
3	AAT	09-01-02

FILE: C4535_3P3.Sch	PRINTED: 11:26:41 13-Jun-2005
---------------------	-------------------------------

TITLE: GL SERIES METERS	PAGE: POWER AND CONNECTORS
DRG No: C4535	ISSUE: 3
SHEET: 3 OF 3	A3

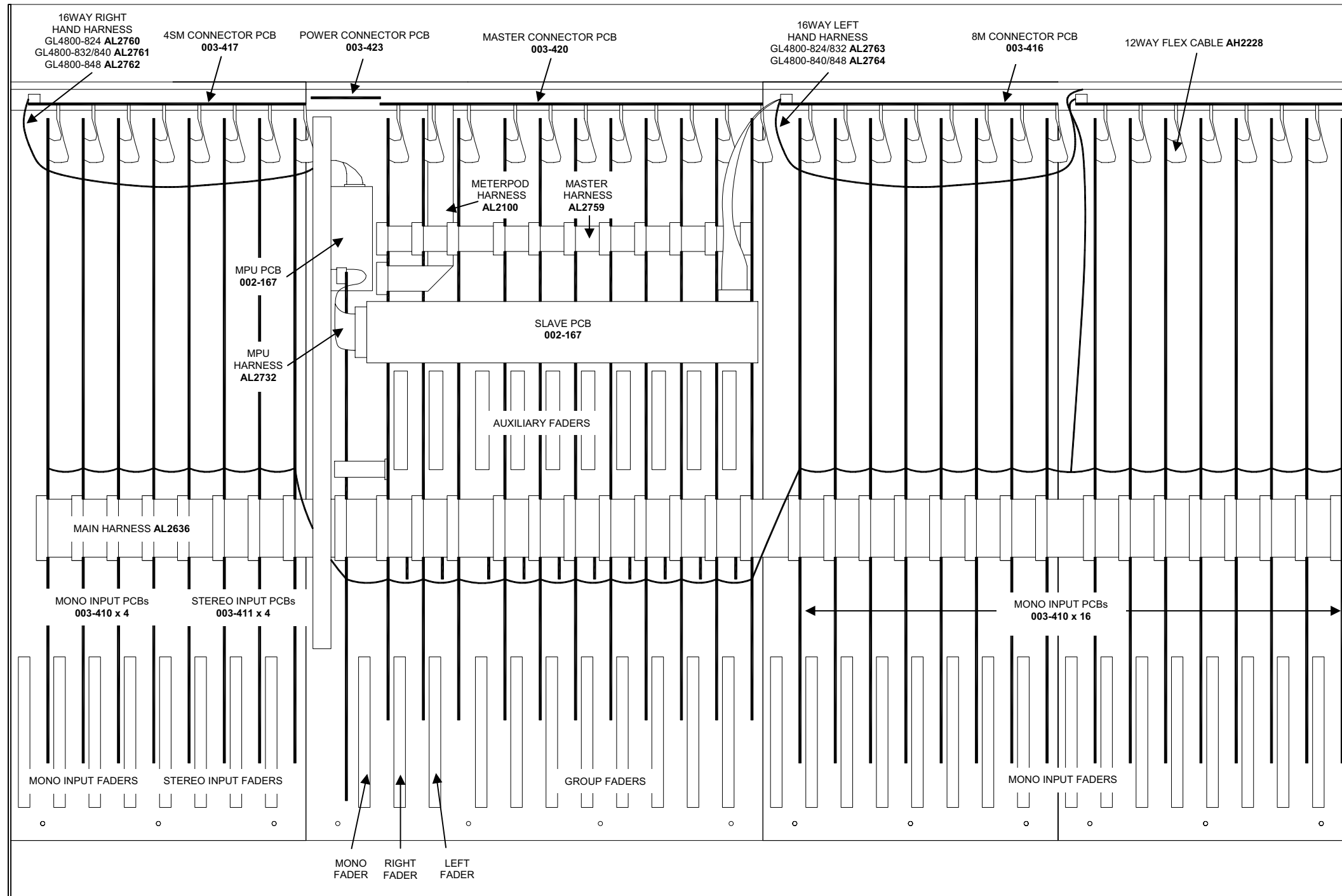
ALLEN&HEATH
 Kernick Industrial Estate,
 Penryn, Cornwall,
 England. TR10 9LU
 Tel: +44 (0)8707 556250
 Fax: +44 (0)8707 556251

A&H AG4535 ISS 3 GL SERIES METERS



GL4800 Internal Layout

(GL4800-824B shown)

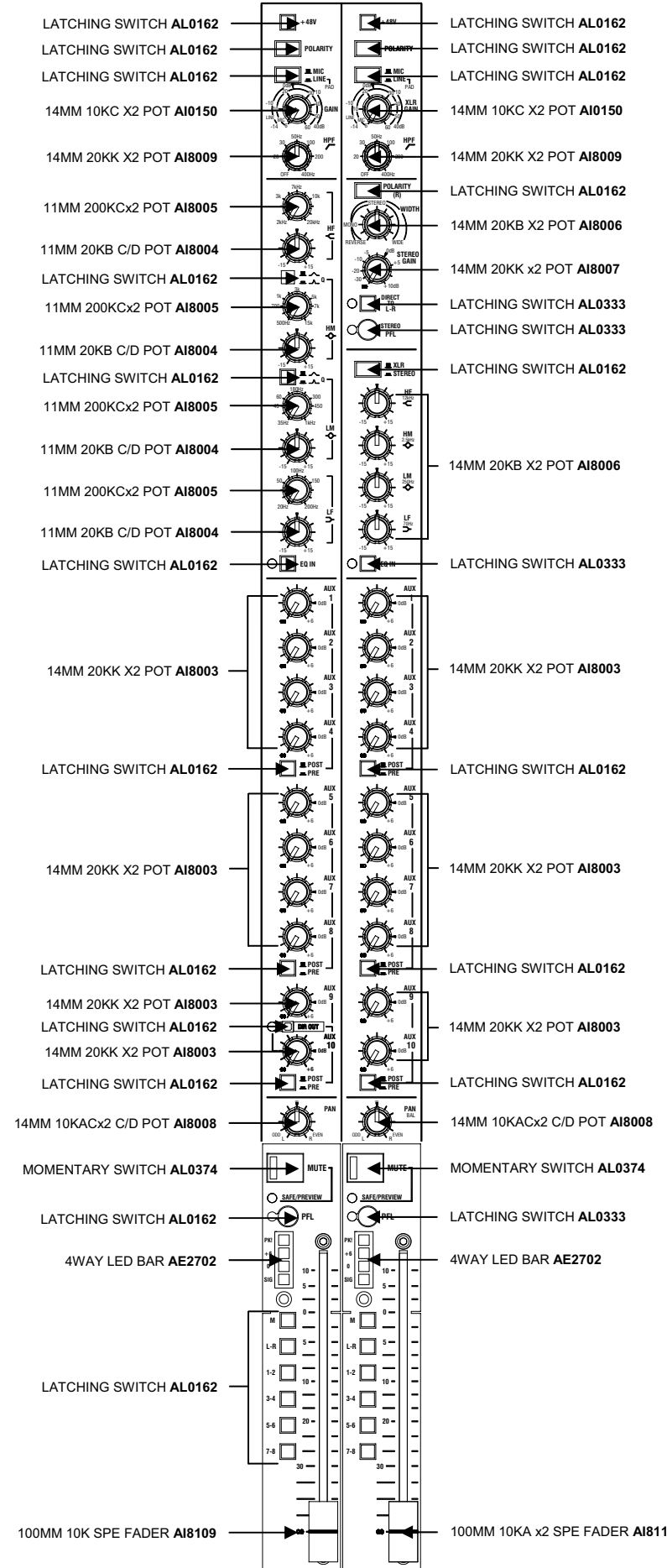
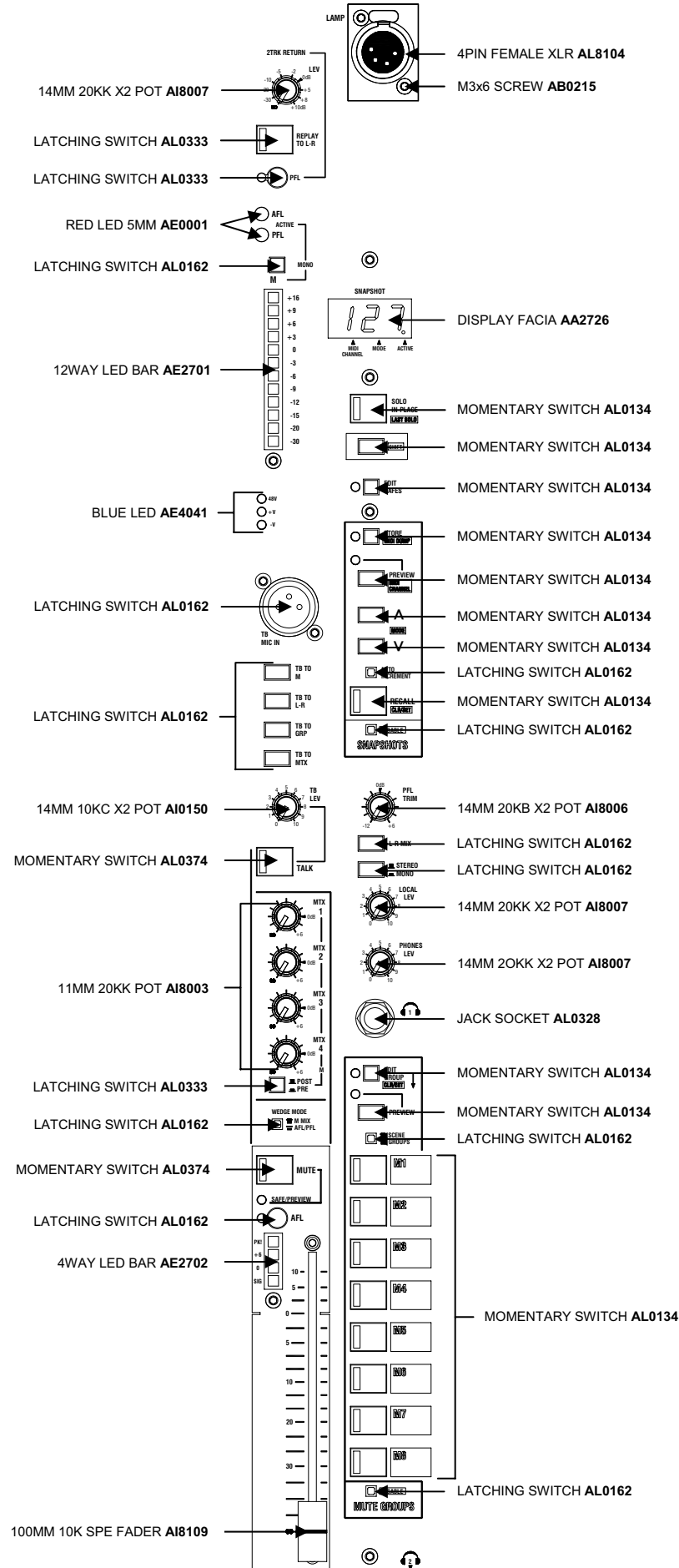
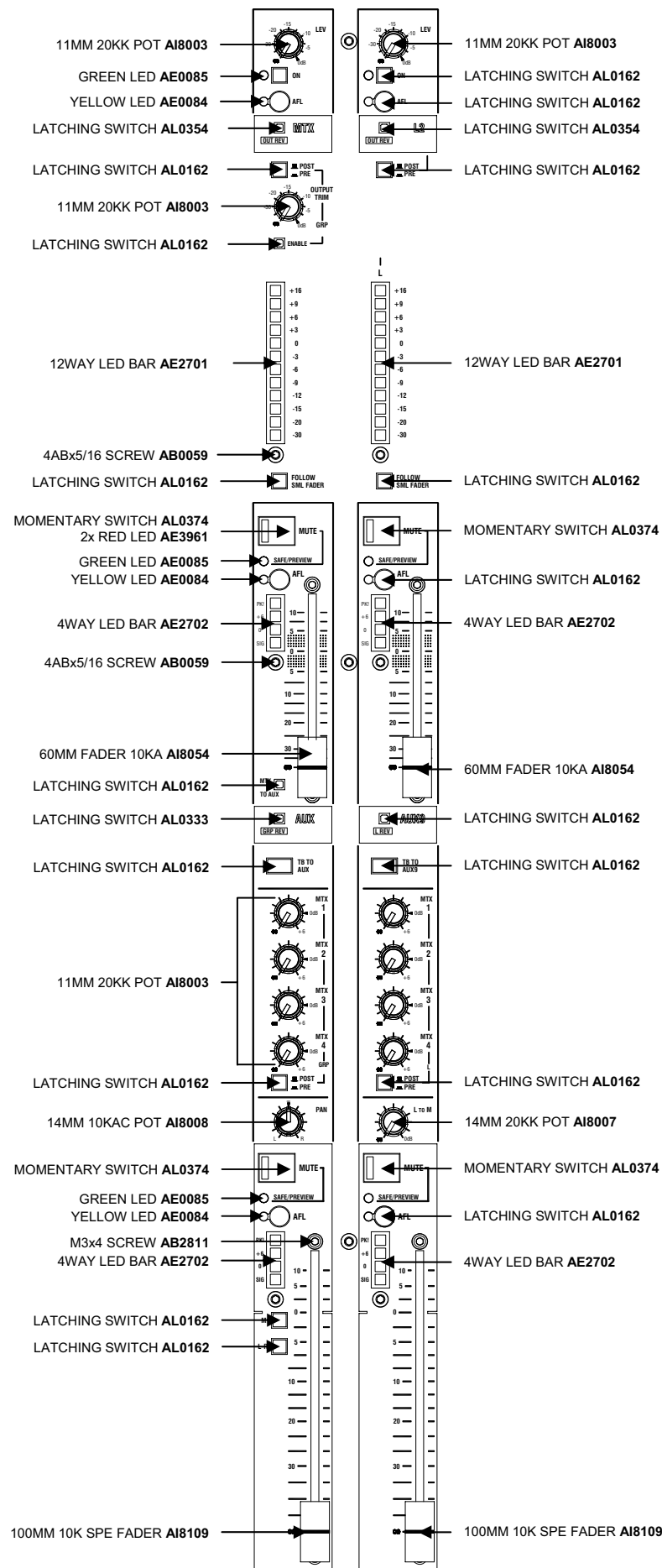


Product.....GL4800-824m
GL4800-832m
GL4800-840m
GL4800-848m

m =
 A All mono channels
 B 4 stereos to right of masters
 C 4 stereos on right of console
 D 8 stereos on right of console

Master PCB	002-165
Slave PCB	002-167
MPU PCB	002-198
Mono Input PCB	003-410
Stereo Input PCB	003-411
Group A PCB	003-412
Group B PCB	003-413
Group C PCB	003-414
Mono PCB	003-415
8M Connector PCB	003-416
4SM Connector PCB	003-417
4MS Connector PCB	003-418
8S Connector PCB	003-419
Master Connector PCB	003-420
Meters 1-6 PCB	003-421
Meters Master PCB	003-422
Power Connector PCB	003-423
Mix Amp Sub PCB	003-452
SYS-LINK In PCB + Harness ...	003-462

GL4800 Surface Parts

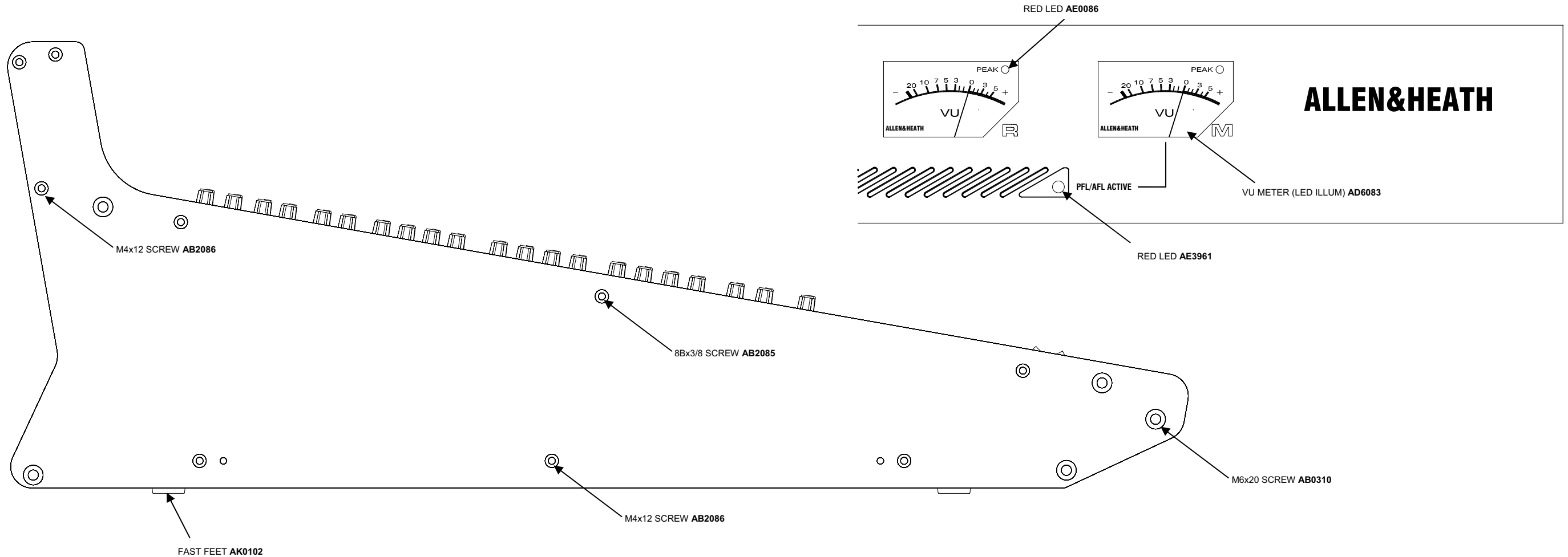
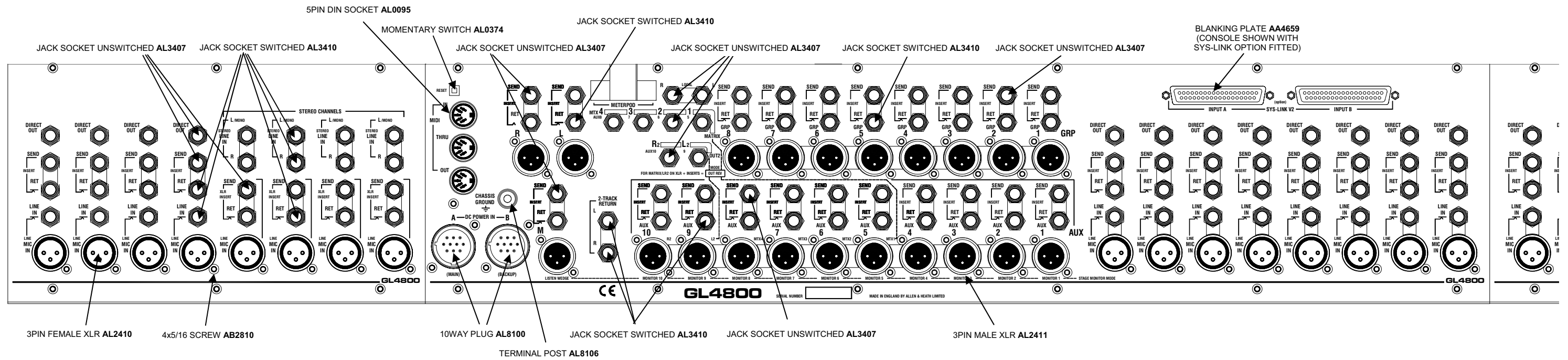


Buttons and Knobs

- WHITE RECT BUTTON AJ2962
- GREY RECT BUTTON AJ2865
- BLACK RECT BUTTON AJ3228
- WHITE SQUARE BUTTON AJ2960
- GREY SQUARE BUTTON AJ2864
- RED SQUARE BUTTON AJ2961
- WHITE ILLUM BUTTON AJ8107
- GREY ROUND BUTTON AJ3955
- GREY - GREY KNOB AJ2078A
- GREY - BLACK KNOB AJ6106A
- GREY - YELLOW KNOB AJ2079A
- GREY - RED KNOB AJ2074A
- GREY - BROWN KNOB AJ2080A
- GREY - GREEN KNOB (SHORT) AJ5712
- GREY - BLUE KNOB AJ2075A
- GREY - L/BLUE KNOB AJ2076A
- GREY - BLACK FADER KNOB AJ6278
- BLACK - WHITE FADER KNOB AJ3503
- L/BLUE - BLACK FADER KNOB AJ8081
- BLUE - WHITE FADER KNOB AJ6237
- YELLOW - BLACK FADER KNOB AJ8080
- RED - BLACK FADER KNOB AJ8079

GL4800 Surface Parts

(GL4800-824B shown)



GL4800 SYSTEM BLOCK DIAGRAM

