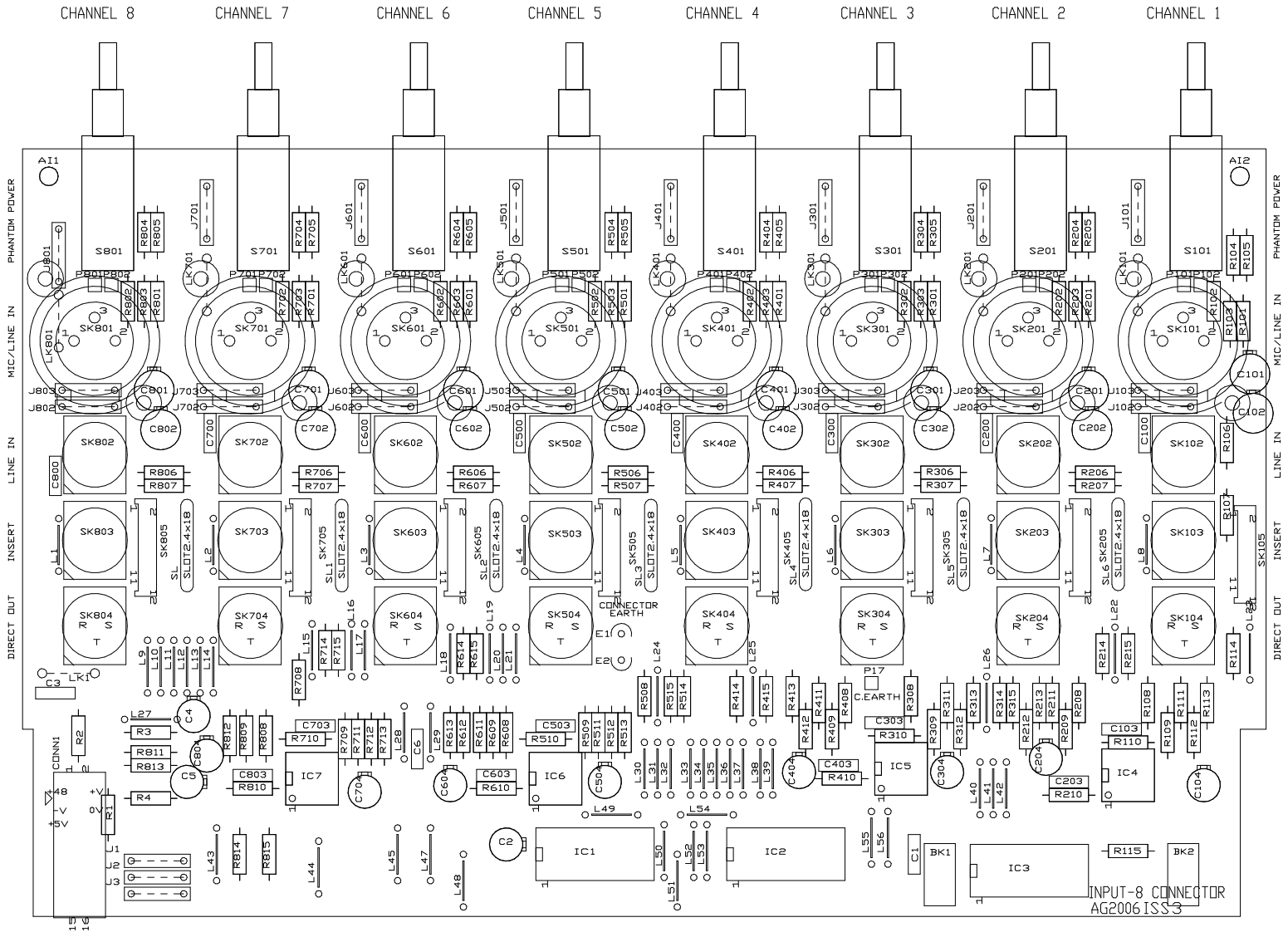
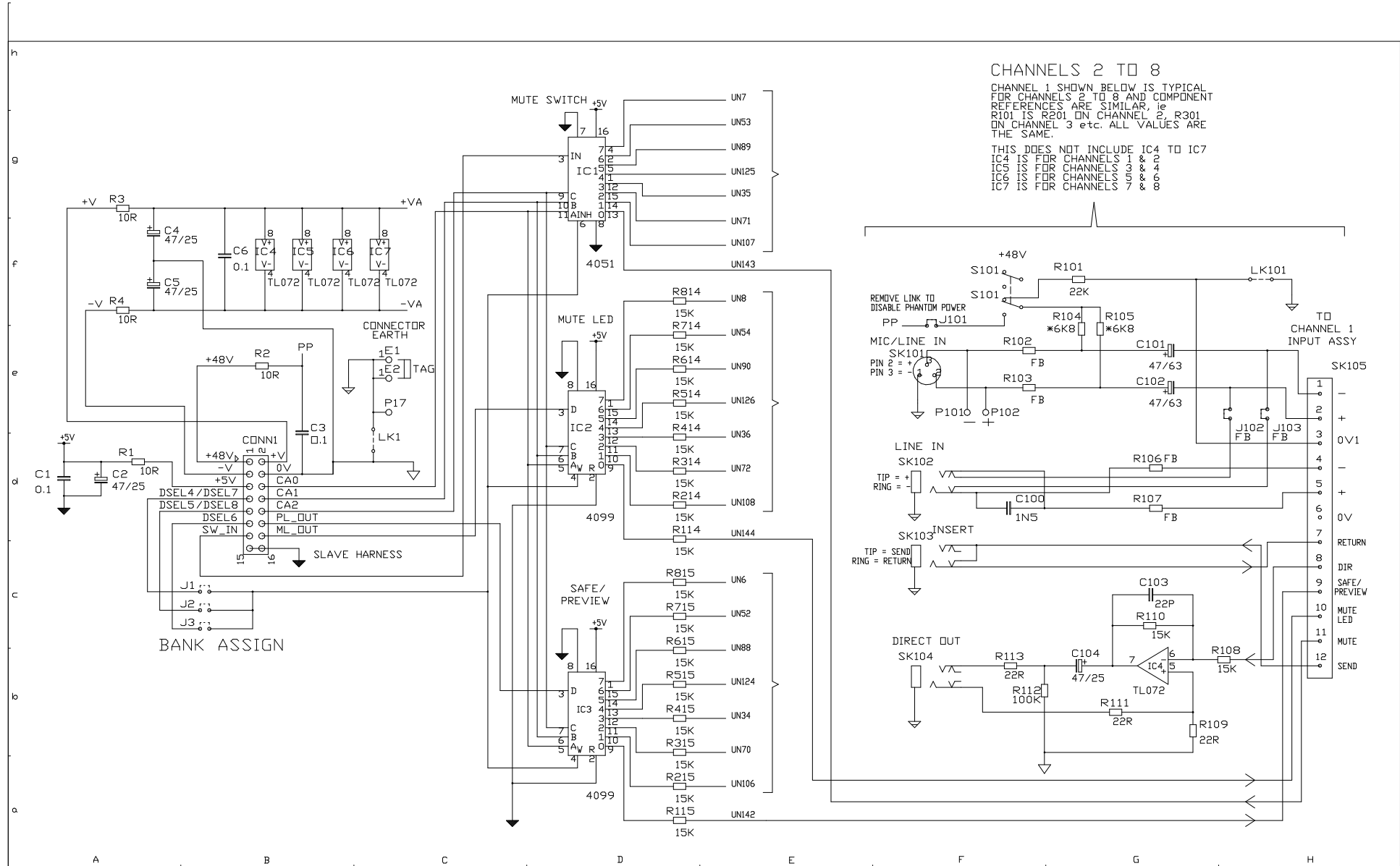


ISS	REVISION	BY	DATE	NOTES
1	PRODUCTION	DRP	28-6-94	1. RESISTORS MARKED * ARE 1% ALL OTHERS ARE 5% 1/4W UNLESS OTHERWISE MARKED
2	C14,39 DELETED R117,D5,D6 ADDED CONN1 WAS 11 WAY C37 WAS 330/25	DRP	4-11-94	2. ELECTROLYTIC CAPACITORS ARE 16V/50V
3		DRP	7-2-95	

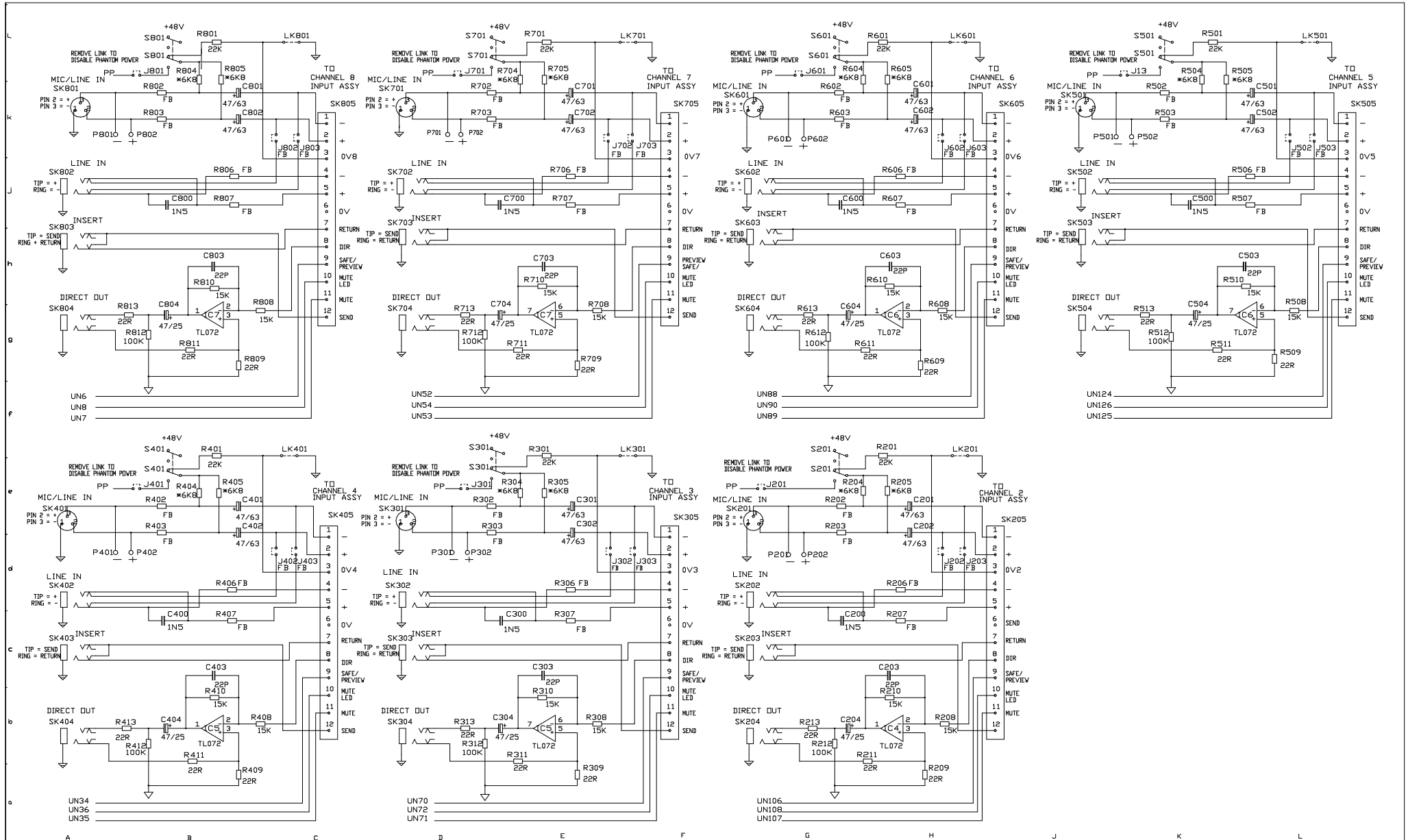
UNIT TITLE	GL 4	MANUFACTURED IN ENGLAND BY
DRAWING TITLE	INPUT CIRCUIT DIAGRAM PCB TYPE AG2001	ALLEN & HEATH
DRAWING No.	C2001	ISSUE 3
		A1





CHANNELS 2 TO 8
 CHANNEL 1 SHOWN BELOW IS TYPICAL FOR CHANNELS 2 TO 8 AND COMPONENT REFERENCES ARE SIMILAR, ie R101 IS R201 ON CHANNEL 2, R301 ON CHANNEL 3 etc. ALL VALUES ARE THE SAME.
 THIS DOES NOT INCLUDE IC4 TO IC7
 IC4 IS FOR CHANNELS 1 & 2
 IC5 IS FOR CHANNELS 3 & 4
 IC6 IS FOR CHANNELS 5 & 6
 IC7 IS FOR CHANNELS 7 & 8

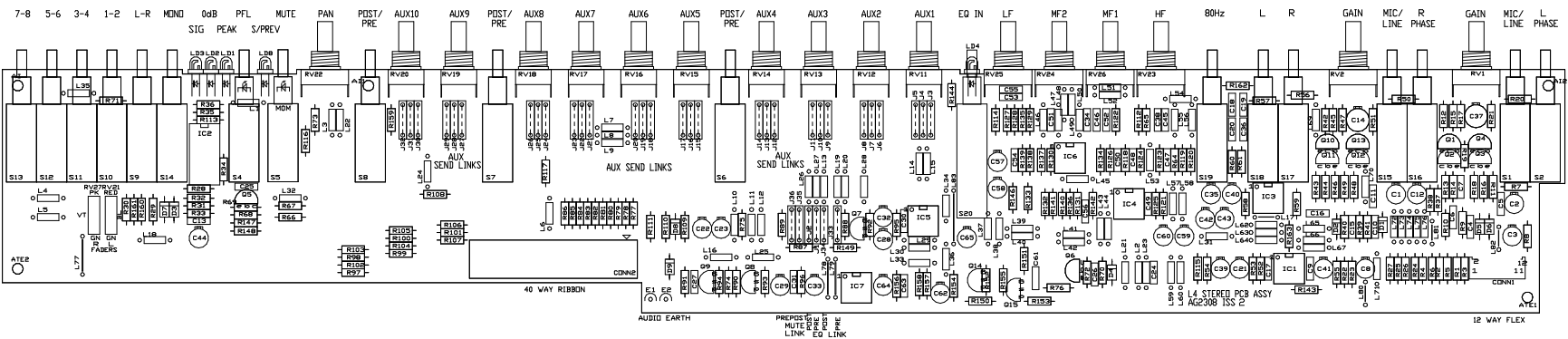
ISS.	REVISION	BY	DATE	NOTES	UNIT TITLE	MANUFACTURED IN ENGLAND BY
A	1	DRP	10-3-94	1. RESISTORS MARKED * ARE 1% ALL OTHERS ARE 5% 1/4W UNLESS OTHERWISE MARKED 2. ELECTROLYTIC CAPACITORS ARE 7V/VOLTS	GL 4	ALLEN & HEATH
2	2	DRP	13-9-94		DRAWING TITLE	
					INPUT-8 CONNECTOR CIRCUIT DIAGRAM PCB TYPE AG2006	ISSUE
						2
						A2



ISS	REVISION	BY	DATE	NOTES
A	1	DRP	10-3-94	1. RESISTORS MARKED * ARE 1% ALL OTHERS ARE 5% UNLESS OTHERWISE MARKED 2. ELECTROLYTIC CAPACITORS ARE WALSLEYS
B	2	DRP	13-9-94	
C	2	DRP	19-10-94	

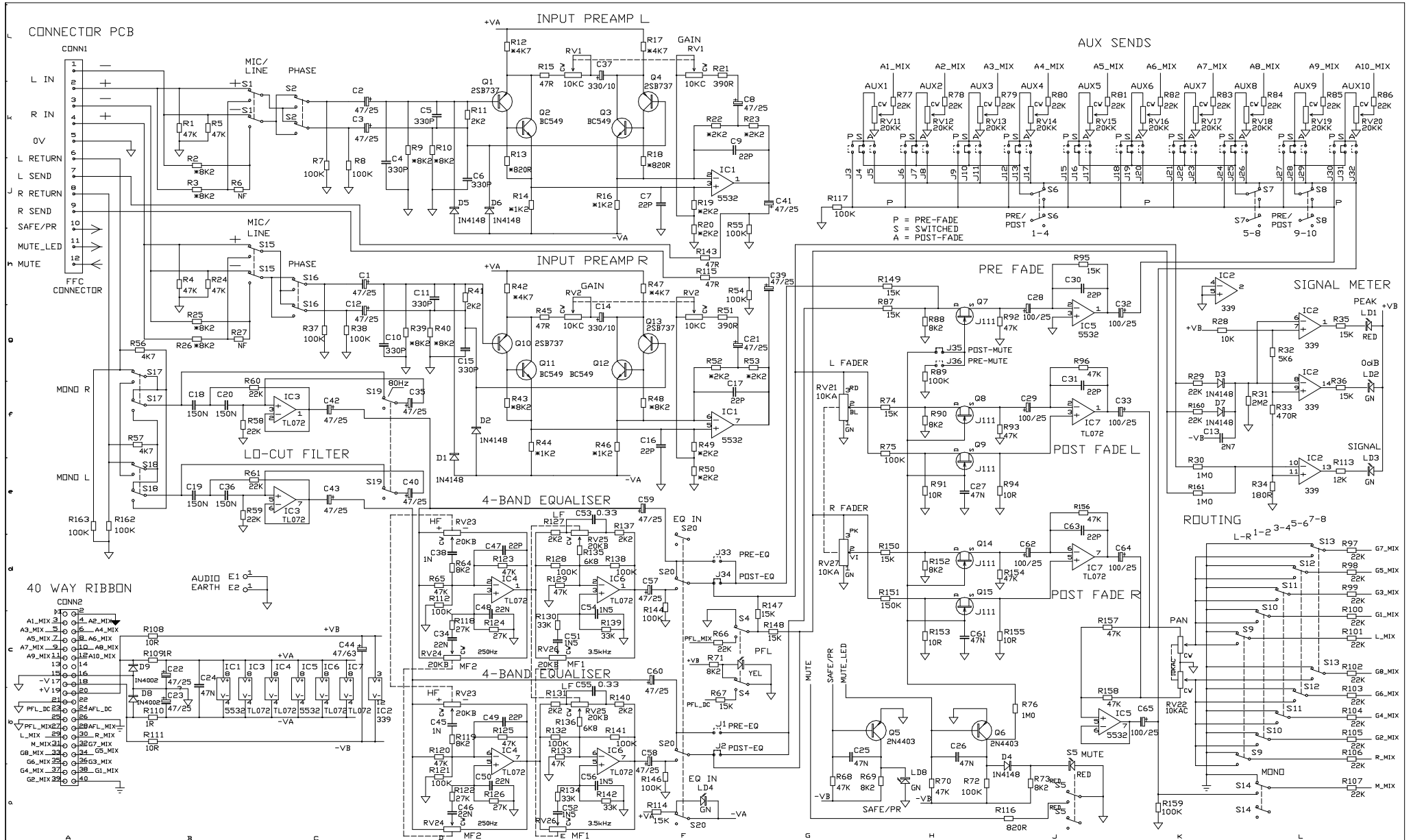
UNIT TITLE	GL 4	PAGE 2 OF 2	MANUFACTURED IN ENGLAND BY
DRAWING TITLE	INPUT-8 CONNECTOR CIRCUIT DIAGRAM PCB TYPE AG2006		ALLEN & HEATH
DRAWING No	C2006	ISSUE	2

A1



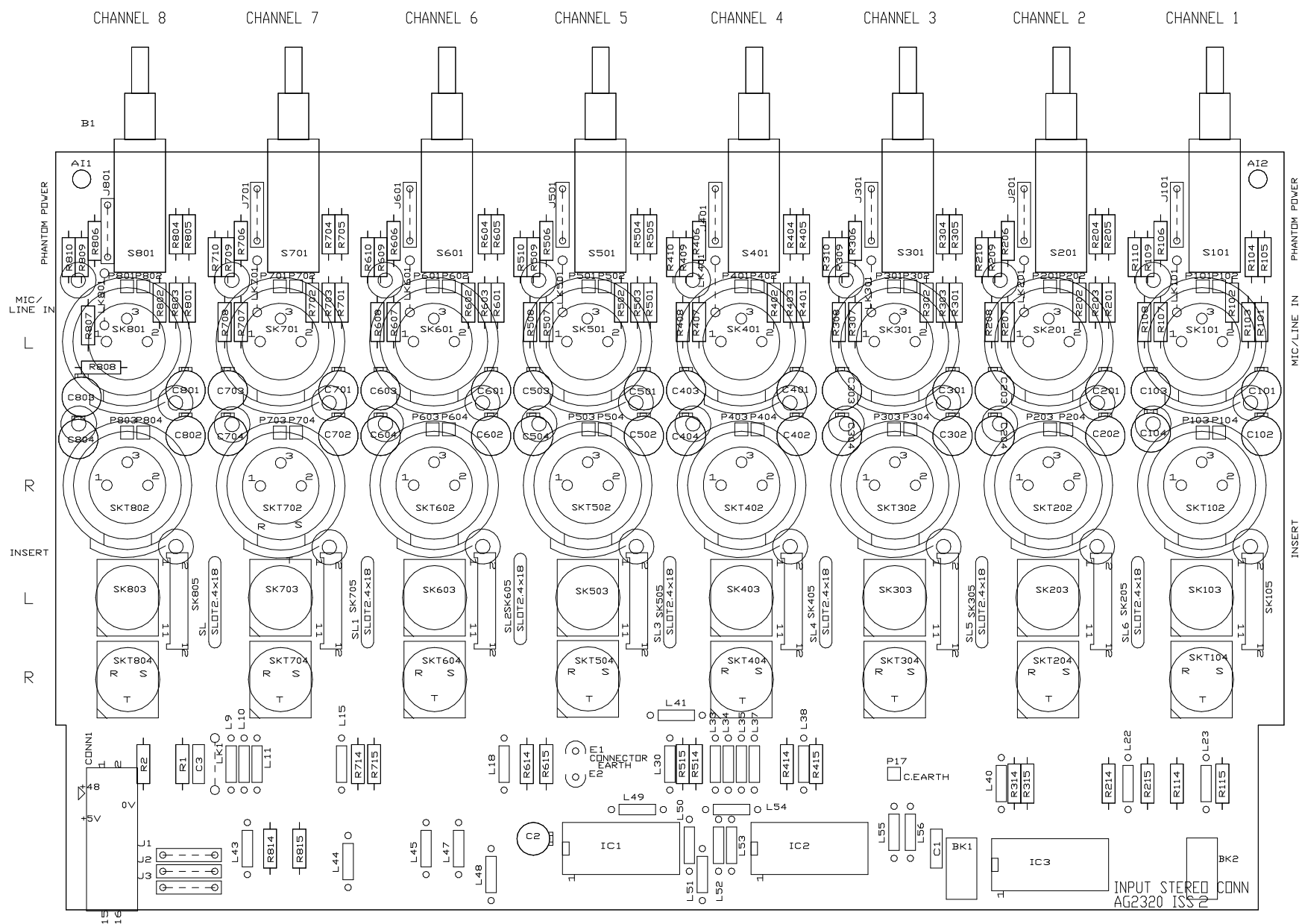
AUDIO EARTH
 PREPULSE
 MUTE
 LINK
 EG LINK

12 WAY FLEX



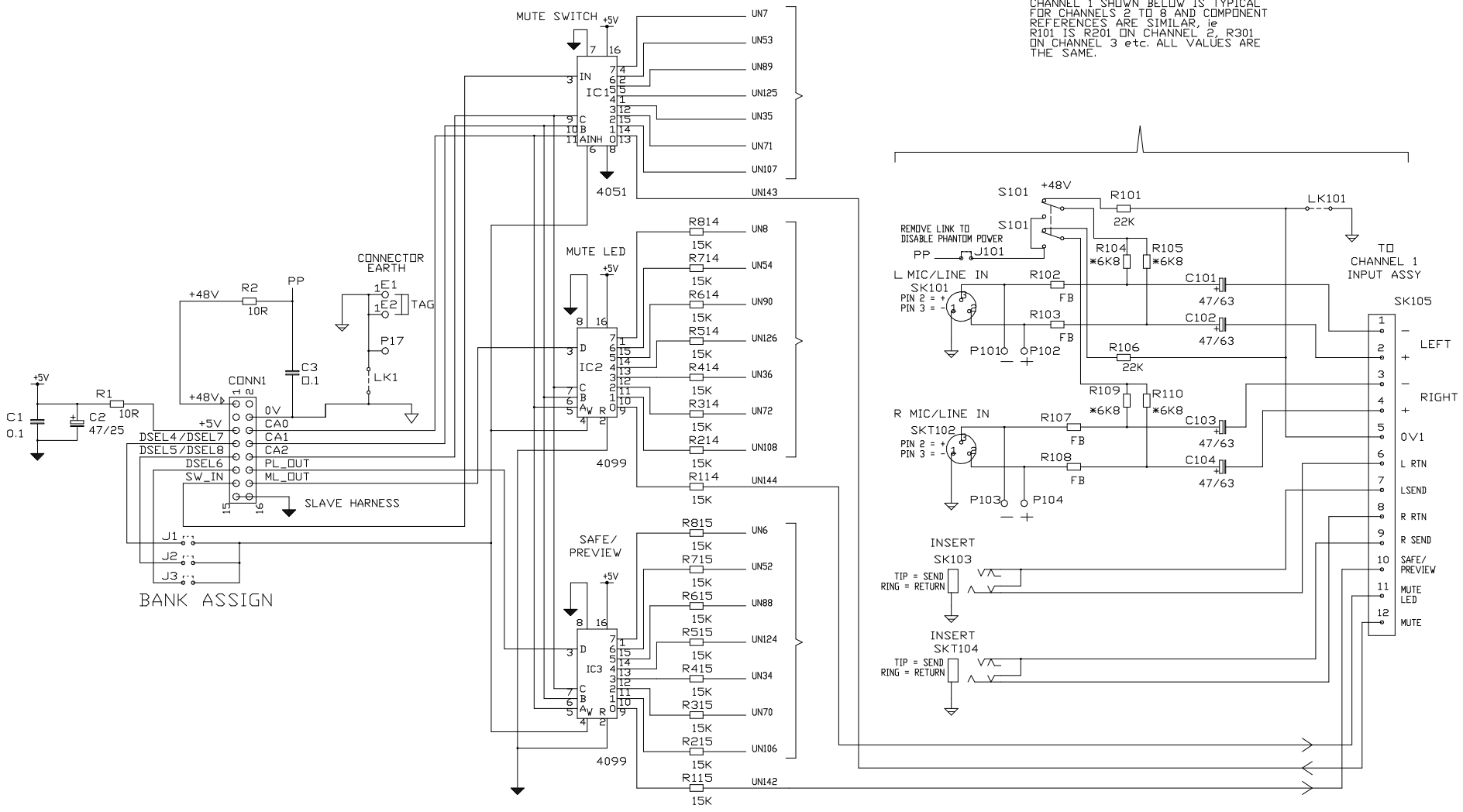
ISS	REVISION	BY DATE	NOTES
1	ORIGIN R15, R143, C35, 40 D8, 9 ADDED R62, 63 DELETED	DRP 1-5-95 DRP 7-6-95	1. RESISTORS MARKED * ARE 1% ALL OTHERS ARE 5% 1/4W UNLESS OTHERWISE MARKED 2. ELECTROLYTIC CAPACITORS ARE 16V/50V

UNIT TITLE	GL 4	MANUFACTURED IN ENGLAND BY	ALLEN & HEATH LTD
DRAWING TITLE	STEREO INPUT CIRCUIT DIAGRAM PCB TYPE AG2308	DRAWING No	C2308
		ISSUE	2
			A1



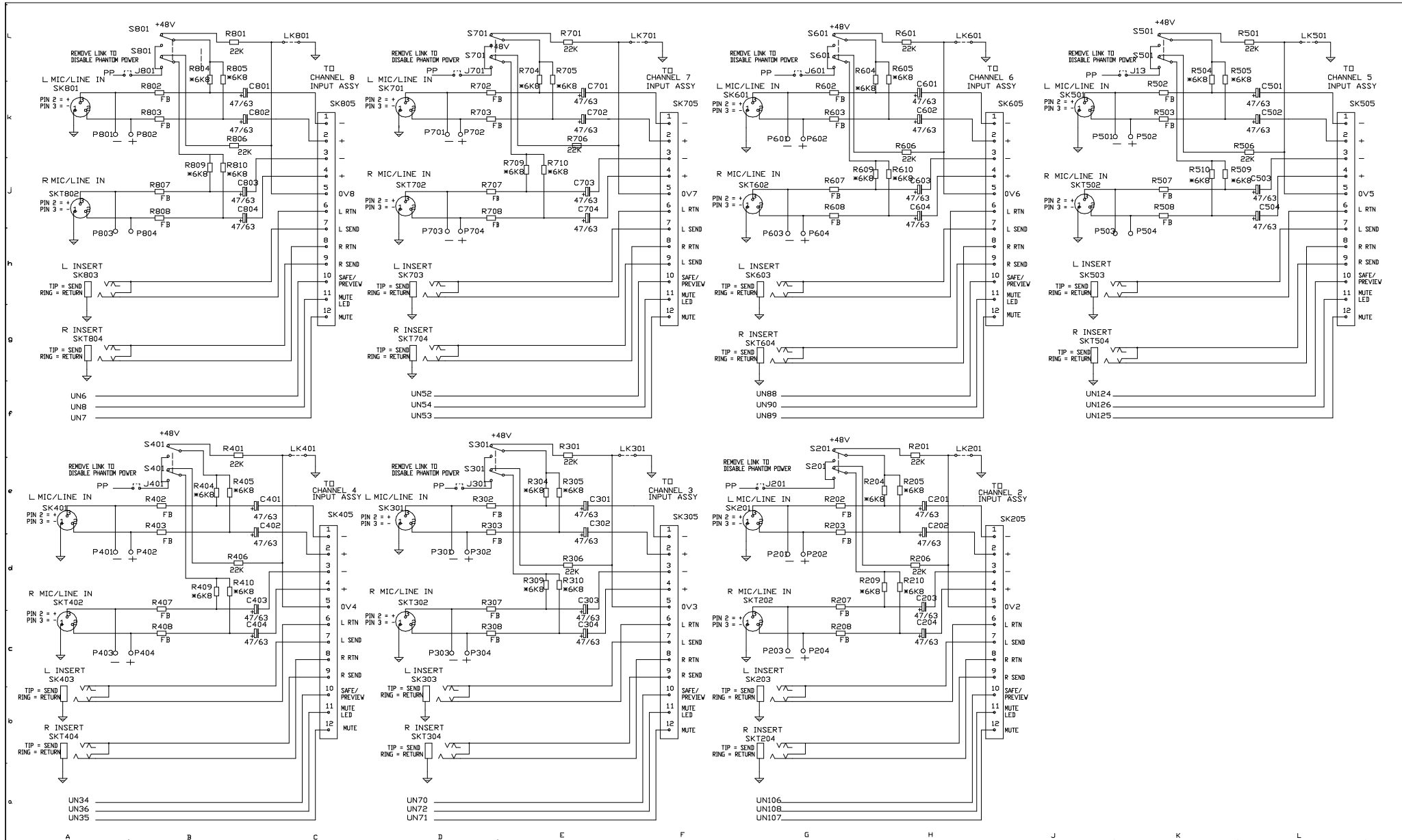
h
g
f
e
d
c
b
a

CHANNELS 2 TO 8
CHANNEL 1 SHOWN BELOW IS TYPICAL FOR CHANNELS 2 TO 8 AND COMPONENT REFERENCES ARE SIMILAR, ie R101 IS R201 ON CHANNEL 2, R301 ON CHANNEL 3 etc. ALL VALUES ARE THE SAME.



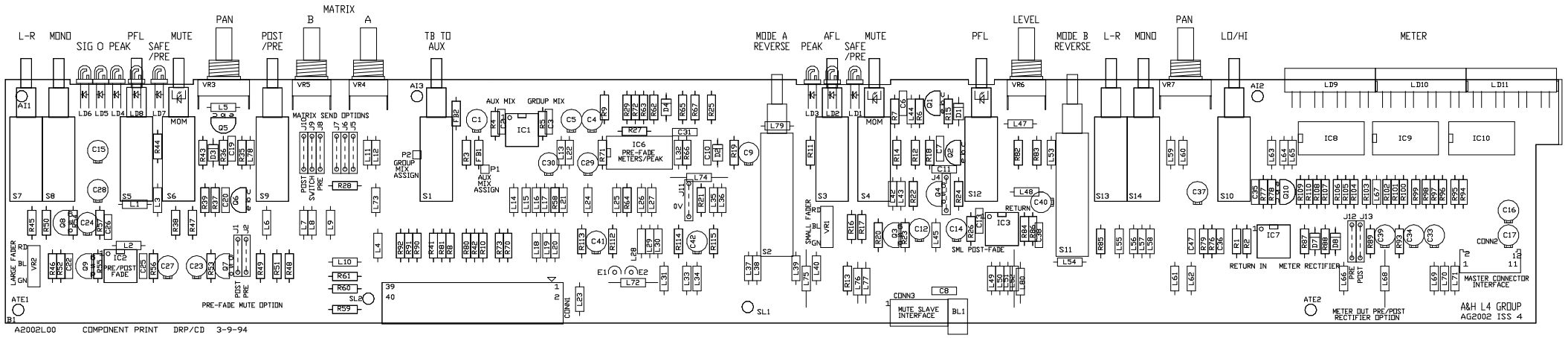
ISS.	REVISION	BY	DATE	NOTES	UNIT TITLE	MANUFACTURED IN ENGLAND BY
A	1	DRP	5-5-95	1. RESISTORS MARKED * ARE 1% ALL OTHERS ARE 5% 1/4W UNLESS OTHERWISE MARKED 2. ELECTROLYTIC CAPACITORS ARE 7V/VOLTS	GL4	ALLEN & HEATH
		DRP	8-6-95			PCB TYPE AG2320 INPUT STEREO CONNECTOR PCB CIRCUIT DIAGRAM

A2



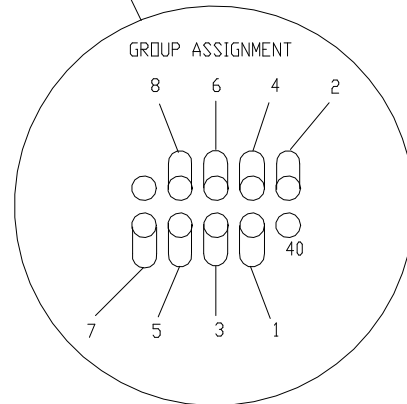
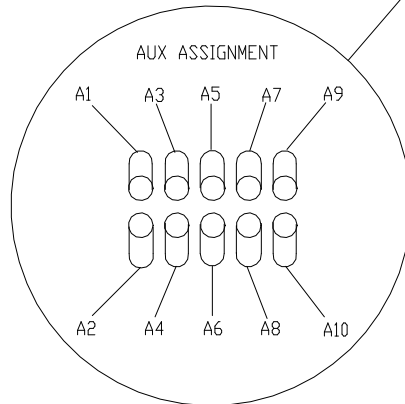
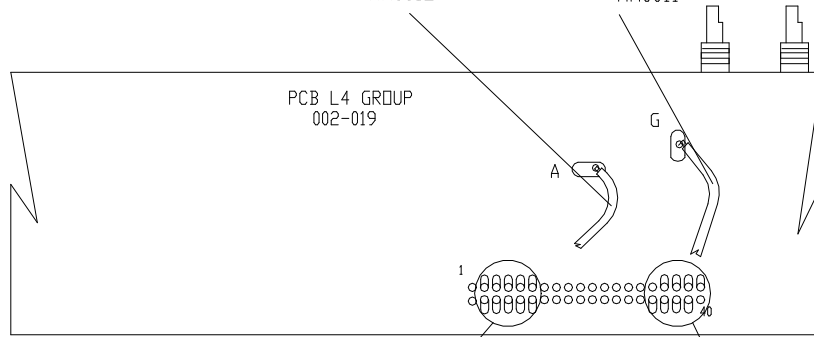
ISS	REVISION	BY	DATE	NOTES	UNIT TITLE	GL 4	PAGE 2 OF 2	MANUFACTURED IN ENGLAND BY
A	1	DRP	5-5-95	1. RESISTORS MARKED * ARE 1% ALL OTHERS ARE 5% IAW UNDERBERNBERG	DRAWING TITLE	PCB TYPE AG2320		ALLEN & HEATH
		DRP	8-6-95	2. ELECTROLYTIC CAPACITORS * ARE 100µF	INPUT STEREO CONNECTOR PCB CIRCUIT DIAGRAM			DRAWING No. M2320 ISSUE 1

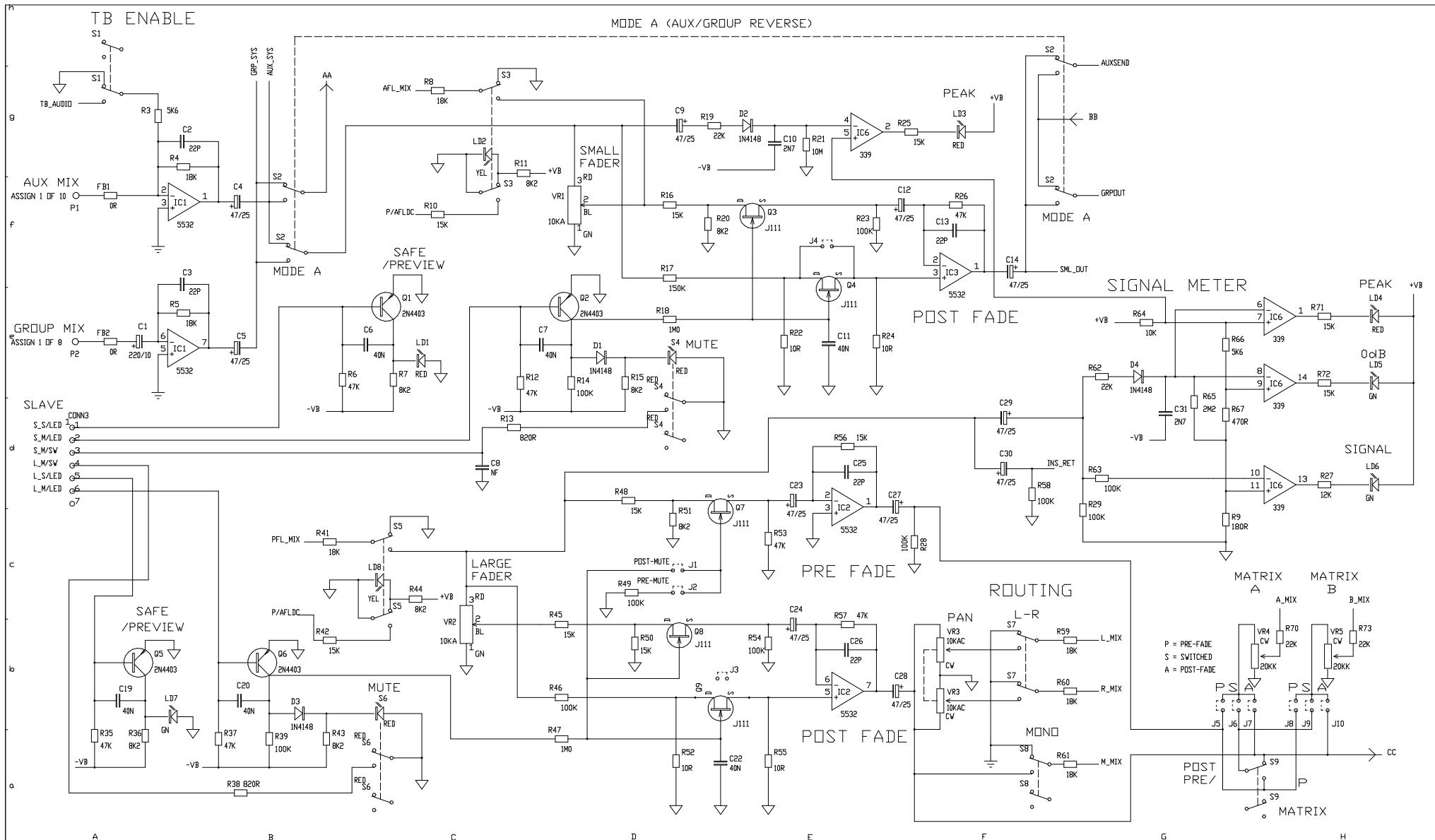
A1



AUX ASSIGN
SEE DETAIL
5CM BLUE 7/2
AH0012

GROUP ASSIGN
SEE DETAIL
5CM ORANGE 7/2
AH0011





ISS.	REVISION	BY	DATE	NOTES
A	ORIGIN	DRP14-6-94		
1	PRODUCTION	DRP4-11-94		
2	R68,69 DELETED R29 ADDED C15,R9,27,67,108 CHGD	DRP6-3-95		

1. RESISTORS MARKED * ARE 1%
ALL OTHERS ARE 5%, 1/4W UNLESS OTHERWISE MARKED

2. ELECTROLYTIC CAPACITORS ARE 7% VOLTS

UNIT TITLE
GL4 PAGE 1 OF 2

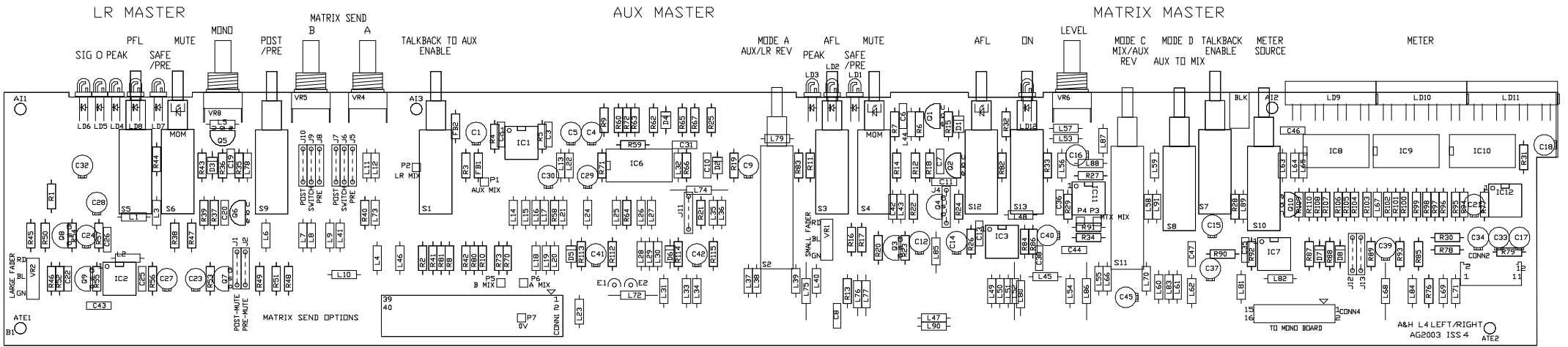
DRAWING TITLE
GROUP CIRCUIT DIAGRAM
FOR PCB TYPE AG2002

MANUFACTURED IN ENGLAND BY
ALLEN & HEATH LTD

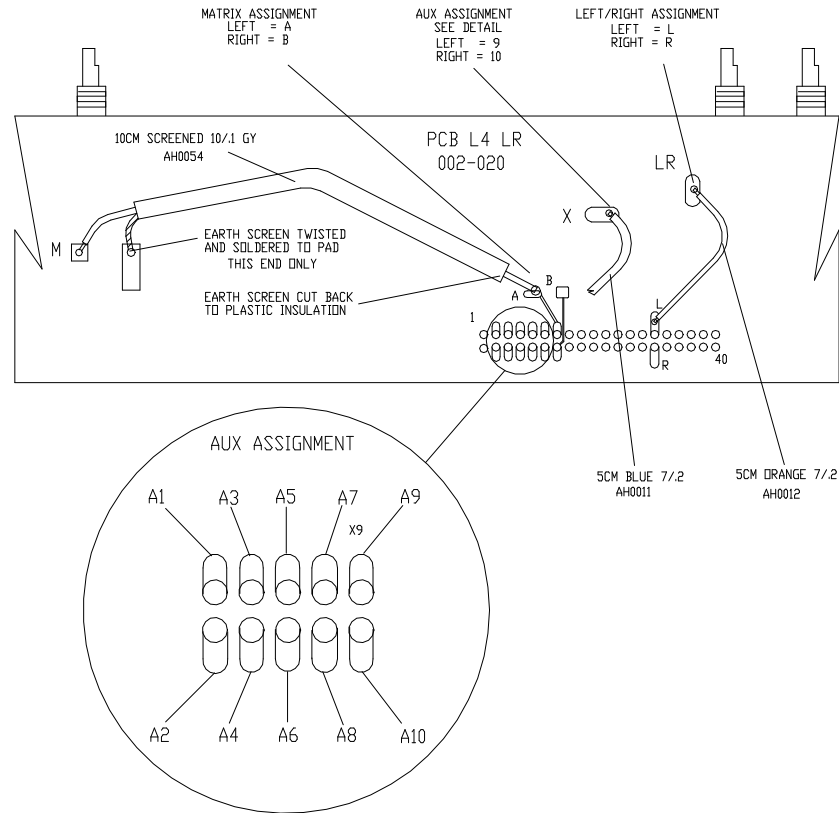
DRAWING No. C2002 ISSUE 2 A2

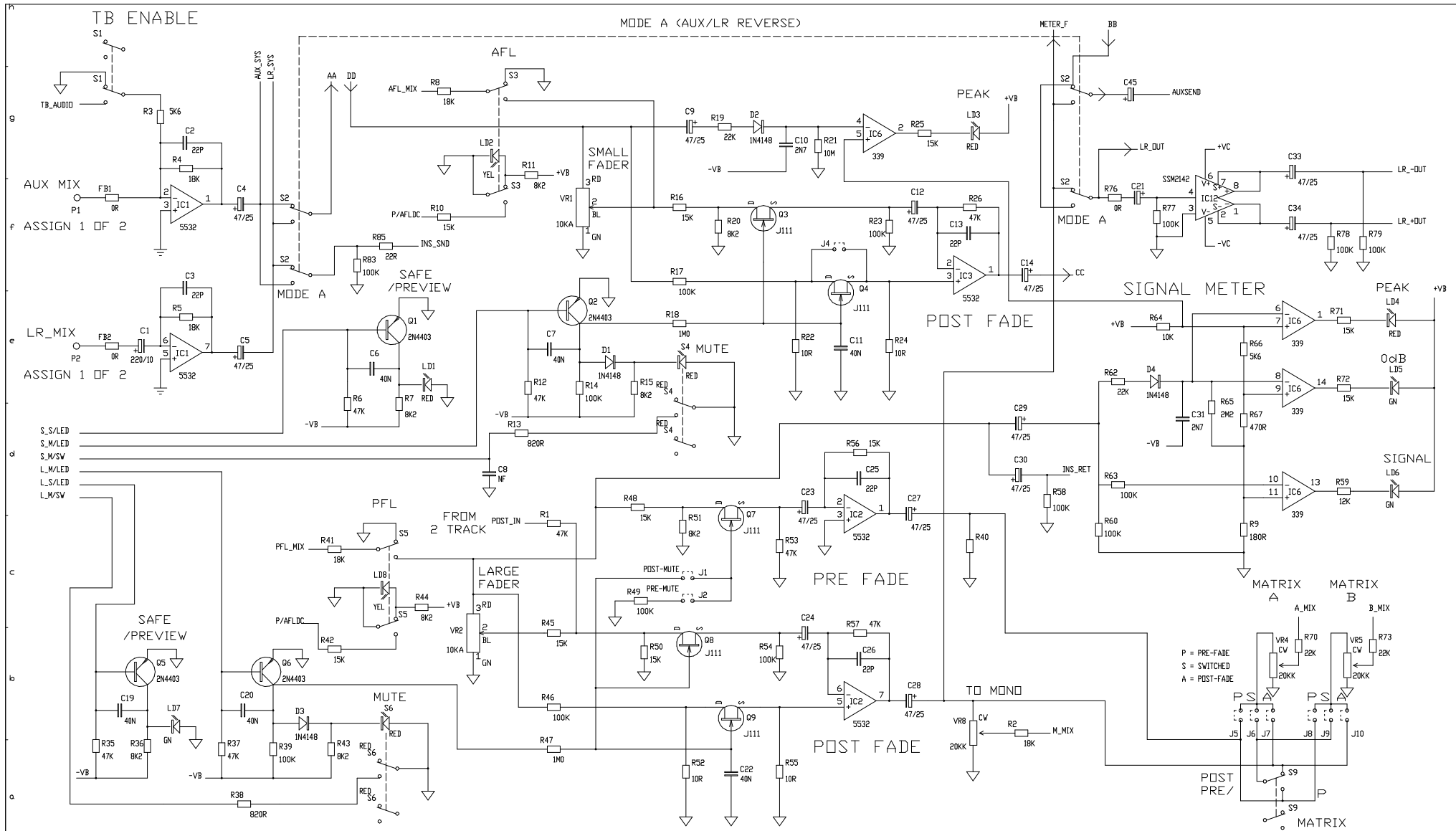


ISS.	REVISION	BY	DATE	NOTES	UNIT TITLE	MANUFACTURED IN ENGLAND BY	
A	ORIGIN	DRP	14-6-94		GL4	ALLEN & HEATH	
1	PRODUCTION	DRP	4-11-94	1. RESISTORS MARKED * ARE 1% ALL OTHERS ARE 5%, 1/4W UNLESS OTHERWISE MARKED	PAGE 2 OF 2		
2	R68,69 DELETED R29 ADDED C15,R9,27,67,108 CHGD	DRP	6-3-95	2. ELECTROLYTIC CAPACITORS ARE 7F/VOLTS	DRAWING TITLE	DRAWING No. C2002 ISSUE 2 A2	
					GROUP CIRCUIT DIAGRAM FOR PCB TYPE AG2002		



COMPONENT PRINT DRP/CD 21-3-95



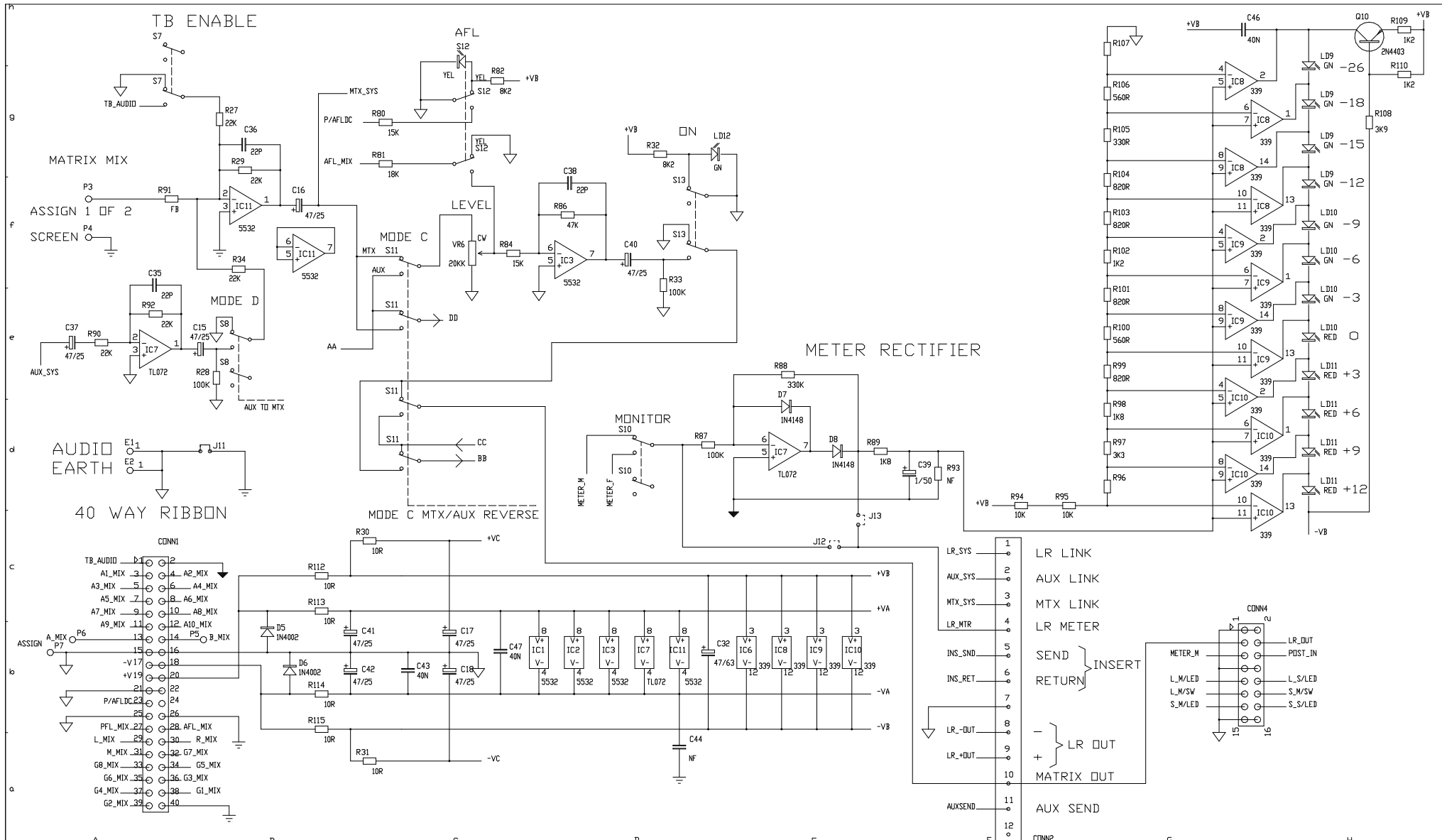


ISS.	REVISION	BY	DATE	NOTES
A	ORIGIN	DRP	27-7-94	1. RESISTORS MARKED * ARE 1% ALL OTHERS ARE 5%, 1/4W UNLESS OTHERWISE MARKED
1	PRODUCTION	DRP	27-9-94	
2	C43 ADDED			2. ELECTROLYTIC CAPACITORS ARE 75V/VOLTS
3	VALUES CHANGED	DRP	21-3-95	
	R60, C46 ADDED R68, 69 DELETED C32, R9, 59, 67, 108	CHGD		

UNIT TITLE
GL4 PAGE 1 OF 2

DRAWING TITLE
LEFT/RIGHT CIRCUIT DIAGRAM
FOR PCB TYPE AG2003

MANUFACTURED IN ENGLAND BY	
ALLEN & HEATH LTD	
DRAWING No.	C2003
ISSUE	3
	A2



ISS.	REVISION	BY	DATE	NOTES
A	ORIGIN	DRP	27-7-94	1. RESISTORS MARKED * ARE 1% ALL OTHERS ARE 5% 1/4W UNLESS OTHERWISE MARKED
1	PRODUCTION	DRP	27-9-94	
2	C43 ADDED			2. ELECTROLYTIC CAPACITORS ARE 7F/VOLTS
3	VALUES CHANGED R60, C46, ADDED R68, 69 DELETED C32, R9, 59, 67, 108	DRP	21-3-95	
		CHGD		

UNIT TITLE
GL4

DRAWING TITLE
LEFT/RIGHT CIRCUIT DIAGRAM
FOR PCB TYPE AG2003

PAGE 2 OF 2

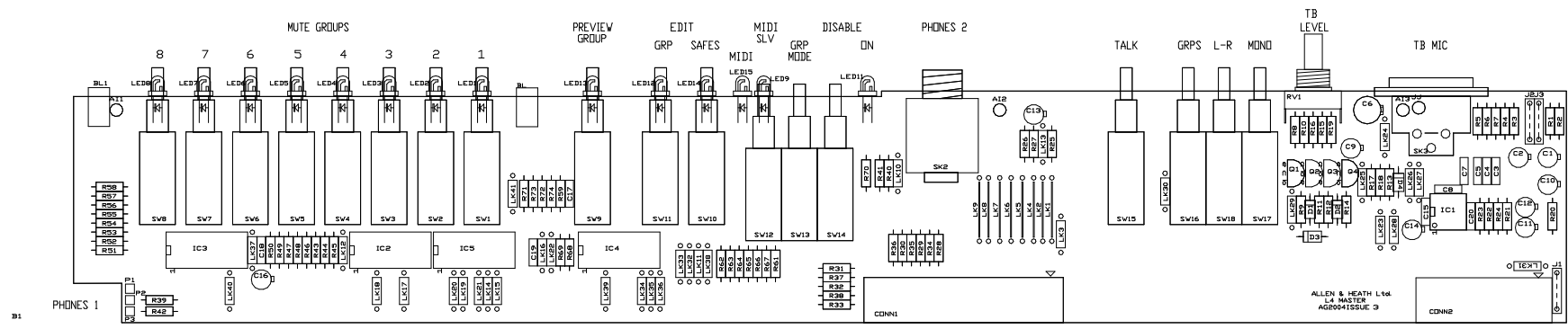
DRAWING No. C2003

ISSUE 3

A2

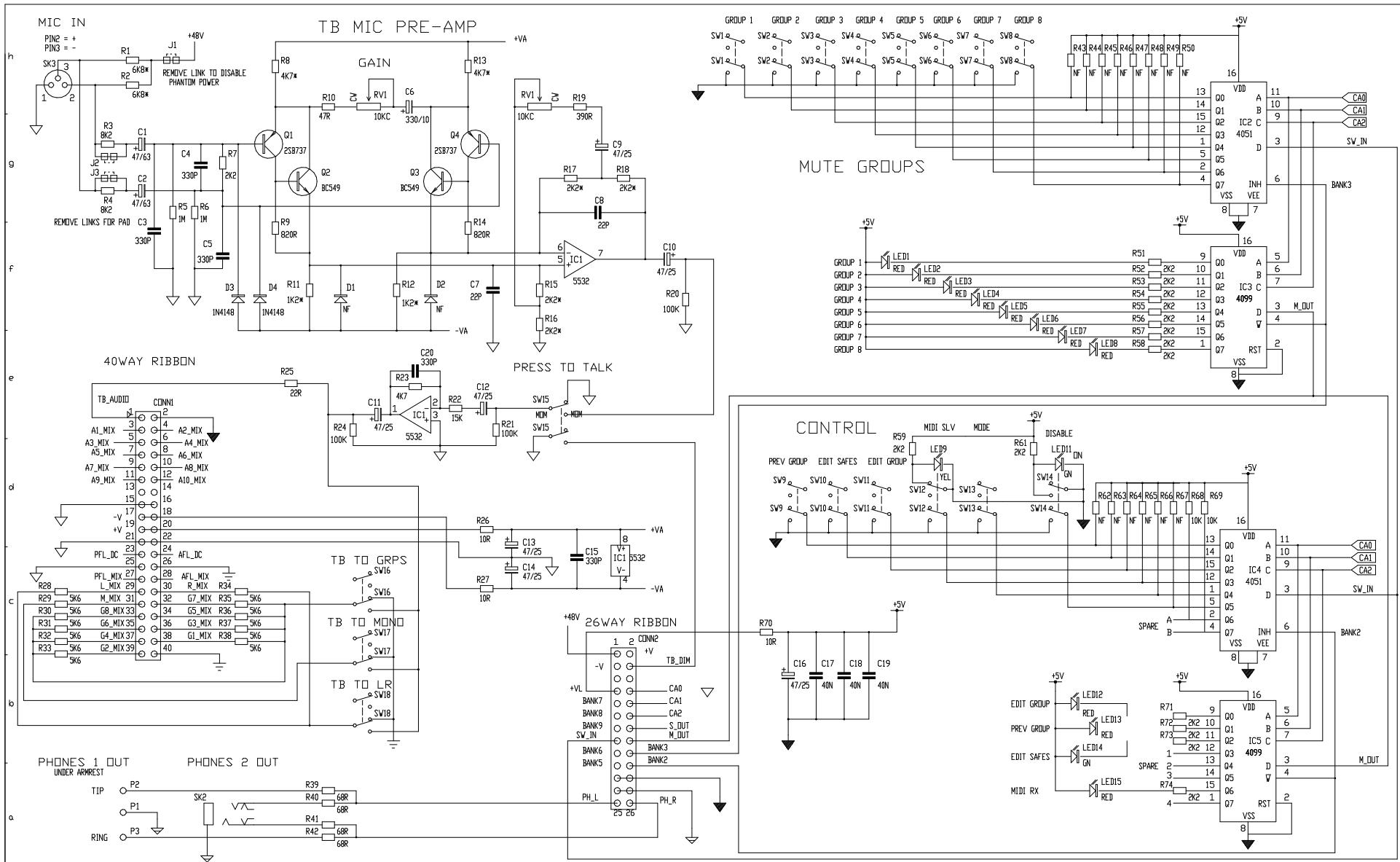
MANUFACTURED IN ENGLAND BY

ALLEN & HEATH



B1
AG0004L00 COMPONENT PRINT/REV 12/8/94

ALLEN & HEATH Ltd.
L4 MASTER
AG0004L00 ISSUE 3



ISS.	REVISION	BY	DATE
A	ORIGIN	CD	29-7-94
1	SK1 DELETED D3,D4 ADDED VALUES CHANGED C6 WAS 330/25	DRP4	11-94
2		DRP	7-2-95

NOTES

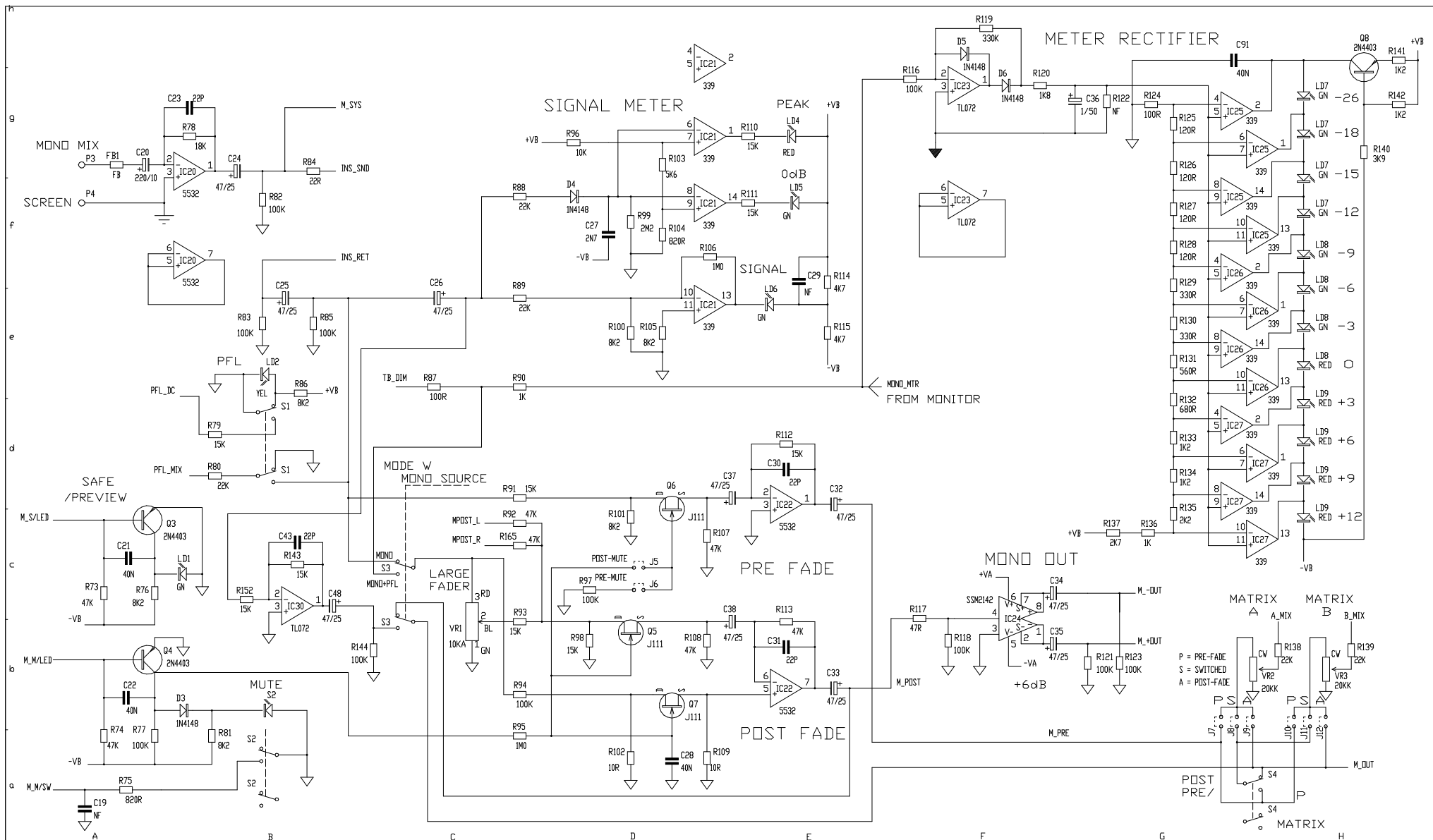
- RESISTORS MARKED * ARE 1% ALL OTHERS ARE 5% 1/4W UNLESS OTHERWISE MARKED
- ELECTROLYTIC CAPACITORS ARE 16VOLTS

UNIT TITLE
GL4

DRAWING TITLE
MASTER CIRCUIT DIAGRAM
PCB TYPE AG2004

MANUFACTURED IN ENGLAND BY
ALLEN & HEATH

DRAWING No. C2004 ISSUE 2



ISS.	REVISION	BY	DATE	NOTES
A	ORIGIN	DRP	18-8-94	1. RESISTORS MARKED * ARE 1% ALL OTHERS ARE 5%, 1/4W UNLESS OTHERWISE MARKED
1	PRODUCTION	DRP	14-9-94	2. ELECTROLYTIC CAPACITORS ARE 7F/VOLTS
2		DRP	14-11-94	
3	P19,C90,C91 ADDED	DRP	5-1-94	
4	R140 3K9 WAS 3K3	DRP	13-3-95	

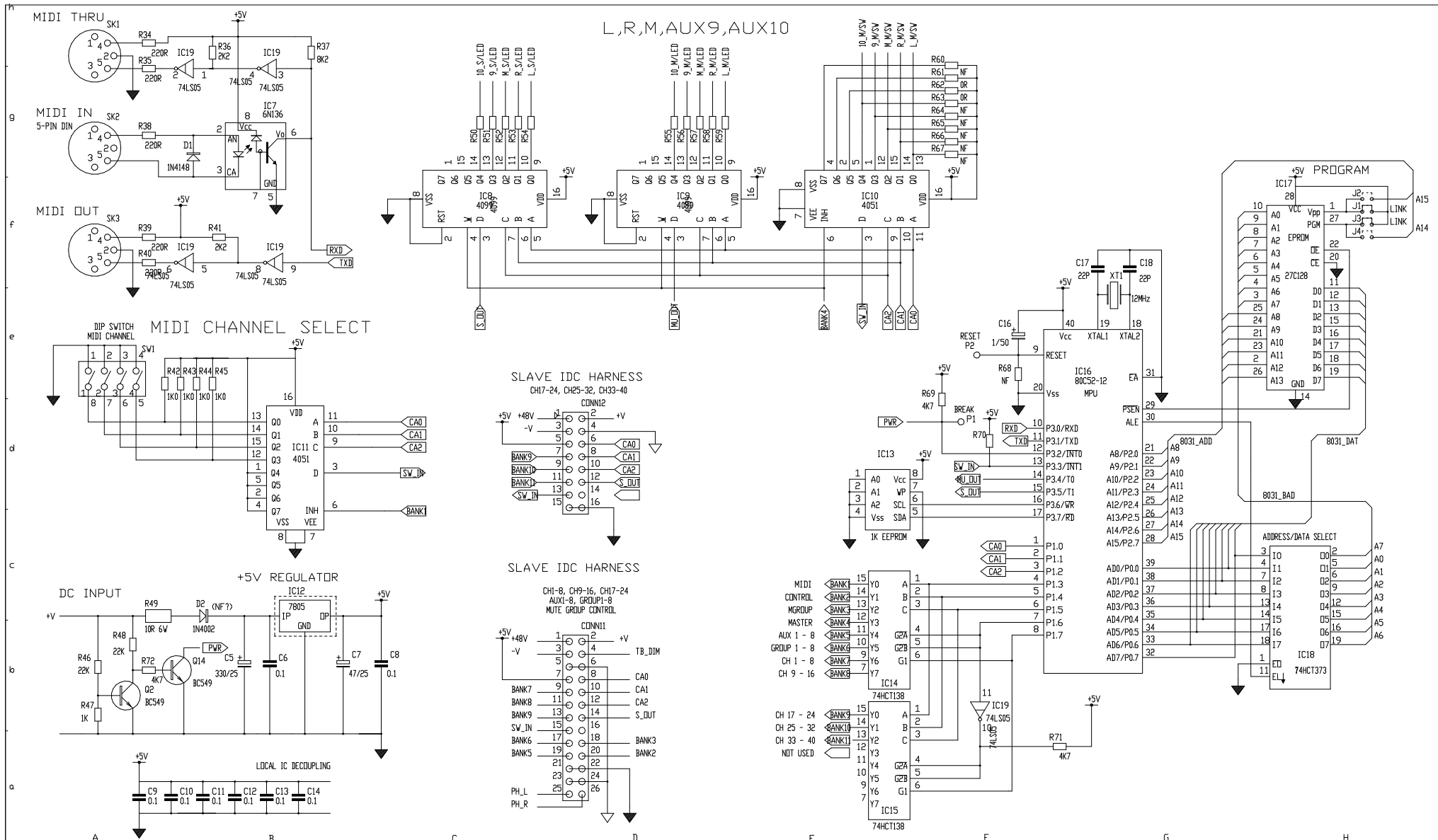
UNIT TITLE
GL4 PAGE 1 OF 5

DRAWING TITLE
MONO/SLAVE CIRCUIT DIAGRAM
MONO
PCB TYPE AG2005A

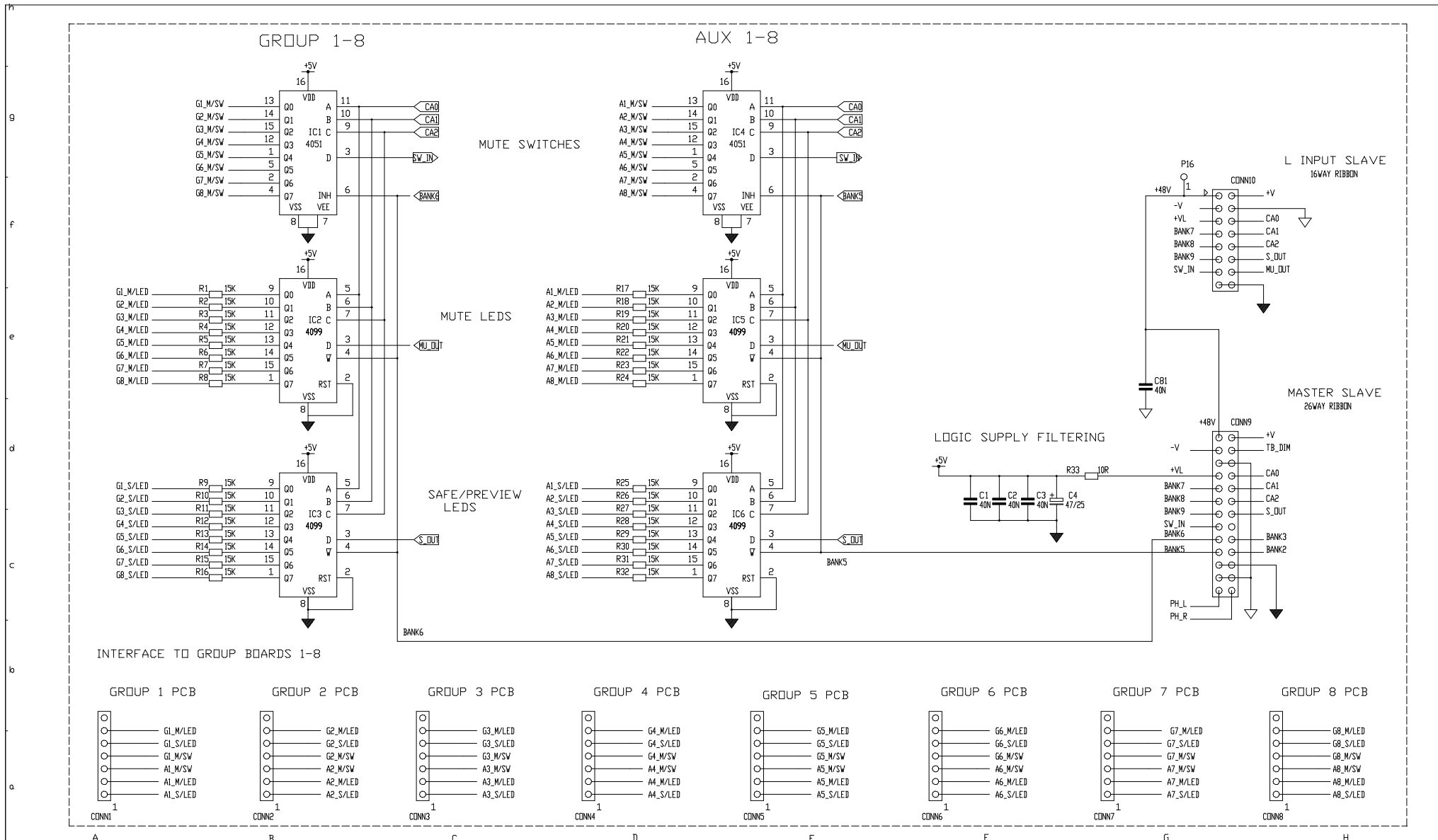
MANUFACTURED IN ENGLAND BY
ALLEN & HEATH

DRAWING No. C2005 ISSUE 4

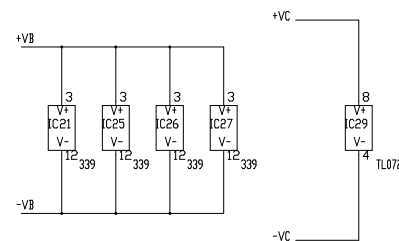
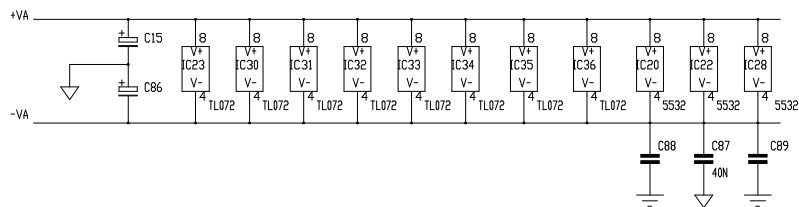
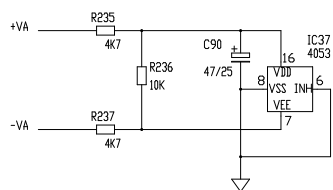
A2



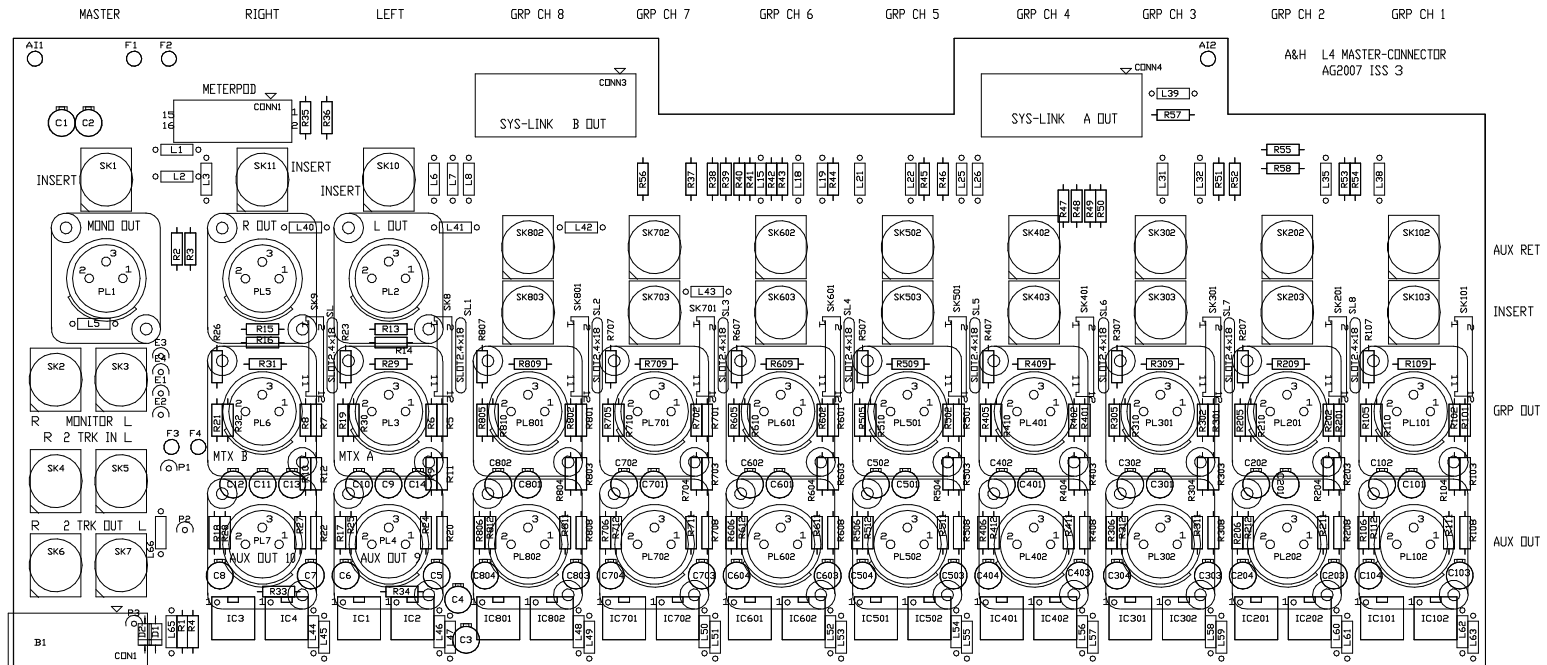
ISS.	REVISION	BY	DATE	NOTES	UNIT TITLE	GL4	PAGE 3 OF 5	MANUFACTURED IN ENGLAND BY		
A	ORIGIN	DRP	18-8-94	1. RESISTORS MARKED * ARE 1% ALL OTHERS ARE 5%, 1/4W UNLESS OTHERWISE MARKED	MONO/SLAVE CIRCUIT DIAGRAM MICRO PCB TYPE AG2005A			ALLEN & HEATH		
1	PRODUCTION	DRP	14-9-94	2. ELECTROLYTIC CAPACITORS ARE 7F/VOLTS						
2		DRP	14-11-94							
3	P19,C90,C91 ADDED	DRP	5-1-94							
4	R140 3K9 WAS 3K3	DRP	13-3-95				DRAWING No.	ISSUE		
								C2005	4	A2

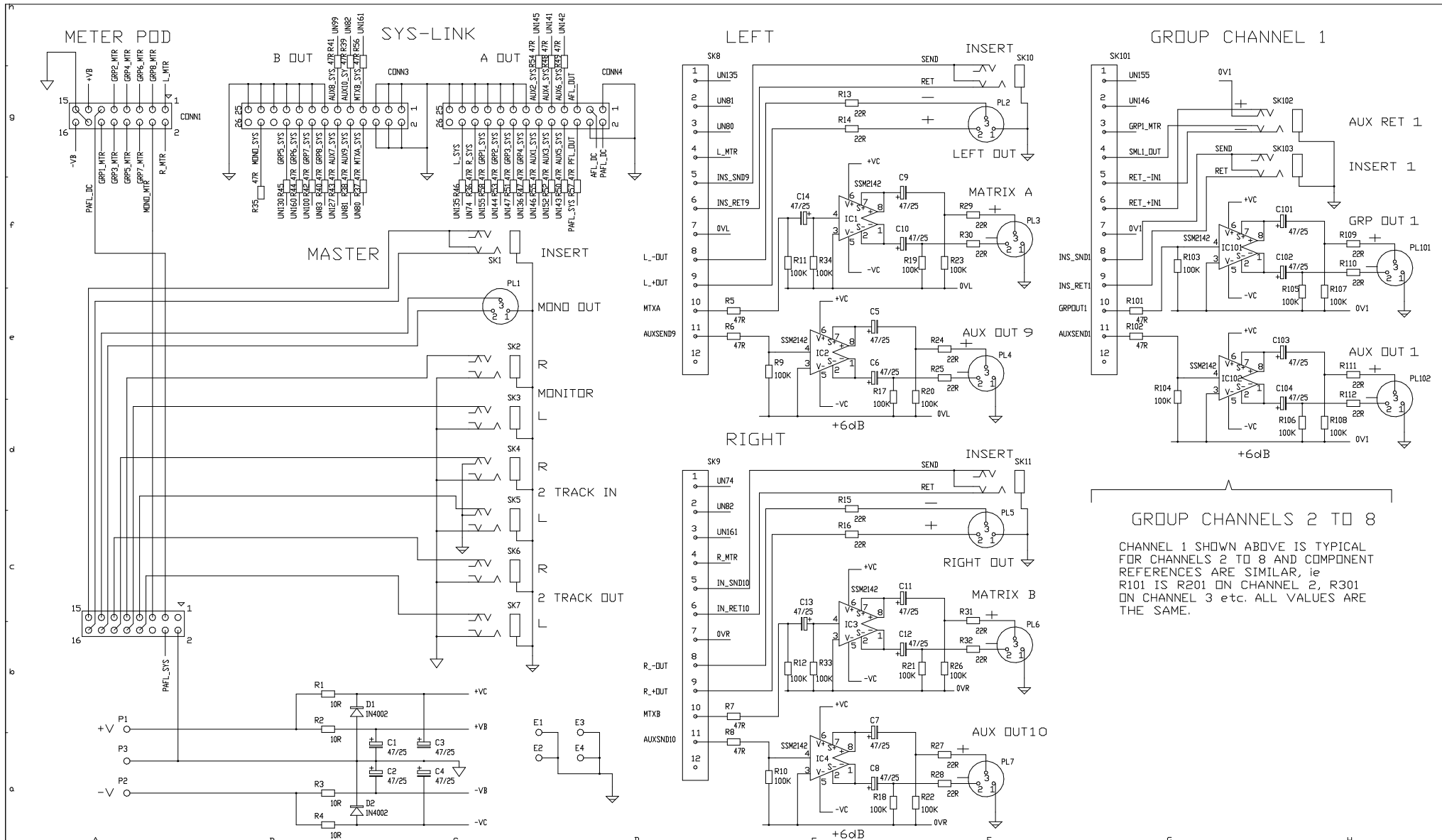


ISS.	REVISION	BY	DATE	NOTES	UNIT TITLE	MANUFACTURED IN ENGLAND BY	
A	ORIGIN	DRP	18-8-94	1. RESISTORS MARKED * ARE 1% ALL OTHERS ARE 5%, 1/4W UNLESS OTHERWISE MARKED	GL4	ALLEN & HEATH	
1	PRODUCTION	DRP	14-9-94	2. ELECTROLYTIC CAPACITORS ARE 7F/VOLTS	PAGE 4 OF 5	DRAWING No. C2005	
2		DRP	14-11-94		MONO/SLAVE CIRCUIT DIAGRAM GROUP SLAVE PCB TYPE AG2005B	ISSUE 4	
3	P19,C90,C91 ADDED	DRP	5-1-94			A2	
4	R140 3K9 WAS 3K3	DRP	13-3-95				



ISS.	A	B	C	D	E	F	G	H
	REVISION	BY DATE	NOTES			UNIT TITLE	MANUFACTURED IN ENGLAND BY	
A	ORIGIN	DRP 18-8-94	1. RESISTORS MARKED * ARE 1% ALL OTHERS ARE 5%, 1/4W UNLESS OTHERWISE MARKED			GL4	ALLEN & HEATH	
1	PRODUCTION	DRP 14-9-94						
2		DRP 14-11-94	2. ELECTROLYTIC CAPACITORS ARE 7F/VOLTS			PAGE 5 OF 5	DRAWING No. C2005	
3	P19,C90,C91 ADDED	DRP 5-1-94						
4	R140 3K9 WAS 3K3	DRP 13-3-95				ISSUE 4		A2





ISS.	REVISION	BY	DATE	NOTES
A	ORIGIN	DRP	8-9-94	1. RESISTORS MARKED * ARE 1% ALL OTHERS ARE 5% 1/4W UNLESS OTHERWISE MARKED 2. ELECTROLYTIC CAPACITORS ARE 7F/VOLTS
1	PRODUCTION	DRP	13-9-94	
2	12 WAY CONN WERE 11 WAY	DRP	29-11-94	

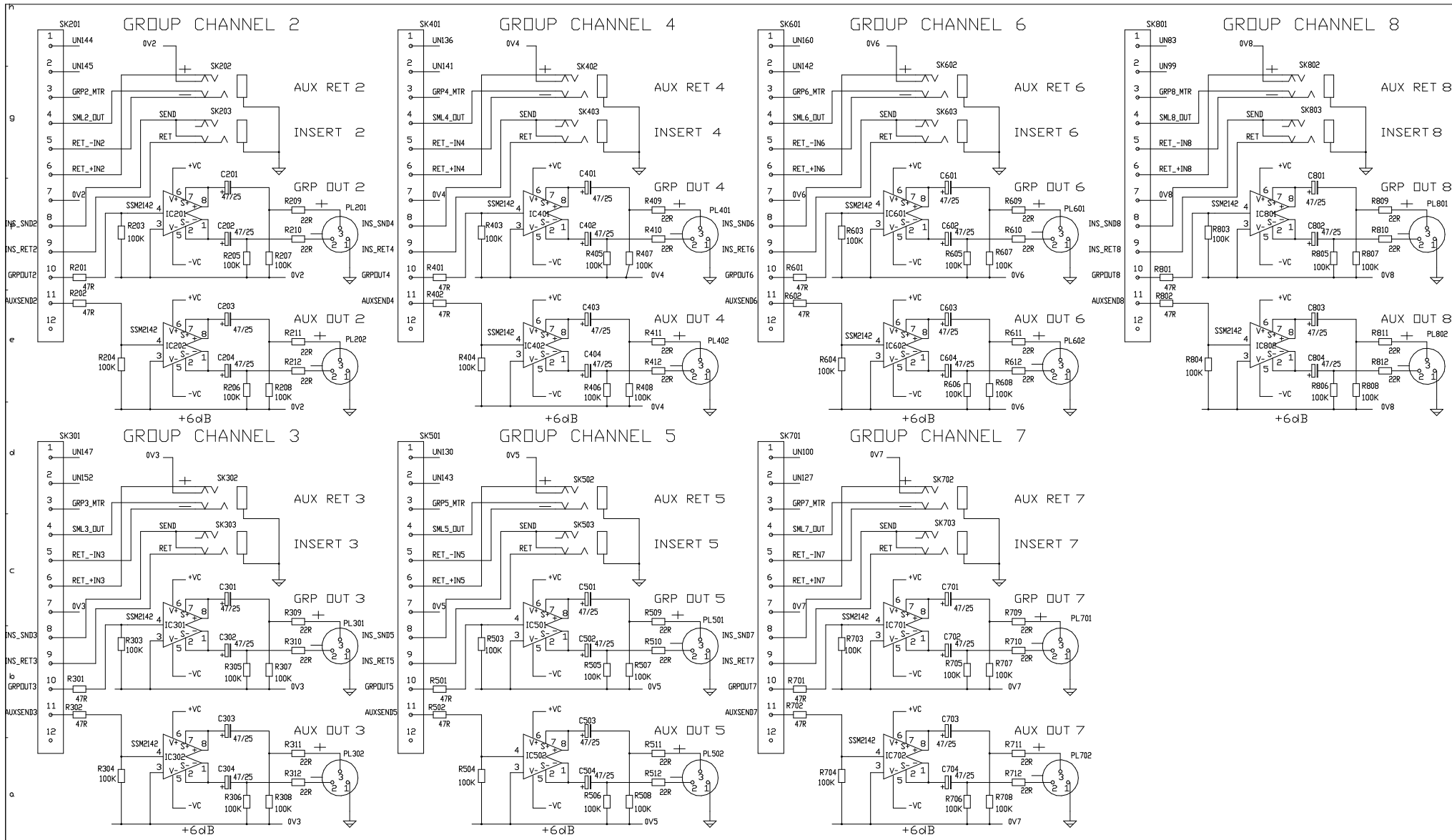
UNIT TITLE
GL4

DRAWING TITLE
MASTER-CONNECTOR
CIRCUIT DIAGRAM

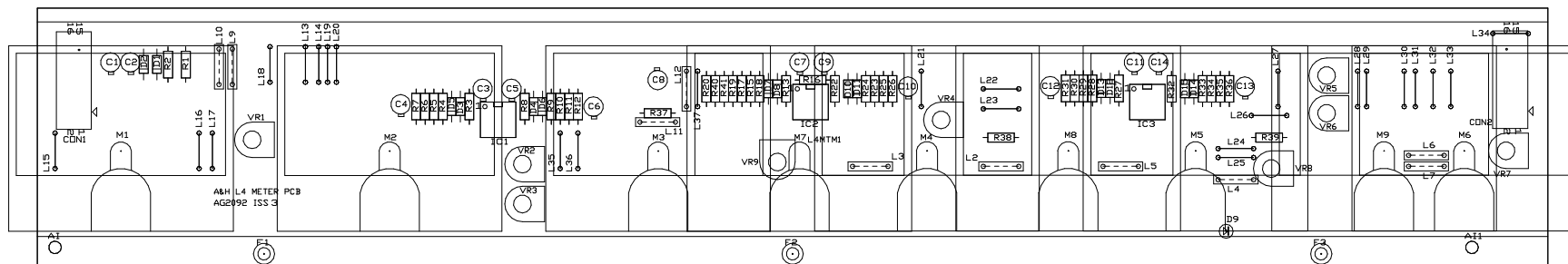
MANUFACTURED IN ENGLAND BY
ALLEN & HEATH

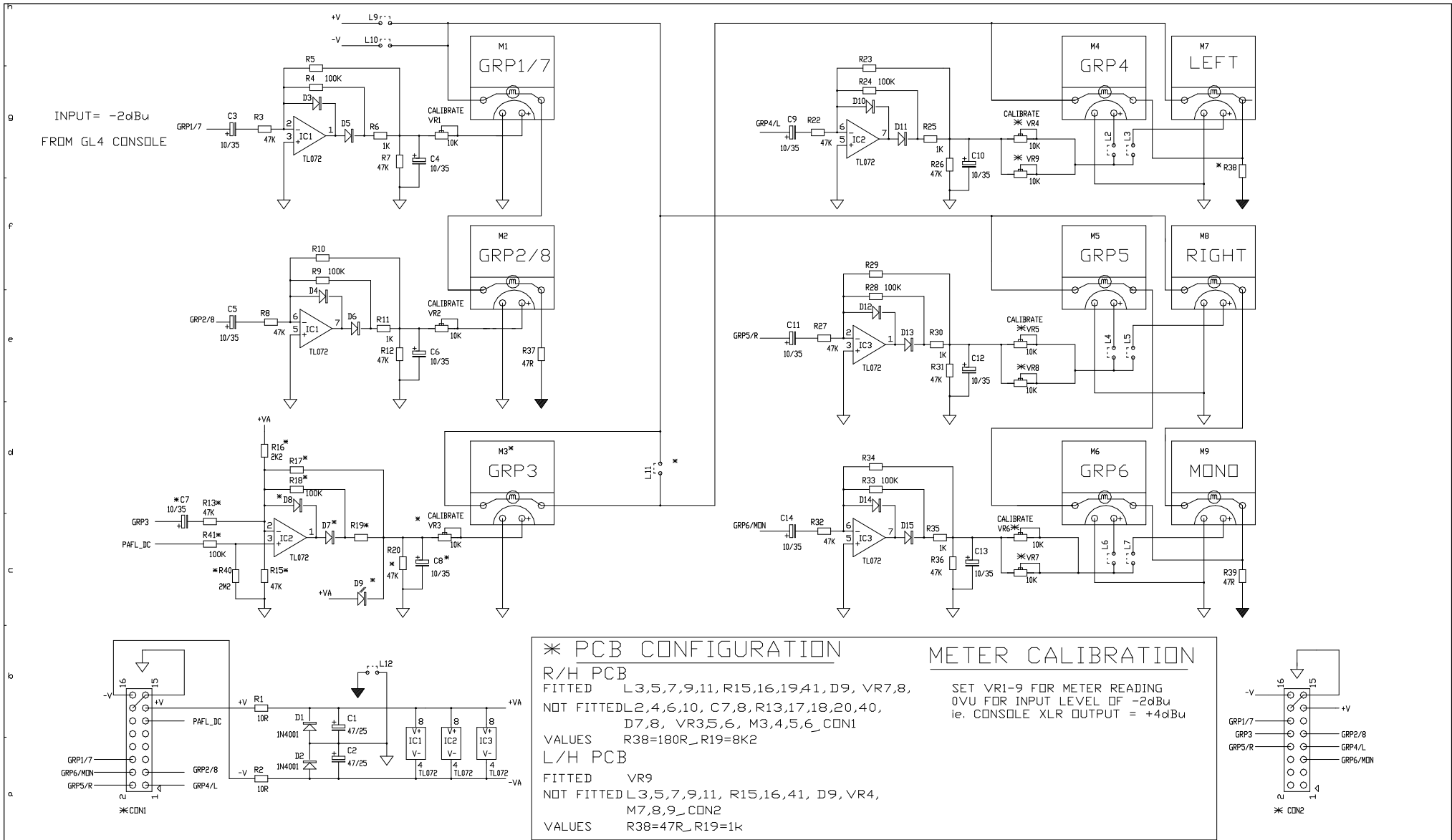
DRAWING No. C2007 ISSUE 2

A2



ISS.	REVISION	BY	DATE	NOTES	UNIT TITLE	MANUFACTURED IN ENGLAND BY	
A	ORIGIN	DRP	8-9-94	1. RESISTORS MARKED * ARE 1% ALL OTHERS ARE 5% 1/4W UNLESS OTHERWISE MARKED 2. ELECTROLYTIC CAPACITORS ARE 7F/VOLTS	GL4	ALLEN & HEATH	
1	PRODUCTION	DRP	13-9-94		DRAWING TITLE	DRAWING No. C2007	
2	12 WAY CONN WERE 11 WAY	DRP	29-11-94		MASTER-CONNECTOR CIRCUIT DIAGRAM	ISSUE 2	A2





ISS.	REVISION	BY DATE	NOTES
A	1	ORIGIN PRODUCTION	ARJ1-8-94 DRP16-9-94

NOTES

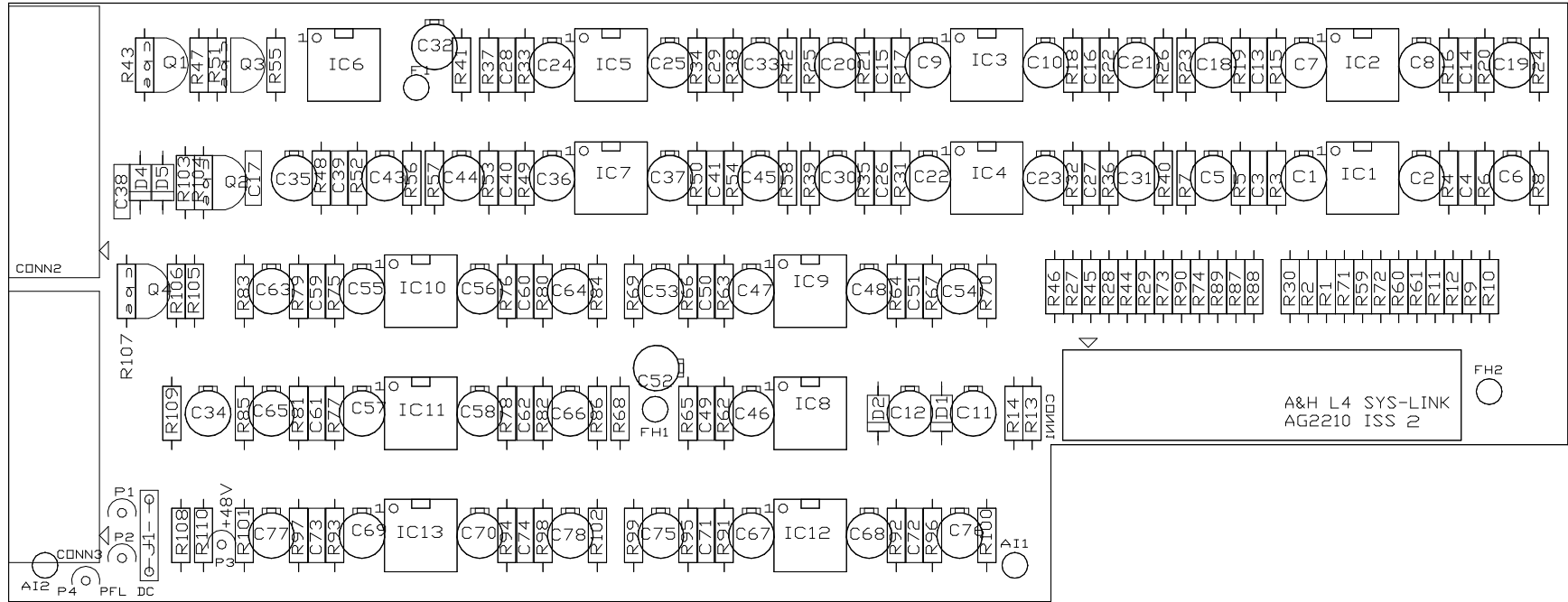
- ALL RESISTORS ARE 5% 1/4W UNLESS OTHERWISE MARKED
- ELECTROLYTIC CAPACITORS ARE F/VOLTS
- ALL DIODES 1N4148 UNLESS OTHERWISE MARKED

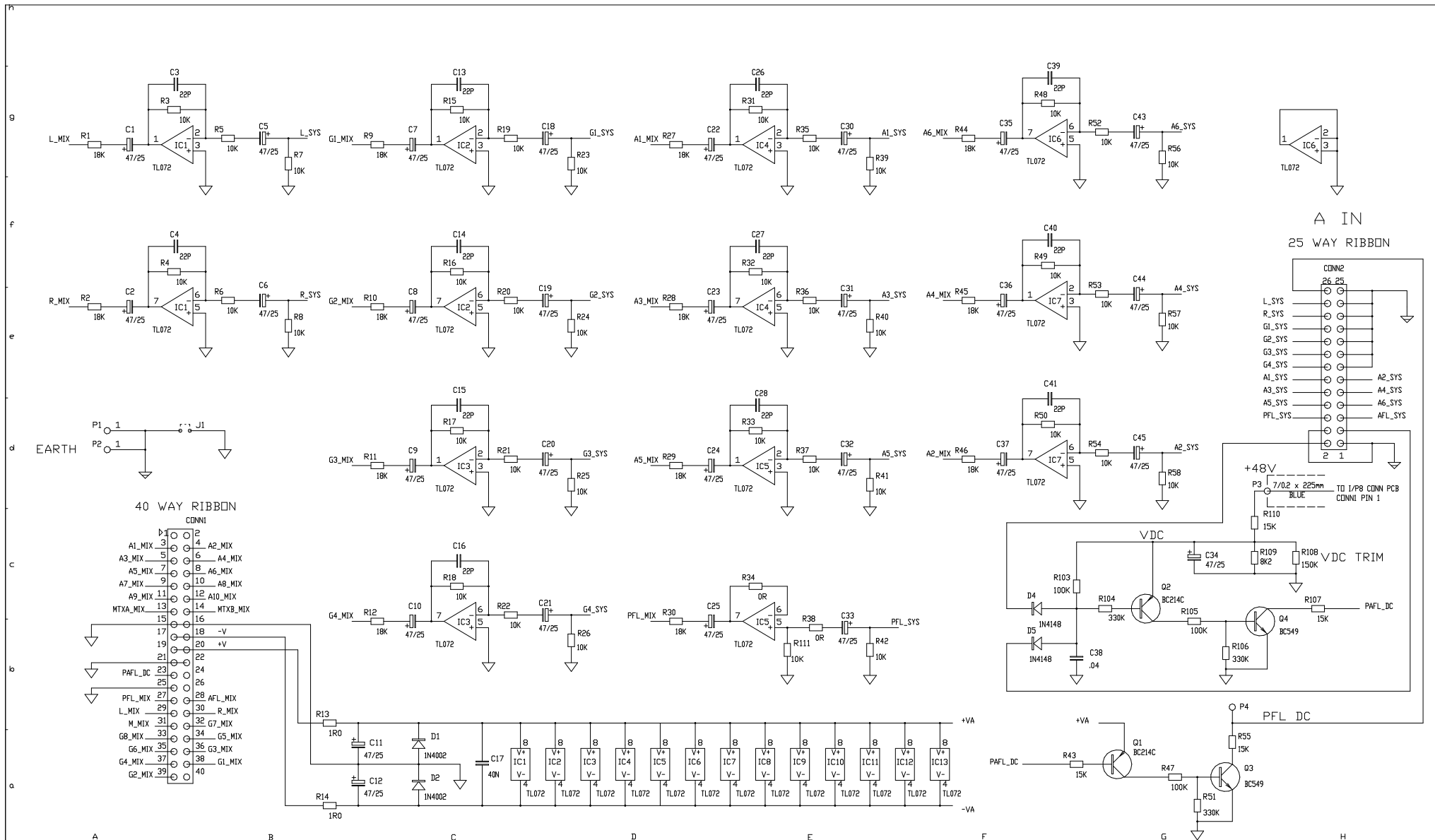
UNIT TITLE
GL4

DRAWING TITLE
**CIRCUIT DIAGRAM
 METER PCB
 FOR PCB AG2092**

MANUFACTURED IN ENGLAND BY
ALLEN & HEATH

DRAWING No. **C2092** ISSUE **1**





ISS.	REVISION	BY DATE
A	ORIGIN	DRP 21-9-94
1	PRODUCTION	DRP 27-2-95
2	CCT CHANGE IC5B	ARJ 26-6-95

NOTES
1. RESISTORS MARKED * ARE 1% ALL OTHERS ARE 5%, 1/4W UNLESS OTHERWISE MARKED
2. ELECTROLYTIC CAPACITORS ARE 7F/VOLTS

UNIT TITLE	GL4
DRAWING TITLE	SYS-LINK PCB

MANUFACTURED IN ENGLAND BY	
ALLEN & HEATH	
DRAWING No.	C2210
ISSUE	1
	A2



ISS.	REVISION	BY DATE	NOTES	UNIT TITLE	MANUFACTURED IN ENGLAND BY
A	ORIGIN	DRP 21-9-94	1. RESISTORS MARKED * ARE 1% ALL OTHERS ARE 5% 1/4W UNLESS OTHERWISE MARKED	GL4	ALLEN & HEATH
1	PRODUCTION	DRP 27-2-95	2. ELECTROLYTIC CAPACITORS ARE 7F/VOLTS	SYS-LINK PCB	
2	CCT CHANGE IC5B	ARJ 26-6-95			DRAWING No. C2210 ISSUE 1