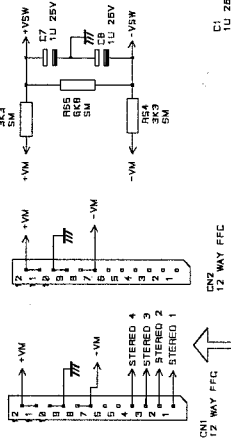
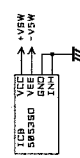


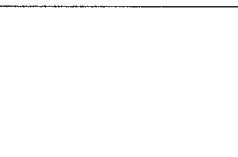
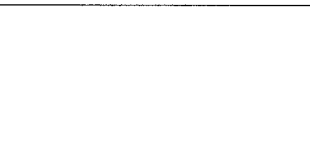
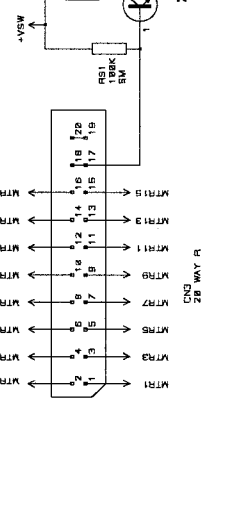
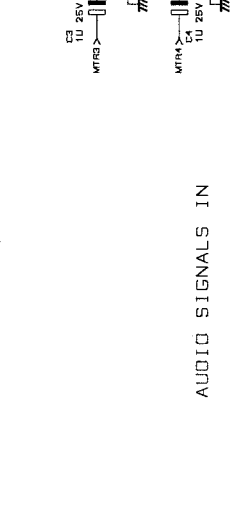
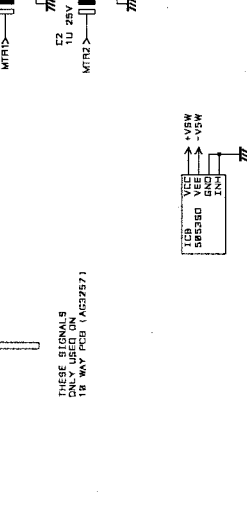
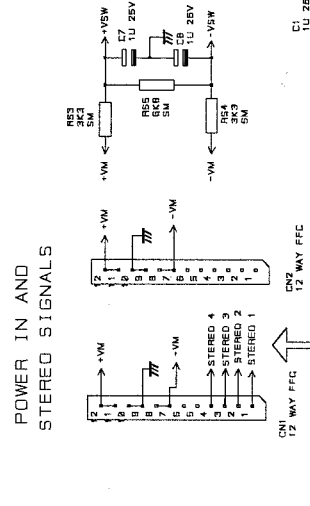
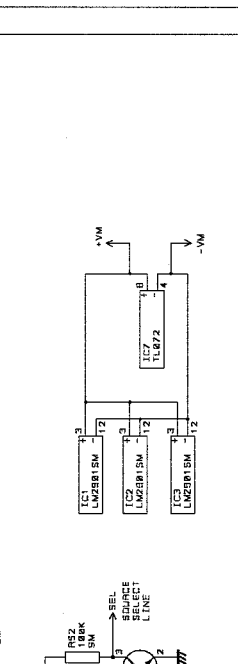
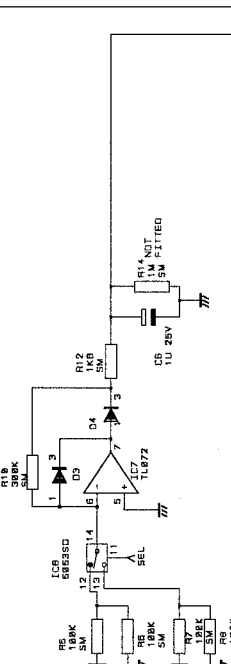
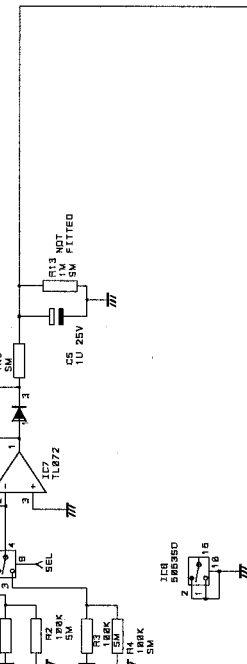
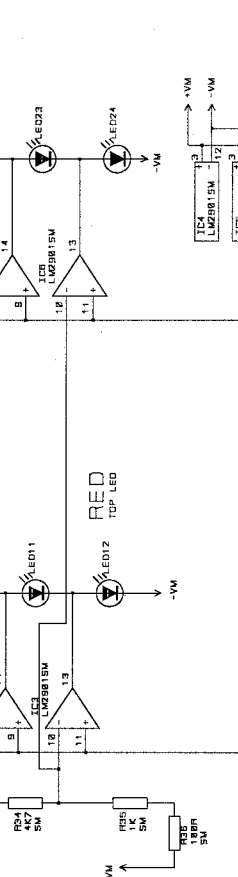
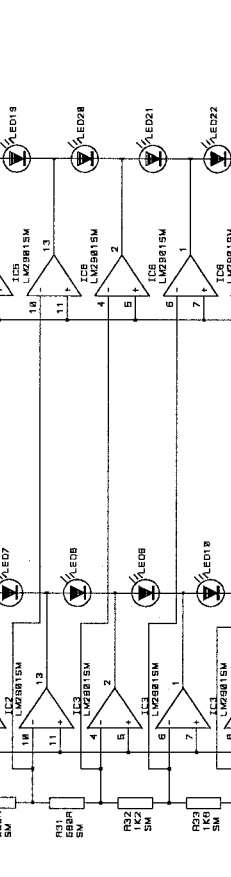
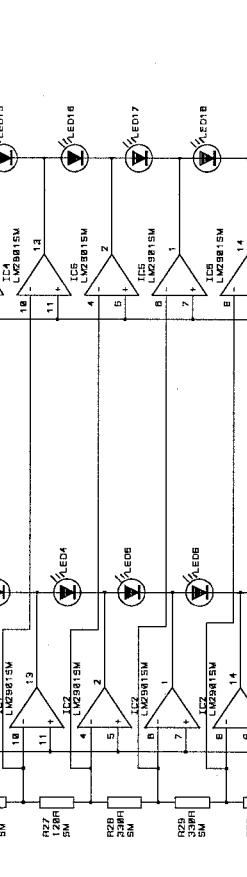
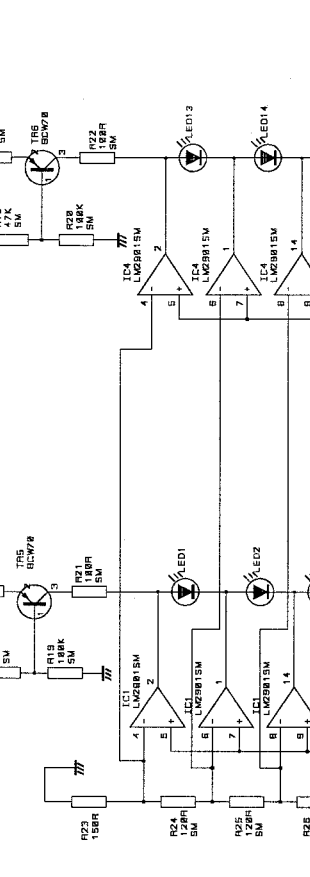
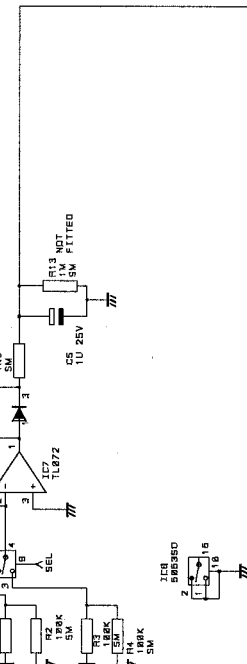
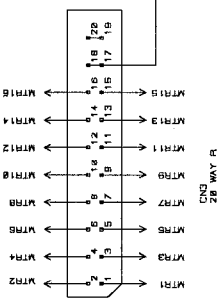
POWER IN AND STEREO SIGNALS



THESE SIGNALS ONLY USED ON 18 WAY PCB (A02357)



AUDIO SIGNALS IN

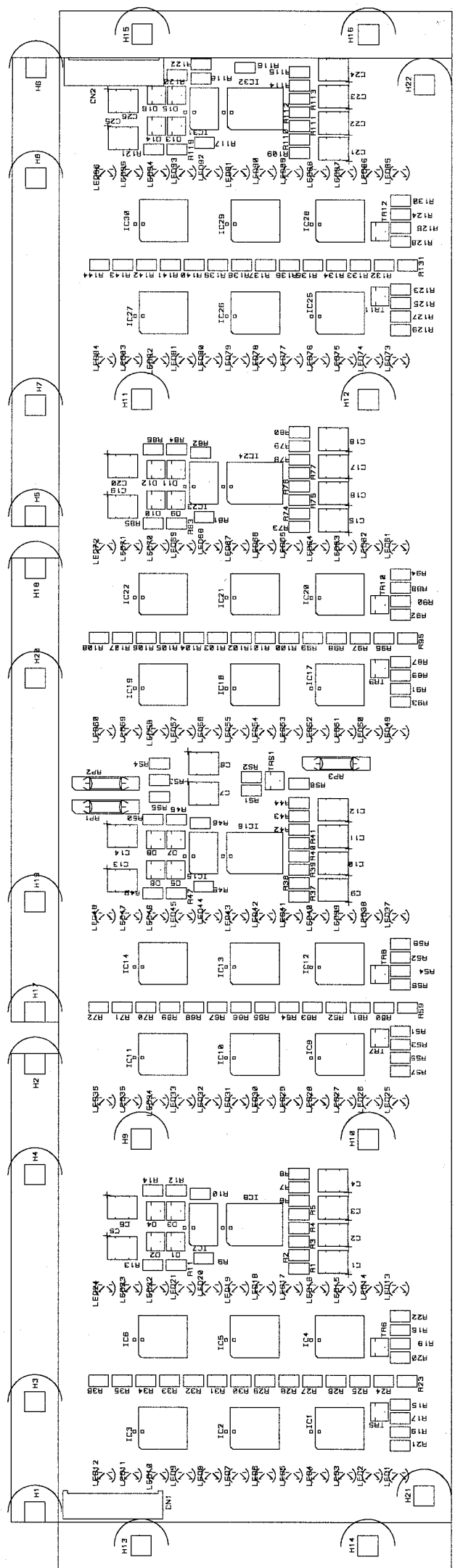


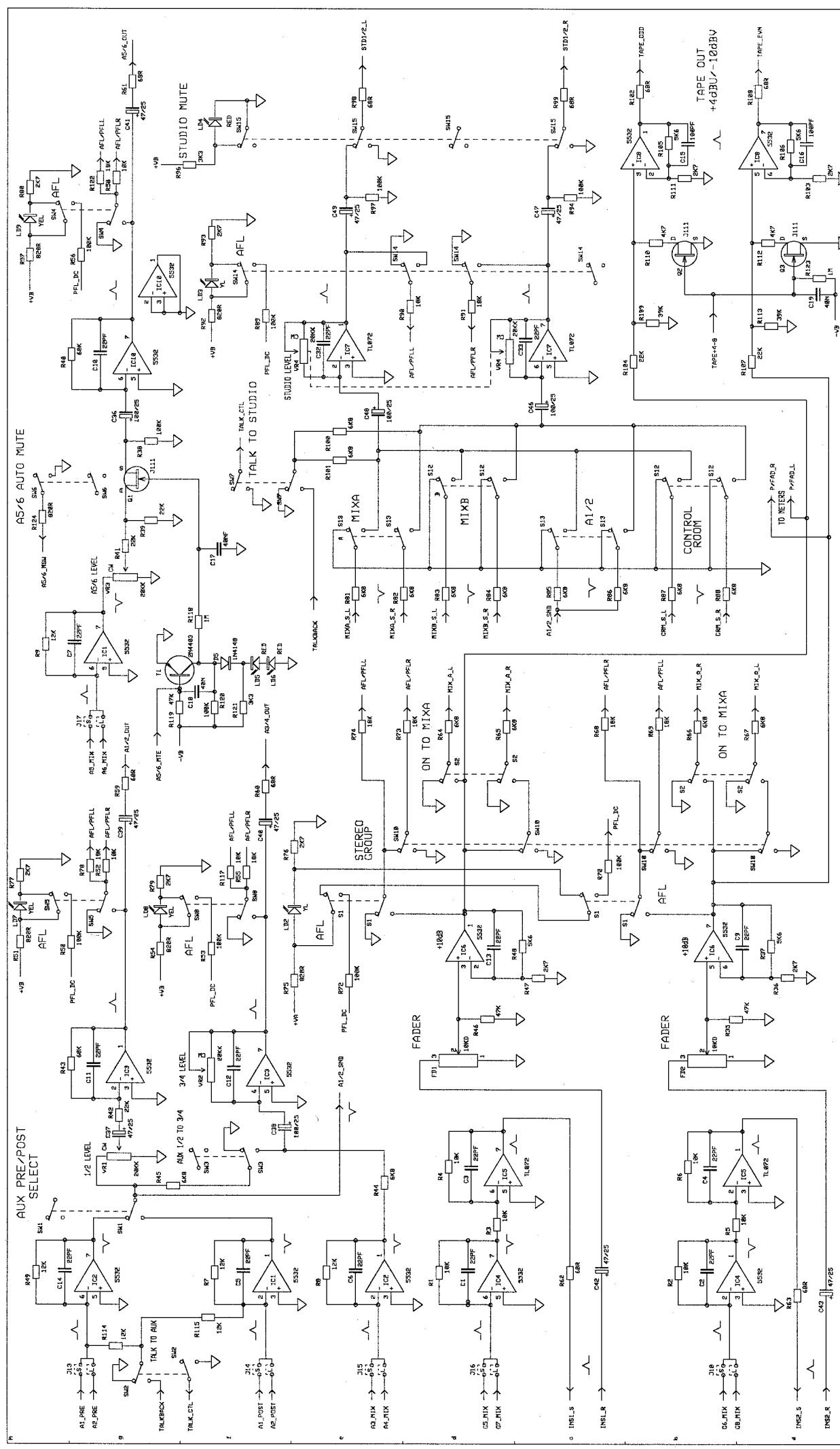
ALLEN & HEATH
COPYRIGHT OF THIS DRAWING
WHICH IS NOT TO BE COPIED,
REPRODUCED OR DISCLOSED, IN PART
OR IN WHOLE TO A THIRD PARTY
WITHOUT WRITTEN PERMISSION.

NOTES
TWO BARGRAPHS ONLY ARE SHOWN
CIRCUIT IS REPEATED 4 TIMES FOR AG3256
CIRCUIT IS REPEATED 5 TIMES FOR AG3257

DRN. MG
ALLEN & HEATH INDUSTRIES LTD.
HARMAN INT. SERVICE INDUSTRIAL EST
CORNWALL
TR10 9LU
TEL: 01326 372870
FAX: 01326 377887

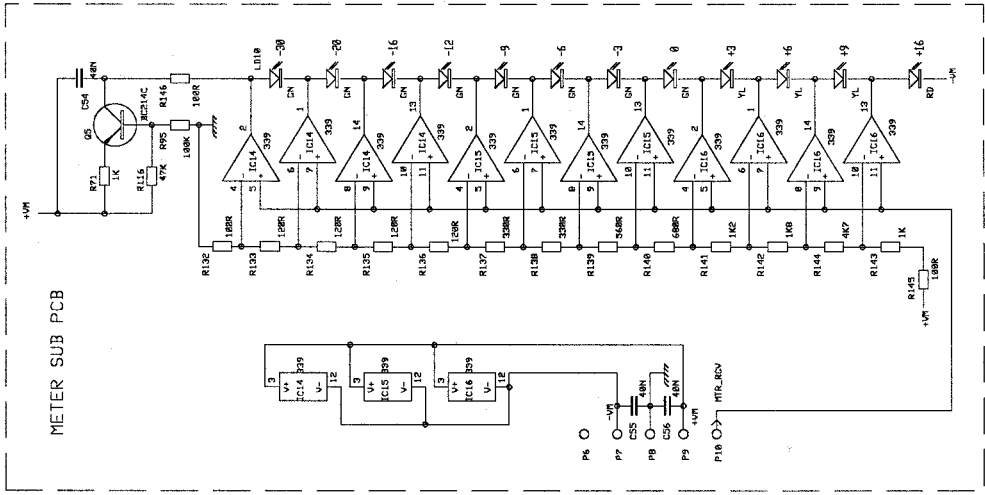
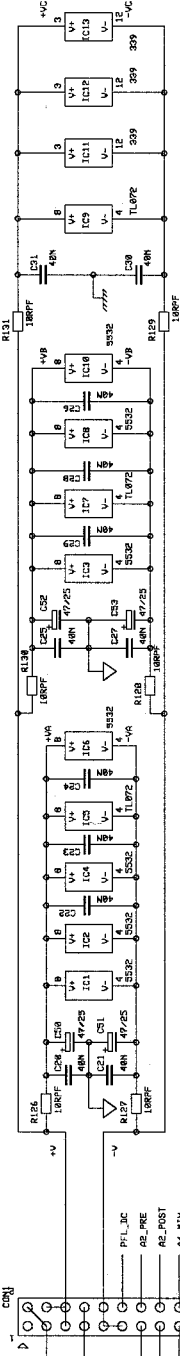
TITLE GS3000
8/10 WAY
METERBRIDGE PCB
DRG NO. 3256/7
SHT. 1 OF 1



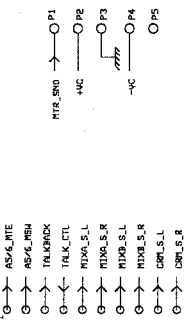


ISS:	A	REVISION	REVISE	BY DATE	REVISE	DATE	REVISE	DATE
1	ORIGIN	PRODUCTION	REVISION	ARJ 17-11-97	ARJ 17-3-98	DWD 14-5-98		
2	UNIT TITLE	S3C	PAGE 1 OF 2	S3C AUX PCB	PCB AG3237/1	C3237/2	ISSUE	2
3	DRAWING TITLE	S3C	PAGE 1 OF 2	S3C AUX PCB	PCB AG3237/1	C3237/2	ISSUE	2
4	DRAWING NO.	S3C	PAGE 1 OF 2	S3C AUX PCB	PCB AG3237/1	C3237/2	ISSUE	2
5	MANUFACTURED IN ENGLAND BY	S3C	PAGE 1 OF 2	S3C AUX PCB	PCB AG3237/1	C3237/2	ISSUE	2
6	NOTES	1. RESISTORS MARKED * ARE 1% ALL OTHERS ARE 5% 1/4W UNLESS OTHERWISE MARKED	2. ELECTROLYTIC CAPACITORS ARE MFD/50V					

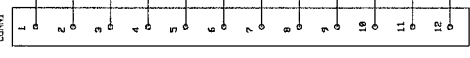
POWER SUPPLY FILTERING



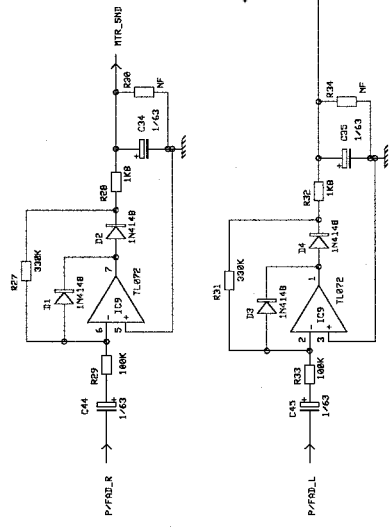
12WAY TO SLAVECARD TO METER SUB PCB



12WAY TO FLEXI-LINK



METER RECTIFIERS



NOTES
 1. RESISTORS MARKED * ARE 1%
 ALL OTHERS ARE 5% 1/4W UNLESS OTHERWISE MARKED
 2. ELECTROLYTIC CAPACITORS ARE MF/VOLTS

ISS.	REVISION	BY	DATE
A	ORIGIN	ARJ	17-11-97
1	PRODUCTION	ARJ	17-3-98
2	REVISION	DWD	14-5-98

UNIT TITLE
 S3C

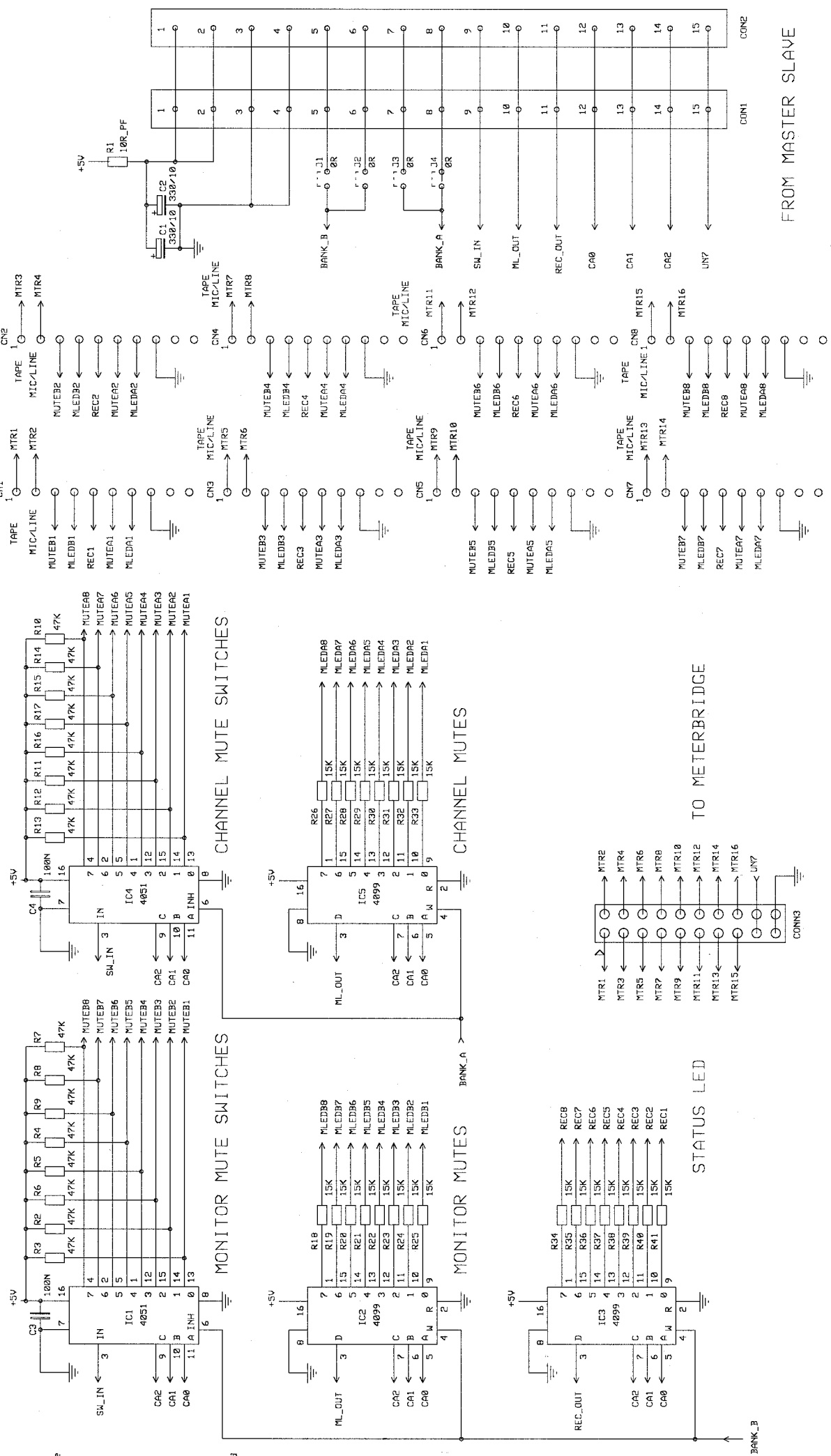
PAGE 2

MANUFACTURED IN ENGLAND BY
 ALLEN & HEATH
 DRAWING No. C3237/2

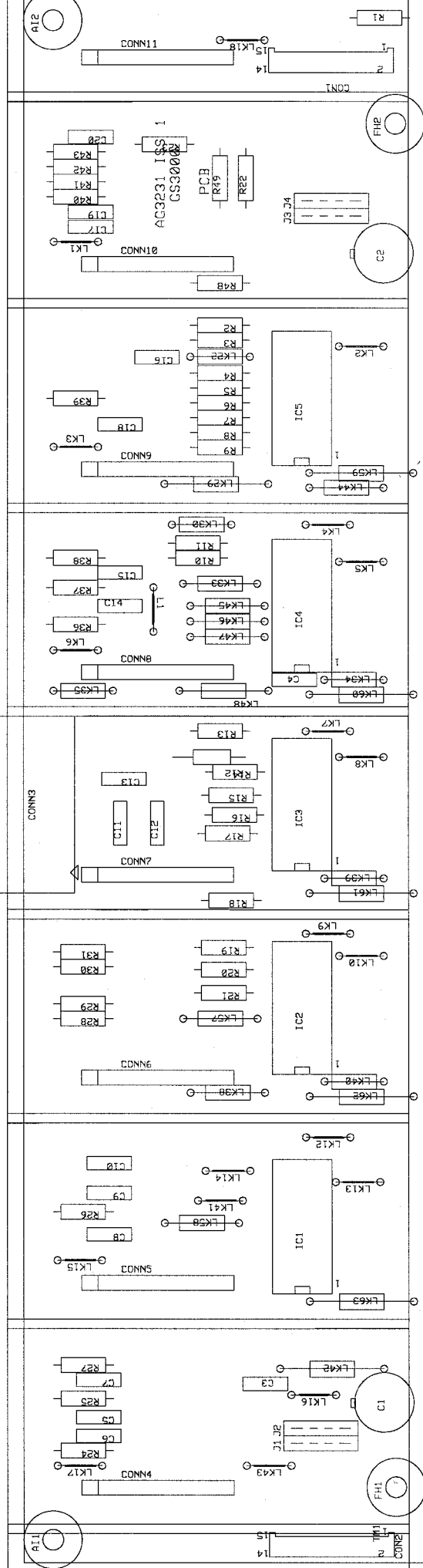
DRIVING TITLE
 S3C AUX PCB

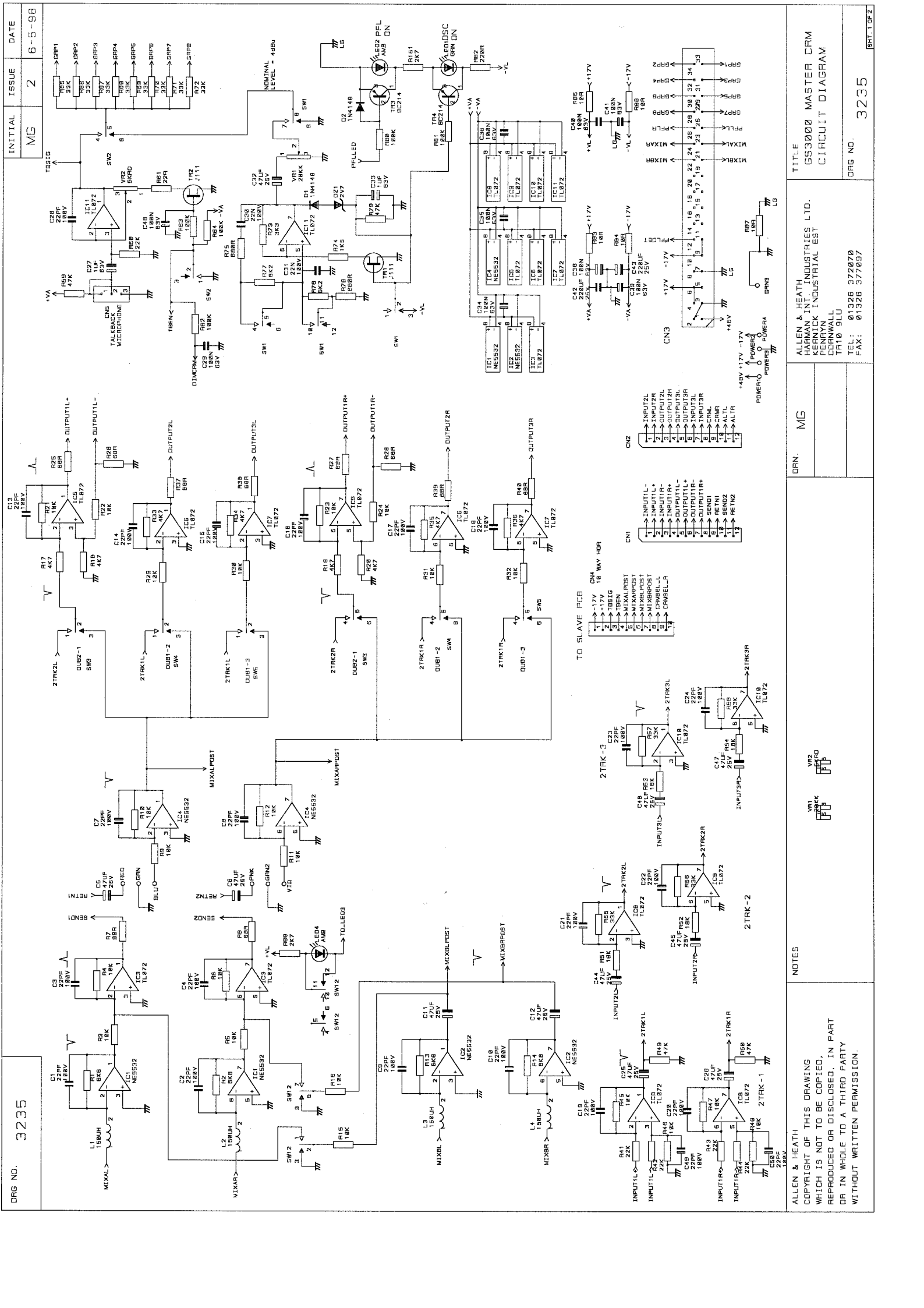
PCB AG3237/1

ISSUE
 2



ISS.	REVISION	BY DATE	UNIT TITLE	MANUFACTURED IN ENGLAND BY
A	ORIGIN	AAT 12-12-97	DRAWING TITLE	ALLEN & HEATH
1	PRODUCTION	ARJ 30-3-98	INPUT SLAVE	
2	REVISION	DWD 15-5-98		
			PCB TYPE AG 3231	
			DRAWING No. C3231	
			ISSUE	
			2	
				A3

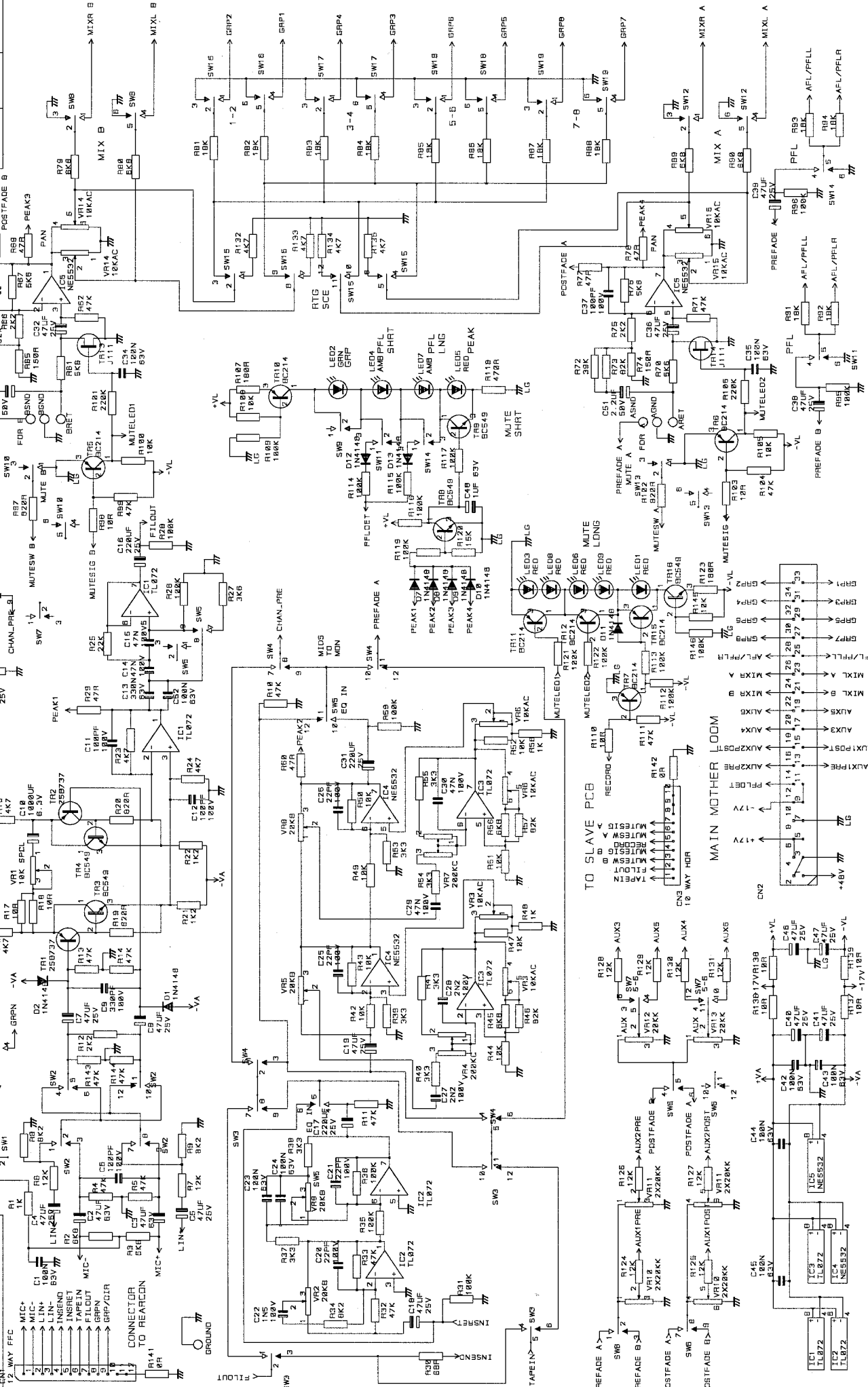




ALLEN & HEATH
 HARMAN INT. INDUSTRIES LTD.
 KERNICK INDUSTRIAL EST
 CORNWALL
 TR10 9LU
 TEL: 01326 372870
 FAX: 01326 377897

DRN. MG

NOTES
 ALLEN & HEATH
 COPYRIGHT OF THIS DRAWING
 WHICH IS NOT TO BE COPIED,
 REPRODUCED OR DISCLOSED, IN PART
 OR IN WHOLE TO A THIRD PARTY
 WITHOUT WRITTEN PERMISSION.



DRG NO. 3206

DATE 11/13/98

ISSUE 1

INITIAL MG

TITLE 6S3000 MONO 1/P

DRG NO. 3206

ALLEN & HEATH
HARMAN INT. INDUSTRIES LTD.
KERNICK INDUSTRIAL EST
LORNWALL
TR10 9LU
TEL: 01326 372070
FAX: 01326 372059

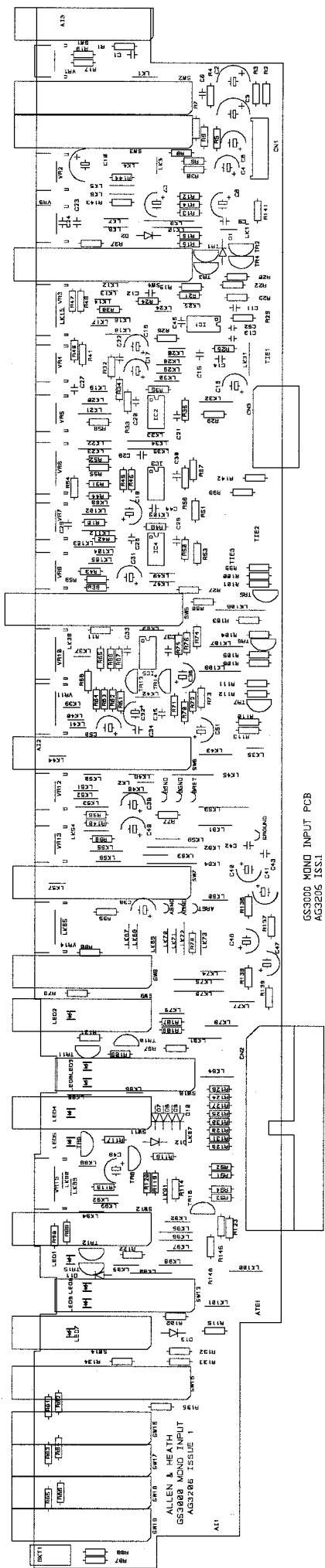
DRN MG

NOTES

VRI VR2 VR3 VR4
10K 10K 10K 10K
VR5 VR6 VR7
20K 20K 20K
VR8 VR9 VR10
20K 20K 20K
VR11 VR12 VR13 VR14
20K 20K 20K 20K
VR15 VR16 VR17
20K 20K 20K

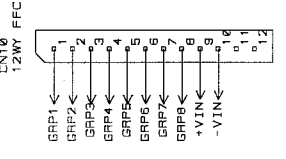
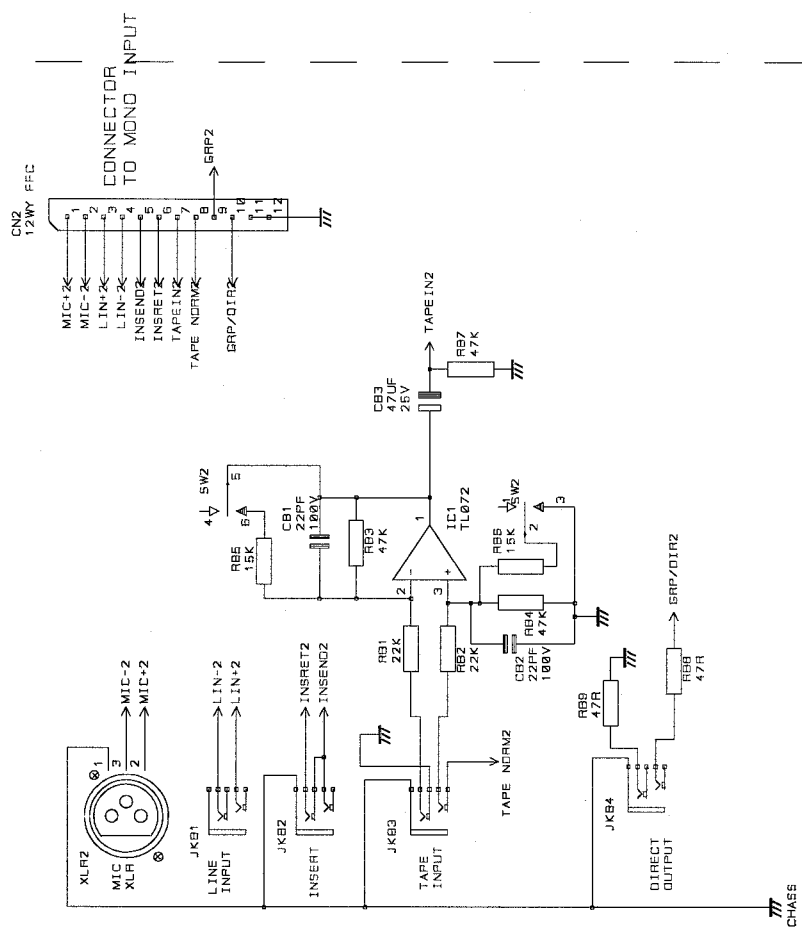
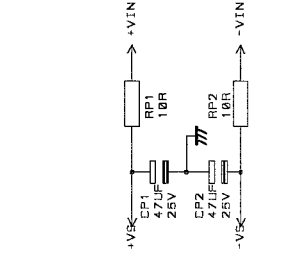
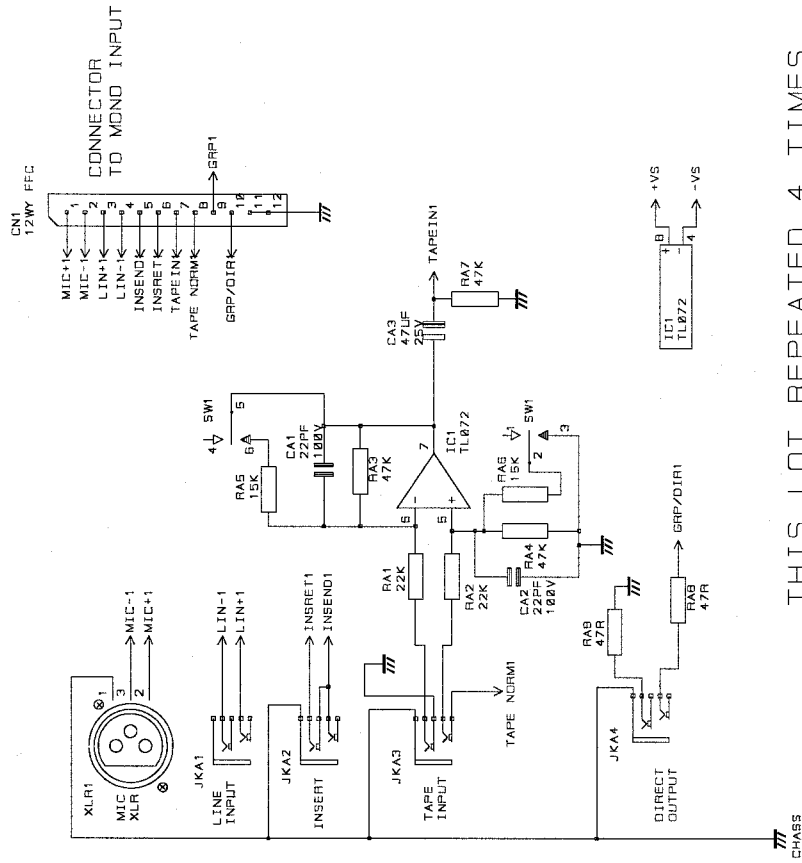
POT BRACKETS CONNECTED TO FRONT PANEL FOR HUM SHIELDING

REPRODUCED OR DISCLOSED, IN PART OR IN WHOLE TO A THIRD PARTY WITHOUT WRITTEN PERMISSION.



GS3000 MONO INPUT PCB
AG3205 ISS.1

ALLEN & HEATH
GS3000 MONO INPUT
AG3205 ISS.1



THIS LOT REPEATED 4 TIMES

NOTES
ALLEN & HEATH OWNS THE COPYRIGHT OF THIS DRAWING WHICH IS NOT TO BE COPIED, REPRODUCED OR DISCLOSED, IN PART OR IN WHOLE TO A THIRD PARTY WITHOUT WRITTEN PERMISSION.

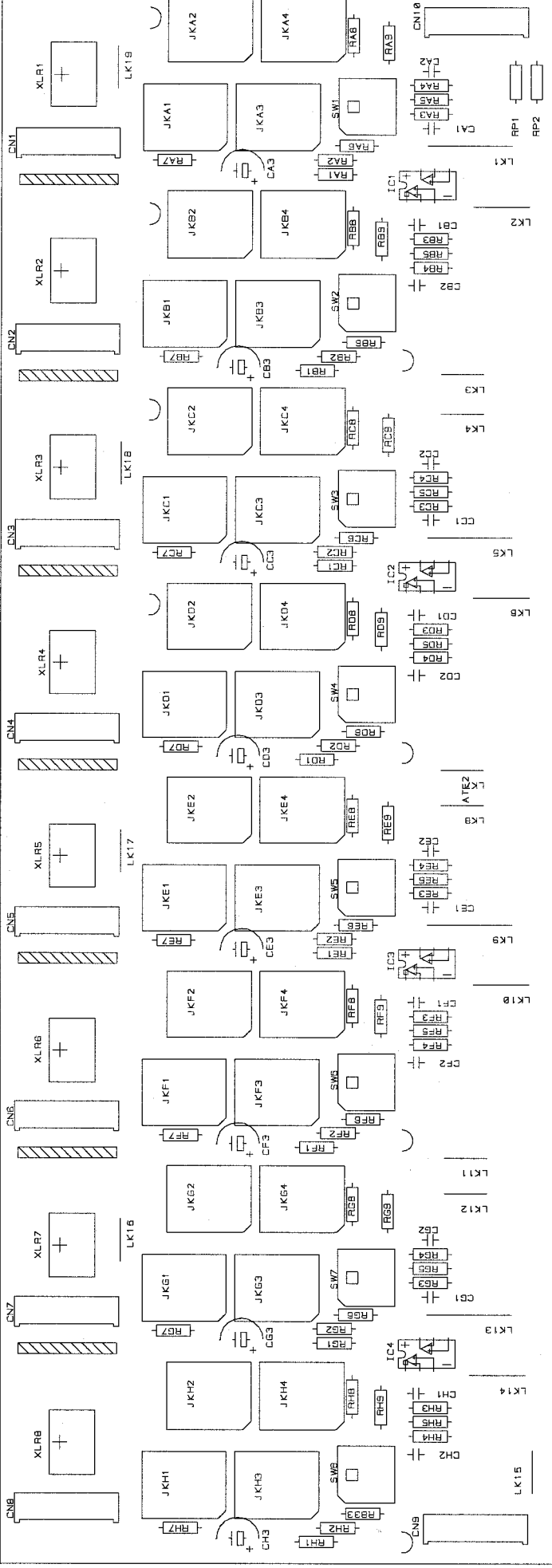
NOTES

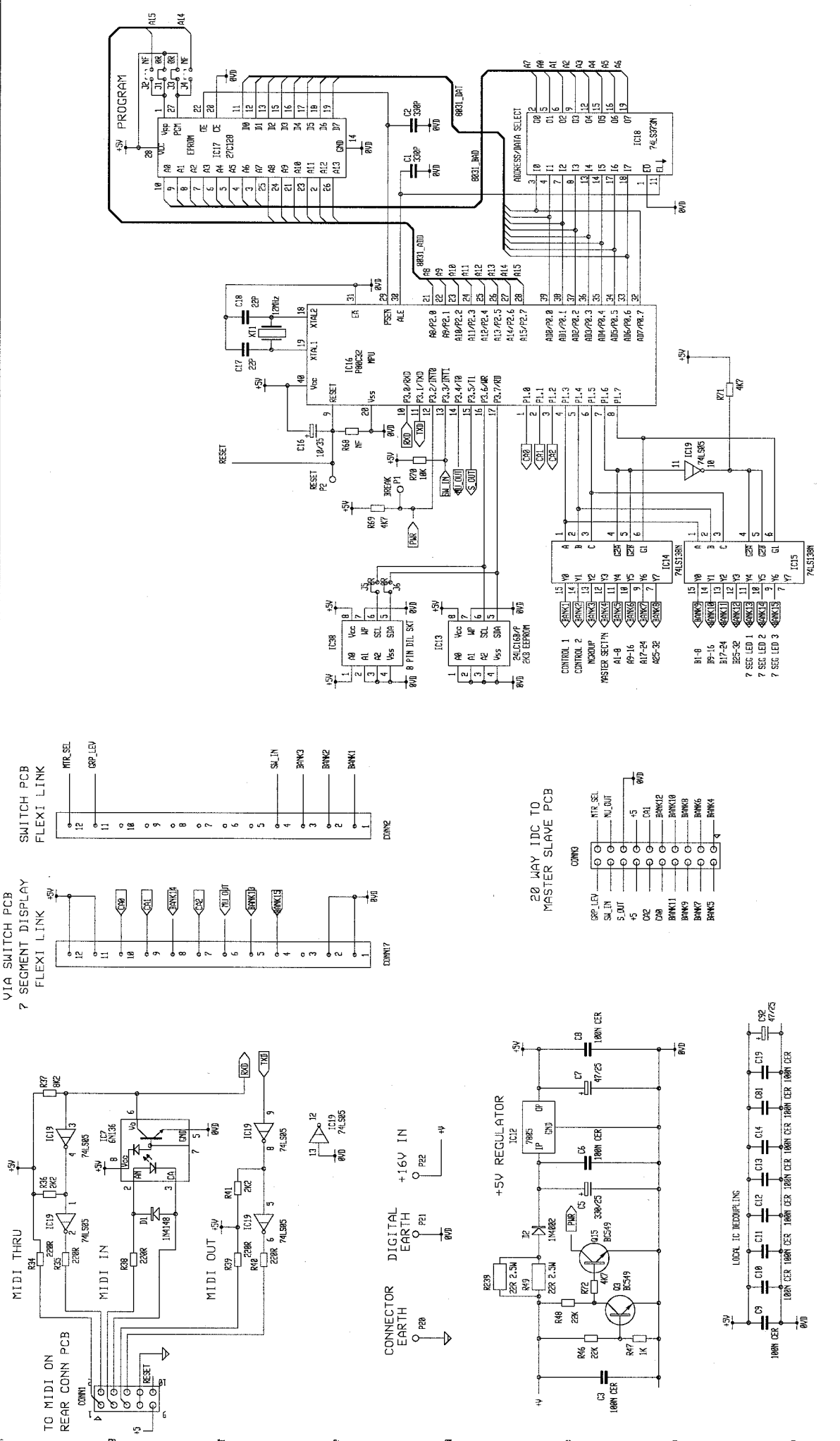
ALLEN & HEATH INDUSTRIES LTD.
KERNICK INDUSTRIAL EST.
CORNWALL
TR10 9LU
TEL: 01326 372872
FAX: 01326 377897

DRN. MG

TITLE
GS3000 MONO INPUT REARCONNECTOR PCB
DRG NO. AG3242
SHT. 1 OF 1

GS3000 MOND INPUT REARCONNECTOR PCB
AG3242 ISS.1



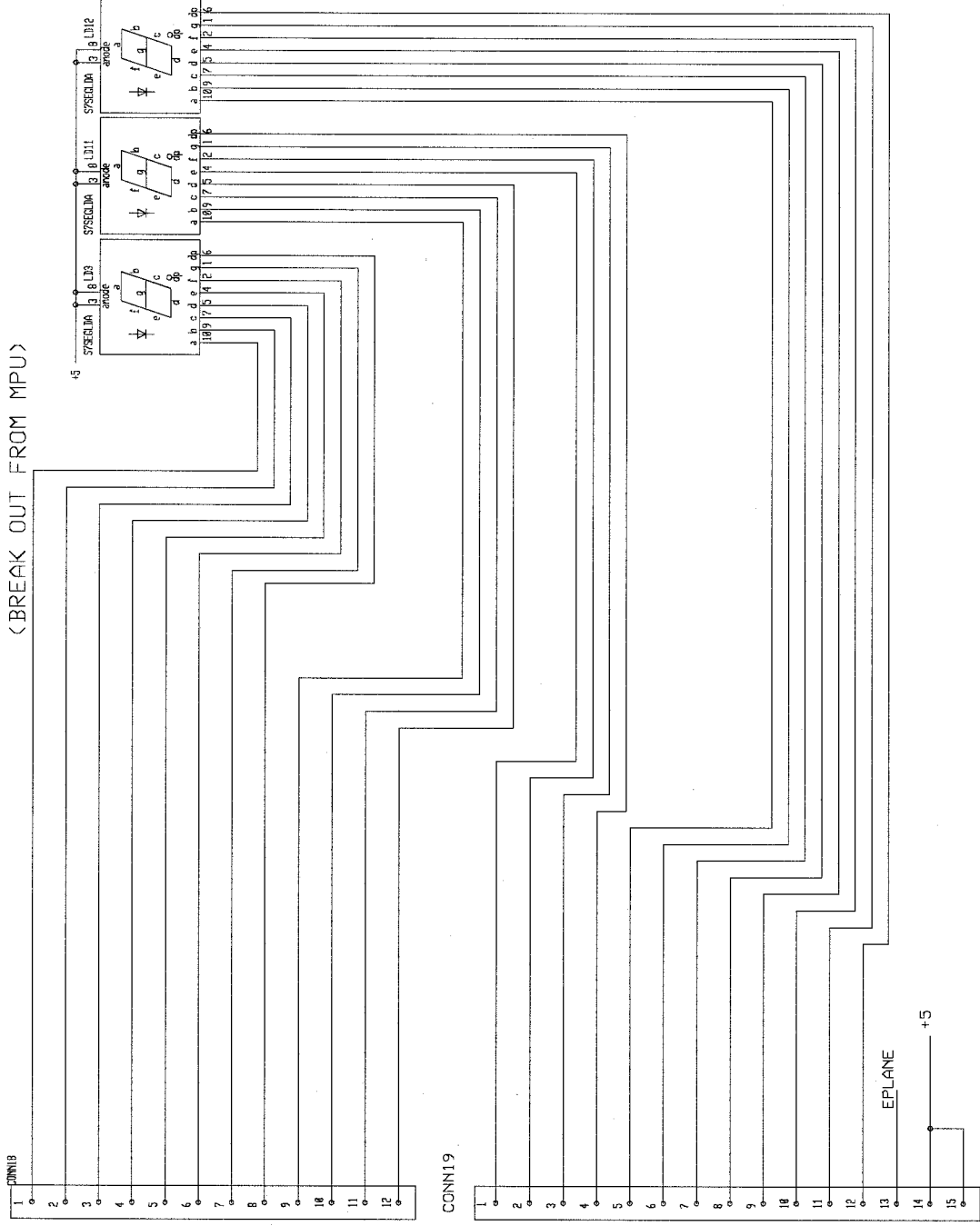


ISS.	1	ORIGIN	DRP 18-3-98	REVISION	BY DATE	NOTES	A	B	C	D	E	F	G	H
1. RESISTORS MARKED * ARE 1% ALL OTHERS ARE 5% 1/4W UNLESS OTHERWISE MARKED 2. ELECTROLYTIC CAPACITORS ARE µF/ADJ IS														
UNIT TITLE S3C PAGE 1 OF 2 DRAWING TITLE MPU CIRCUIT DIAGRAM														
MANUFACTURED IN ENGLAND BY ALLEN & HEATH DRAWING No. C3236 ISSUE 1														

FLEXI LINKS
TO SWITCH PCB

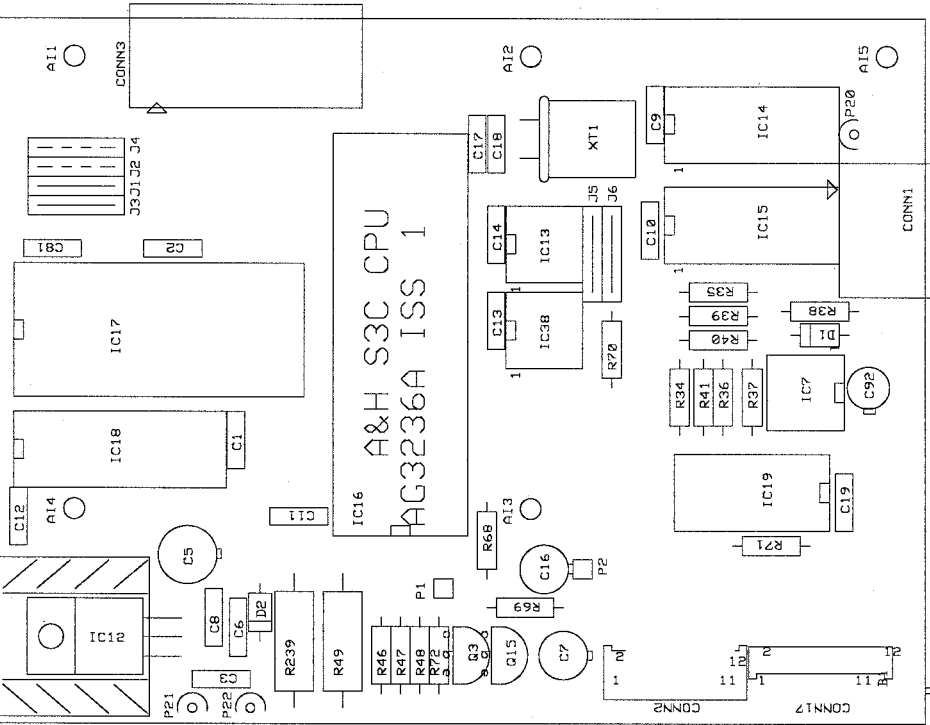
7 SEGMENT LED BOARD AG3236B

<BREAK OUT FROM MPU>



ISS.	REVISION	BY	DATE	A	B	C	D	E	F	G	H
1	ORIGIN	DRP	18-3-98								
NOTES				UNIT TITLE		DRAWING TITLE		PAGE 2 OF 2		MANUFACTURED IN ENGLAND BY	
1. RESISTORS MARKED * ARE 1% ALL OTHERS ARE 5% 1/4W UNLESS OTHERWISE MARKED				S3C		MPU CIRCUIT DIAGRAM		ALLEN & HEATH		DRAWING No. C3236	
2. ELECTROLYTIC CAPACITORS ARE µF/VOLTS										ISSUE 1	
											A2

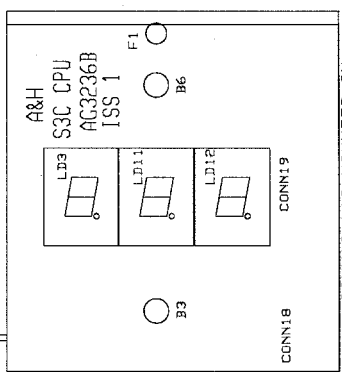
IDC TO MASTER
AND SLAVE



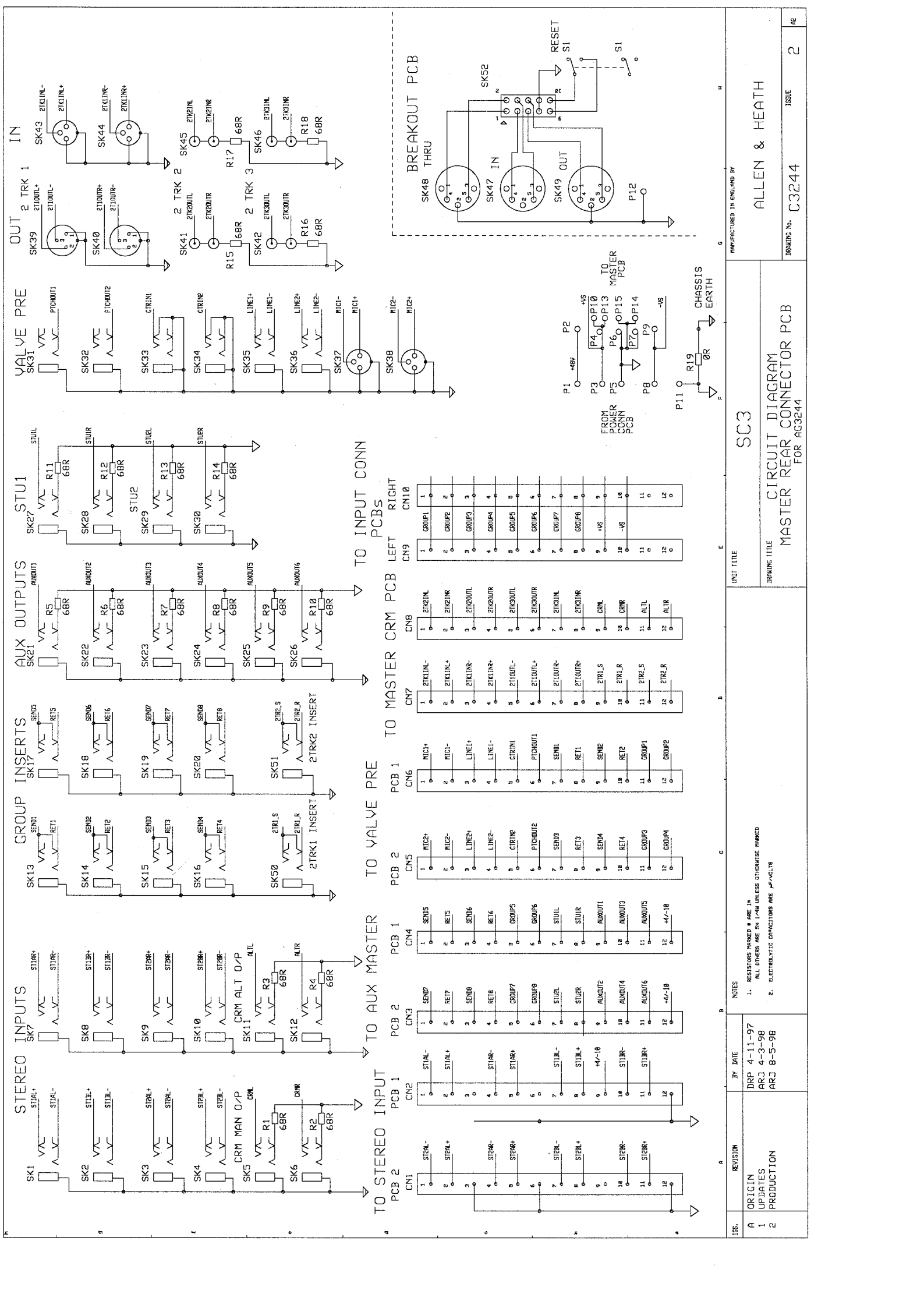
TO SWITCH
PCB

TO 7 SEG
DISPLAY
PCB
VIA SWITCH
PCB

10 WAY IDC
TO MIDI



CONN18 & 19 MOUNTED ON
SOLDER SIDE



MANUFACTURED IN ENGLAND BY

ALLEN & HEATH
 DRAWING No. C3244
 ISSUE 2

UNIT TITLE

SC3
 CIRCUIT DIAGRAM
 MASTER REAR CONNECTOR PCB
 FOR AG3244

NOTES

1. RESISTORS MARKED R ARE IN
 ALL OTHERS ARE IN 1/4W UNLESS OTHERWISE MARKED
 2. ELECTROLYTIC CAPACITORS ARE IN MICROFARADS

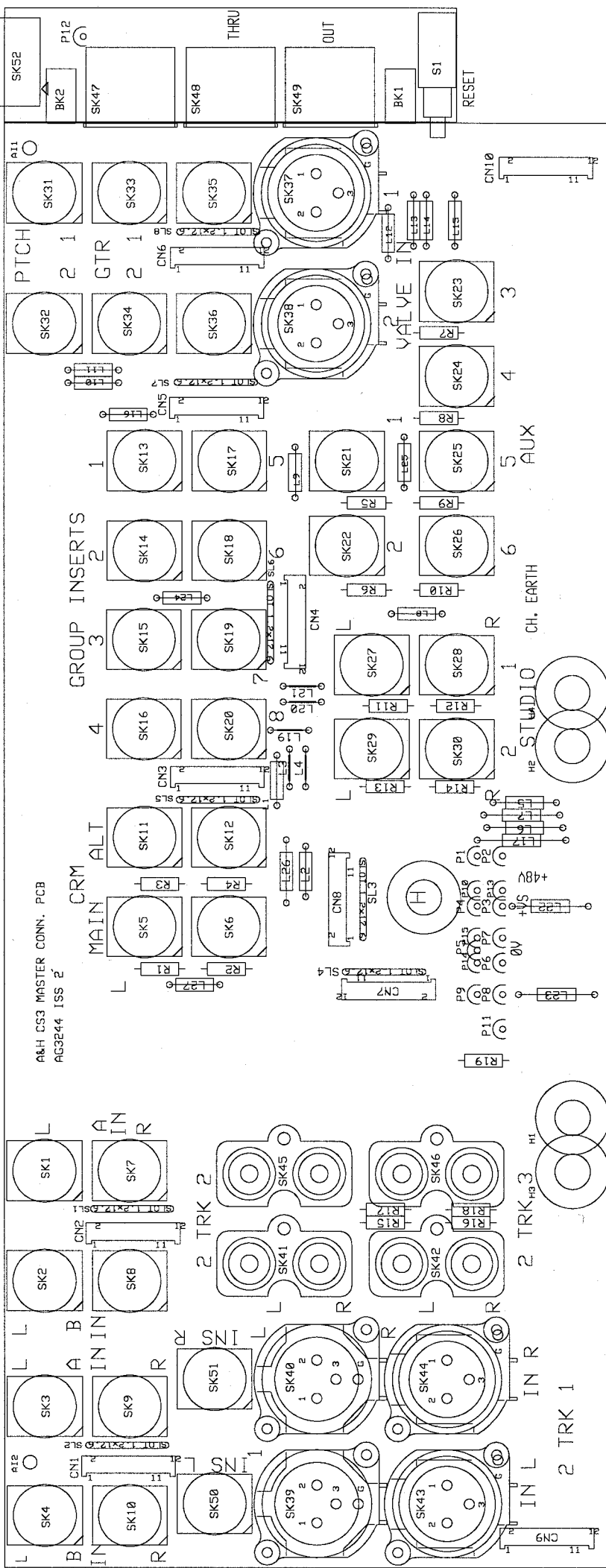
BY DATE

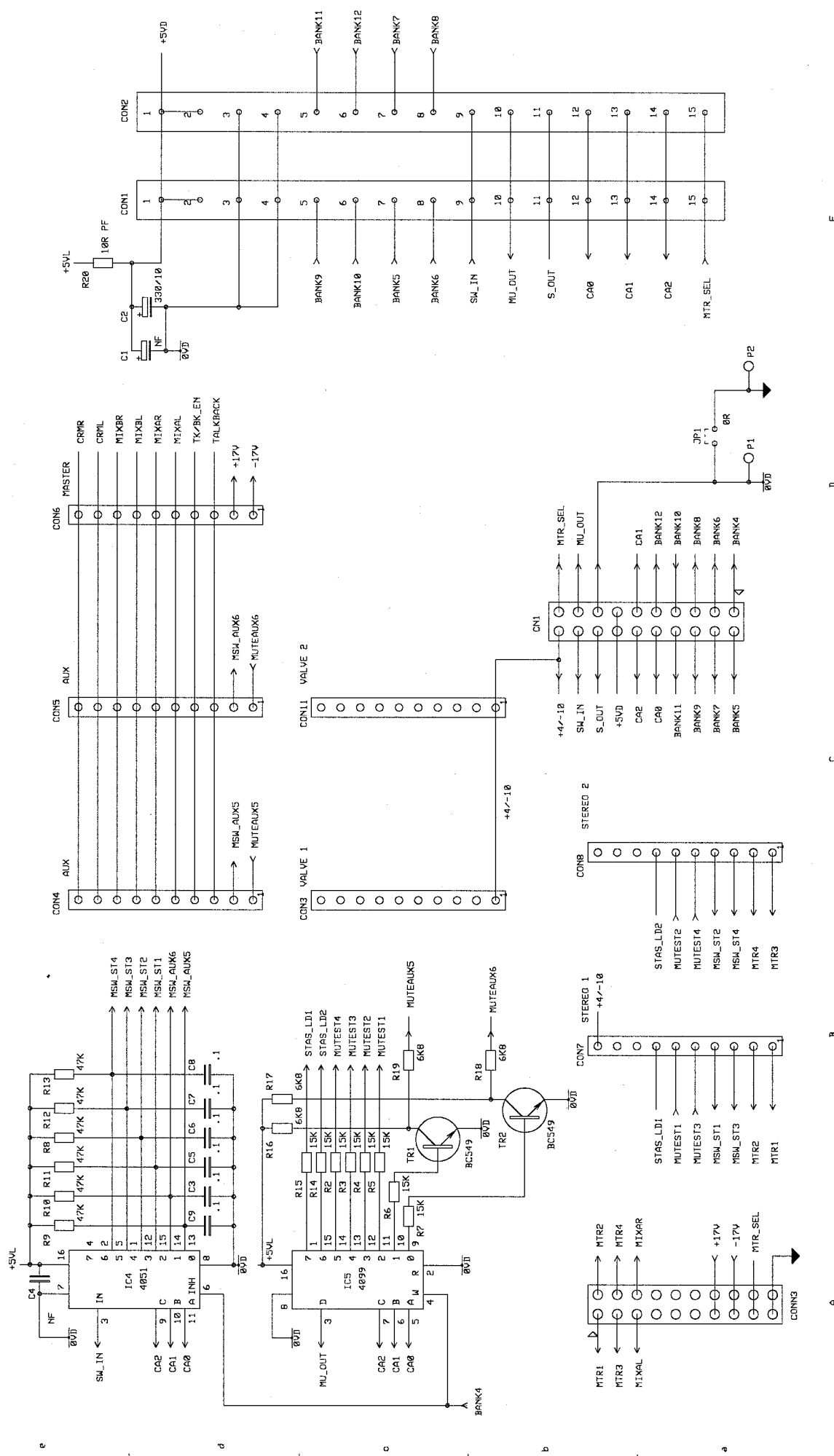
DRP 4-11-97
 ARJ 4-3-98
 ARJ 8-5-98

REVISION

1 ORIGIN
 2 UPDATES
 3 PRODUCTION

AA&H CS3 MASTER CONN. PCB
AG3244 ISS 2



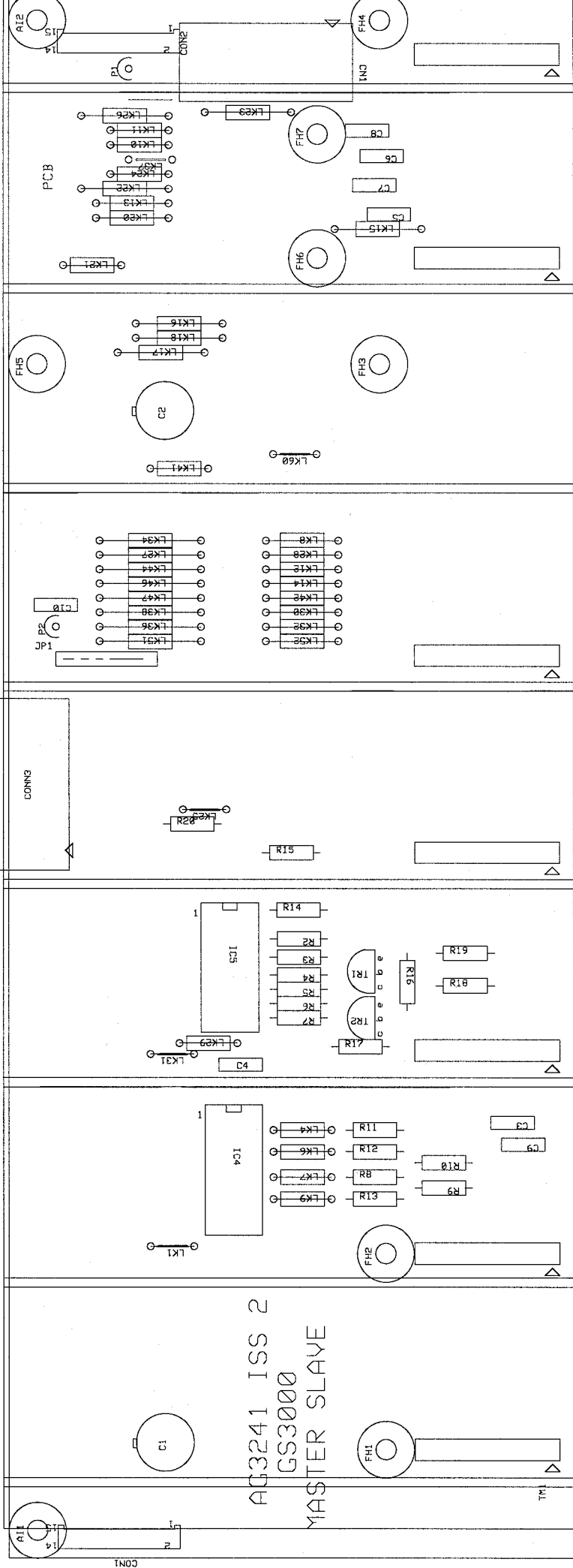


MANUFACTURED IN ENGLAND BY
ALLEN & HEATH
 DRAWING No. C3241 ISSUE 2

UNIT TITLE
**GS3000
 MASTER SLAYE**

NOTES
 1. RESISTORS MARKED * ARE 1%
 ALL OTHERS ARE 5% 1/4W UNLESS
 OTHERWISE MARKED
 2. ELECTROLYTIC CAPACITORS ARE
 µF/VOLTS

ISS.	REVISION	BY	DATE
A	ORIGIN	AA	19-12-97
1	PRODUCTION	AR	17-3-98
2	REVISION	DWD	18-5-98

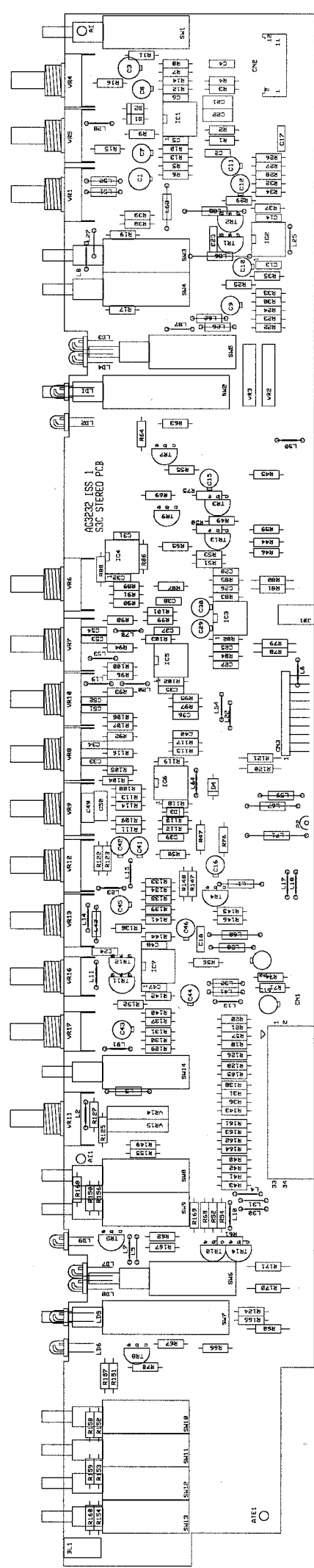


AC3241 ISS 2
 GS3000
 MASTER SLAVE

CON1

CON2
 CON3
 CON4
 CON5
 CON6
 CON7
 CON8

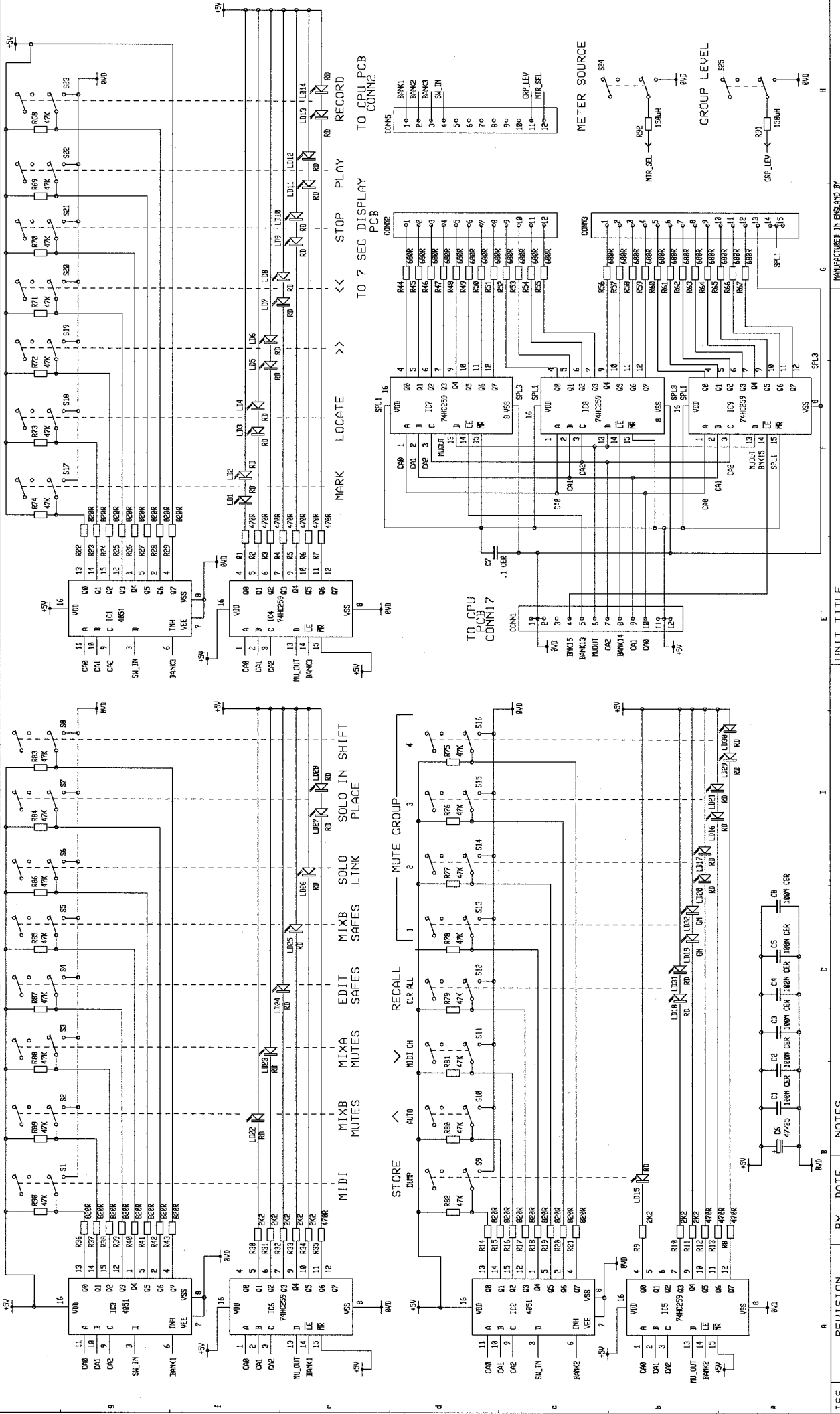
CON9



MAIN 34 WAY IDC

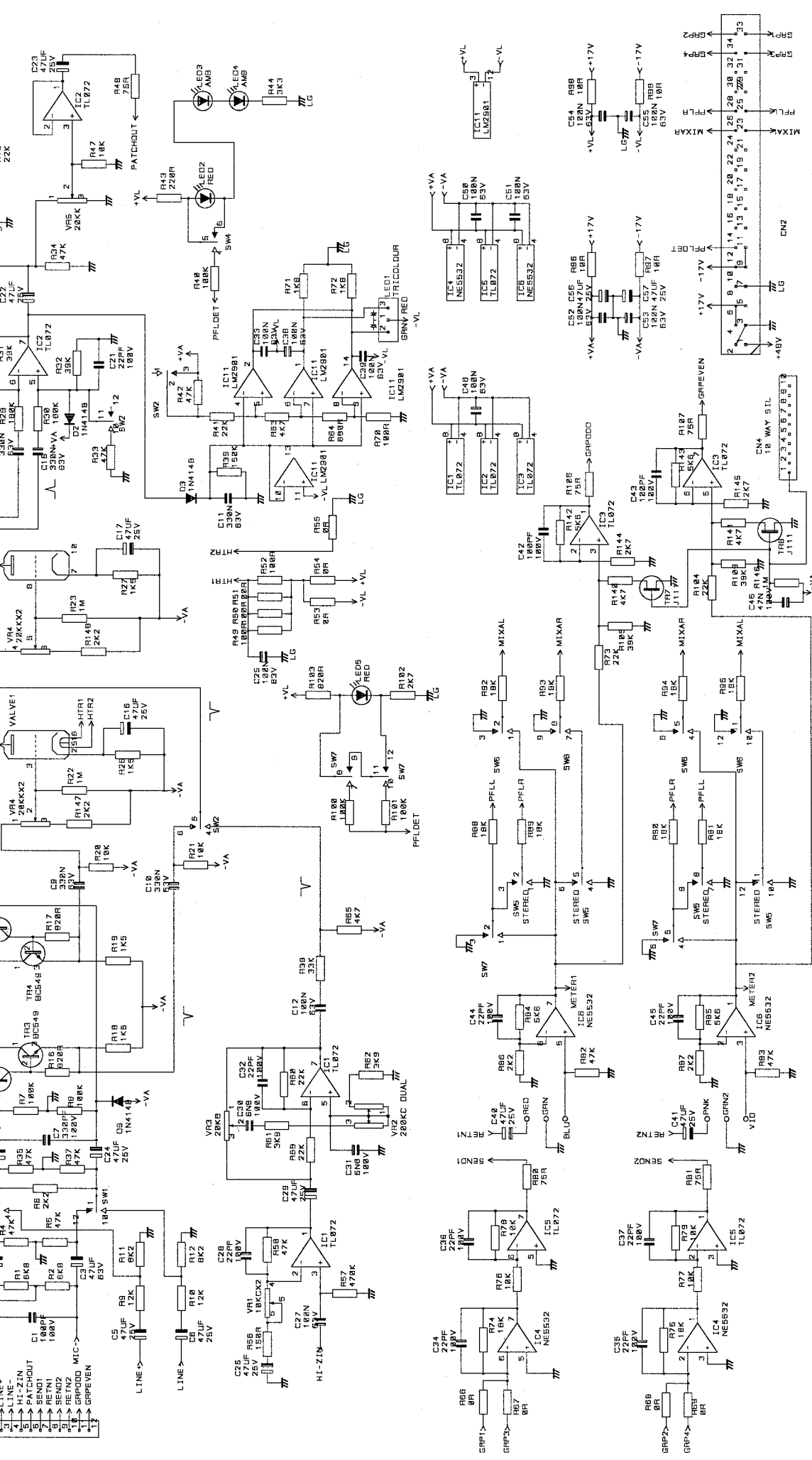
SLAVE PCB

REAR CONN PCB



ISS.		A		ORIGIN		BY DATE		NOTES		UNIT TITLE		DRAWING No. C3239		ISSUE 2		A2	
1		PRODN		ARJ 16-12-97		ARJ 16-12-97		1. RESISTORS MARKED * ARE 1x		S3C		DRAWING No. C3239		A2		A2	
2		UPDATE		DSP 12-3-98		DSP 12-3-98		ALL OTHERS ARE 5x 1/4W UNLESS OTHERWISE MARKED		CIRCUIT DIAGRAM		DRAWING No. C3239		A2		A2	
				DWJ 18-5-98		DWJ 18-5-98		2. ELECTROLYTIC CAPACITORS ARE µF/VOLTS		SWITCH PCB		DRAWING No. C3239		A2		A2	

MANUFACTURED IN ENGLAND BY ALLEN & HEATH



TITLE GS3000
 VALVE PRE-AMP
 /GROUP PCB

DRG NO. 3238

ALLEN & HEATH
 HARMON INT. INDUSTRIES LTD.
 KERNICK INDUSTRIAL EST
 PERNYK
 CORNWALL
 TR10 9LU
 TEL: 01326 372070
 FAX: 01326 377097

DRN. MG

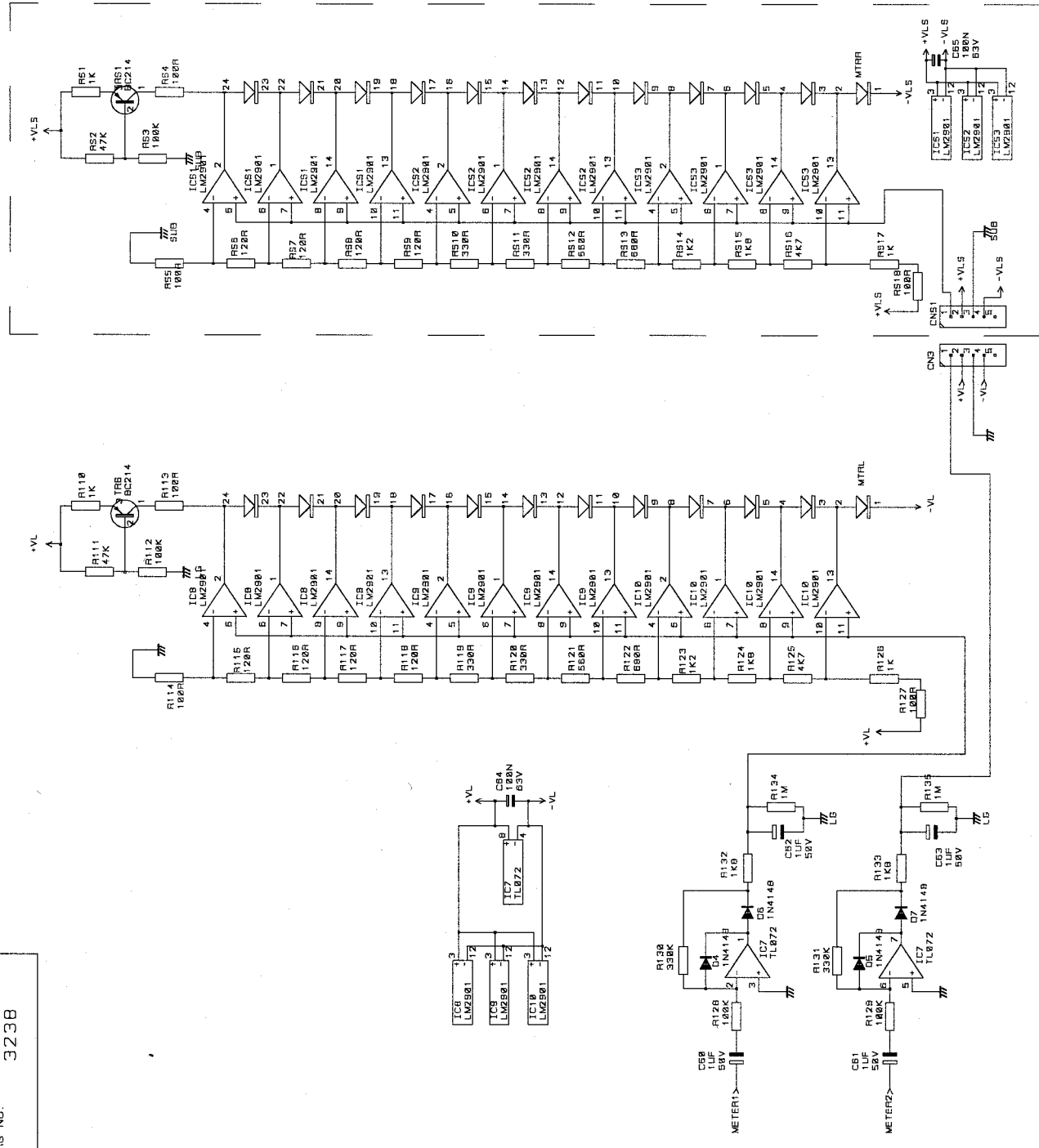
GRP 1-2 BUILD: SNIP OUT R53, R67, R69.
 GRP 3-4 BUILD: SNIP OUT R54, R66, R68.

NOTES

VR1 5K0KX2
 VR2 200K DUAL 200K
 VR3
 VR4 10KX2
 VR5 20K

ICN1
 1 MIC+
 2 MIC-
 3 LINE+
 4 LINE-
 5 HI-Z IN
 6 PATCHOUT
 7 SEND
 8 RETN
 9 SEND
 10 GRAPPOD
 11 GRPEVEN

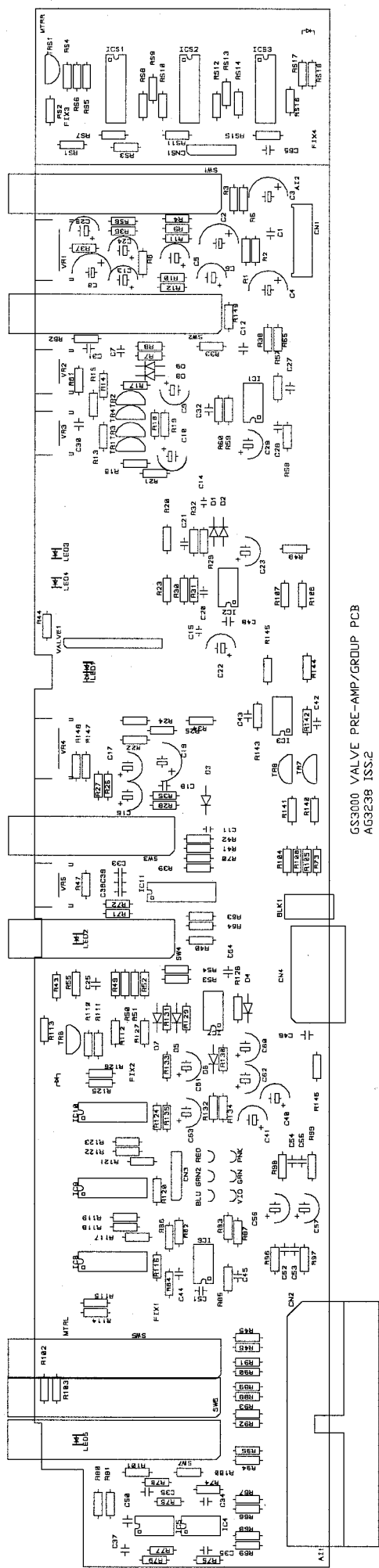
METER SUB BOARD
BREAK-OUT
FROM MAIN PCB



ALLEN & HEATH
HARMAN INTL INDUSTRIES LTD.
REYNOLDS INDUSTRIAL EST
CORNWALL
TR10 9LU
TEL: 01326 372078
FAX: 01326 377897

DRN. MG

NOTES
ALLEN & HEATH
COPYRIGHT OF THIS DRAWING
WHICH IS NOT TO BE COPIED,
REPRODUCED OR DISCLOSED, IN PART
OR IN WHOLE TO A THIRD PARTY
WITHOUT WRITTEN PERMISSION.



GS3000 VALVE PRE-AMP/GROUP PCB
AG3238 ISS.2

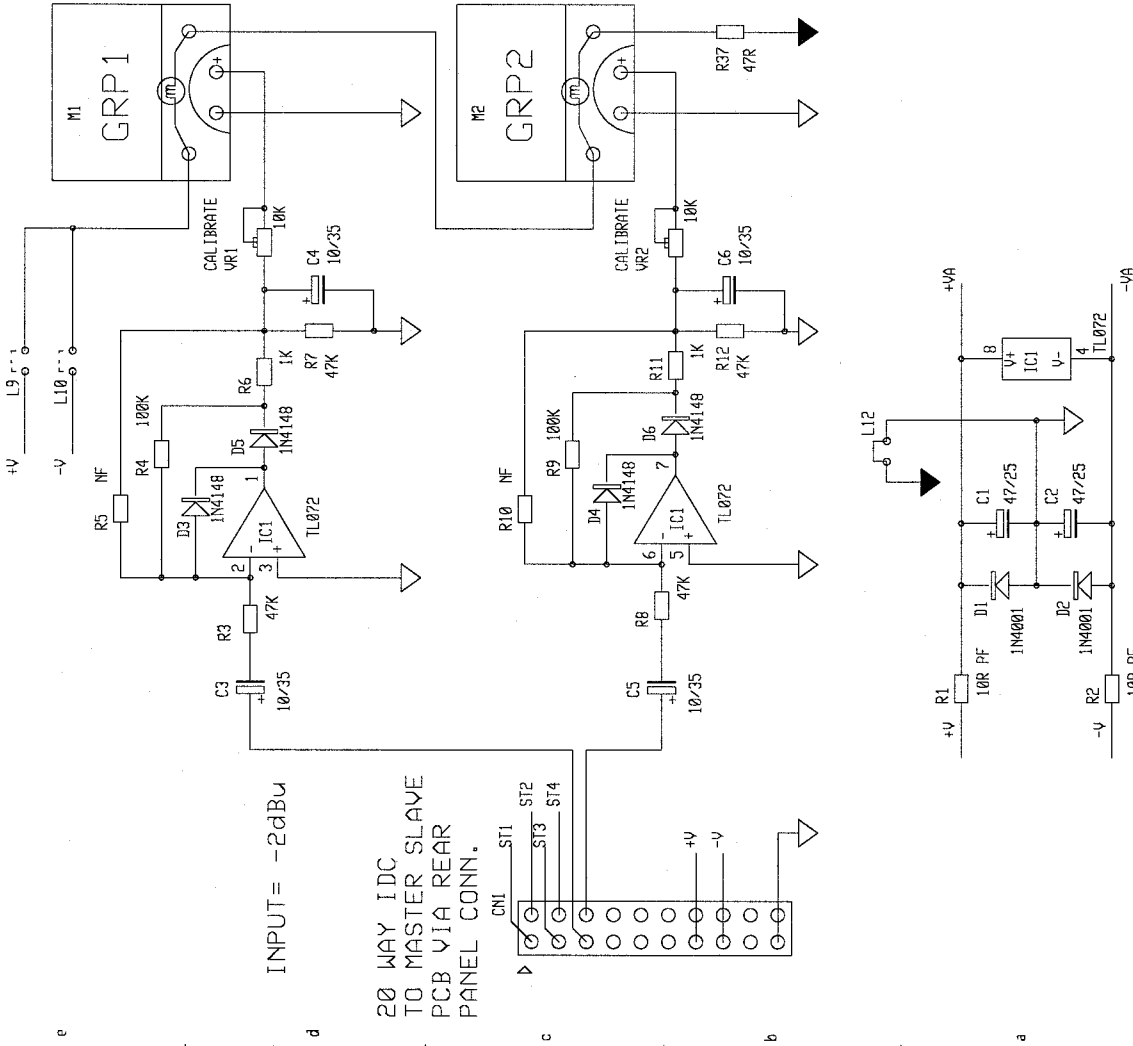
METER CALIBRATION

SET VR1-2 FOR METER READING
 0VU FOR INPUT LEVEL OF -2dBu
 ie. CONSOLE XLR OUTPUT = +4dBu

12 WAY FFC
 TO 8 CHANNEL
 METER PCB
 SK2

12 WAY FFC
 TO 10 CHANNEL
 METER PCB
 SK1

INPUT = -2dBu
 20 WAY IDC
 TO MASTER SLAVE
 PCB VIA REAR
 PANEL CONN.



MANUFACTURED IN ENGLAND BY
ALLEN & HEATH

UNIT TITLE **S3C**
 DRAWING TITLE
**CIRCUIT DIAGRAM
 VU METER PCB**
 AG3258

NOTES
 1. RESISTORS MARKED * ARE 1%
 ALL OTHERS ARE 5% 1/4W UNLESS
 OTHERWISE MARKED
 2. ELECTROLYTIC CAPACITORS ARE
 µF-VOLTS

ISS. 1
 REVISION
 ORIGIN **DRP 23-3-98**
 BY DATE

DRAWING No. **C3258** ISSUE 1
 A3

