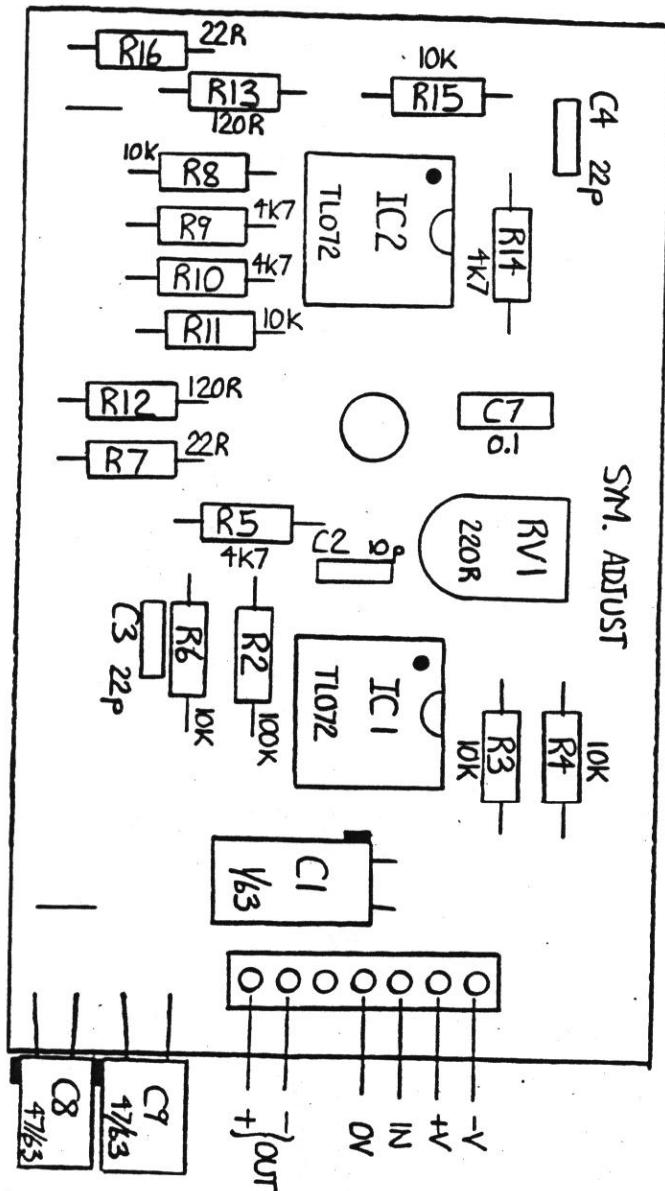
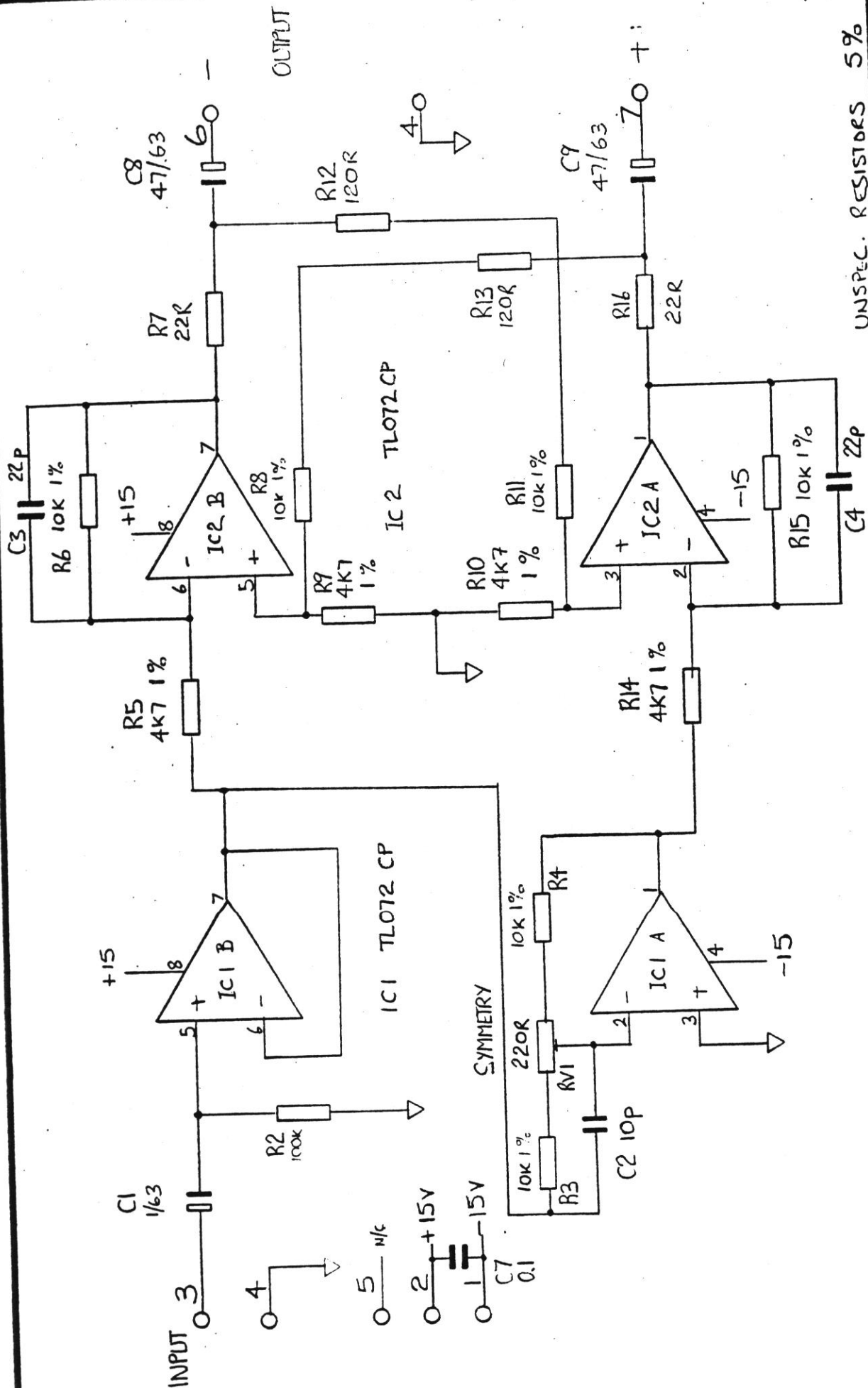


KEYMIX SCHEMATICS.

PSU - MPS9, MPS10, RPS1 SCHEMATICS PUBLISHED SEPARATELY ON DISTRIBUTOR WEBSITE



EBOS COMPONENT SIDE - KEYMIX VERSION PCB AG0117 ISSUE 2



UNSPEC. RESISTORS 5%

TITLE

ELECTRONICALLY BALANCED OUTPUT DRIVER

Allen & Heath / Brenell LTD

69 SHIP STREET BRIGHTON BN1 1AE
0273 24928

DRG. No.

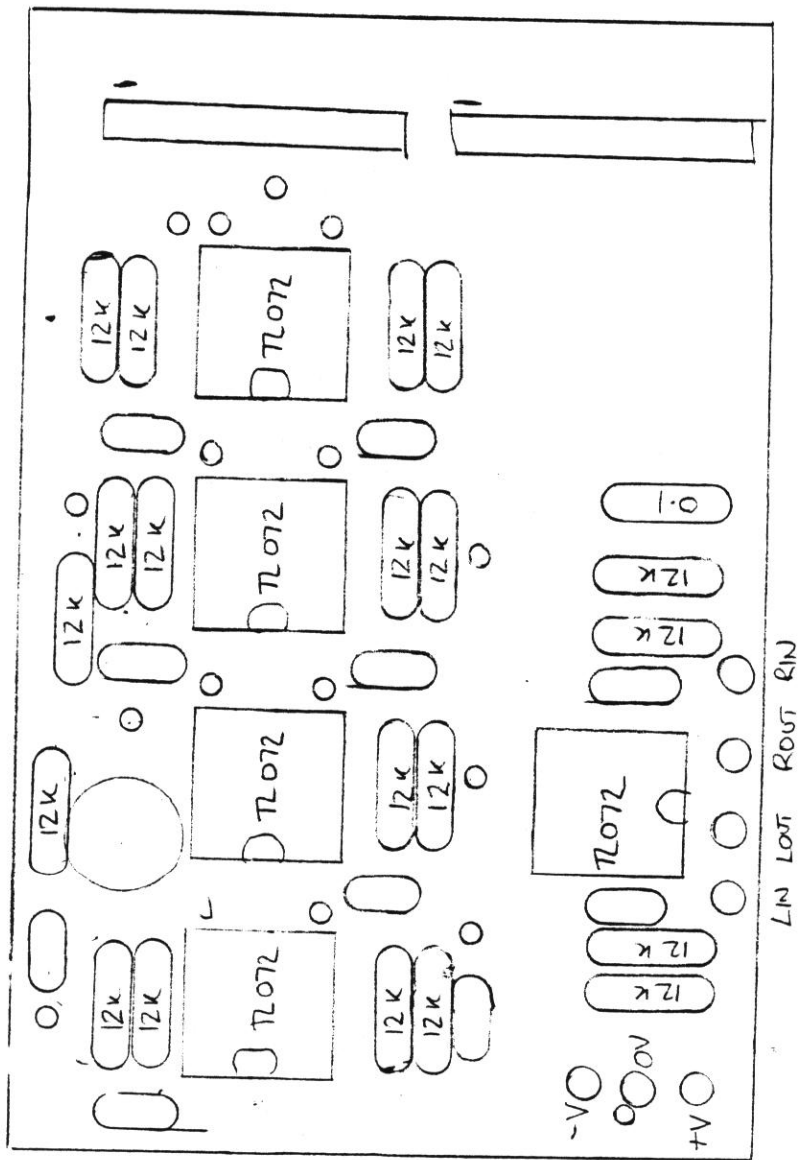
EBOS KMIX VERSION

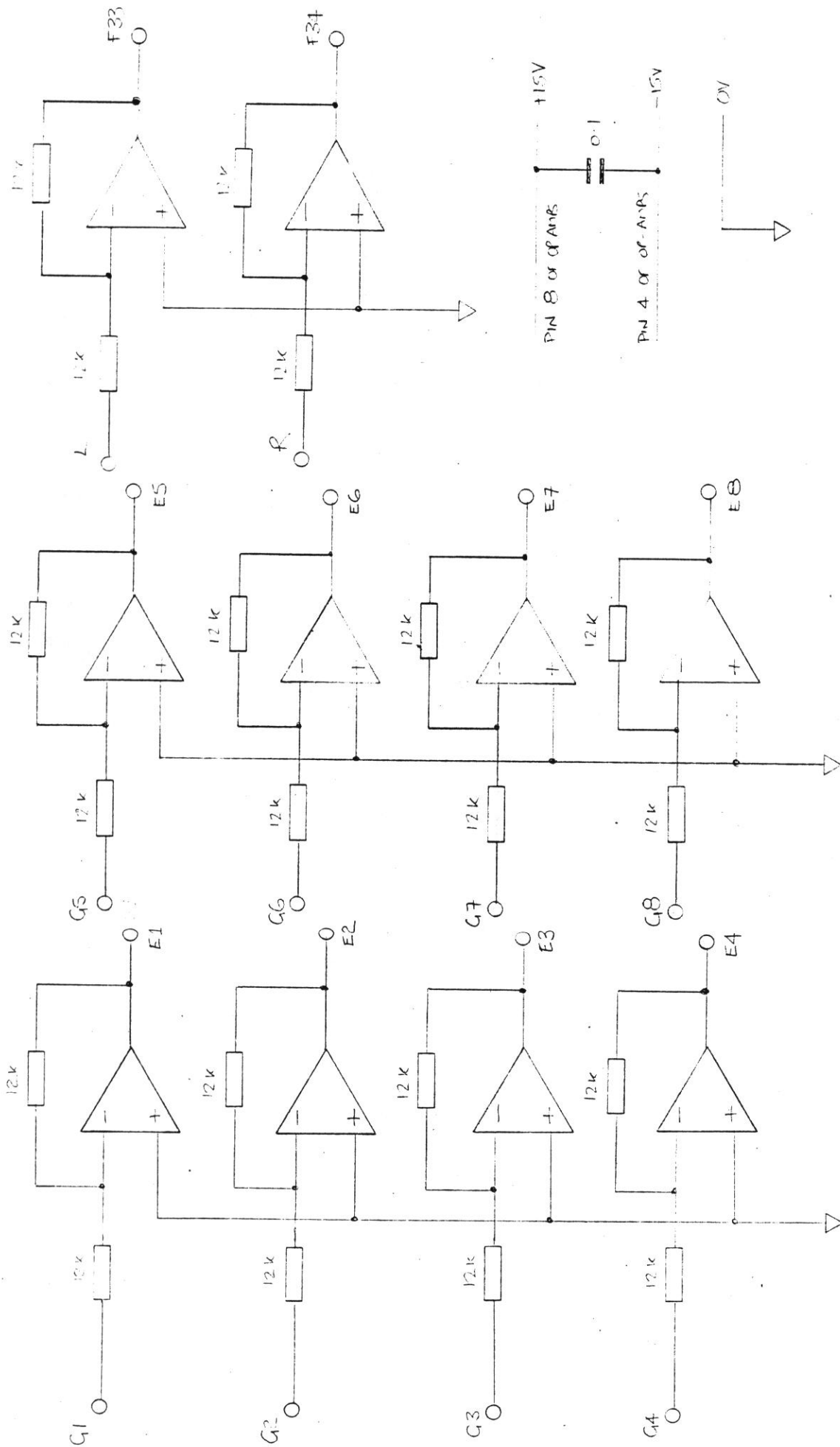
CD 30-7-86

A 123 ISS 2

AHB KE/MIX INTERFACE PCB

AG 0165





CONTRACTOR E. DE L'ASTOR BRIGHT PCB. ALL OP-AMPS TL072.

TITLE

KEYMIX SLAVE INTERFACE

ALLEN & HEATH BRENNELL LTD

PROFESSIONAL AUDIO EQUIPMENT MANUFACTURERS

DESIGN DEPT 69, SHIP STREET, BRIGHTON BN1 1AE TEL 01273 24928
FACTORY KERRICK INDUSTRIAL EST, PENNYN, CORNWALL, PL32 6JG TEL 01326 72070

FCB AG 0165

DRG.No.

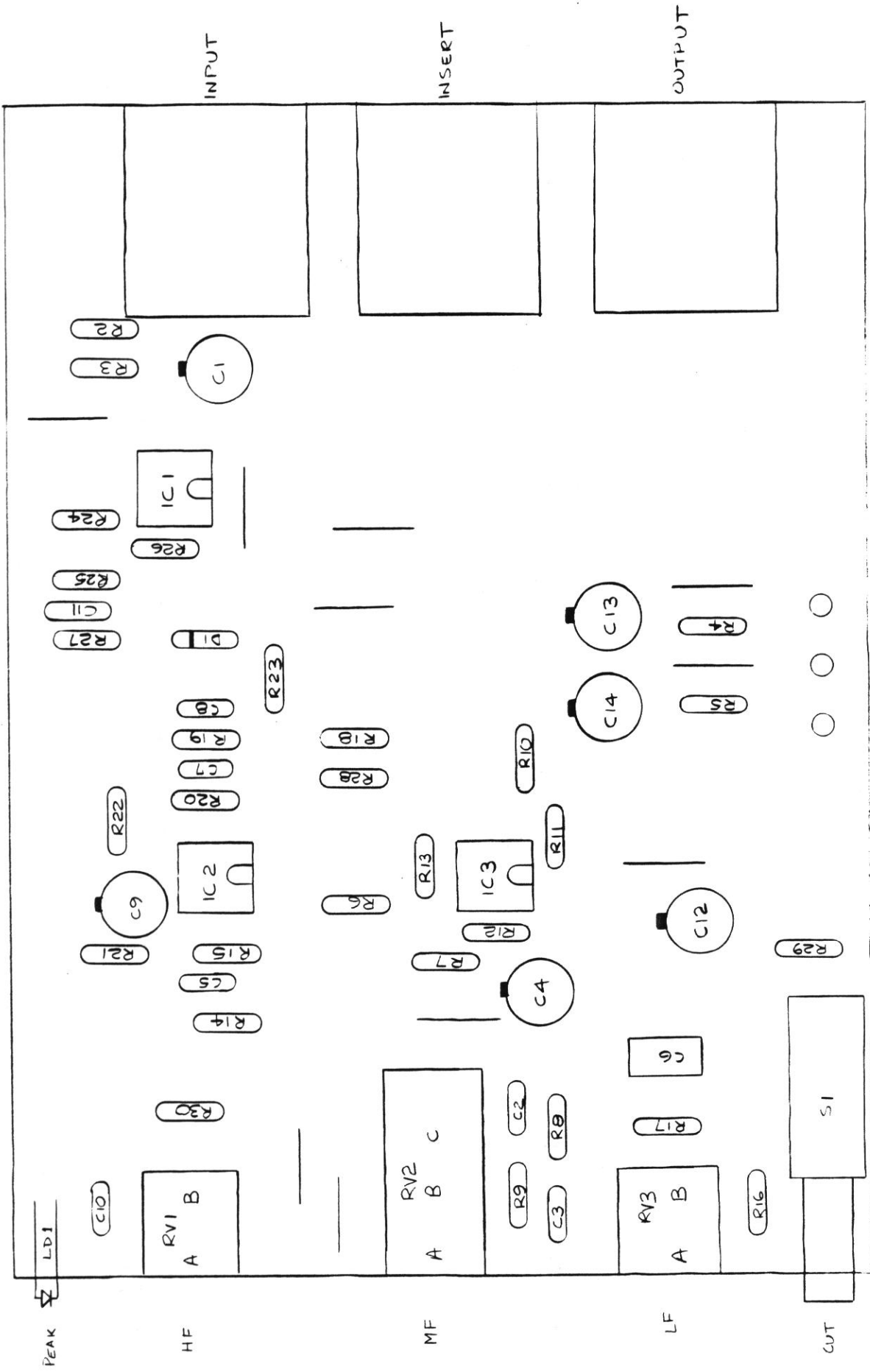
A131

ISSUE 1

G.M.R.

ISSUE

DRAWING No. A131



PEAK

LD1

HF

MF

LF

CUT

INPUT

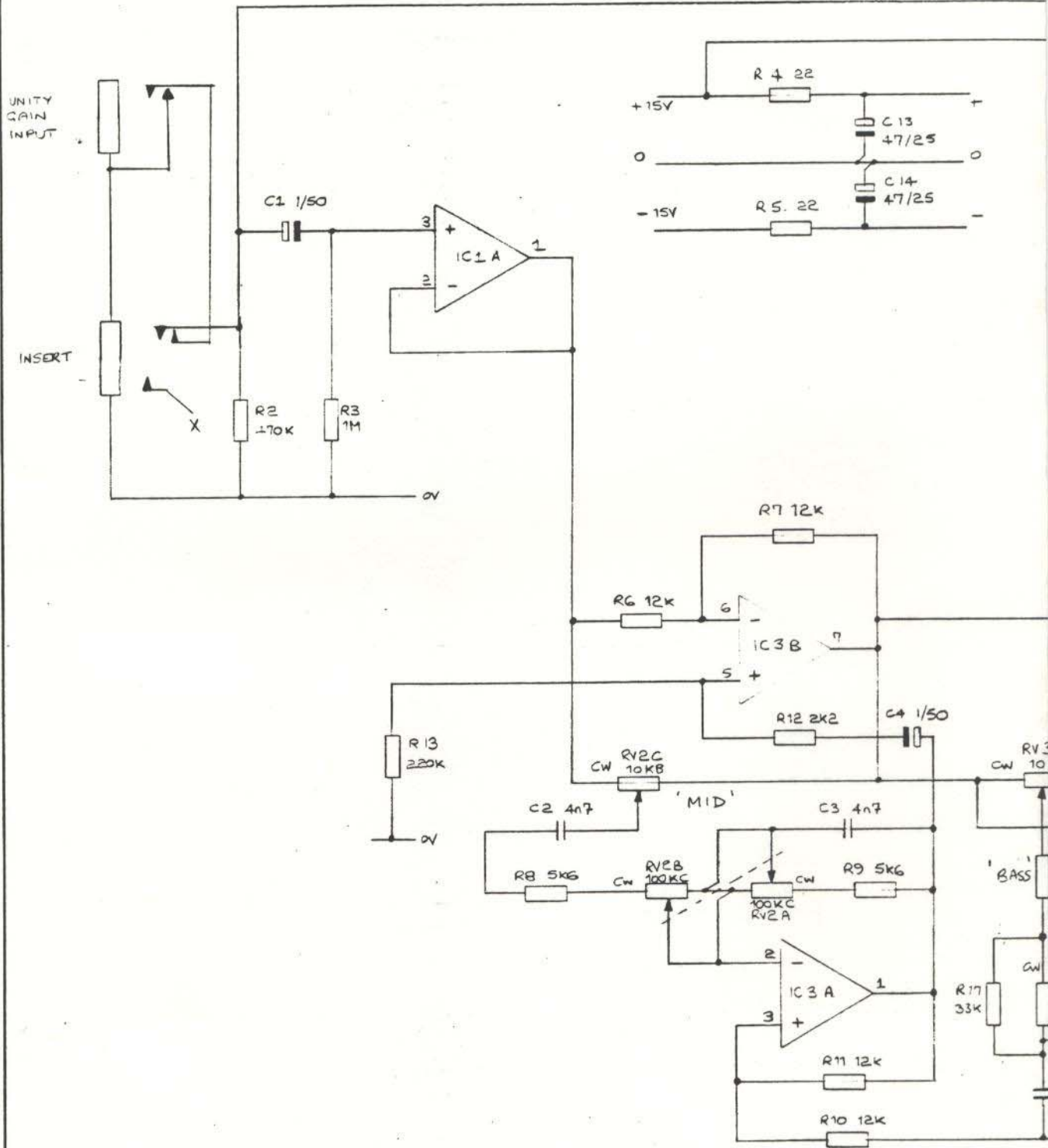
INSERT

OUTPUT

KEYMIX EQ 112
OVERLAY
SCALE 2:1

AHB
ALLEN & HEATH BRENNELL LTD.
PROFESSIONAL AUDIO EQUIPMENT
MANUFACTURERS
DESIGN DEPT. 69, SHIP STREET, BRIGHTON BN1 1AE TEL 0273 24928
FACTORY, KERNICK INDUSTRIAL EST, PENRYN, CORNWALL, TEL 03264 72070

DRAWING No. BW 134 | ISSUE 2

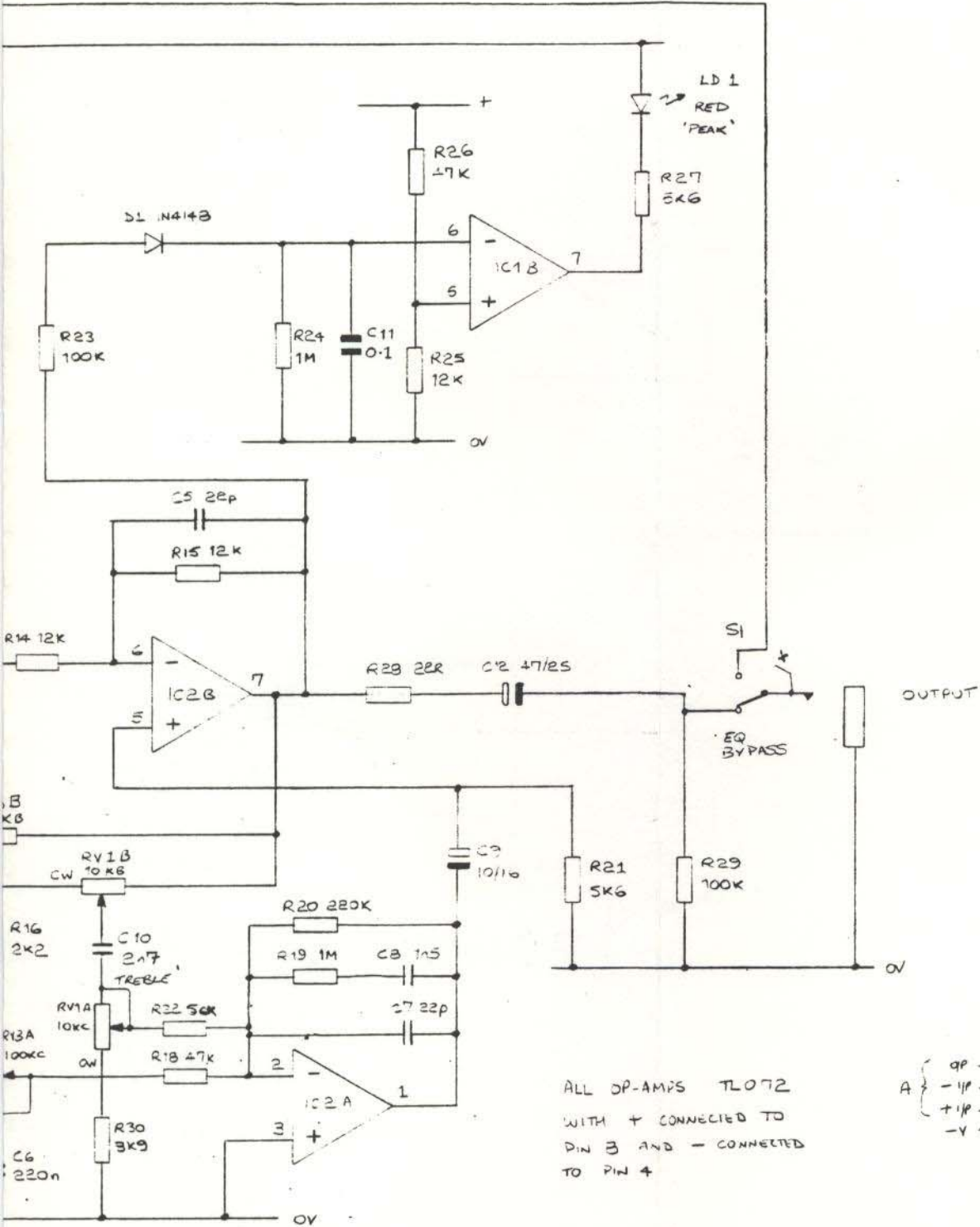


No.	DESCRIPTION	CHK'D	APP'D	DATE
ALTERATIONS				

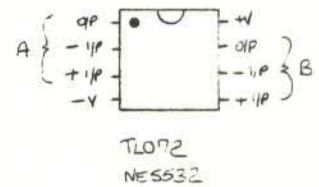
AHB KEYMIX SYSTEM
EQUALISER

PCB A9 0118 1SS 2

KM3



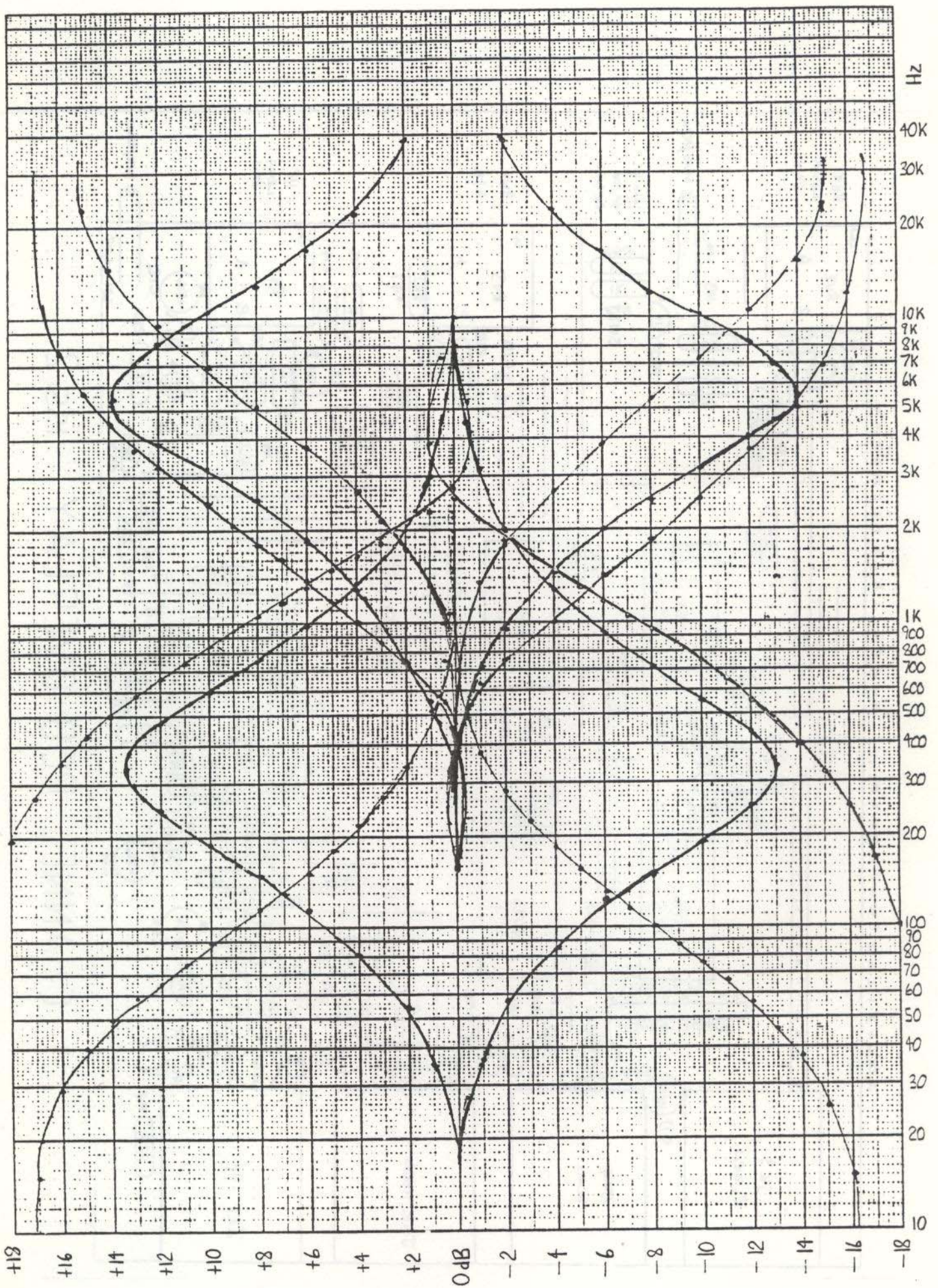
ALL OP-AMPS TLO72
WITH + CONNECTED TO
PIN 3 AND - CONNECTED
TO PIN 4



EQ OVERLAY

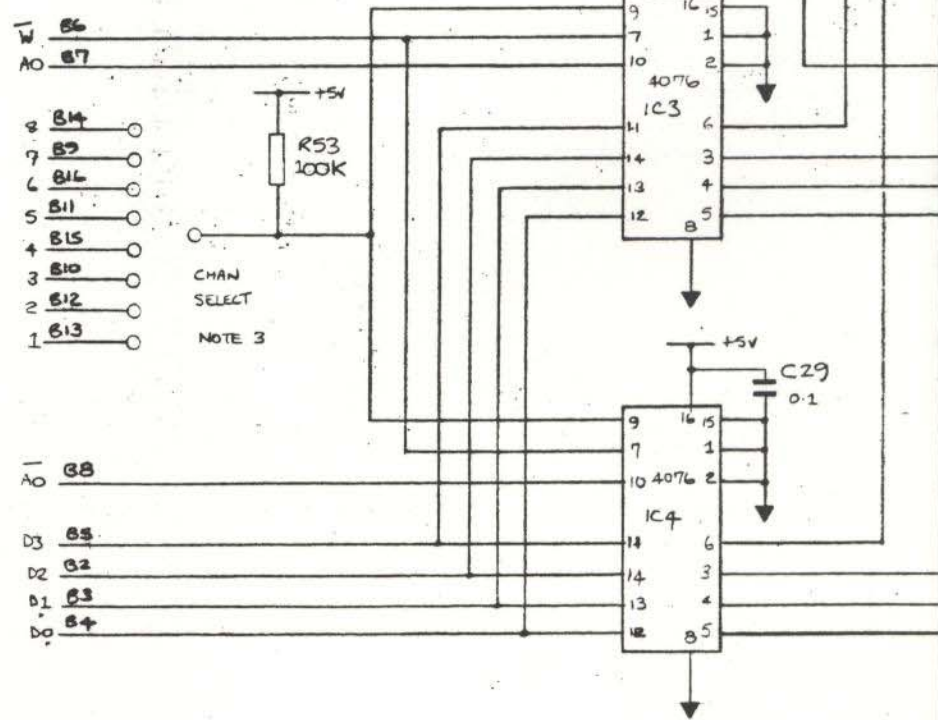
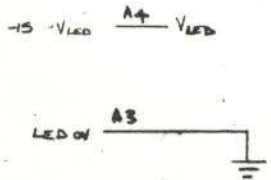
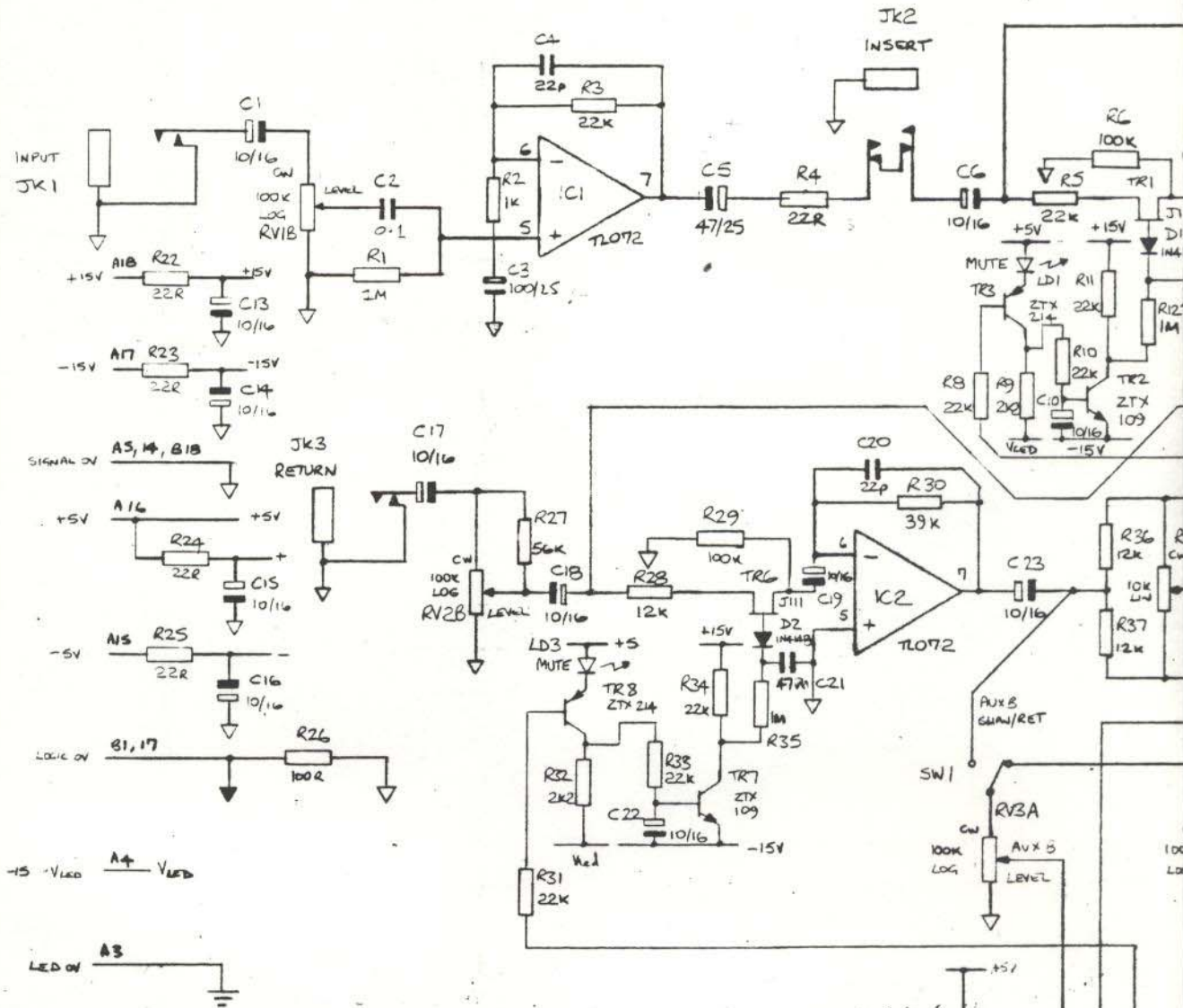
DRAWN	TRACED	CHECKED	APPROVED	DATE	SCALE
G.M.R		R		28/01/85	—

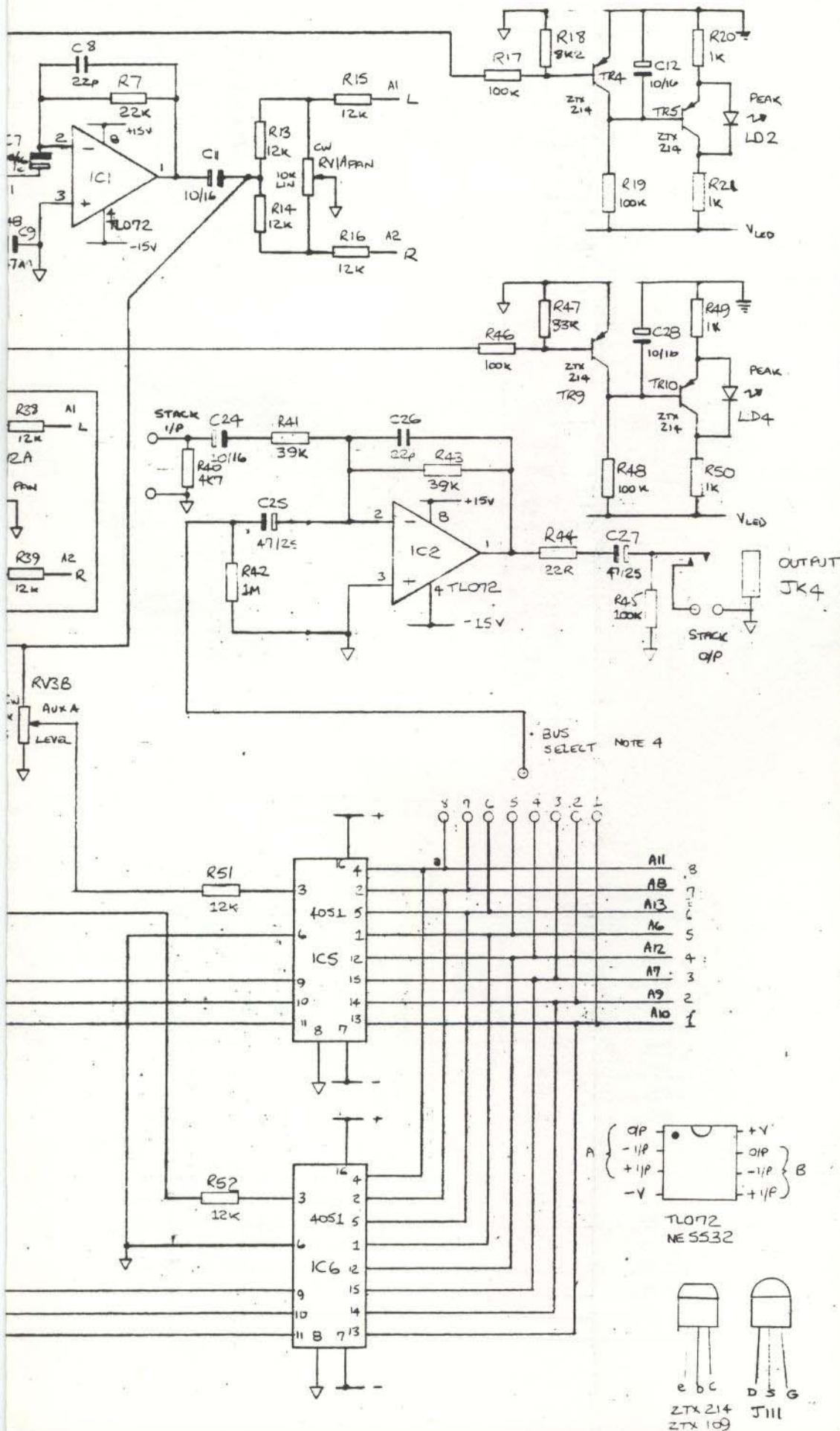
DRAWING No. M3D 137



KEYMIX

KM3 EQUALISER RESPONSE CURVES





Notes

1. No dimensions to be scaled from this drawing.
2. STACK SIGNAL FLOW IS INDICATED ON KEYMIX BLOCK DIAGRAM KM1.
3. CHANNEL SELECT LINK IS FITTED SO THAT CHANNEL 1 CONNECTS B13 TO IC3 R4 etc. CH2 B12 TO IC3 R4 etc. THIS IS THE COMPUTER CONTROL ROUTE + MUTE ADDRESS LOGIC DECADE.
4. BUSS SELECT LINK IS FITTED SO THAT CHANNEL 1 OUTPUT IS THE MIX OF THE INPUTS ROUTED TO 1, etc. THIS IS THE ANALOGUE SUMMING BUSS TERMINATION.

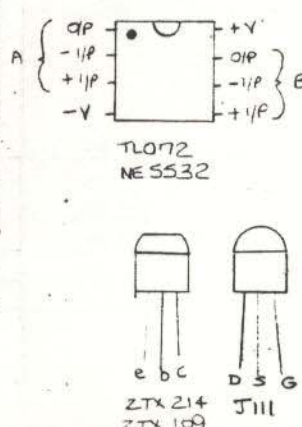
No.	Revisions	Date
2	R47 VALUE CHANGE	5/3/85
1	ORIGIN	19/5/85

Client
 AHB - JD
 63 SHIP ST
 BRIGHTON
 BN1 1AE

Project
 AHB KEYMIX

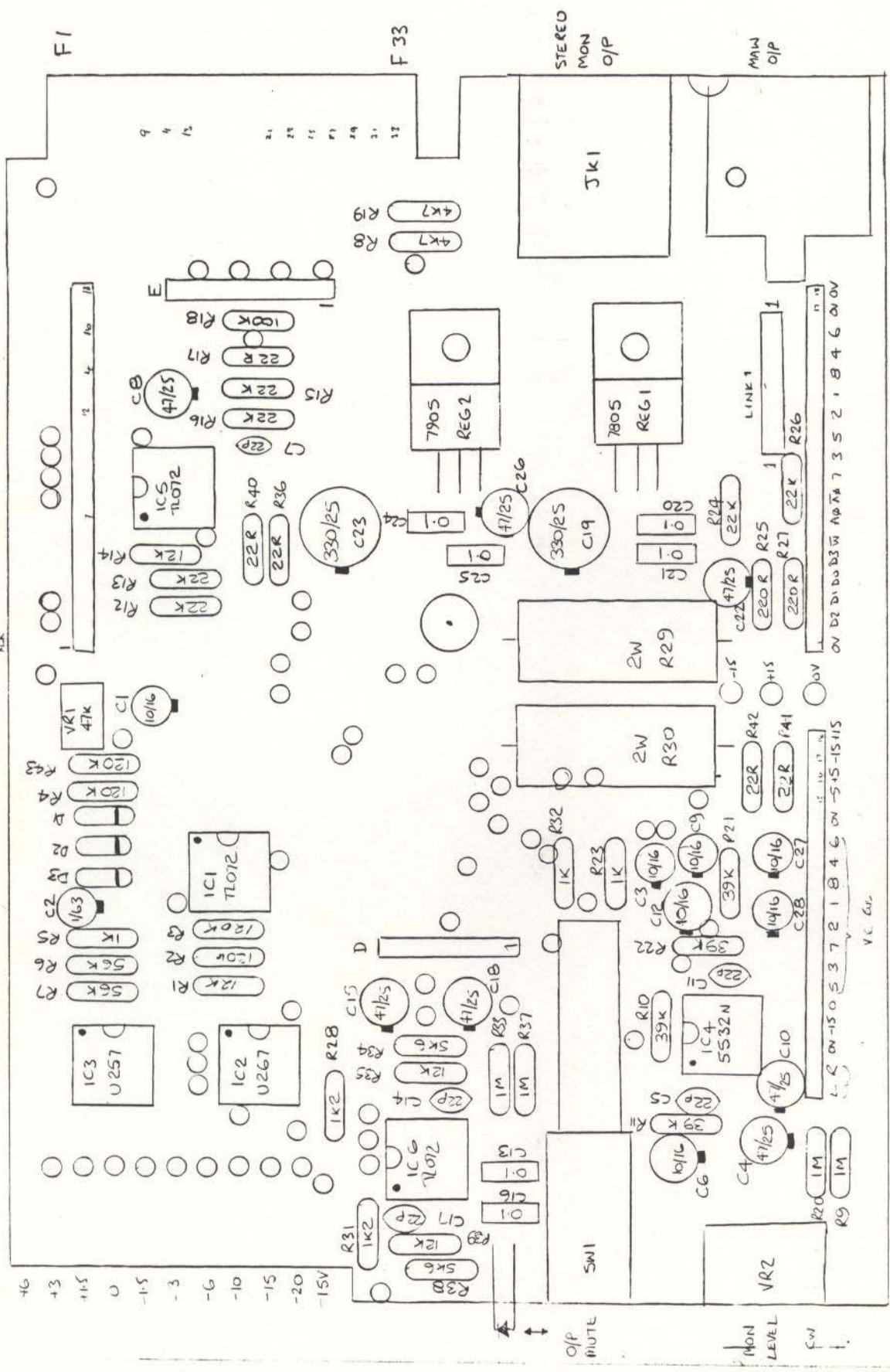
KEYMIX CHANNEL
 CIRCUIT DIAGRAM

Drawn by C.M.R.	Scale
Date 10/5/85	Checked by
Drwg. No. MBD/134	Rev. 2



C
OV ROLDED LO POMP-S-E-BZ DI TO W AO M1 A2 A3 A4 A5

Back side

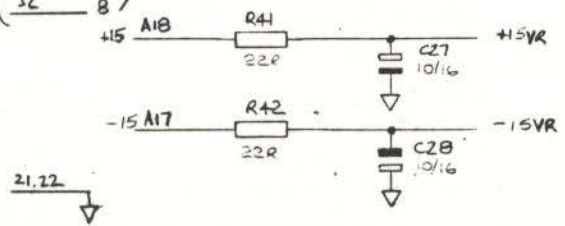
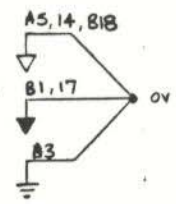
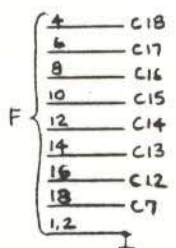
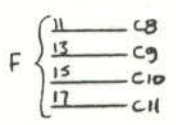
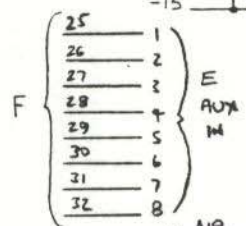
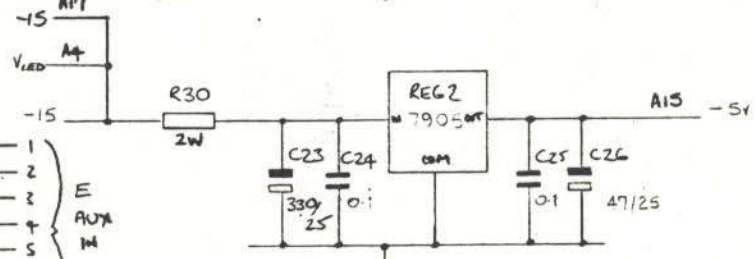
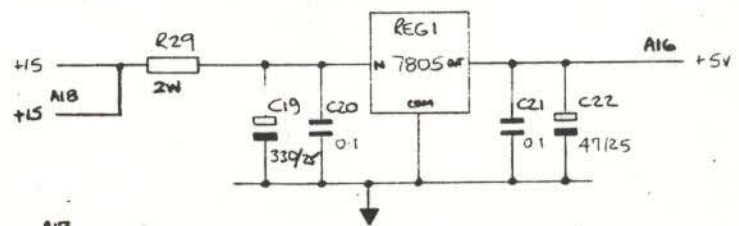
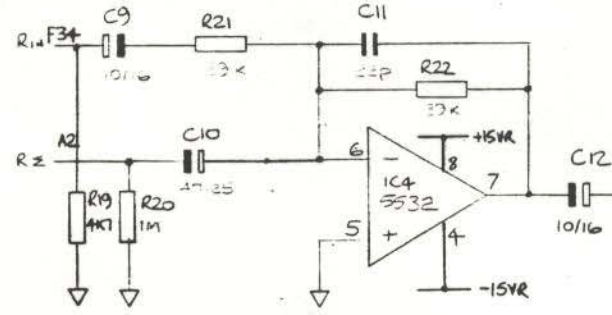
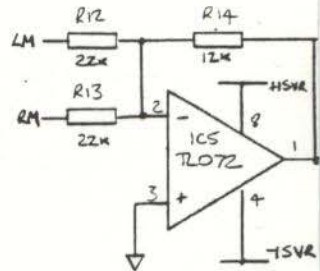
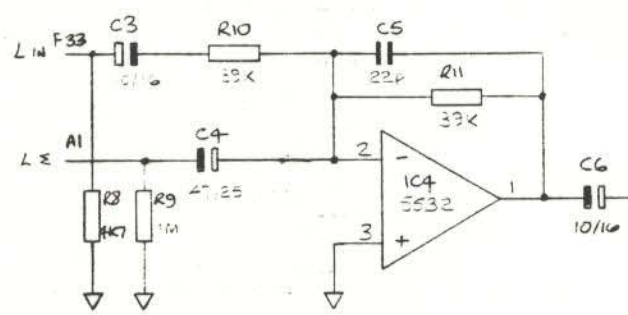
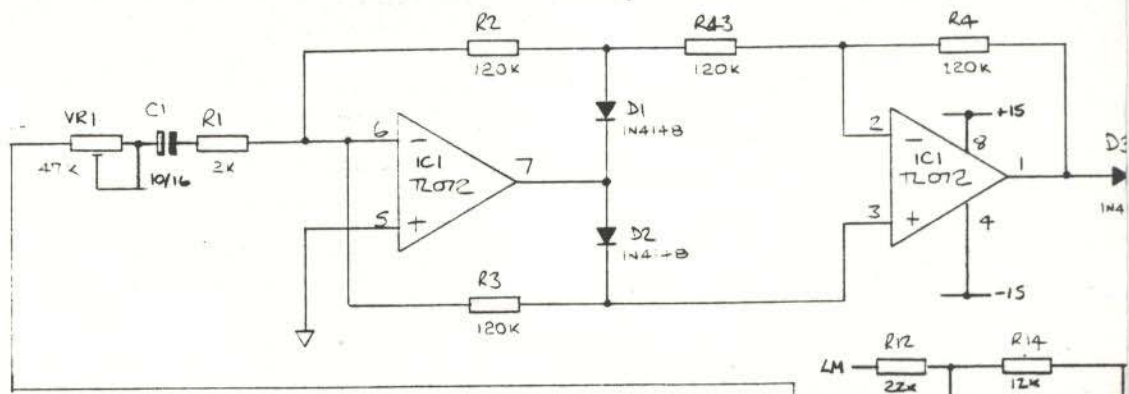


LOGIC B

ANALOGUE A

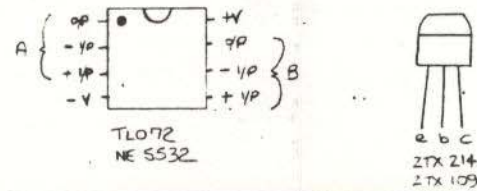
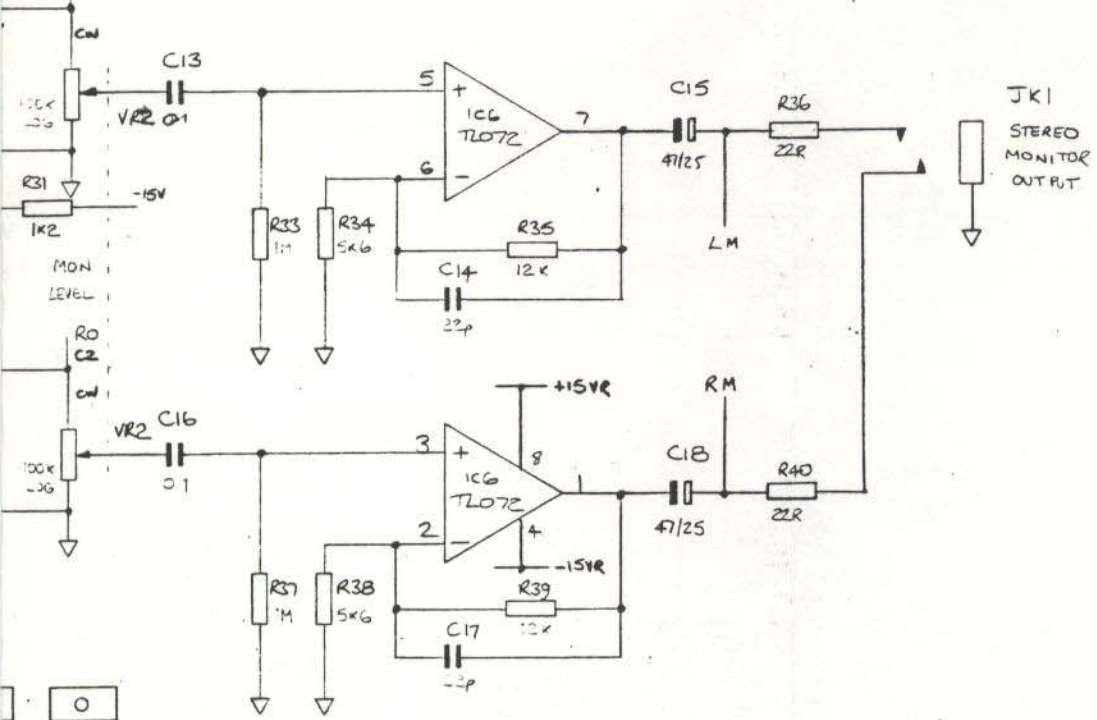
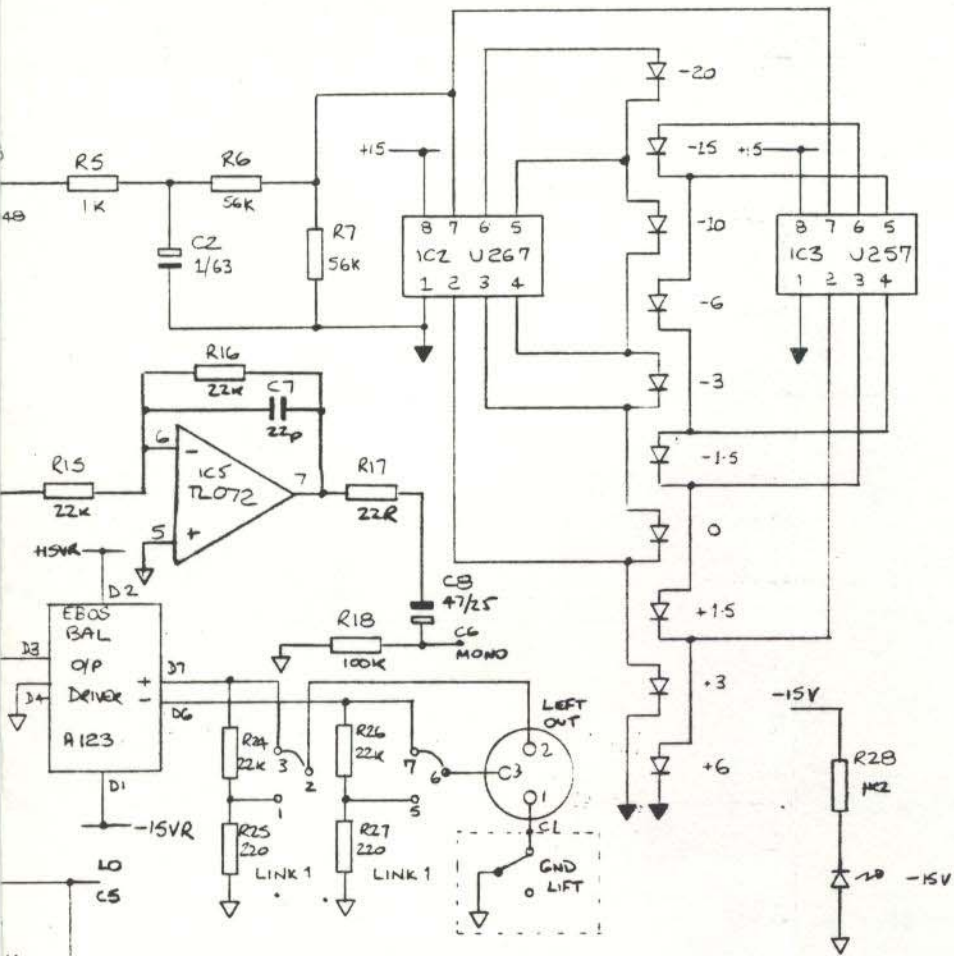
SW 130

MASTER LEFT PCB



Notes:

1. No dimensions to be scaled from this drawing.
2. LINK 1 7 WAY CONNECTOR SUPPLIED FITTED FOR HIGH OUTPUT LEVEL. REVERSE 180° FOR LOW OUTPUT LEVEL.



1	ORIGIN	15.5/85
No.	Revisions	Date

Client
 AHB
 69 SHIP STREET
 BRIGHTON
 BN1 1AE

Project
 AHB KEYMIX

KEYMIX MASTER LEFT
 CIRCUIT DIAGRAM

Drawn by G.M.R.	Scale —
Date 15/5/85	Checked by —
Org. No. MBD / 136	Rev. 1

track side

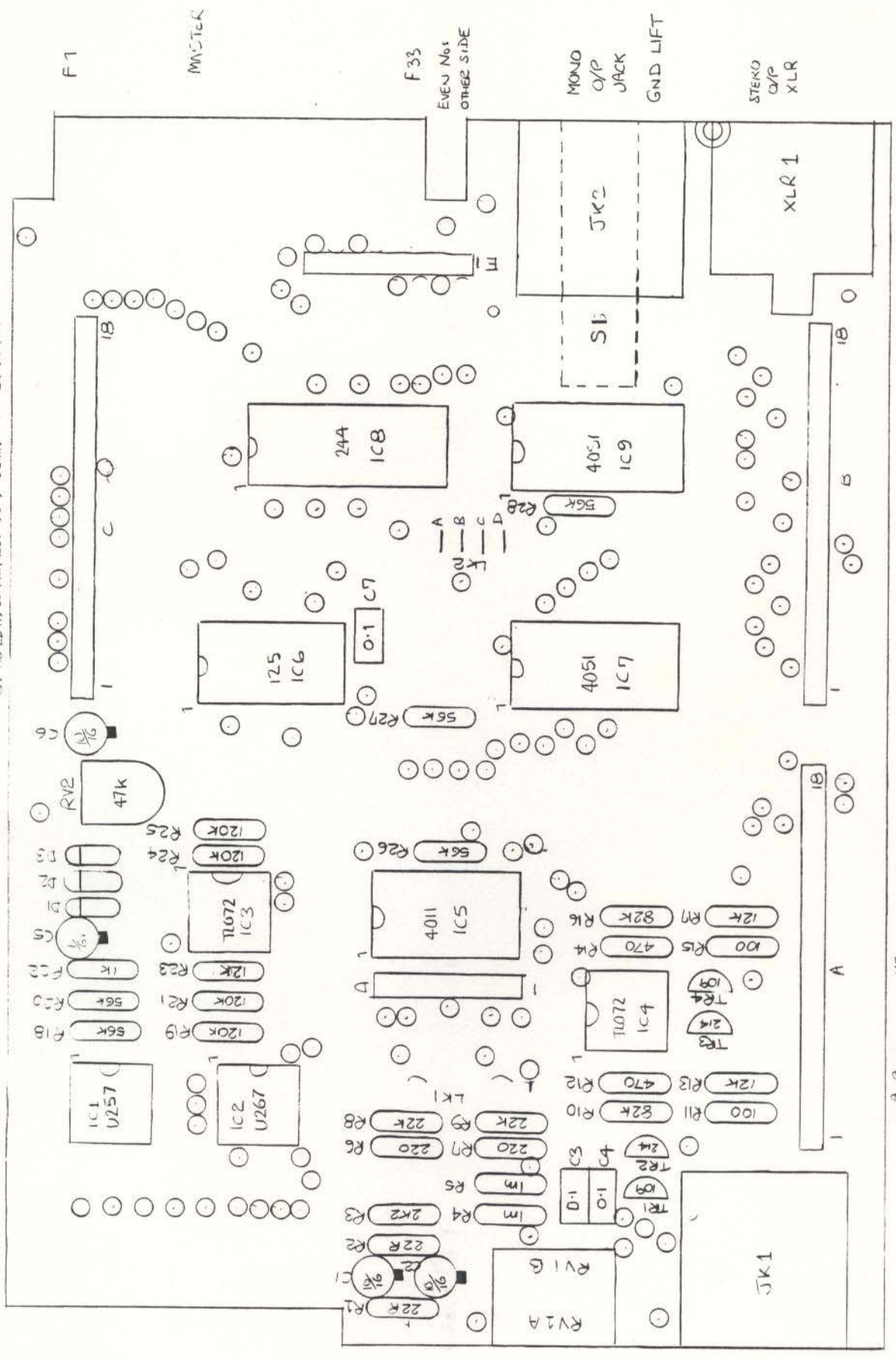
- +6
- +3
- +1.5
- 0
- 1.5
- 3
- 6
- 10
- 15
- 20

POWER +15

11/P LEVEL

11/P JACK

C
 X-K
 U7 RO LU KP LO MM XLV: DZ D1 D0 D3 W AD A7 7 3 5 2 1 8 4 6 0V 0V



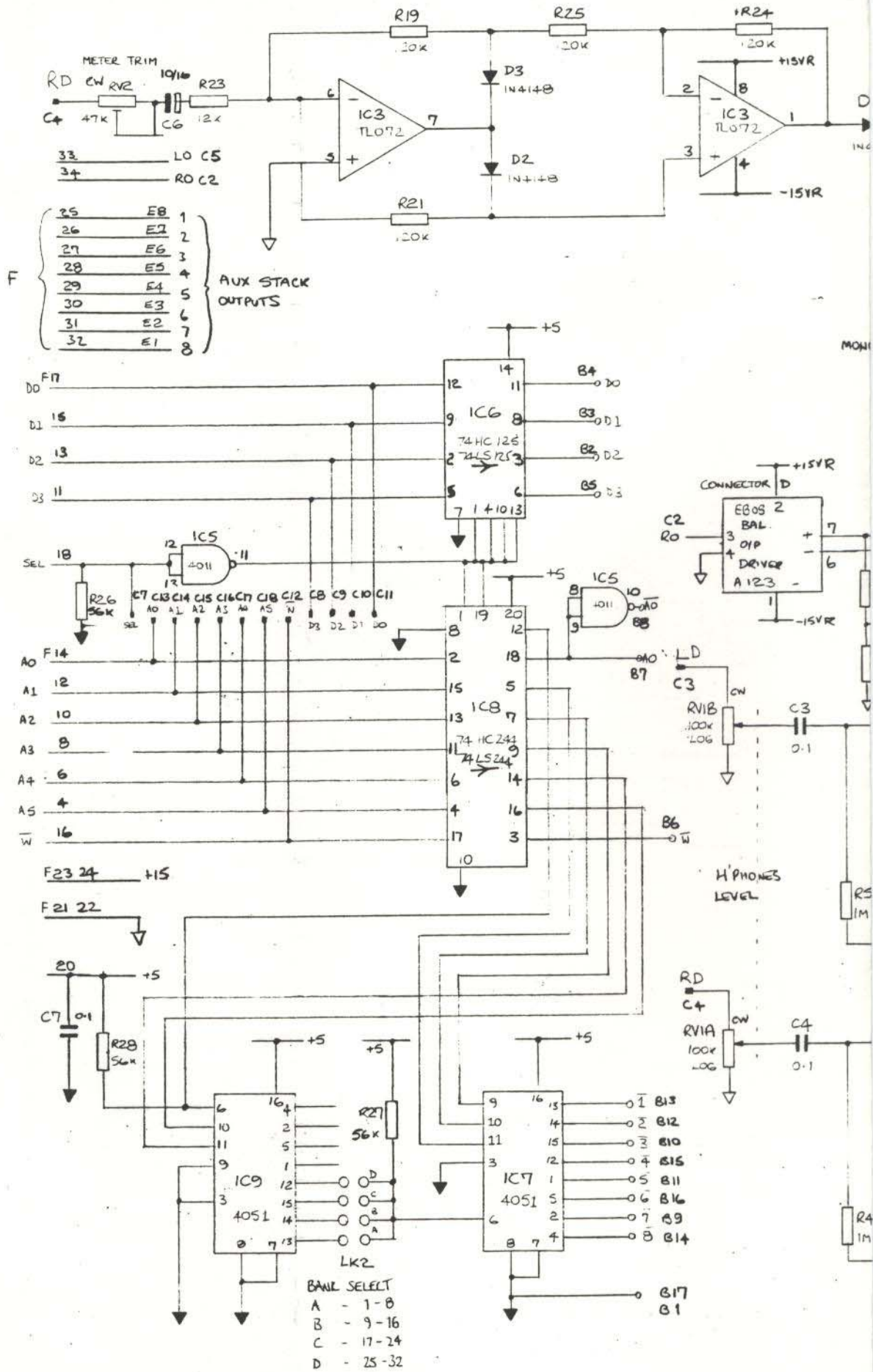
VE.
 L/R OV -15 OV 5 3 7 2 1 8 4 6 OV -5 +5 -15 +15

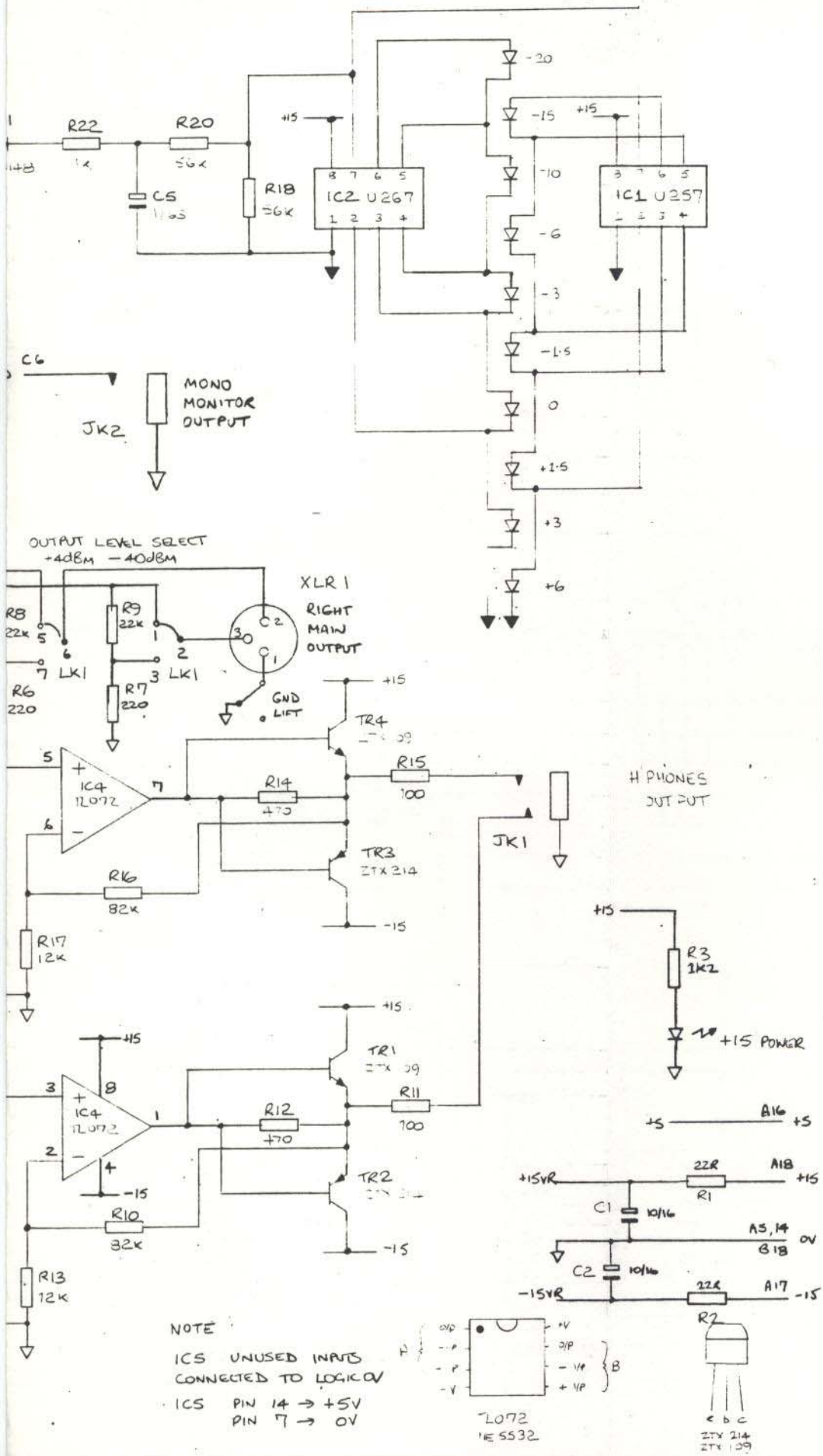
MASTER RIGHT PCB A

LOGIC B

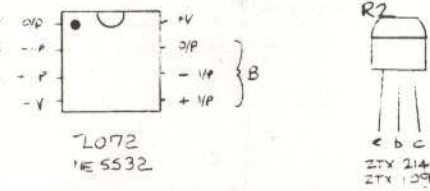
OV D2 D1 D0 D3 W AD A7 7 3 5 2 1 8 4 6 0V 0V

139 Pins





NOTE
 IC5 UNUSED INPUTS
 CONNECTED TO LOGIC 0V
 IC5 PIN 14 → +5V
 PIN 7 → 0V



- Notes
1. No dimensions to be scaled from this drawing.
 2. LINK 1 7 WAY CONNECTOR SUPPLIED FITTED FOR HIGH OUTPUT LEVEL. REVERSE 180° FOR LOW OUTPUT LEVEL.
 3. LINK 2 JUMPER DETERMINES THE BANK ADDRESS IDENTITY OF MASTER AND SLAVE UNITS FOR PURPOSES OF COMPUTER ROUTE AND MUTE CONTROL. LINK 2 IS FITTED AT MANUFACTURE IN POSITION 'A' ON MASTER KMT, AND B ON SLAVE KMT UNITS WHICH THEN RESPOND TO LOGIC ADDRESSES BANK 1-3. MOVE LINK 2 TO ADDRESS UNITS IN BANKS 7-16, 17-24 OR 25-32.

No.	ORIGIN	Date
		15/5/85

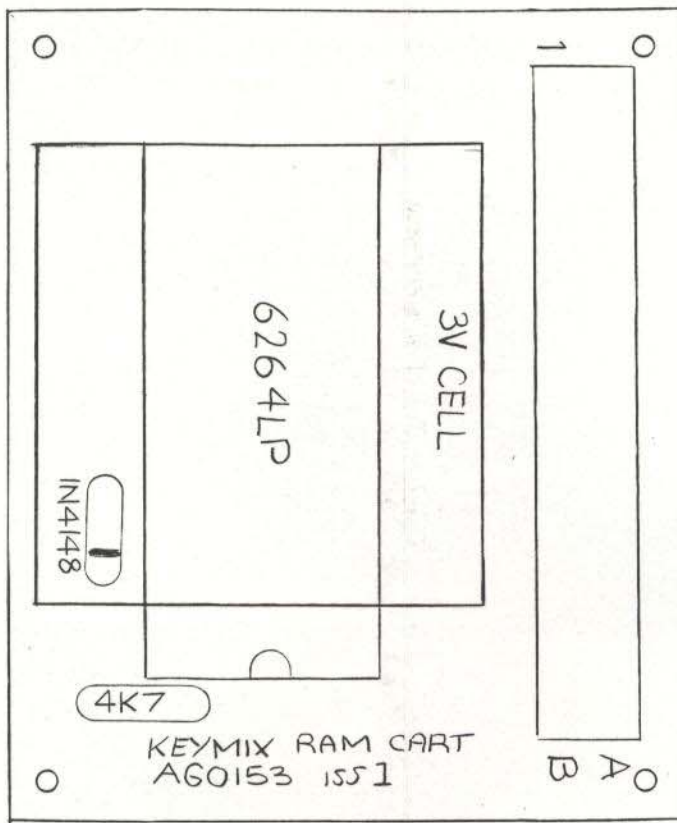
Client
 AHB
 69 SHIP STREET
 BRIGHTON
 BN1 1AE

Project
 AHB, KEYMIX

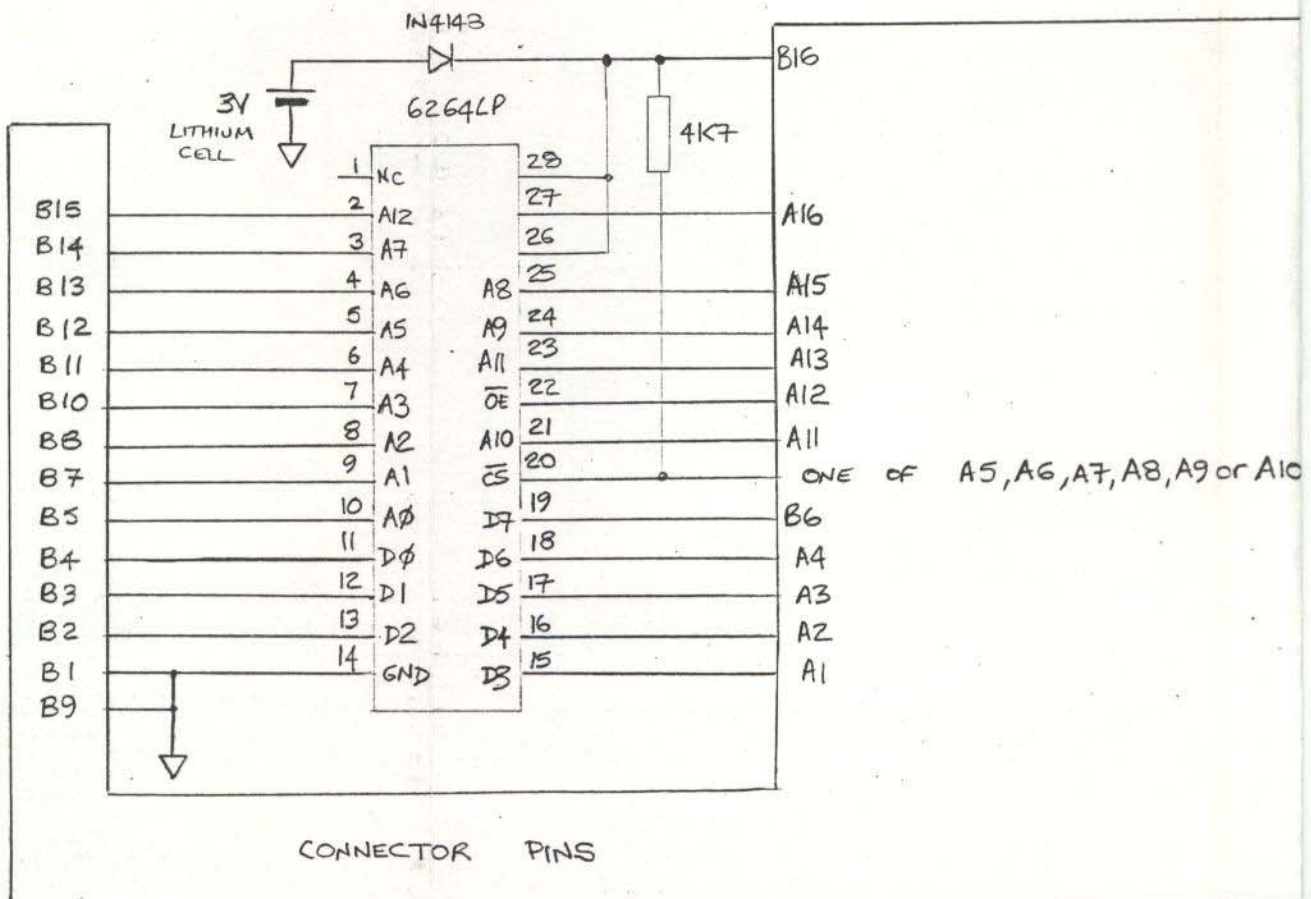
KEYMIX MASTER RIGHT
 CIRCUIT DIAGRAM

Drawn by G.M.R	Scale
Date 15/5/85	Checked by
Org. No. MBD / 135	Rev. 1

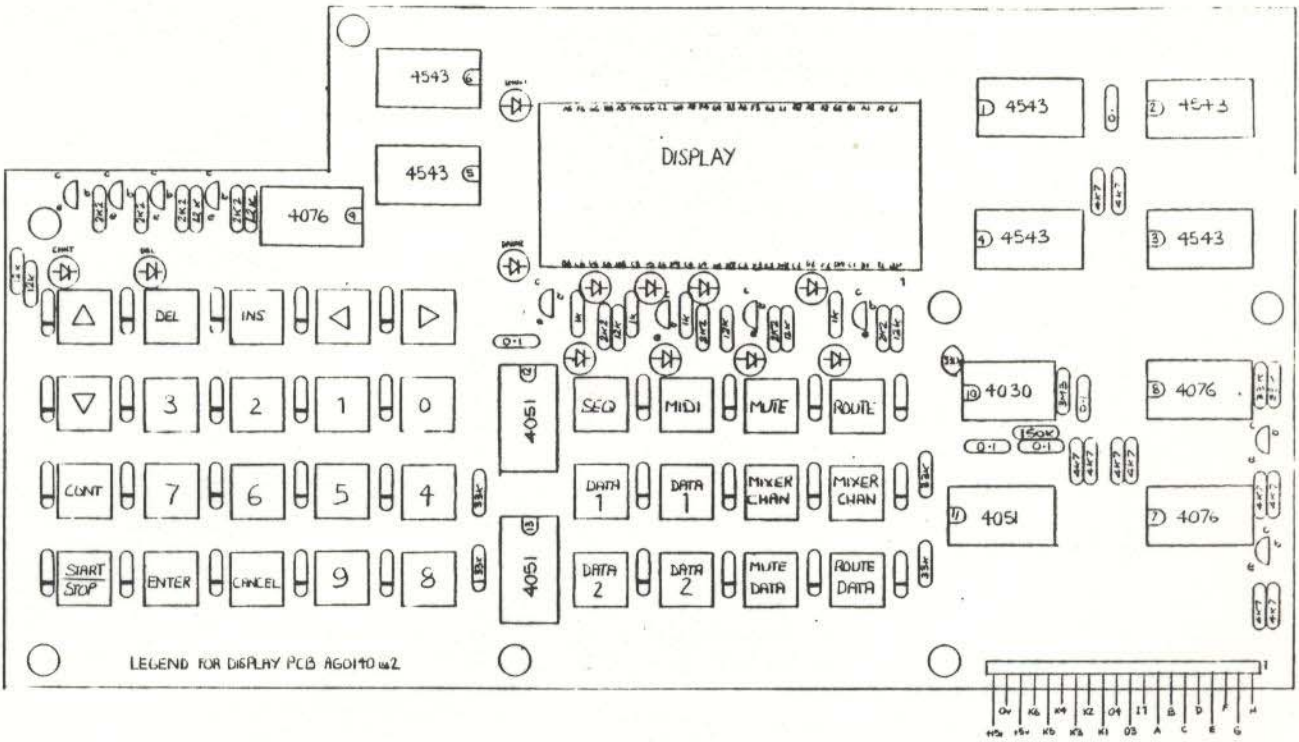
KMM CARTRIDGE



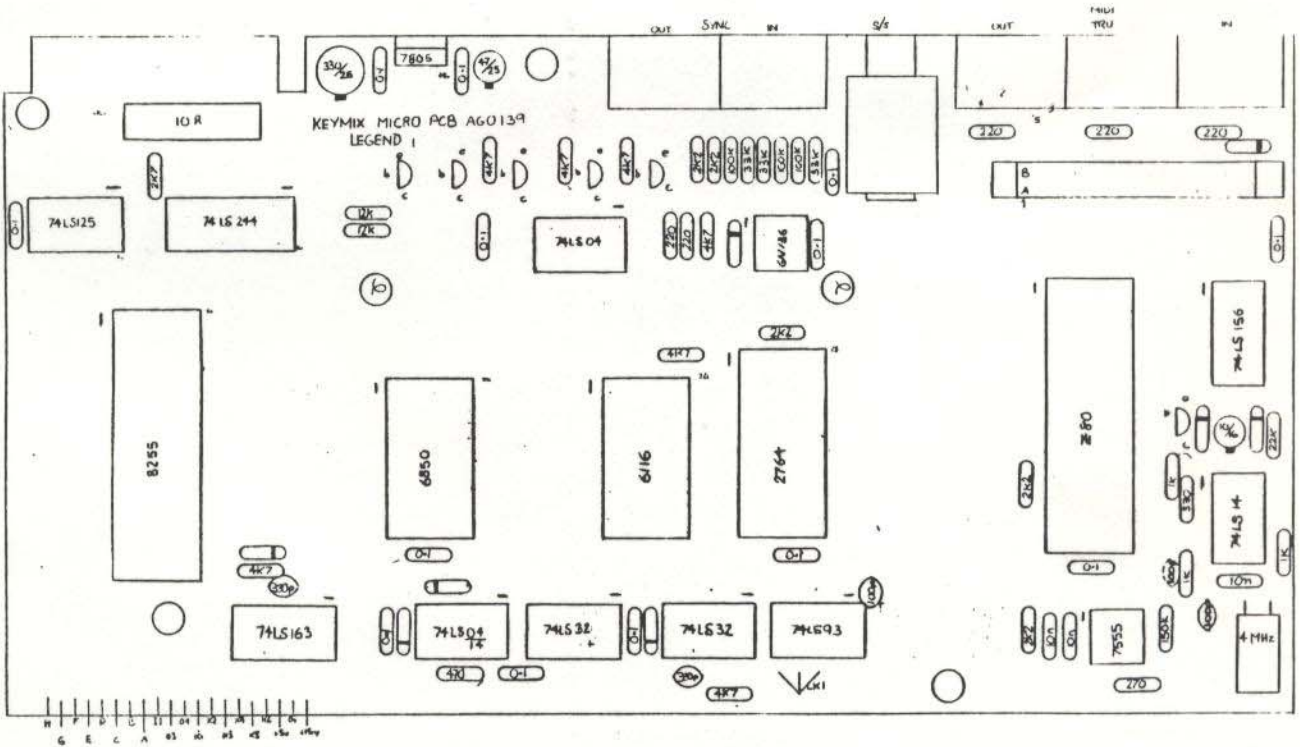
KMM CCT

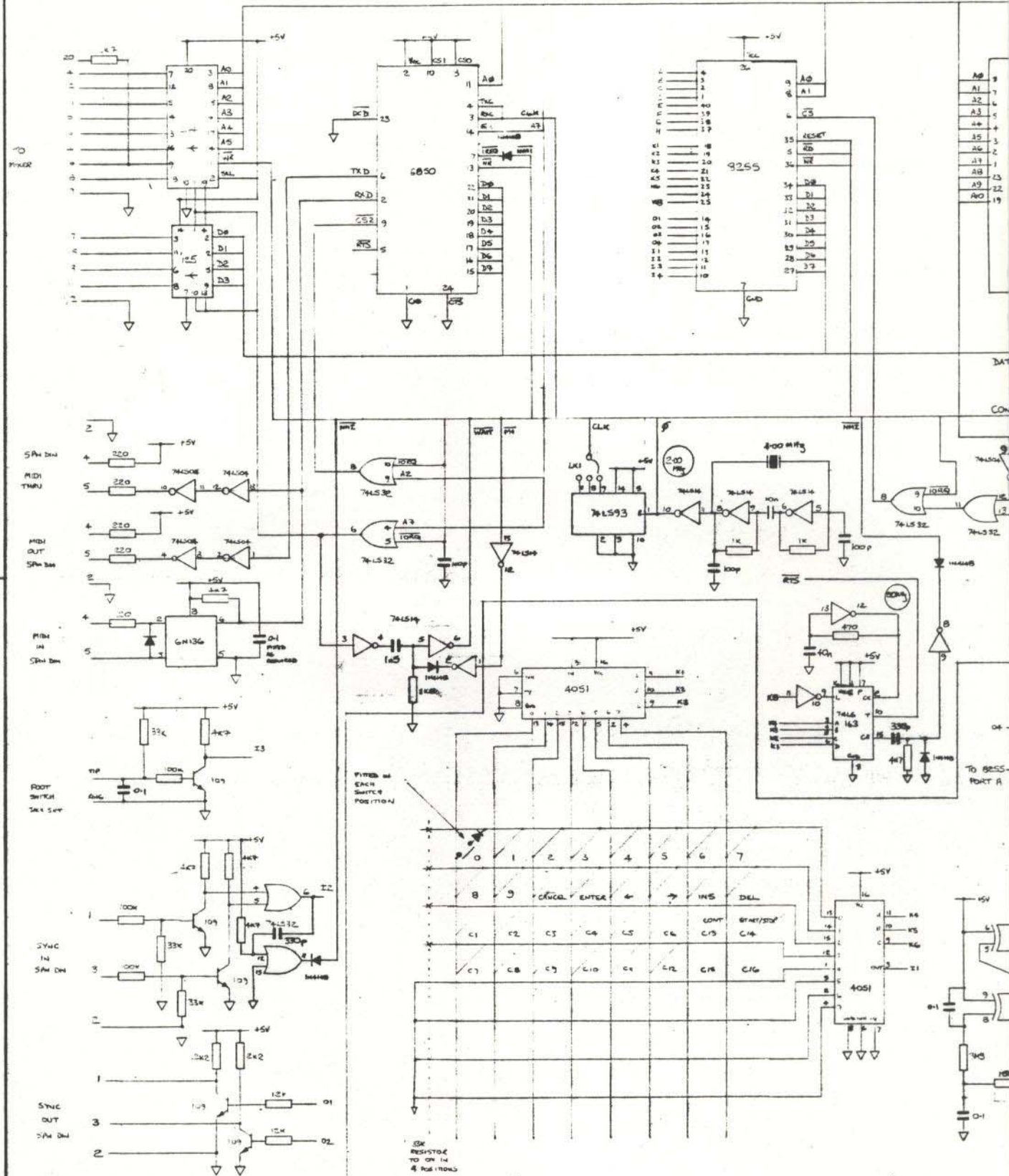


DISPLAY PCB



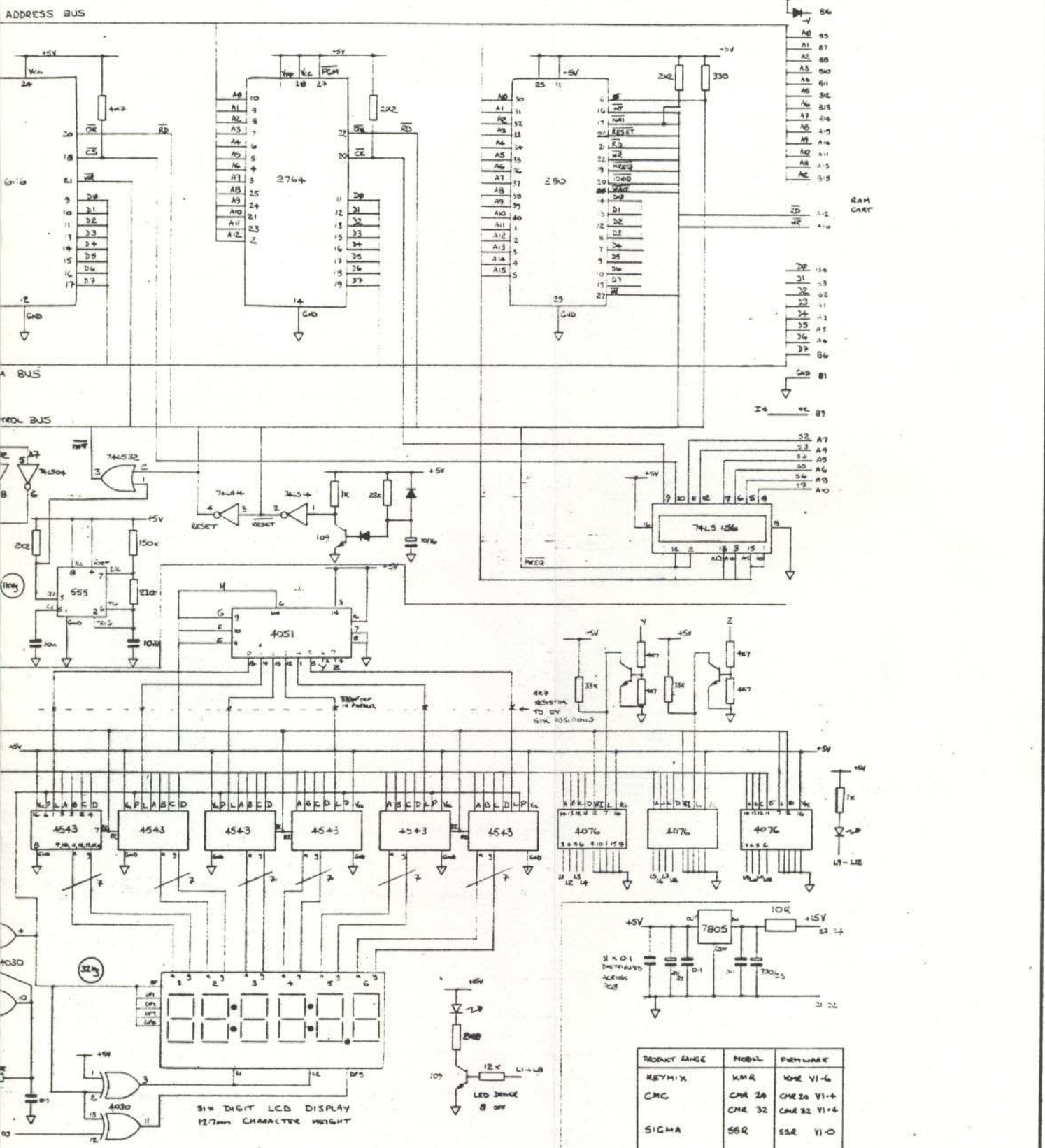
MICRO PCB





STANDARD NOTES				MATERIAL		TOLERANCES	
ALL DIMENSIONS IN MM						GENERAL ±0,25 mm	
DO NOT SCALE DRAWING						HOLE CENTRES ±0,15 mm	
THIRD ANGLE PROJECTION						HOLE SIZES ±0,10 mm	
REMOVE ALL BURRS & SHARP EDGES							
SCALE							
UNLESS STATED OTHERWISE							

DATE	CHECKED	REVISION	DATE	CHECKED
28/1/85				
7/1/85				
10/1/85				



PRODUCT RANGE	MODEL	FIRMWARE
KEYMIX	KMR	KMR V1-6
CMC	CMR 2A	CMR 2A V1-4
	CMR 32	CMR 32 V1-4
SIGMA	SSR	SSR V1-0

FINISH

NOTES

UNIT TITLE
 Kmix REMOTE CIRCUIT

DRAWING TITLE

AHB ALLEN & HEATH BIRMINGHAM LTD
 PROFESSIONAL AUDIO EQUIPMENT MANUFACTURERS

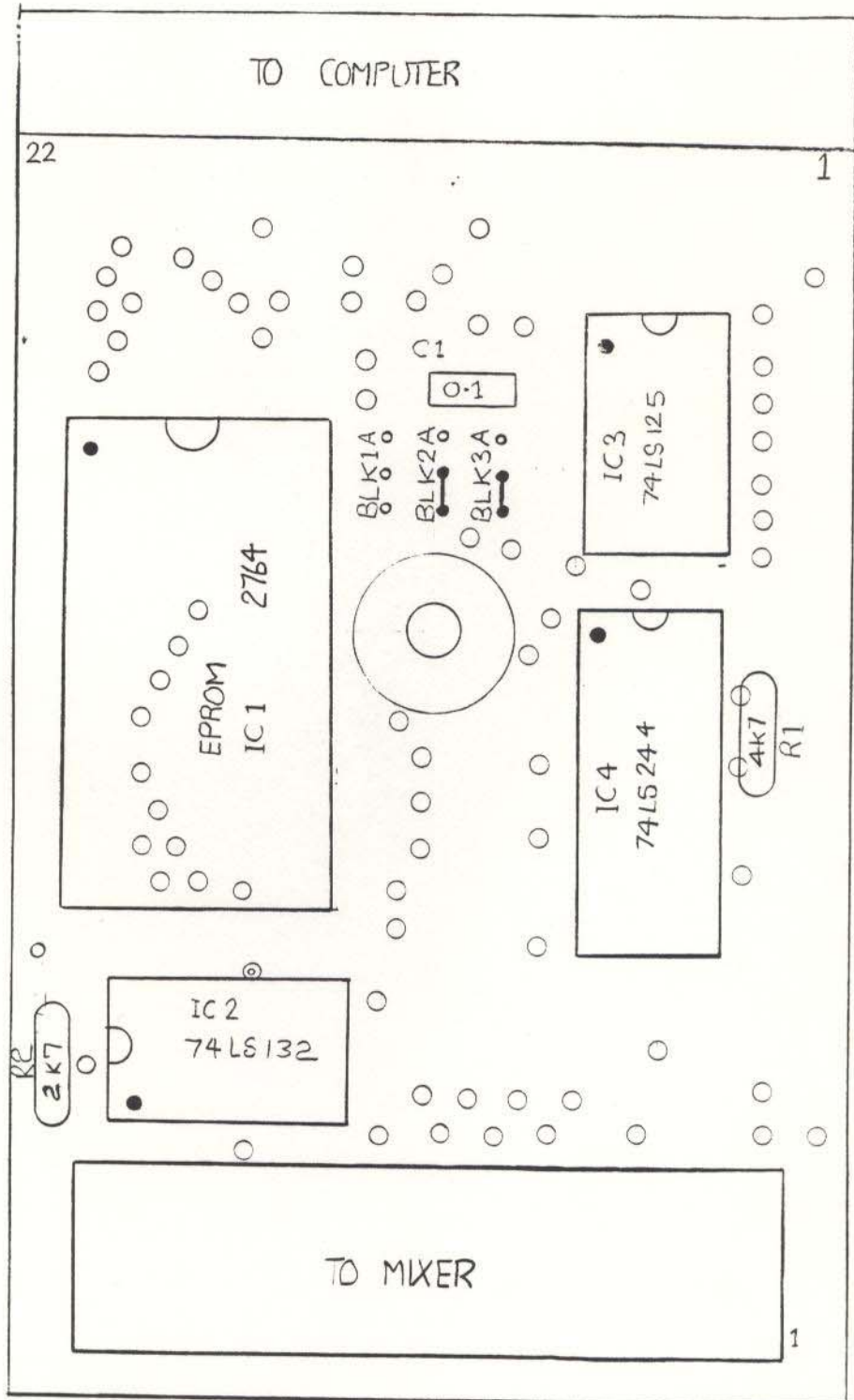
DESIGN DEPT 94 SHIP STREET, BIRMINGHAM B9 4AE TEL 0273 2888
 FACTORY KERRICK INDUSTRIAL EST, PENYTH, CORNWALL, TR 2629 7289

DRAWING No MBD 141

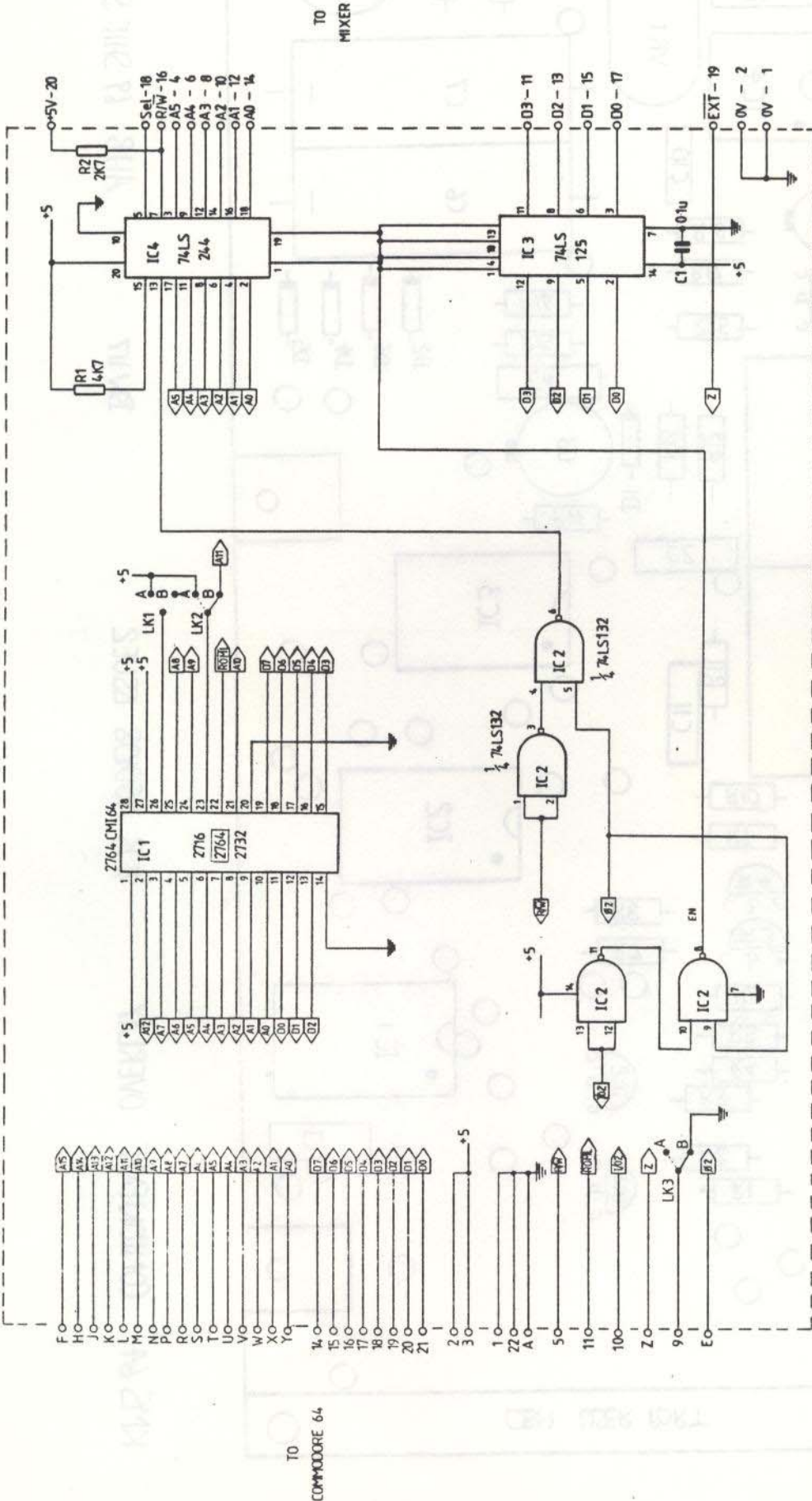
REVISION 4

AHB

KMI 64 COMPONENT OVERLAY ISS 3

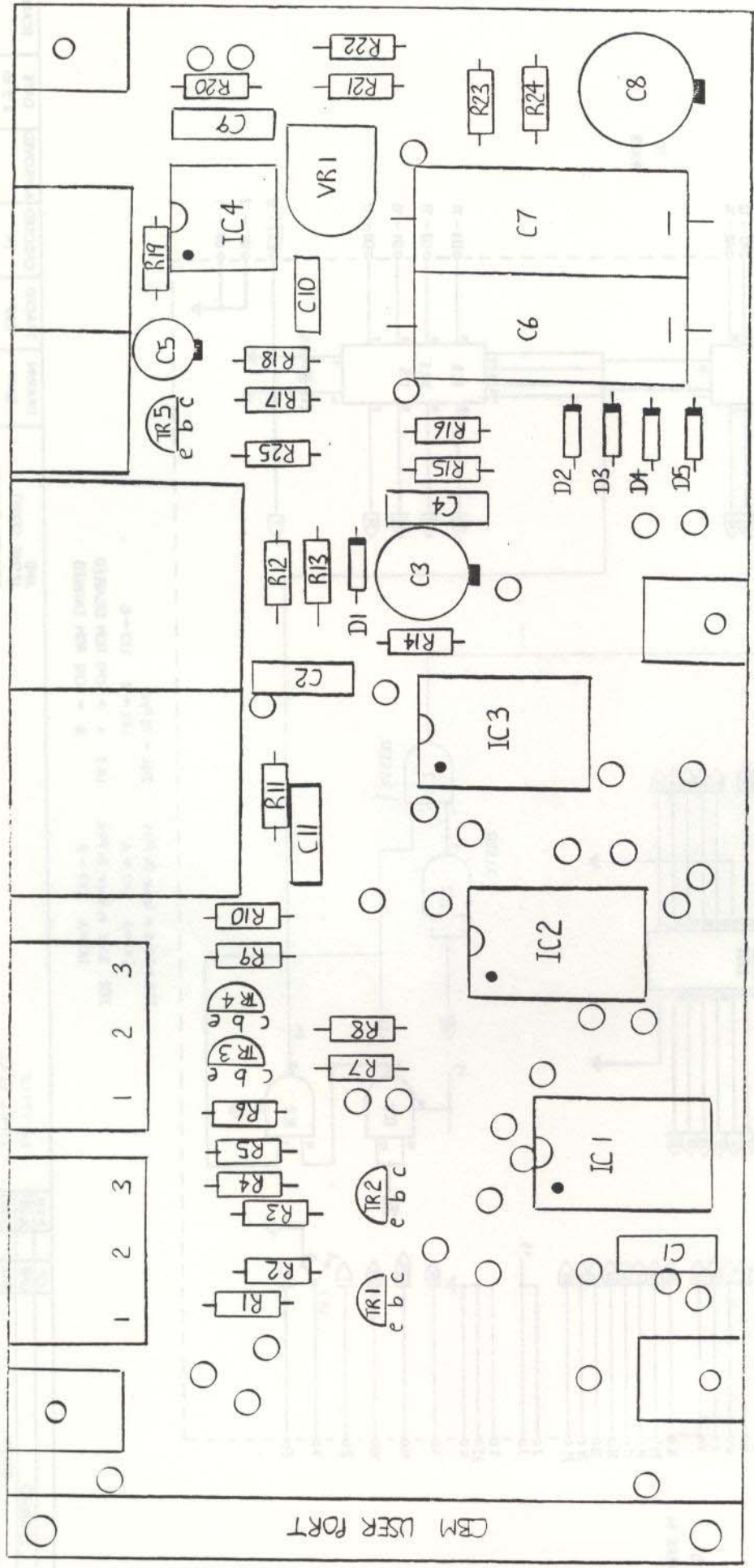


PINS 76



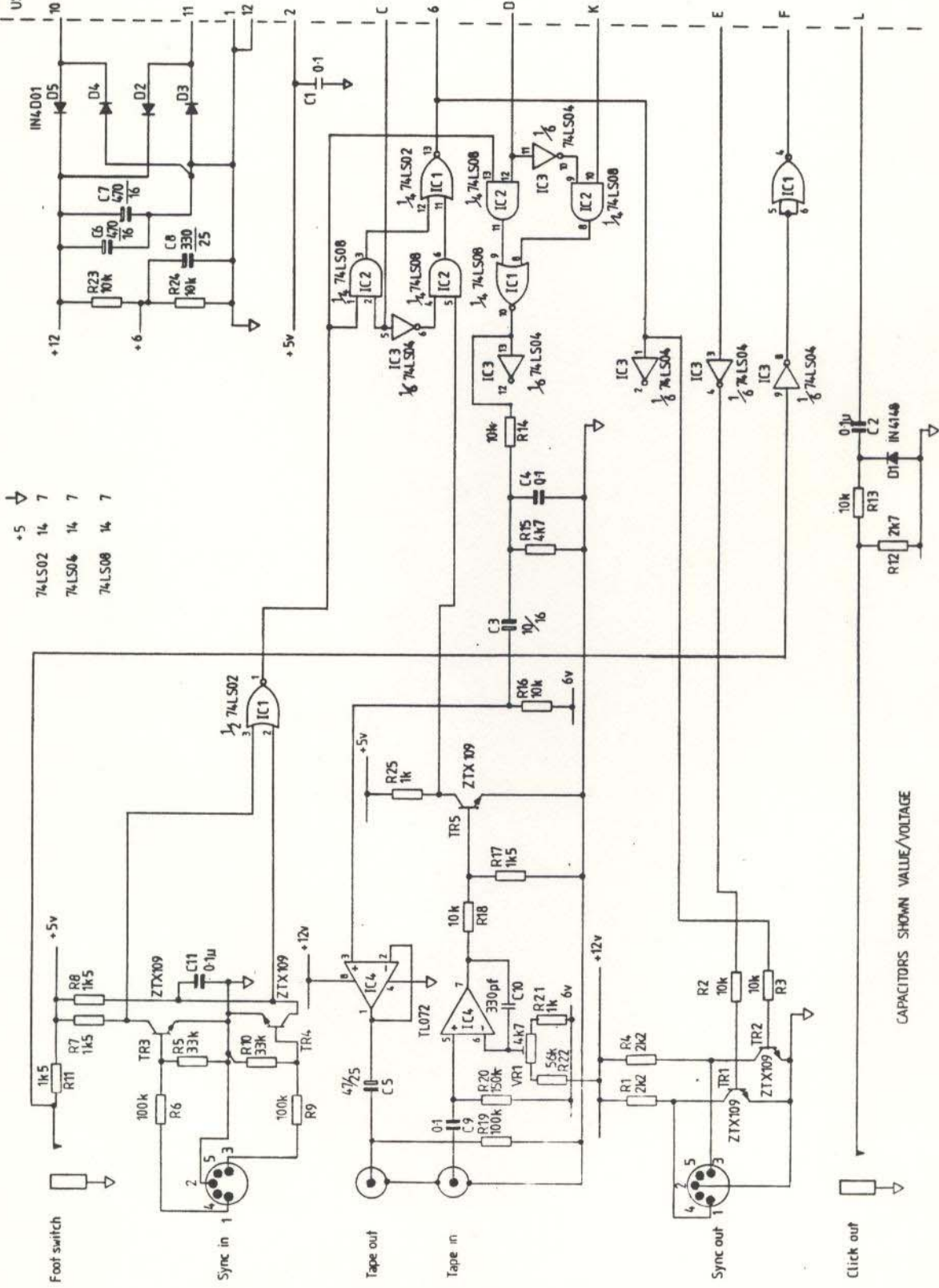
7716 - Sited in lower 24 Pins
 LK1 → A LK2 → A
 7764 - 28 Pins
 LK1 → B LK2 → B
 7732 Sited in lower 24 Pins
 LK1 → A LK2 → B
 CMI ROM DISABLED
 CMI ROM ENABLED

ALTERATIONS		KEYMIX KMI 64 COMPUTER INTERFACE CCT		AHB 69 SHIP STREET BRIGHTON BN1 1AE Tel 0273 26928		DRAWN GMR		TRACED KRP		CHECKED TR		APPROVED		DATE 2-3-85		SCALE	
3	IC2	14-7-86	GMR	24-4-85													
2	IC2	CHANGED	ORIGIN	GMR	24-1-85												
1			DESCRIPTION	CHK'D	DATE												
DRAWING No. MBD 118 iss 3																	



KMS 64 COMPONENT OVERLAY ICB AG008 ISSUE2 BW117 AHB 69 SHIP STREET, BRIGHTON

CBM 64
USER-PORT



ALTERATIONS		KEYMIX KMS64 CIRCUIT DIAGRAM		AHB		DRAWN		TRACED		CHECKED		APPROVED		DATE		SCALE	
		SYNC SYSTEM		69 SHIP STREET,		GMR		KRP						23-105			
		K-MS 64 PCB AG0108		BRIGHTON BNI IAE.													
				Tel. 0273 / 24928													

DRAWING No. MBD 119 iss2