

ALLEN & HEATH



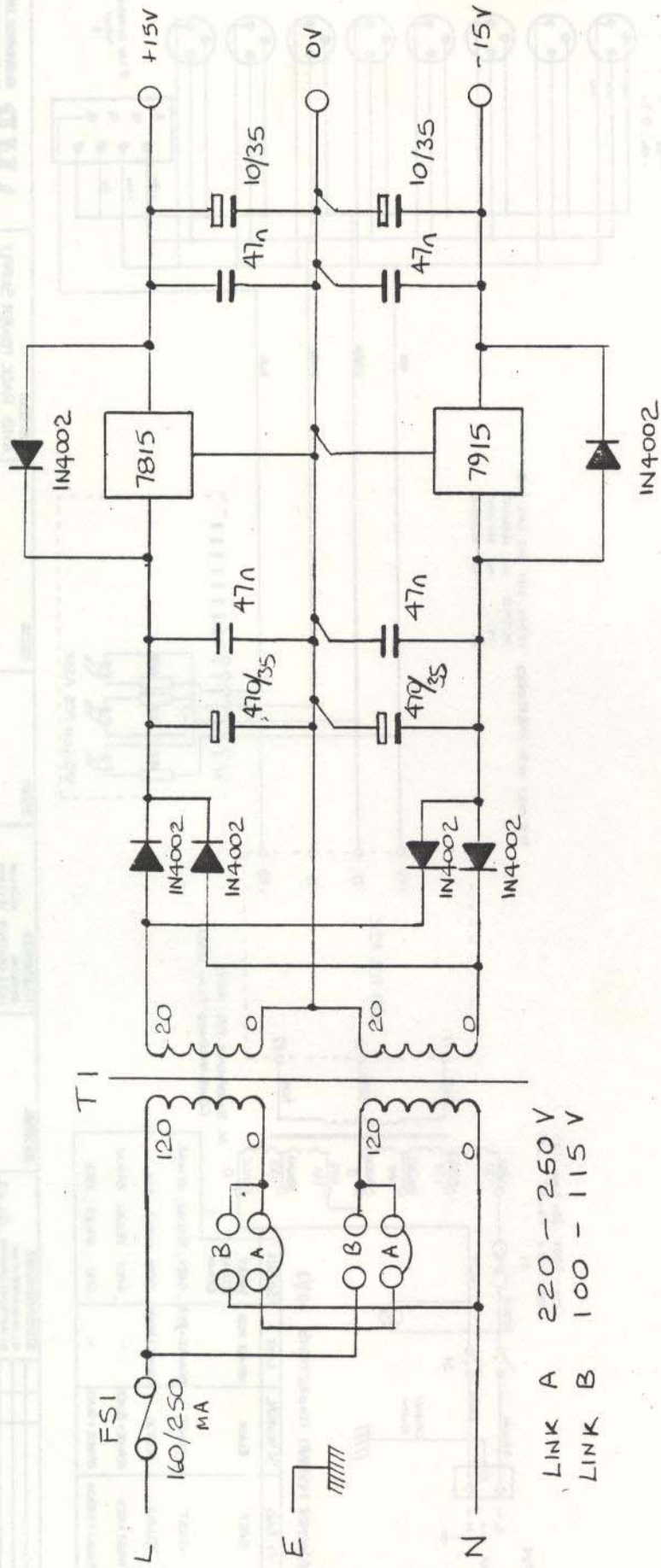
WARNING – HIGH VOLTAGES

Power Supply Unit (PSU) work should only be carried out by qualified personnel.

We recommend that you use an approved Allen & Heath service centre for all power supply work.

Please contact your local Allen & Heath distributor for more details.

<http://www.allen-heath.com/>



LINK A 220 - 250 V
 LINK B 100 - 115 V

MEP M3573
 FARNEL 141 440

REG 7815 CAN BE 78M15
 REG 7915 CAN BE 79M15

Allen & Heath / Brenell LTD

TITLE

KEYMIX RANGE P.S.U. CIRCUIT DIAGRAM

MPS 10

DRG.No.

MBD 138