

# ALLEN & HEATH



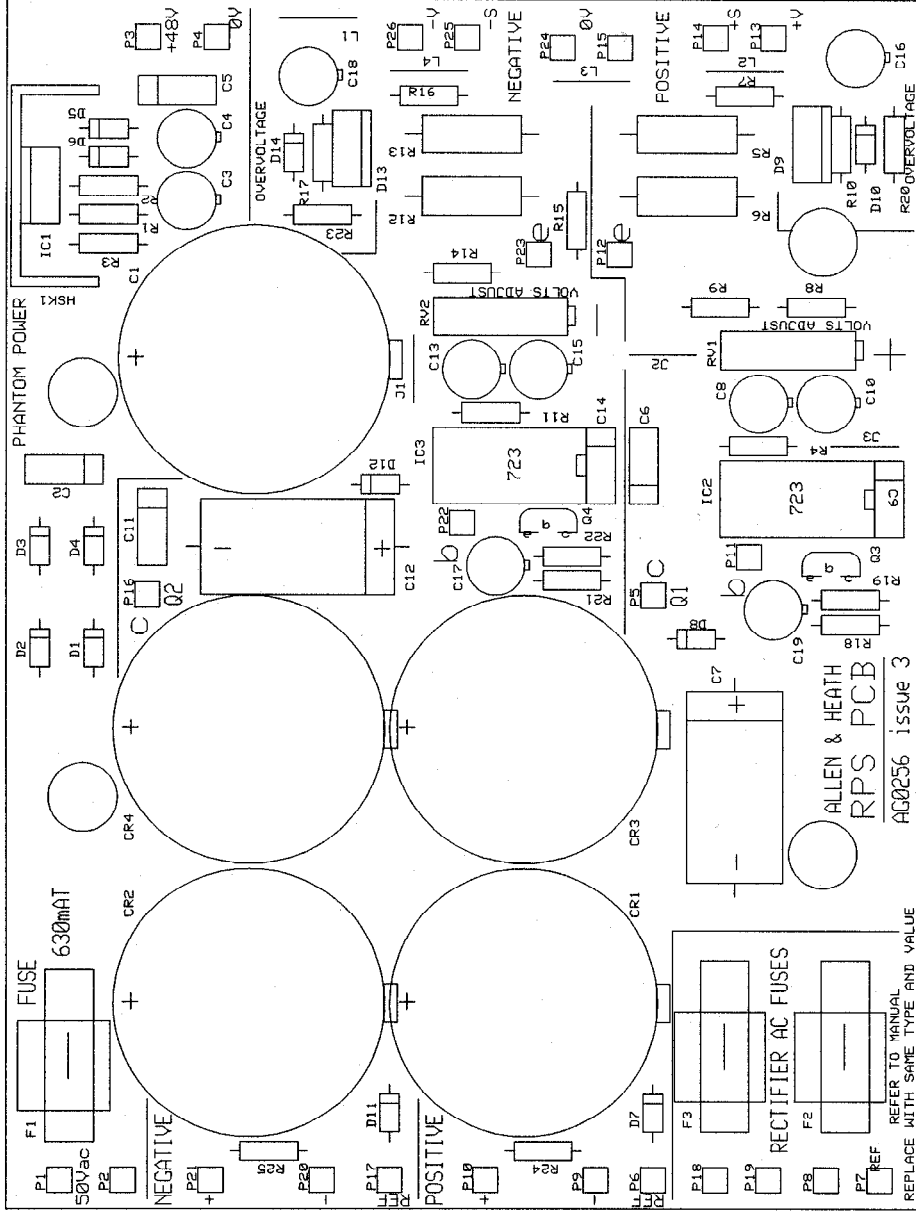
## **WARNING – HIGH VOLTAGES**

Power Supply Unit (PSU) work should only be carried out by qualified personnel.

We recommend that you use an approved Allen & Heath service centre for all power supply work.

Please contact your local Allen & Heath distributor for more details.

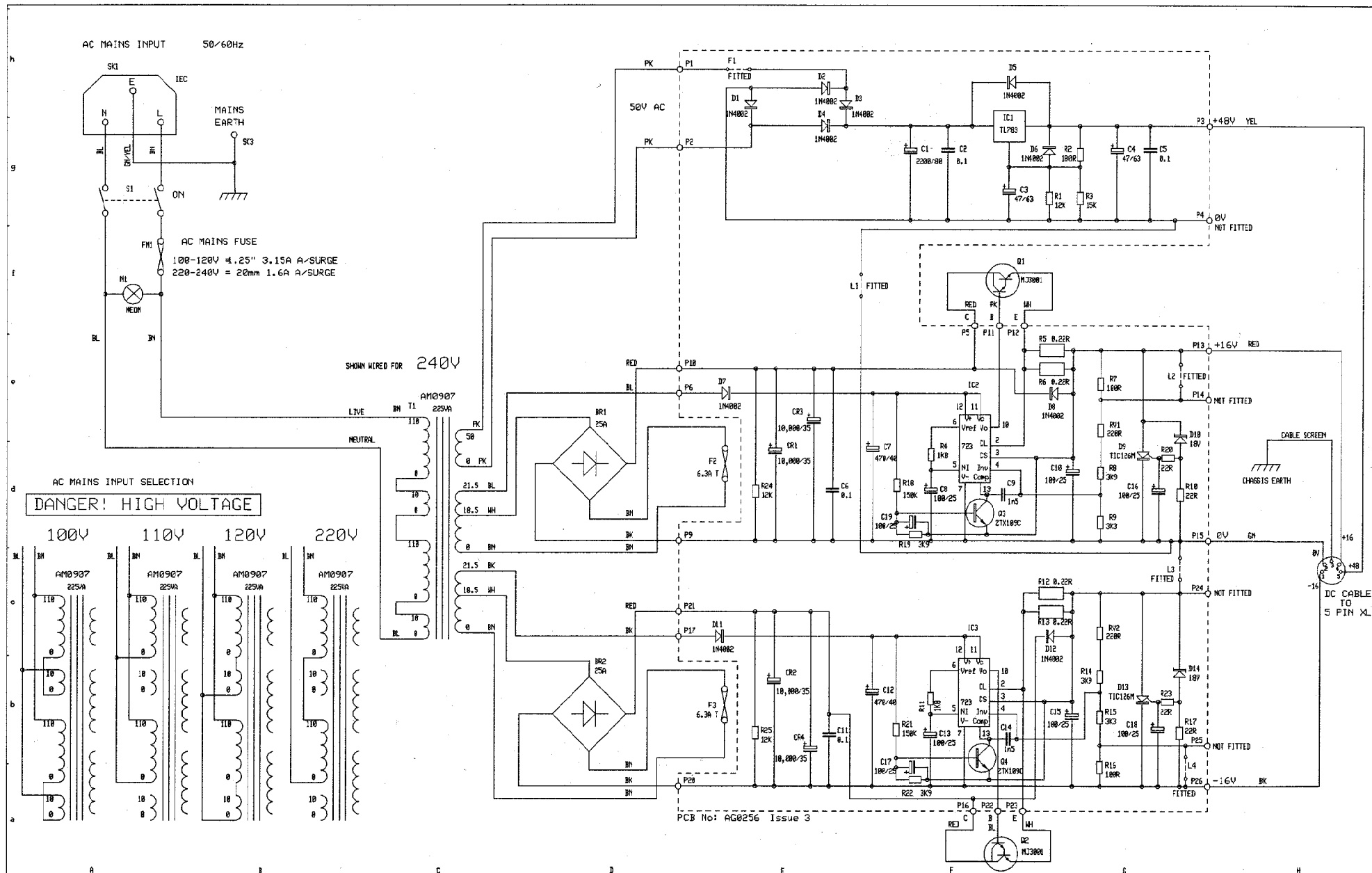
<http://www.allen-heath.com/>



ALLEN & HEATH  
RPS PCB  
AG0256 issue 3

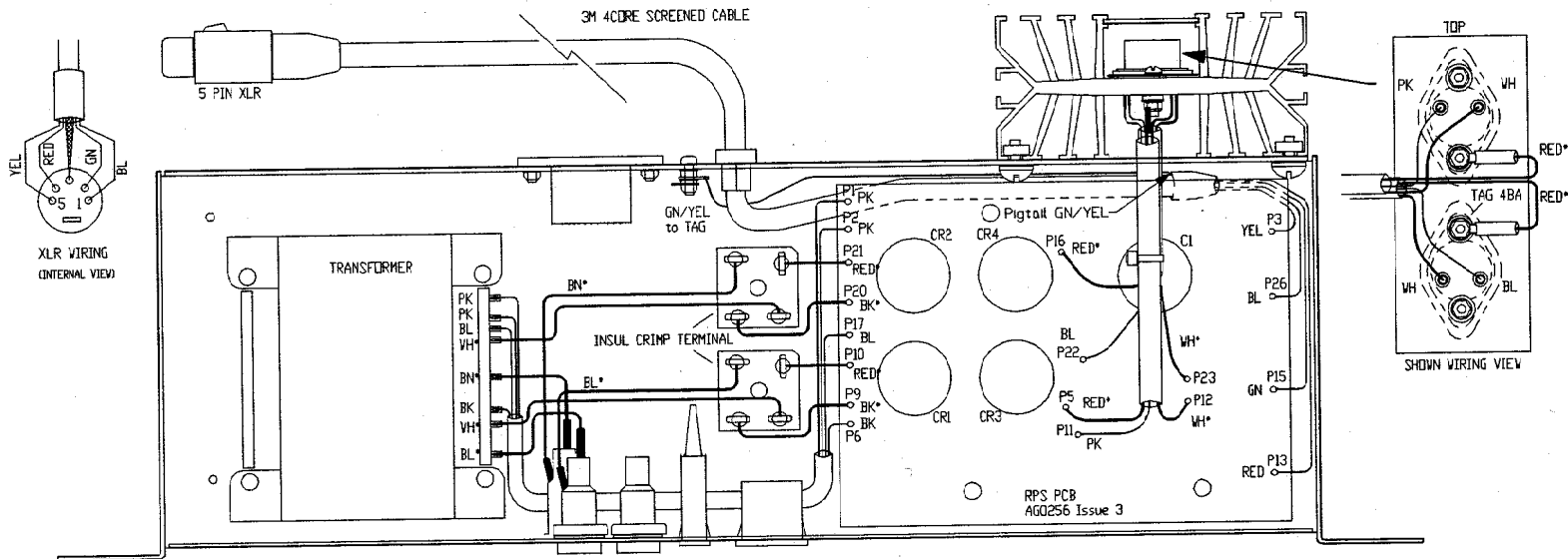
FW021D COMPONENT PRINT BY CD 6-3-91 A&H 0326 72070

REFER TO MANUAL  
REPLACE WITH SAME TYPE AND VALUE



ISS.	REVISION	BY DATE	NOTES	UNIT TITLE	MANUFACTURED IN ENGLAND BY
1	PRODUCTION	ARJ 7-12-94	1. RESISTORS MARKED R ARE 1% ALL OTHERS ARE 5% 1/4W UNLESS OTHERWISE MARKED 2. ELECTROLYTIC CAPACITORS ARE µF/VOLTS	<b>RPS10 POWER SUPPLY</b> DRAWING TITLE <b>CIRCUIT DIAGRAM</b>	<b>ALLEN &amp; HEATH</b> DRAWING No. C002-045 ISSUE 1

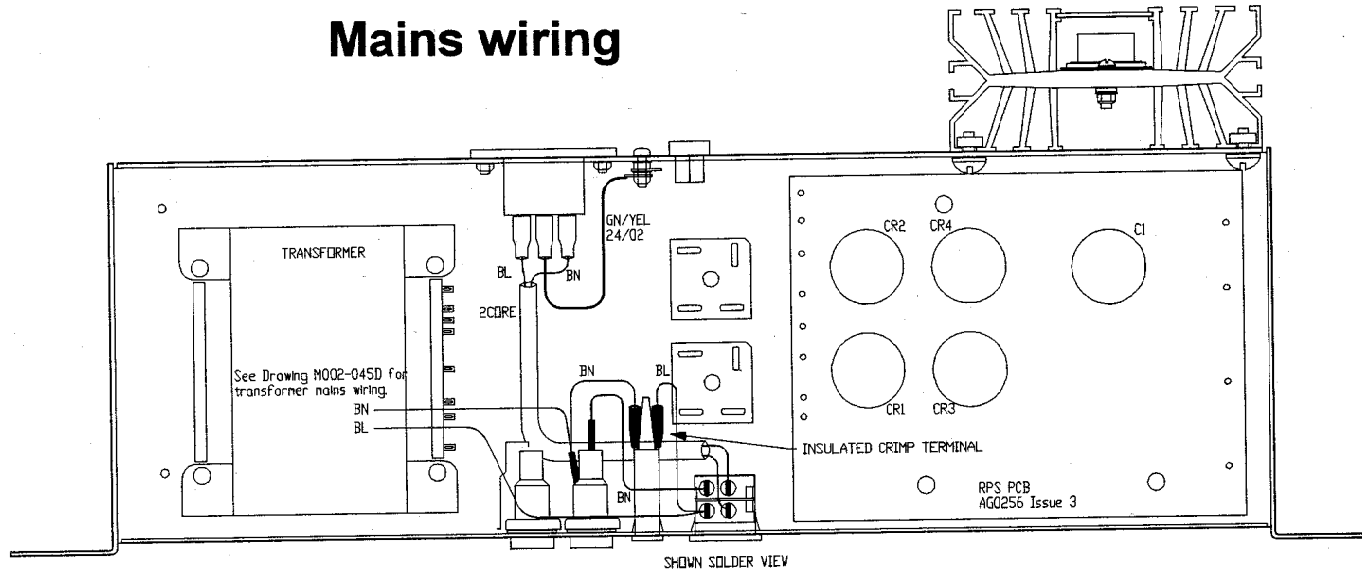
# DC wiring



ALL WIRES ARE 16/02 UNLESS MARKED WITH \* (eg. BL\*).

WIRES MARKED WITH \* (eg. BL\*) ARE 30/0.25.

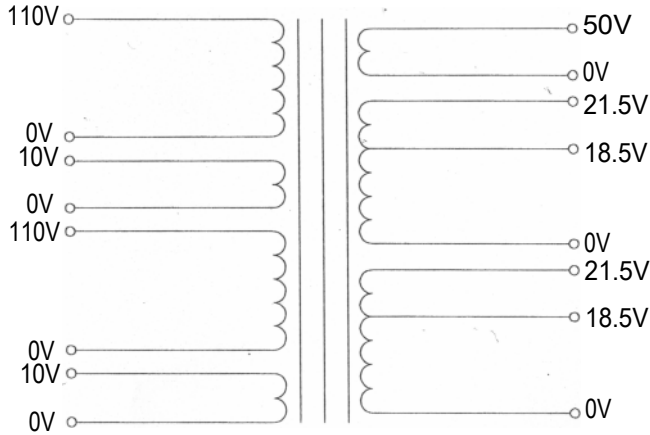
# Mains wiring



ALL WIRES 16/02 UNLESS OTHERWISE MARKED

INTERNAL WIRING

PRIMARY	SECONDARY (ON LOAD)	AC CURRENT (BRIDGE LOAD)	REGULATION
---------	------------------------	-----------------------------	------------



0.25A	10%
-------	-----

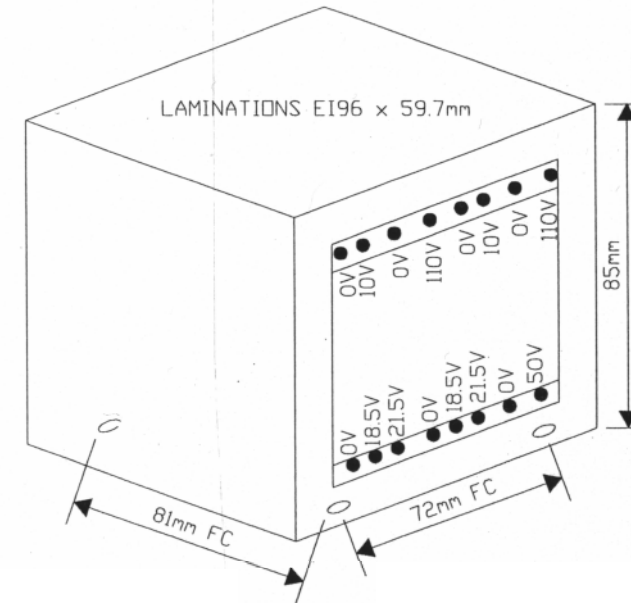
5A*	5%
-----	----

5A*	5%
-----	----

\* APPLICATION REQUIRES EITHER  
21.5V @ 5A OR 18.5V @ 5A

PRIMARIES CONNECTED IN SERIES OR PARALLEL  
FOR 100, 110, 120, 220 & 240V AC MAINS INPUTS

THE 10V PRIMARIES MAY BE REVERSE CONNECTED  
TO ACHIEVE 100V AC MAINS INPUTS.



FIXING HOLE DIA. 5mm

● SOLDER TAG CONNECTIONS

### APPROVALS

TRANSFORMER MUST CONFORM TO ALL RELEVANT EUROPEAN (EN),  
U S (UL) AND CANADIAN (CSA) SAFETY STANDARDS.

ISSUE	REVISION	BY	DATE	NOTES
1	REDRAWN FROM A153 Iss. 3	39	17/11/94	

1. WINDINGS TO BE IMPREGNATED TO PREVENT MECHANICAL BUZZ/VIBRATION.
2. TRANSFORMER TO BE MARKED WITH VOLTAGES AND PART NUMBER.

DRAWING TITLE

**225VA AC MAINS  
TRANSFORMER**

STOCK CODE

**AM0907**

**ALLEN  
&  
HEATH**

ALLEN & HEATH LTD.  
KERNICK INDUSTRIAL ESTATE.  
PENRYN, CORNWALL TR10 9LU.  
TEL. 0326 372070  
FAX. 0326 377097

DRAWING No.

**D276**

ISSUE 1