

ALLEN & HEATH



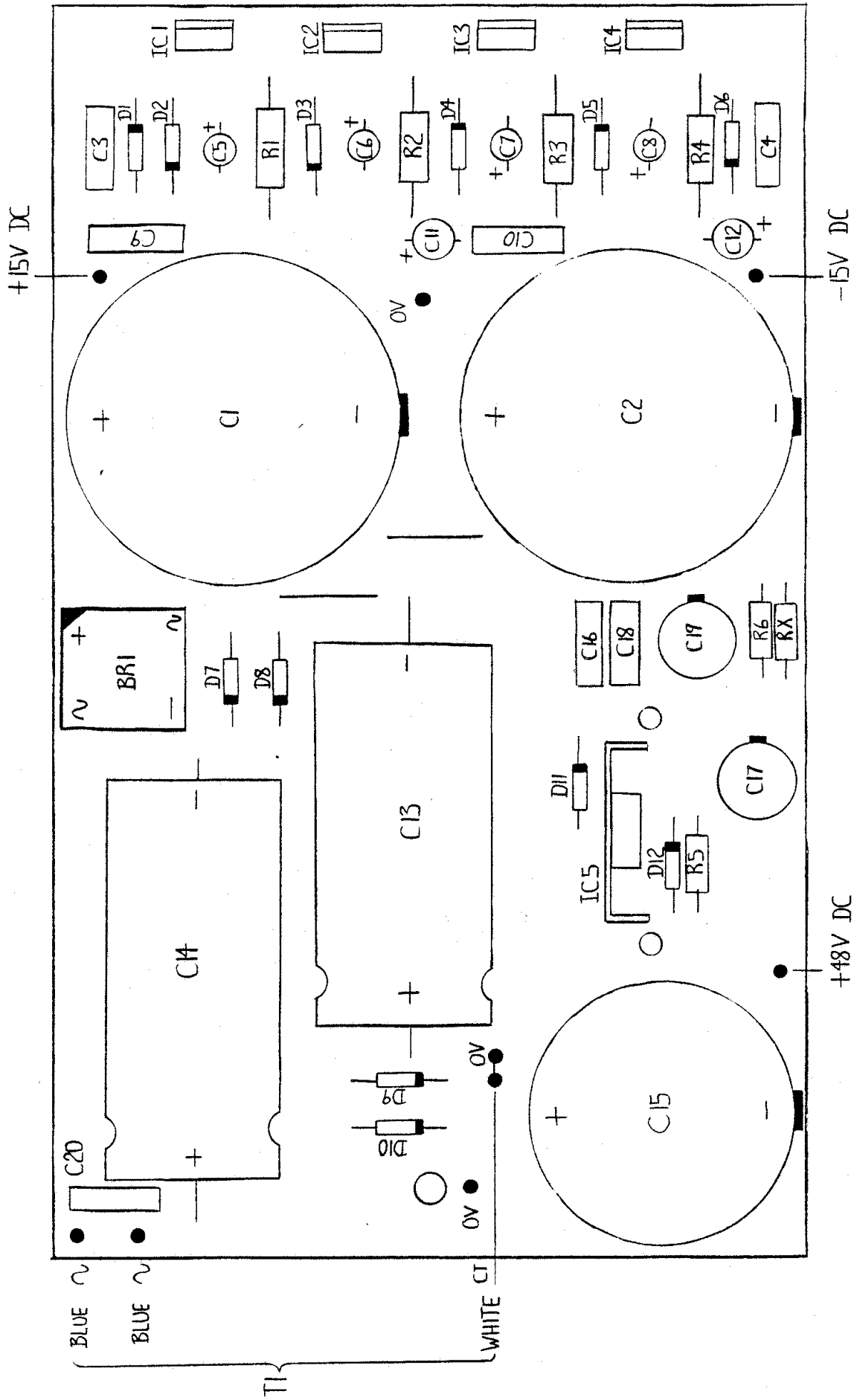
WARNING – HIGH VOLTAGES

Power Supply Unit (PSU) work should only be carried out by qualified personnel.

We recommend that you use an approved Allen & Heath service centre for all power supply work.

Please contact your local Allen & Heath distributor for more details.

<http://www.allen-heath.com/>

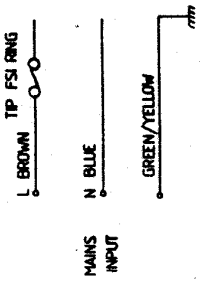
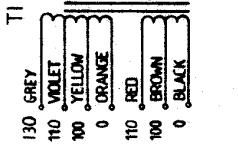
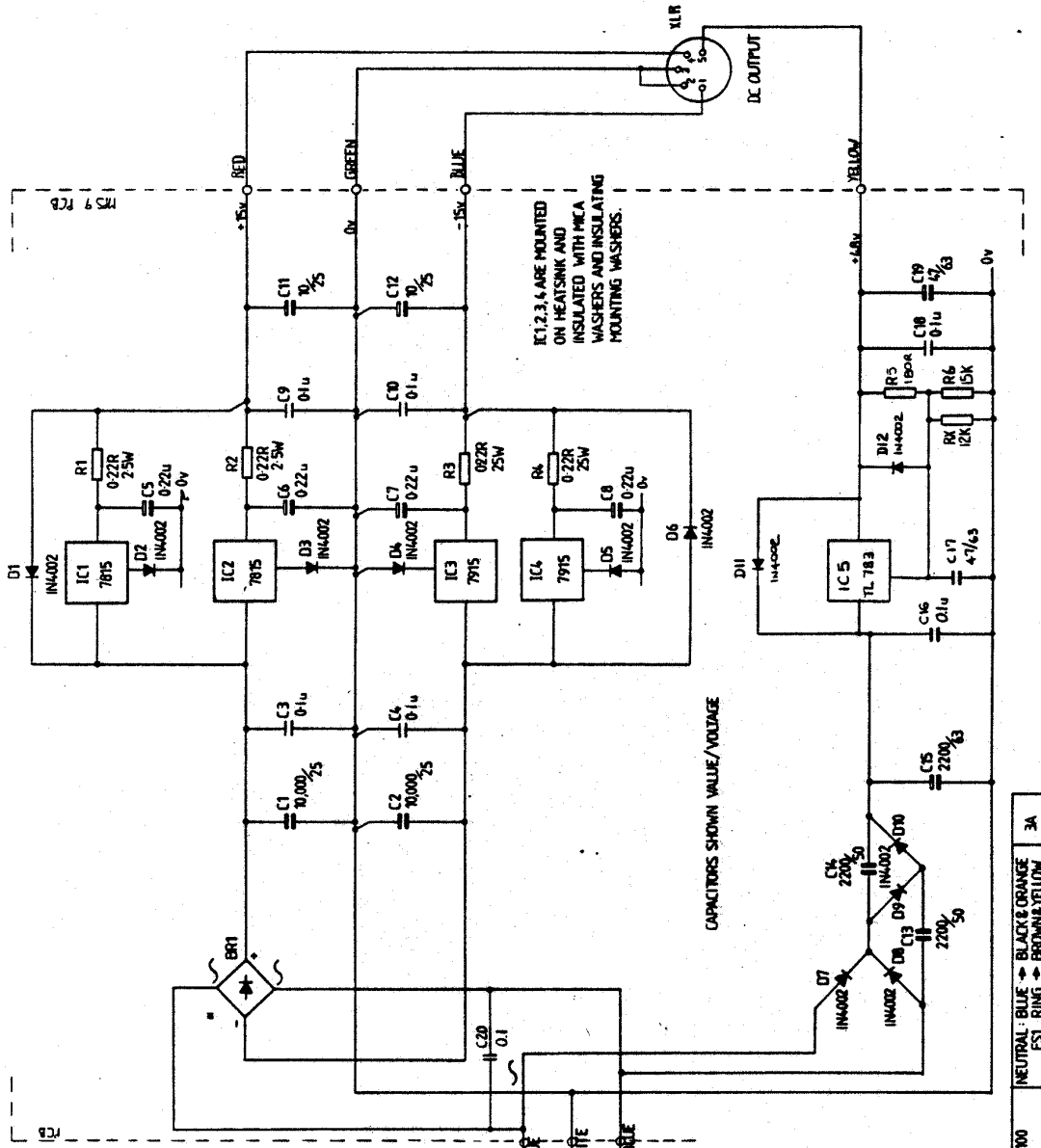


COMPONENT OVERLAY

AG0114 ISSUE 4

MPS9 PCB

AHB CMC SERIES



CAPACITORS SHOWN VALUE/VOLTAGE

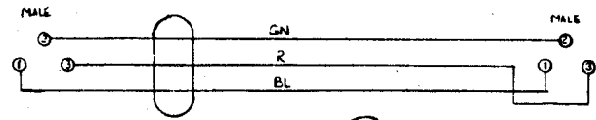
IC1,2,3,4 ARE MOUNTED ON HEATSINK AND INSULATED WITH MICA WASHERS AND INSULATING MOUNTING WASHERS.

A.C. LINE Input voltage	TRANSFORMER WIRING	FUSE rating
240	NEUTRAL: BLUE ↔ BLACK RED ↔ ORANGE FSI RING ↔ GREY	1A T
220	NEUTRAL: BLUE ↔ BLACK FSI RING ↔ ORANGE FSI RING ↔ VIOLET	1A T
110	NEUTRAL: BLUE ↔ BLACK & ORANGE FSI RING ↔ RED & VIOLET	3A T

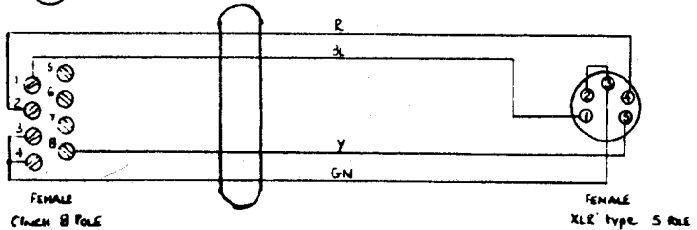
100	NEUTRAL: BLUE ↔ BLACK & ORANGE FSI RING ↔ BROWN & YELLOW	3A
-----	---	----

3	T1 Change	GHR	10/2/85	CNC SERIES	AHB	69 SHIP STREET	DRAWN	TRACED	CHECKED	APPROVED	DATE	SCALE
2	TR1 Change	GHR	12/11/84	P.S.U. MPS 9	BRIGHTON BN1 1AE	RSR	KRP	GMR/CD			11/10/84	
PCB AG07M ISSUE 4 • BR1 FITTED WITH HEATSINK												
TEL 0273 24928												
DRAWING No. MBD122 iss 4												
ALTERATIONS												
No.	DESCRIPTION		CHK'D	DATE								

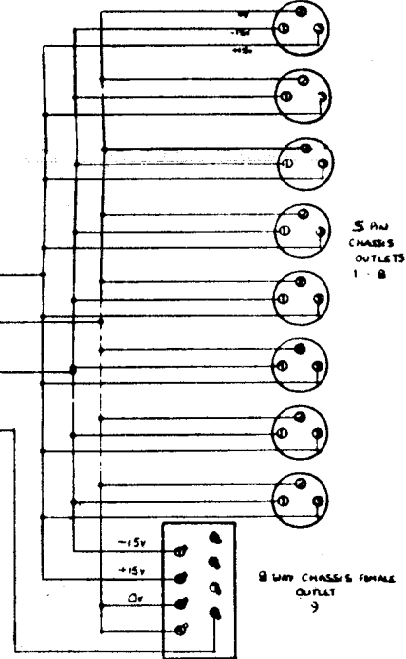
3 PIN DC CORD
for KEYMIX SYSTEMS



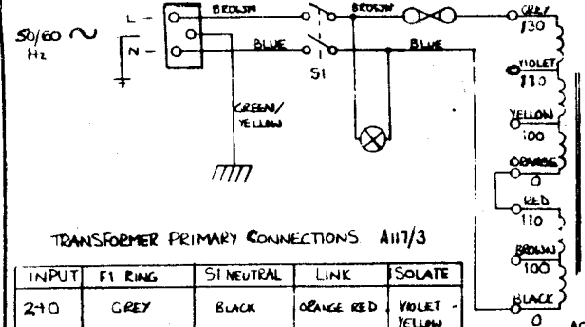
MULTIPLE DC CORD
for CMC series
SYSTEM B
SR series



DC OUTPUTS
+15v 2-75A total MAX
-15v
+48v 0-1

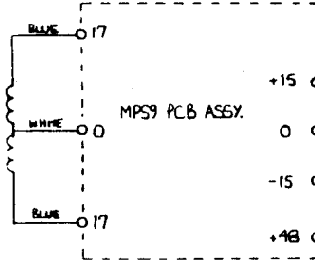


AC INPUT



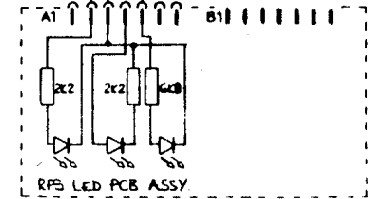
TRANSFORMER PRIMARY CONNECTIONS A117/3

INPUT	F1 RING	S1 NEUTRAL	LINK	SOLATE
240	GREY	BLACK	ORANGE RED	VIOLET - YELLOW BROWN
220	VIOLET	BLACK	ORANGE + RED	GREY, YELLOW, BROWN
200	YELLOW	BLACK	ORANGE + BROWN	GREY, VIOLET, RED
110	VIOLET + RED	ORANGE + BLACK	-	GREY, YELLOW, BROWN
100	YELLOW + BROWN	ORANGE + BLACK	-	GREY, VIOLET, RED



AC TRANSFORMER TYPE A117/3
GRANTA WINDINGS Pt No D1847

USE ONLY WITH AHB MODELS
KEYMIX KM1 EM1 KM3 KM4
SYSTEM B ALL VERSIONS
CMC ALL VERSIONS
SR ALL VERSIONS



STANDARD NOTES
ALL DIMENSIONS IN mm
DO NOT SCALE DRAWING
THIRD ANGLE PROJECTION
REMOVE ALL BURRS & SHARP EDGES

MATERIAL

TOLERANCES
GENERAL ±0.25 mm
HOLE CENTRES ±0.18 mm
HOLE SIZES ±0.10 mm

FINISH

NOTES

UNIT TITLE
AHB RACK POWER SUPPLY
model RPS1
DRAWING TITLE
CIRCUIT DIAGRAM

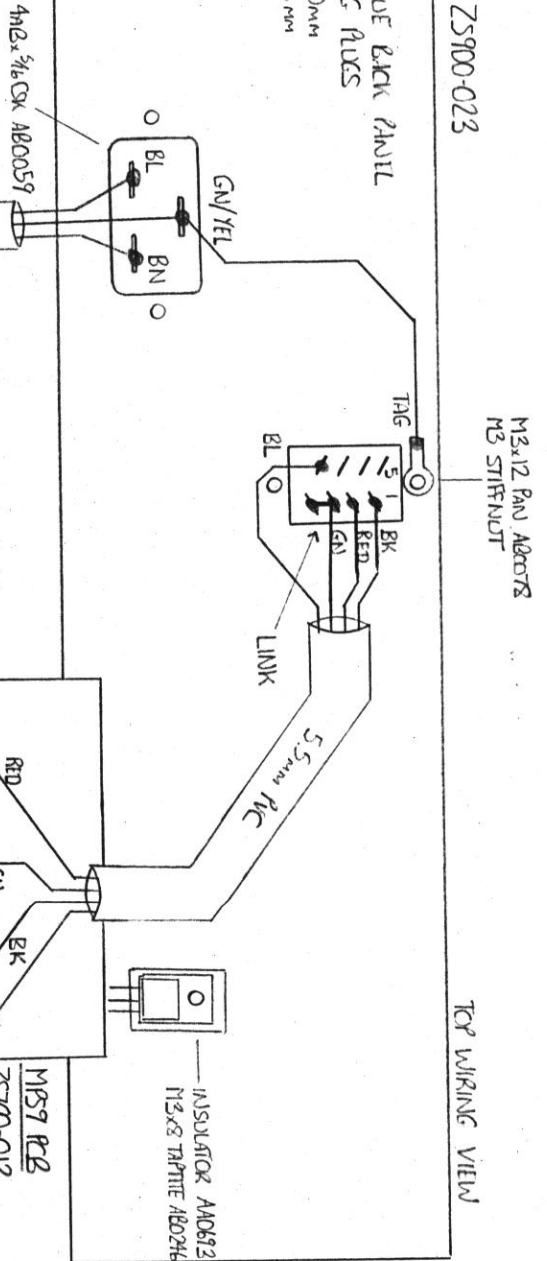
AHB ALLEN HEWLETT BUREAU OF APPLIED PHYSICS

DESIGN NO. MBD 142

REVISION 2

REAR PANEL ASSY ZS900-023

NOTE:
FOR EARLY ISSUE BACK PANEL
FIT BLANKING FLUES
AKO313 30mm
AKO215 16mm

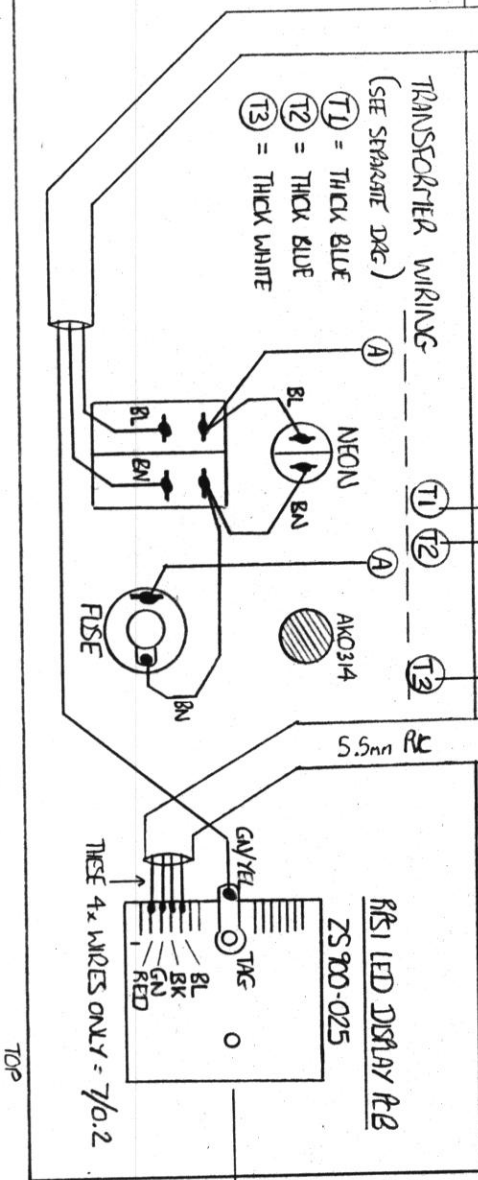


TOP WIRING VIEW

FRONT PANEL ASSY ZS900-024

NOTE:
WRAP & SLEEVE ALL MAINS JOINTS
WITH HELTERMINU RUBBER SERVING

TRANSFORMER WIRING
(SEE SEPARATE DRG)
T1 = THICK BLUE
T2 = THICK BLUE
T3 = THICK WHITE



TOP

WIRE IS 16/0.2 EXCEPT FOR
LED PCB WIRING

COMPLETE ASSY:

RS1 240V ZS900-908

FUSE INSERT 20mm AL03
FUSE 20mm 1A T AL03

RS1 110V ZS900-909

FUSE INSERT 1/4" AL051
FUSE 1/4" 5A T AL054

M3x20 CSK AB00080
M3.65/PEEK AB0137
M3 STIFFNUT AB0102

A.C. input fuse D.C. output

110V 240V

1.25" 20mm

3A.T. 1A.T.

+15V

-15V

+48V

POWER SUPPLY RPS1

VHBB

POWER SUPPLY MODEL RPS1

made in England by **VHBB**

AC input 50/60Hz. set for V

CAUTION high voltage hazard.
Disconnect AC supply before removing covers.

Fuse on front panel.

DC ground not connected to AC earth.



POWER SUPPLY SERIAL No.

TYPE **MPS 71** -

OUTPUT A + **15** V. DC **2.5** A MAX

OUTPUT B + **48** V. DC **0.15** A MAX

WARNING HIGH VOLTAGE INSIDE!

MAINS INPUT V. AC ~ 50/60 Hz

FUSE A

AHBLTD, LONDON, ENGLAND

NOMINAL MAINS INPUT	RANGE	FUSE RATING - TYPE	TERRITORY
240 V.AC	235 - 245 V.AC	1 AT 20x5 mm	U.K.
220 V.AC	210 - 230 V.AC	1 AT 20x5 mm	Europe/Ireland
110 V.AC	105 - 120 V.AC	3 AT 1½x½"	America
100 V.AC	96 - 106 V.AC	3 AT 1¼x¼"	Japan