

# ALLEN & HEATH



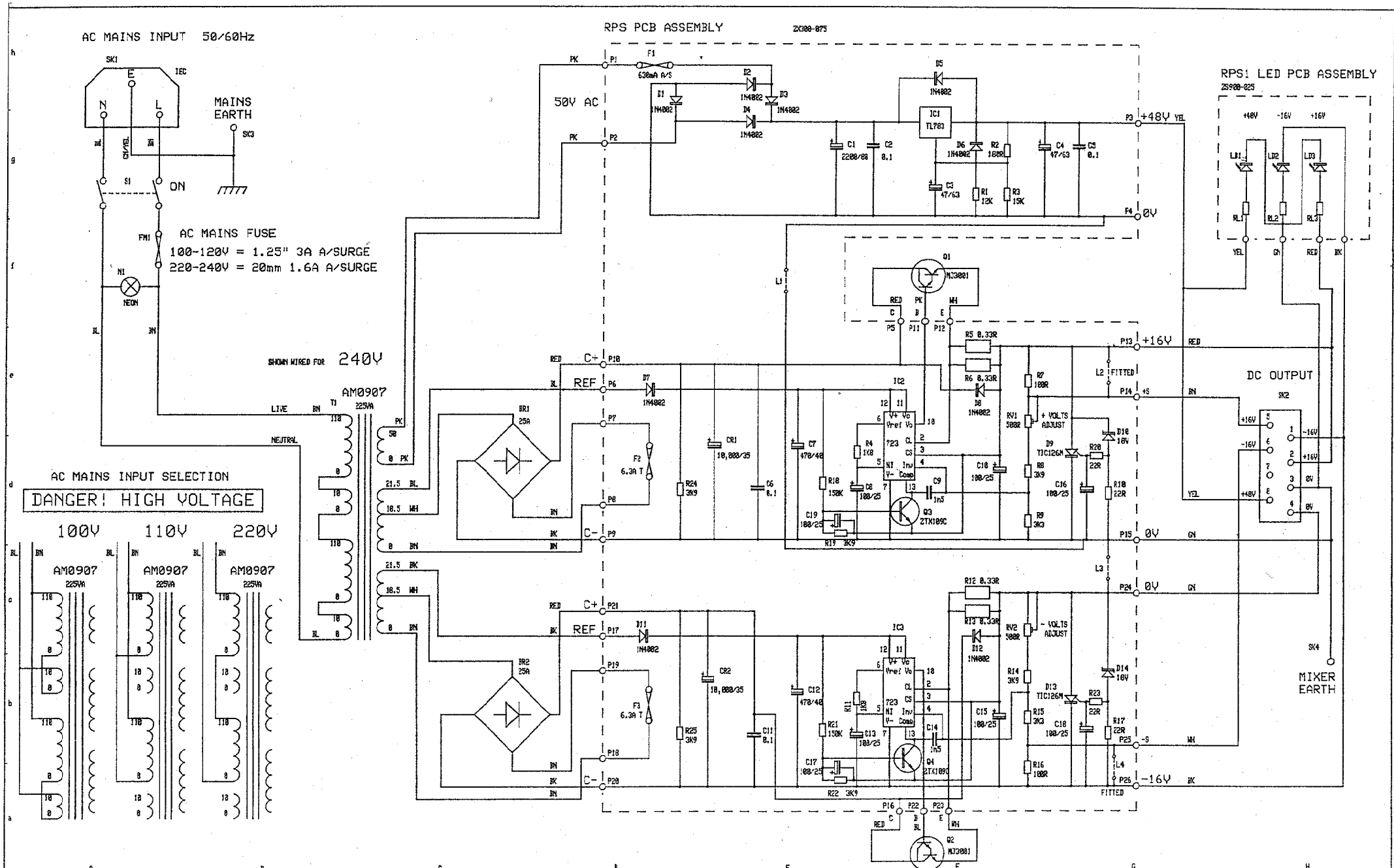
## **WARNING – HIGH VOLTAGES**

Power Supply Unit (PSU) work should only be carried out by qualified personnel.

We recommend that you use an approved Allen & Heath service centre for all power supply work.

Please contact your local Allen & Heath distributor for more details.

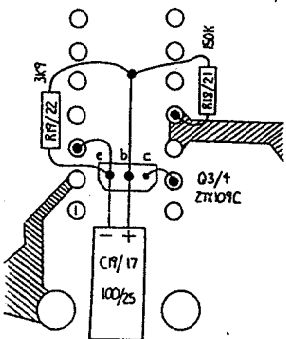
<http://www.allen-heath.com/>



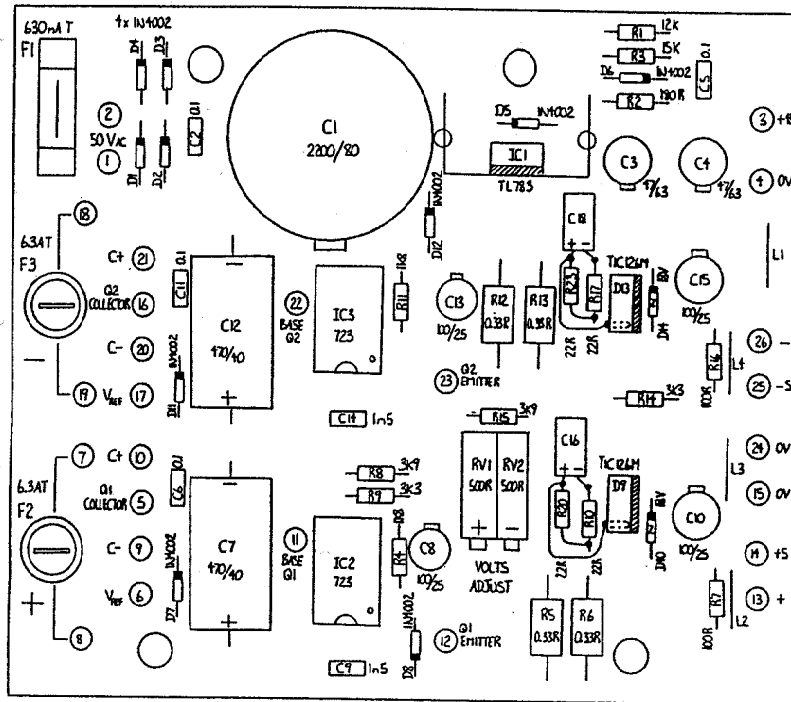
ISS.	REVISION	BY	DATE	NOTES	UNIT TITLE	DRAWING TITLE	ALLEN & HEATH KERNICK IND. EST. PENRYN CORNWALL TR10 9LU FAX. 0326 77097
1	PRODUCTION	CD	30-1-91	1. RESISTORS MARKED # ARE 1% ALL OTHERS ARE 5% 1/4W UNLESS OTHERWISE MARKED	SERIES 200	RPS5 3AMP POWER SUPPLY	DRAWING No. D060 ISSUE 1
2	MOVED CR1 & CR2 AND ADDED R24&R25	McB	27-3-91	2. ELECTROLYTIC CAPACITORS ARE µF/VOLTS 3. ON AGR256 ISSUE 21 CR1 & CR2 ARE CHASSIS MOUNTED. R24 & R25 ARE NOT FITTED.			

COMPONENTS MOUNTED ON TRACKSIDE

TRACK VIEW OF 723 IC



TOTAL COMPONENT HEIGHT LESS THAN 11mm



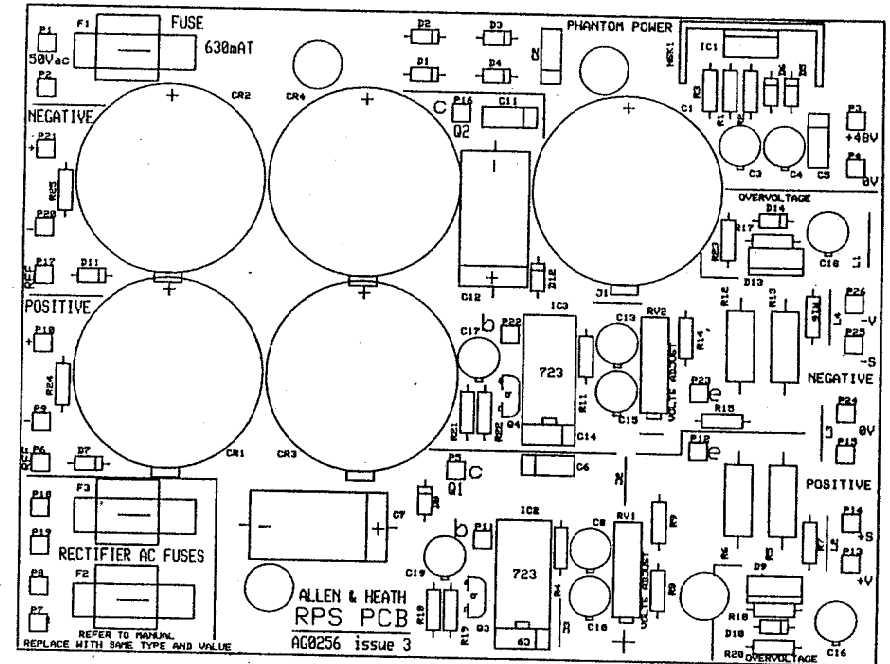
ALLEN & HEATH

RPS5 POWER SUPPLY PCB

AG0256 ISSUE 2

BW382

BY CD R291



ALLEN & HEATH  
RPS PCB  
AG0256 ISSUE 3

FW021 ISSUE 3