

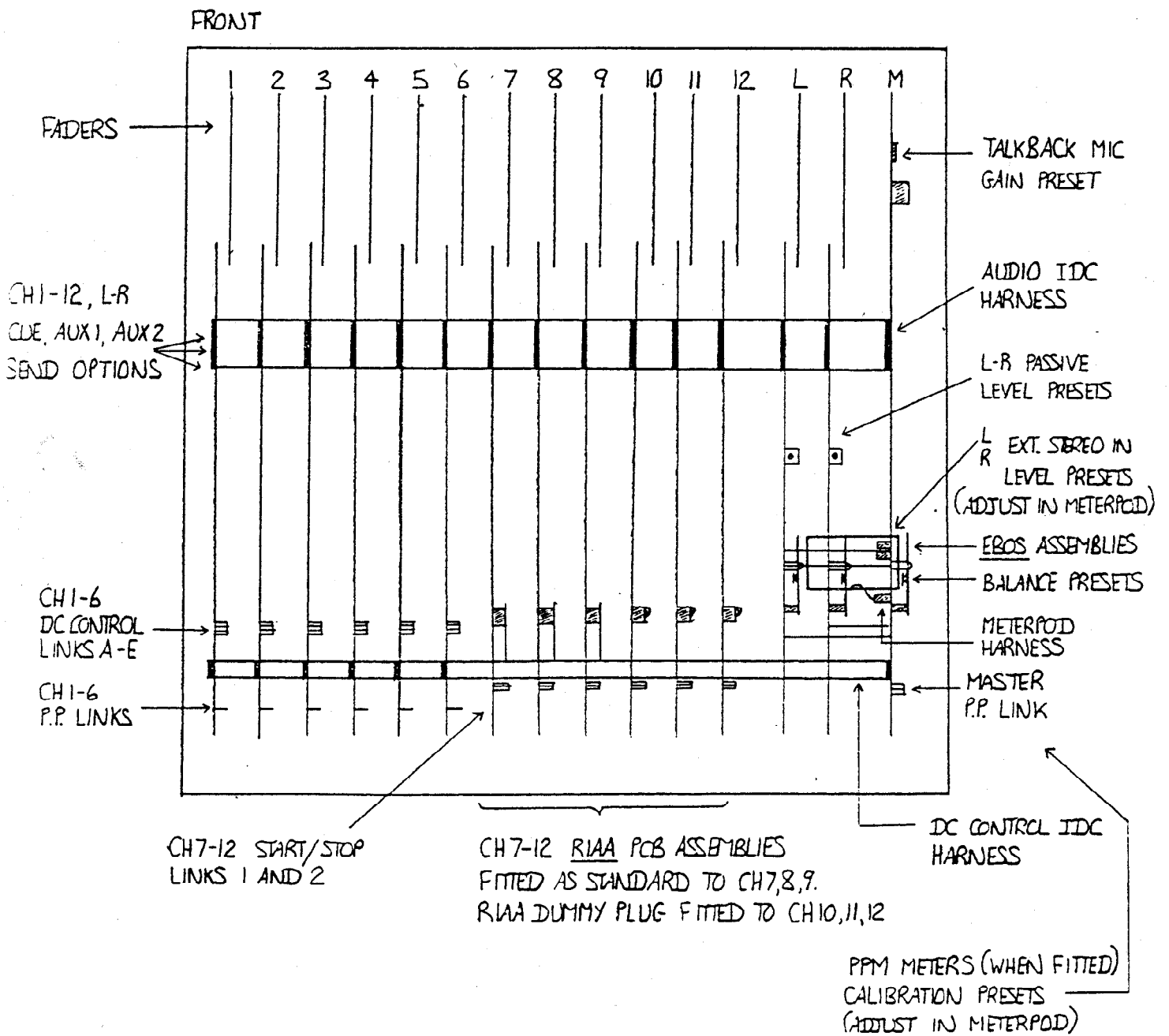
SCHEMATICS ONLY from owner manual AP0060.

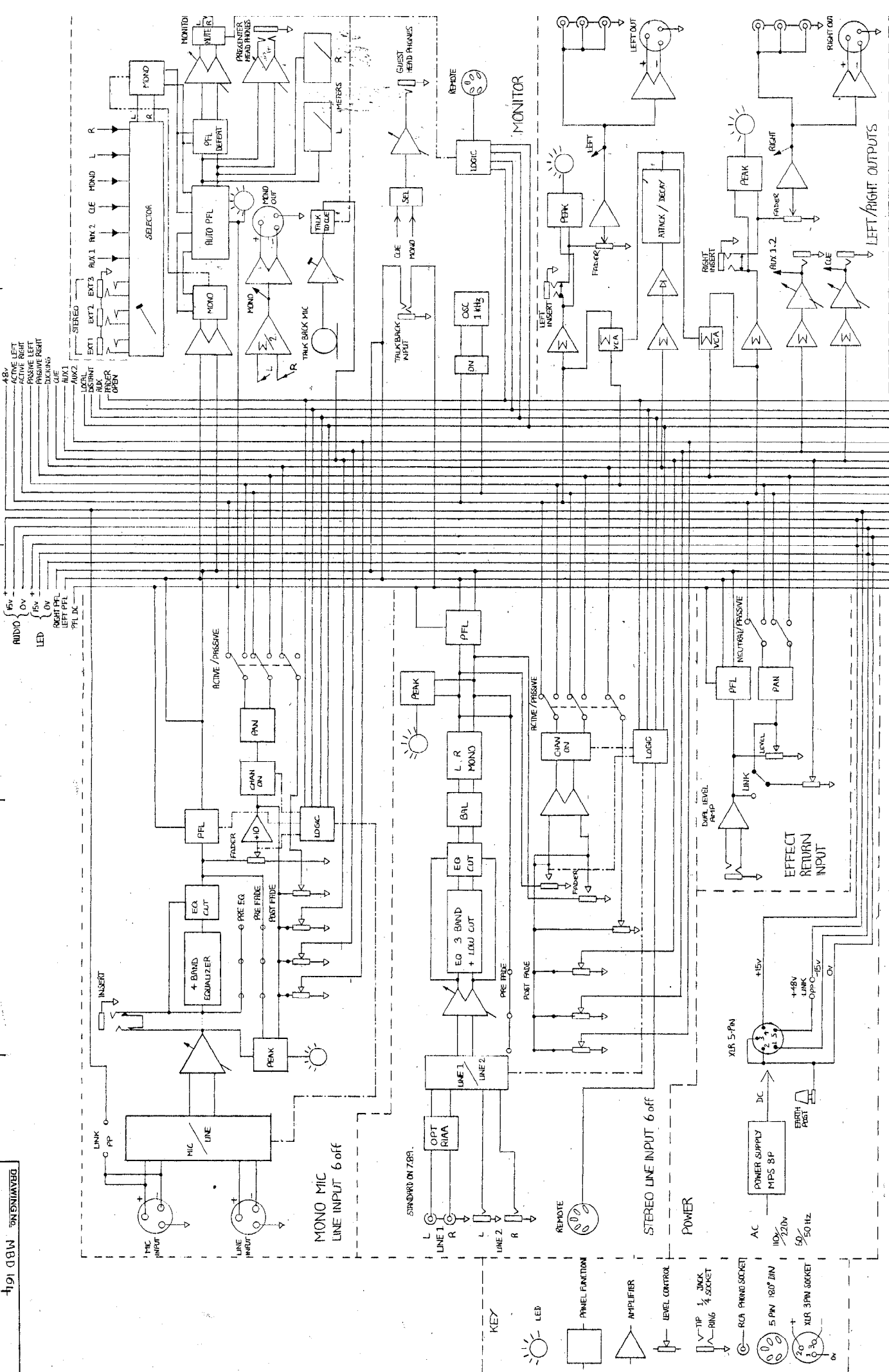
Text of owner manual is published as separate document.

PSU not shown in this (public) document.

CD 12-9-86

STUDIO 12 — INTERNAL VIEW

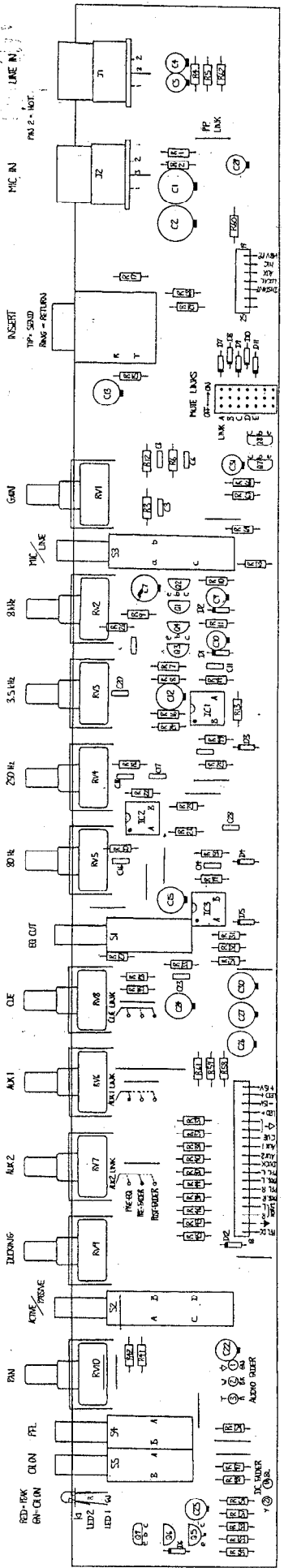




<p>STANDARD NOTES ALL DIMENSIONS IN MM DO NOT SCALE DRAWING THIRD ANGLE PROJECTION REMOVE ALL BURRS & SHARP EDGES</p>		<p>MATERIAL</p>		<p>TOLERANCES GENERAL ±0.25 mm HOLE CENTRES ±0.15 mm HOLE SIZES ±0.10 mm</p>		<p>FINISH</p>		<p>NOTES</p>		<p>UNIT TITLE STUDIO 12</p> <p>DRAWING TITLE SYSTEM SCHEMATIC</p>		<p>mbi/AHB DESIGN DEPT. 20 SHIP STREET, BROMFORD, HANTS. RG73 1JH FACTORY REFERENCE INDUSTRIAL EST. PERMITS: COMM. 14 8251, 7202</p>		
<p>DATE: 1984/05/14</p>	<p>SCALE: 1:1</p>	<p>DESIGNER: [Signature]</p>	<p>DATE: 1984/05/14</p>	<p>ISSUE: 1</p>	<p>DRAWING NO: MBD 164</p>	<p>ISSUE: 1</p>	<p>DESIGNER: [Signature]</p>	<p>DATE: 1984/05/14</p>	<p>ISSUE: 1</p>	<p>DRAWING NO: MBD 164</p>	<p>ISSUE: 1</p>	<p>DESIGNER: [Signature]</p>	<p>DATE: 1984/05/14</p>	<p>ISSUE: 1</p>

ISSUED BY CD28886

MONO MIC/LINE INPUT PCB



PBE AHB STUDIO 12 MONO MIC/LINE INPUT PCB AG0157 ISSUE 2

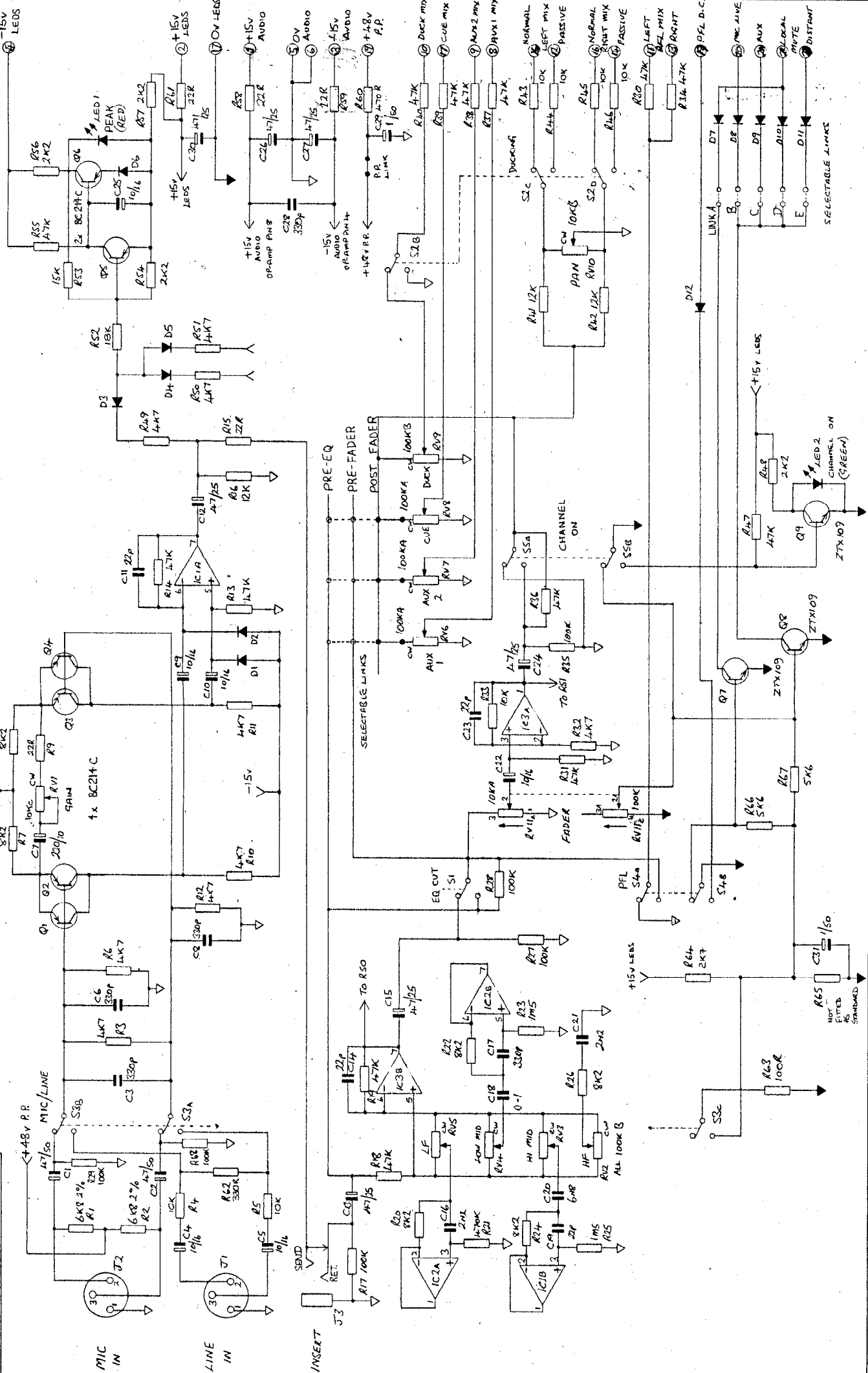
NOTES: MK2, MK1, OE SLOTS

PINS PLACEMENT

OPTIONS: MUTE LINGS

OPTION: RANDOM TOWER LINK

- A 16Z TO LOCAL
- B 16Z
- C 16Z-AL
- E 16Z-AL



<p>UNIT TITLE MB1 AHB STUDIO 12</p> <p>DRAWING TITLE MONO MIC/LINE INPUT</p>		<p>NOTES ALL DIMENSIONS IN MM ALL OP-AMP'S T-1092 LAST R = R68 LAST C = C31 P-R AC-0157</p>		<p>FINISH</p>		<p>TOLERANCES GENERAL ±0.25 mm HOLE CENTRES ±0.15 mm HOLE SIZES ±0.10 mm</p>		<p>MATERIAL</p>		<p>STANDARD NOTES ALL DIMENSIONS IN MM DO NOT SCALE DRAWING THIRD ANGLE PROJECTION REMOVE ALL BURRS & SHARP EDGES</p>		<p>SCALE AS SHOWN</p>	
<p>REVISIONS</p>		<p>DATE</p>		<p>BY</p>		<p>CHK'D</p>		<p>APP'D</p>		<p>DATE</p>		<p>BY</p>	
<p>APPROVED</p>		<p>DATE</p>		<p>BY</p>		<p>CHK'D</p>		<p>APP'D</p>		<p>DATE</p>		<p>BY</p>	

GHB
 ALLER LEHNER BREWELL LTD
 ENGINEERS AND ELECTRICIANS
 15, 17 & 19, ST. JOHN STREET, LONDON, E.C. 4
 TELEPHONE: 01-475 7444
 TELETYPE: 2448
 FAX: 01-475 7444

UNIT TITLE
MB1 AHB STUDIO 12

DRAWING TITLE
MONO MIC/LINE INPUT

NOTES
ALL DIMENSIONS IN MM
ALL OP-AMP'S T-1092
LAST R = R68
LAST C = C31
P-R AC-0157

TOLERANCES
GENERAL ±0.25 mm
HOLE CENTRES ±0.15 mm
HOLE SIZES ±0.10 mm

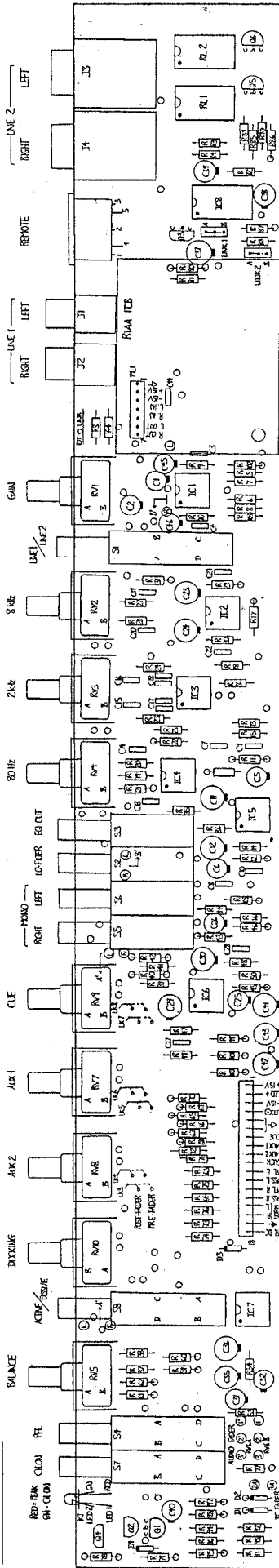
MATERIAL

STANDARD NOTES
ALL DIMENSIONS IN MM
DO NOT SCALE DRAWING
THIRD ANGLE PROJECTION
REMOVE ALL BURRS & SHARP EDGES

SCALE
AS SHOWN

REVISIONS

STEREO LINE INPUT PCB



GENERAL: RAA PCB SUBASSEMBLY

WHEN NOT FITTED, FIT RAA
 INSERT PLUG TO LINK (N1)
 TO IN1, AND IN1.5 TO
 IN7.

REMS PLACEMENT

GENERAL: CUE SWD

LINKS 7+8

GENERAL: AUX1 SWD

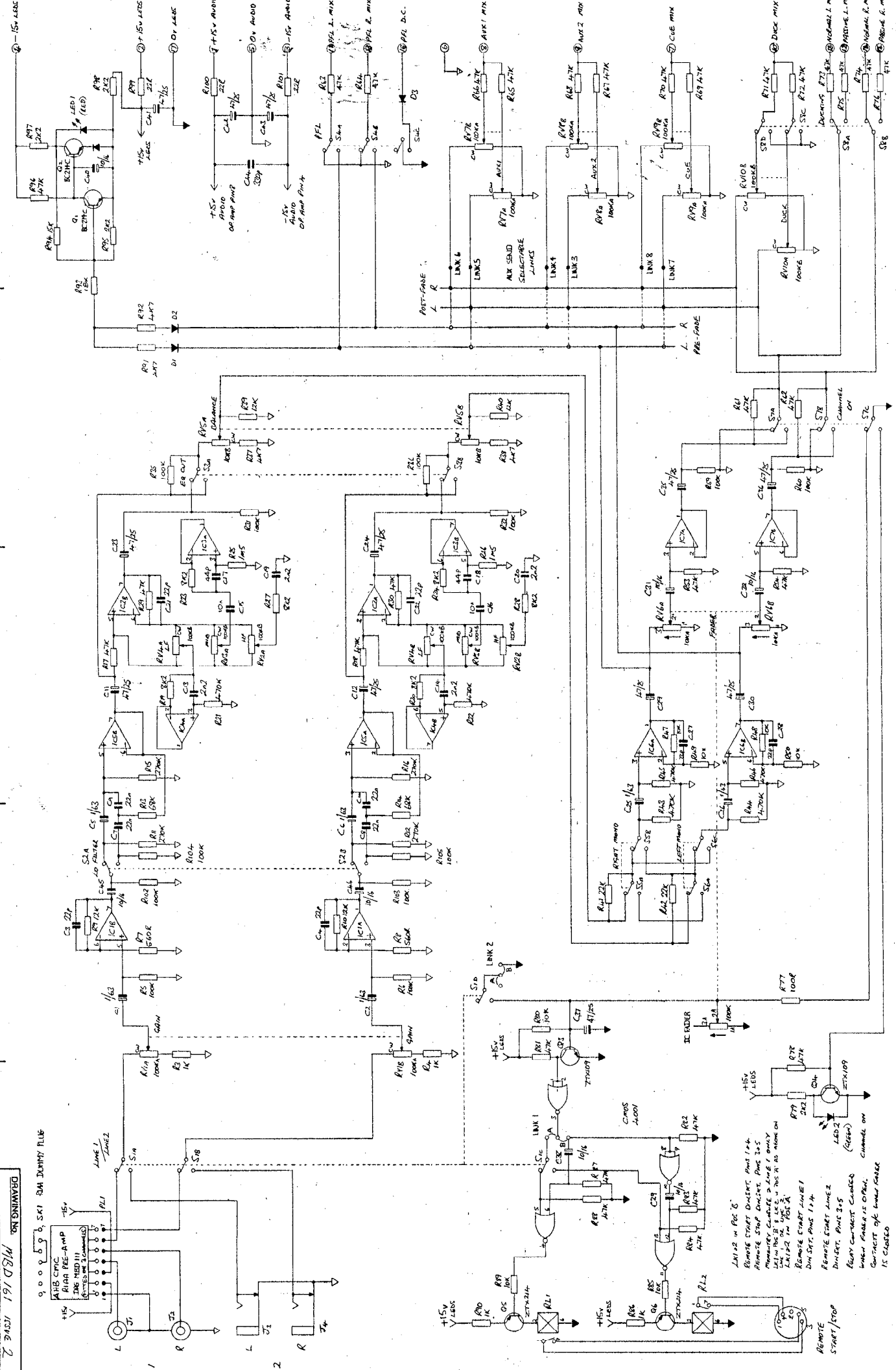
LINKS 5+4

GENERAL: AUX2 SWD

LINKS 3+4

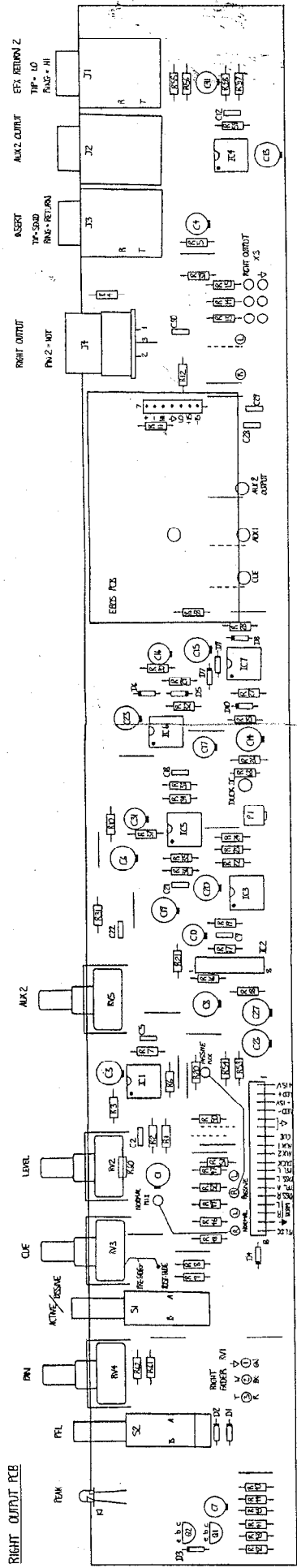
REI AIR STUDIO 12, STEREO LINE INPUT PCB, AG054, ISSUE 3

DRAWN BY CD 27-8-86

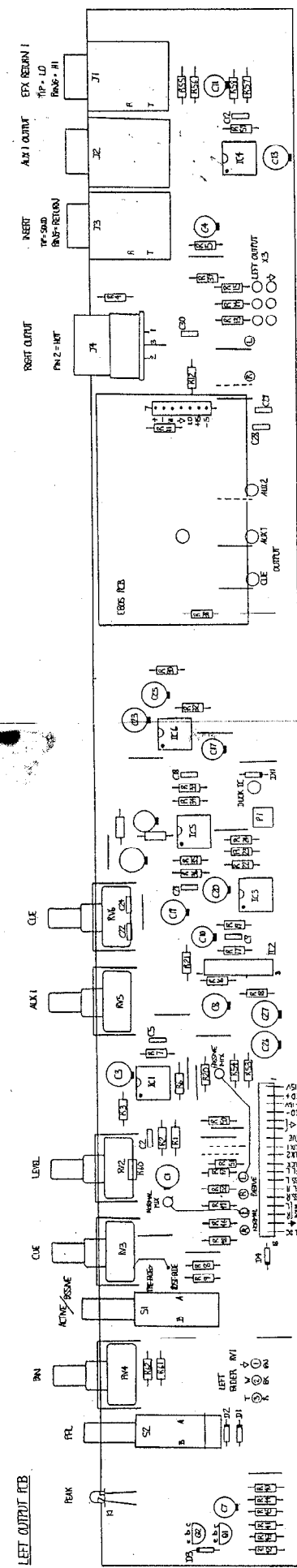


1A12 in PCB
 REMOVE START ONCE PWR 1+4
 REMOVE STOP ONCE PWR 2+5
 MOUNTER CHANGE A LINE 1 ONLY
 2+5 IN 2+5 LEAD IN 2+5 IN AS MOUNT ON
 LEAD IN PCB
 REMOVE START LINE 1
 DIM S+V PWR 1+4
 REMOVE STOP LINE 2
 DIMK+ PWR 2+5
 LEFT CONTACT CHANGED
 SWITCH CHANNEL IS OPEN
 CONTACT OF LOWER CHANNEL
 IS CLOSED

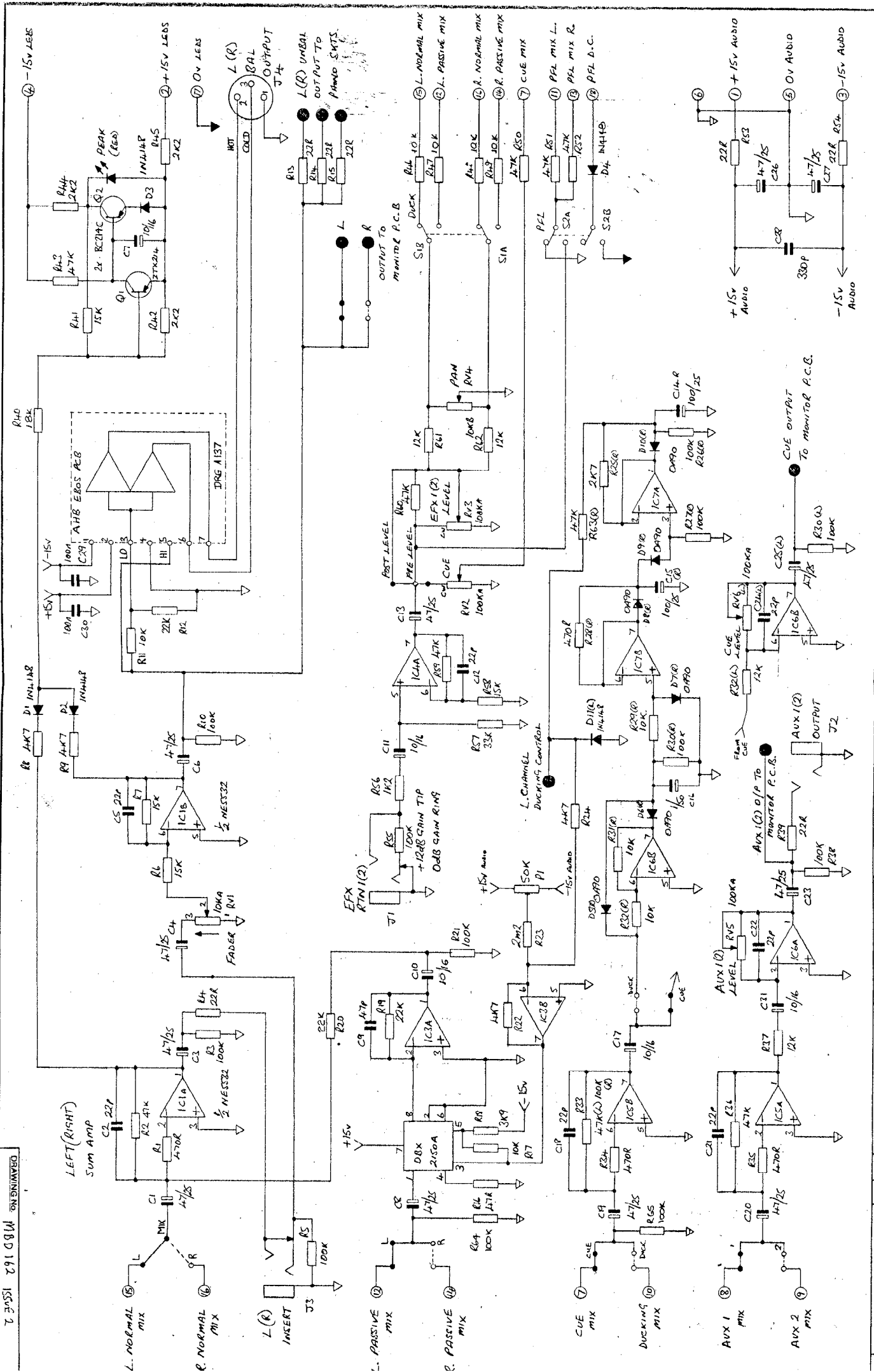
DRAWING No. MSO 161		ISSUE 2	
<p>ALLEN & HEATH BRENELL LTD MANUFACTURED AND SUPPORT MANUFACTURES DESIGN DEPT. 18, CAMP STREET, BIRMINGHAM B1 1UE TEL: 0121 223 3923 FAX: 0121 223 3928</p>		<p>AHB UNIT TITLE MBI/AHB STUDIO 12 DRAWING TITLE STEREO LINE INPUT</p>	
<p>NOTES ALL DIMENSIONS IN MILLIMETERS ALL OP. AMP. 741/072 RES. 2%, 5%, 10%, 5%, 1%, 0.5%, 0.1% CAP. 10%, 5%, 1%, 0.5%, 0.1%, 0.01% ALL PARTS TO BE CHECKED BY A.C.S.</p>		<p>TOLERANCES GENERAL ±0.25 mm HOLE CENTRES ±0.15 mm HOLE SIZES ±0.10 mm UNLESS STATED OTHERWISE</p>	
<p>MATERIAL</p>		<p>FINISH</p>	
<p>STANDARD NOTES ALL DIMENSIONS IN MILLIMETERS DO NOT SCALE DRAWING THIRD ANGLE PROJECTION REMOVE ALL BURRS & SHARP EDGES</p>		<p>SCALE</p>	
<p>CORRECTED ORIGINAL REVISION DATE PREPARED BY</p>		<p>DATE PREPARED BY</p>	



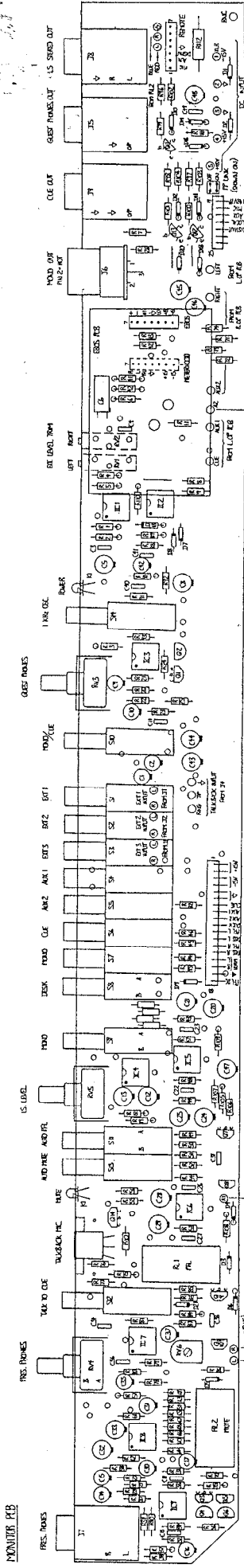
RIGHT OUTPUT PCB
 MEI AHS STUDIO 12 RIGHT OUTPUT PCB AGROSS ISSUE 2
 DRAWN BY CD2834Z
 OPTION: C1E SEND
 PARTS PLACEMENT



LEFT OUTPUT PCB
 MEI AHS STUDIO 12 LEFT OUTPUT PCB AGROSS ISSUE 2
 DRAWN BY CD2834Z
 OPTION: C1E SEND
 PARTS PLACEMENT



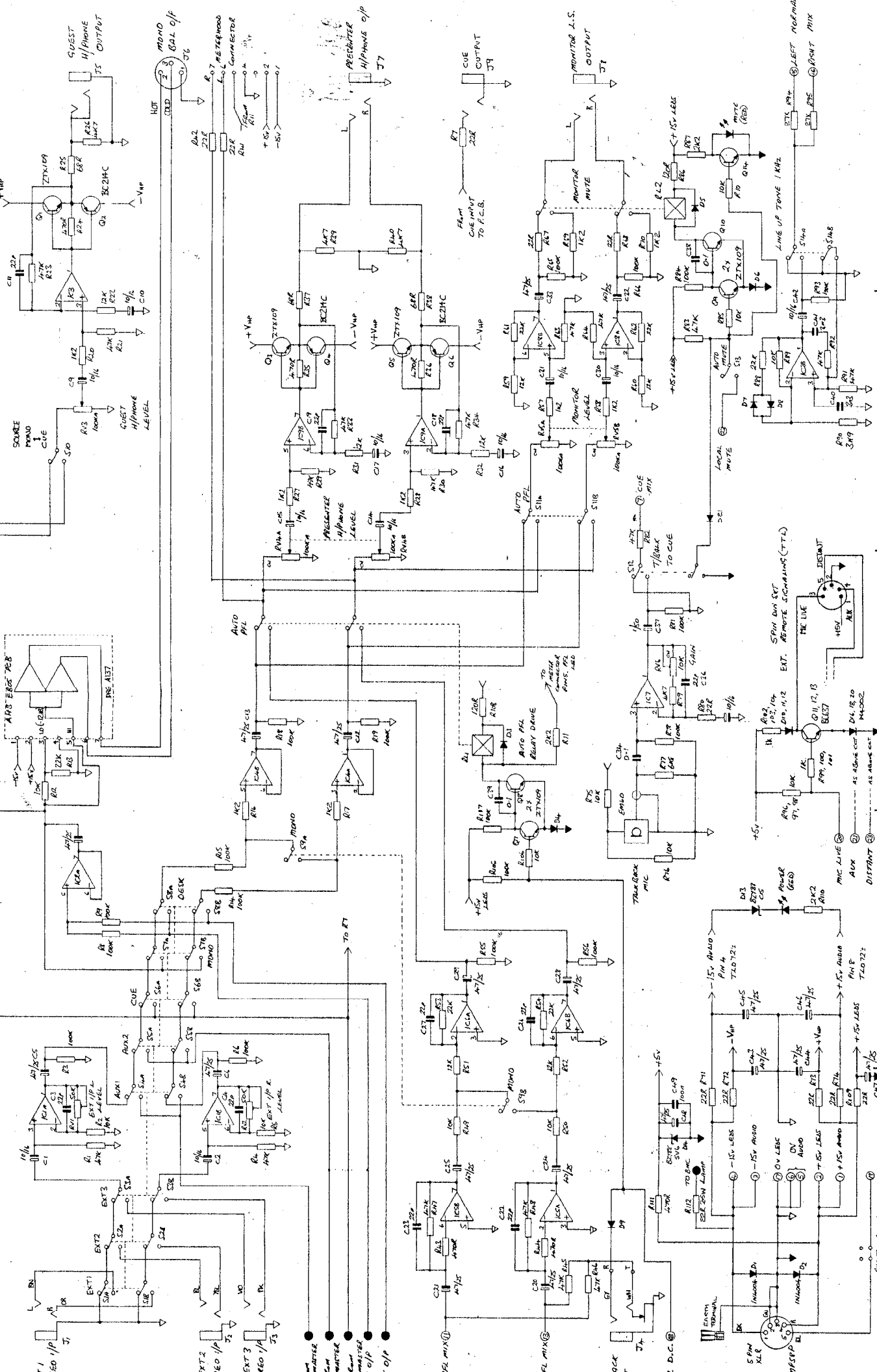
STANDARD NOTES	MATERIAL	TOLERANCES	FINISH	NOTES	UNIT TITLE	DATE	DESIGNED BY	CHECKED BY	SCALE	
ALL DIMENSIONS IN MM DO NOT SCALE DRAWING THIRD ANGLE PROJECTION REMOVE ALL BURRS & SHARP EDGES		GENERAL ±0.25 mm HOLE CENTRES ±0.15 mm HOLE SIZES ±0.10 mm		ALL OTHERS T102CP EXCEPT IC1 R32(R) ON RIGHT PCB ONLY... ETC R32(L) ON LEFT PCB ONLY... ETC L487 = C-30 LAST R = R65 SEE AC015B	M81 AHB STUDIO 12 LEFT / RIGHT OUT PUT		ALLEN HEATH BRENNELT PROFESSIONAL AUDIO EQUIPMENT MANUFACTURERS "DESIGN WITH US" 3051 STREET, BOSTON MA 02126 FACTORY ADDRESS: 1000 W. 10TH AVENUE, DENVER, CO 80202			
					MBD 162					



MONITOR PCB
 PRES. INDEX
 TAX TO GIE
 W/BACK PC
 MAX
 AND THE AND PR
 IS LUD
 TDD
 DESK TDD
 AM2 AM1 DTS
 EXT1
 EXT2
 EXT3
 EXT4
 EXT5
 EXT6
 EXT7
 EXT8
 EXT9
 EXT10
 EXT11
 EXT12
 EXT13
 EXT14
 EXT15
 EXT16
 EXT17
 EXT18
 EXT19
 EXT20
 EXT21
 EXT22
 EXT23
 EXT24
 EXT25
 EXT26
 EXT27
 EXT28
 EXT29
 EXT30
 EXT31
 EXT32
 EXT33
 EXT34
 EXT35
 EXT36
 EXT37
 EXT38
 EXT39
 EXT40
 EXT41
 EXT42
 EXT43
 EXT44
 EXT45
 EXT46
 EXT47
 EXT48
 EXT49
 EXT50
 GASE INKES
 1 KR OSC
 RUBER
 SE (USE) RPM
 HOLD OFF
 PULSE OFF
 CLE DAT
 GASE INKES OUT
 1.5 SHROD OUT
 MONITOR PCB
 PARTS PLACEMENT
 GENERAL: THROUGH HOLE MOUNT
 PRES. INDEX
 TAX TO GIE
 W/BACK PC
 MAX
 AND THE AND PR
 IS LUD
 TDD
 DESK TDD
 AM2 AM1 DTS
 EXT1
 EXT2
 EXT3
 EXT4
 EXT5
 EXT6
 EXT7
 EXT8
 EXT9
 EXT10
 EXT11
 EXT12
 EXT13
 EXT14
 EXT15
 EXT16
 EXT17
 EXT18
 EXT19
 EXT20
 EXT21
 EXT22
 EXT23
 EXT24
 EXT25
 EXT26
 EXT27
 EXT28
 EXT29
 EXT30
 EXT31
 EXT32
 EXT33
 EXT34
 EXT35
 EXT36
 EXT37
 EXT38
 EXT39
 EXT40
 EXT41
 EXT42
 EXT43
 EXT44
 EXT45
 EXT46
 EXT47
 EXT48
 EXT49
 EXT50
 GASE INKES
 1 KR OSC
 RUBER
 SE (USE) RPM
 HOLD OFF
 PULSE OFF
 CLE DAT
 GASE INKES OUT
 1.5 SHROD OUT
 MONITOR PCB
 PARTS PLACEMENT
 GENERAL: THROUGH HOLE MOUNT

MONITOR PCB
 PRES. INDEX
 TAX TO GIE
 W/BACK PC
 MAX
 AND THE AND PR
 IS LUD
 TDD
 DESK TDD
 AM2 AM1 DTS
 EXT1
 EXT2
 EXT3
 EXT4
 EXT5
 EXT6
 EXT7
 EXT8
 EXT9
 EXT10
 EXT11
 EXT12
 EXT13
 EXT14
 EXT15
 EXT16
 EXT17
 EXT18
 EXT19
 EXT20
 EXT21
 EXT22
 EXT23
 EXT24
 EXT25
 EXT26
 EXT27
 EXT28
 EXT29
 EXT30
 EXT31
 EXT32
 EXT33
 EXT34
 EXT35
 EXT36
 EXT37
 EXT38
 EXT39
 EXT40
 EXT41
 EXT42
 EXT43
 EXT44
 EXT45
 EXT46
 EXT47
 EXT48
 EXT49
 EXT50
 GASE INKES
 1 KR OSC
 RUBER
 SE (USE) RPM
 HOLD OFF
 PULSE OFF
 CLE DAT
 GASE INKES OUT
 1.5 SHROD OUT
 MONITOR PCB
 PARTS PLACEMENT
 GENERAL: THROUGH HOLE MOUNT

DRAWING NO. MBD 163 ISSUED 2



DATE	REVISION	SCALE

STANDARD NOTES
 ALL DIMENSIONS IN MM
 DO NOT SCALE DRAWING
 THIRD ANGLE PROJECTION
 REMOVE ALL BURRS & SHARP EDGES

MATERIAL
 AS ABOVE
 AS ABOVE
 AS ABOVE
 AS ABOVE
 AS ABOVE

TOLERANCES
 GENERAL ±0.25 mm
 HOLE CENTRES ±0.15 mm
 HOLE SIZES ±0.10 mm

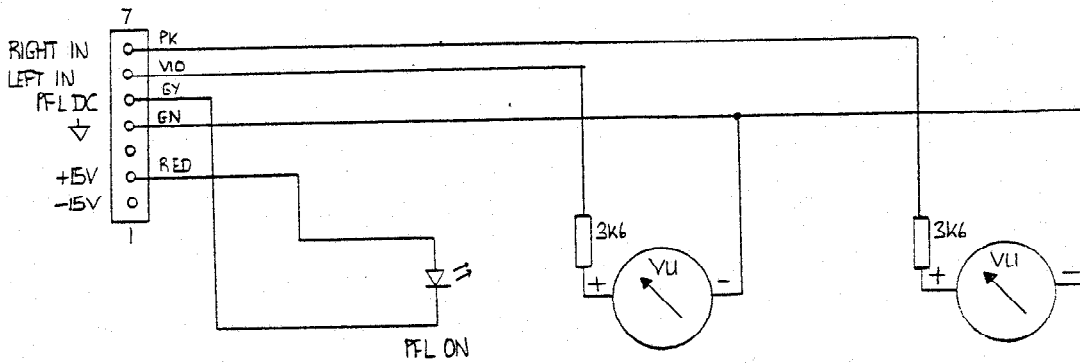
FINISH
 UNLESS STATED OTHERWISE
 PCB AC 0159

NOTES
 ALL VOLTAGE LEVELS ALL DIMENSIONS IN MM
 EXCEPT D1, D2, D3, D4, D5, D6
 0-5V UNLESS OTHERWISE SPECIFIED
 WIRE LINK CONNECTION TO OTHER
 P.C.B. BY MEANS OF CONNECTION

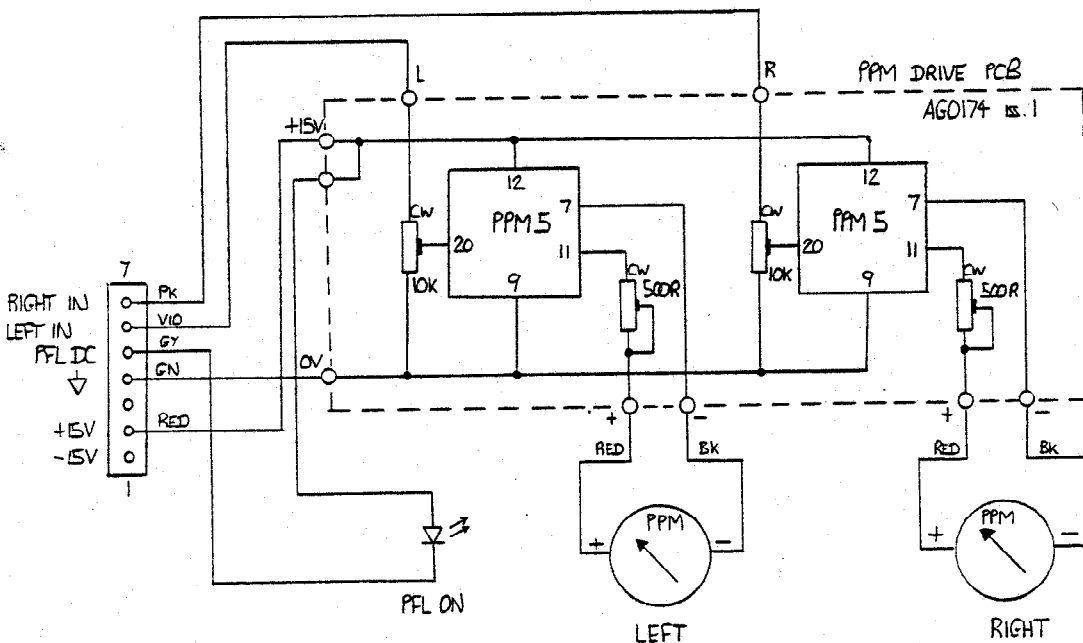
UNIT TITLE
MBI/ AHB Studio 12
DRAWING TITLE
MONITOR MODULE

DRAWING NO. MBD 163
ISSUE 2

AHB
ALLEN & HEATH
PROFESSIONAL AUDIO EQUIPMENT
 MANUFACTURERS
 DESIGN DEPT. 69 SHIP STREET, BIRMINGHAM B4 7ME
 FACTORY SERVICE INDUSTRIAL EST. PENYRHO, CORNWALL PL20 2SD
 WALTERS 2478

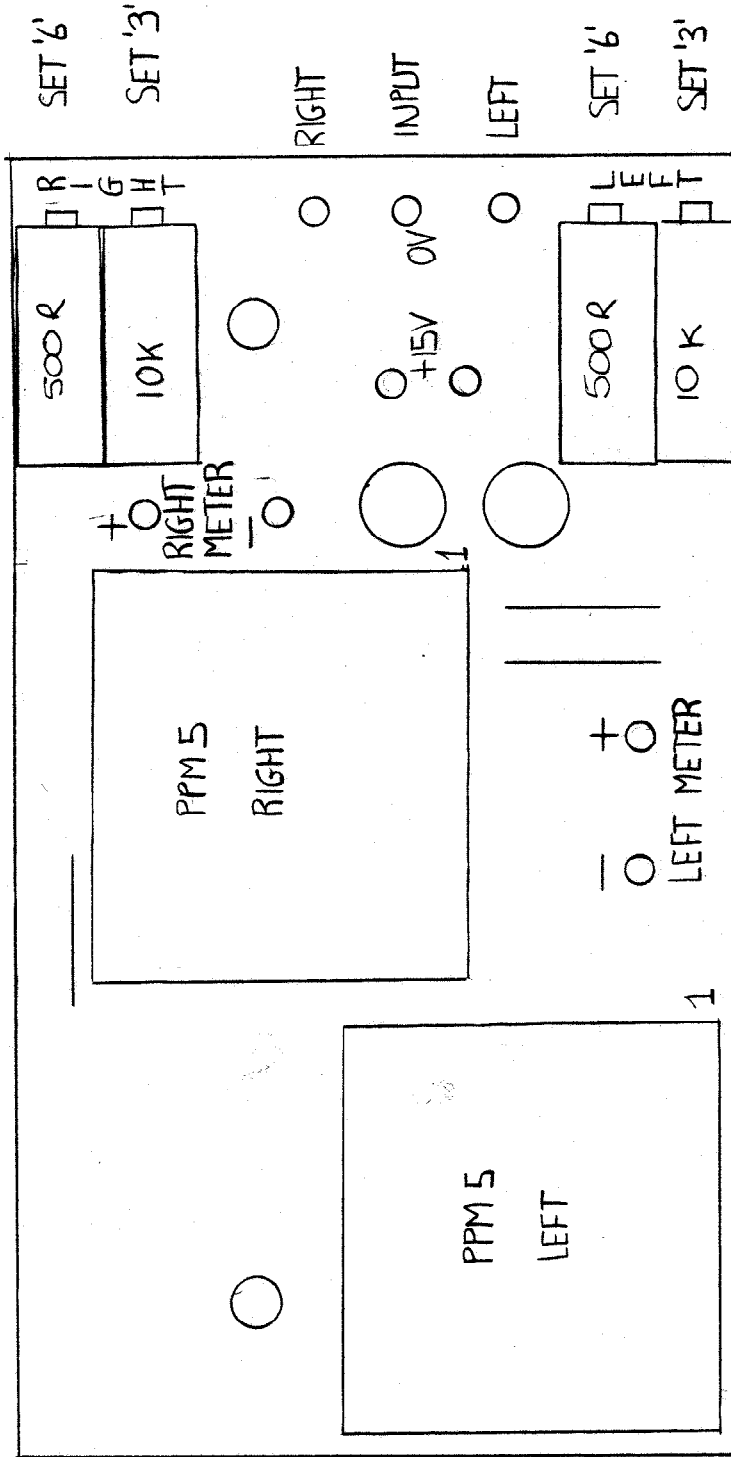


AHB ALLEN & HEATH BRENNELL LTD PROFESSIONAL AUDIO EQUIPMENT MANUFACTURERS DESIGN DEPT. 89, SHIP STREET, BRIGHTON BN1 1AE Tel 03273 24938 FACTORY: KERNOCK INDUSTRIAL EST. PENRYN, CORNWALL Tel 03264 72070	TITLE	MBI AHB STUDIO 12 METERPOD - VU VERSION	
	DRAWING No.	A141	ISSUE 1
	DRAWN BY	CD28-8-86	DRG. No. A141 ISS 1



AHB ALLEN & HEATH BRENNELL LTD PROFESSIONAL AUDIO EQUIPMENT MANUFACTURERS DESIGN DEPT. 89, SHIP STREET, BRIGHTON BN1 1AE Tel 03273 24938 FACTORY: KERNOCK INDUSTRIAL EST. PENRYN, CORNWALL Tel 03264 72070	TITLE	MBI AHB STUDIO 12 METERPOD - PPM VERSION	
	DRAWING No.	A140	ISSUE 2
	DRAWN BY	CD28-8-86	DRG. No. A140 ISS 2

PPM METER PCB



MBI AHB STUDIO 12 PPM METER PCB AGO174 ISSUE 1 PARTS PLACEMENT 2:1

DRAWN CD19-8-86

AHB

ALLEN & HEATH BRENNELL LTD.

PROFESSIONAL AUDIO EQUIPMENT
MANUFACTURERS

DESIGN DEPT 69, SHIP STREET, BRIGHTON BN1 1AE

Tel (0273) 24928

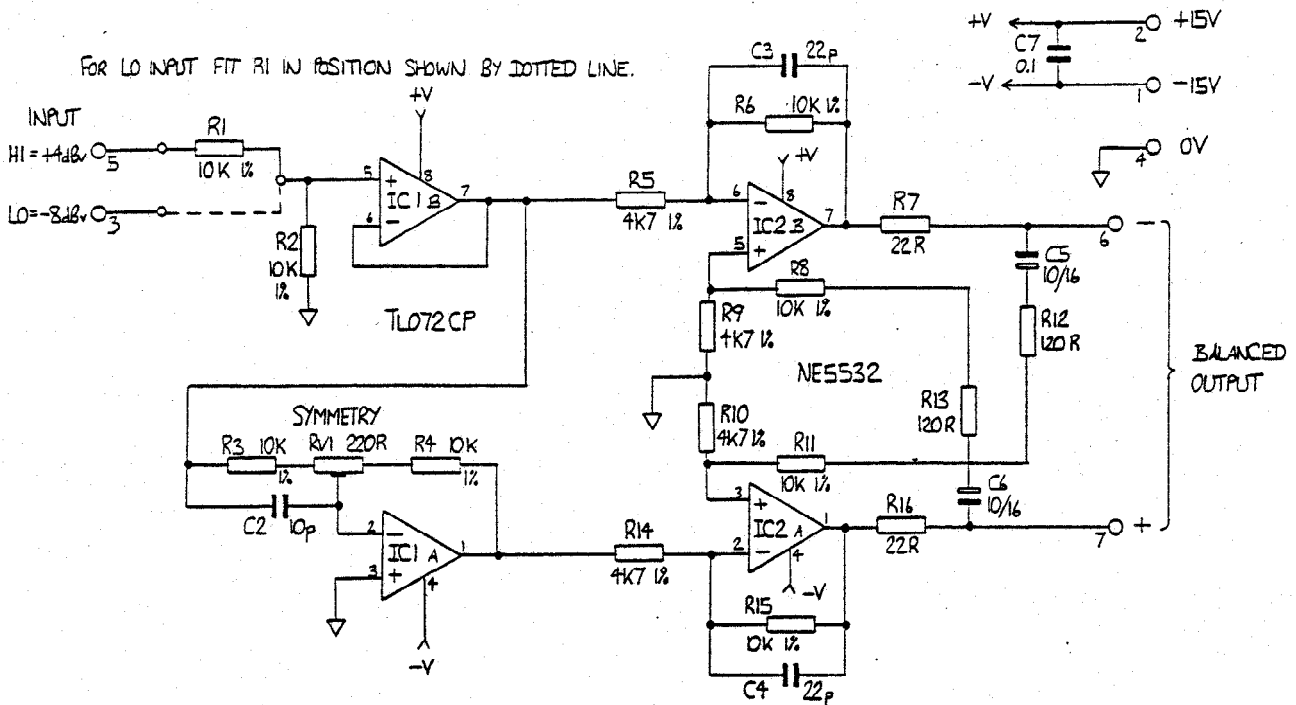
FACTORY KERNICK INDUSTRIAL EST, PENRYN, CORNWALL. Tel (0326) 72070

DRAWING No. BW215

Issue 1

ALL RESISTORS ARE 1/4 WATT 5% UNLESS MARKED OTHERWISE

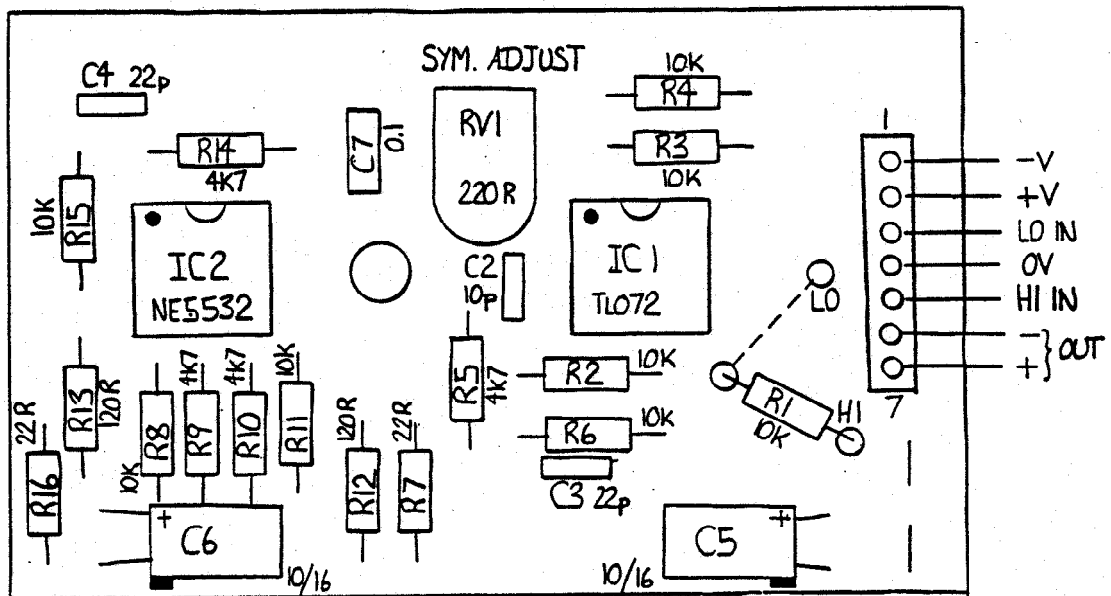
FOR LO INPUT FIT R1 IN POSITION SHOWN BY DOTTED LINE.



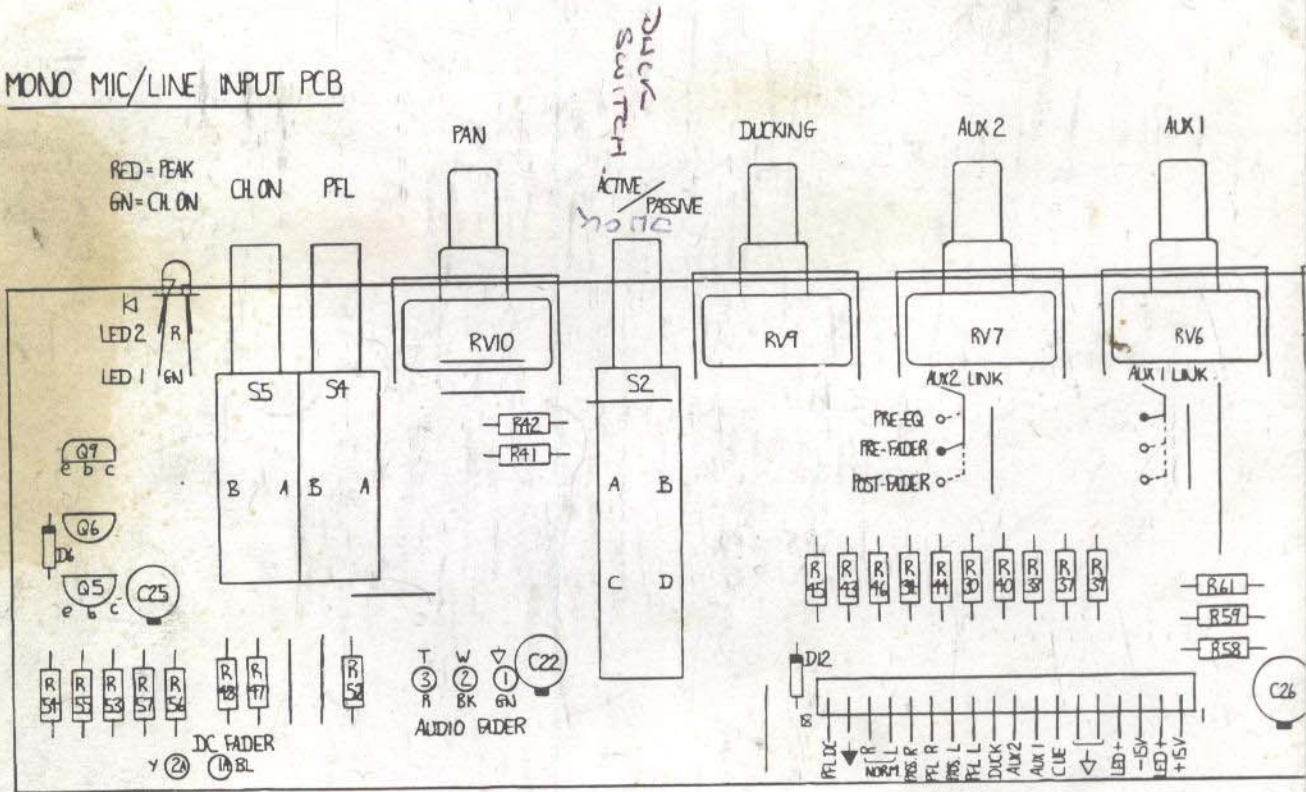
AHB ALLEN & HEATH SPENGL LTD
 PROFESSIONAL AUDIO EQUIPMENT
 MANUFACTURERS
 DESIGN DEPT. 945-11P STREET, BRIGHTON BN1 1AE TEL 0273 21626
 FACTORY: KERRICK INDUSTRIAL EST, PLUMPH, COVINGHAM, WILTENHAM 72200
 DRAWING No. A137 Issue 2

TITLE EBOS - OPTION PCB CIRCUITS PCB TYPE AG0117 ISSUE 2
 ELECTRONICALLY BALANCED OUTPUT SYSTEM
 DRAWN BY CD 29-7-86
 DRG.No. A137 ISSUE 2

EBOS COMPONENT SIDE AG0117 ISSUE 2

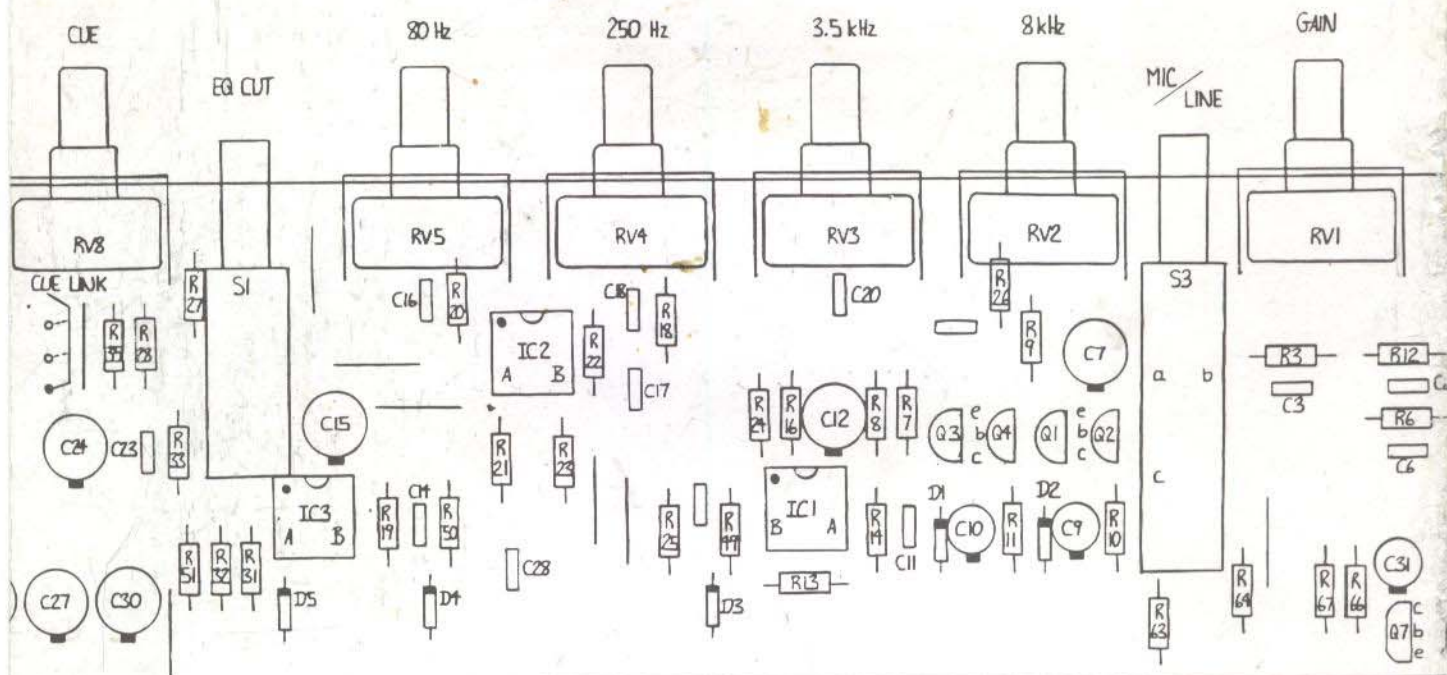


MONO MIC/LINE INPUT PCB



MBI AHB STUDIO 12 MONO MIC/LINE INPUT PCB AG0157 ISSUE 2

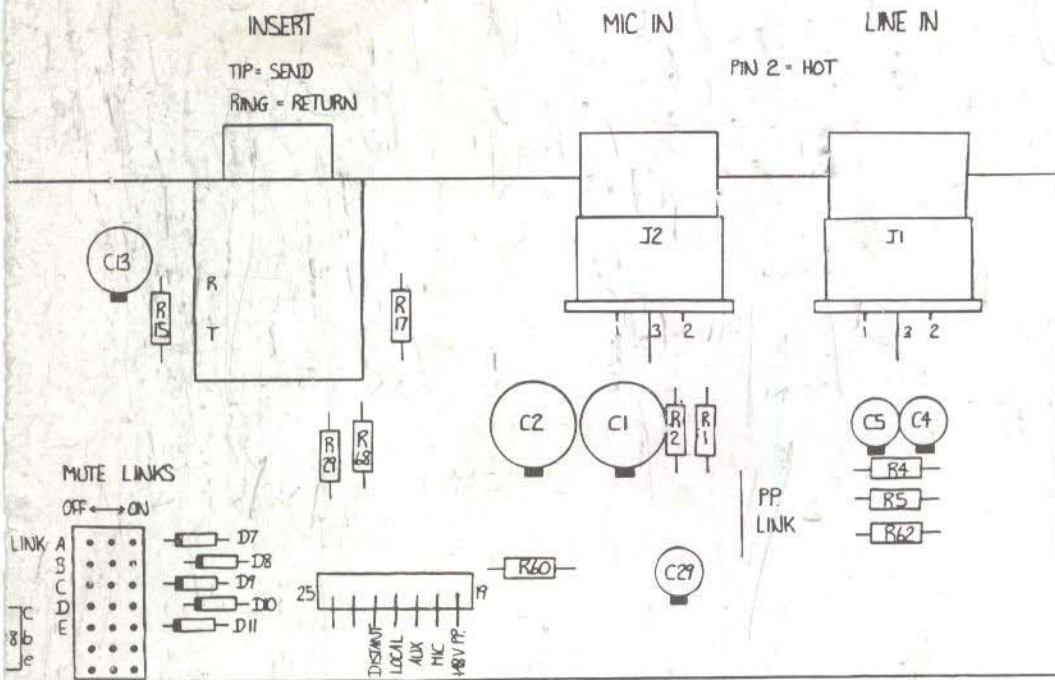
OPTIONS: AUX 2, AUX 1, C



QUE SENDS

PARTS PLACEMENT

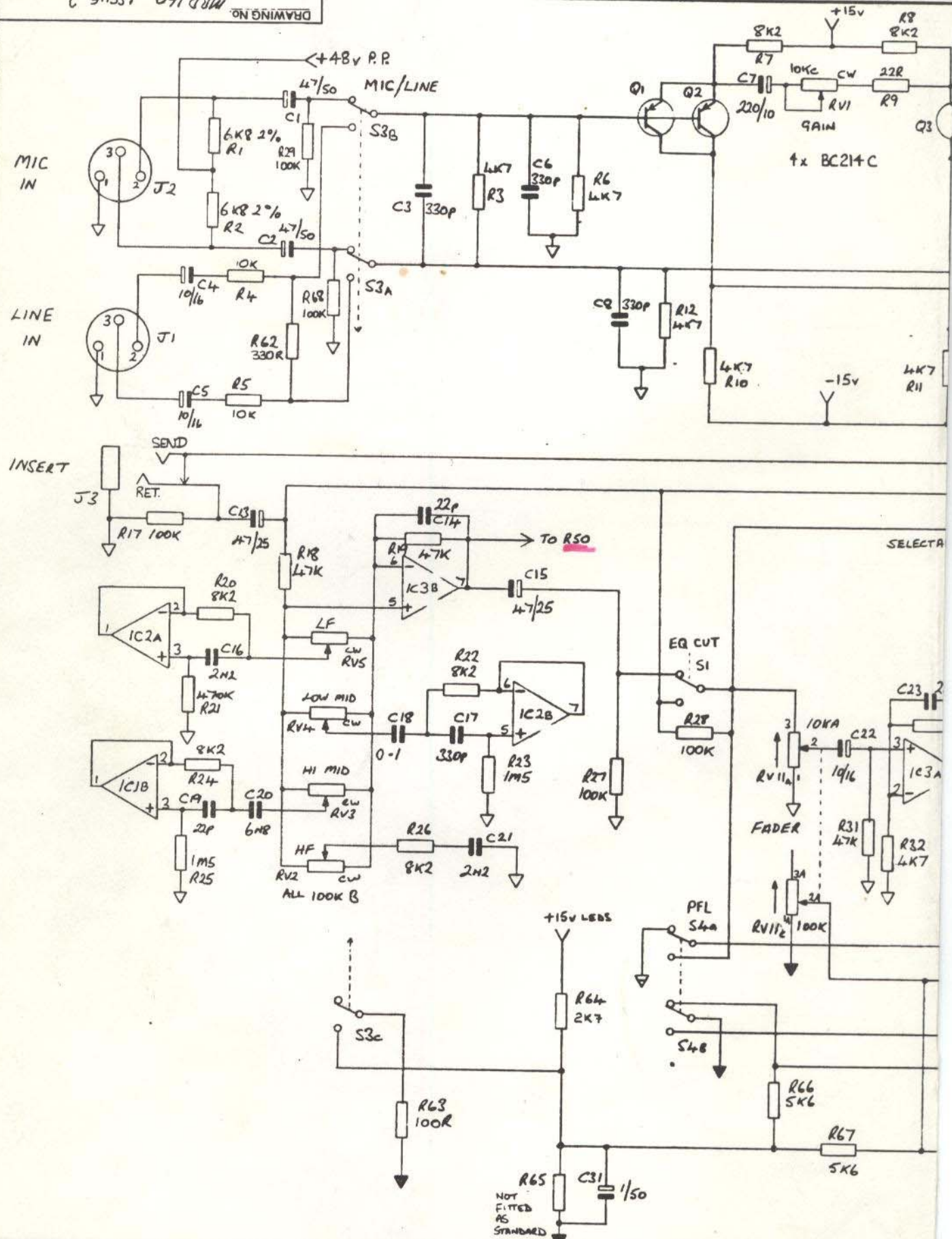
DRAWN BY CD28-886



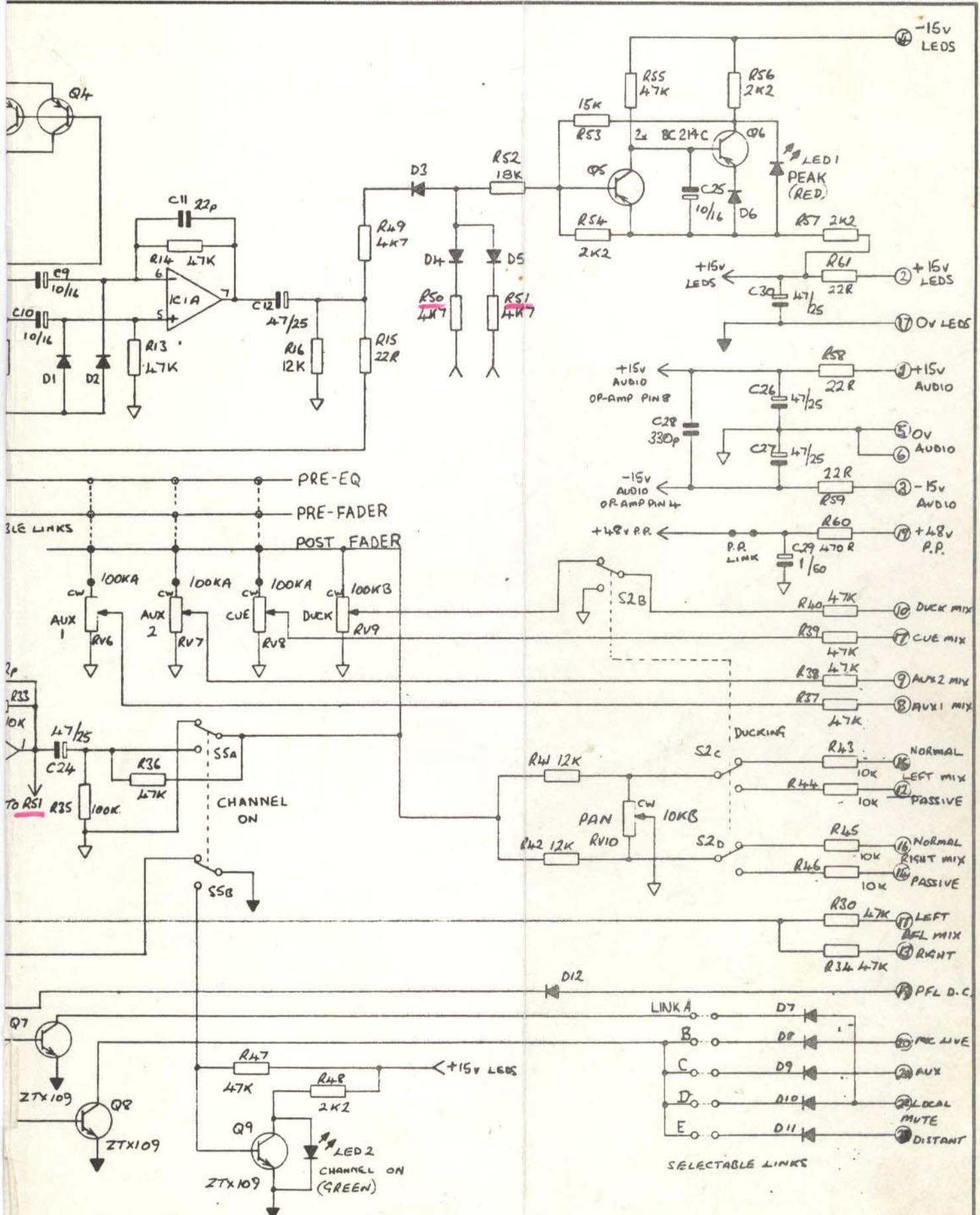
OPTIONS : MUTE LINKS

OPTION : PHANTOM POWER LINK

DRAWING NO. M8D160 15CIVE 2

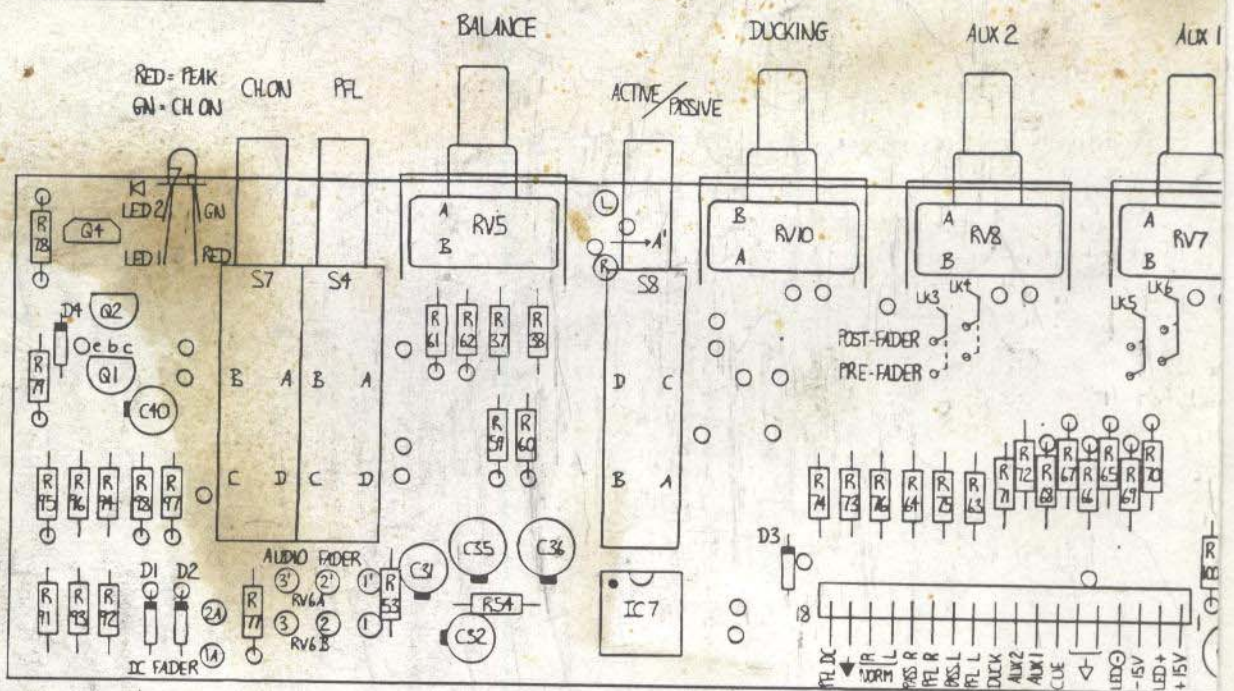


STANDARD NOTES			MATERIAL			TOLERANCES		
ALL DIMENSIONS IN mm						GENERAL ±0.25 mm		
DO NOT SCALE DRAWING						HOLE CENTRES ±0.15 mm		
THIRD ANGLE PROJECTION						HOLE SIZES ±0.10 mm		
REMOVE ALL BURRS & SHARP EDGES								
SCALE								
DATE	REVISION	CHECKED				UNLESS STATED OTHERWISE		
2/1/74	1	7/1/74 GML						
2/1/74	2	2/1/74 GML						



NISH	NOTES	UNIT TITLE	AHB ALLEN & HEATH GREENHILL LTD PROFESSIONAL AUDIO EQUIPMENT MANUFACTURERS DESIGN DEPT. 40 SHIP STREET, GREENHILL, BRISTOL G4 0LE TELEPHONE 0275 2222 FACTORY SERVICES: BRISTOL, EST. PORTHOLE, GREENHILL, TEL. 0275 2210 DRAWING No. MBD 160 Issue 2
	ALL DIODES IN 4148 ALL OP-AMPS TL072 LAST R = R68 LAST C = C31 PCB AG0157	MB1 AHB STUDIO 12 DRAWING TITLE MONO MIC/LINE INPUT	

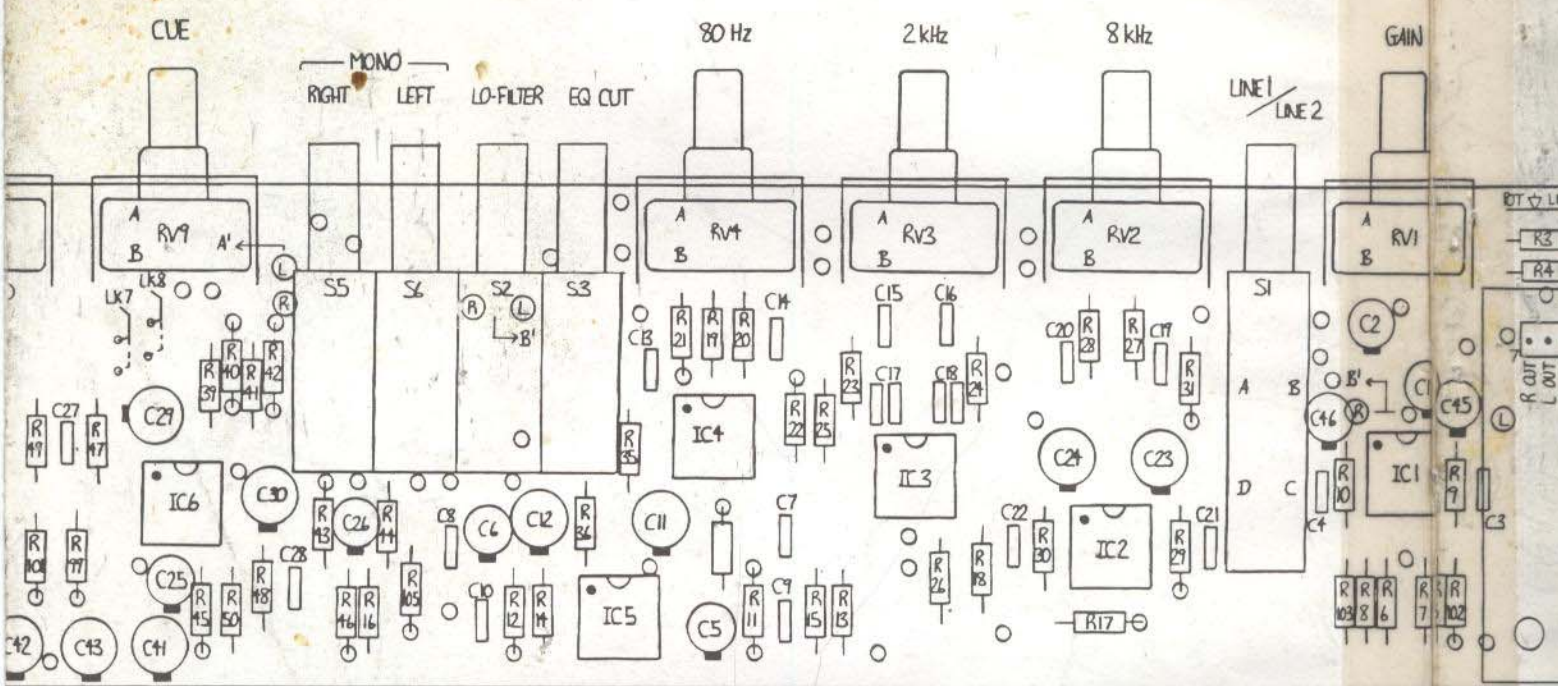
STEREO LINE INPUT PCB



OPTION: AUX2 SEND LINKS 3+4 OPTION: AUX1 LINKS

MBIAHB STUDIO 12 STEREO LINE INPUT PCB AG0156 ISSUE 3

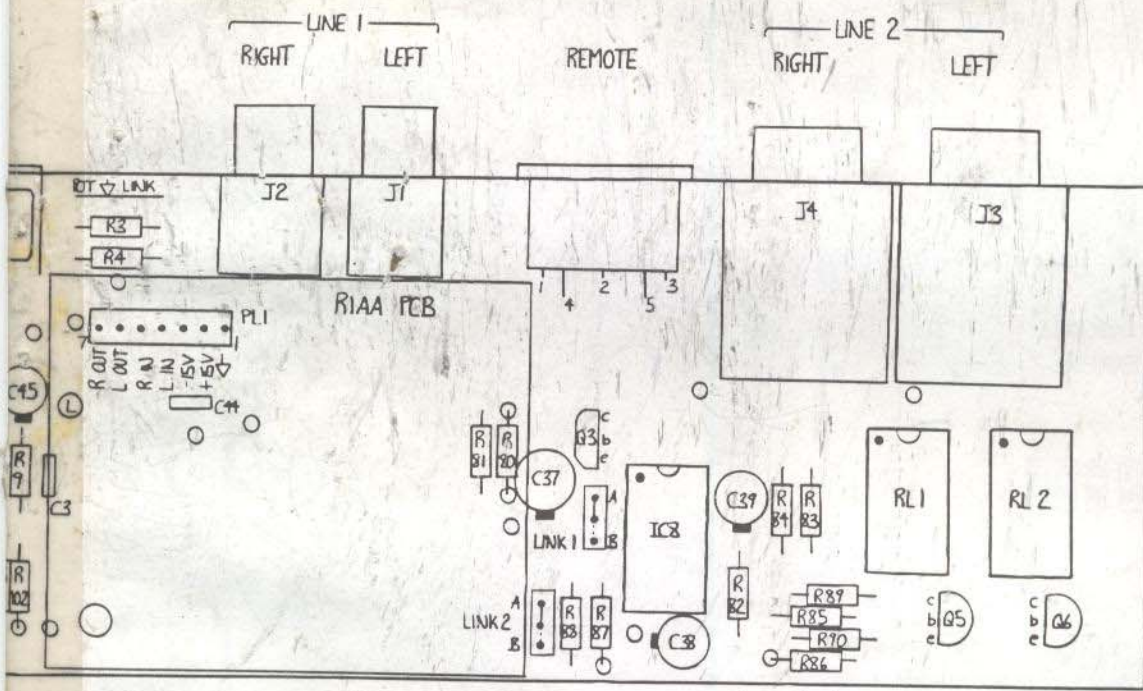
DRAWN BY CD 27-8-86



SEND 5+6
 OPTION: CUE SEND
 LINKS 7+8

PARTS PLACEMENT

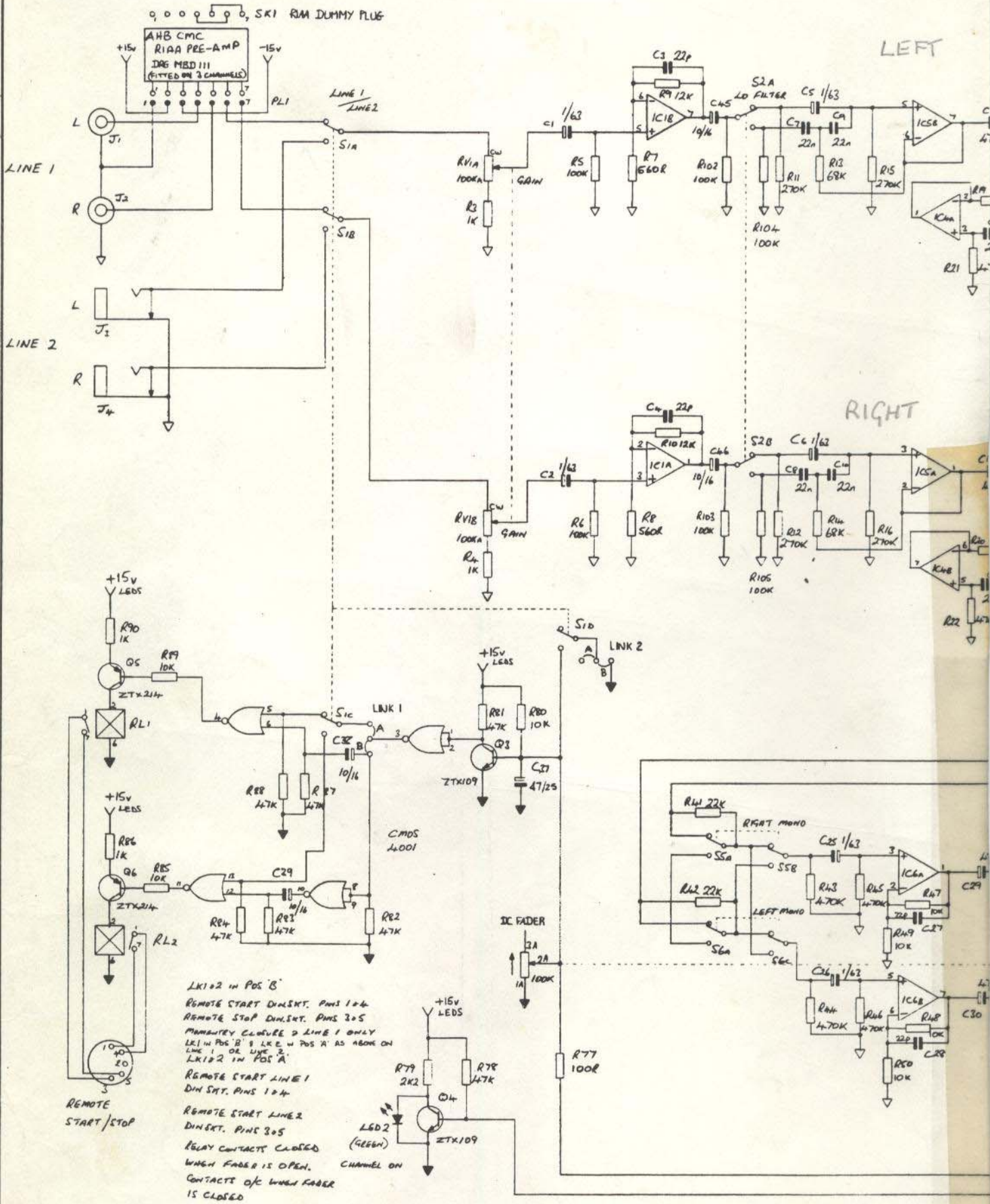
OPTION: R
 WHEN
 DUMMY
 TO PIN
 PIN 7.



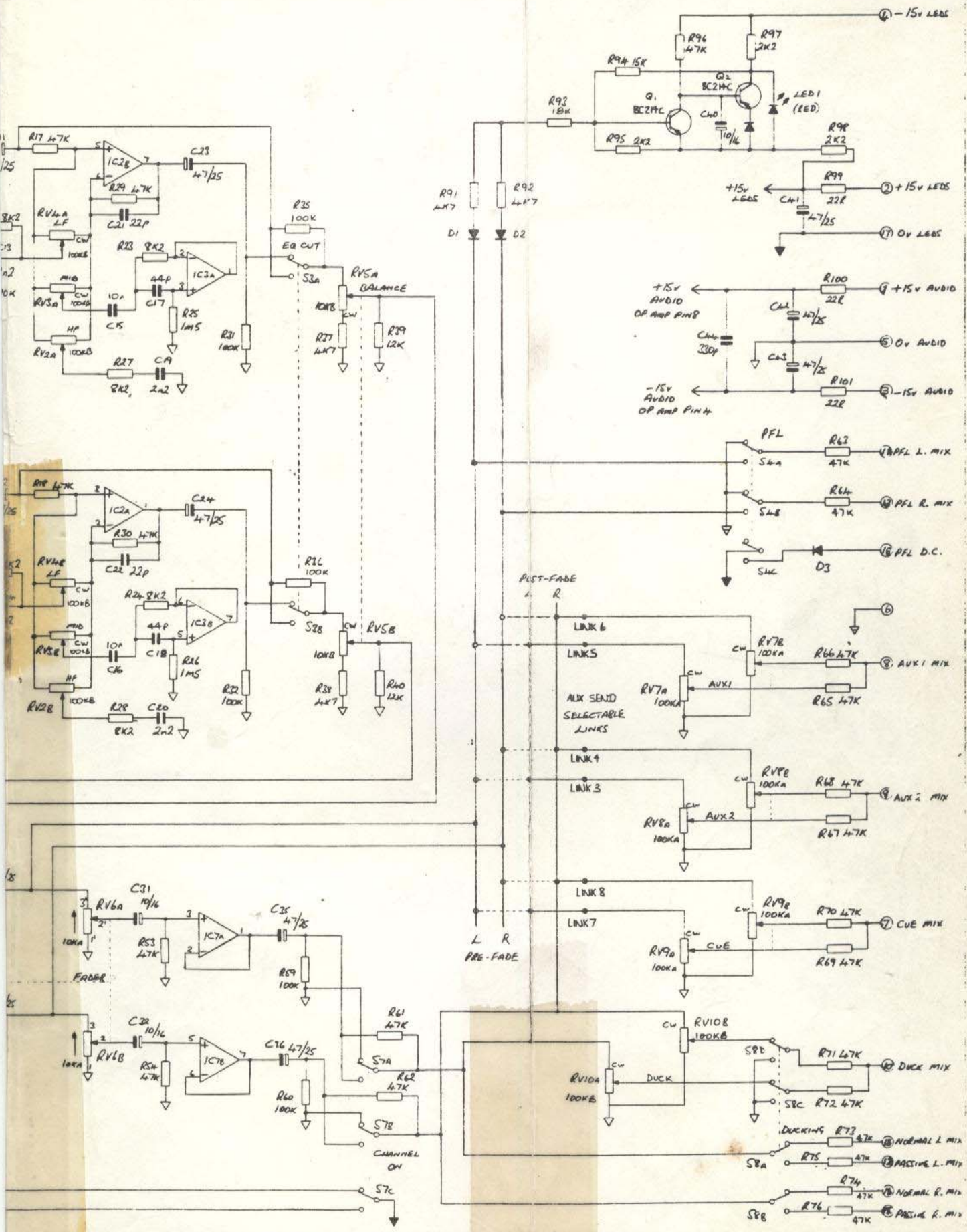
OPTION: RIAA PCB SUB-ASSEMBLY

OPTION: REMOTE START/STOP

WHEN NOT FITTED, FIT RIAA
DUMMY PLUG TO LINK PIN 4
TO PIN 6 AND PIN 5 TO
PIN 7.



DATE	REVISION	DATE	CHECKED
2/7/88	UPDATES	1/4/16	GMB
	ORIGINAL		GMB



NOTES
 ALL DIODES IN L.H.P.
 ALL OP-AMPS TL072
 R33, 34, 51, 52, 55, 56, 57, 58, C33, 34 NOT FITTED
 LASTYR = R105
 LASTC = C46
 AG 0156

UNIT TITLE
 MBI AHB STUDIO 12

DRAWING TITLE
 STEREO LINE INPUT

AHB ALLEN & HEATH BRENNELL LTD
 PROFESSIONAL AUDIO EQUIPMENT MANUFACTURERS

DESIGN DEPT. 88 SHIP STREET, BRIGHTON BN1 1AE TEL 0273 26333
 FACTORY: KERNICK INDUSTRIAL EST. PENYTH, CORNWALL. TEL 0326 72070

DRAWING No MBD 161 **ISSUE** 2