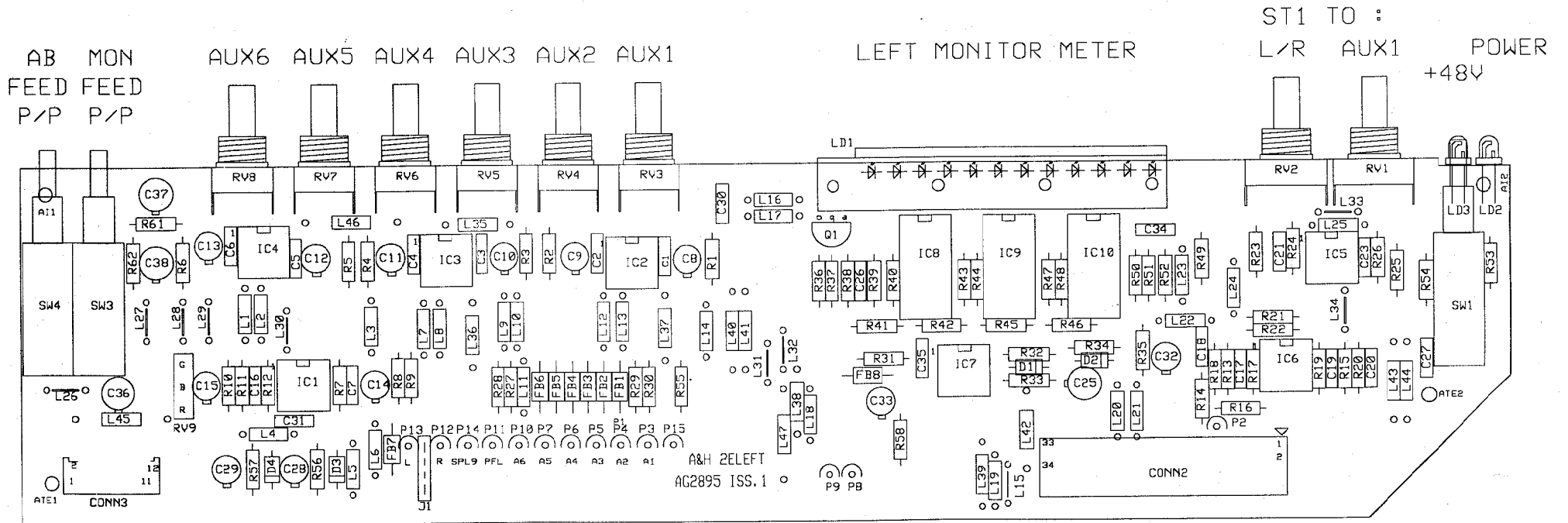


ISS.	REVISION	BY	DATE	NOTES
A	ORIGIN	ARC	20/01/97	1. RESISTORS MARKED # ARE 1%
B	UP ISSUE	DWD	06/02/97	2. ALL STUDS ARE 50/100 UNLESS OTHERWISE MARKED
C	VALUE CHANGES	DWD	14/02/97	3. DECAUPLING CAPACITORS ARE #40L15
1	PRODUCTION	DWD	13/03/97	3. DO NOT MODIFY THIS Ckt. WITHOUT REFERENCE TO OTHER MEMO INPUT Ckts.

UNIT TITLE: 2E-M
 DRAWING TITLE: INPUT CIRCUIT DIAGRAM
 PCB TYPE: AG2894

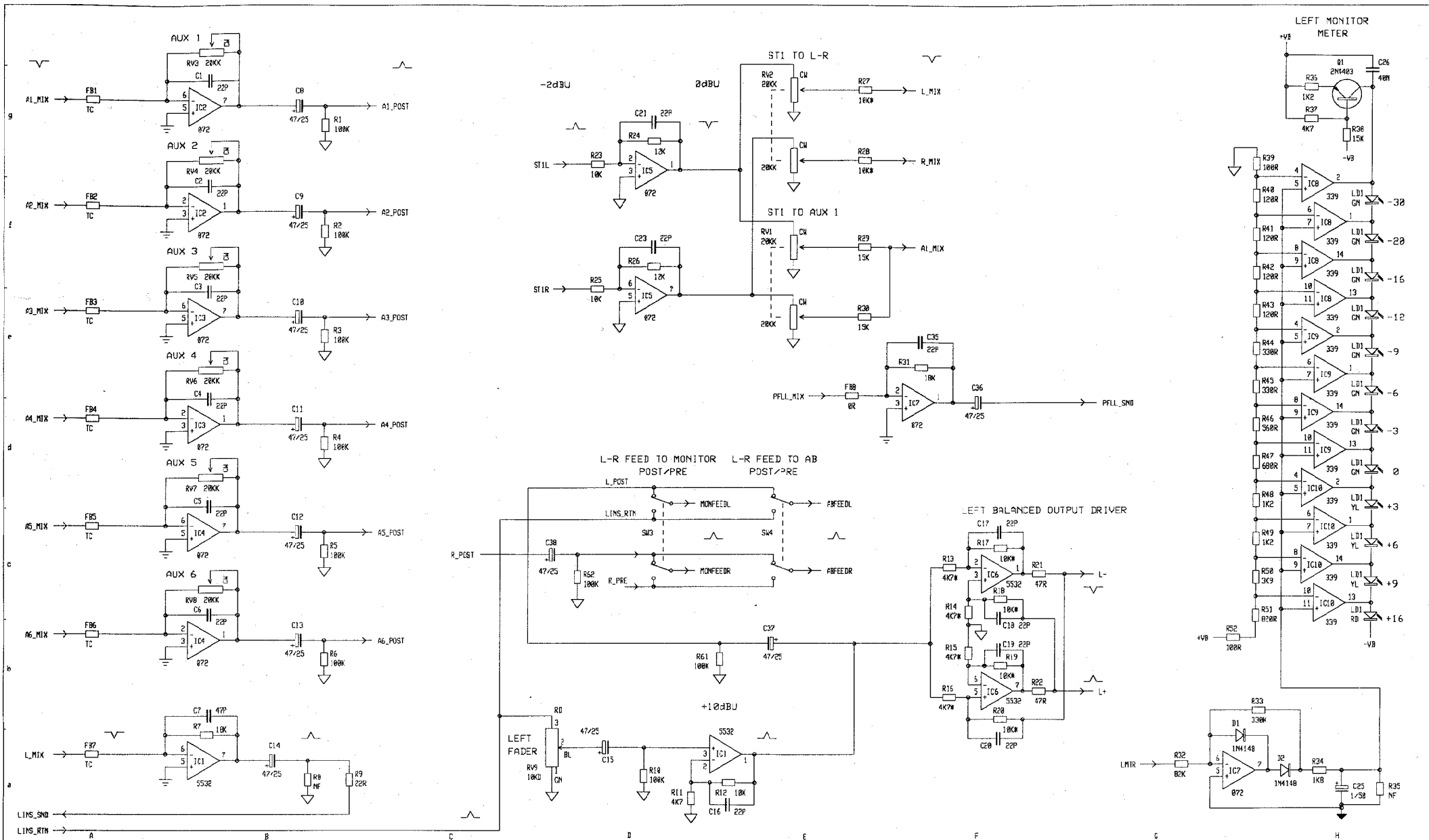
MANUFACTURED IN ENGLAND BY: ALLEN & HEATH	R/2316	A1
DRAWING No. C2894	ISSUE 1	



FLEXI TO RIGHT

TC BUS

34 WAY TO RIGHT AND CONNECTOR PCB



ISS.	REVISION	BY	DATE
A	DRIGIN	DLP	24/01/97
B	RE DESIGN	DRP	07/02/97
1	PRODUCTION	DWD	13/03/97

NOTES

1. RESISTORS MARKED 4 ARE 1% ALL OTHERS ARE 5% 1/4W UNLESS OTHERWISE MARKED
2. ELECTROLYTIC CAPACITORS ARE µF/VO.LTS

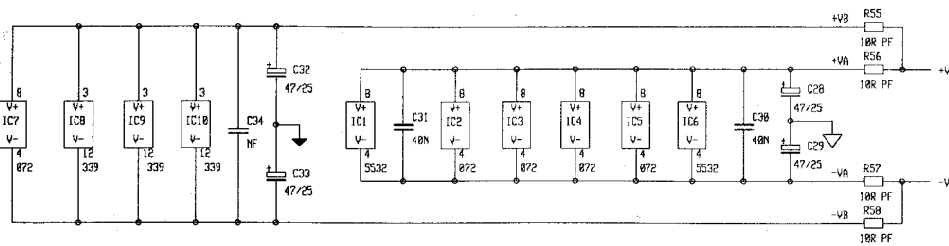
UNIT TITLE
2E-M
SHEET 1 OF 2

DRAWING TITLE
LEFT PCB
PCB TYPE AC2895

MANUFACTURED IN ENGLAND BY
RC316

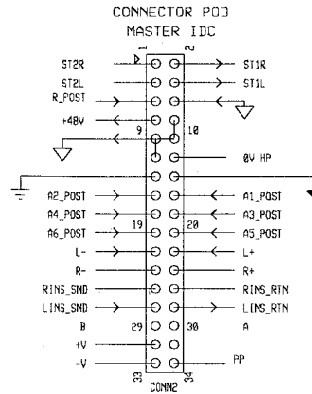
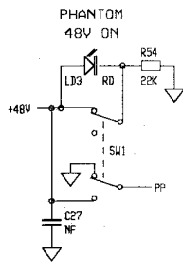
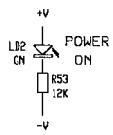
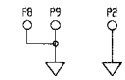
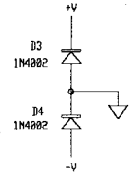
ALLEN & HEATH

DRAWING No. C2895 ISSUE 1

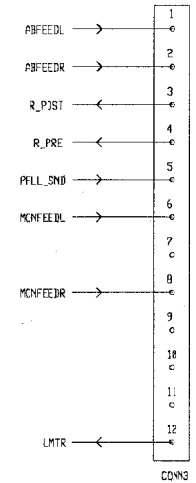


TC BUS

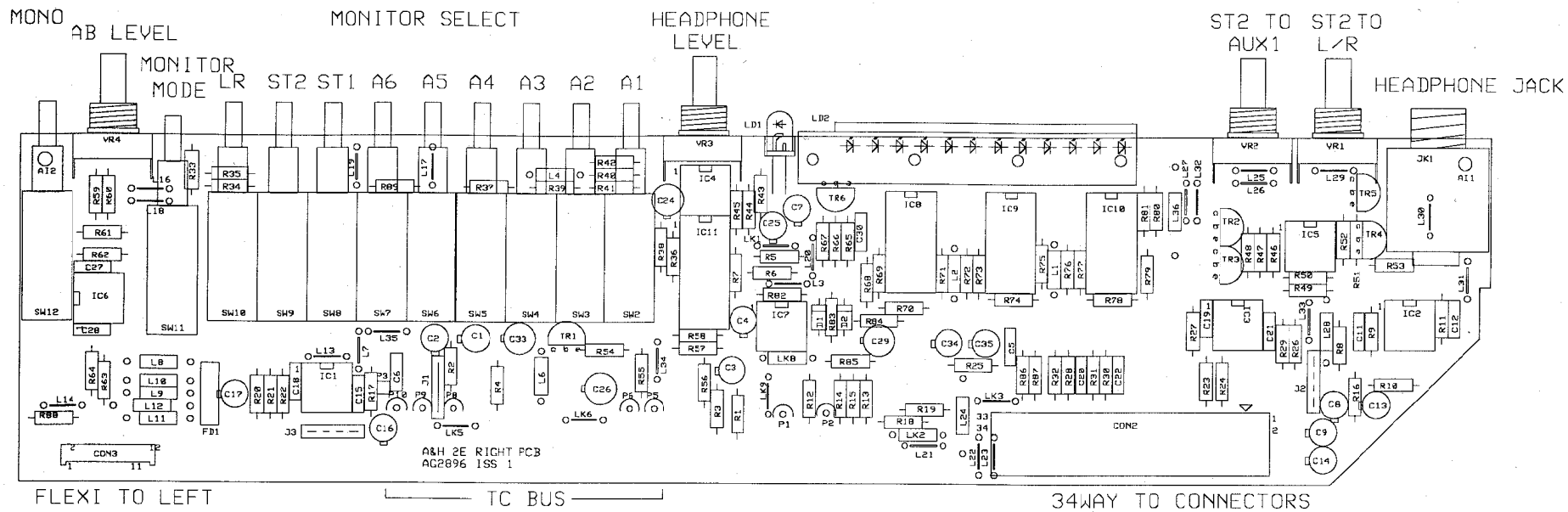
- L_MIX —○ P13
- R_MIX —○ P12
- SFL9 —○ P14
- PFL_MIX —○ P11
- A6_MIX —○ P10
- A5_MIX —○ P7
- A4_MIX —○ P6
- A3_MIX —○ P5
- A2_MIX —○ P4
- A1_MIX —○ P3
- UN84 —○ P15



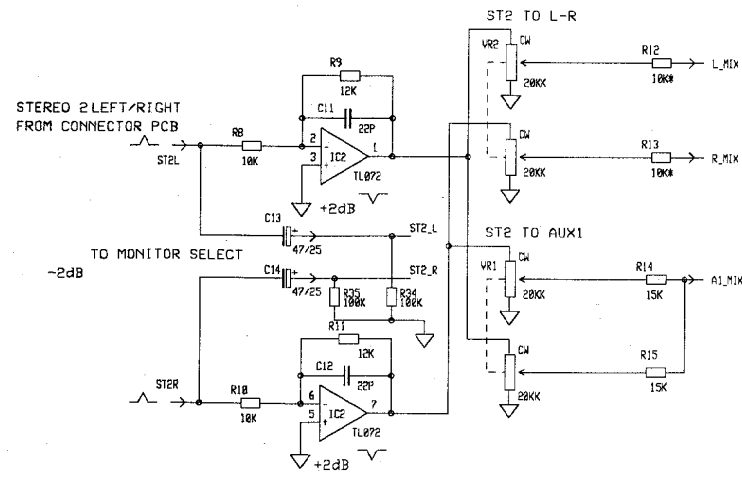
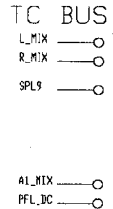
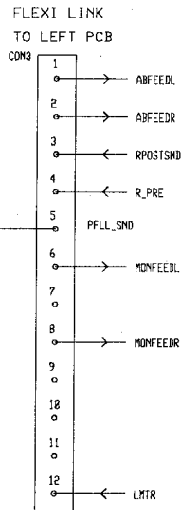
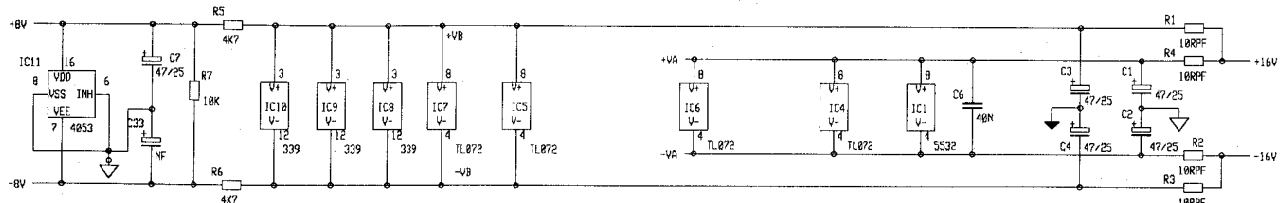
FLEXI LINK
TO RIGHT PCB



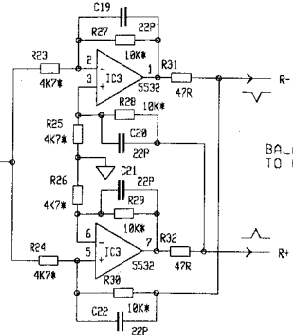
ISS.	REVISION	BY DATE	NOTES	UNIT TITLE	SHEET 2 OF 2	MANUFACTURED IN ENGLAND BY
A B 1	ORIGIN RE DESIGN PRODUCTION	DLP 24/01/97 DRP 07/02/97 DWD 13/03/97	1. RESISTORS MARKED 1 ARE 1% ALL OTHERS ARE 5% 1/4W UNLESS OTHERWISE MARKED 2. ELECTROLYTIC CAPACITORS ARE µF/VOLTS	2E-M		RC316
				DRAWING TITLE	PCB TYPE AC2895	ALLEN & HEATH
						DRAWING No. C2895 ISSUE 1
						A2



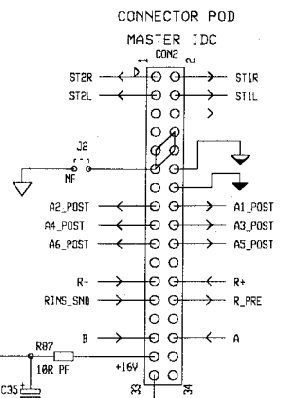
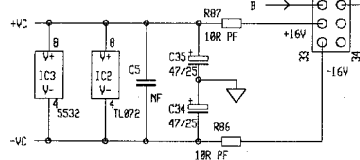
POWER SUPPLY FILTERING



RIGHT BALANCED OUTPUT DRIVER



BALANCED OUTPUT TO CONNECTOR PCB

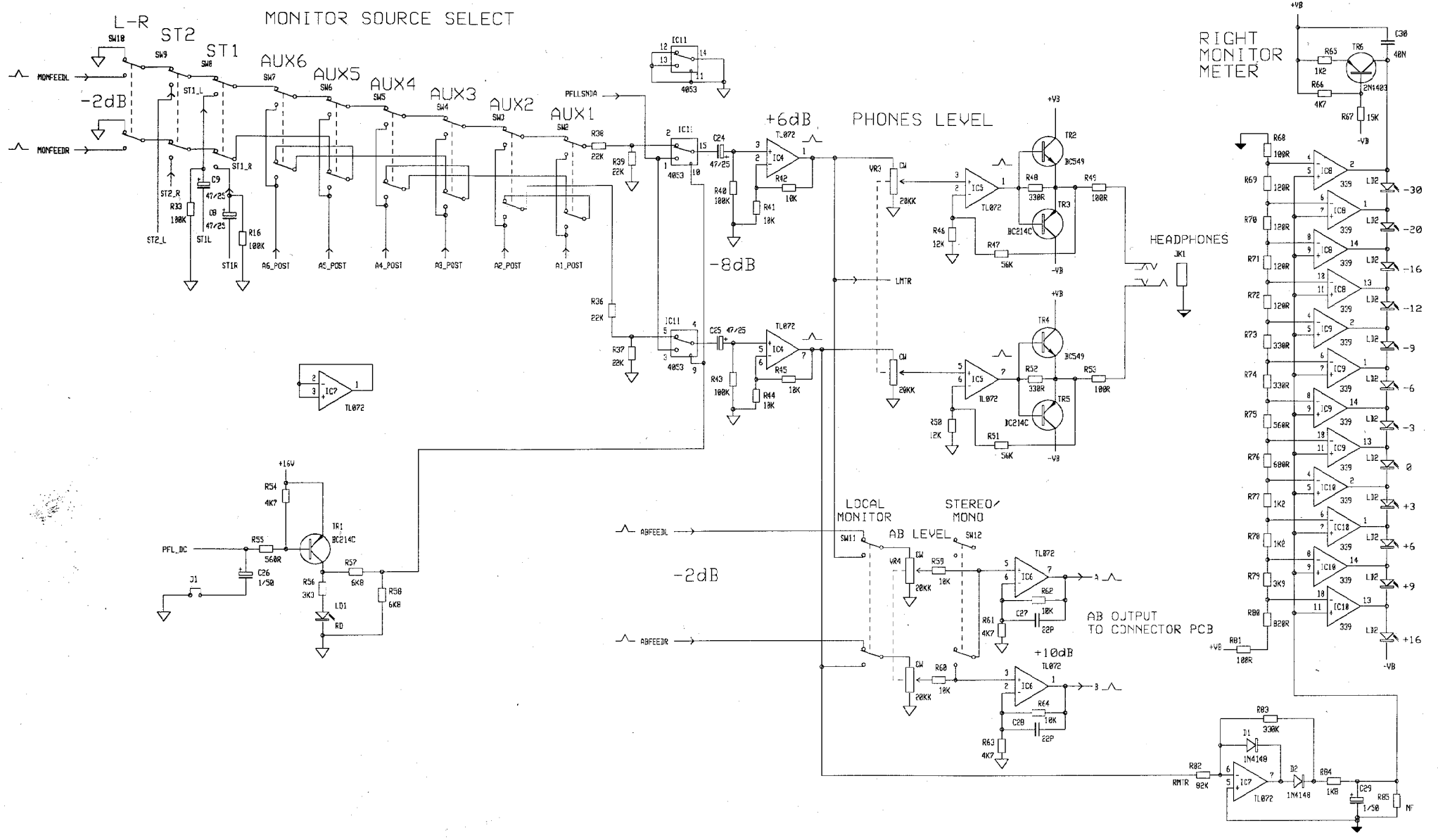


ISS.	REVISION	BY	DATE
A	ORIGIN	ARJ	24/01/97
B	RE DESIGN	AAT	06/02/97
C	VALUE CHANGES	DWD	18/02/97
1	PRODUCTION	DWD	13/03/97

- NOTES
1. RESISTORS MARKED * ARE 1% ALL OTHERS ARE 5% 1/4W UNLESS OTHERWISE MARKED
 2. ELECTROLYTIC CAPACITORS ARE +V/VOLTS

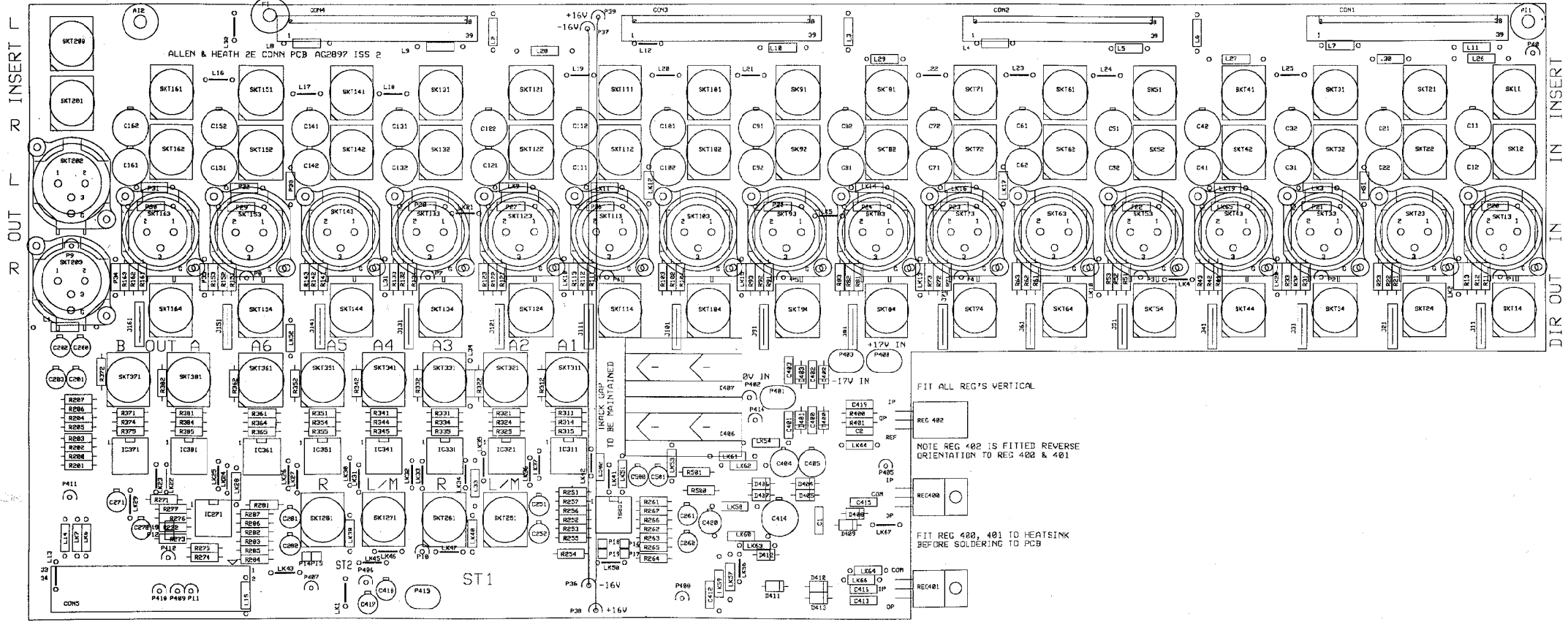
UNIT TITLE
2E-M PAGE 1 OF 2
 DRAWING TITLE
RIGHT PCB

MANUFACTURED IN ENGLAND BY
ALLEN & HEATH
 DRAWING No. **C2896** ISSUE **1**



ISS.	REVISION	BY	DATE	NOTES	UNIT TITLE	MANUFACTURED IN ENGLAND BY
A	ORIGIN	ARJ	24/01/97	1. RESISTORS MARKED * ARE 1% ALL OTHERS ARE 5% 1/4W UNLESS OTHERWISE MARKED	2E-M PAGE 2 OF 2	ALLEN & HEATH
B	RE DESIGN	AAT	06/02/97			
C	VALUE CHANGES	DWD	18/02/97	2. ELECTROLYTIC CAPACITORS ARE µF/VOLTS	DRAWING TITLE	DRAWING No. C2896 ISSUE 1
1	PRODUCTION	DWD	13/03/97		RIGHT PCB	a2

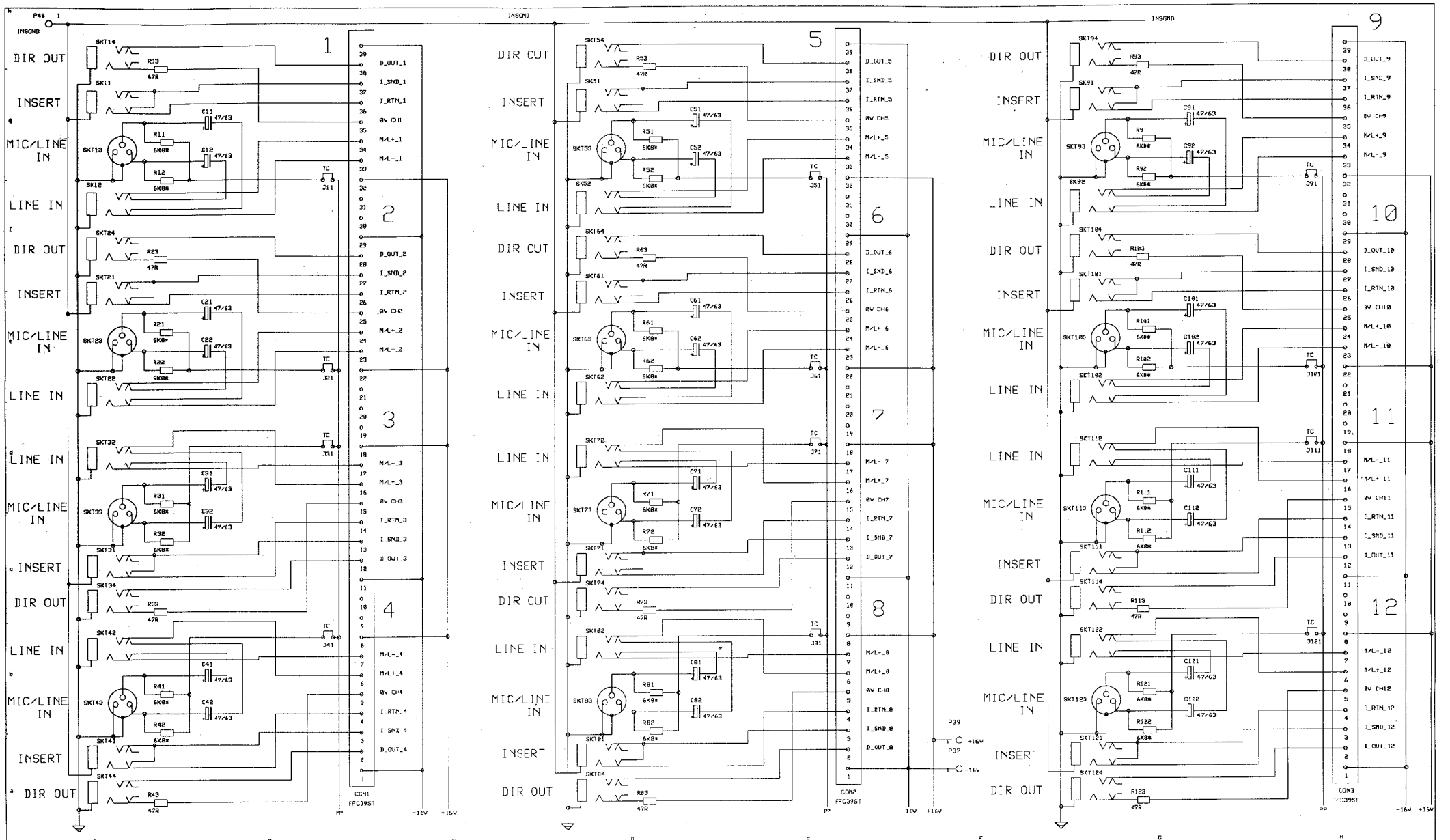
CH 16 CH 15 CH 14 CH 13 CH 12 CH 11 CH 10 CH 9 CH 8 CH 7 CH 6 CH 5 CH 4 CH 3 CH 2 CH 1



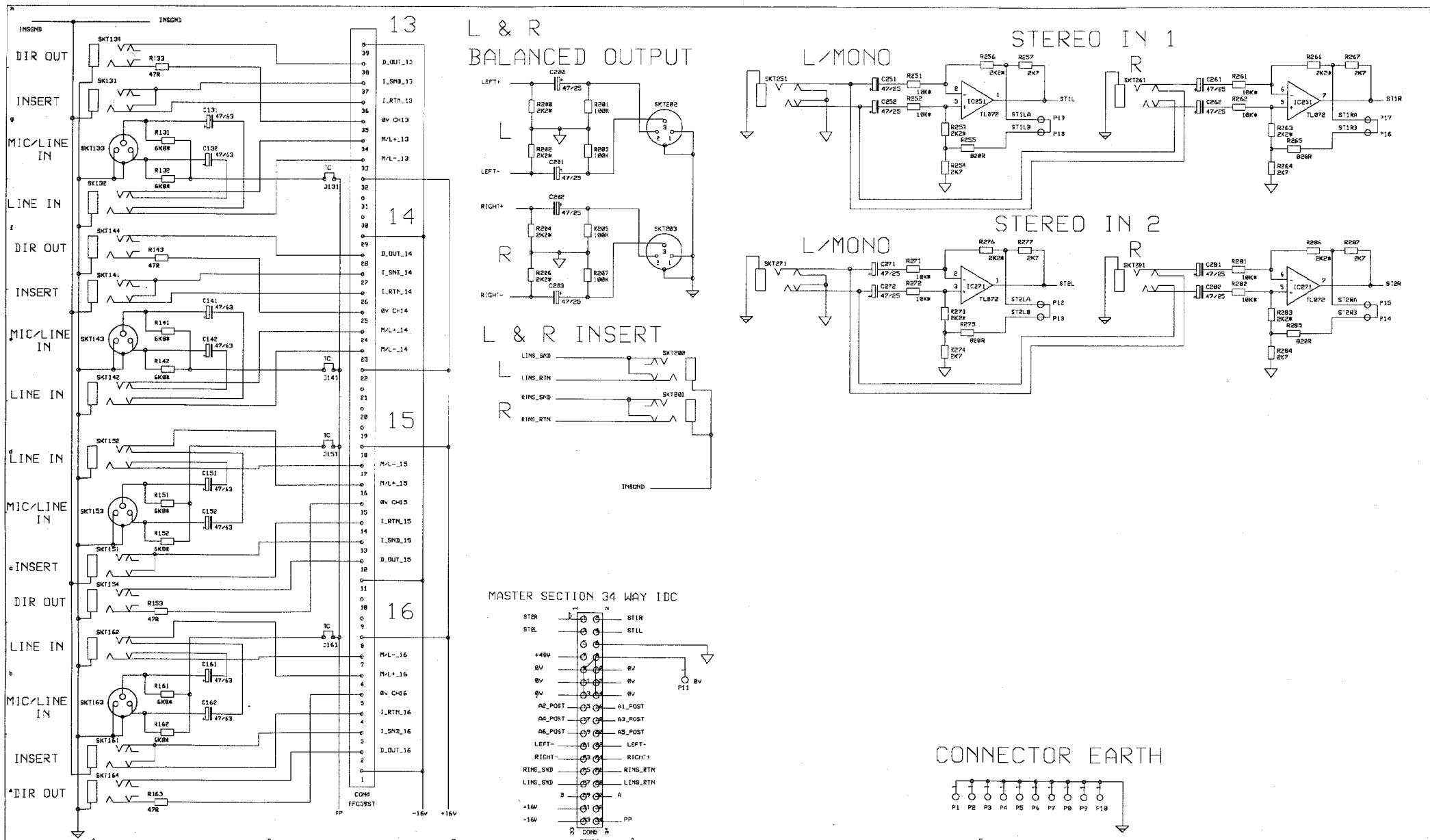
DIR OUT IN

DIR OUT IN

FIT ALL REG'S VERTICAL
NOTE REG 402 IS FITTED REVERSE ORIENTATION TO REG 400 & 401
FIT REG 400, 401 TO HEATSINK BEFORE SOLDERING TO PCB



ISS.	REVISION	BY DATE	NOTES	UNIT TITLE	2E-M	MANUFACTURED IN ENGLAND BY
A	ORIGIN	AAT 09-01-97	1. RESISTORS MARKED * ARE 1% ALL OTHERS ARE 5% 1/4W UNLESS OTHERWISE MARKED	DRAWING TITLE	CONNECTOR PCB	ALLEN & HEATH
B	EARTH+POWER MODS	AAT 11-02-97				
C	IC AND SKT MODS	DWD 18/02/97	2. ELECTROLYTIC CAPACITORS ARE µF-VOLTS			
1	PRODUCTION	DRP 13/03/97				
				PAGE 1 OF 4		
				PCB TYPE AG2897		DRAWING No. C2897 ISSUE 1
						A2



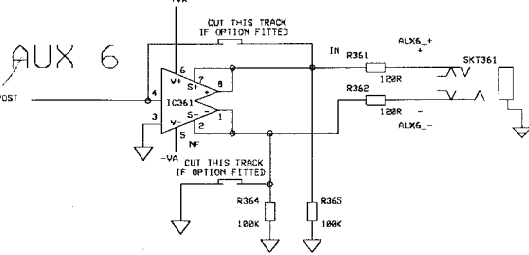
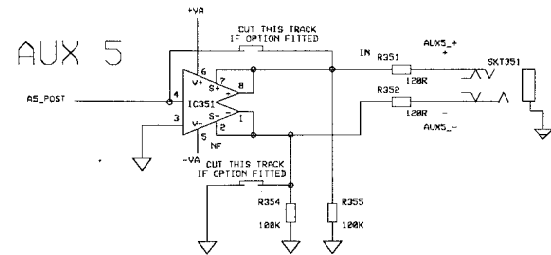
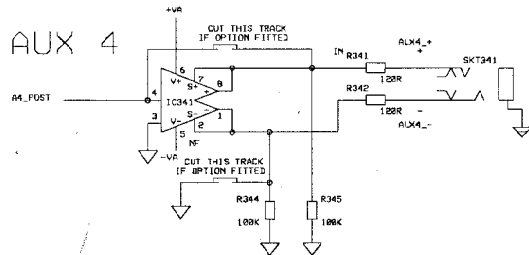
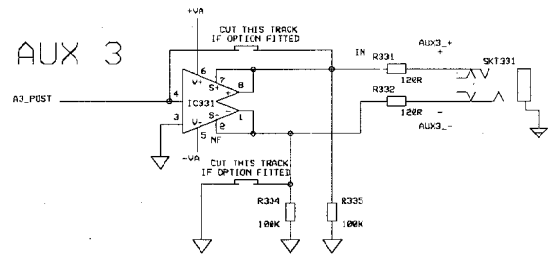
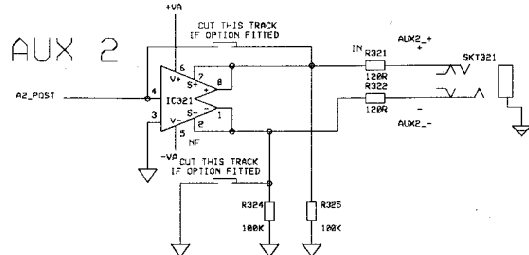
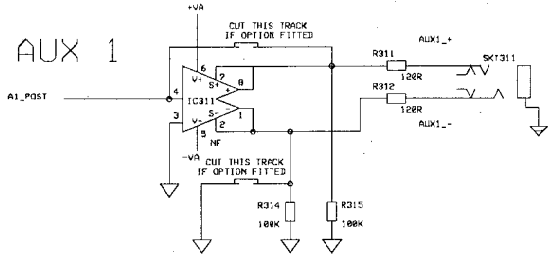
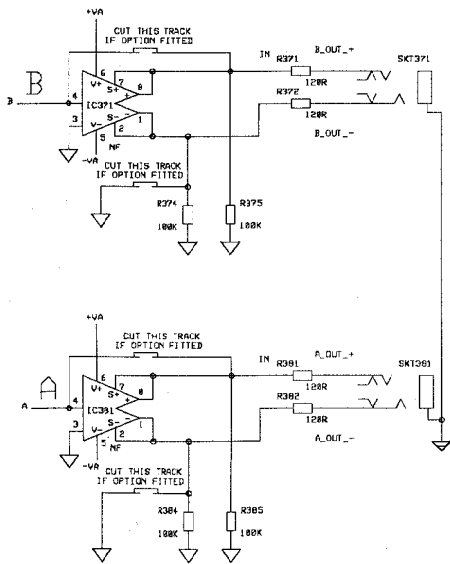
ISS.	REVISION	BY	DATE	NOTES	UNIT TITLE	MANUFACTURED IN ENGLAND BY	
A	ORIGIN	AAI	09-01-97	1. RESISTORS MARKED * ARE 1% ALL OTHERS ARE 5% 1/4W UNLESS OTHERWISE MARKED 2. ELECTROLYTIC CAPACITORS ARE 16V VOLTS	2E-M	ALLEN & HEATH	
B	EARTH+POWER MODS	AAI	11-02-97		DRAWING TITLE		PAGE 2 OF 4
C	IC AND SKT MODS	DWD	18/02/97		CONNECTOR PCB		
I	PRODUCTION	DRP	13/03/97		PCB TYPE AG2897	DRAWING No. C2897 ISSUE 1	

AUX OUT 1-6

BALANCED OUTPUT OPTION.
FOR BALANCED OPTION FIT SSM2142
INTO POSITIONS IC311, 321, 331, 341,
351, 361, 371 AND 381.

NOTE: CUT TRACK AS NOTED IN 16
POSITIONS

A & B OUT



ISS.	REVISION	BY	DATE	NOTES	UNIT TITLE	MANUFACTURED IN ENGLAND BY
A	ORIGIN	AAT	09-01-97	1. RESISTORS MARKED * ARE 1% ALL OTHERS ARE 5% 1/4W UNLESS OTHERWISE MARKED 2. ELECTROLYTIC CAPACITORS ARE µF-VOLTS	2E-M	ALLEN & HEATH
B	EARTH + POWER MODS	AAT	11-02-97			
C	IC AND SKT MODS	DWD	18/02/97		DRAWING TITLE	PAGE 4 OF 4
1	PRODUCTION	DRP	13/03/97		CONNECTOR PCB	DRAWING No. C2897