

# ALLEN & HEATH



## **WARNING – HIGH VOLTAGES**

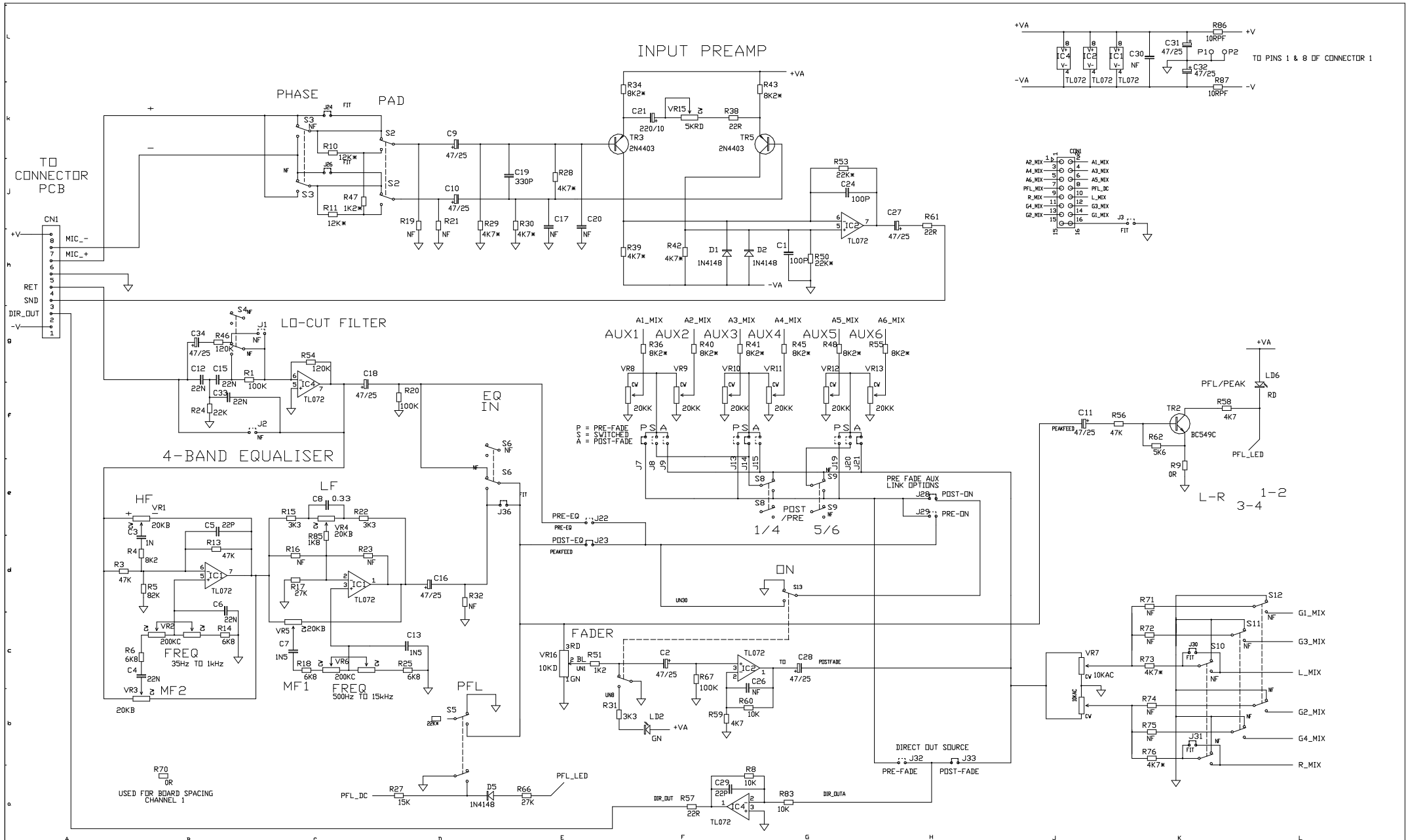
Power Supply Unit (PSU) work should only be carried out by qualified personnel.

We recommend that you use an approved Allen & Heath service centre for all power supply work.

Please contact your local Allen & Heath distributor for more details.

<http://www.allen-heath.com/>



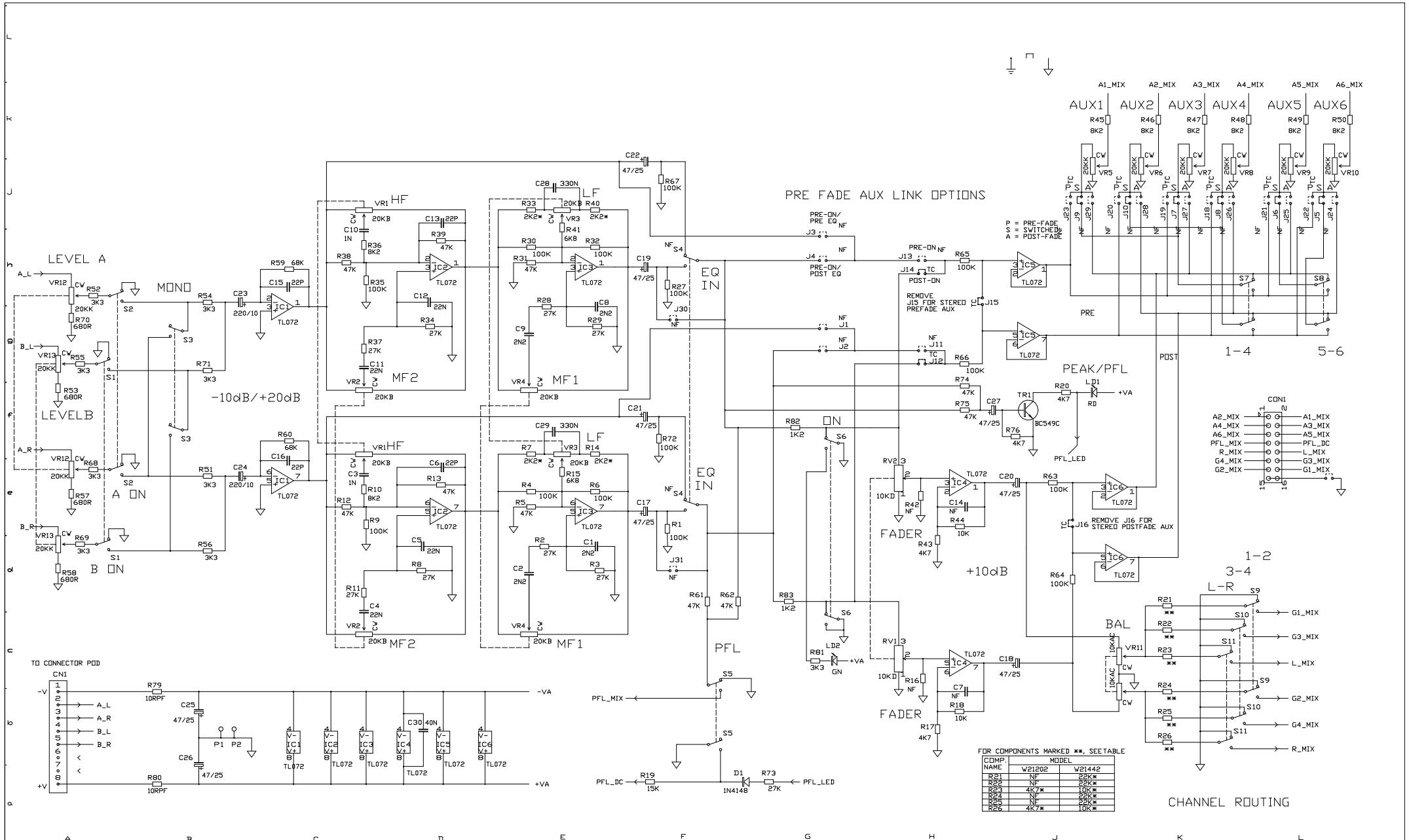


ISS	REVISION	BY	DATE	NOTES
A	ORIGIN	ARJ	19-5-98	
B	4BUSS REV	ARJ	9-7-98	
1	R1 ADDED	DRP	24-9-98	
2	R31,C1 & C24 VALUE CHANGES	DWD	5-11-98	
3	LO-CUT FILTER VALUE CHANGES	DWD	12-3-99	

NOTES
1. RESISTORS MARKED * ARE 1% ALL OTHERS ARE 5% UNLESS OTHERWISE MARKED
2. ELECTROLYTIC CAPACITORS ARE $\mu$ VOLTS
3. DO NOT MODIFY THIS CCT. WITHOUT REFERENCE TO OTHER WIZARD INPUT CCTS.

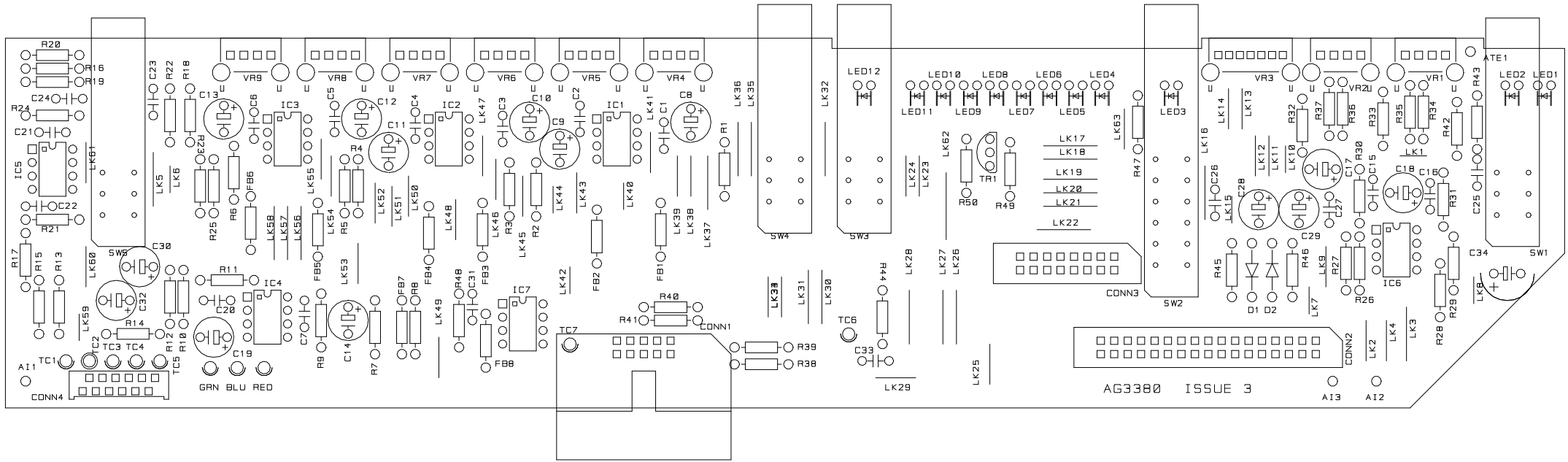
UNIT TITLE	2E2		MANUFACTURED IN ENGLAND BY
DRAWING TITLE	INPUT CIRCUIT DIAGRAM PCB TYPEAG3379		R/G316
			ALLEN & HEATH
			DRAWING No C3379 ISSUE 3 A1



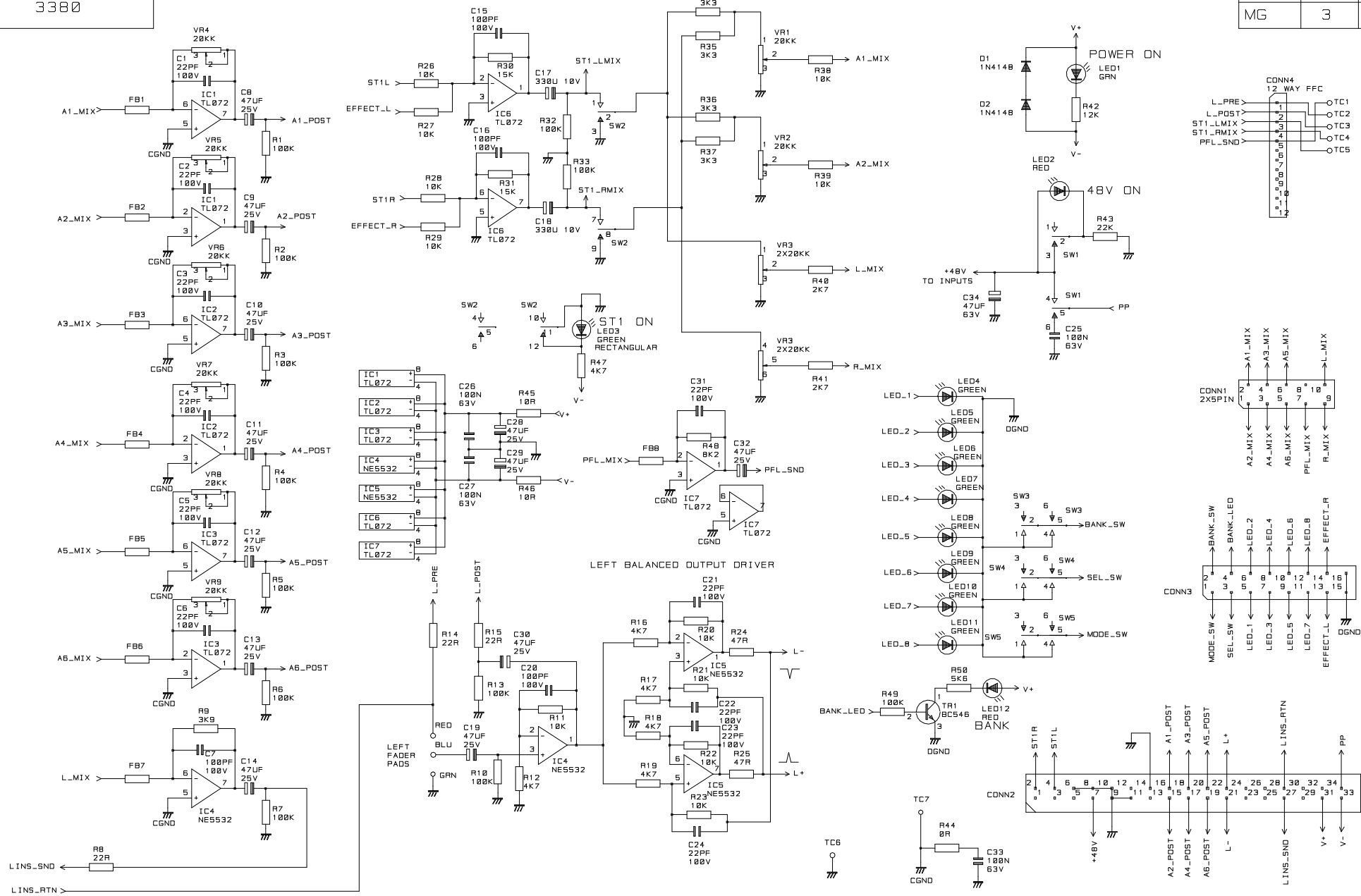


ISS.	REVISION	BY	DATE	NOTES
A	ORIGIN	ARJ		
1	PRODUCTION	ARJ	14-09-98	1. RESISTORS MARKED * ARE 1% ALL OTHERS ARE 5% 1/4W UNLESS OTHERWISE MARKED
2	ISSUE 2 UPDATE	DVD	09-11-98	2. ELECTROLYTIC CAPACITORS ARE 7V/0.1V/25

UNIT TITLE	2E2	MANUFACTURED IN ENGLAND BY	ALLEN & HEATH
DRAWING TITLE	STEREO CIRCUIT DIAGRAM AG3408	DRAWING No.	C3408 ISSUE 2 A1



INITIAL	ISSUE	DATE
MG	3	16-12-99



ALLEN & HEATH  
 COPYRIGHT OF THIS DRAWING  
 WHICH IS NOT TO BE COPIED,  
 REPRODUCED OR DISCLOSED, IN PART  
 OR IN WHOLE TO A THIRD PARTY  
 WITHOUT WRITTEN PERMISSION.

NOTES  
 VR1 20K  
 VR2 20K  
 VR3 2X20K  
 VR4 20K  
 VR5 20K  
 VR6 20K  
 VR7 20K  
 VR8 20K  
 VR9 20K

POT BRACKETS CONNECTED TO ENFORCE CONNECTION TO FRONT PANEL FOR HUM SHIELDING

DRN. MG  
 AG3380-2

ALLEN & HEATH  
 HARMAN INT. INDUSTRIES LTD.  
 KERNICK INDUSTRIAL EST  
 PENRYN  
 CORNWALL  
 TR10 9LU  
 TEL: 01326 372070  
 FAX: 01326 377097

TITLE WIZARD 2  
 MASTER LEFT PCB  
 DRG NO. 3380

MONO AB LEVEL

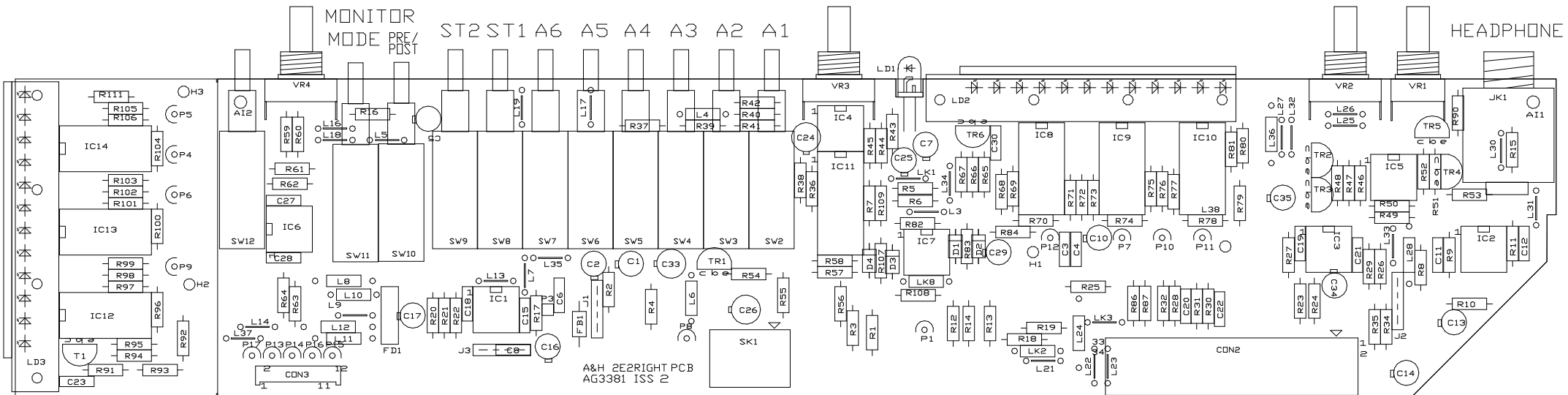
MONITOR SELECT

HEADPHONE LEVEL

ST2 ST1 A6 A5 A4 A3 A2 A1  
ST2 TO AUX1 ST1 TO L/R HEADPHONE

MONITOR MODE PRE/POST

ST2 ST1 A6 A5 A4 A3 A2 A1

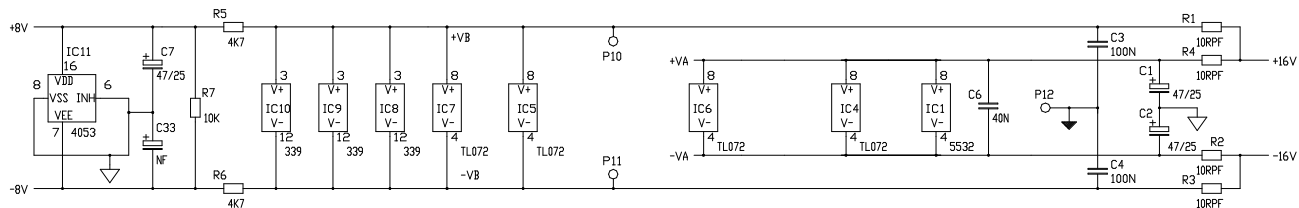


A&H 2E2RIGHT PCB  
AG3381 ISS 2

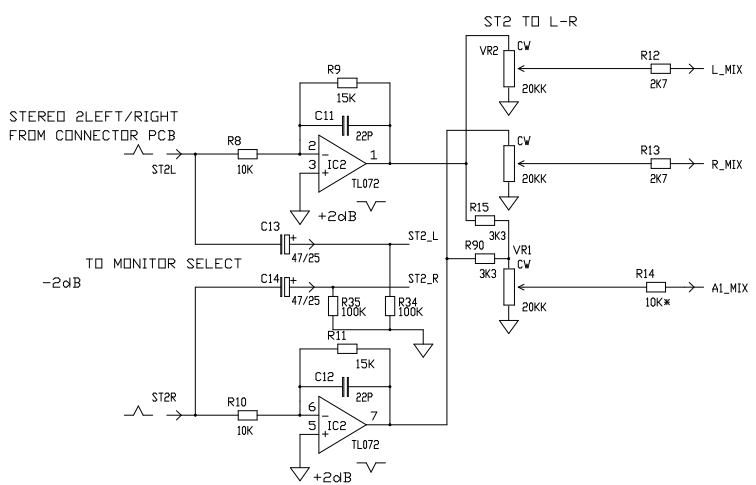
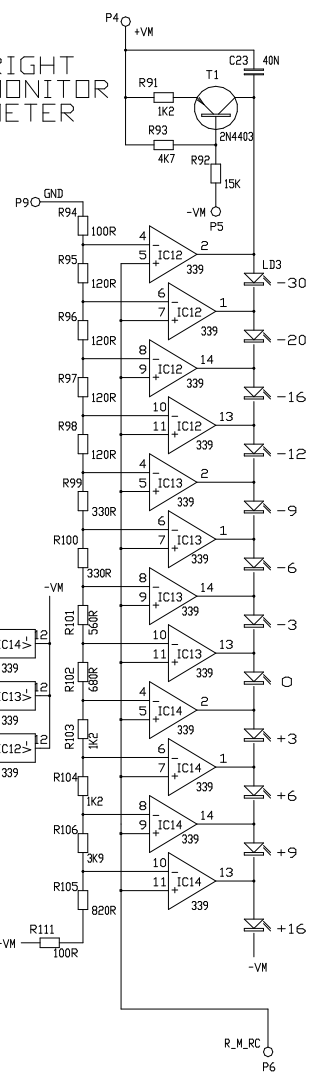
34WAY TO CONNECTORS



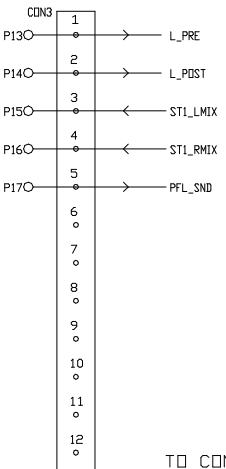
POWER SUPPLY FILTERING



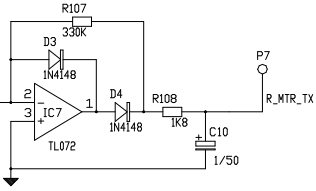
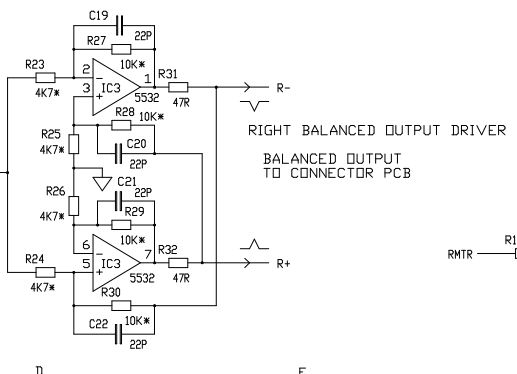
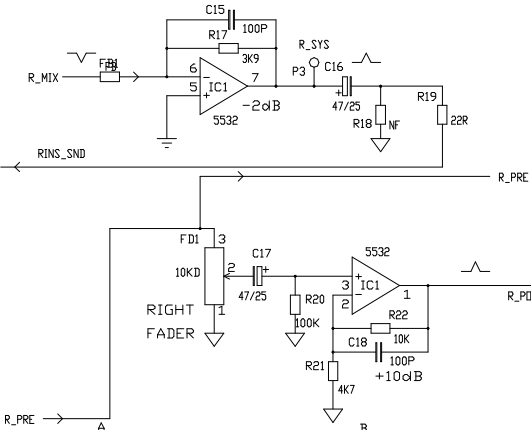
RIGHT MONITOR METER



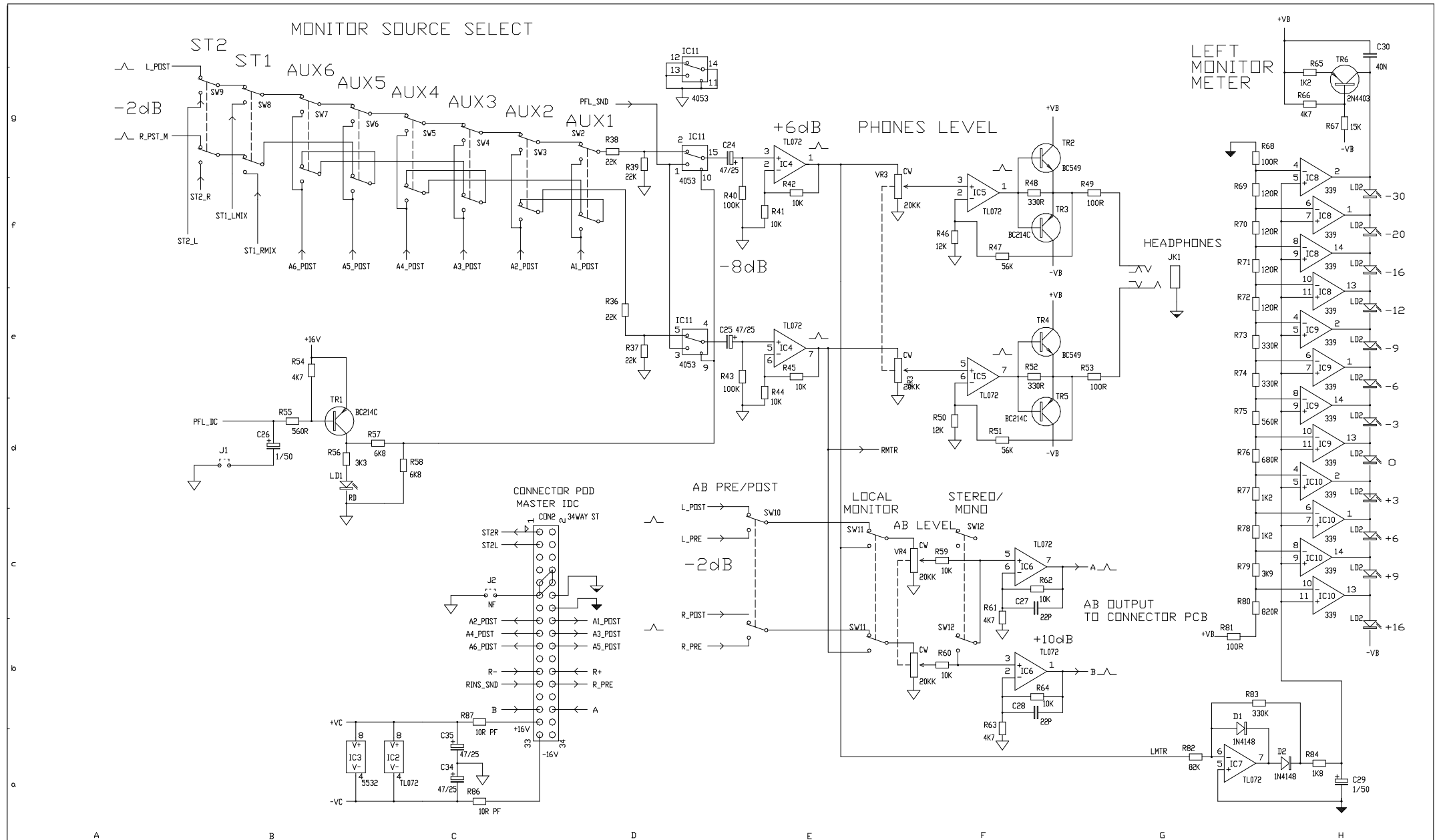
FLEXI LINK TO LEFT PCB



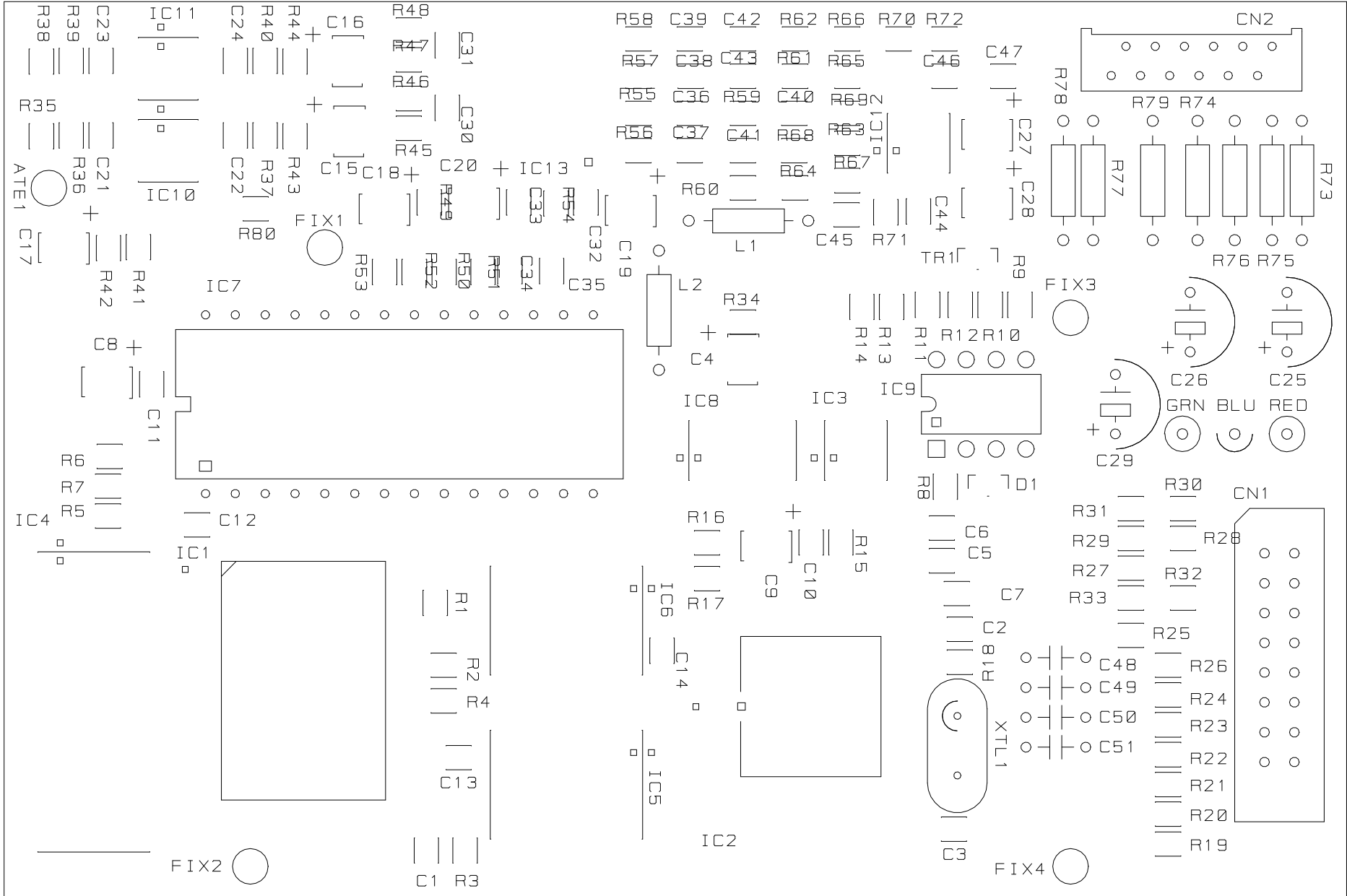
TC BUS



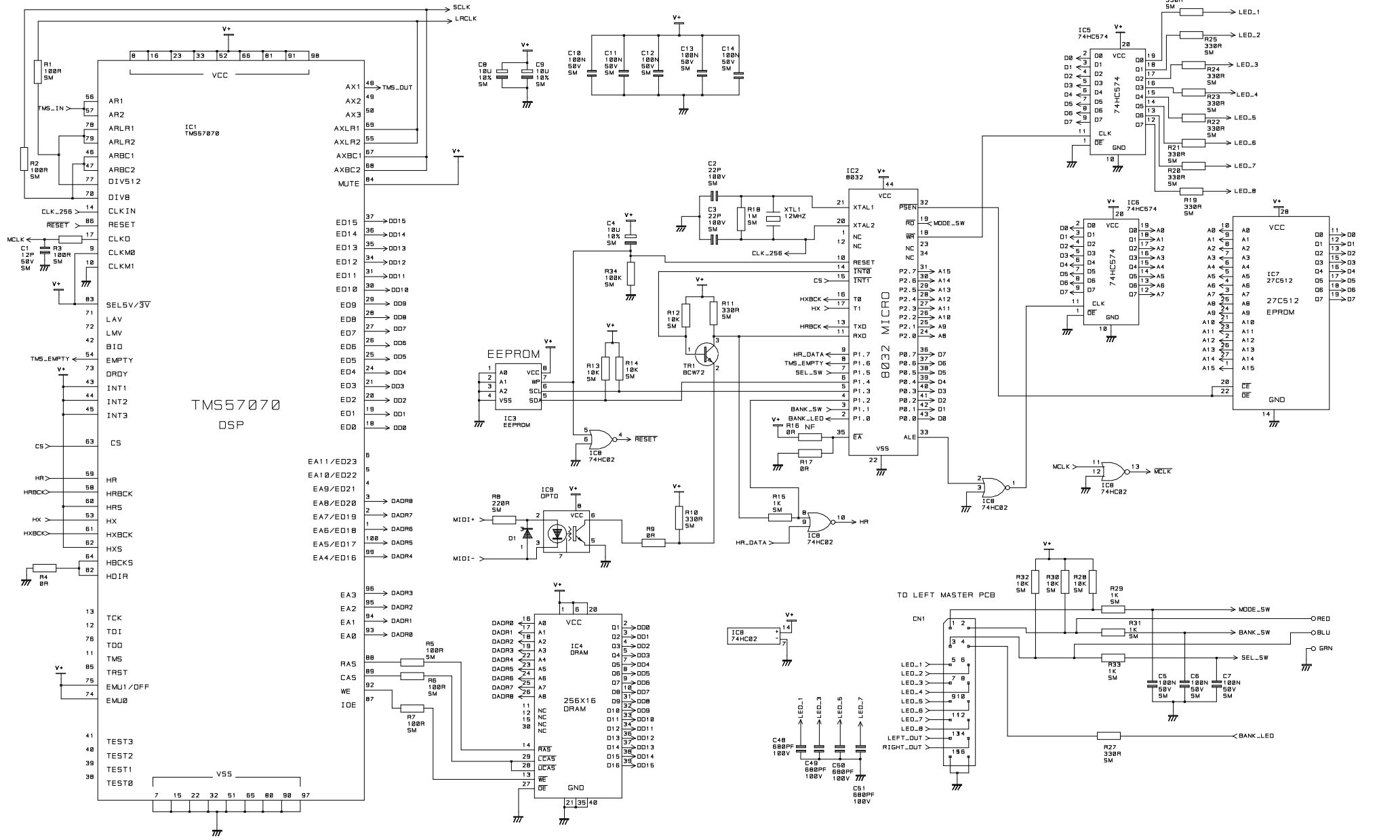
ISS.	REVISION	BY	DATE	NOTES	UNIT TITLE	MANUFACTURED IN ENGLAND BY
1	PRODUCTION	ARJ	9-09-98	1. RESISTORS MARKED * ARE 1% ALL OTHERS ARE 5% 1/4W UNLESS OTHERWISE MARKED	2E2 RIGHT PCB	ALLEN & HEATH
2	UPDATES	ARJ	05-11-98	2. ELECTROLYTIC CAPACITORS ARE 10V/50%T	RIGHT PCB	DRAWING No. C3381
					AG3381	ISSUE 2



ISS.	REVISION	BY DATE	NOTES	UNIT TITLE	MANUFACTURED IN ENGLAND BY
1	PRODUCTION	ARJ 9-09-98	1. RESISTORS MARKED * ARE 1% ALL OTHERS ARE SZ 1/4W UNLESS OTHERWISE MARKED 2. ELECTROLYTIC CAPACITORS ARE %F/VOLTS	2E2 RIGHT PCB	ALLEN & HEATH
2	UPDATES	ARJ 05-11-98		RIGHT PCB	
				AG3381	DRAWING No. C3381 ISSUE 2



INITIAL	ISSUE	DATE
MG	2.0	13-12-99

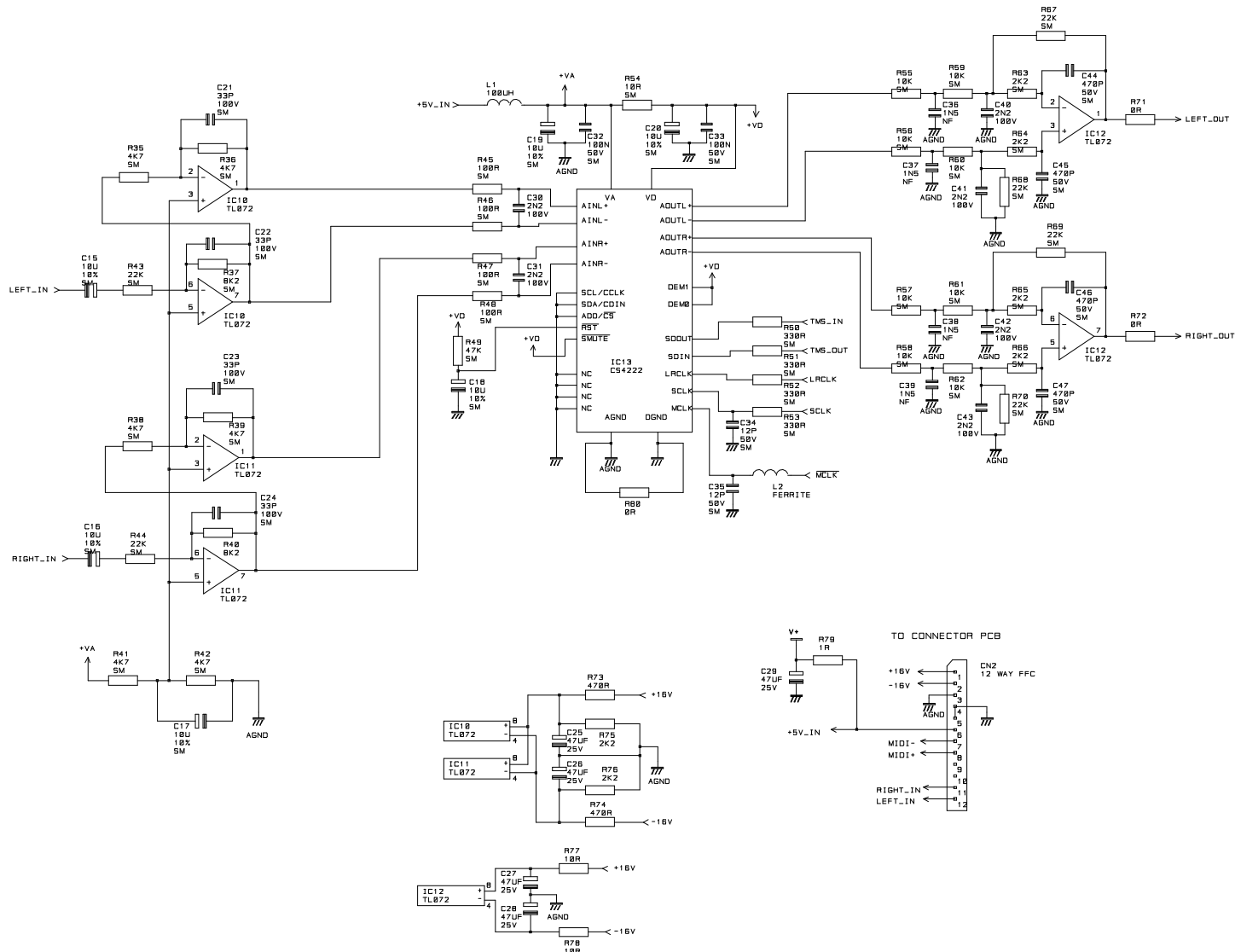


ALLEN & HEATH  
 COPYRIGHT OF THIS DRAWING  
 WHICH IS NOT TO BE COPIED,  
 REPRODUCED OR DISCLOSED, IN PART  
 OR IN WHOLE TO A THIRD PARTY  
 WITHOUT WRITTEN PERMISSION.

NOTES

DRN. MIKE GRIFFIN  
 ALLEN & HEATH  
 HARMAN INT. INDUSTRIES LTD.  
 KERNICK INDUSTRIAL EST  
 PENRYN  
 CORNWALL  
 TR10 9LU  
 TEL: 01326 372070  
 FAX: 01326 377097

TITLE  
 WZ2 EFFECTS  
 PROCESSOR PCB  
 DRG NO. AG3460  
 SHT. 1 OF 2



ALLEN & HEATH  
 COPYRIGHT OF THIS DRAWING  
 WHICH IS NOT TO BE COPIED,  
 REPRODUCED OR DISCLOSED, IN PART  
 OR IN WHOLE TO A THIRD PARTY  
 WITHOUT WRITTEN PERMISSION.

NOTES

DRN. MG

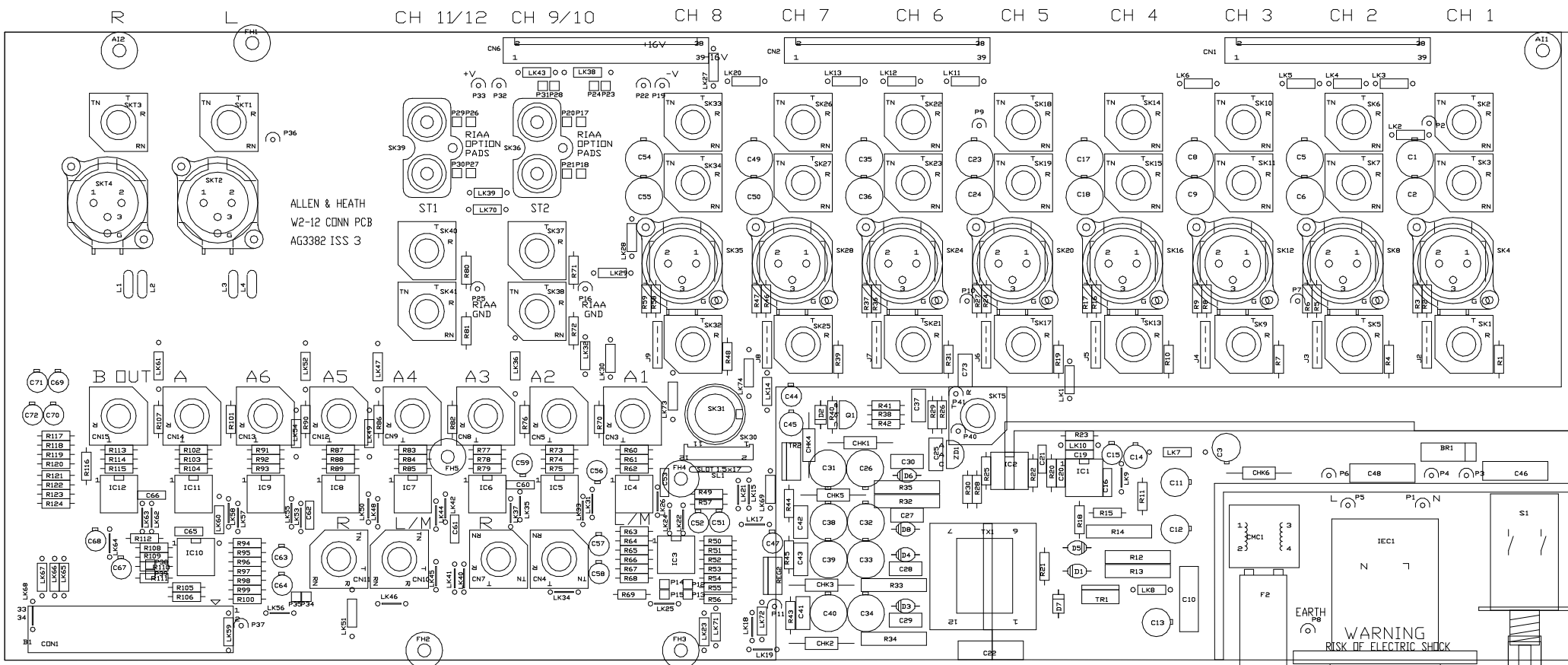
ALLEN & HEATH  
 HARMAN INT. INDUSTRIES LTD.  
 KERNICK INDUSTRIAL EST  
 PENRYN  
 CORNWALL  
 TR10 9LU  
 TEL: 01326 372070  
 FAX: 01326 377097

TITLE  
 W22 EFFECTS  
 PROCESSOR PCB  
 DRG NO. AG3460  
 SHT. 2 OF 2

OUT INSERT

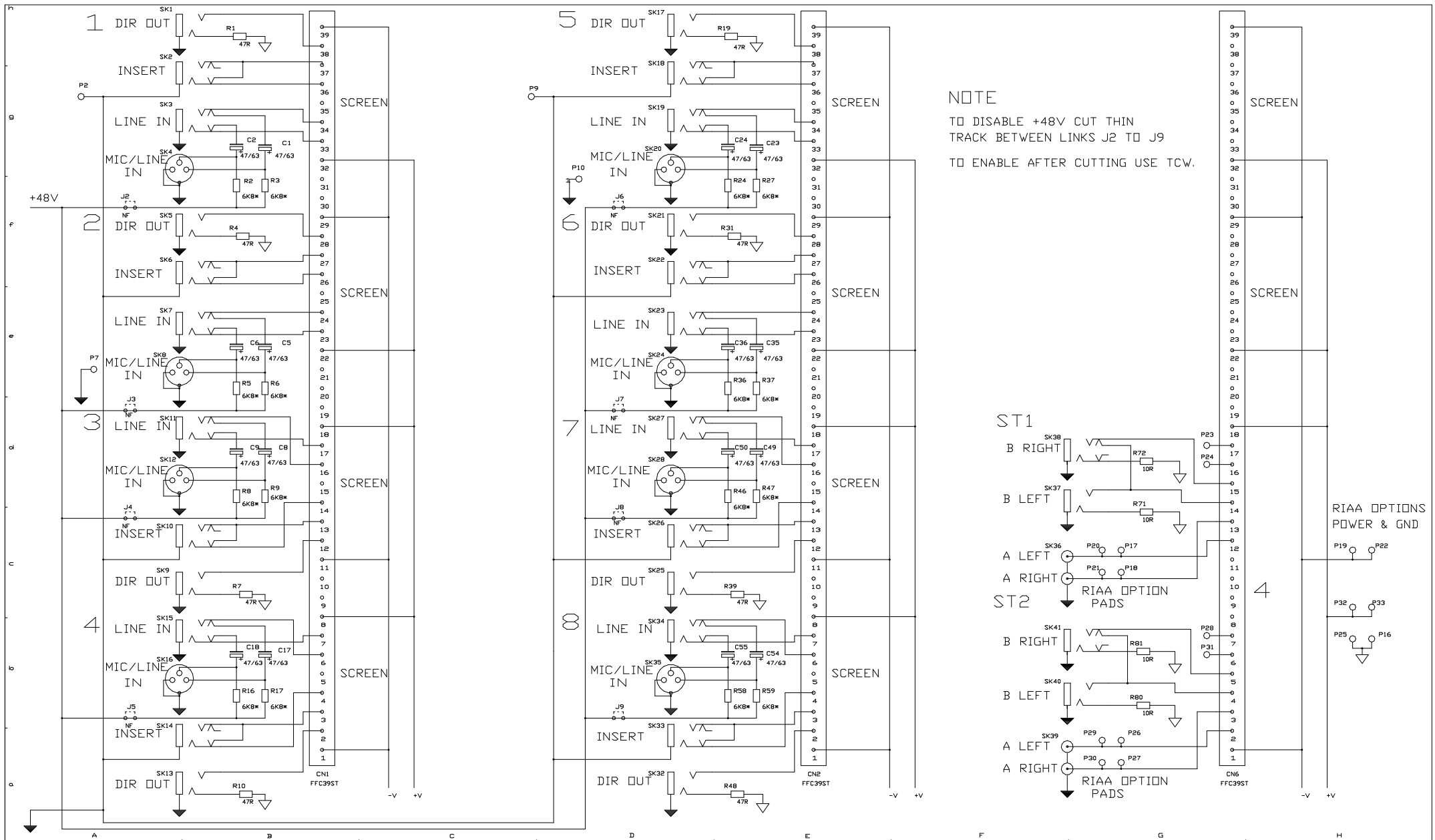
IN INSERT

DIR OUT

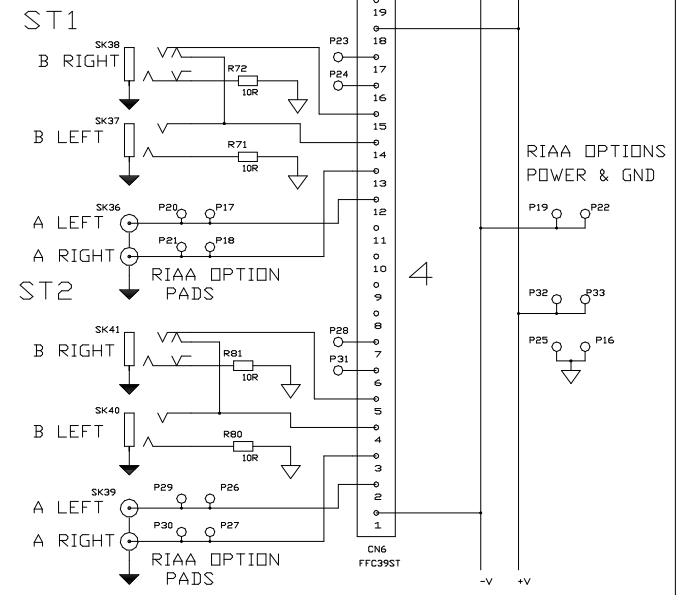


ALLEN & HEATH  
W2-12 CONN PCB  
AG3382 ISS 3

WARNING  
RISK OF ELECTRIC SHOCK



NOTE  
 TO DISABLE +48V CUT THIN TRACK BETWEEN LINKS J2 TO J9  
 TO ENABLE AFTER CUTTING USE TCW.



ISS	REVISION	BY	DATE	NOTES
A	ORIGIN	DRP	13-7-98	
1	PRODUCTION	DRP	4-9-98	
2	ECN	DRP	30-9-98	
3	CAP & CHOKE ADDED	AAT02	02-99	
3.1	NOISE IMPROVEMENTS	DWD10	09-99	
3.2	PSU NOISE MOD.	DWD09	11-99	

1. RESISTORS MARKED \* ARE 1%  
 ALL OTHERS ARE 5% 1/4W UNLESS OTHERWISE MARKED

2. ELECTROLYTIC CAPACITORS ARE 10% VDLTS

UNIT TITLE  
 W2-12

DRAWING TITLE  
 CIRCUIT DIAGRAM  
 CONNECTOR PCB

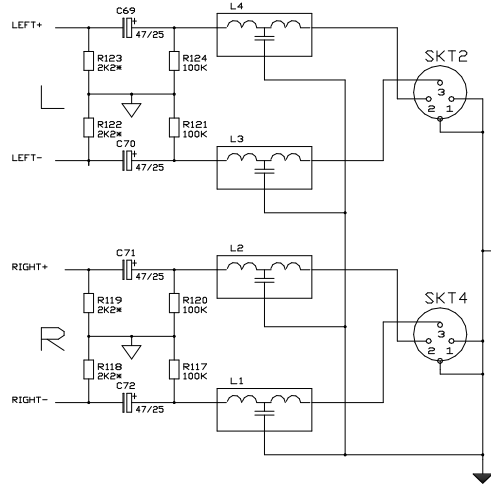
ALLEN & HEATH  
 KERNICK INDUSTRIAL ESTATE  
 PENRYN  
 CORNWALL  
 ENGLAND TR10 9LU

TEL: (44) (0) 1326 372070  
 FAX: (44) (0) 1326 377097

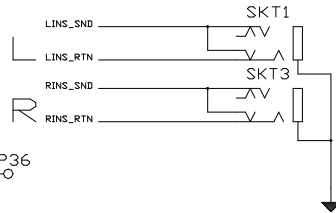
ALLEN & HEATH A DIVISION OF HARMAN INTERNATIONAL INDUSTRIES LIMITED

DRAWING No. C3382 ISSUE 3.2 A2

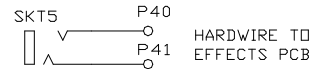
### L & R BALANCED OUTPUT



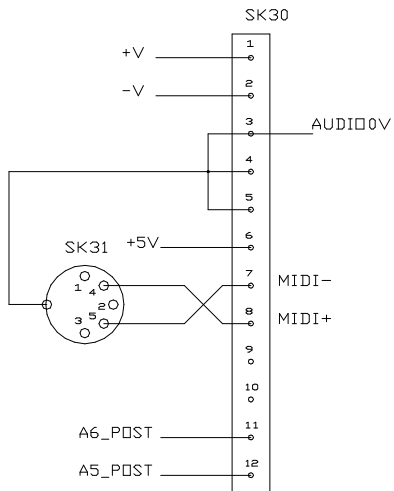
### L & R INSERT



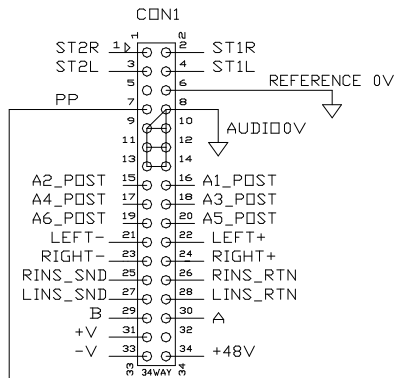
### FOOTSWITCH EFFECTS UNIT



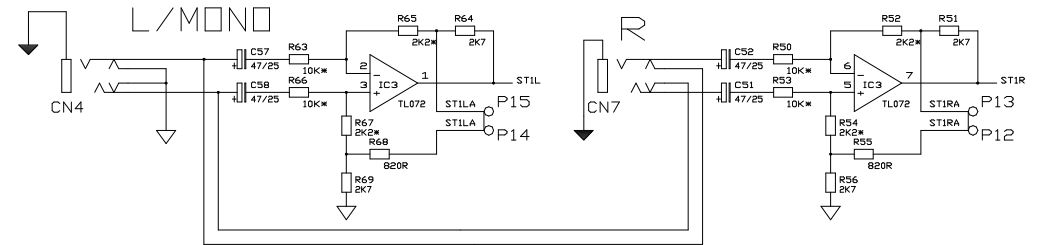
### FFC TO EFFECTS PCB



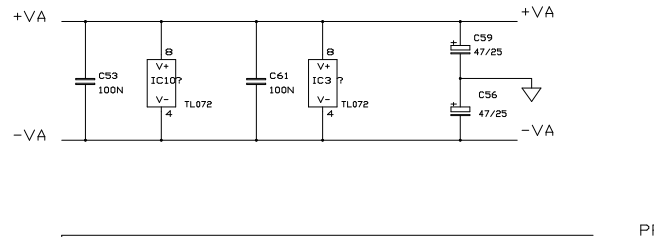
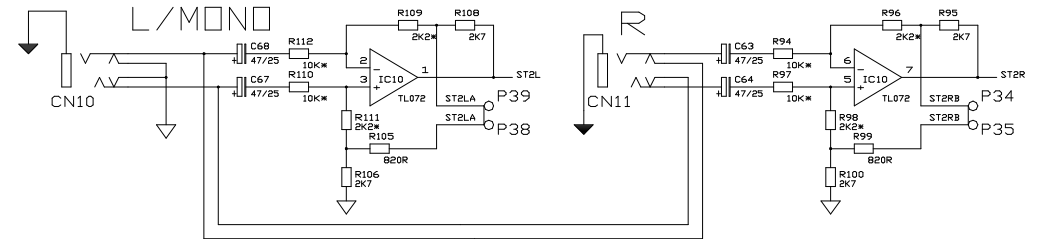
### MASTER SECTION 34 WAY IDC



### STEREO IN 1



### STEREO IN 2



FROM PAGE 4

ISS.	REVISION	BY	DATE
A	ORIGIN	DRP	13-7-98
1	PRODUCTION	DRP	4-9-98
2	ECN	DRP	30-9-98
3	CAP & CHOKE ADDED	AAT02	02-99
3.1	NOISE IMPROVEMENTS	DWD10	09-99
3.2	PSU NOISE MOD.	DWD09	11-99

NOTES
1. RESISTORS MARKED * ARE 1% ALL OTHERS ARE 5% 1/4W UNLESS OTHERWISE MARKED
2. ELECTROLYTIC CAPACITORS ARE 10% TOLERANCE

UNIT TITLE	W2-12
DRAWING TITLE	CIRCUIT DIAGRAM CONNECTOR PCB

ALLEN & HEATH KERNICK INDUSTRIAL ESTATE PENRYN CORNWALL ENGLAND TR10 9LU ALLEN & HEATH A DIVISION OF HARMAN INTERNATIONAL INDUSTRIES LIMITED	TEL: (44) (0) 1326 378070 FAX: (44) (0) 1326 377097
DRAWING No.	C3382
ISSUE	3.2 A2

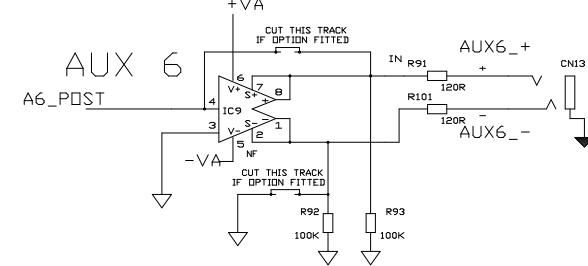
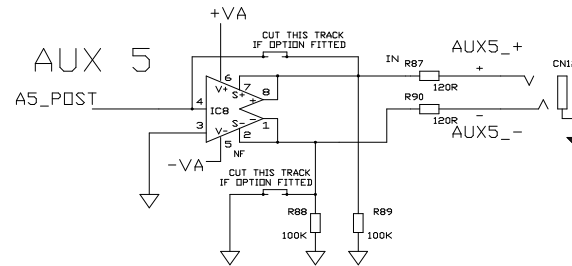
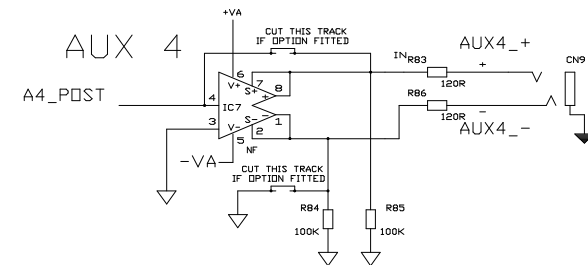
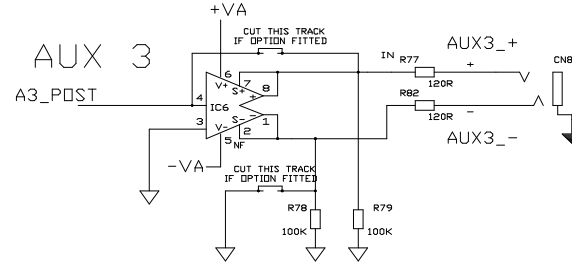
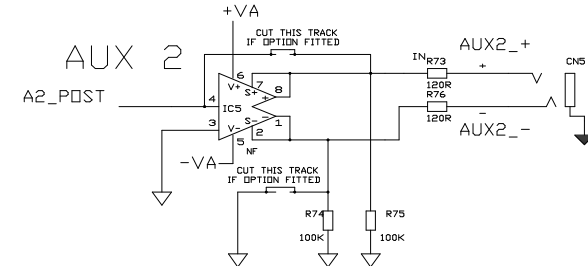
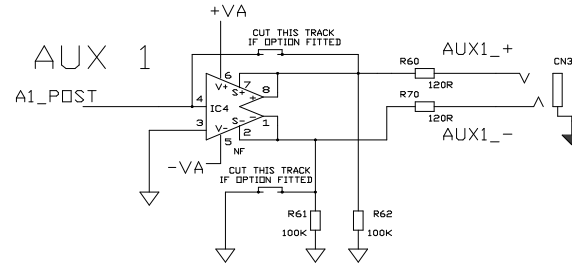
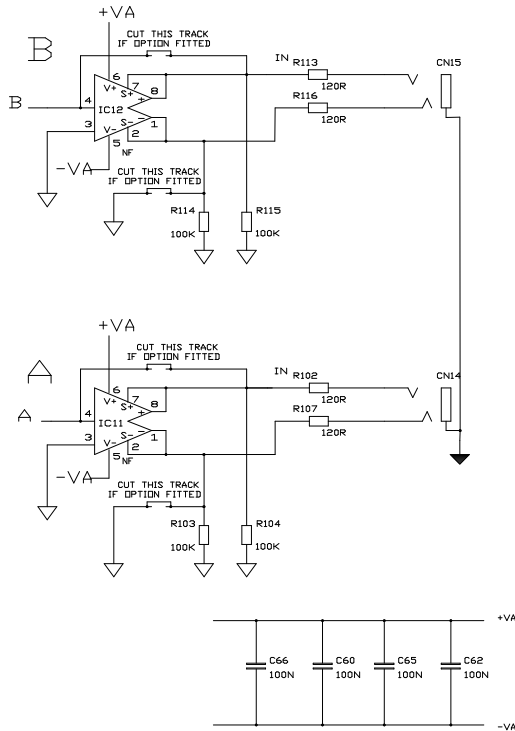


# AUX OUT 1-6

BALANCED OUTPUT OPTION.  
FOR BALANCED OPTION FIT SSM2142  
INTO SOCKETS IN POSITIONS  
IC4 TO IC9, IC11 & IC12

NOTE: CUT TRACK AS NOTED IN 16  
POSITIONS

## A & B OUT



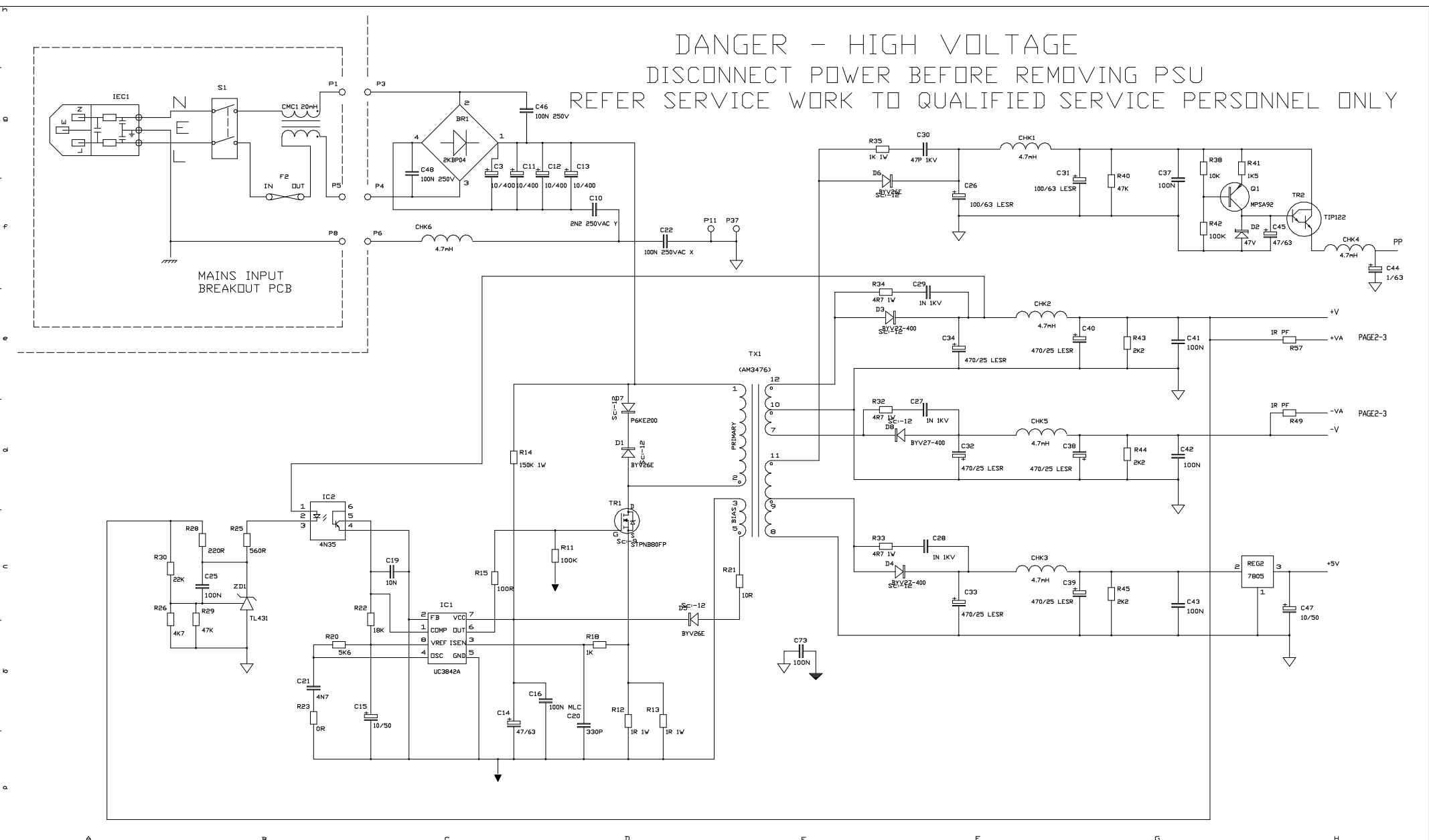
ISS.	REVISION	BY	DATE	NOTES
1	ORIGIN	DRP	13-7-98	
2	PRODUCTION	DRP	4-9-98	
3	ECN	DRP	30-9-98	
3.1	CAP & CHOKE ADDED	AAT02	02-99	
3.1	NOISE IMPROVEMENTS	DWD10	09-99	
3.2	PSU NOISE MOD.	DWD09	11-99	

ISS.	REVISION	BY	DATE	NOTES
				1. RESISTORS MARKED * ARE 1% ALL OTHERS ARE 5% 1/4W UNLESS OTHERWISE MARKED
				2. ELECTROLYTIC CAPACITORS ARE 10% VOLTAGE

UNIT TITLE	W2-12
DRAWING TITLE	CIRCUIT DIAGRAM CONNECTOR PCB

ALLEN & HEATH KERNICK INDUSTRIAL ESTATE PENRYN CORNWALL ENGLAND TR10 9LU	TEL: (44) (0) 1326 372070 FAX: (44) (0) 1326 377097
ALLEN & HEATH A DIVISION OF HARMAN INTERNATIONAL INDUSTRIES LIMITED	DRAWING No. C3382 ISSUE 3.2 A2

DANGER - HIGH VOLTAGE  
 DISCONNECT POWER BEFORE REMOVING PSU  
 REFER SERVICE WORK TO QUALIFIED SERVICE PERSONNEL ONLY



ISS.	REVISION	BY	DATE	NOTES
A	ORIGIN	DRP	13-7-98	
1	PRODUCTION	DRP	4-9-98	
2	ECN	DRP	30-9-98	
3	CAP & CHOKE ADDED	AAT02	02-99	
3.1	NOISE IMPROVEMENTS	DWD10	09-99	
3.2	PSU NOISE MOD.	DWD09	11-99	

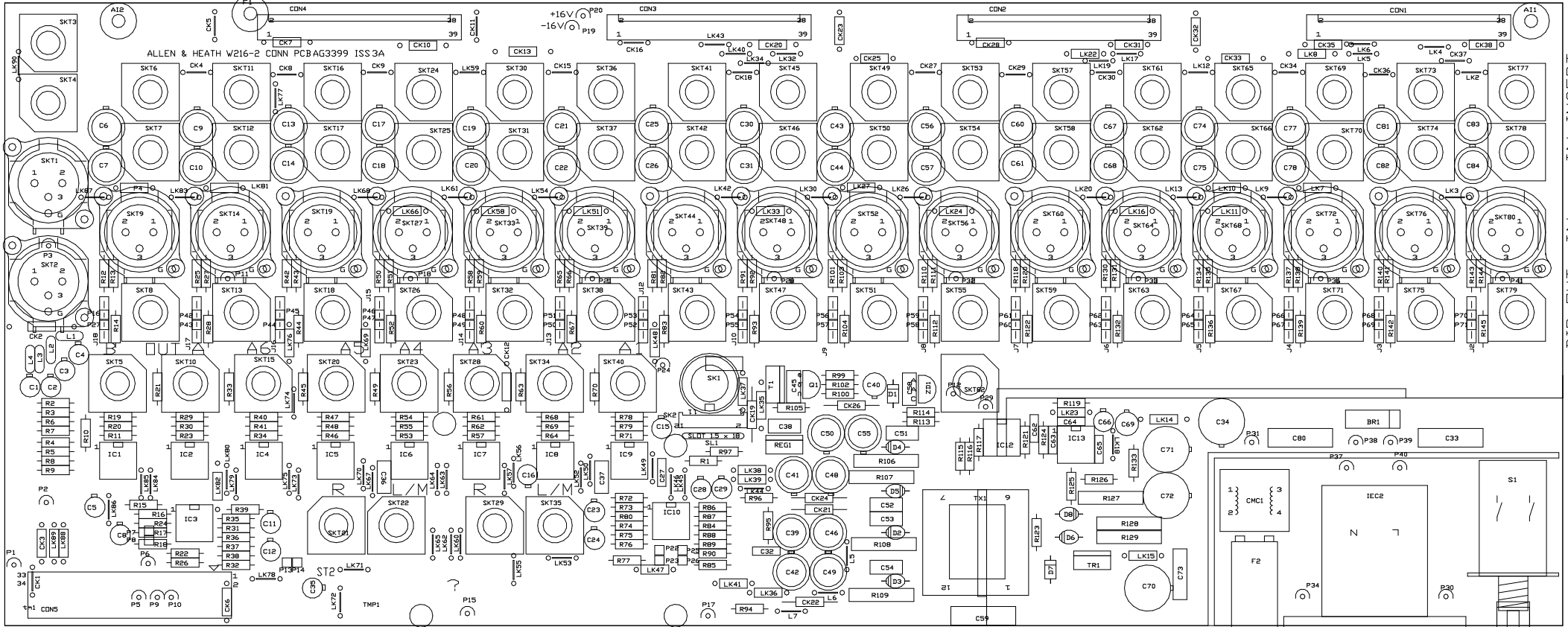
ISS.	REVISION	BY	DATE	NOTES
1.				RESISTORS MARKED * ARE 1% ALL OTHERS ARE 5% 1/4W UNLESS OTHERWISE MARKED
2.				ELECTROLYTIC CAPACITORS ARE 10% VOLTAGE

UNIT TITLE	W2-12
DRAWING TITLE	CIRCUIT DIAGRAM CONNECTOR PCB
PAGE	PAGE 4 OF 4

ALLEN & HEATH	
KERNICK INDUSTRIAL ESTATE	
PENRYN	
CORNWALL	
ENGLAND TR10 9LU	
ALLEN & HEATH A DIVISION OF HARMAN INTERNATIONAL INDUSTRIES LIMITED	
DRAWING No.	C3382
ISSUE	3.2 A2

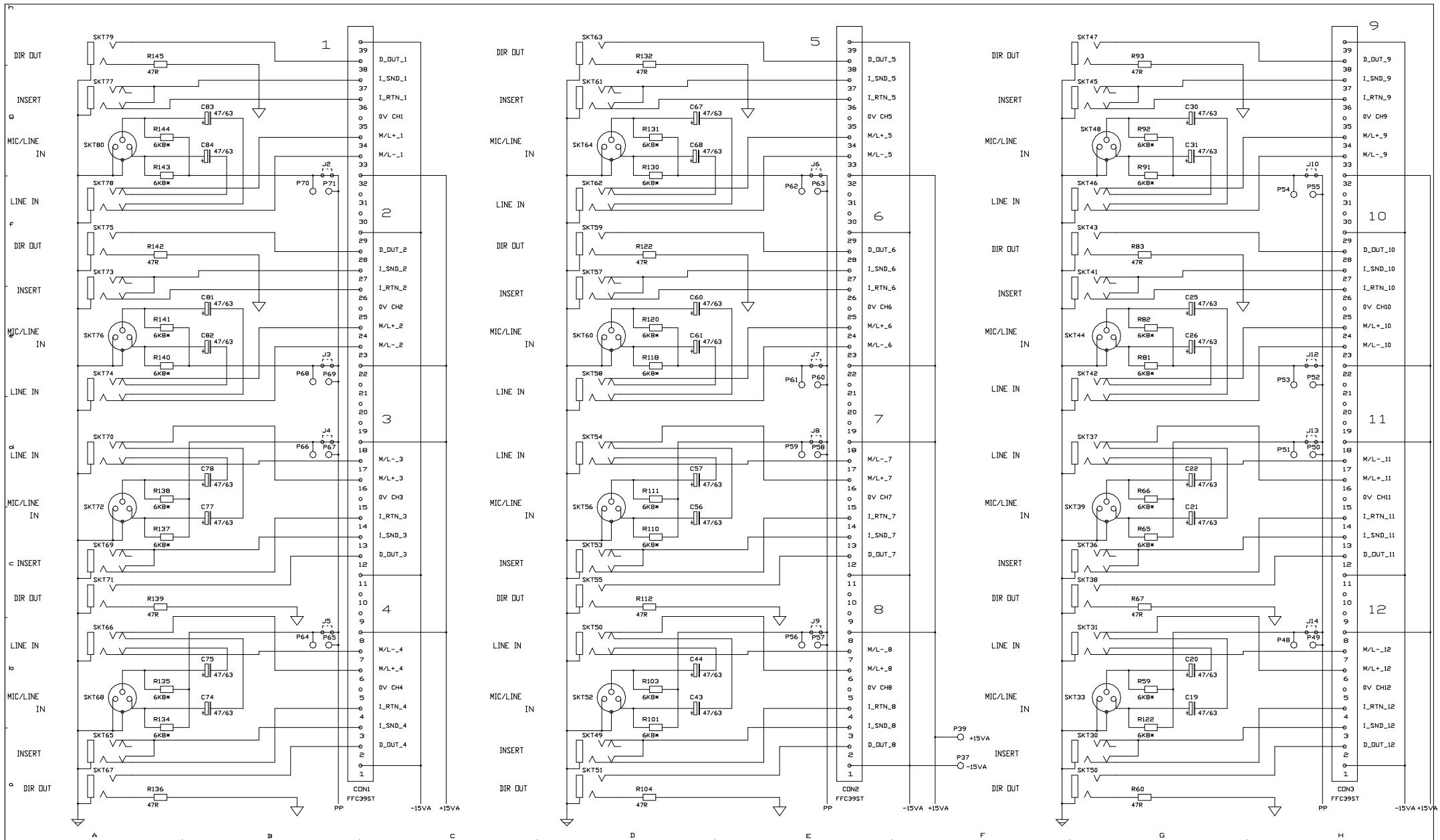
CH 16 CH 15 CH 14 CH 13 CH 12 CH 11 CH 10 CH 9 CH 8 CH 7 CH 6 CH 5 CH 4 CH 3 CH 2 CH 1

ALLEN & HEATH W216-2 CDNN PCBAG3399 ISS 3A



OUT

IN

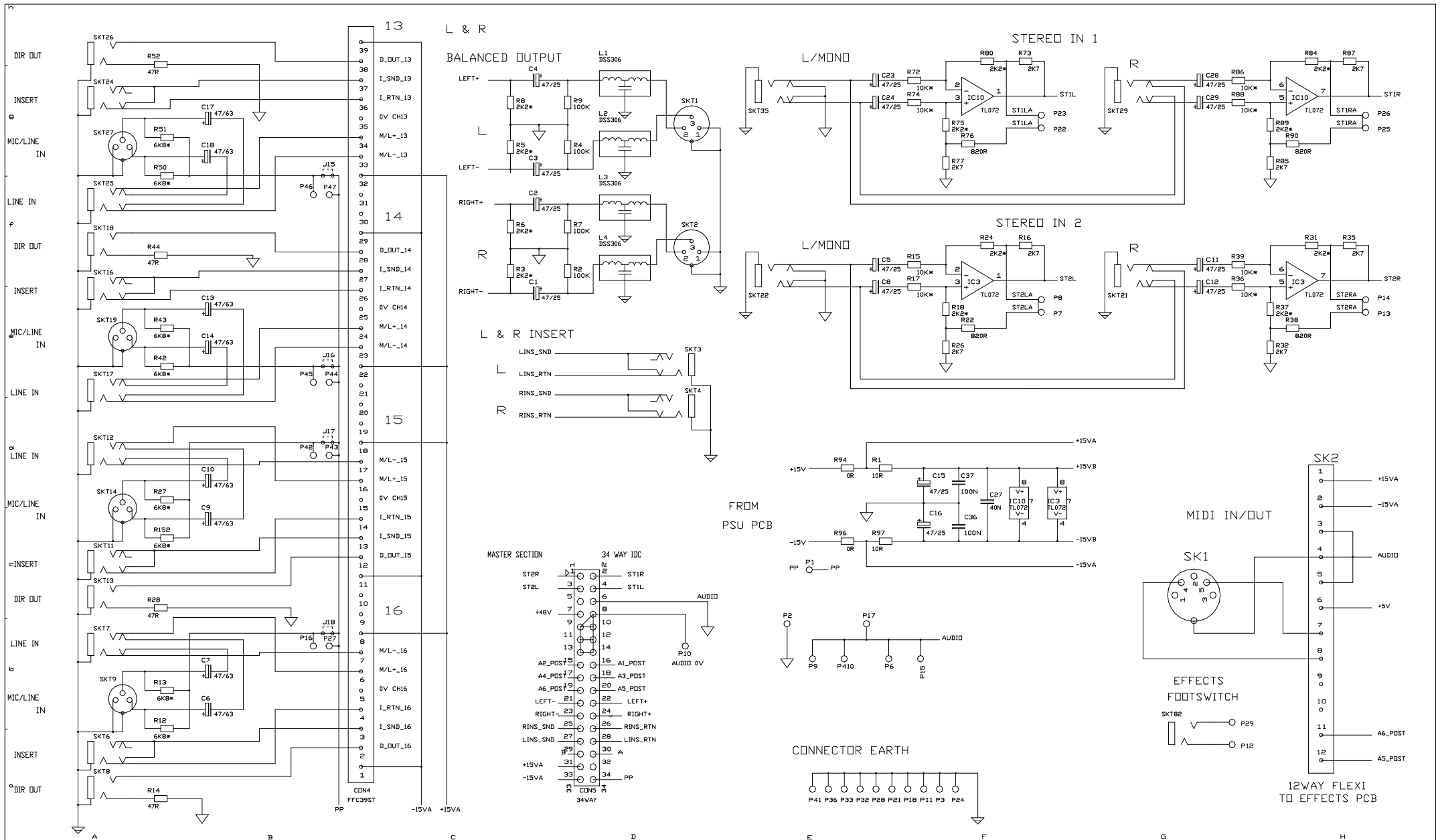


ISS	REVISION	BY	DATE
1	PRODUCTION	ARJ	9-09-98
2	PSU MODS	AAT	05-10-98
3	CHOKO ADDED	ARJ	05-02-99
3.1	FILTER IEC	DWD	8-10-99
3.2	PSU NOISE MODS.	DWD	9-11-99

NOTES
1. RESISTORS MARKED * ARE 1% ALL OTHERS ARE SZ 1/4W UNLESS OTHERWISE MARKED
2. ELECTROLYTIC CAPACITORS ARE 10%VOLT

UNIT TITLE	W216-2
DRAWING TITLE	CIRCUIT DIAGRAM CONNECTOR PCB
PAGE	

ALLEN & HEATH KERNICK INDUSTRIAL ESTATE PENRYN CORNWALL ENGLAND TRIO 9LU	TEL. (44) (0) 1326 372070 FAX. (44) (0) 1326 377097
ALLEN & HEATH A DIVISION OF HARMAN INTERNATIONAL INDUSTRIES LIMITED	
DRAWING No. C3399 ISSUE 3.2 A2	



ISS.	REVISION	BY	DATE	NOTES
1	PRODUCTION	ARJ	9-09-98	
2	PSU MODS	AAT	05-10-98	
3	CHOKE ADDED	ARJ	05-02-99	
3.1	FILTER IEC	DWD	8-10-99	
3.2	PSU NOISE MODS.	DWD	9-11-99	

1. RESISTORS MARKED \* ARE 1%  
ALL OTHERS ARE SZ 1/4W UNLESS OTHERWISE MARKED

2. ELECTROLYTIC CAPACITORS ARE 1% VOLTAGE

UNIT TITLE  
W216-2

DRAWING TITLE  
CIRCUIT DIAGRAM  
CONNECTOR PCB

PAGE

ALLEN & HEATH  
KERNICK INDUSTRIAL ESTATE  
PENRYN  
CORNWALL  
ENGLAND TRIO 9LU

TEL. (44) (0) 1326 372070  
FAX. (44) (0) 1326 377097

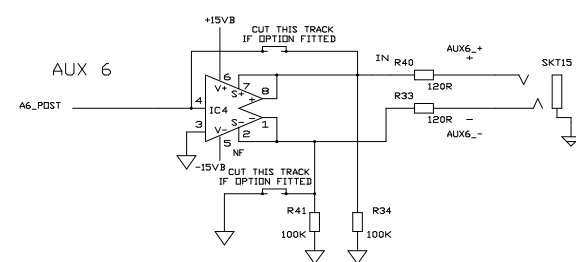
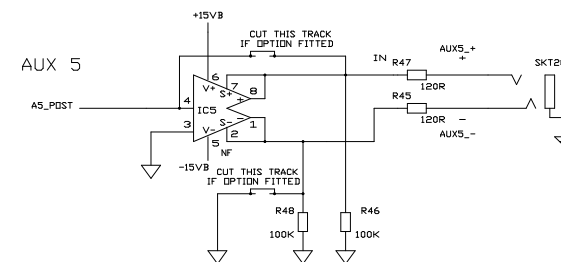
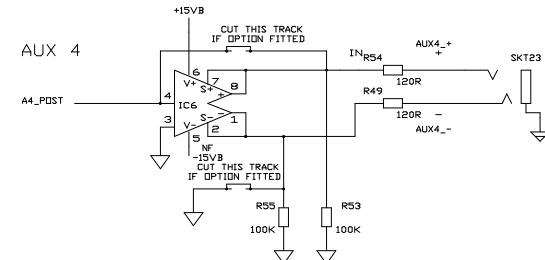
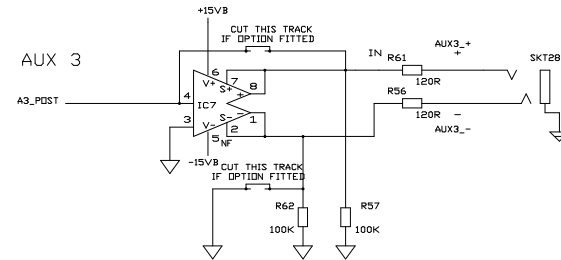
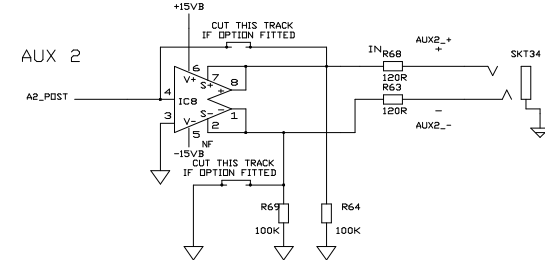
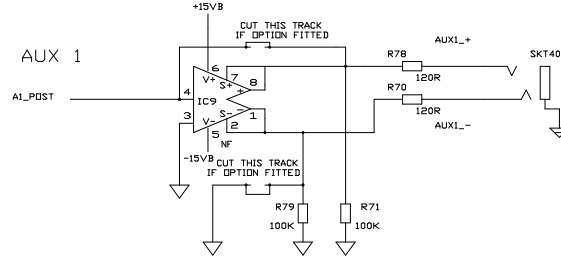
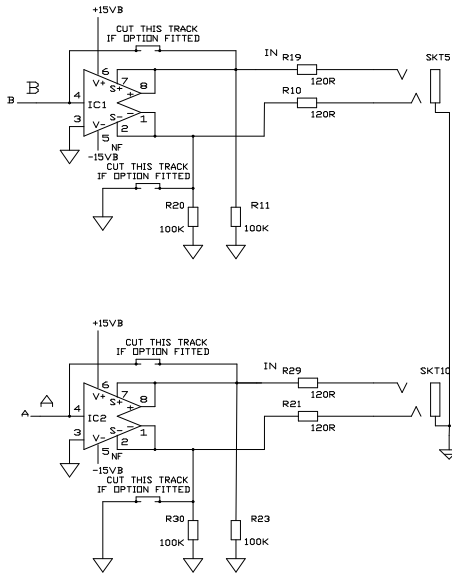
ALLEN & HEATH A DIVISION OF HARMAN INTERNATIONAL INDUSTRIES LIMITED

DRAWING No. C3399 ISSUE 3.2 A2

AUX OUT 1-6

BALANCED OUTPUT OPTION.  
 FOR BALANCED OPTION FIT SSM2142  
 INTO POSITIONS IC311,321,331,341,  
 351,361,371 AND 381.  
 NOTE/CUT TRACK AS NOTED IN 16  
 POSITIONS

A & B OUT

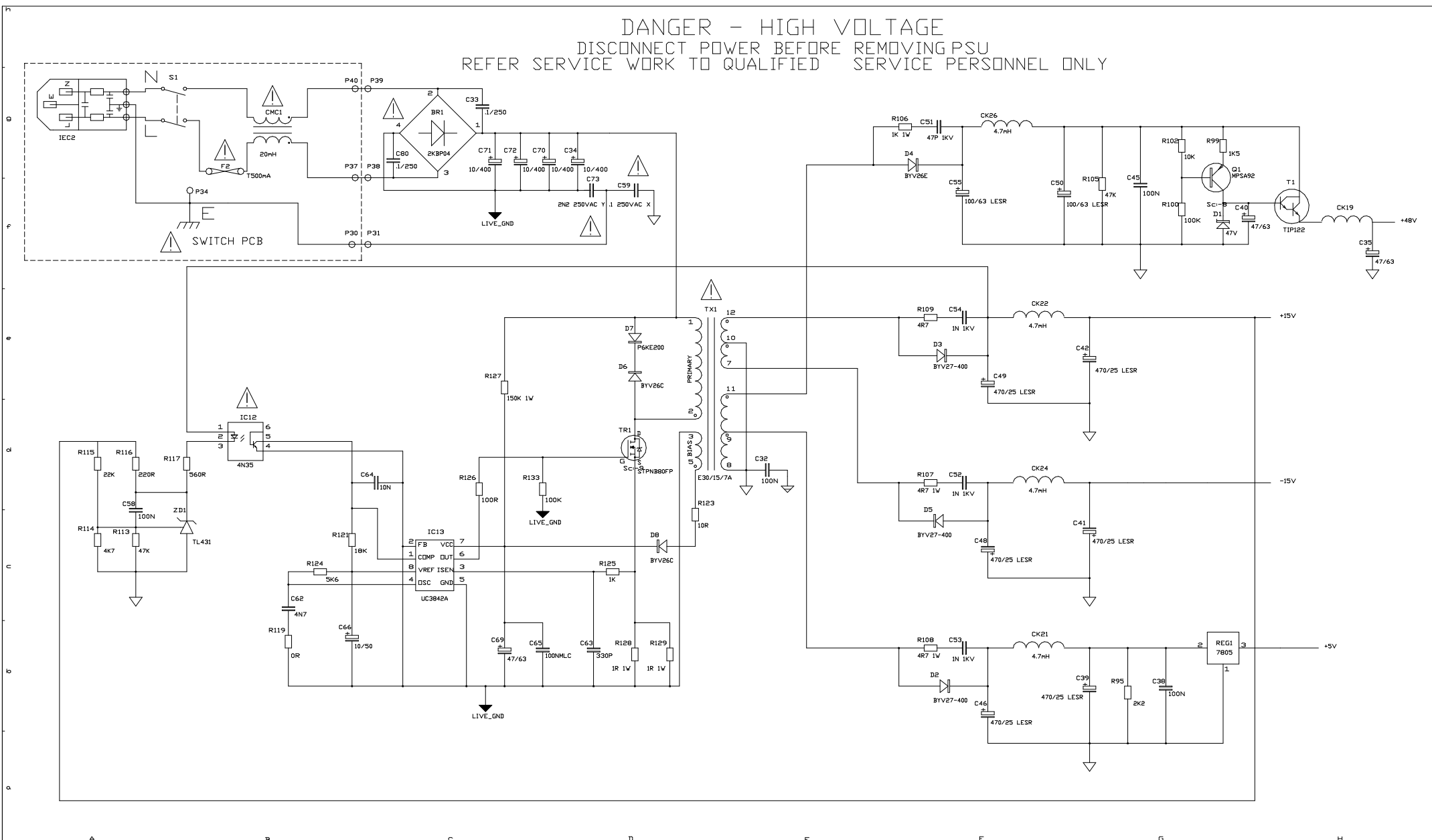


ISS.	REVISION	BY DATE	NOTES
1	PRODUCTION	ARJ 9-09-98	1. RESISTORS MARKED * ARE 1% ALL OTHERS ARE SZ 1/4W UNLESS OTHERWISE MARKED
2	PSU MODS	AAT05-10-98	
3	CHOKE ADDED	ARJ 05-02-99	
3.1	FILTER IEC	DwD 8-10-99	
3.2	PSU NOISE MODS.	DwD 9-11-99	2. ELECTROLYTIC CAPACITORS ARE 25V/VOLTS

UNIT TITLE  
 W216-2  
 PAGE  
 DRAWING TITLE  
 CIRCUIT DIAGRAM  
 CONNECTOR PCB

ALLEN & HEATH  
 KERNICK INDUSTRIAL ESTATE  
 PENRYN  
 CORNWALL  
 ENGLAND TR10 9LU  
 ALLEN & HEATH A DIVISION OF HARMAN INTERNATIONAL INDUSTRIES LIMITED  
 DRAWING No. C3399 ISSUE 3.2 A2  
 TEL. (44) (0) 1326 372070  
 FAX. (44) (0) 1326 377097

DANGER - HIGH VOLTAGE  
 DISCONNECT POWER BEFORE REMOVING PSU  
 REFER SERVICE WORK TO QUALIFIED SERVICE PERSONNEL ONLY



ISS.	REVISION	BY DATE	NOTES	UNIT TITLE	PAGE 4 OF 4	ALLEN & HEATH KERNICK INDUSTRIAL ESTATE PENRYN CORNWALL ENGLAND TR10 9LU ALLEN & HEATH A DIVISION OF HARMAN INTERNATIONAL INDUSTRIES LIMITED	
1	PRODUCTION	ARJ 9-09-98	1. RESISTORS MARKED * ARE 1% ALL OTHERS ARE SZ 1/4W UNLESS OTHERWISE MARKED  2. ELECTROLYTIC CAPACITORS ARE 2%V/VOLTS	W216-2		TEL: (44) (0) 1326 372070 FAX: (44) (0) 1326 377097	
2	PSU MODS	AAT05-10-98			CIRCUIT DIAGRAM		
3	CHOKE ADDED	ARJ 05-02-99			CONNECTOR PCB		
3.1	FILTER IEC	DWD 8-10-99					
3.2	PSU NOISE MODS.	DWD 9-11-99				DRAWING No. C3399 ISSUE 3.2 A2	