


CHASSIS EARTH ARRANGEMENT



- M3 NYLOK NUT (AB0102)
- 4BA EARTH TAGS (AK0002)
- M3 HALF NUT (AB0094)
- M3 SHAKEPROOF WASHER (AB0244)
- 4BA CHASSIS EARTH TAG

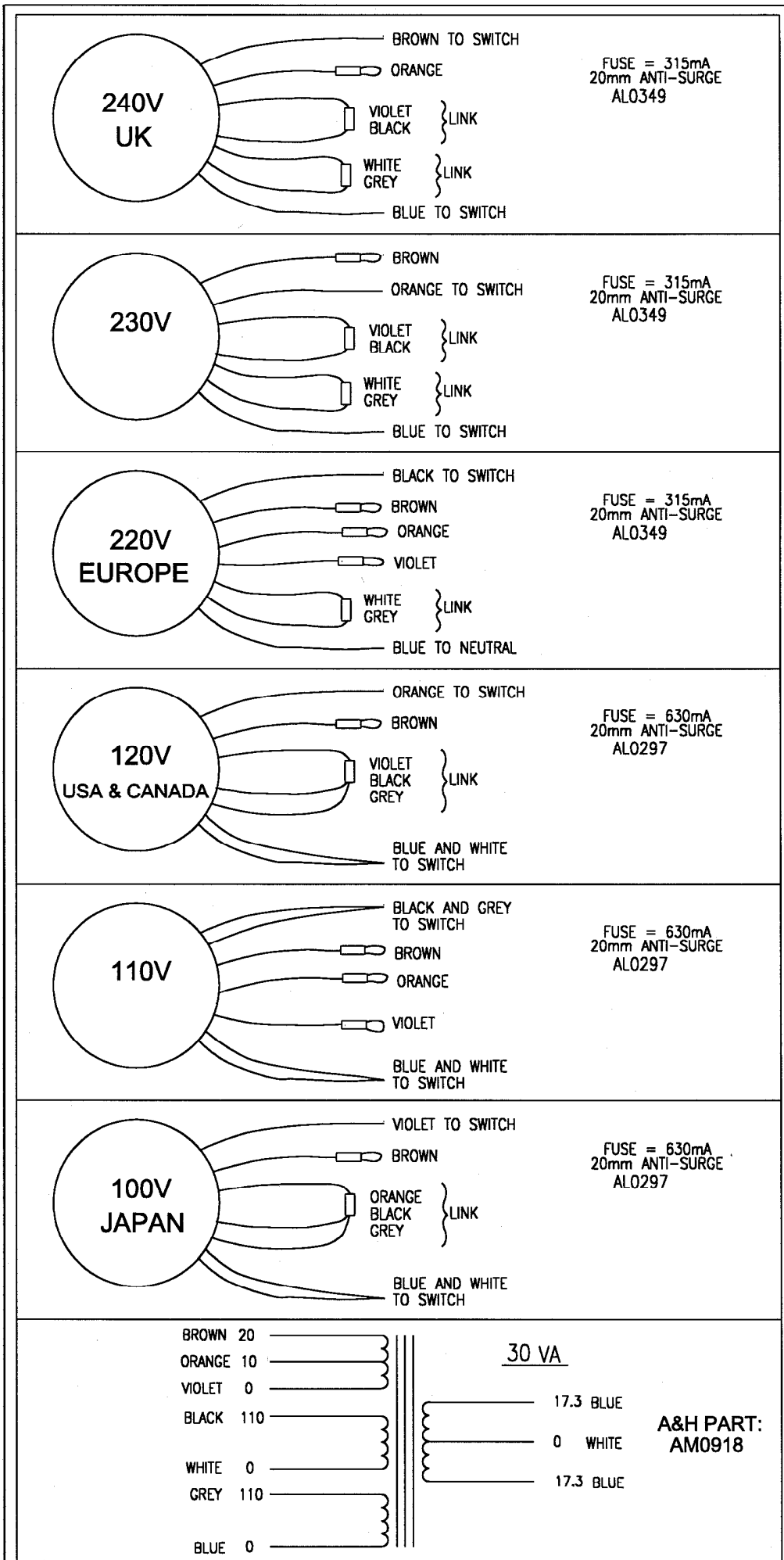
STICK EARTH LABEL (AN2799)
NEXT TO EARTH TERMINAL

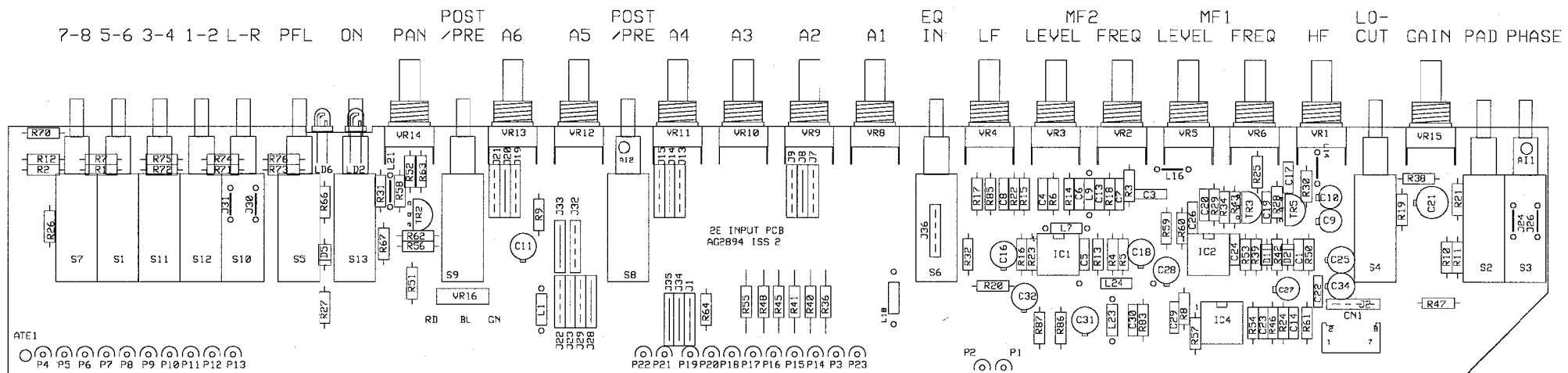
Main console unit removed for clarity

ISSUE	REVISION	BY	DATE	DRAWING TITLE	 ALLEN & HEATH KERN CK INDUSTRIAL ESTATE, PENRYN, CORNWALL TR10 9LU. TEL. 01326 372070 FAX. 01326 377097
1	PRODUCTION	IMcB	10-2-98	<h1>2e-4</h1> <h2>PSU ASSEMBLY</h2>	
					DRAWING No M002-321 ISSUE 1

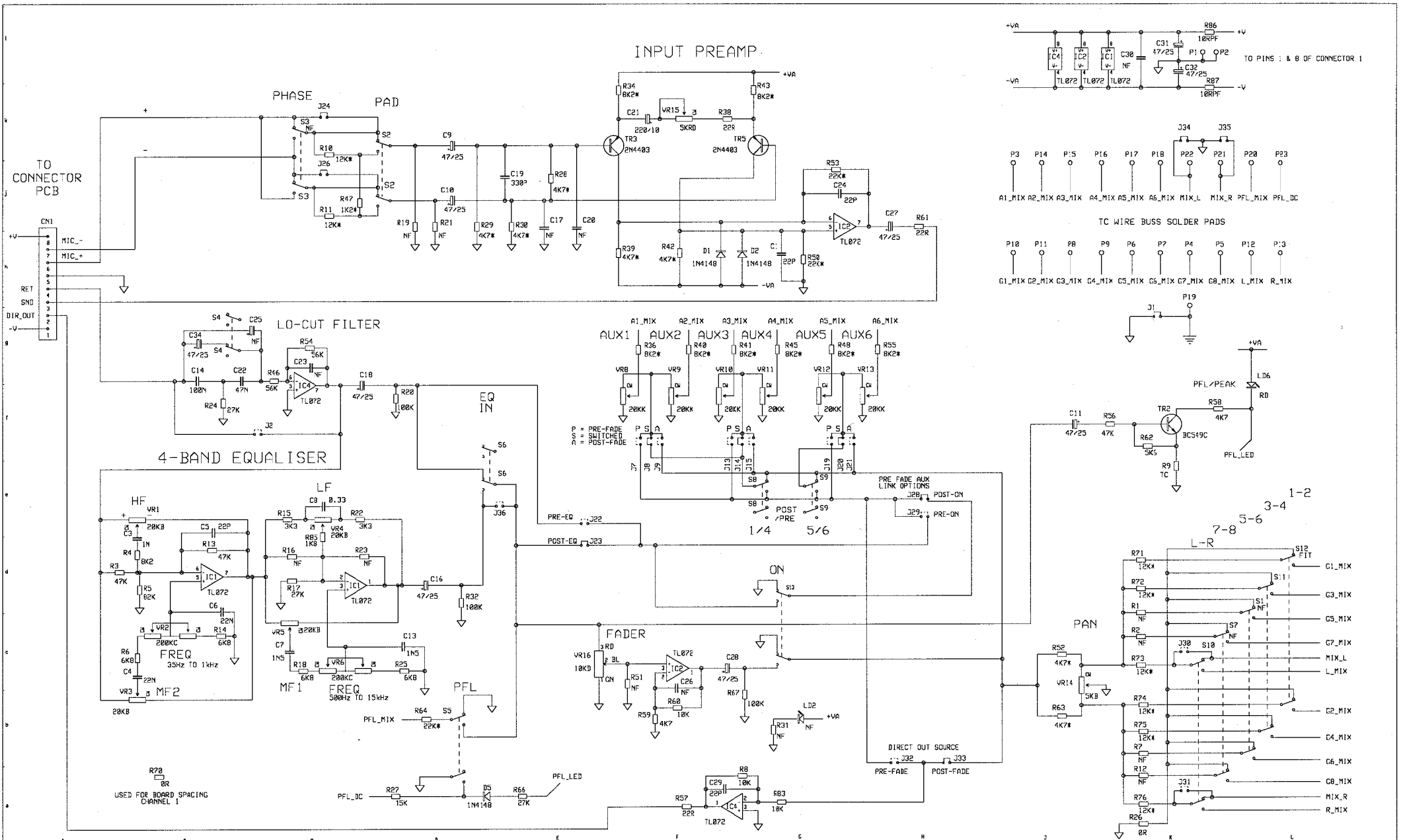
2e TRANSFORMER - MAINS WIRING

 = SLEEVED & UNCONNECTED.





FLEXI TO
CONNECTOR POD

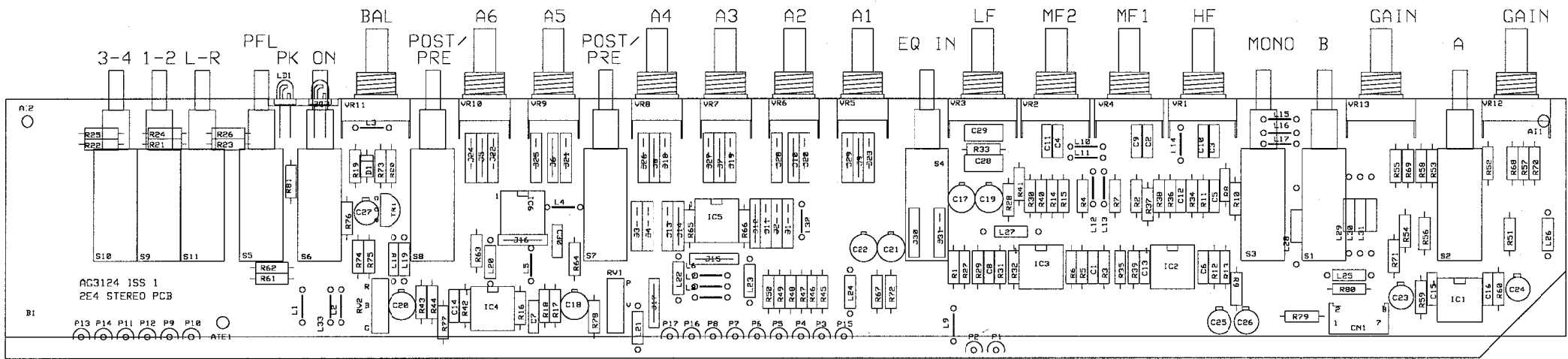


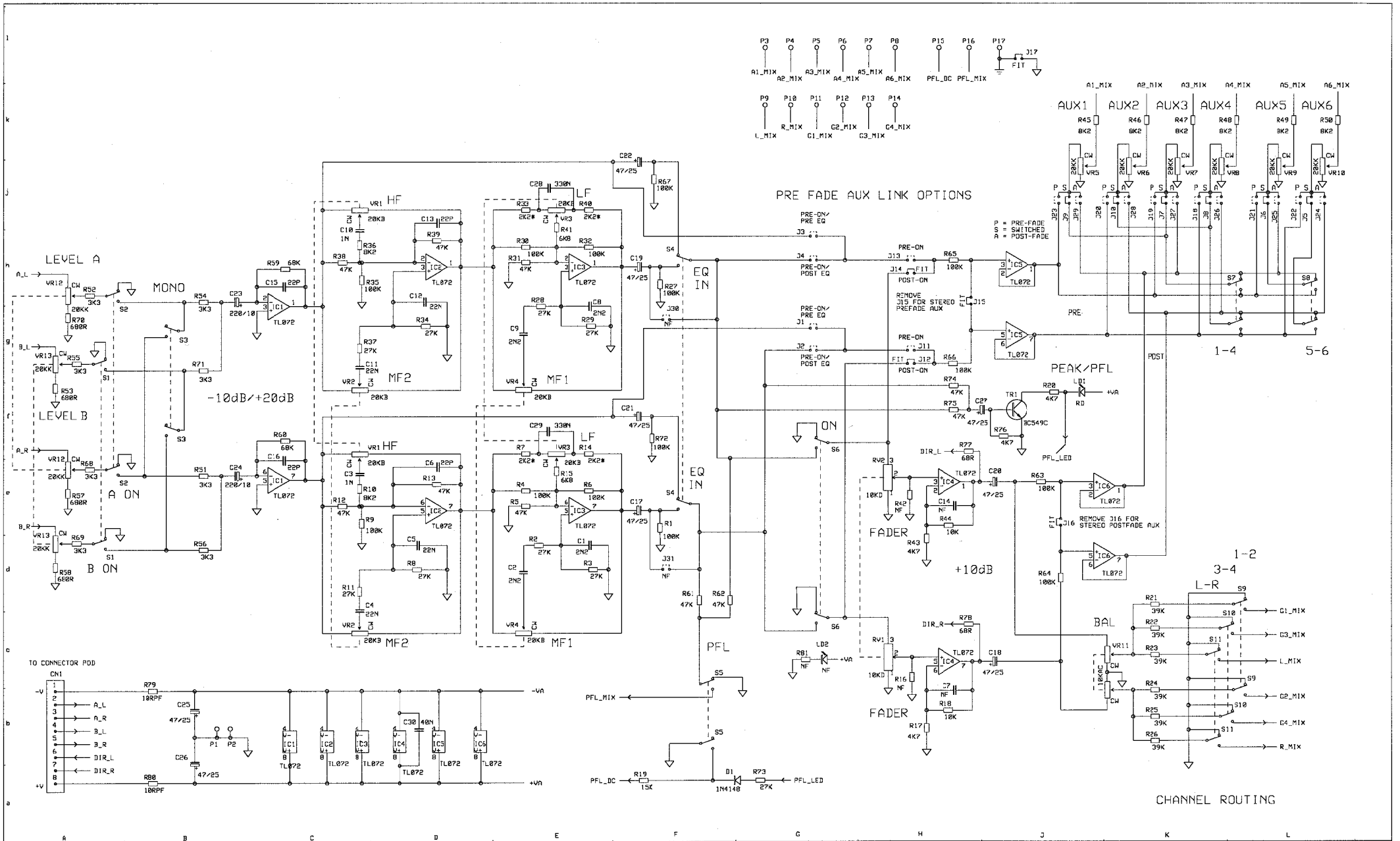
ISS.	REVISION	BY	DATE	NOTES
A	ORIGIN	ARJ	28/01/97	
1.4	2E-4 VALUES	ARJ	18-8-97	

1. RESISTORS MARKED # ARE 1%
 ALL OTHERS ARE 5% 1/4W UNLESS OTHERWISE MARKED
 2. ELECTROLYTIC CAPACITORS ARE #FAMULTS
 3. DO NOT MODIFY THIS Ckt. WITHOUT REFERENCE TO OTHER
 WORKING INPUT CTS.

PART TITLE
2E_4
 DRAWING TITLE
INPUT CIRCUIT DIAGRAM
 PCB TYPE AG2894

MANUFACTURED IN ENGLAND BY
ALLEN & HEATH
 DRAWING No. C2894 ISSUE 1 | A1





ISS.	REVISION	BY	DATE
A	ORIGIN	ARJ	27-5-97
B	VALUE UPDATES	ARJ	14-8-97

NOTES

- RESISTORS MARKED * ARE 1% ALL OTHERS ARE 5% 1/4W UNLESS OTHERWISE MARKED
- ELECTROLYTIC CAPACITORS RFBF/VOLTS

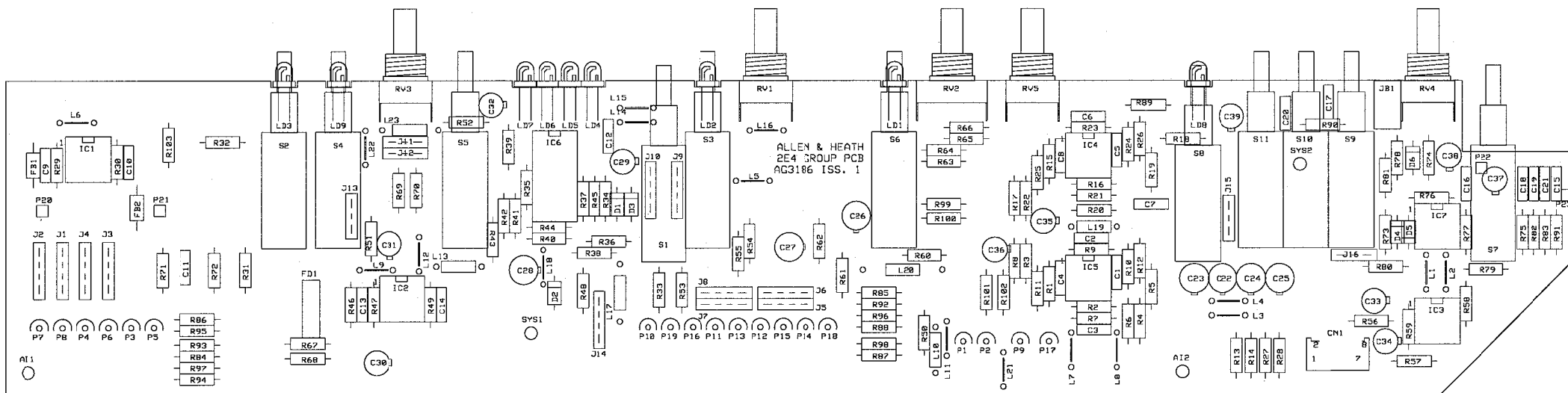
UNIT TITLE
2E-4

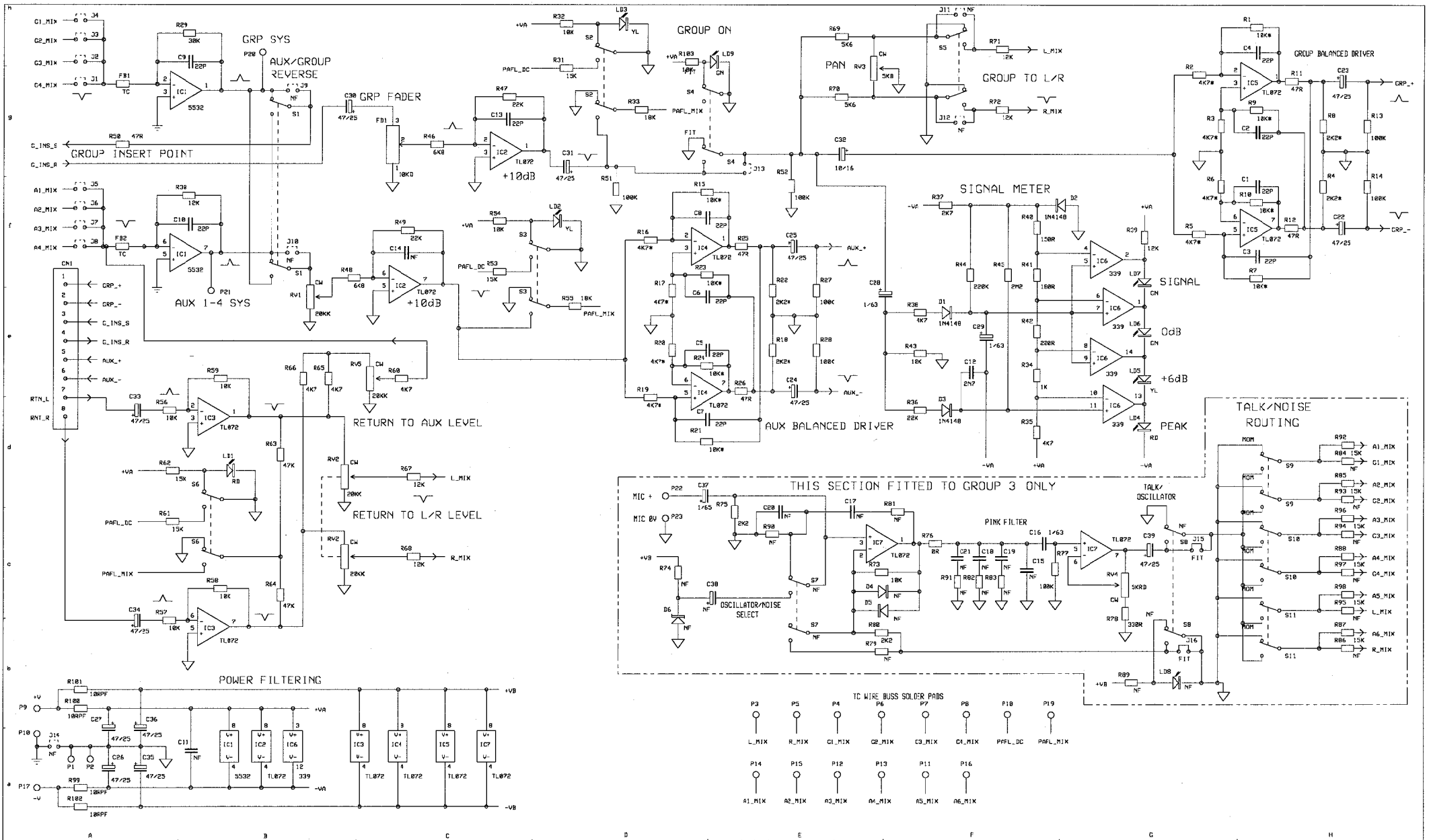
DRAWING TITLE
STEREO PCB

PCB AG3124

MANUFACTURED IN ENGLAND BY
ALLEN & HEATH

DRAWING No. **C3124** ISSUE **B** A1





ISS.	REVISION	BY DATE	NOTES
A	ORIGIN	ARJ 26-6-97	
B	VALUE UPDATES	ARD 14-8-97	
1	C28 VALUE CHANGE	DWD 14-11-97	
2	C32 VALUE CHANGE	ARJ 22-1-98	

1. RESISTORS MARKED # ARE 1%
ALL OTHERS ARE 5% 1/4W UNLESS OTHERWISE MARKED

2. ELECTROLYTIC CAPACITORS ARE μ FVOLTS

UNIT TITLE
2E-4

DRAWING TITLE
GROUP PCB

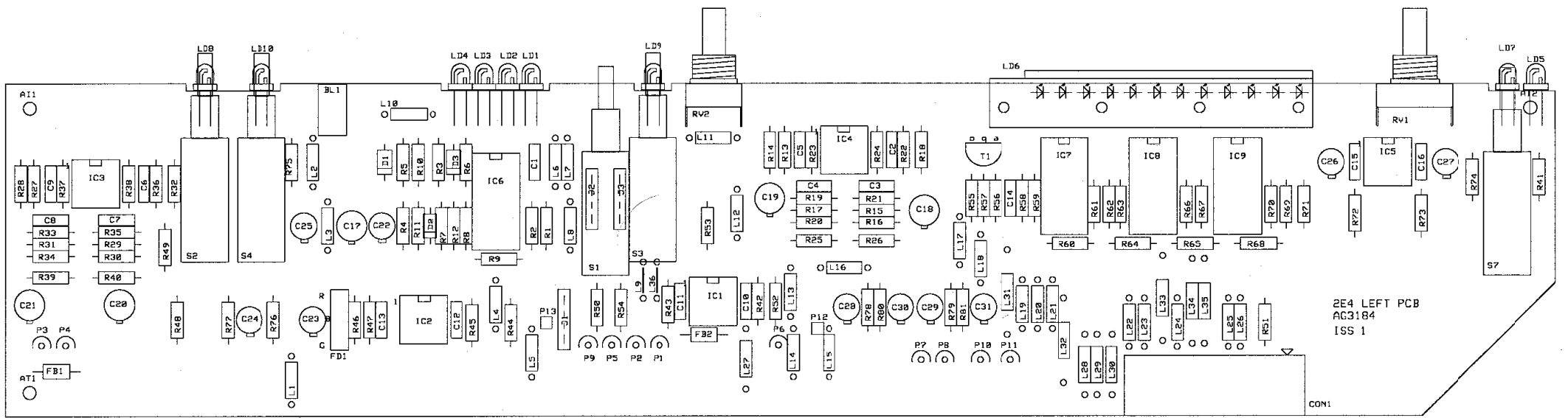
ISS. 347

MANUFACTURED IN ENGLAND BY
ALLEN & HEATH

DRAWING NO. M3186

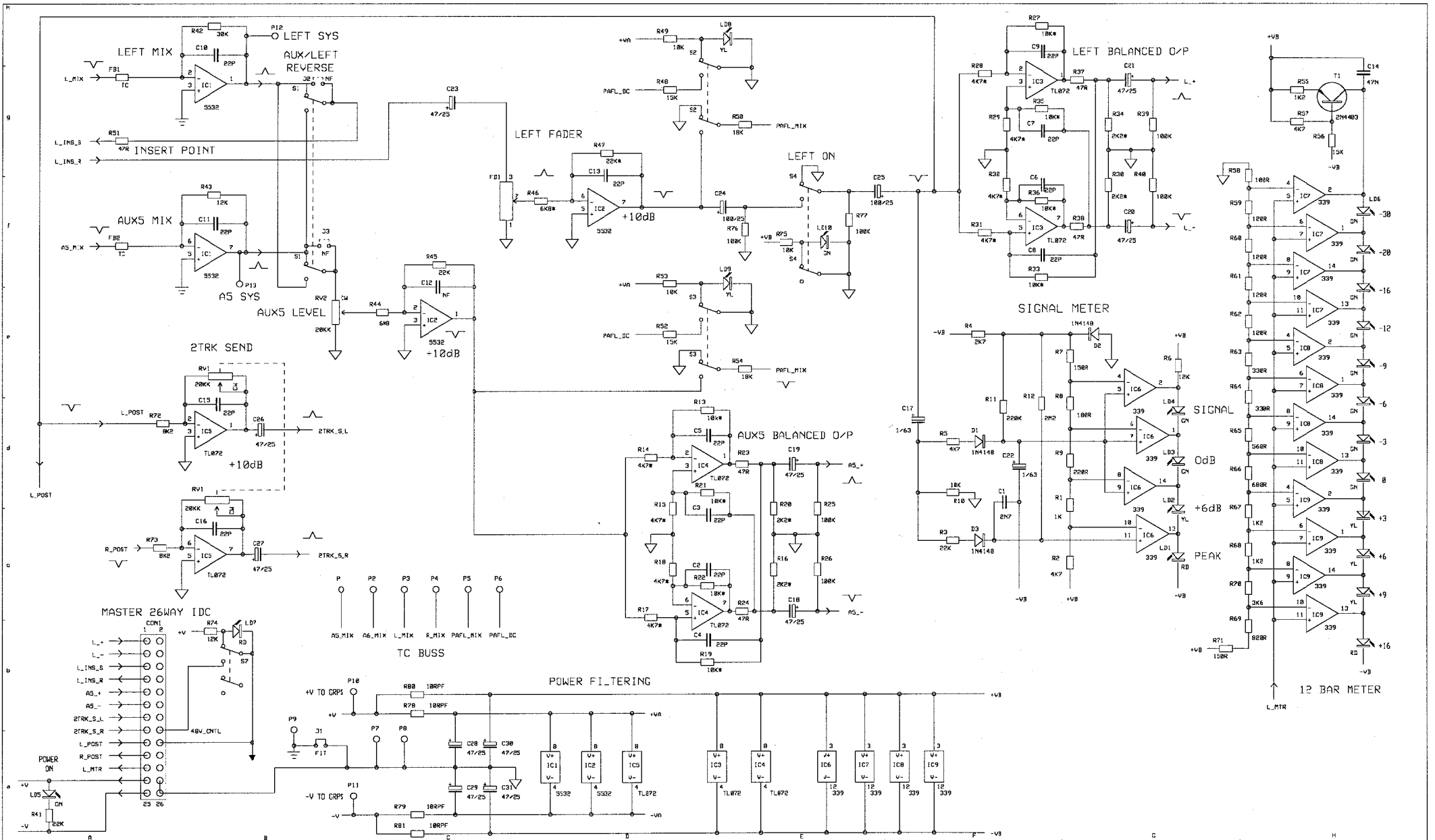
ISSUE 2

AP



RE4 LEFT PCB
 AC3184
 ISS 1

CON1



ISS.	REVISION	BY DATE
A	ORIGIN	ARJ 15-7-97
B	REVISED VALUES	ARJ 14-8-97
1	VALUE CHANGES	DWD 14-11-97

NOTES

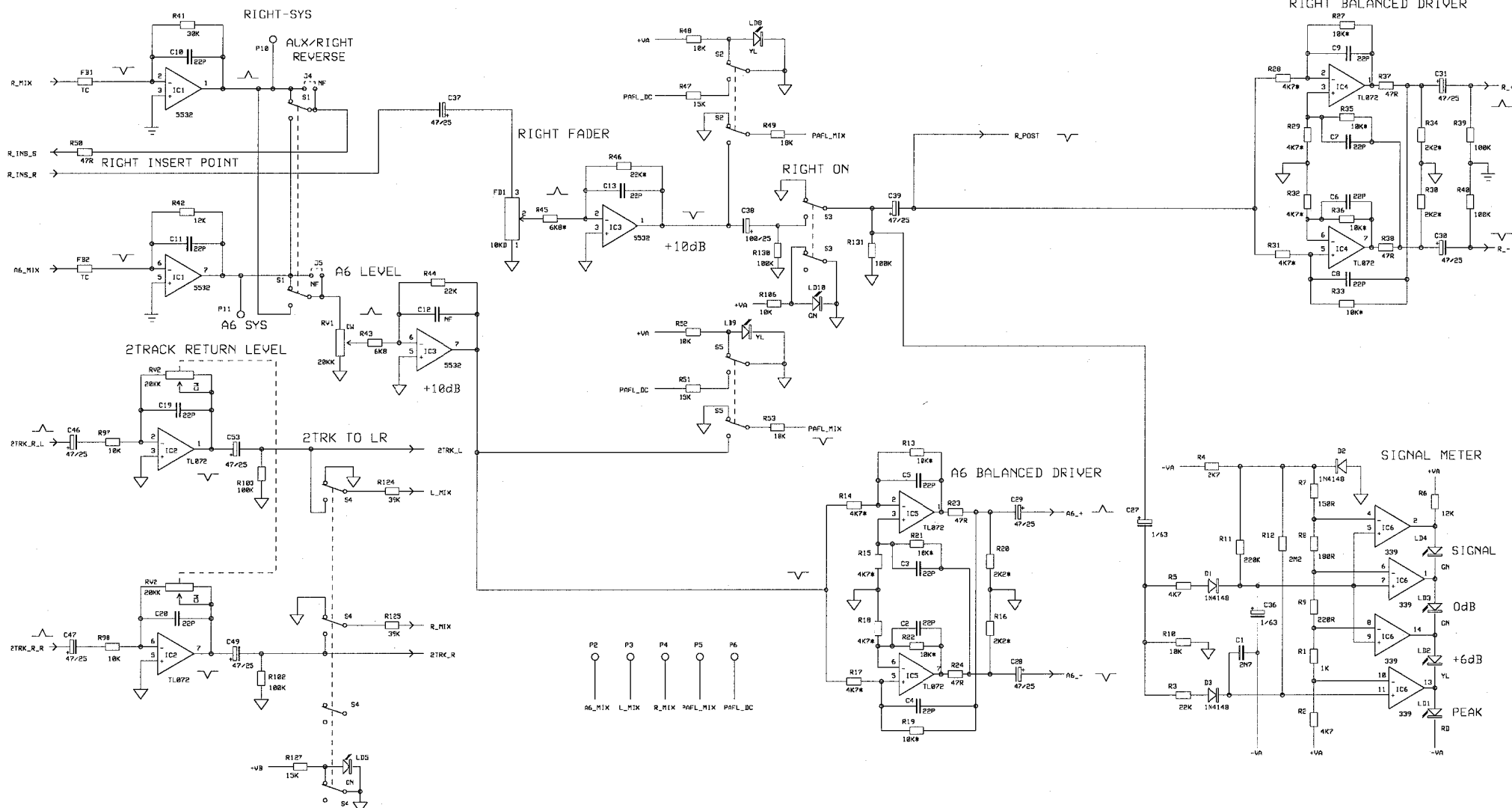
- RESISTORS MARKED * ARE 1% ALL OTHERS ARE 5% 1/4W UNLESS OTHERWISE MARKED
- ELECTROLYTIC CAPACITORS ARE µF/VOLTS

UNIT TITLE
2E-4

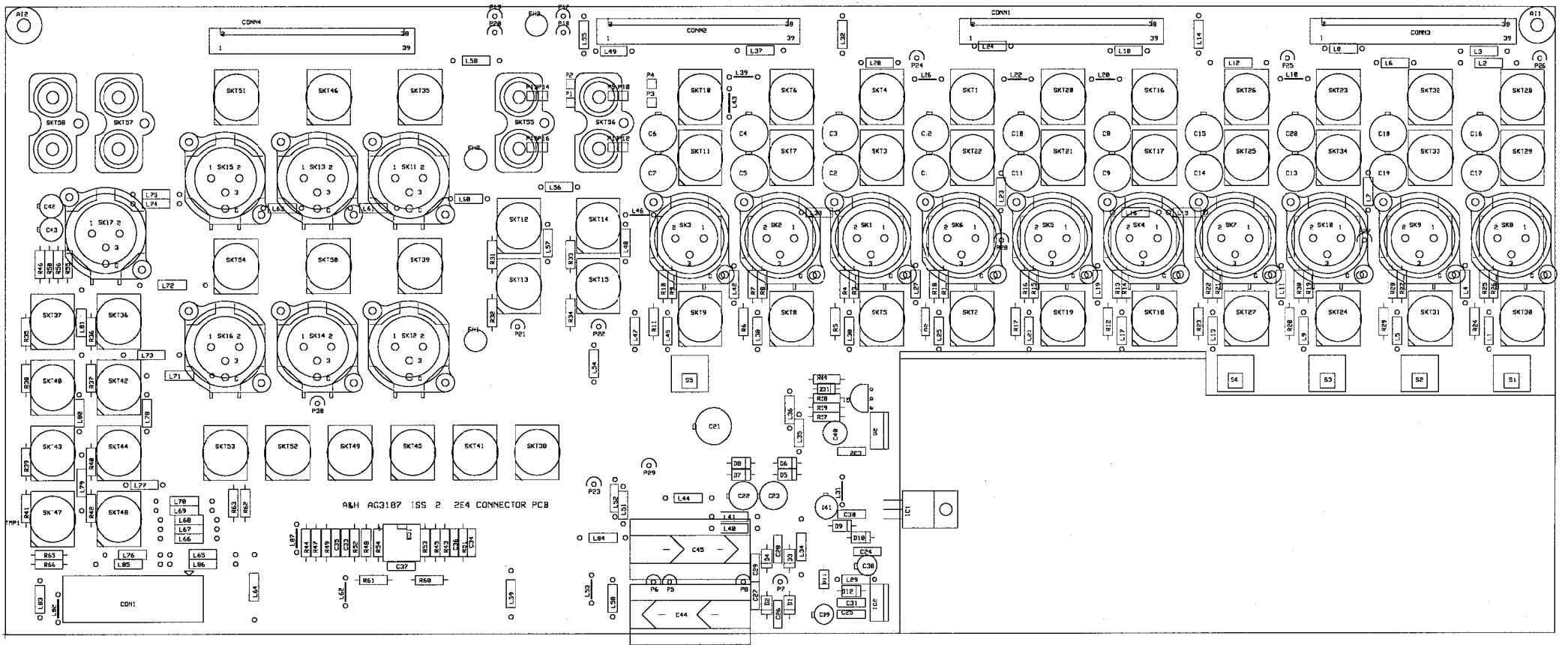
DRAWING TITLE
LEFT PCB CIRCUIT DIAGRAM
PCB AC3184 RG347

MANUFACTURED IN ENGLAND BY
ALLEN & HEATH

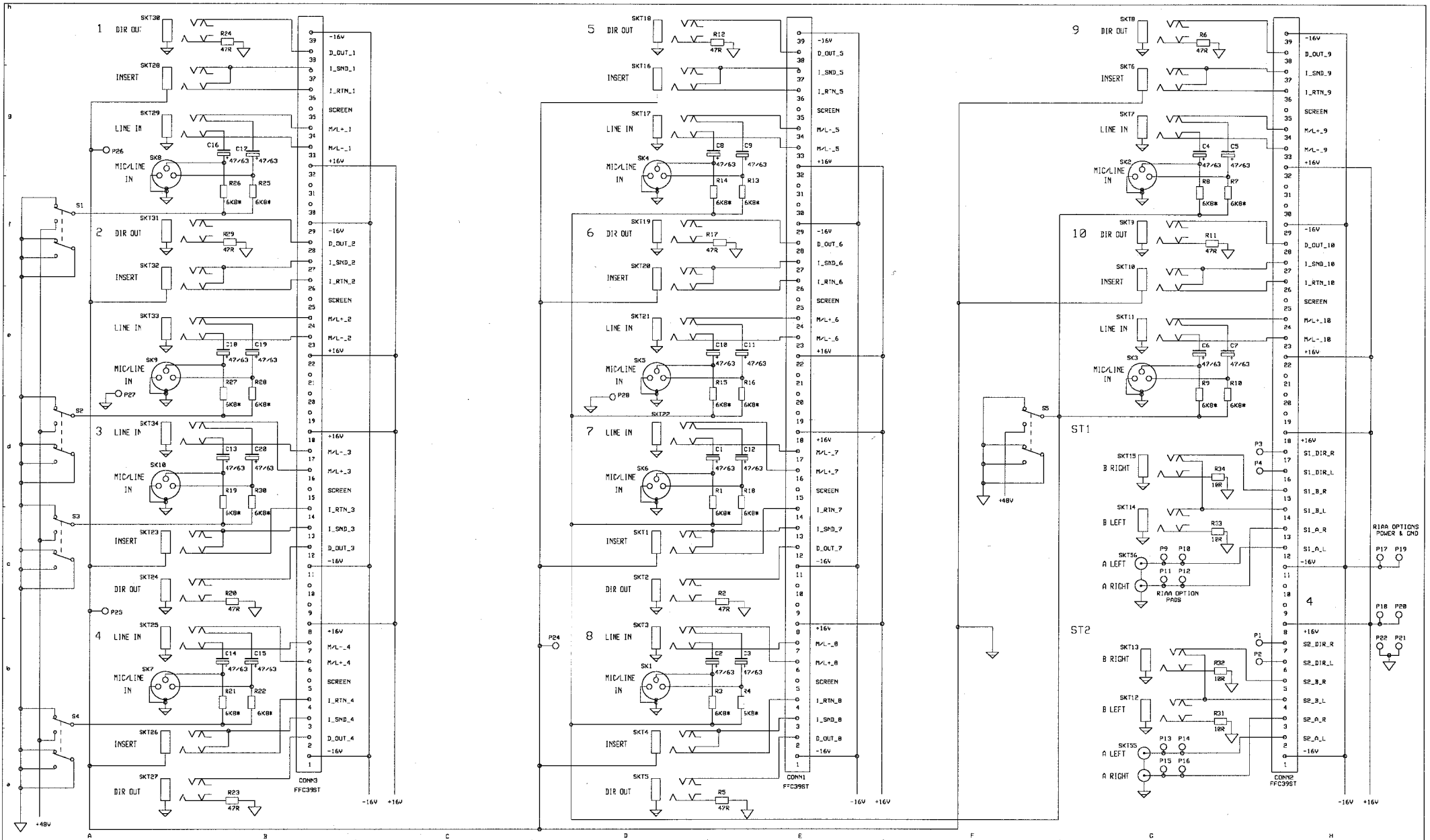
DRAWING NO. C3184 ISSUE 1



ISS.	REVISION	BY	DATE	NOTES	UNIT TITLE	PAGE	OF	MANUFACTURED IN ENGLAND BY	
A	ORIGIN	ARJ	10-6-97	1. RESISTORS MARKED * ARE 1% ALL OTHERS ARE 5% 1/4W UNLESS OTHERWISE MARKED 2. ELECTROLYTIC CAPACITORS ARE μ F/VOLTS	2E-4		1	ALLEN & HEATH	
3	UPDATES	ARJ	18-8-97					2	
C	VALUE CHANGE R5	ARJ	29-10-97						
1	C24 ADDED	ARJ	04-11-97			DRAWING TITLE			DRAWING No. C3185
2	VALUE CHANGES	DWD	14-11-97			RIGHT PCB			ISSUE 3
3	C48 VALUE CHANGE	DWD	21-11-97					RG347	



DIR OUT IN LINE INSERT



ISS.	REVISION	BY DATE	NOTES
A	ORIGIN	ARJ 3-7-97	1. RESISTORS MARKED * ARE 1K ALL OTHERS ARE 3/4W UNLESS OTHERWISE MARKED 2. ELECTROLYTIC CAPACITORS ARE µFVAULTS
B	UPDATES	ARJ 19-8-97	
1	PRODUCTION	AAT 3-11-97	

UNIT TITLE
2E-4

DRAWING TITLE
CONNECTOR PCB

MANUFACTURED IN ENGLAND BY
ALLEN & HEATH

PAGE 1 OF 2

DRAWING No. **C3187**

ISSUE **1**

PCB AG3187/1

MANUFACTURED IN ENGLAND BY
ALLEN & HEATH

PAGE 1 OF 2

DRAWING No. **C3187**

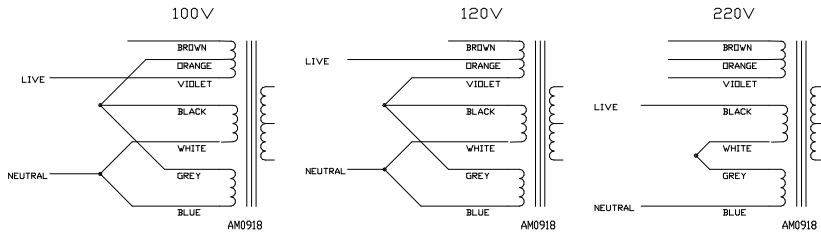
ISSUE **1**

PCB AG3187/1

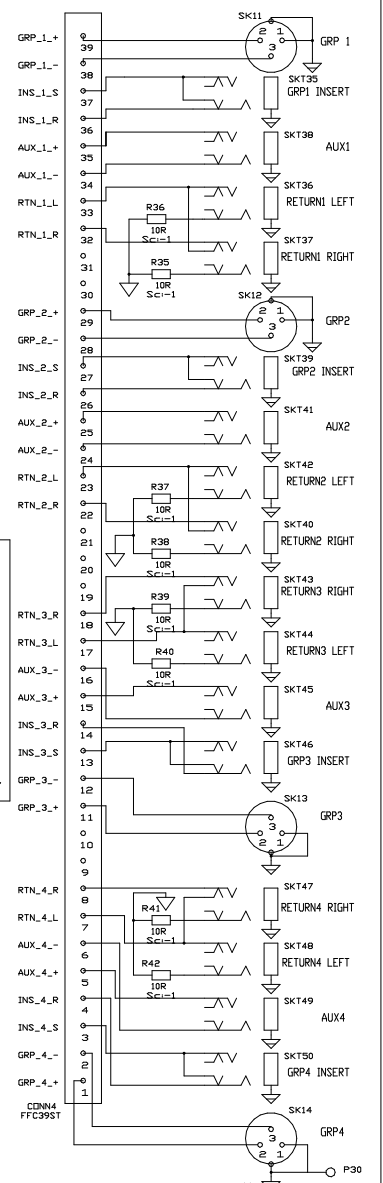
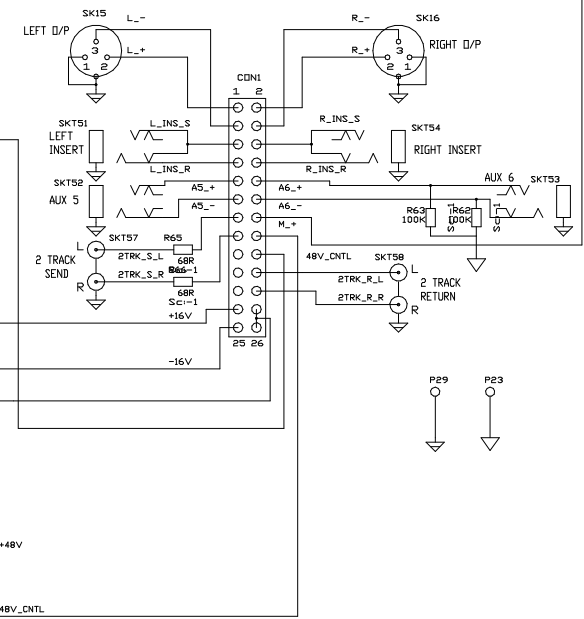
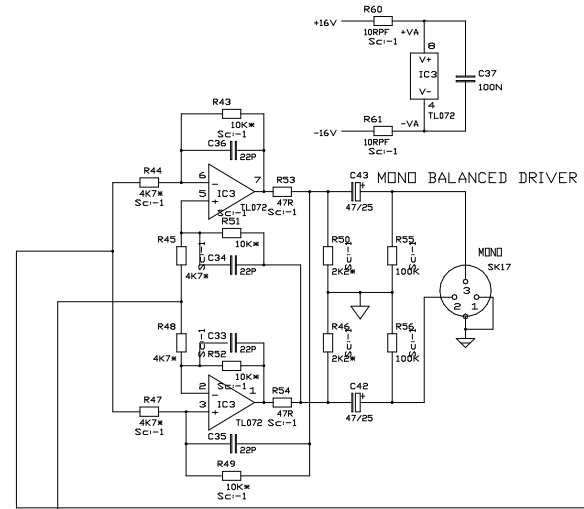
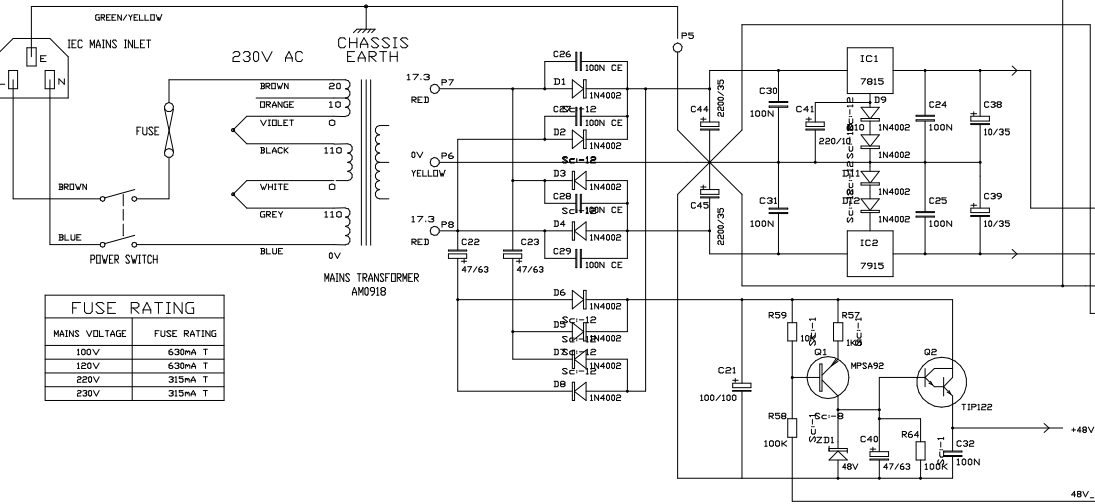
RC 347
 A2

DANGER - HIGH VOLTAGE!
 DISCONNECT MAINS SUPPLY BEFORE WORKING ON THIS UNIT
 REFER SERVICE WORK TO QUALIFIED SERVICE PERSONNEL ONLY

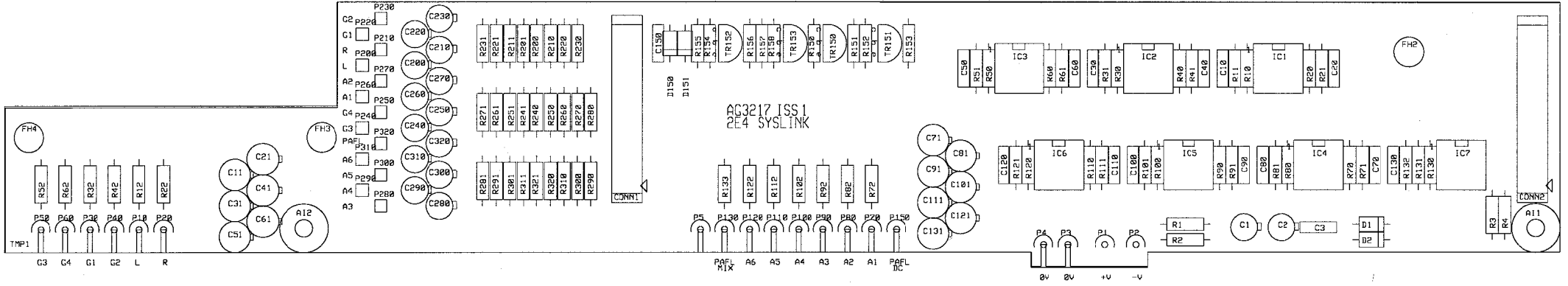
ALTERNATIVE VOLTAGE SETTINGS

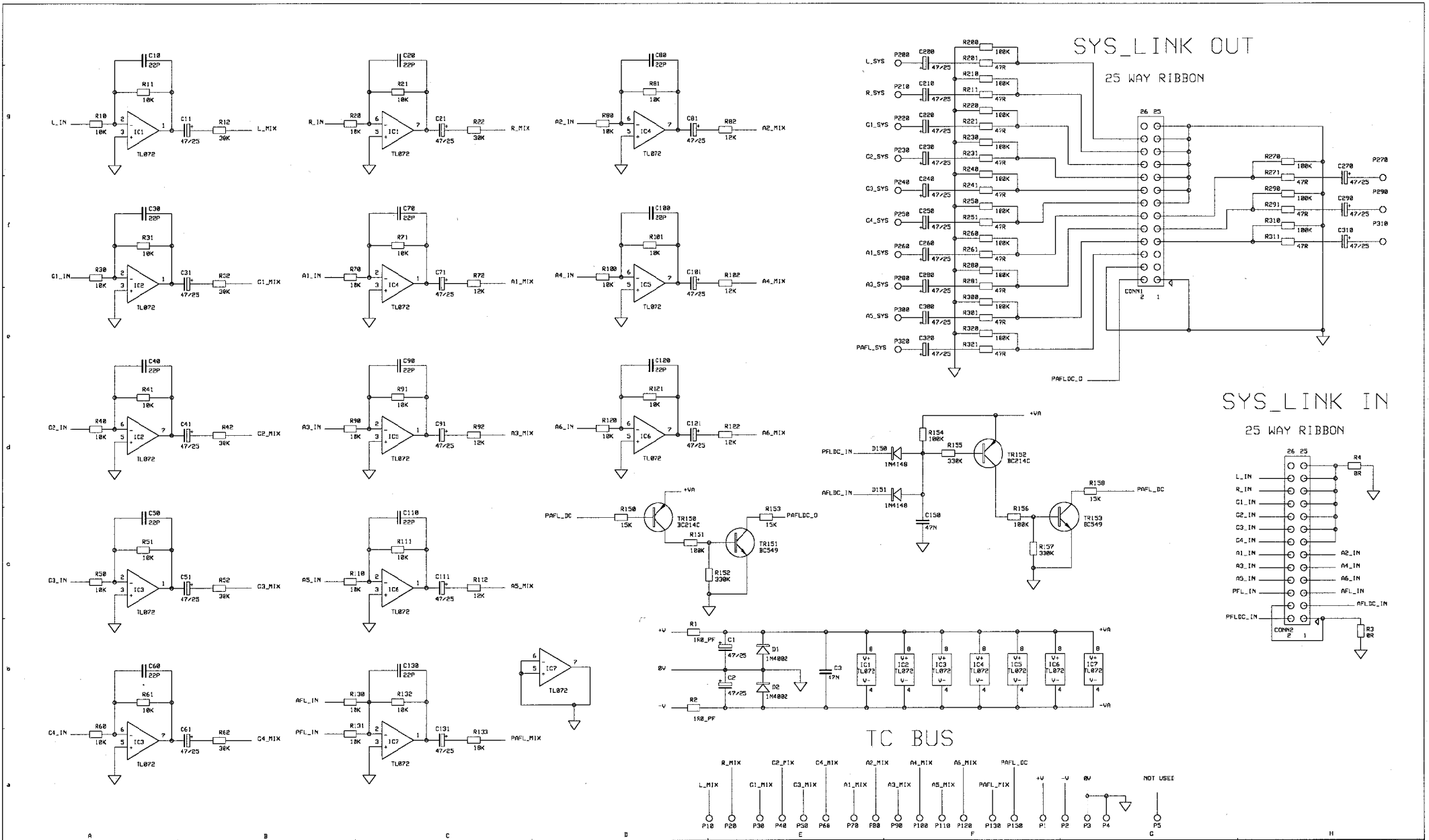


MAINS WIRING



ISS.	REVISION	BY DATE	NOTES	UNIT TITLE	MANUFACTURED IN ENGLAND BY
A	ORIGIN	ARJ 3-7-97	1. RESISTORS MARKED * ARE 1% ALL OTHERS ARE 5% 1/4W UNLESS OTHERWISE MARKED	2E-4	ALLEN & HEATH
B	UPDATES	ARJ 19-8-97	2. ELECTROLYTIC CAPACITORS ARE 7F/VOLTS	CONNECTOR PCB	ISSUE B
				PAGE 2 OF 2	RG 347
				PCB AG3187/1	A2





ISS.	REVISION	BY	DATE	NOTES
A	ORIGIN	AAT	15-08-97	
1	PRODUCTION	AAT	04-12-97	

NOTES

- RESISTORS MARKED * ARE 1% ALL OTHERS ARE 5% 1/4W UNLESS OTHERWISE MARKED
- ELECTROLYTIC CAPACITORS ARE µF/VOLTS

UNIT TITLE
2E4

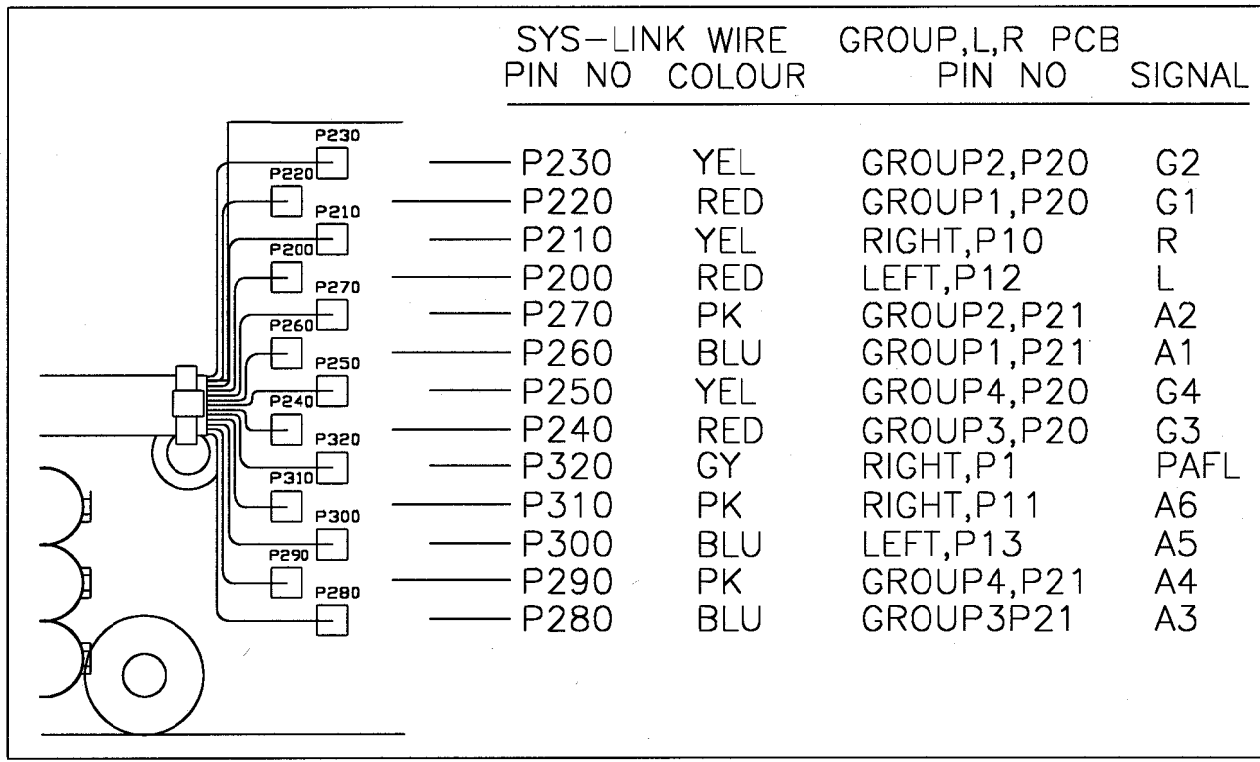
DRAWING TITLE
SYSLINK PCB
PCB TYPE AG3217

MANUFACTURED IN ENGLAND BY
ALLEN & HEATH

DRAWING No. C3217 ISSUE 1

RG347
A2

P320
 PAFL
 GY P310
 A6
 P210 PK
 R
 YEL
 P300
 A5
 P200 BLU
 L
 RED
 P290
 A4
 PK
 P250 G4
 YEL
 P280
 A3
 BLU
 P240 G3
 RED
 P270
 A2
 PK
 P230 G2
 YEL
 P260
 A1
 BLU
 P220 G1
 RED



CABLE TIES (AKO151) x 2

AG3217 ISSA 2E4 SYS-LINK

RED 16/0.2 70MM BLACK 16/0.2 70MM

ISSUE	REVISION	BY	DATE	NOTES
A	1	AAT	01-09-97	ALL DIMENSIONS IN mm UNLESS OTHERWISE STATED REMOVE ALL SHARP EDGES THIRD ANGLE PROJECTION

DRAWING TITLE 2E4 SYS-LINK
 PCB/WFM ASSY
 STOCK CODE M002-335

ALLEN & HEATH
 KERNICK INDUSTRIAL ESTATE
 PENRYN CORNWALL TRIO 9LU
 TEL 01326 372070
 FAX 01326 375736
 DRAWING No M002-335 SHEET ISSUE 1 A3

