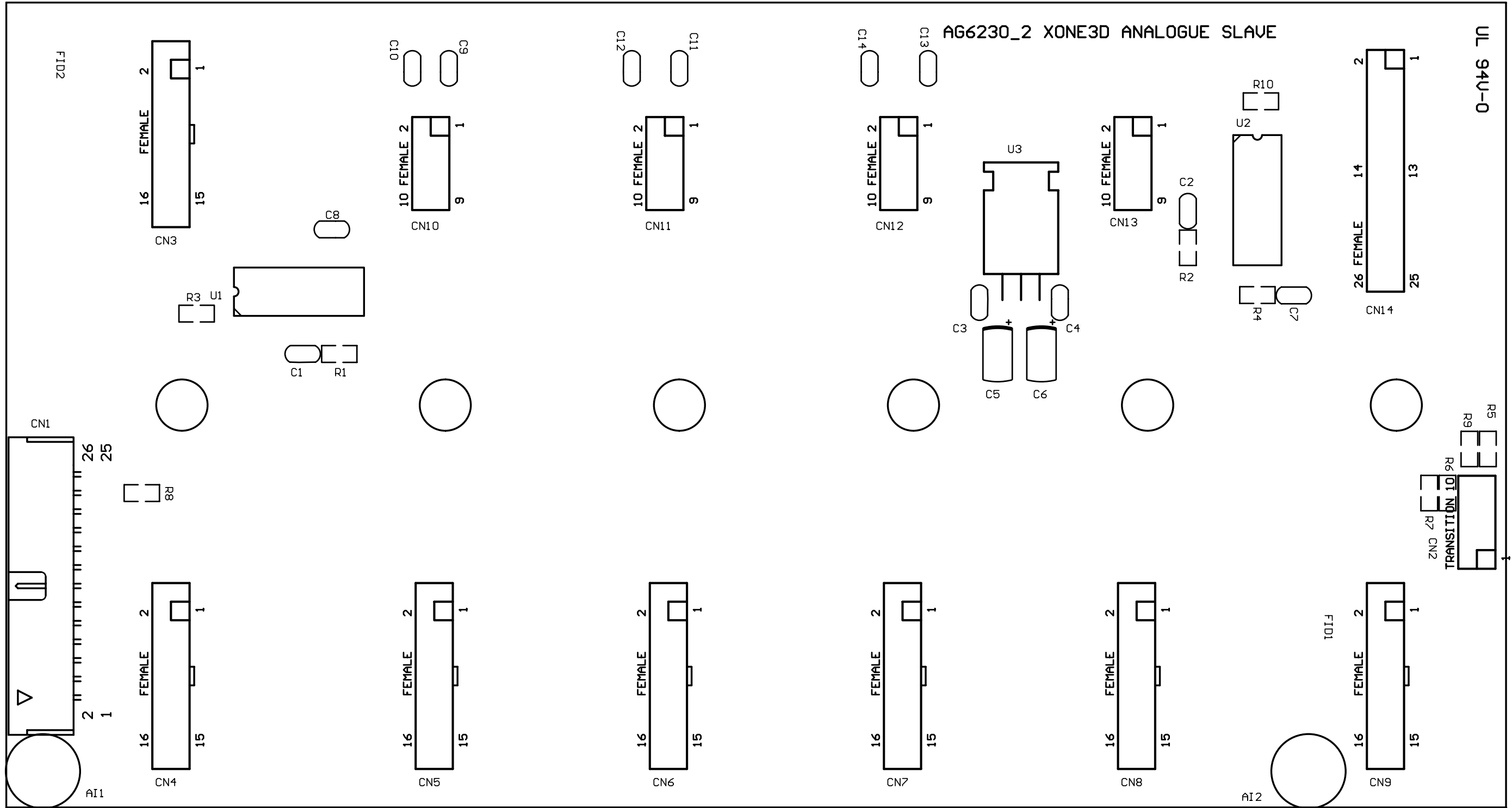


ALLEN&HEATH
 Kernick Industrial Estate,
 Penryn, Cornwall,
 England. TR10 9LU
 Tel: +44 (0)8707 556250
 Fax: +44 (0)8707 556251

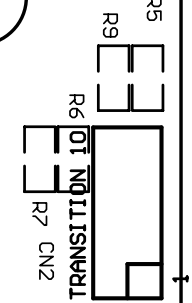
| ISSUE | BY | DATE | CHK BY |
|-------|-----|----------|--------|
| 2 | ARJ | 03-03-06 | |

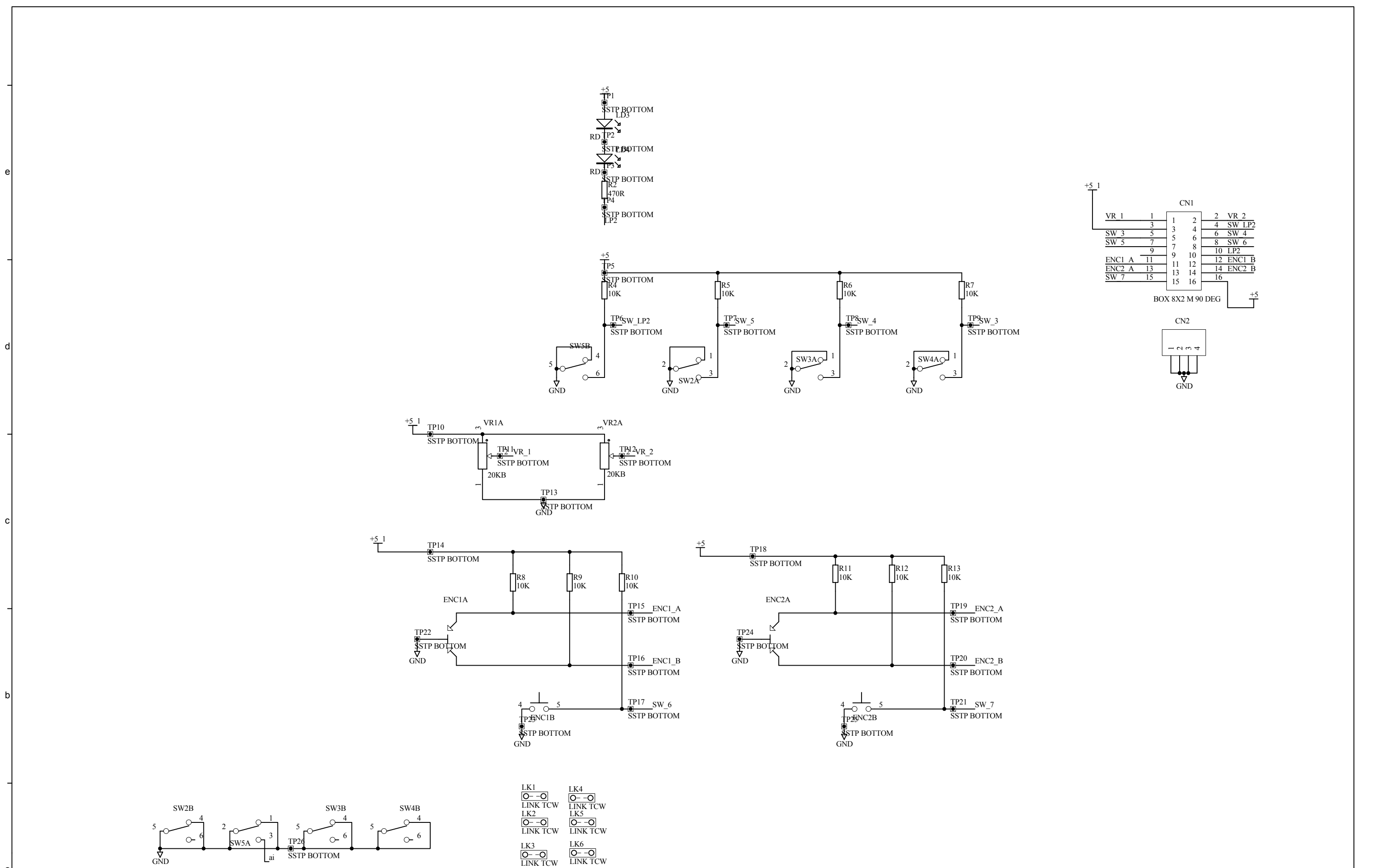
| | |
|----------------------------------|-------------------------------|
| FILE: C6230_2 ANALOGUE SLAVE.Sch | PRINTED: 14:36:26 25-Apr-2006 |
|----------------------------------|-------------------------------|

| |
|--------------------------------------|
| TITLE: Xone 3D analogue slave |
| PAGE: |
| DRG No: c6230 ISSUE: 2 SHEET: 1 OF 1 |



UL 94V-0





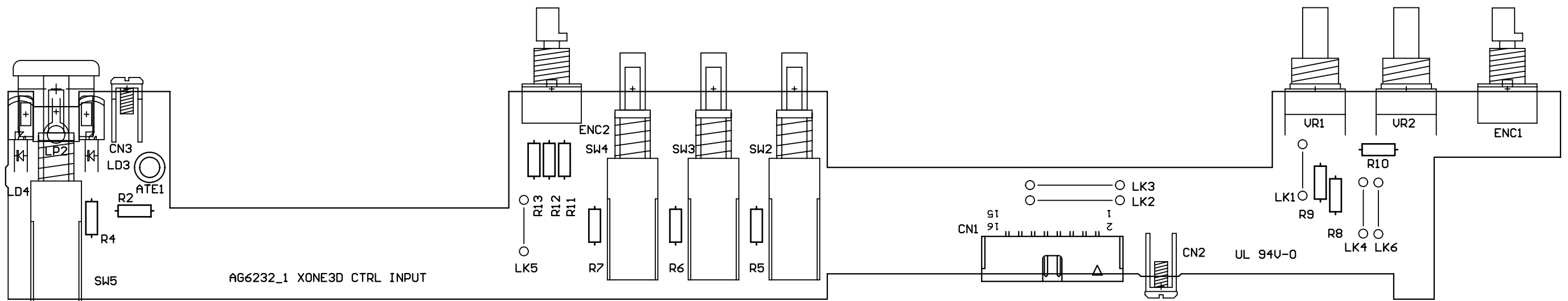
ALLEN&HEATH
 Kernick Industrial Estate,
 Penryn, Cornwall,
 England. TR10 9LU
 Tel: +44 (0)8707 556250
 Fax: +44 (0)8707 556251

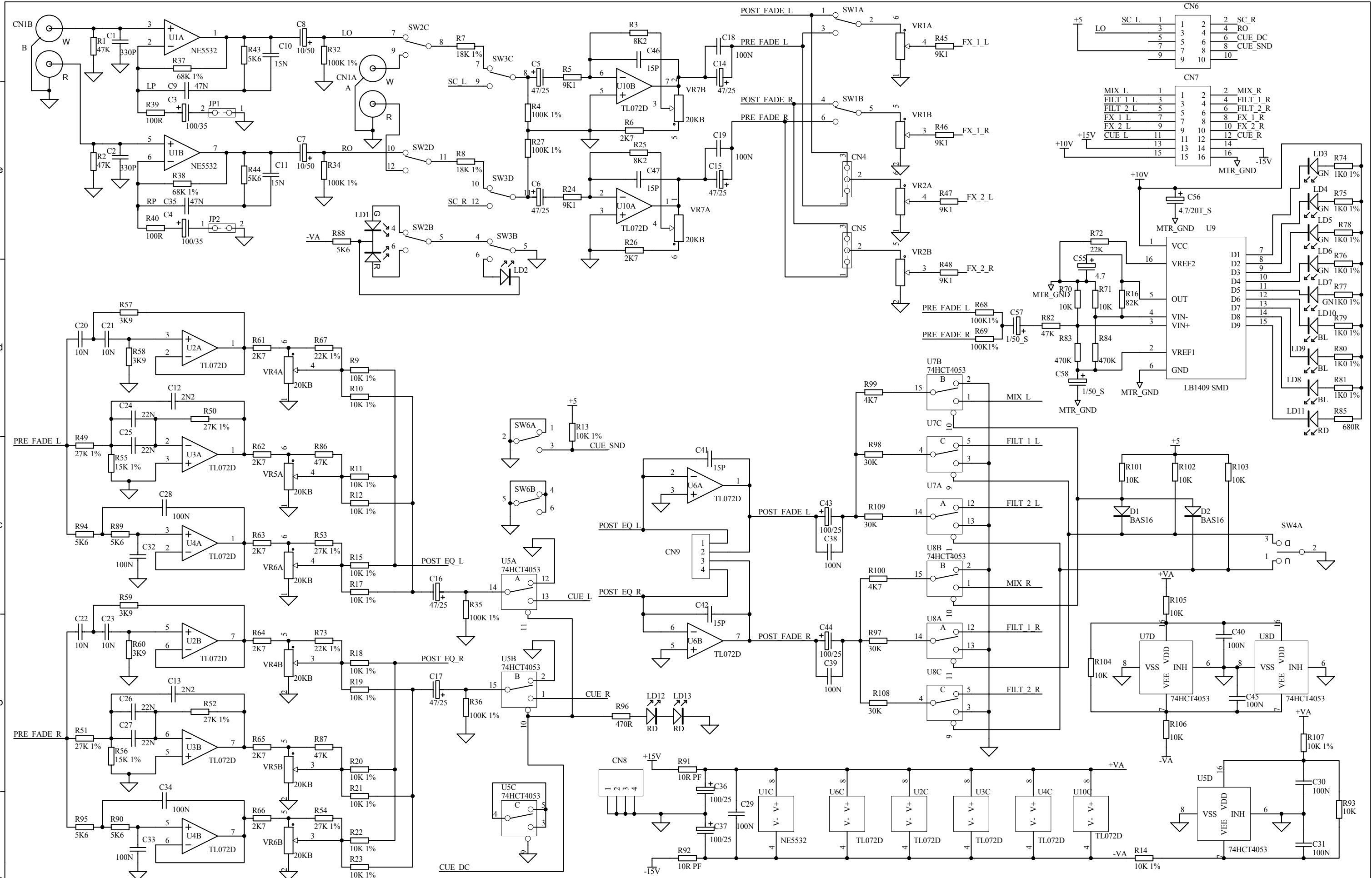
| ISSUE | BY | DATE | CHK BY |
|-------|----|------|--------|
| | | | |

| | | | | | | | | |
|--------------|--------------|-------|-------|---------------------|------------------------------------|------------------|----------------|----------------|
| | | | | | | | | |
| VR1B 20KB | VR2B 20KB | ENC1C | ENC2C | LP2 SW-LIGHTPIPE | CN3 EARTH SCREW TERMINAL NARROW | ATE1 HOLE-ATE | AI1 HOLE-AI | AI2 HOLE-AI |

FILE: CX6232_1 CTRL INPUT.Sch

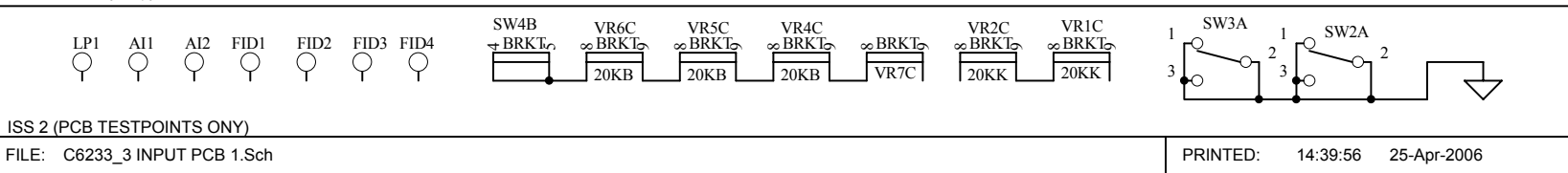
| | |
|---------|----------------------|
| TITLE: | |
| PAGE: | |
| DRG No: | ISSUE: SHEET: 0 of 0 |



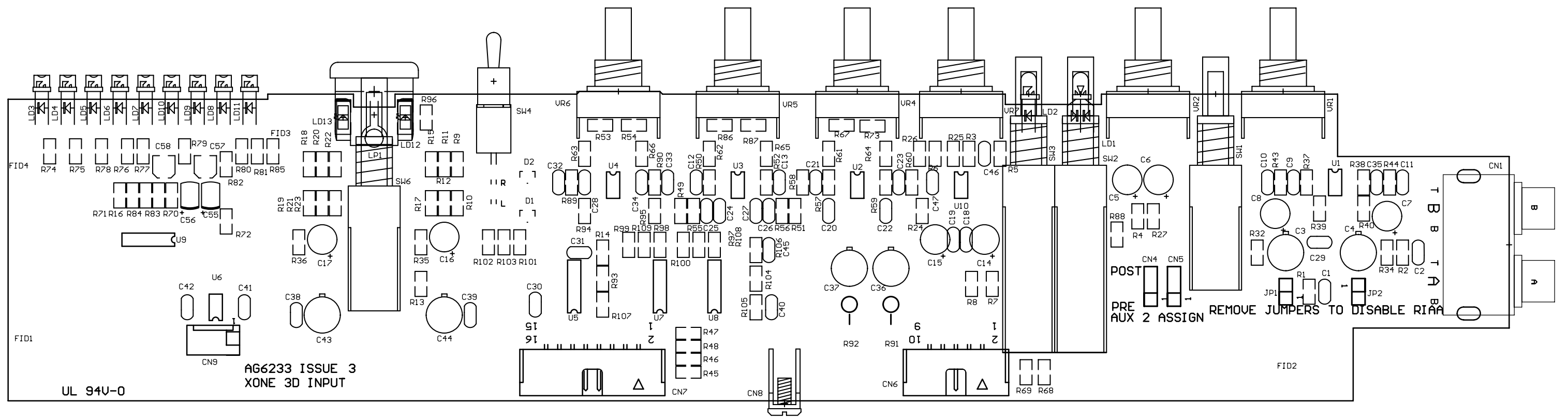


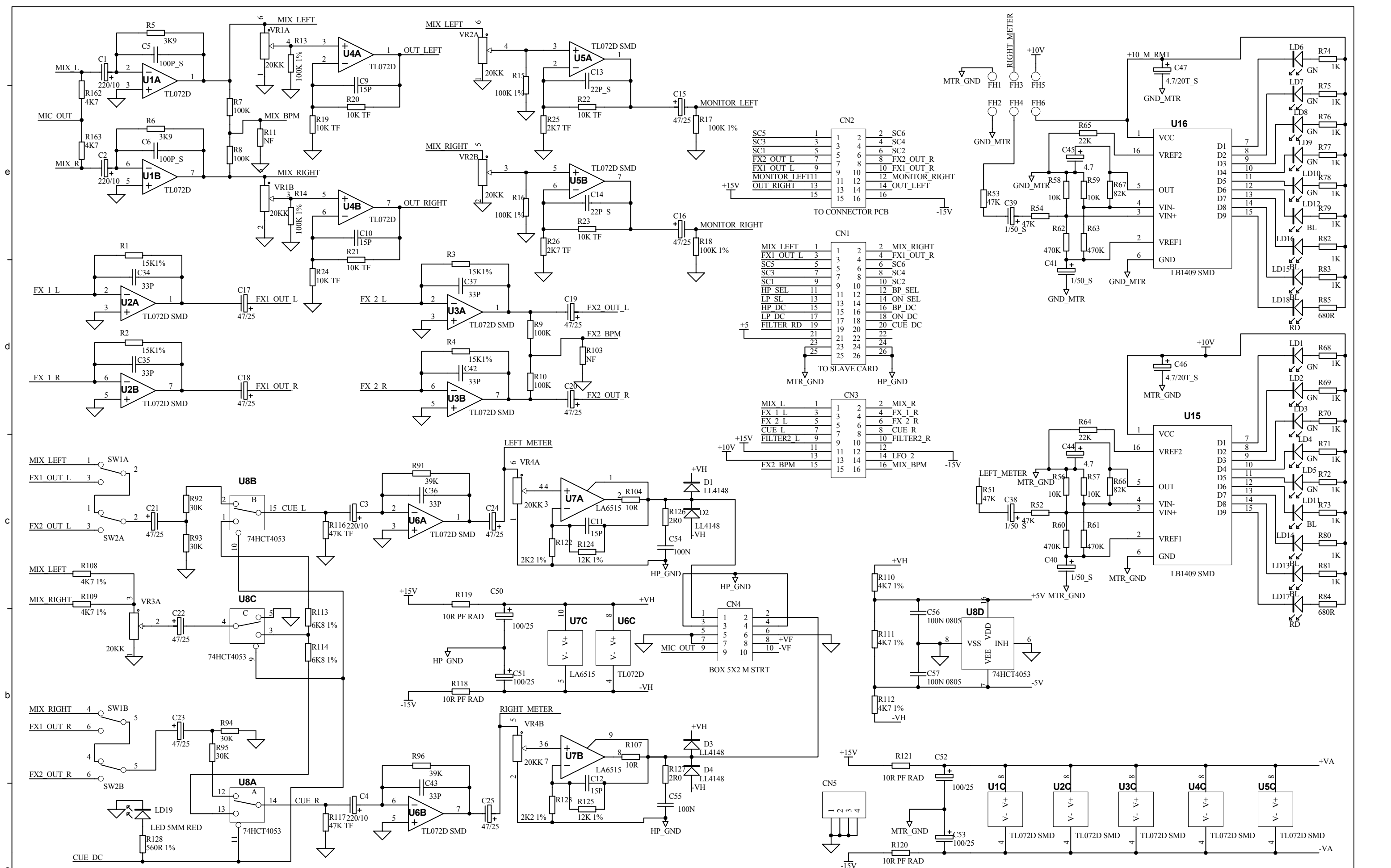
ALLEN&HEATH
 Kernick Industrial Estate,
 Penryn, Cornwall,
 England. TR10 9LU
 Tel: +44 (0)8707 556250
 Fax: +44 (0)8707 556251

| ISSUE | BY | DATE | CHK BY |
|-------|-----|----------|--------|
| B | ARJ | 21-06-05 | Text |
| 2 | AAT | 24-11-05 | |



TITLE: **XONE 3D INPUT PCB**
 PAGE:
 DRG No: C6233 ISSUE: 2 SHEET: 1 OF 1
 PRINTED: 14:39:56 25-Apr-2006





ALLEN&HEATH
 Kernick Industrial Estate,
 Penryn, Cornwall,
 England. TR10 9LU
 Tel: +44 (0)8707 556250
 Fax: +44 (0)8707 556251

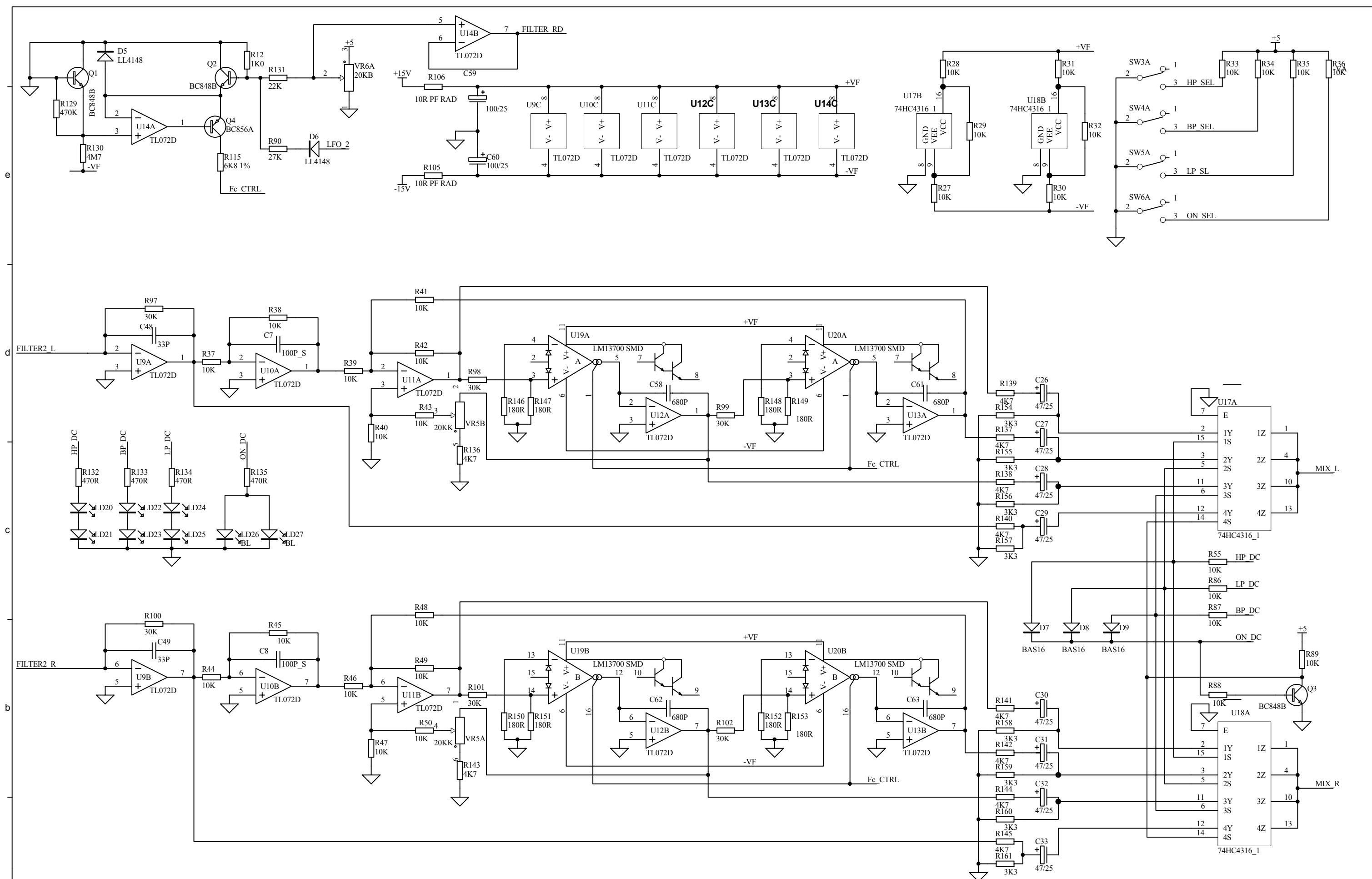
| ISSUE | BY | DATE | CHK BY |
|-------|------------|----------------------|--------|
| B | ARJ AAT | 21-06-05 24-11-05 | Text |

| | | | | |
|--------------|--------------|--------------|--------------|--------------|
| VR5C BRKT | VR4C BRKT | VR3B BRKT | VR2C BRKT | VR1C BRKT |
|--------------|--------------|--------------|--------------|--------------|

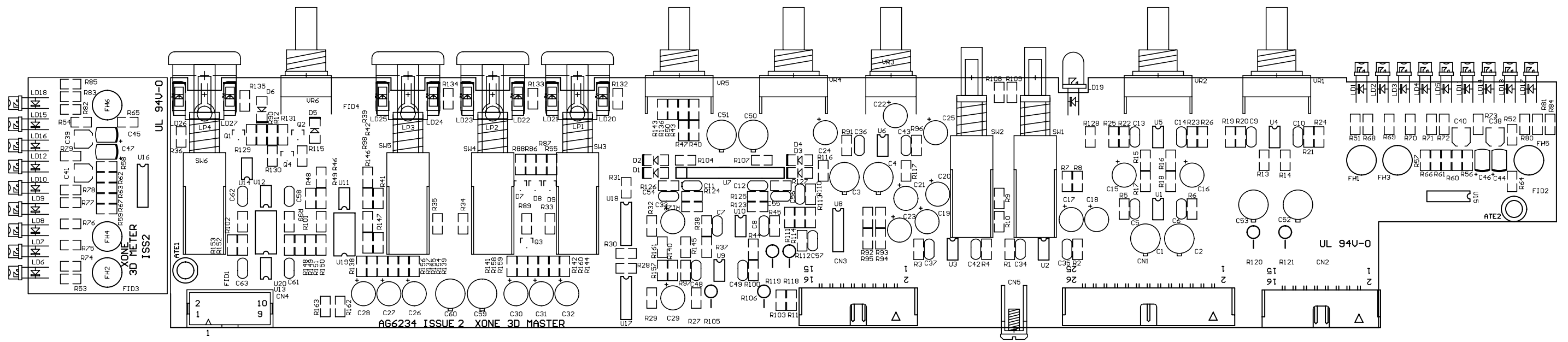
FILE: C6234_2 MASTER PCB 1.Sch

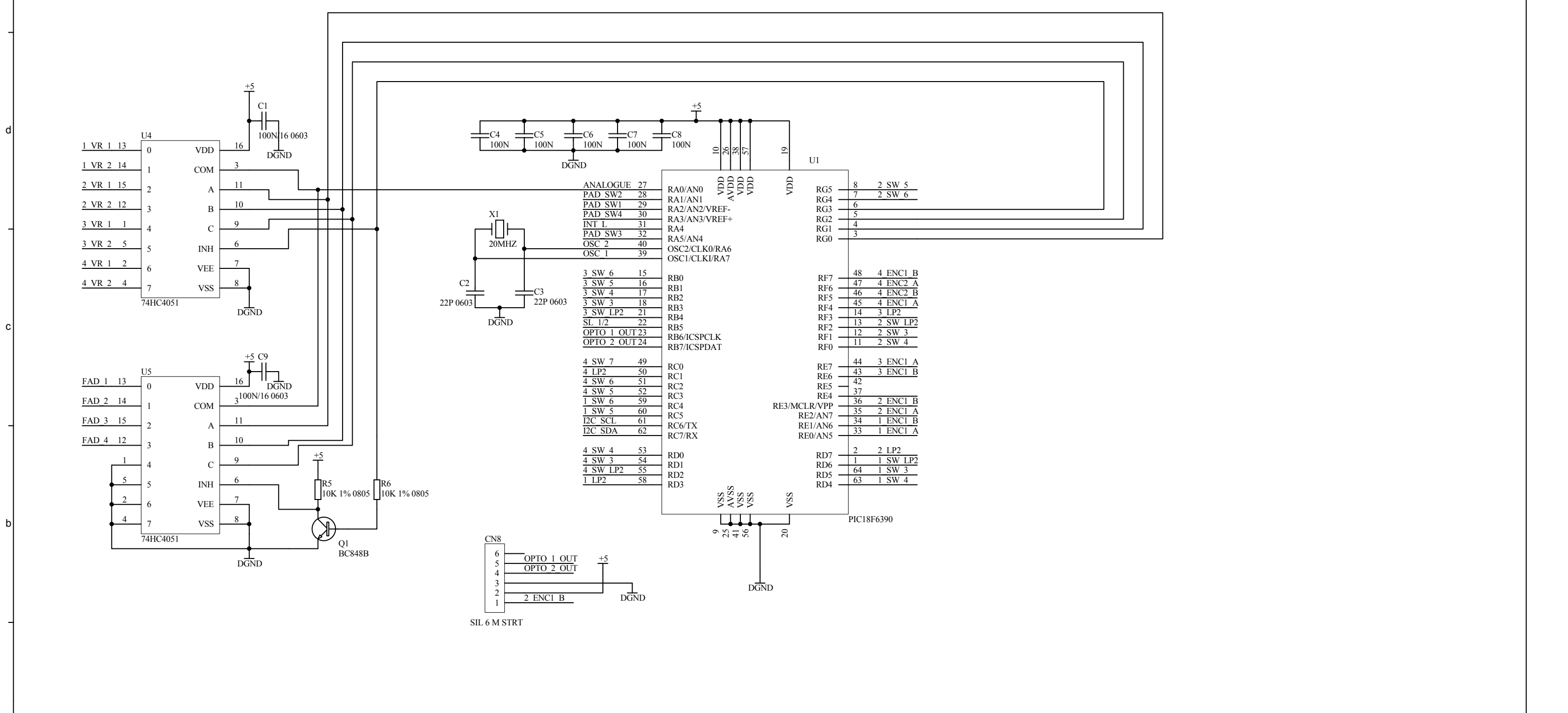
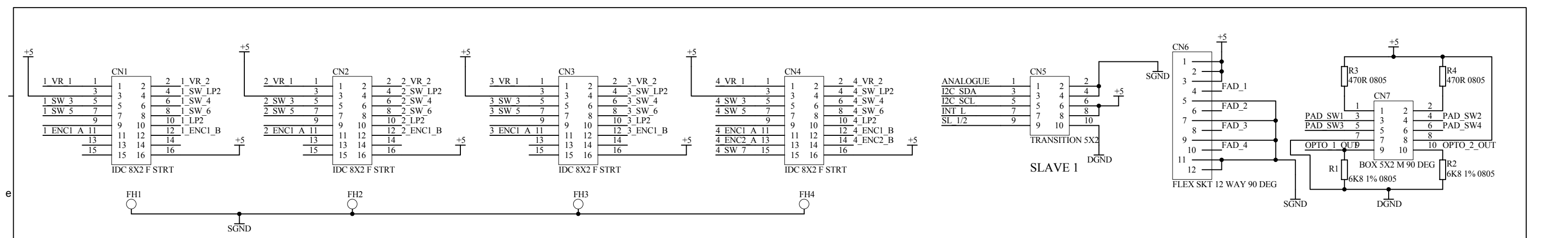
TITLE: **XONE 3D MASTER PCB**
 PAGE:
 DRG No: C6234 ISSUE: 2 SHEET: 1 OF 2

PRINTED: 14:40:19 25-Apr-2006



| | | | | | | | | | | | |
|--|--------------------------------|------------------|------------------------------|-------------------|--|--------------------------------|--------------------------------------|-----------------|---|---|---|
| ALLEN&HEATH Kernick Industrial Estate, Penryn, Cornwall, England. TR10 9LU Tel: +44 (0)8707 556250 Fax: +44 (0)8707 556251 | ISSUE B | BY ARJ AAT | DATE 21-06-05 24-11-05 | CHK BY Text | ATE1 A11 FID1 FID4 ATE2 A12 FID2 FID3 | VR6B BRKT POT11 20KB C/D | SW3B 4 SW4B 4 SW5B 4 SW6B 4 | LP1 LP2 LP3 LP4 | PCB BREAKOUT S LONG ○BO1 ○BO2 ○BO3 ○BO4 | TITLE: XONE 3D MASTER PCB PAGE: | DRG No: C6234 ISSUE: 2 SHEET: 2 OF 2 |
| | FILE: C6234_2 MASTER PCB 2.Sch | | | | | PRINTED: 14:40:20 25-Apr-2006 | | | | | |



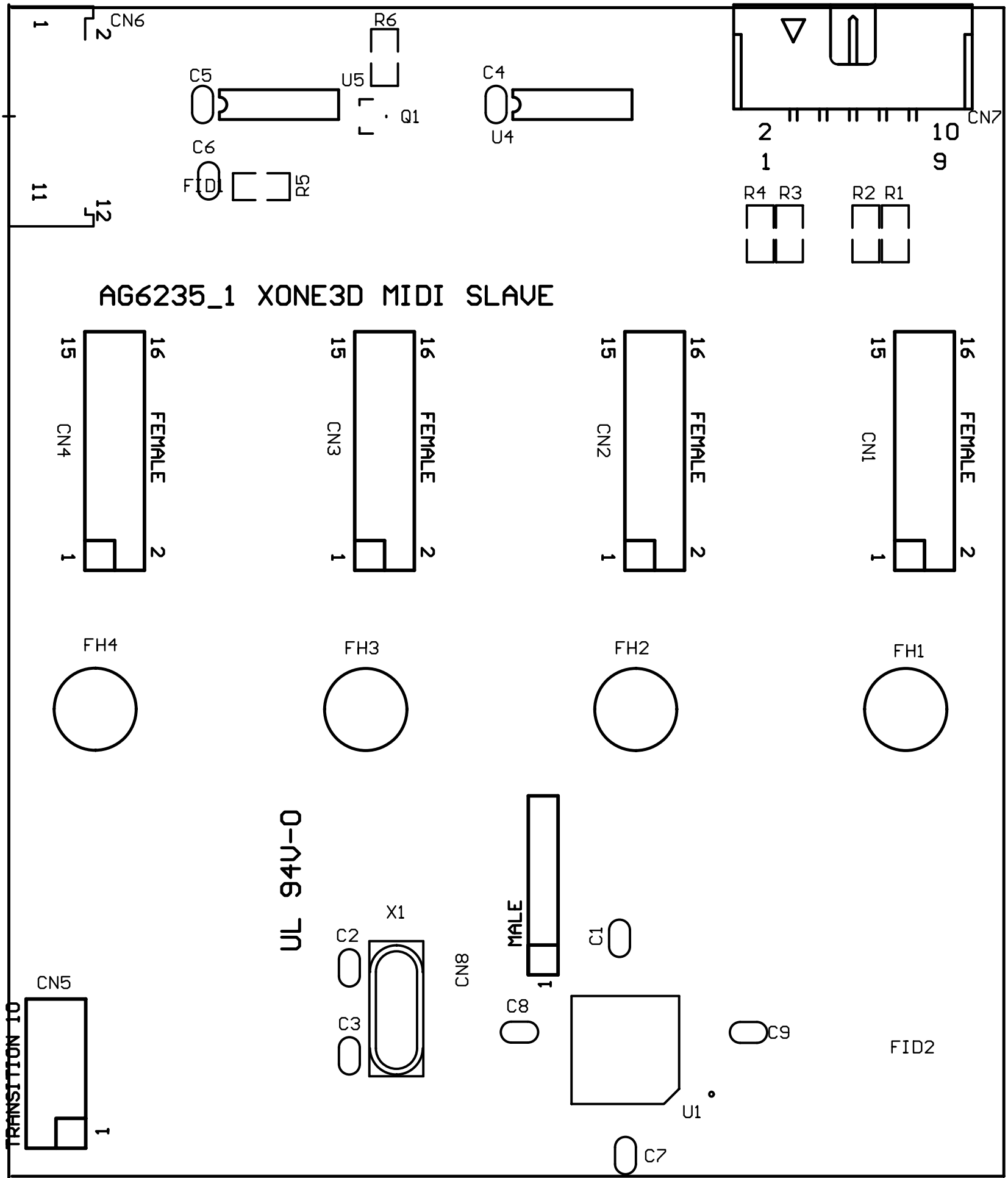


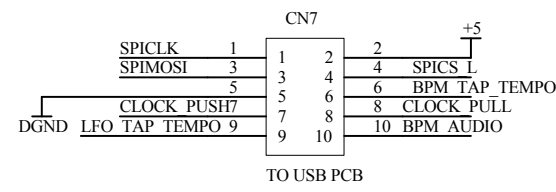
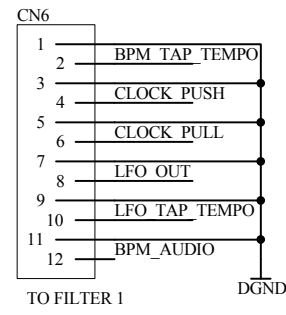
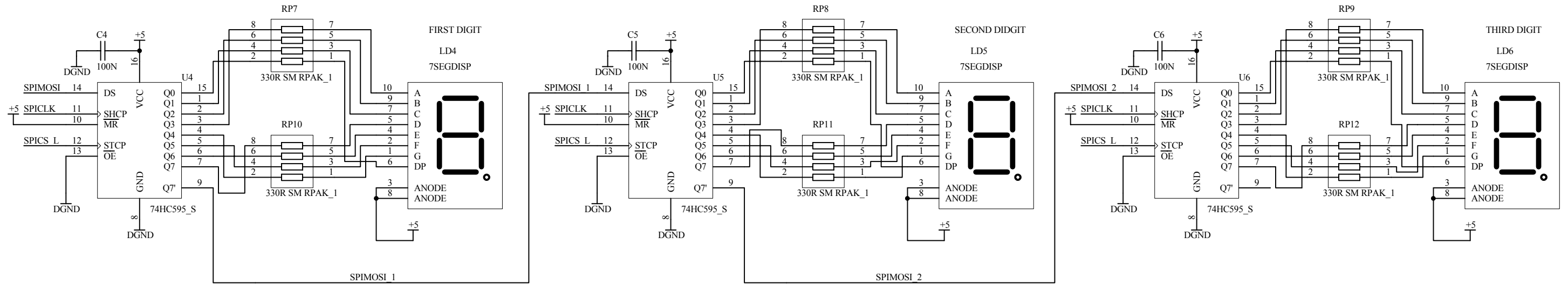
ALLEN&HEATH
 Kernick Industrial Estate,
 Penryn, Cornwall,
 England. TR10 9LU
 Tel: +44 (0)8707 556250
 Fax: +44 (0)8707 556251

| ISSUE | BY | DATE | CHK BY |
|-------|----|------|--------|
| | | | |

| | |
|------------------------------|-------------------------------|
| FILE: C6235_1 MIDI SLAVE.Sch | PRINTED: 14:40:40 25-Apr-2006 |
|------------------------------|-------------------------------|

| | | | |
|-------------------|---------------|----------|---------------|
| TITLE: SLAVE CARD | DRG No: CXXXX | ISSUE: A | SHEET: 1 OF 1 |
|-------------------|---------------|----------|---------------|





ALLEN&HEATH
 Kernick Industrial Estate,
 Penryn, Cornwall,
 England. TR10 9LU
 Tel: +44 (0)8707 556250
 Fax: +44 (0)8707 556251

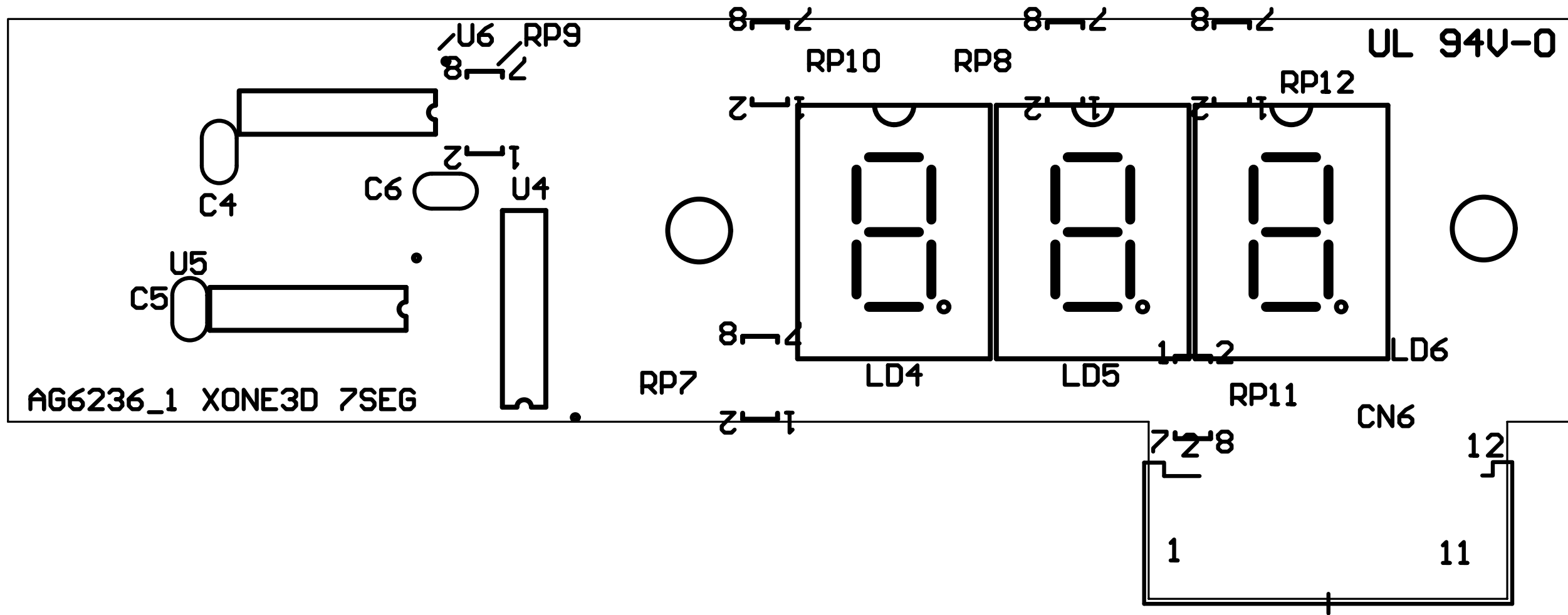
| ISSUE | BY | DATE | CHK BY |
|--------|-----------|---------------------|--------|
| B 1 | RW ARJ | 15-5-05 13-10-05 | |

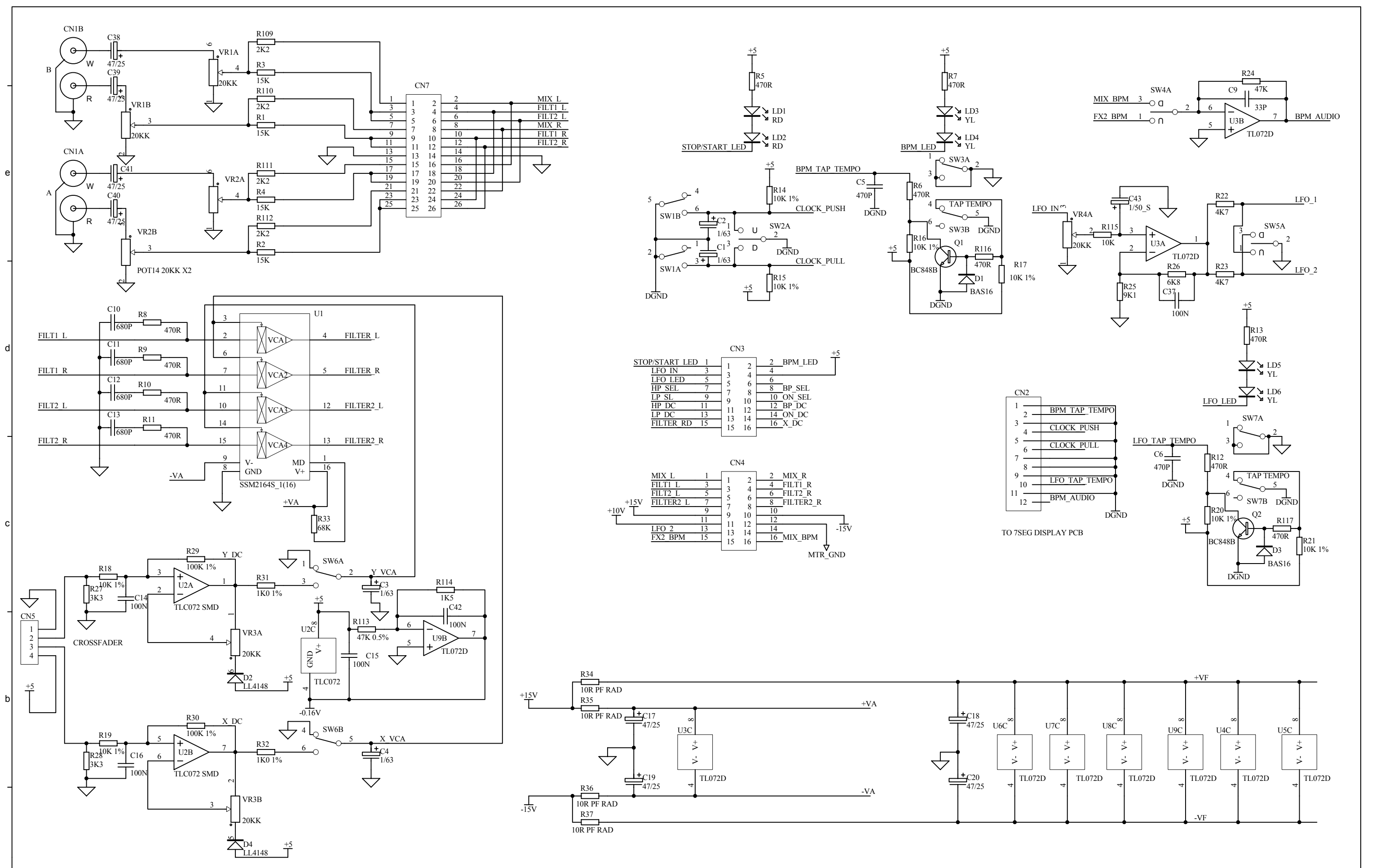
| FID3 | FID4 | FH3 | FH4 |
|------|------|-----|-----|
| ○ | ○ | ○ | ○ |

FILE: AG6236_1 7 SEG DISPLAY.Sch

| |
|--------------------------------------|
| TITLE: LED DISPLAY PCB |
| PAGE: |
| DRG No: C6236 ISSUE: 1 SHEET: 1 OF 1 |

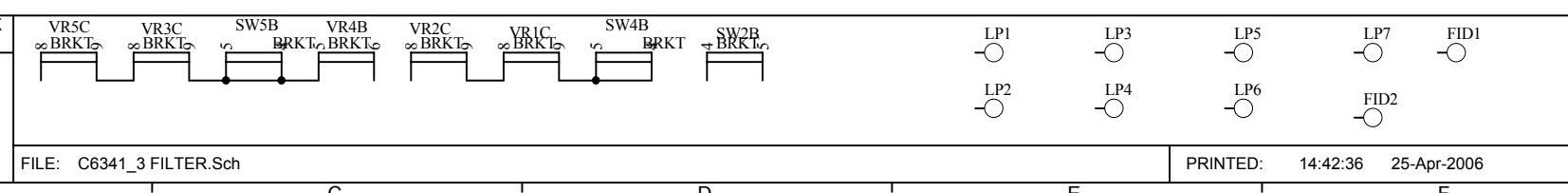
PRINTED: 14:42:12 25-Apr-2006



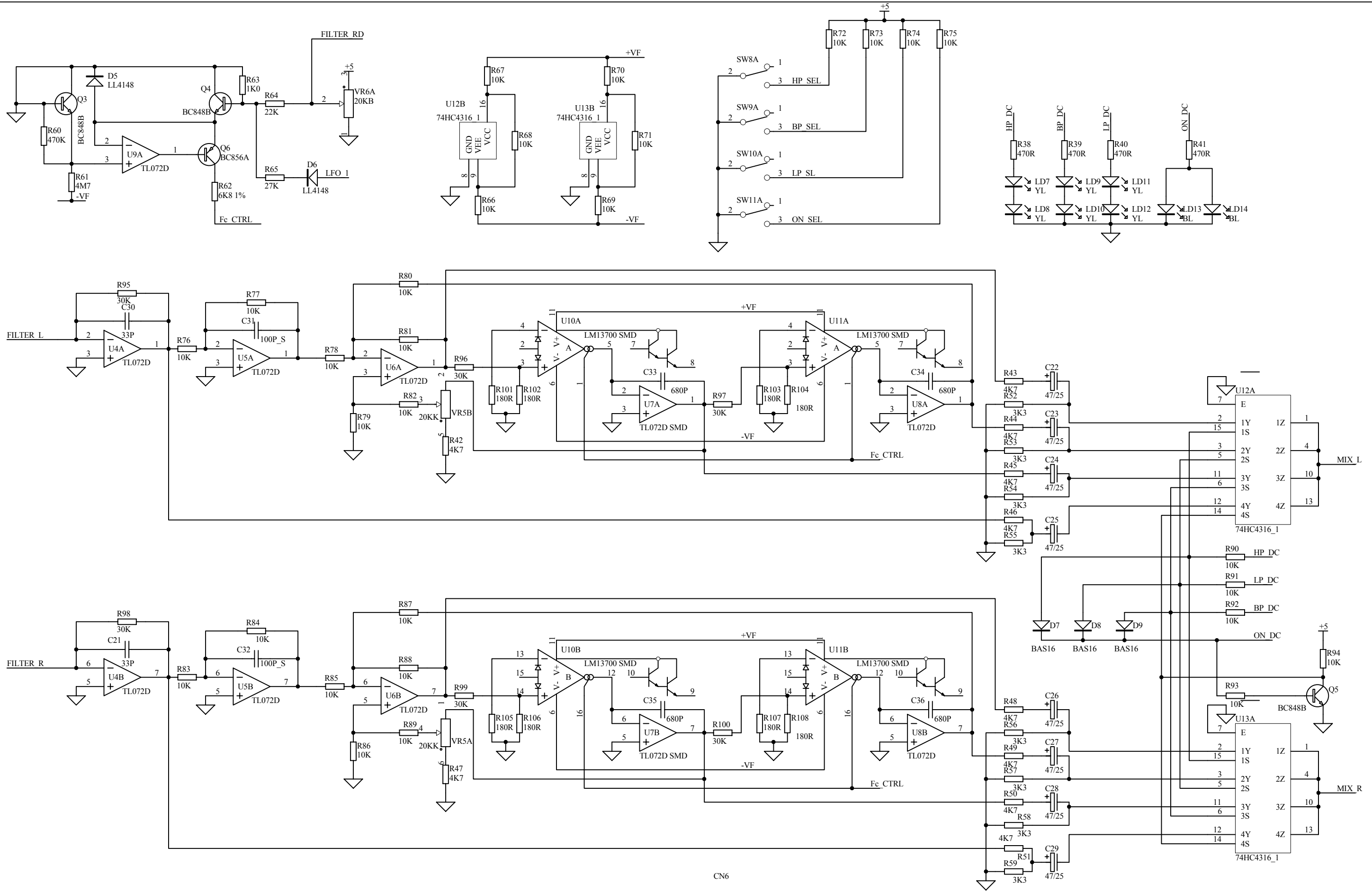


ALLEN&HEATH
 Kernick Industrial Estate,
 Penryn, Cornwall,
 England. TR10 9LU
 Tel: +44 (0)1326 372070
 Fax: +44 (0)1326 370153

| ISSUE | BY | DATE | CHK BY |
|-------|-----|----------|--------|
| A | ARJ | 21-06-05 | Text |
| 2 | AAT | 24-11-05 | |
| 3 | ARJ | 03-03-06 | |

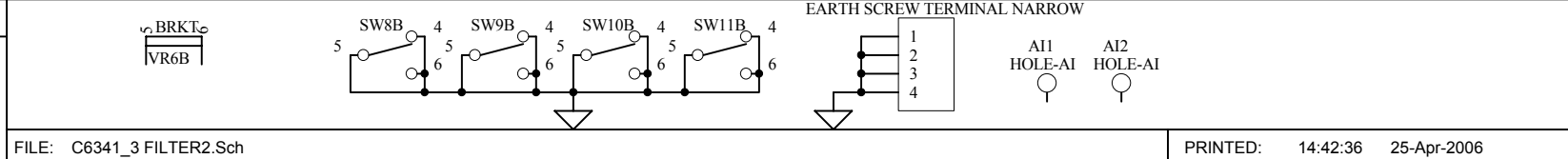


TITLE: **XONE 3D FILTER PCB**
 PAGE:
 DRG No: C6341 ISSUE: 3 SHEET: 1 OF 2
 PRINTED: 14:42:36 25-Apr-2006



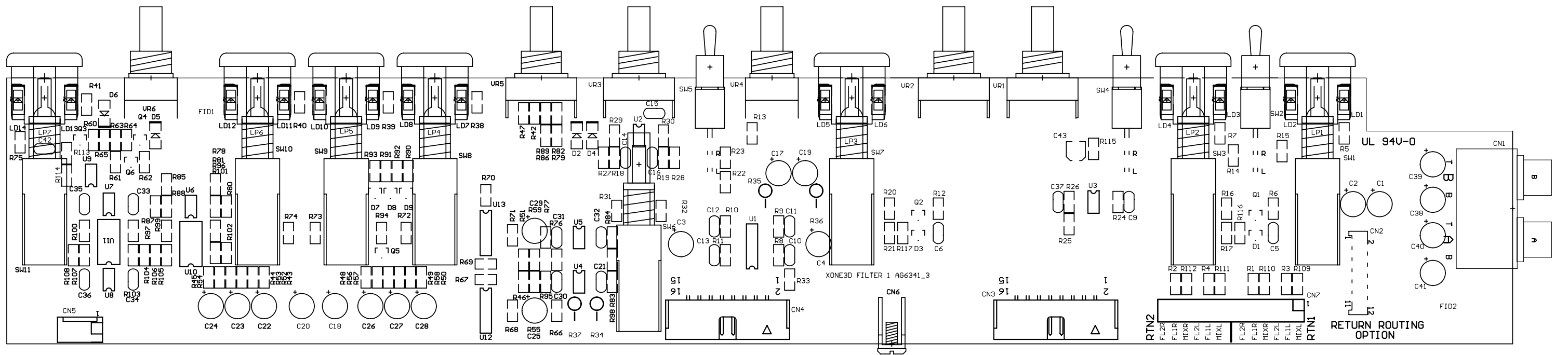
ALLEN&HEATH
 Kernick Industrial Estate,
 Penryn, Cornwall,
 England. TR10 9LU
 Tel: +44 (0)1326 372070
 Fax: +44 (0)1326 370153

| ISSUE | BY | DATE | CHK BY |
|-------|-----|----------|--------|
| A | ARJ | 21-06-05 | Text |
| 2 | AAT | 24-11-05 | |
| 3 | ARJ | 03-03-06 | |

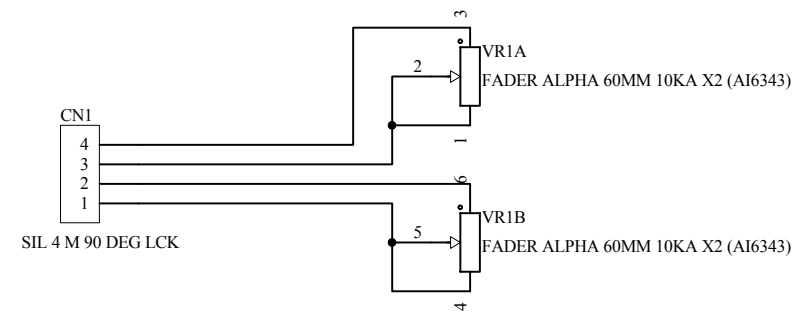


TITLE: **XONE 3D FILTER PCB**
 PAGE:
 DRG No: C6341 ISSUE: 3 SHEET: 2 OF 2
 PRINTED: 14:42:36 25-Apr-2006

FILE: C6341_3 FILTER2.Sch



e
d
c
b
a



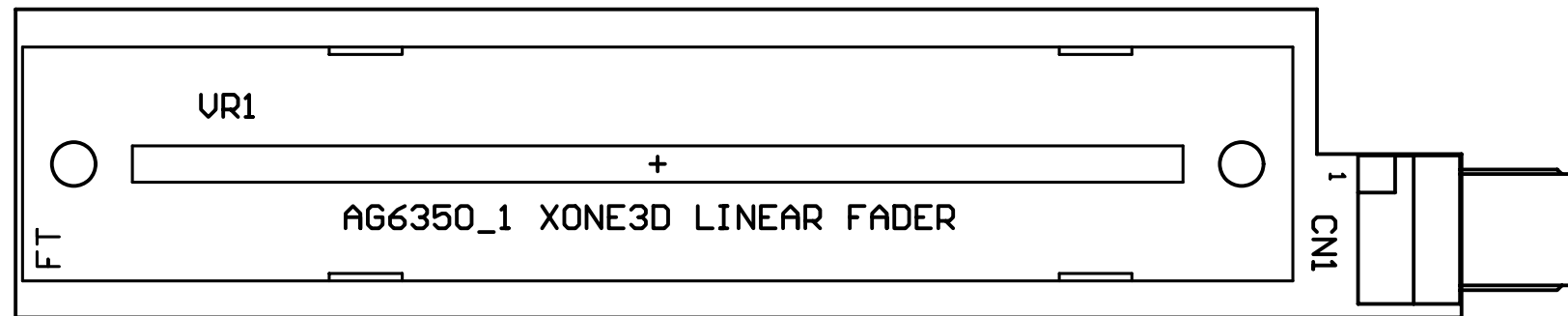
ALLEN&HEATH
Kernick Industrial Estate,
Penryn, Cornwall,
England. TR10 9LU
Tel: +44 (0)1326 372070
Fax: +44 (0)1326 370153

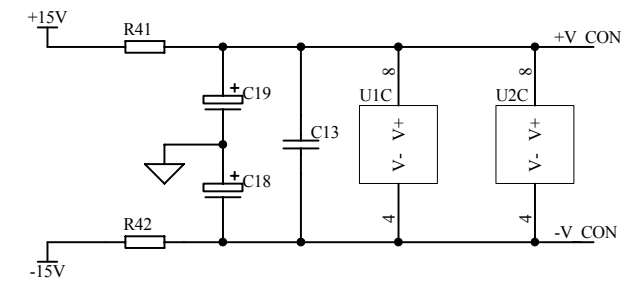
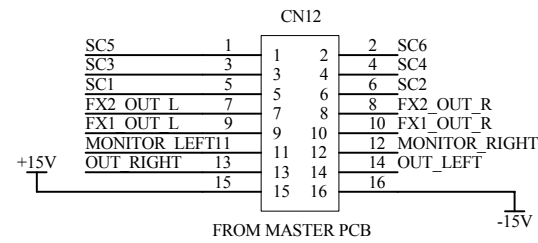
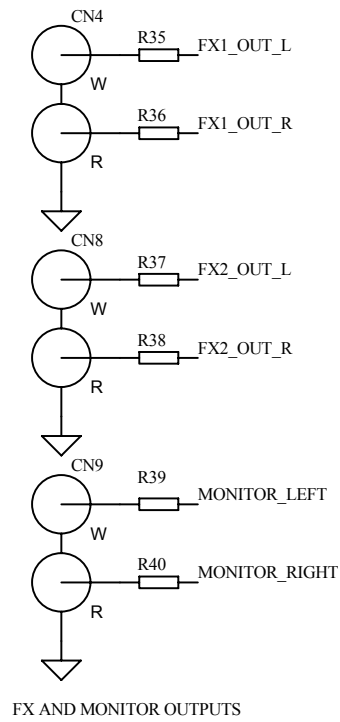
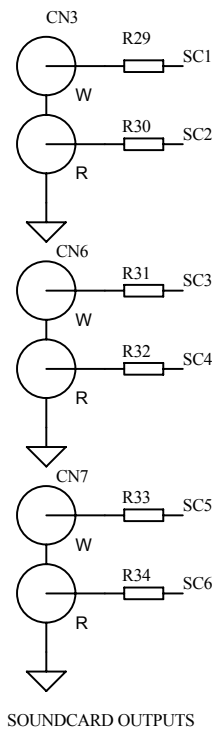
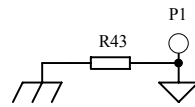
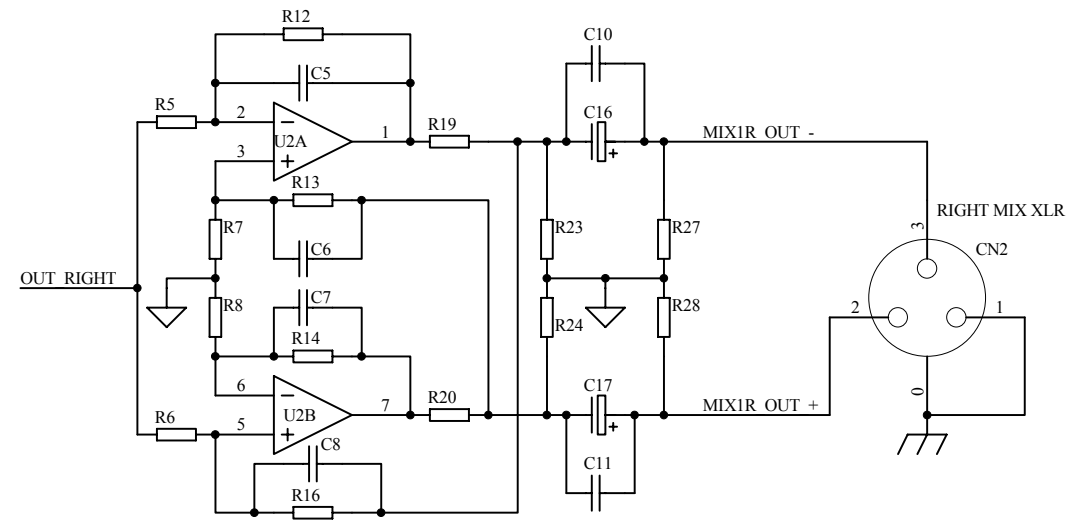
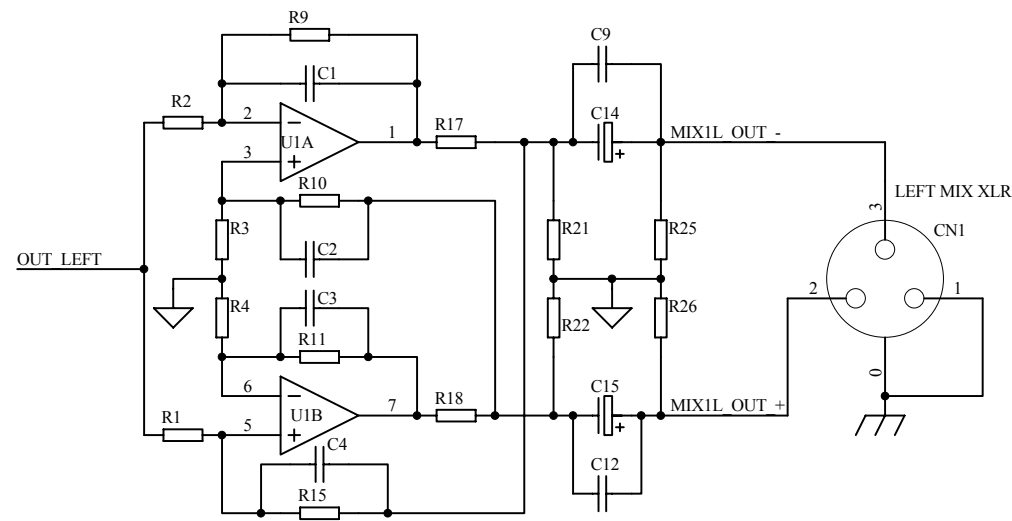
| ISSUE | BY | DATE | CHK BY |
|-------|-----|----------|--------|
| 1 | ARJ | 13-10-05 | |

FILE: C6350_1 LINEAR FADER.Sch

PRINTED: 14:43:18 25-Apr-2006

TITLE: **XONE 3D CHANNEL FADER**
PAGE:
DRG No: **C6350** ISSUE: I SHEET: 1 OF 1





ALLEN&HEATH

Kernick Industrial Estate,
Penryn, Cornwall,
England. TR10 9LU
Tel: +44 (0)8707 556250
Fax: +44 (0)8707 556251

| ISSUE | BY | DATE | CHK BY |
|-------|-----|----------|--------|
| 1 | ARJ | 04-11-05 | |

C6231_2 PANEL.Sch
C6231_2 PANEL

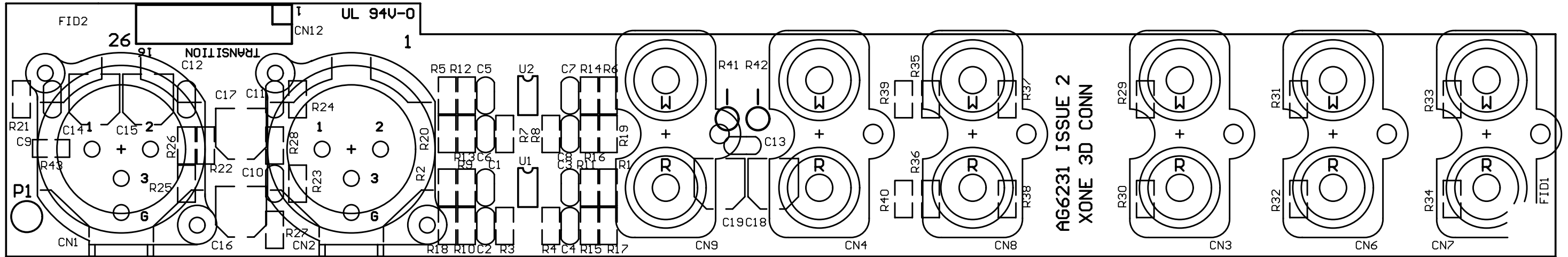
FILE: C6231_2 CONNECTOR.Sch

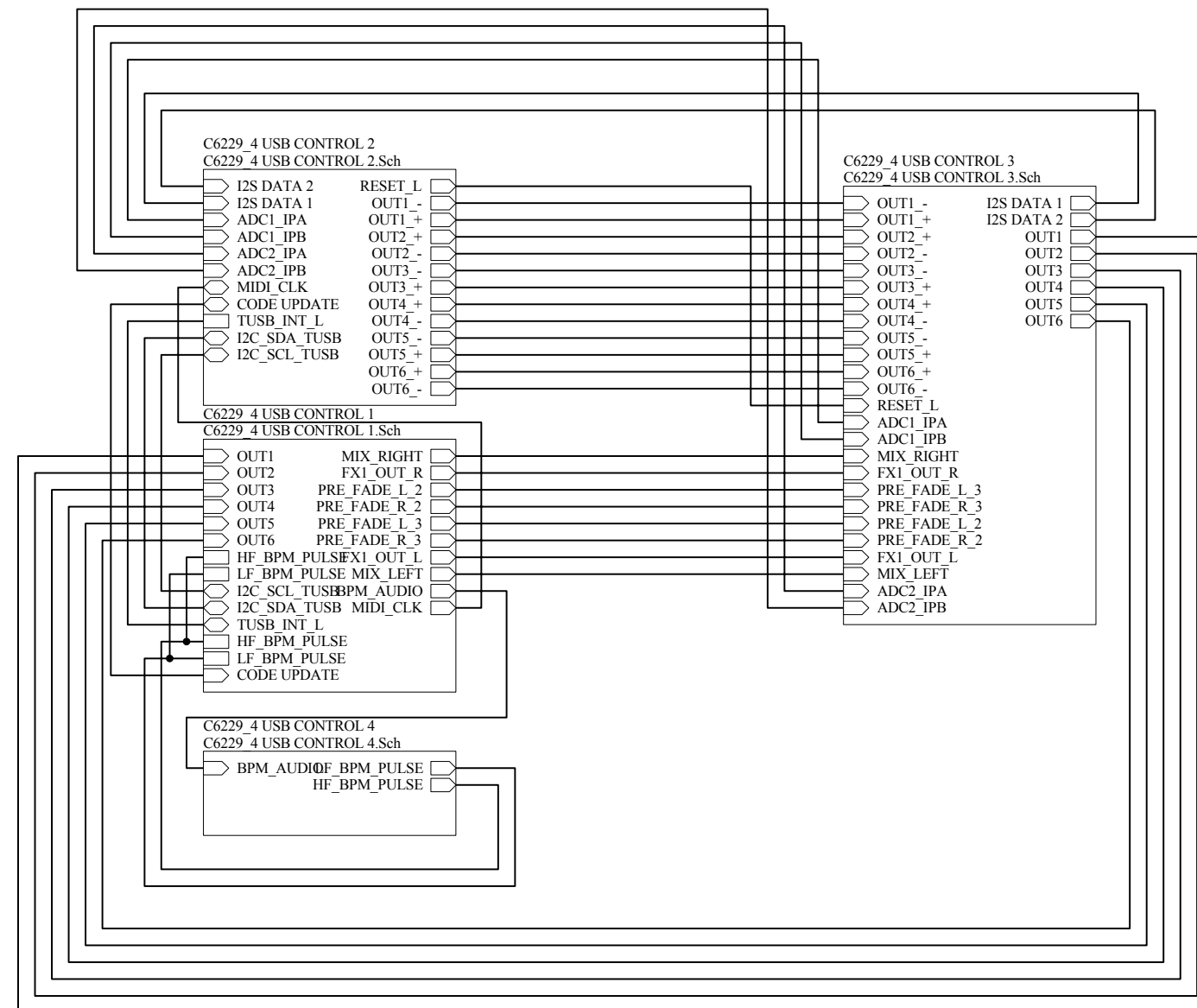
TITLE: XONE 3D CONNECTOR

PAGE:

DRG No: C6231 ISSUE: 1 SHEET: 1 OF 1

PRINTED: 14:37:08 25-Apr-2006





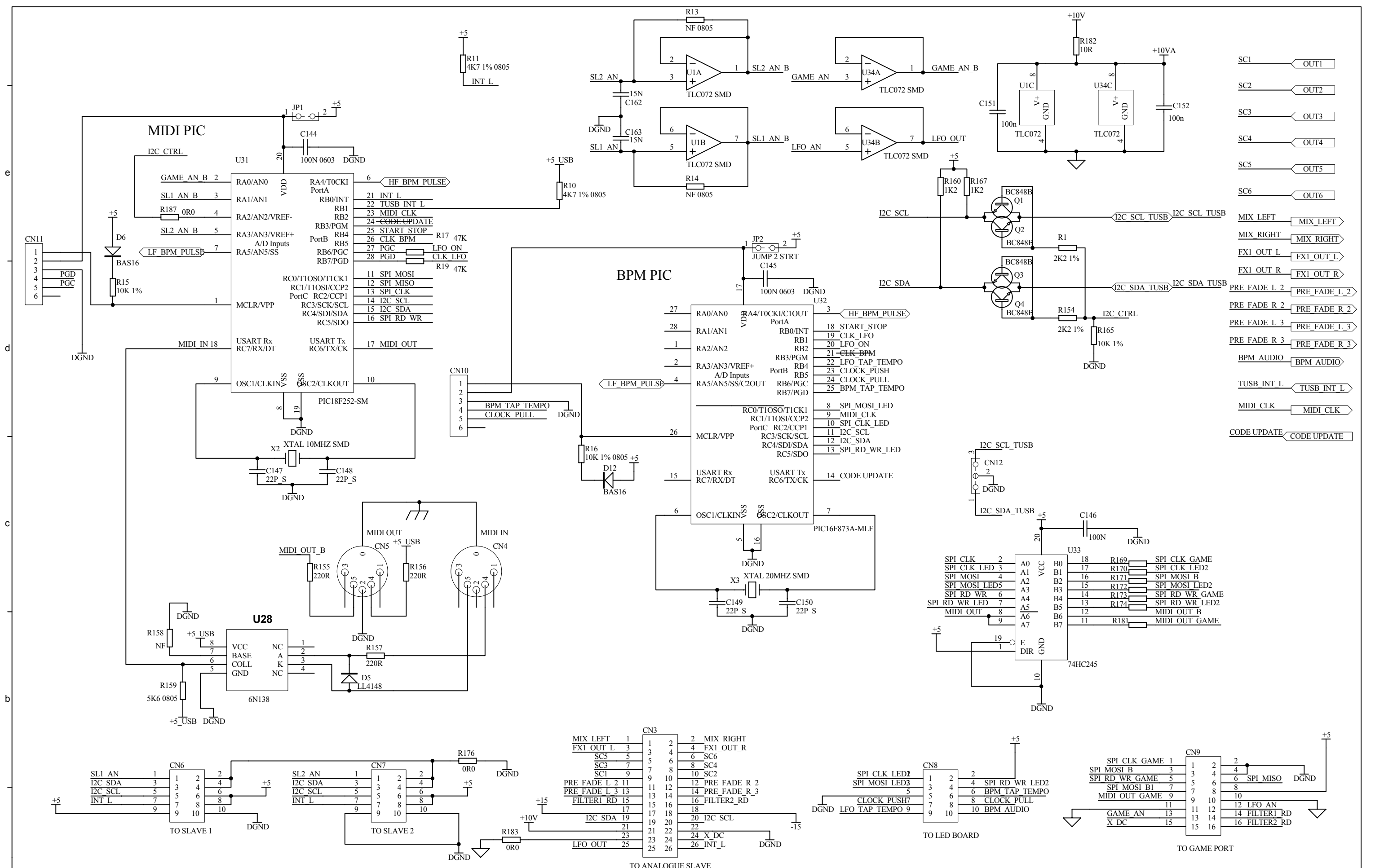
ALLEN&HEATH
 Kernick Industrial Estate,
 Penryn, Cornwall,
 England. TR10 9LU
 Tel: +44 (0)8707 556250
 Fax: +44 (0)8707 556251

| ISSUE | BY | DATE | CHK BY |
|-------|----|------|--------|
| | | | |

FILE: SHEET1

PRINTED: 14:35:58 25-Apr-2006

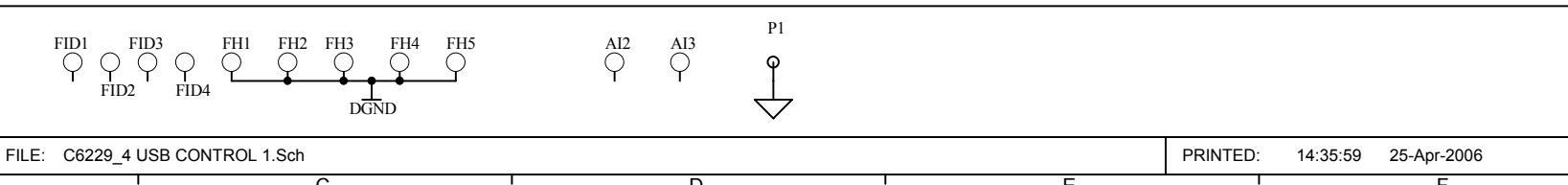
TITLE:
 PAGE:
 DRG No: ISSUE: SHEET: 0 of 0



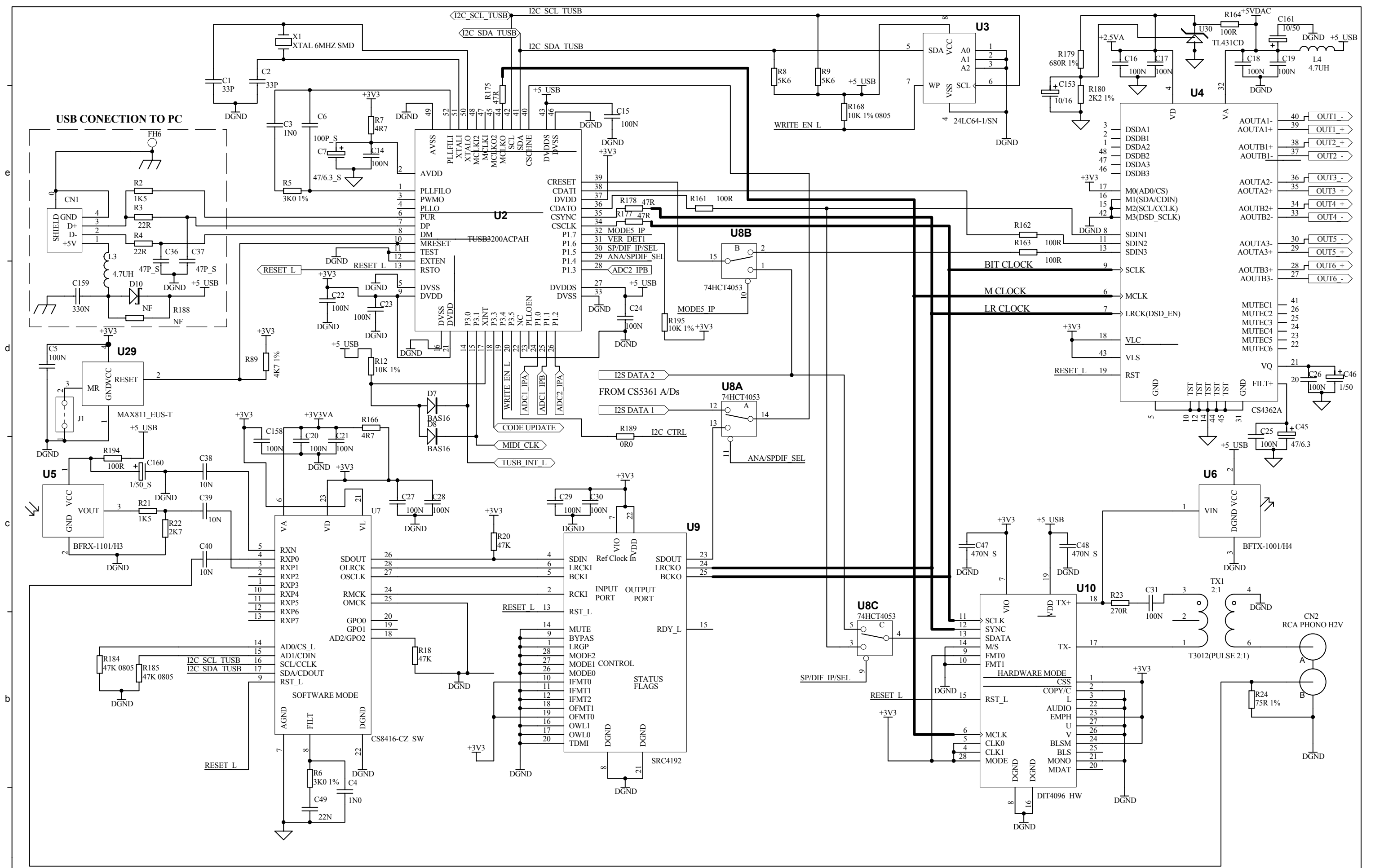
- SC1 → OUT1
- SC2 → OUT2
- SC3 → OUT3
- SC4 → OUT4
- SC5 → OUT5
- SC6 → OUT6
- MIX LEFT → MIX LEFT
- MIX RIGHT → MIX RIGHT
- FX1 OUT L → FX1 OUT L
- FX1 OUT R → FX1 OUT R
- PRE FADE L 2 → PRE FADE L 2
- PRE FADE R 2 → PRE FADE R 2
- PRE FADE L 3 → PRE FADE L 3
- PRE FADE R 3 → PRE FADE R 3
- BPM AUDIO → BPM AUDIO
- TUSB INT L → TUSB INT L
- MIDI CLK → MIDI CLK
- CODE UPDATE → CODE UPDATE

ALLEN&HEATH
 Kernick Industrial Estate,
 Penryn, Cornwall,
 England. TR10 9LU
 Tel: +44 (0)8707 556250
 Fax: +44 (0)8707 556251

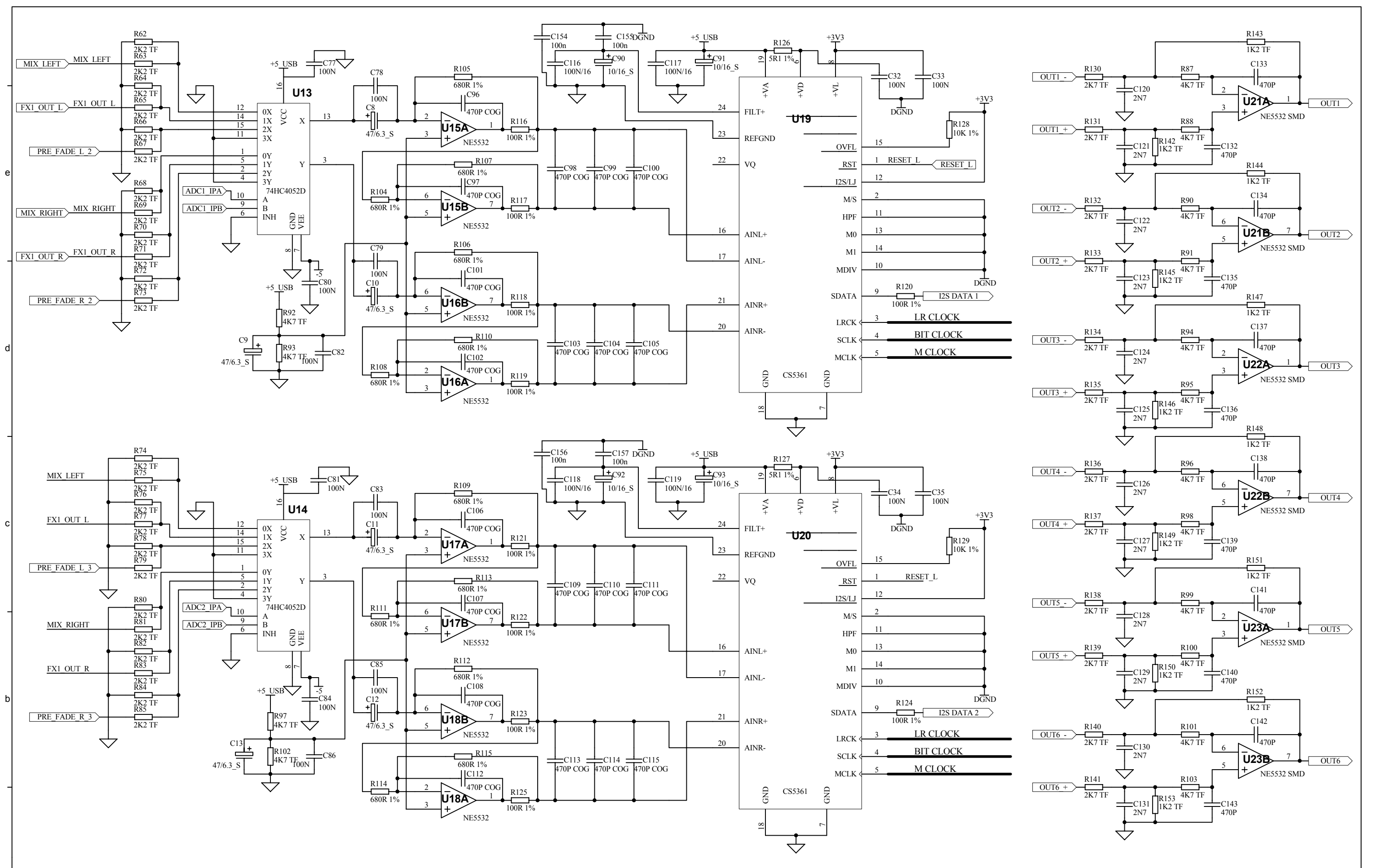
| ISSUE | BY | DATE | CHK BY |
|-------|-----|----------|--------|
| 1 | ARJ | 25-11-05 | |
| 2 | ARJ | 1-2-06 | |
| 4 | ARJ | 22-04-06 | |



TITLE: **SPI/MIDI/BMP**
 PAGE:
 DRG No: C6229 ISSUE: 4 SHEET: 1 OF 4



| | | | | | |
|--|-------|-----|----------|--------|--|
| ALLEN&HEATH Kernick Industrial Estate, Penryn, Cornwall, England. TR10 9LU Tel: +44 (0)8707 556250 Fax: +44 (0)8707 556251 | ISSUE | BY | DATE | CHK BY | TITLE: DIGITAL IO AND USB INTERFACE PAGE: DRG No: C6229 ISSUE: 4 SHEET: 2 OF 4 |
| | 1 | ARJ | 25-11-05 | | |
| | 2 | ARJ | 1-2-06 | | |
| | 4 | ARJ | 22-04-06 | | |
| FILE: C6229_4 USB CONTROL 2.Sch | | | | | PRINTED: 14:35:59 25-Apr-2006 |

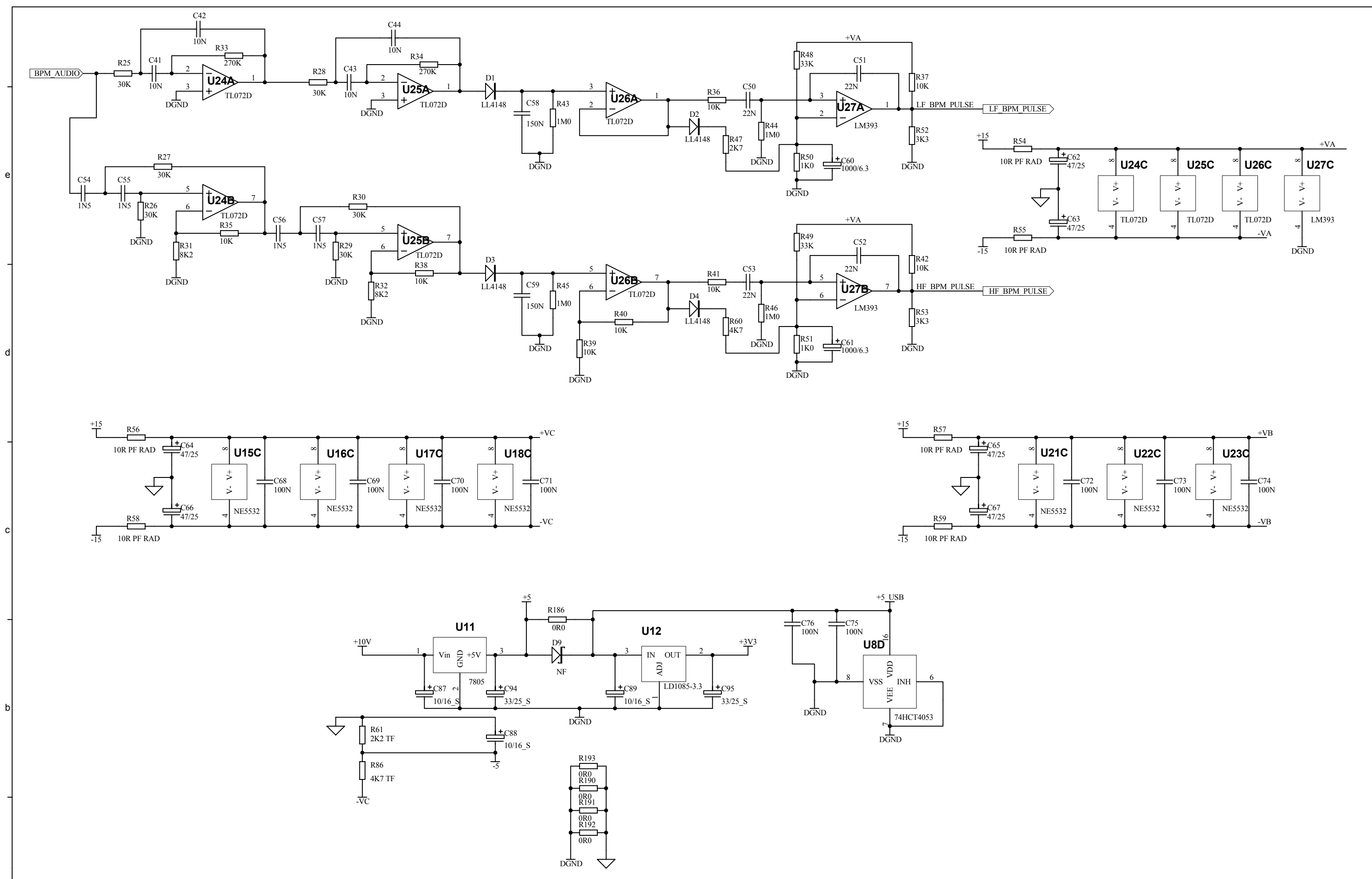


ALLEN&HEATH
 Kernick Industrial Estate,
 Penryn, Cornwall,
 England. TR10 9LU
 Tel: +44 (0)8707 556250
 Fax: +44 (0)8707 556251

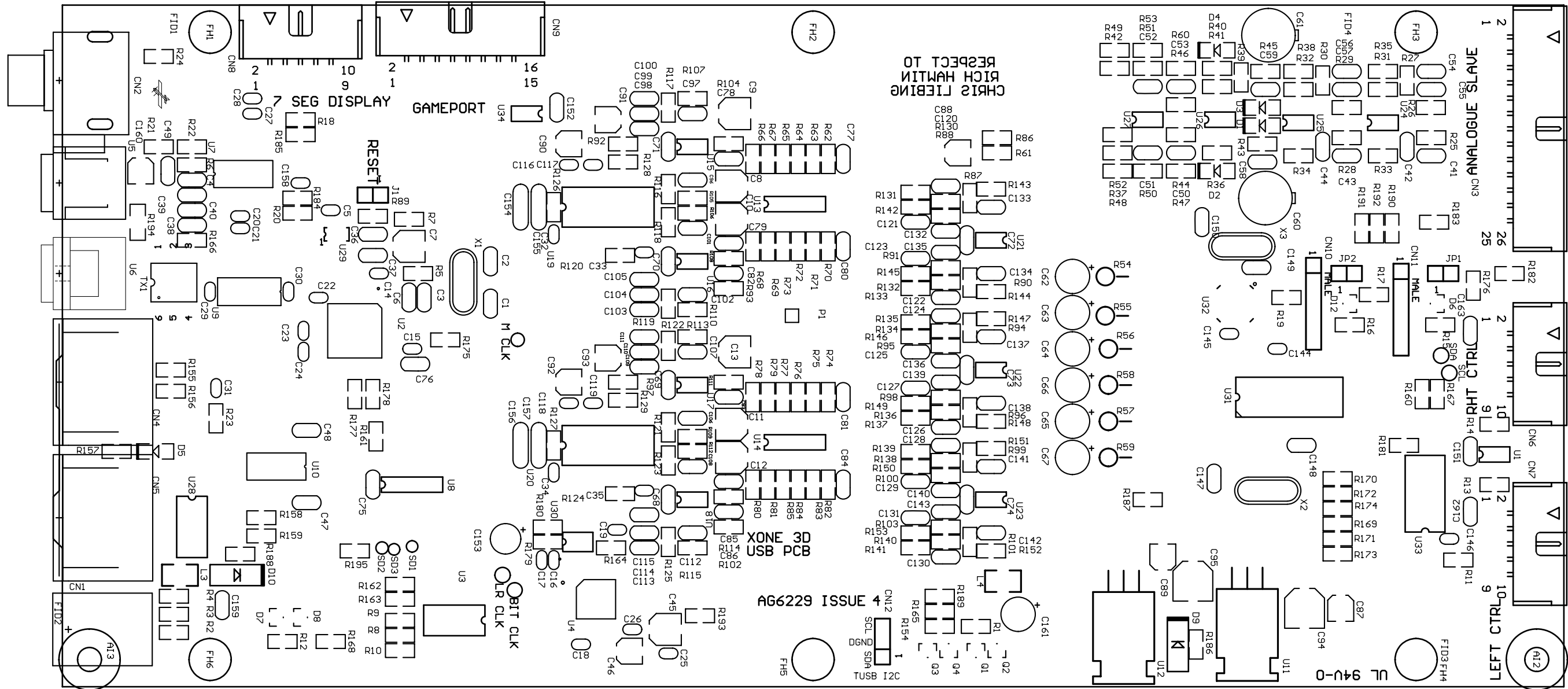
| ISSUE | BY | DATE | CHK BY |
|-------|-----|----------|--------|
| 1 | ARJ | 25-11-05 | |
| 2 | ARJ | 1-2-06 | |
| 4 | ARJ | 22-04-06 | |

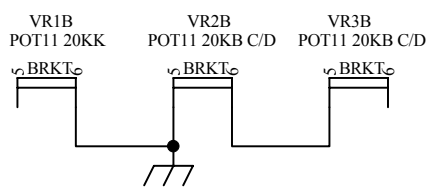
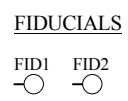
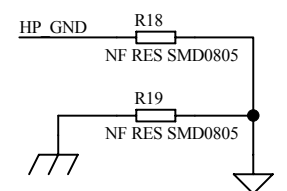
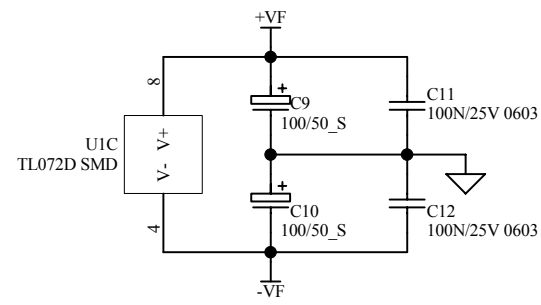
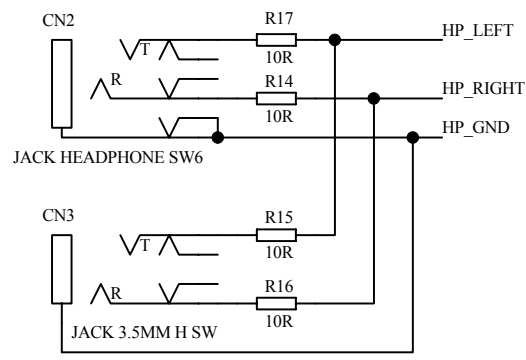
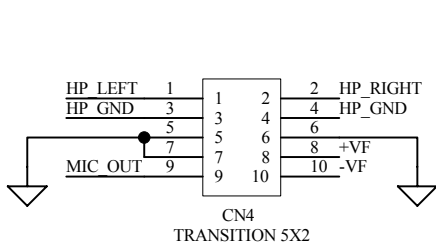
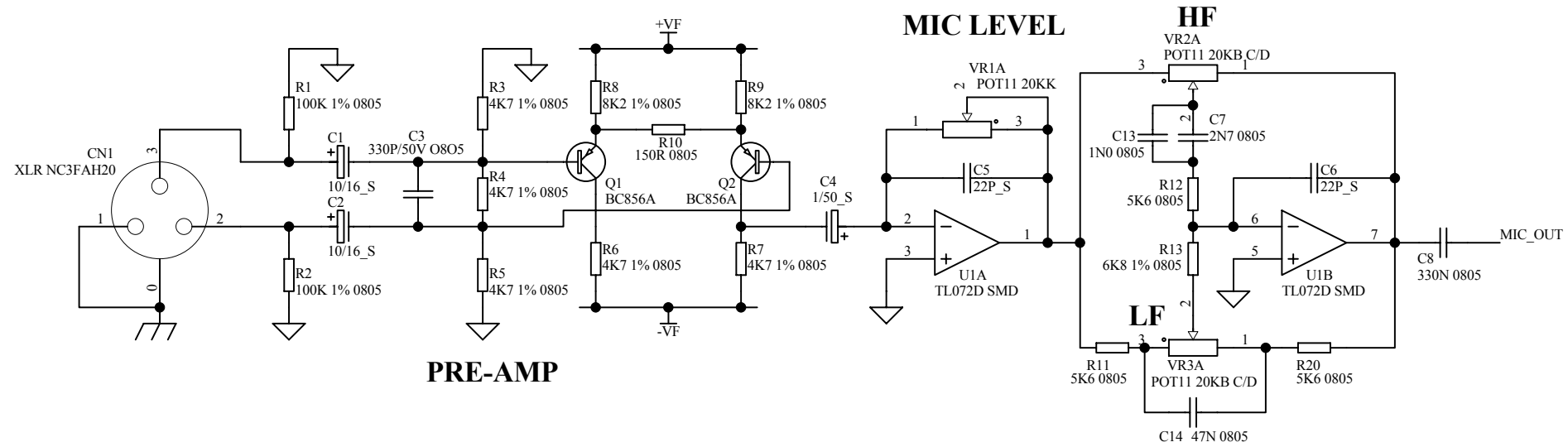
FILE: C6229_4 USB CONTROL 3.Sch
 PRINTED: 14:36:00 25-Apr-2006

TITLE: ADC AND ANALOGUE OUT
 PAGE:
 DRG No: C6229 ISSUE: 4 SHEET: 3 OF 4



| | | | | | |
|--|-------|-----|----------|--------|--|
| ALLEN&HEATH Kernick Industrial Estate, Penryn, Cornwall, England. TR10 9LU Tel: +44 (0)1326 372070 Fax: +44 (0)1326 370153 | ISSUE | BY | DATE | CHK BY | TITLE: BPM ANALOGUE/ POWER SUPPLY PAGE: DRG No: C6229 ISSUE: 4 SHEET: 4 OF 4 |
| | 1 | ARJ | 25-11-05 | | |
| | 2 | ARJ | 1-2-06 | | |
| | 4 | ARJ | 22-04-06 | | |
| FILE: C6229_4 USB CONTROL 4.Sch | | | | | PRINTED: 14:36:00 25-Apr-2006 |





ALLEN&HEATH
Kernick Industrial Estate,
Penryn, Cornwall,
England. TR10 9LU
Tel: +44 (0)1326 372070
Fax: +44 (0)1326 370153

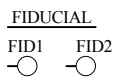
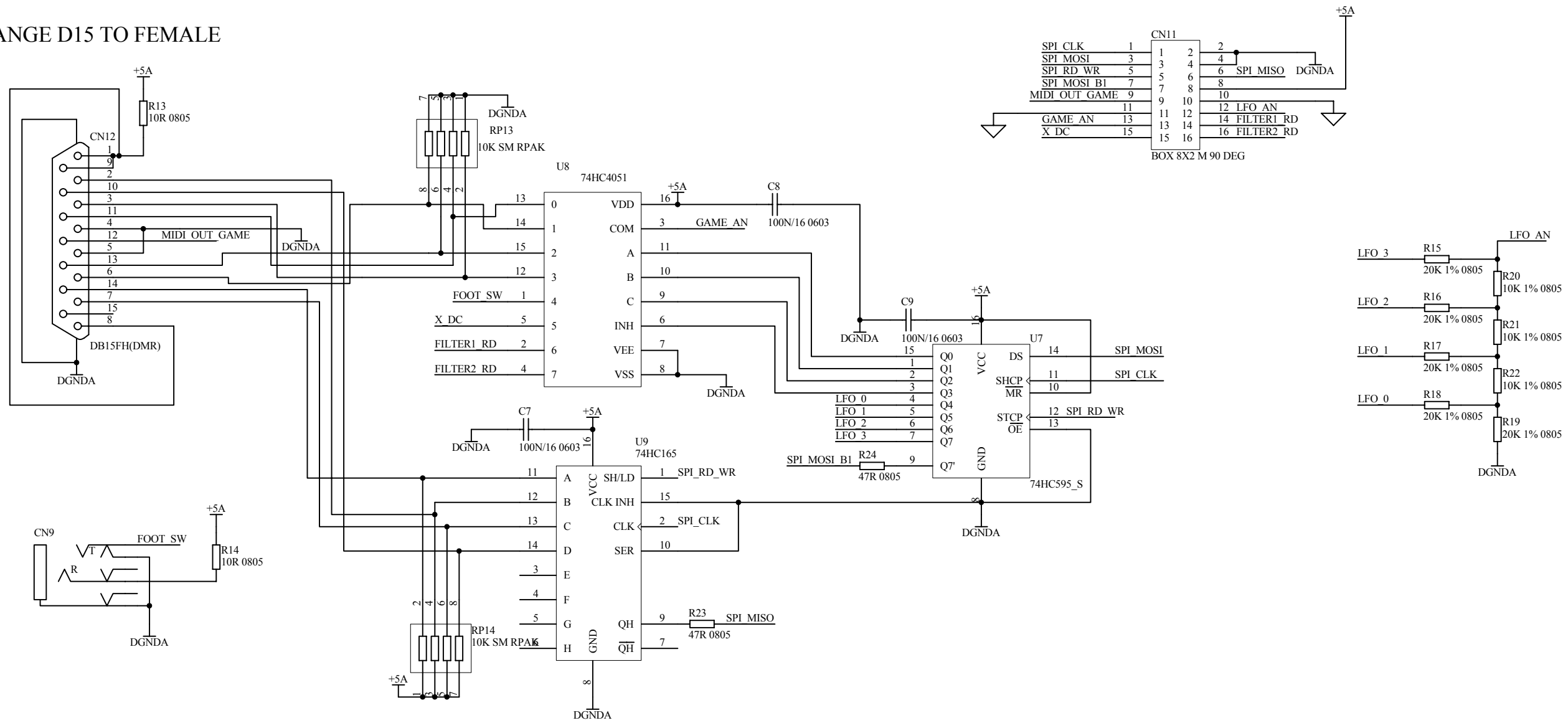
| ISSUE | BY | DATE | CHK BY |
|-------|----|----------|--------|
| 1 | JB | 18/10/05 | ???? |

FILE: C6430_1 HEADPHONE SOCKET.Sch

PRINTED: 14:43:42 25-Apr-2006

TITLE: XONE 3D MIC & PHONES PCB
PAGE:
DRG No: AG6430 ISSUE: 1 SHEET: 1 OF 1

CHANGE D15 TO FEMALE



ALLEN&HEATH

Kernick Industrial Estate,
Penryn, Cornwall,
England. TR10 9LU
Tel: +44 (0)1326 372070
Fax: +44 (0)1326 370153

| ISSUE | BY | DATE | CHK BY |
|-------|-----|----------|--------|
| 1 | ARJ | 14-10-05 | |

FILE: C6431_2_GAMEPORT.SCH

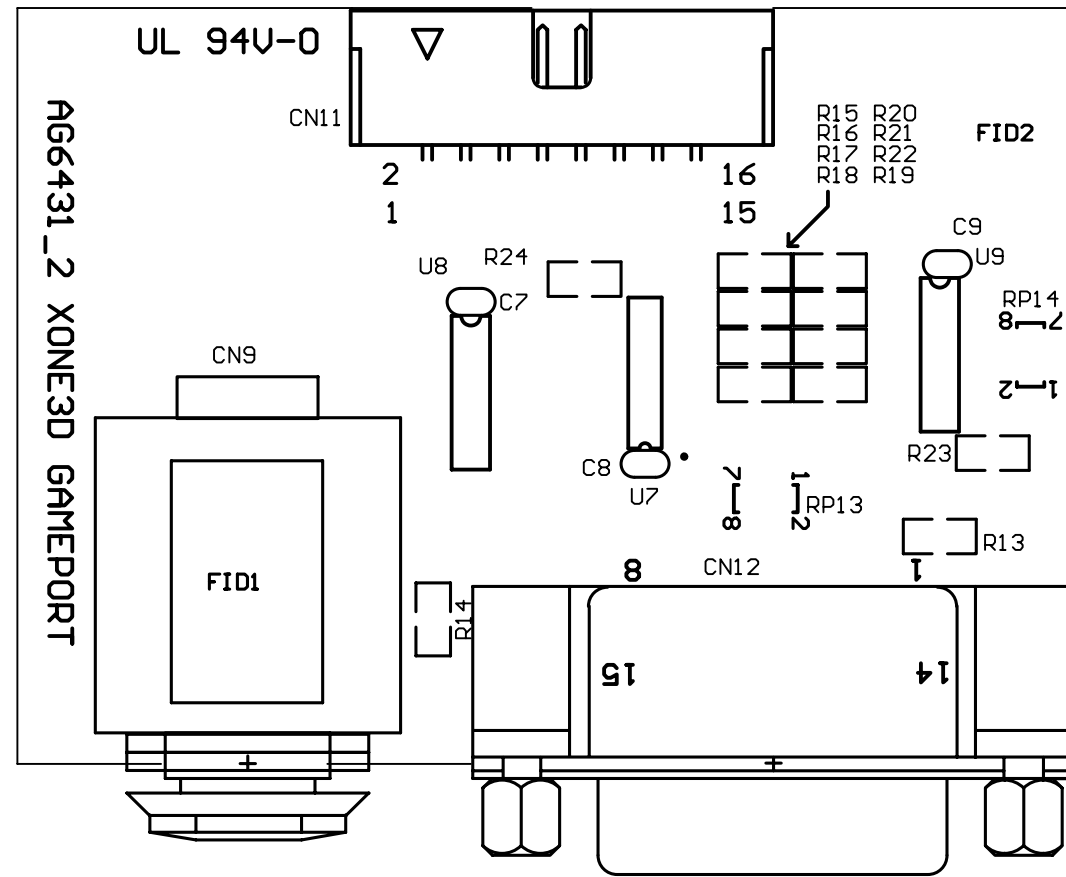
PRINTED: 14:45:19 25-Apr-2006

TITLE: XONE 3D GAMEPORT PCB

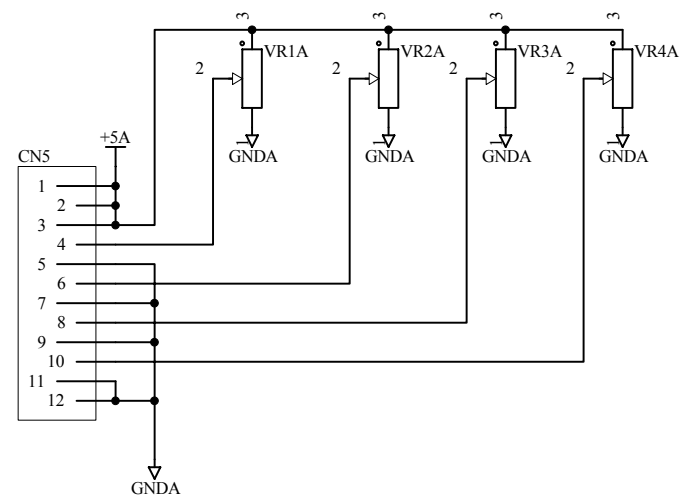
PAGE:

DRG No: C6431 ISSUE: 1 SHEET: 1 OF 1

003-531 iss.2



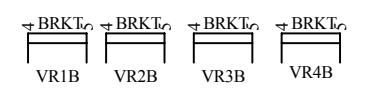
e
d
c
b
a



ALLEN&HEATH

Kernick Industrial Estate,
Penryn, Cornwall,
England. TR10 9LU
Tel: +44 (0)1326 372070
Fax: +44 (0)1326 370153

| ISSUE | BY | DATE | CHK BY |
|-------|-----|----------|--------|
| 1 | ARJ | 14-10-05 | |



FILE: C6432_1 MIDI FADERS.Sch

PRINTED: 14:45:55 25-Apr-2006

TITLE: **XONE 3D MIDI FADER**
PAGE:

DRG No: **C6432** ISSUE: 1 SHEET: 1 OF 1

A

B

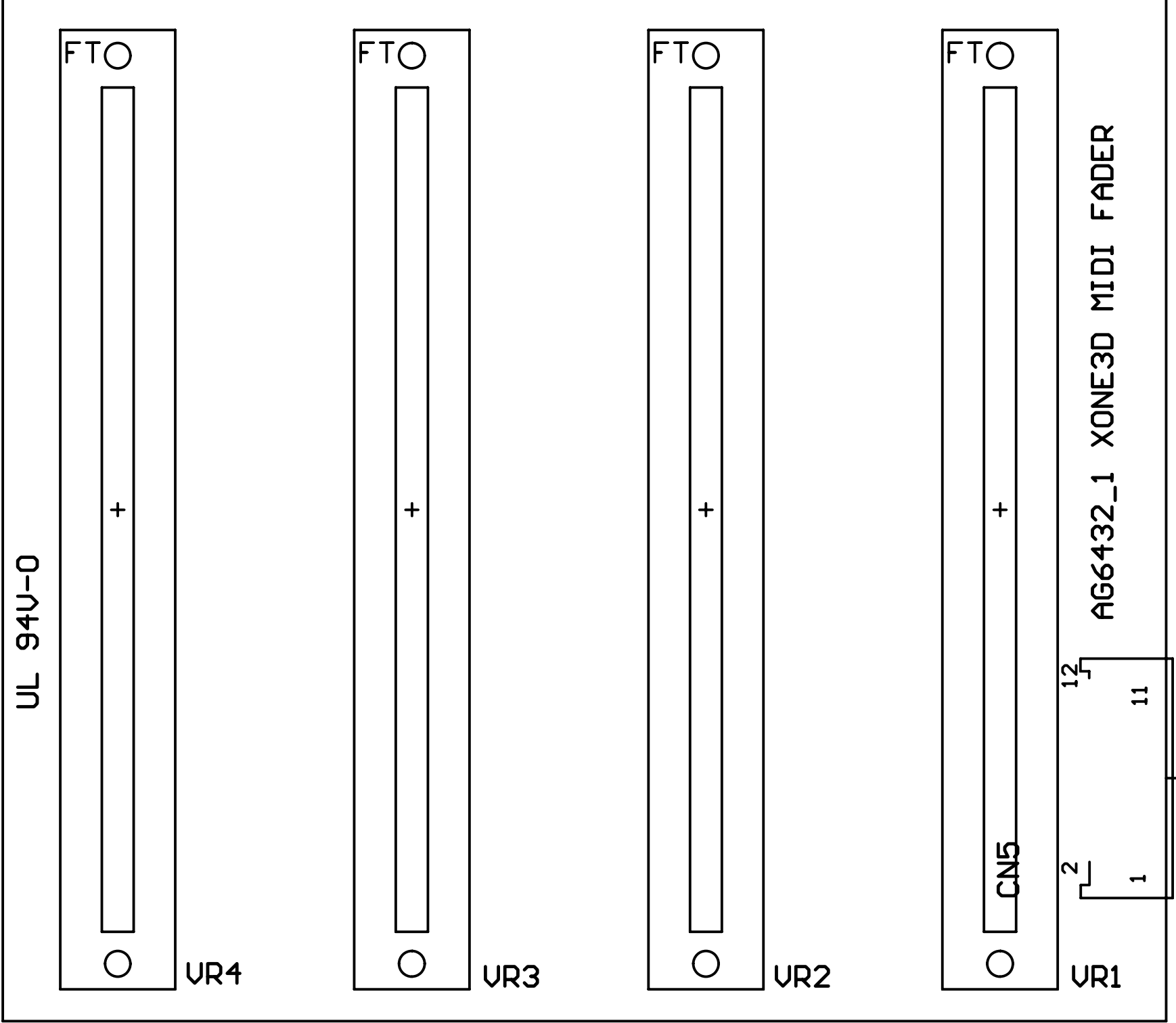
C

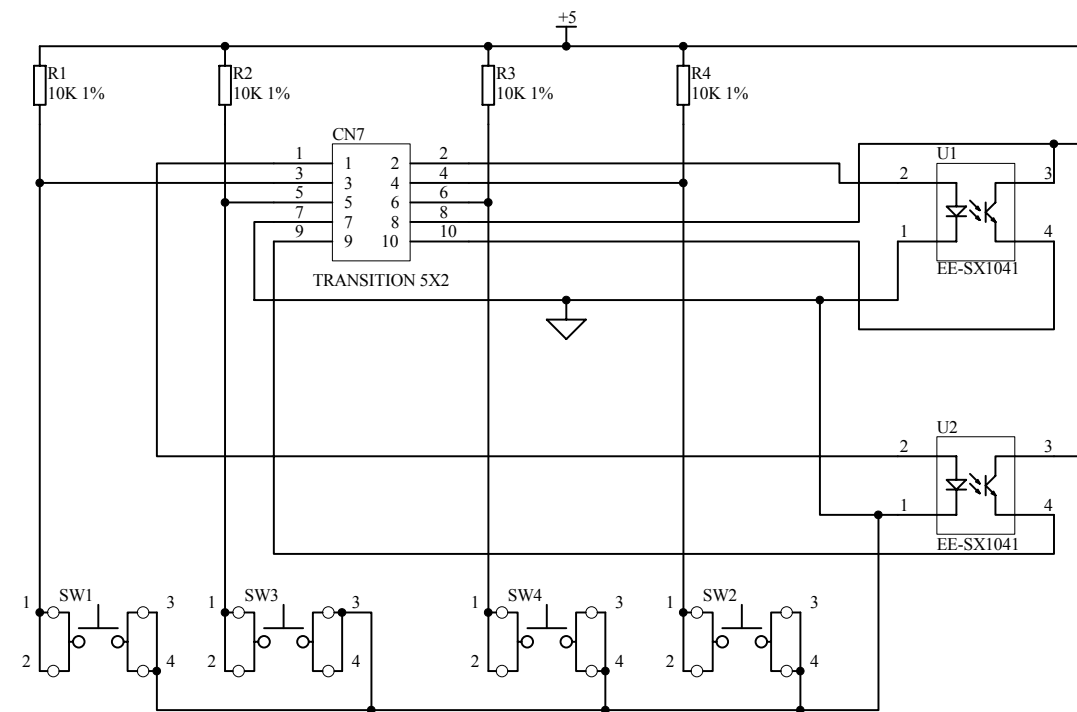
D

E

F

G





ALLEN&HEATH

Kernick Industrial Estate,
Penryn, Cornwall,
England. TR10 9LU
Tel: +44 (0)1326 372070
Fax: +44 (0)1326 370153

| ISSUE | BY | DATE | CHK BY |
|-------|----|------|--------|
| | | | |

A11 HOLE-AI
A12 HOLE-AI

FILE: C6349_1 JOG.Sch

TITLE: XONE 3D JOG WHEEL

PAGE:

PRINTED: 14:42:57 25-Apr-2006

DRG No: C6349 ISSUE: 1 SHEET: 1 OF 1

003-533 iss.1

