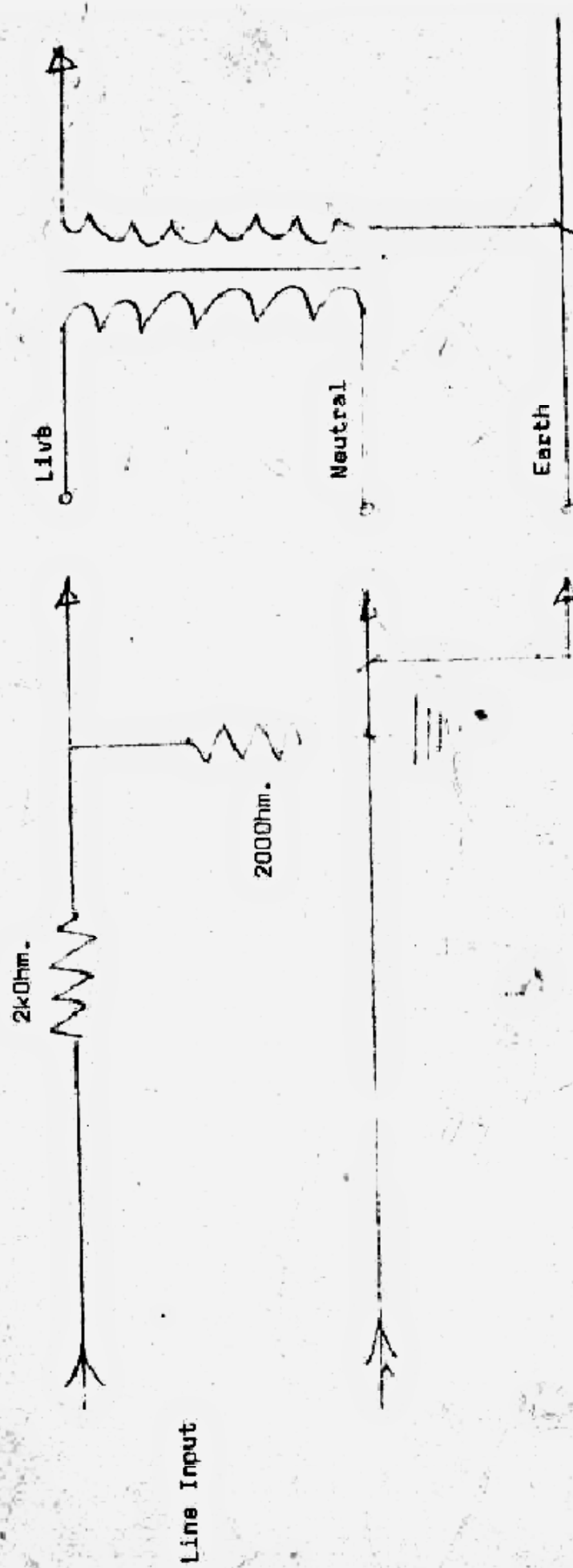


BLACK X



Line Input

2k0hm.

2000hm.

Live

Neutral

Earth

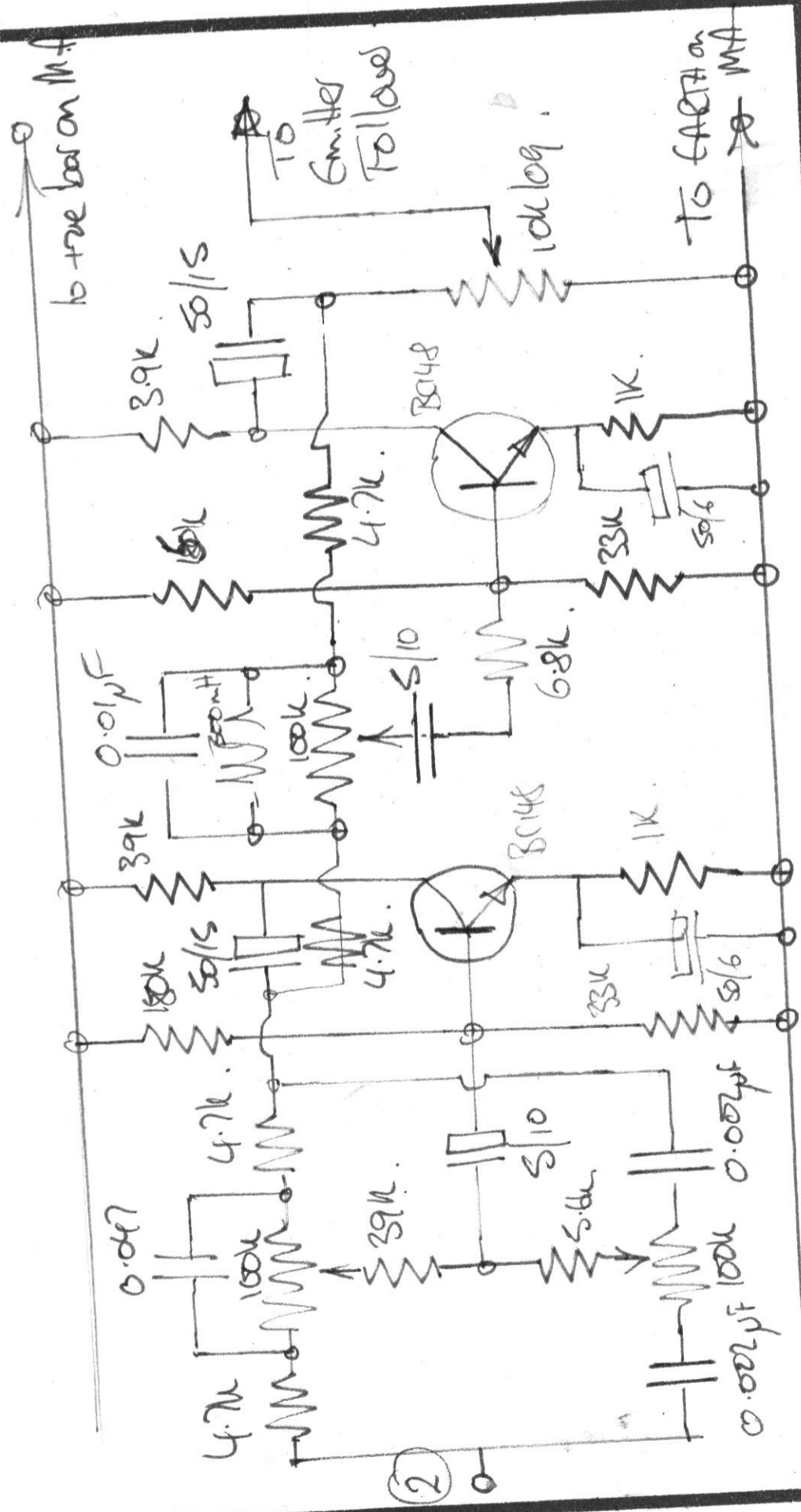
Allen and Heath Limited

Drummond House 203/209 North Gower Street

London N W 1 Tel: 01-387 9611/01-267 0011

20dB. LINE ATTENUATOR to microphone input.

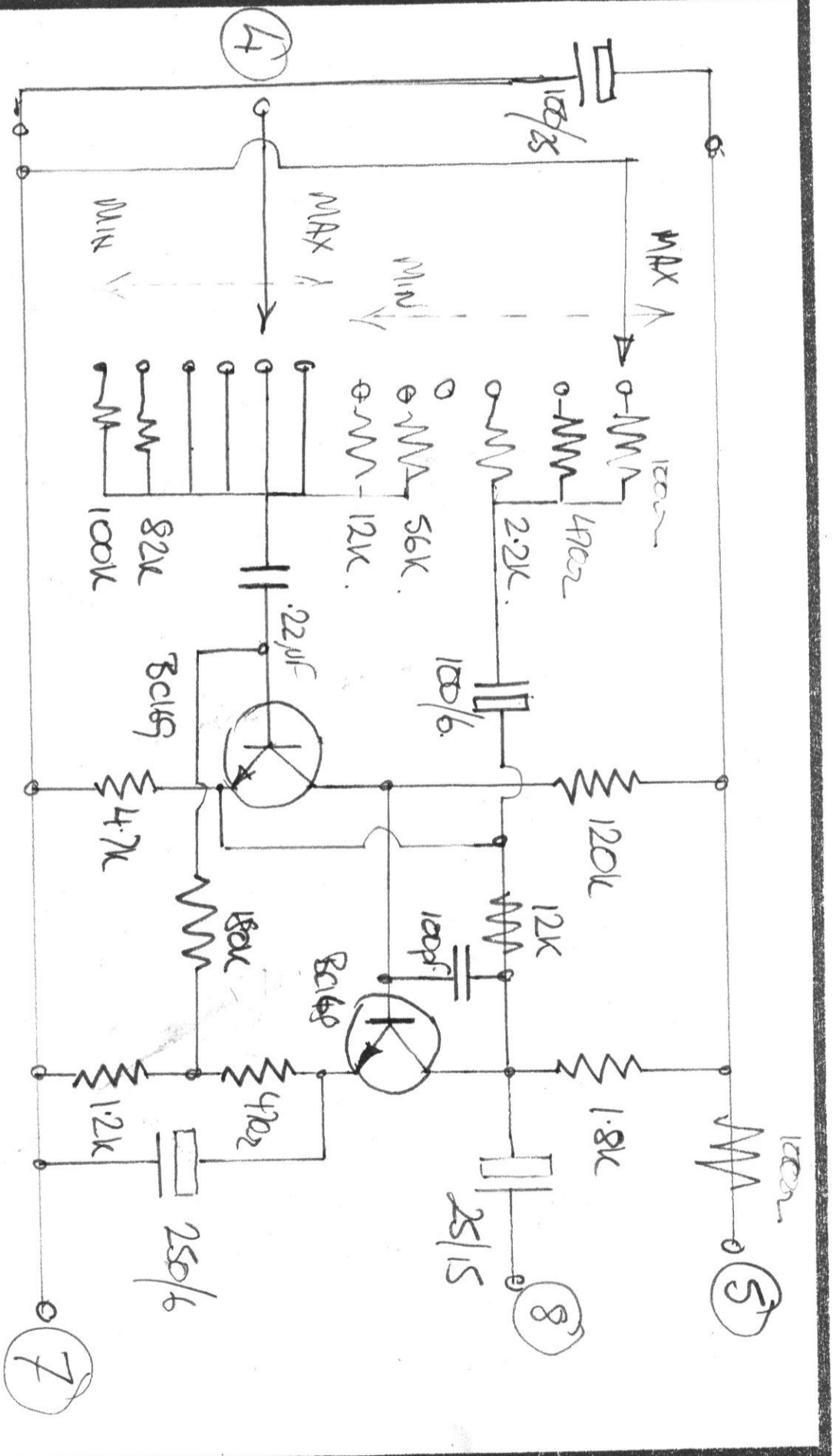
5.6.12
#AB90



EQ PART OF INPUT MODULE A/I.

Allen and Heath Limited

Drummond House 203/209 North Gower Street
 London N W 1 Tel: 01-387 9611/01-267 0011



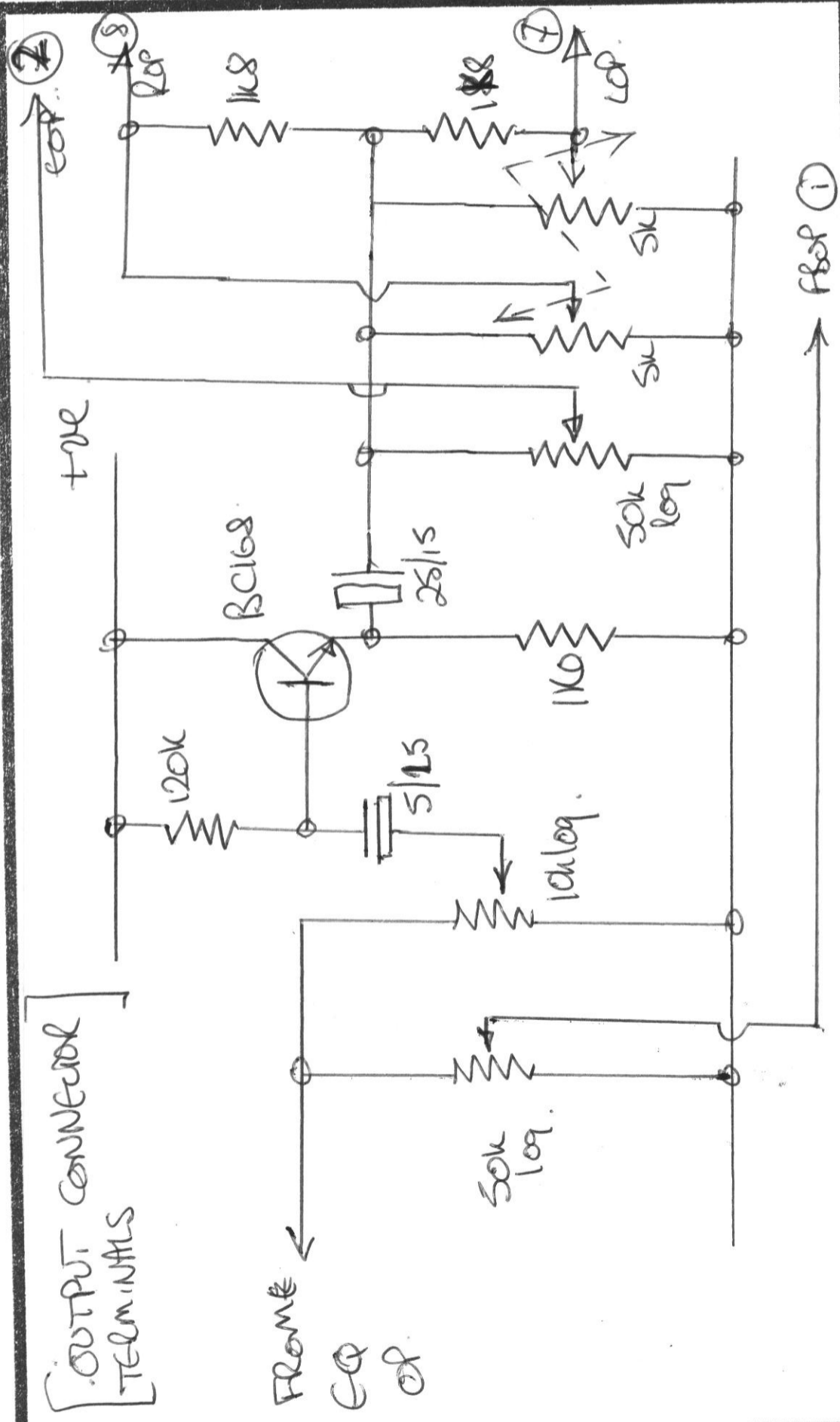
Allen and Heath Limited

Drummond House 203/209 North Gower Street
 London N W 1 Tel: 01-387 9611/01-267 0011

MIC. AMP PART OF 1400T MODULE A/1.

22/6/70
 A.F. Bangs.

[OUTPUT CONNECTOR
TERMINALS



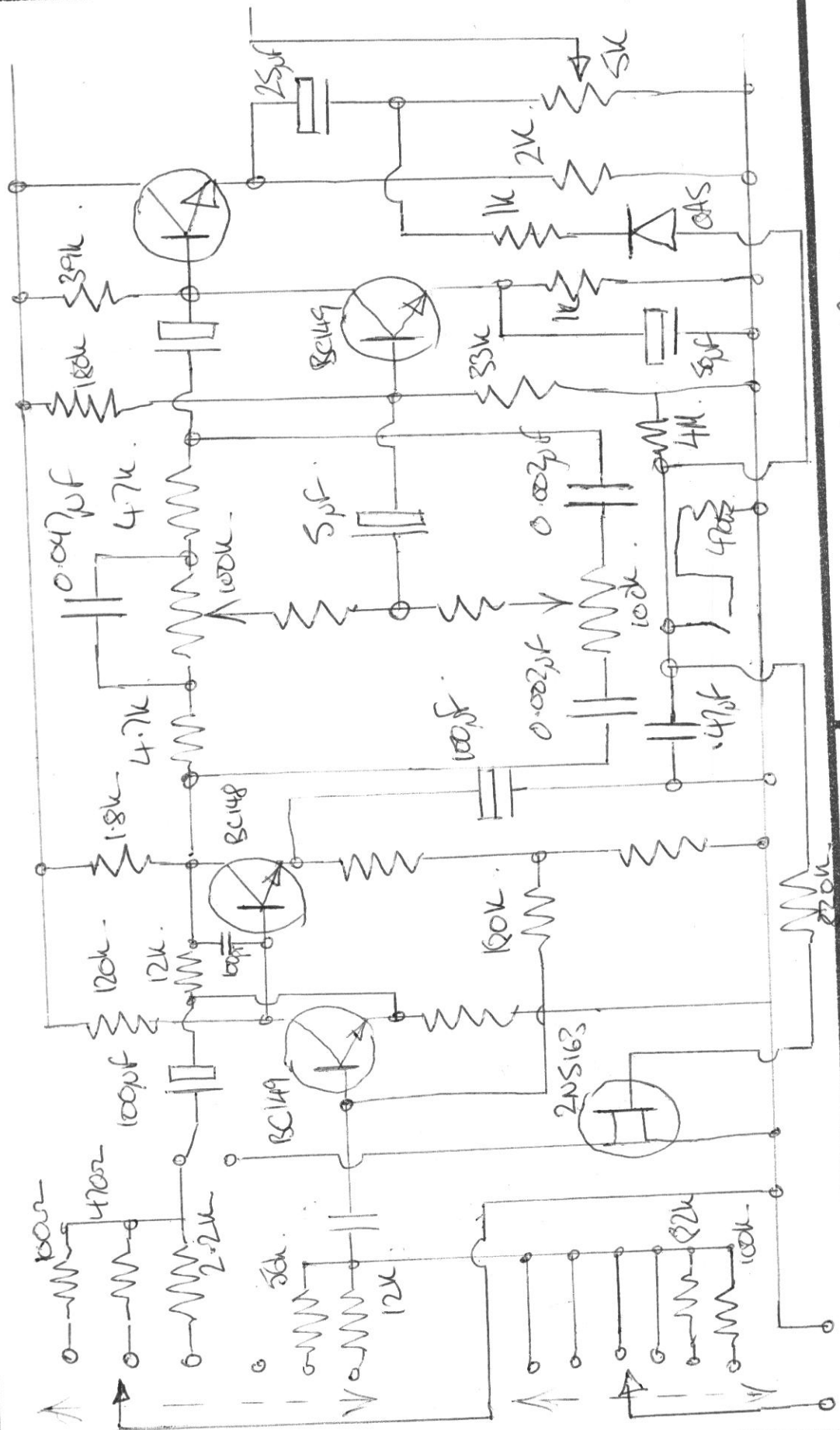
INPUT MODULE-A1 - OUTPUT SECTION.

SP271.
ATB-p.

Allen and Heath Limited

Drummond House 203/209 North Gower Street

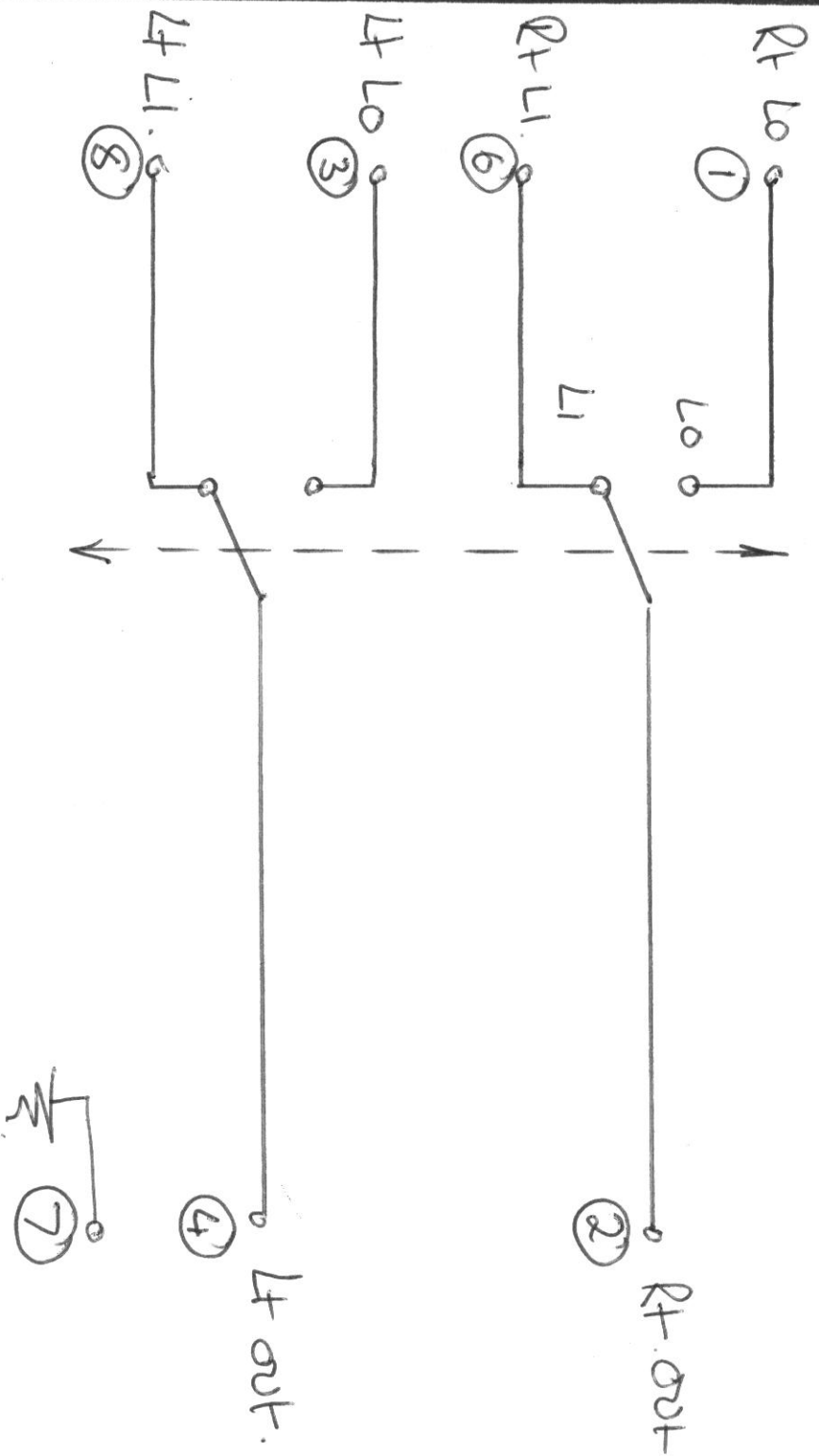
London NW 1 Tel: 01-387 9611/01-267 0011



Automatic MIC CHANNEL

Allen and Heath Limited
 Drummond House 203/209 North Gower Street
 London NW 1 Tel: 01-387 9611 / 01-267 0011

20/6/70
 A.T. Beye

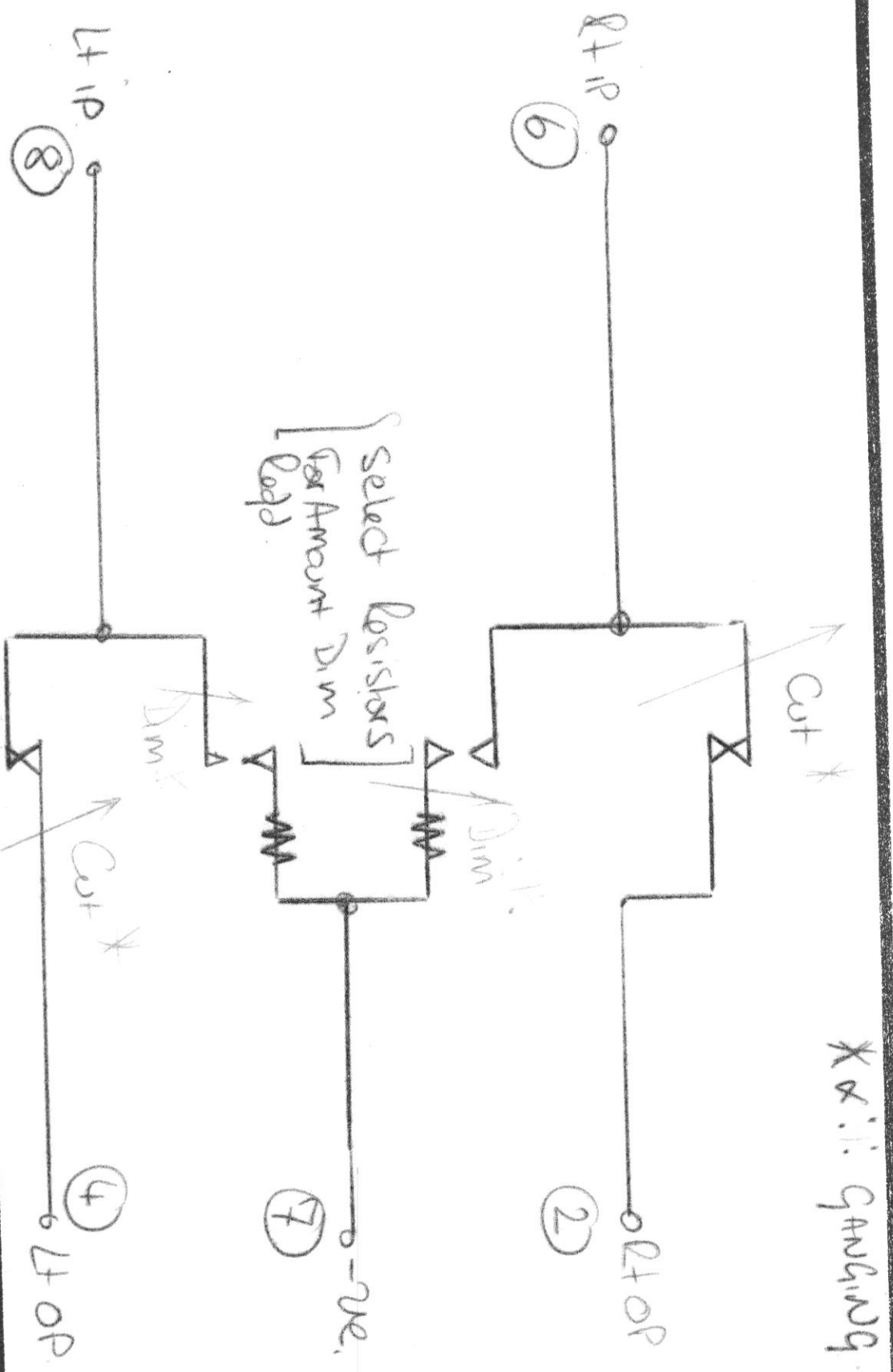


Allen and Heath Limited

Drummond House 203/209 North Gower Street
 London N W 1 Tel: 01-387 9611 / 01-267 0011

AUXILIARY MONITOR UNIT.

S/2/71
 A.T. Baya

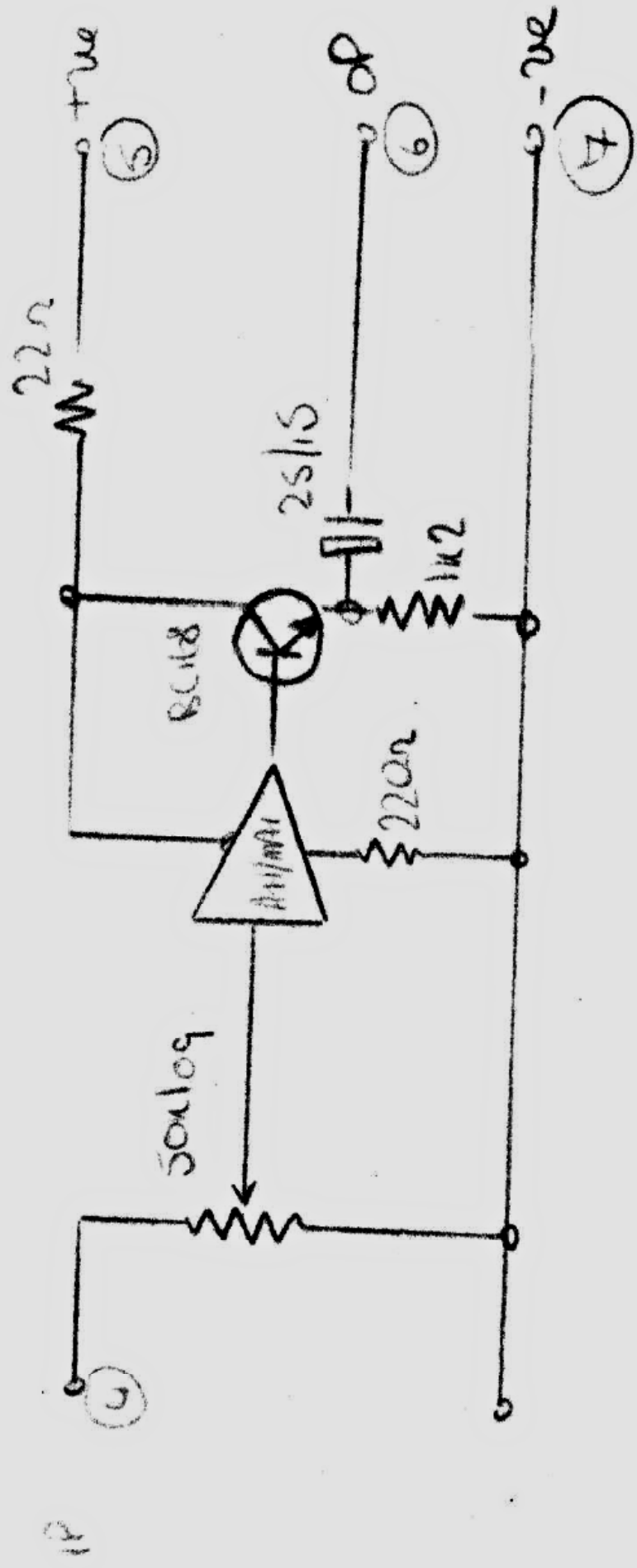


Allen and Heath Limited

Drummond House 203/209 North Gower Street
 London N W 1 Tel: 01-387 9611/01-267 0011

DIM/CUT UNIT.

5/2/77
 AT Base



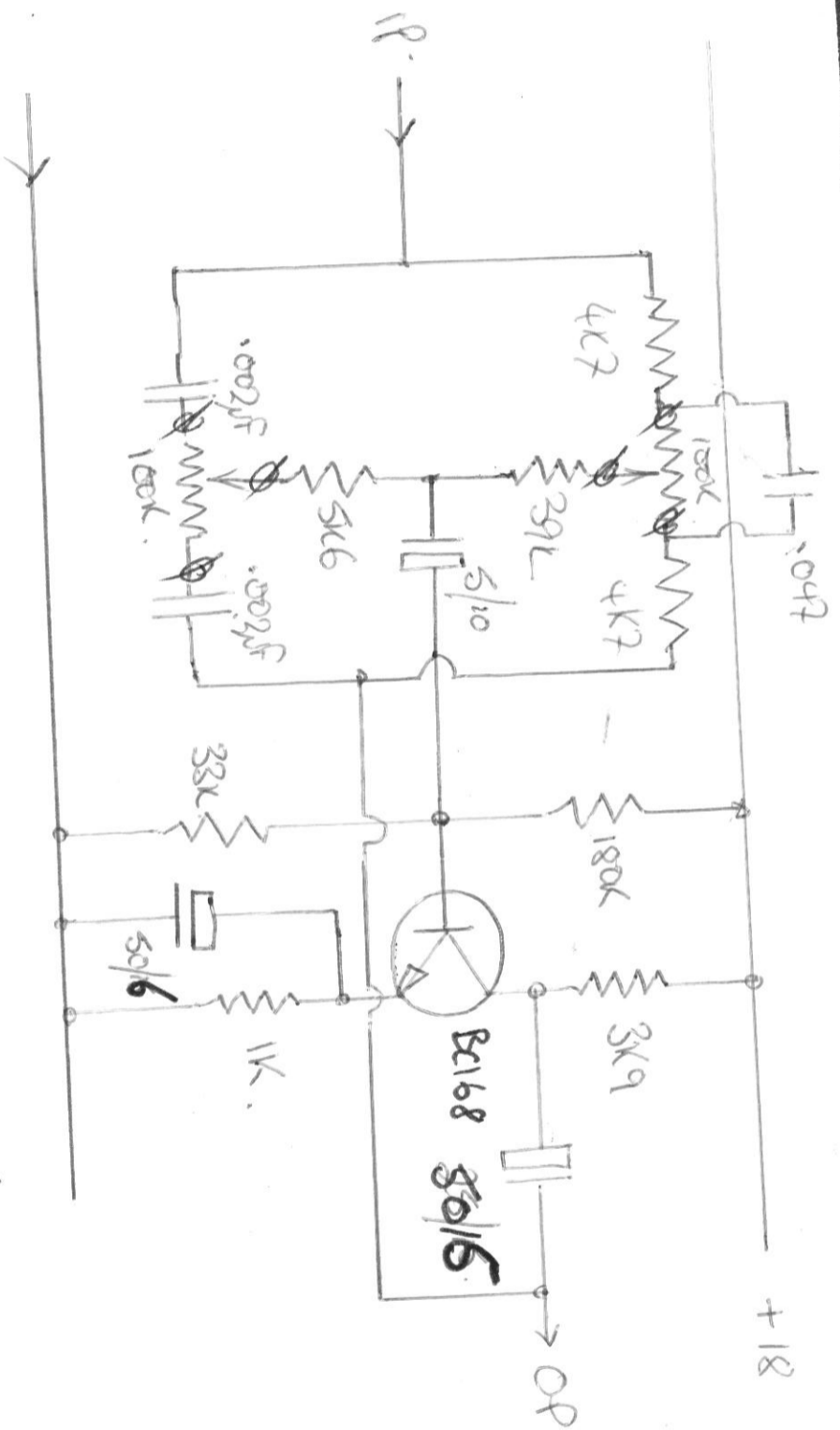
Allen and Heath Limited

Drummond House 203/209 North Gower Street

London N W 1 Tel: 01-387 9611 / 01-267 0011

ECHO OUTPUT UNIT

5/2/77
A. B. S. J. A.



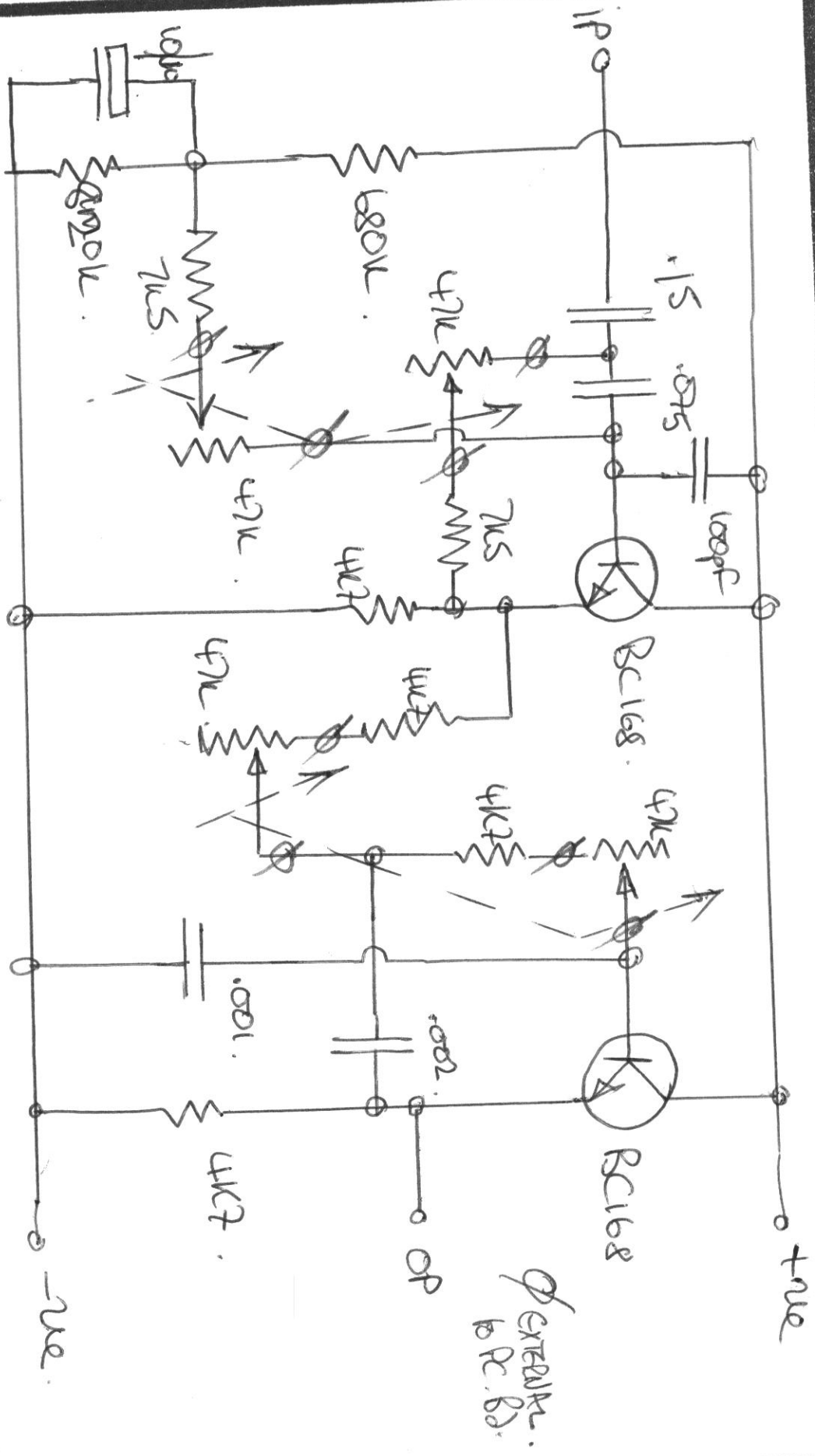
ΦEXTANTAL

Allen and Heath Limited

Drummond House 203/209 North Gower Street
London N W 1 Tel: 01-387 9611/01-267 0011

COURSE CARD EQ1.

A58pa
14.10.70.

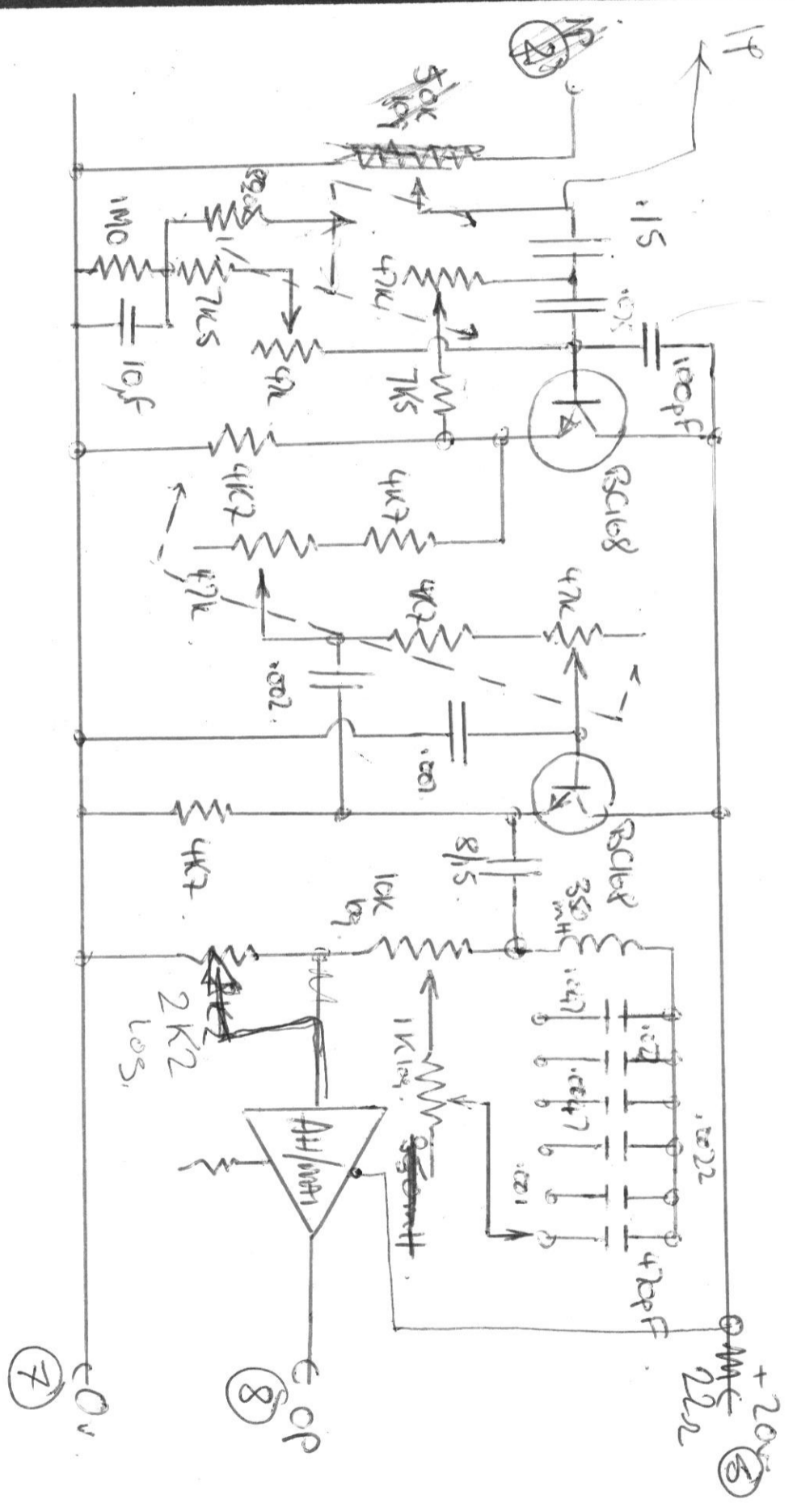


Allen and Heath Limited

Drummond House 203/209 North Gower Street
 London N W 1 Tel: 01-387 9611/01-267 0011

COURSE CARD 0024

S12174
 ATRB



10 07
 29 420

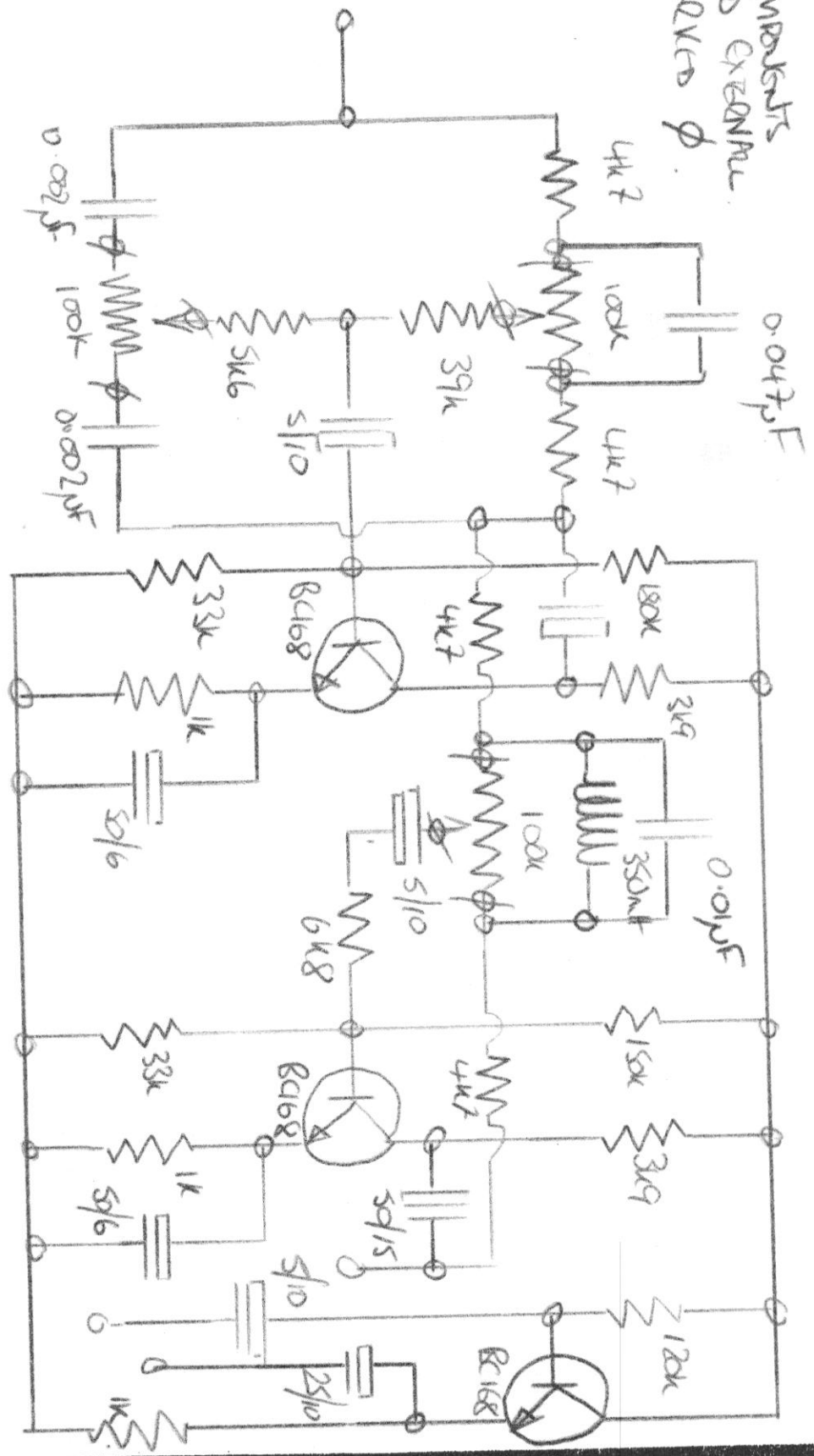
Allen and Heath Limited

Drummond House 203/209 North Gower Street
 London N W 1 Tel: 01-387 9611/01-267 0011

EQUALISER EQ12

18/12/70
 A.B.M.

ALL COMPONENTS
MOUNTED EXTERNAL
ARE MARKED ϕ



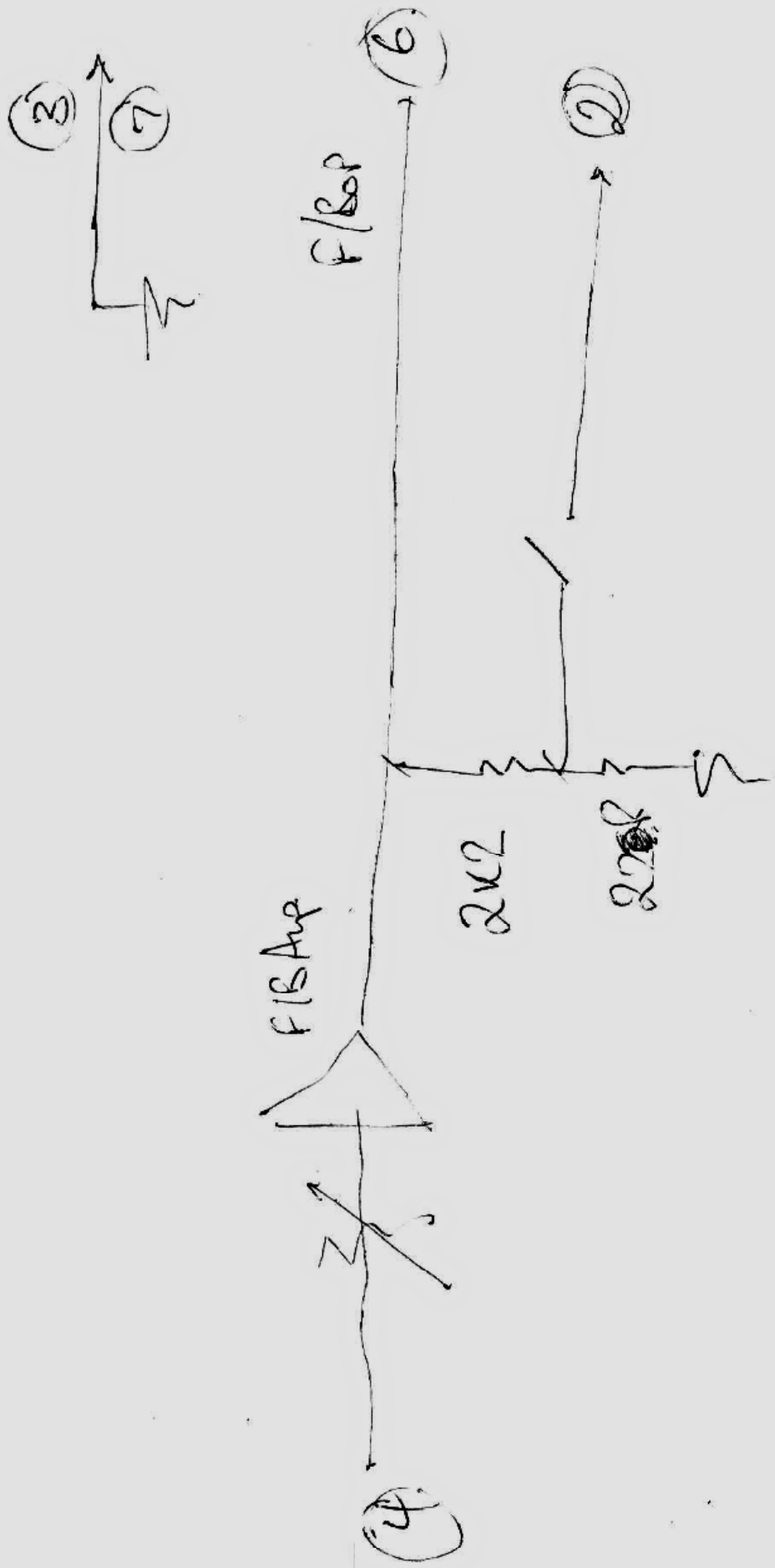
Allen and Heath Limited

Drummond House 203/209 North Gower Street
London N W 1 Tel: 01-387 9611/01-267 0011

FOUR-Stage Amp EG1A

6/2/77
ATB:pc

BLACK



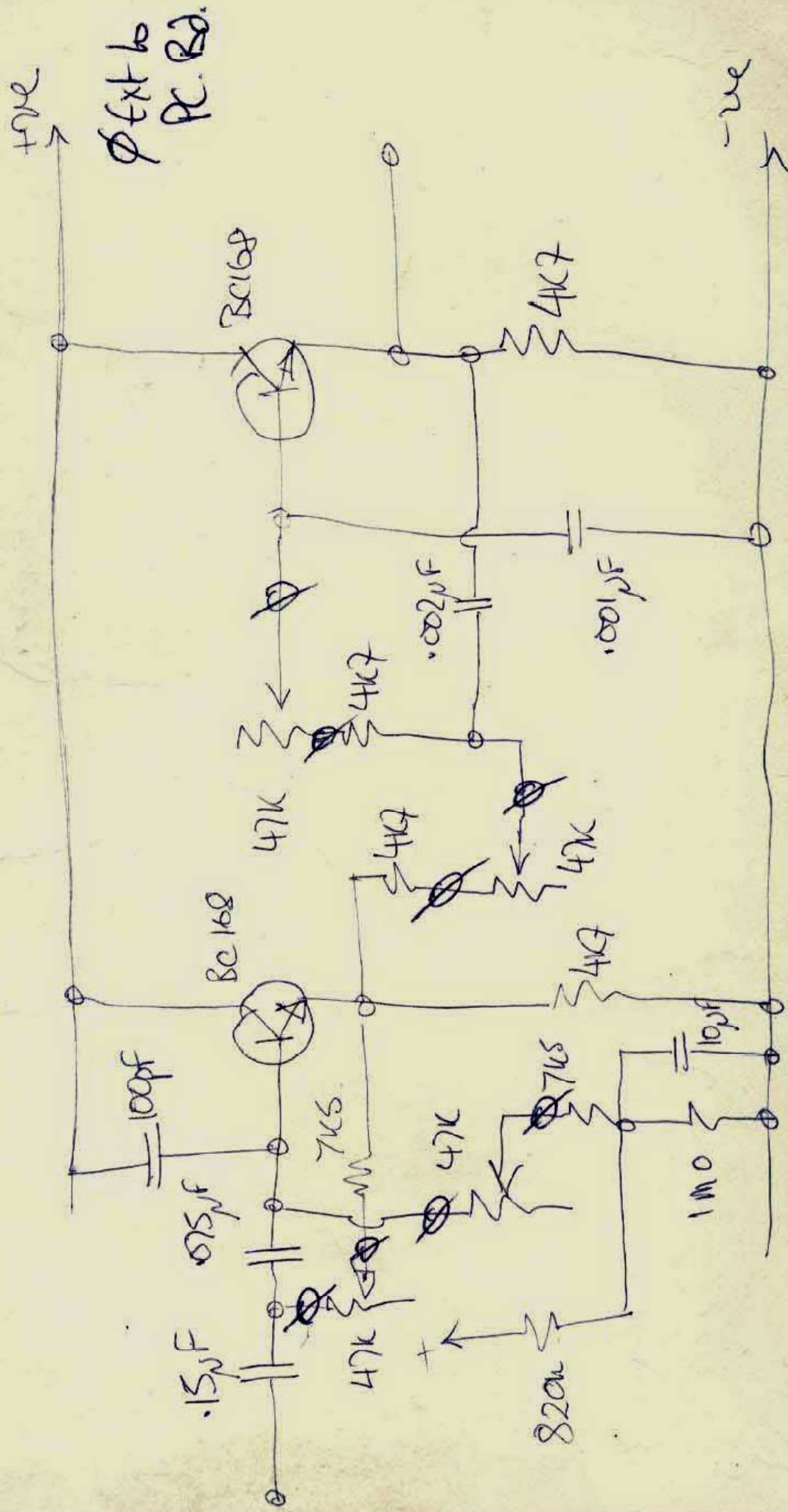
F/B to T/B Switch

20.4.71.

Allen and Heath Limited

Drummond House 203/209 North Gower Street

London N W 1 Tel: 01-387 9611 / 01-267 0011



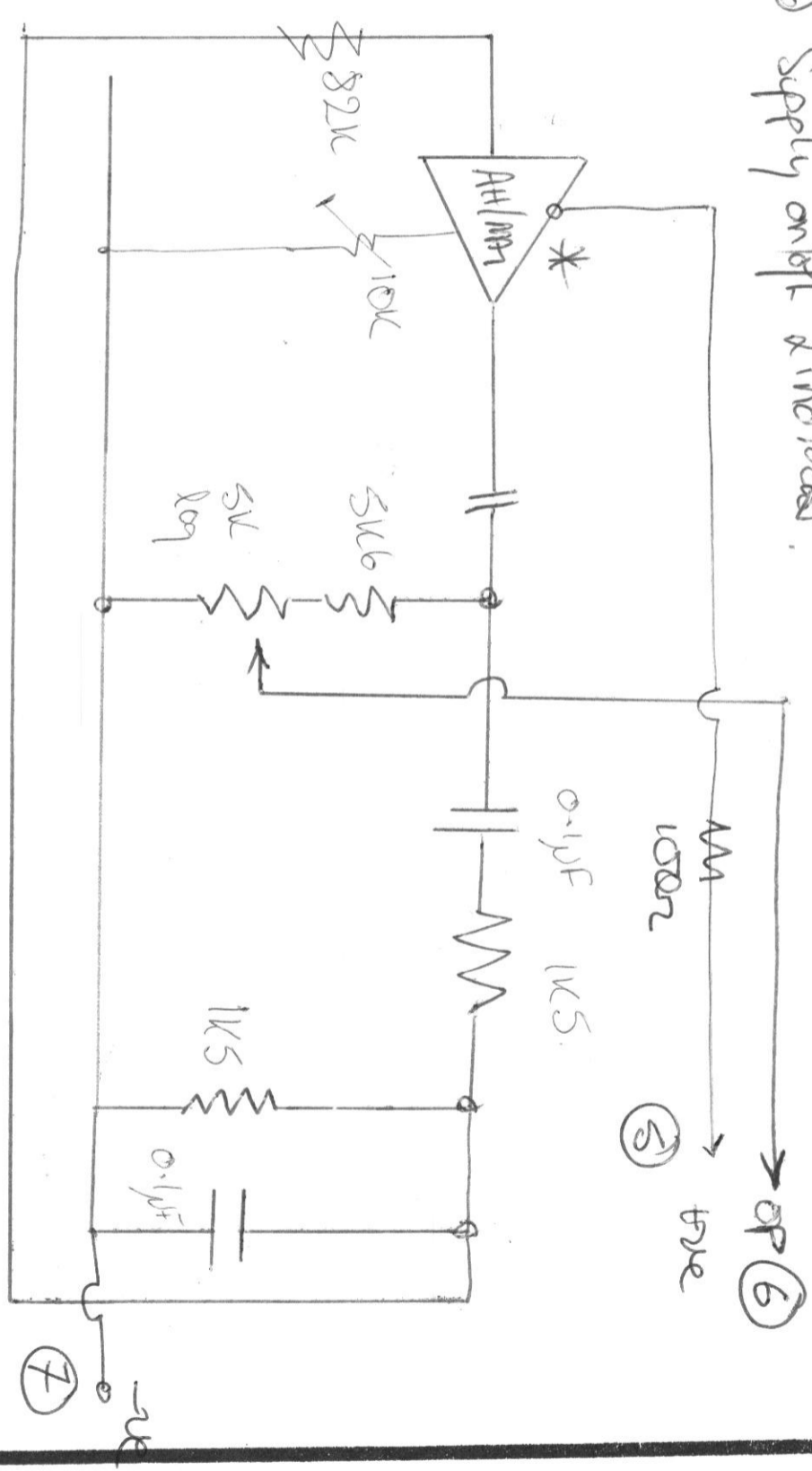
Allen and Heath Limited

Drummond House 203/209 North Gower Street
 London N W 1 Tel: 01-387 9611/01-267 0011

FILTER SECTION COURSER A3

KS 11/70
 ATB/c

* 250/6 Capacitor is replaced by 22 mF capacitor for space reasons.
 † Changed Supply on/off & indicators.



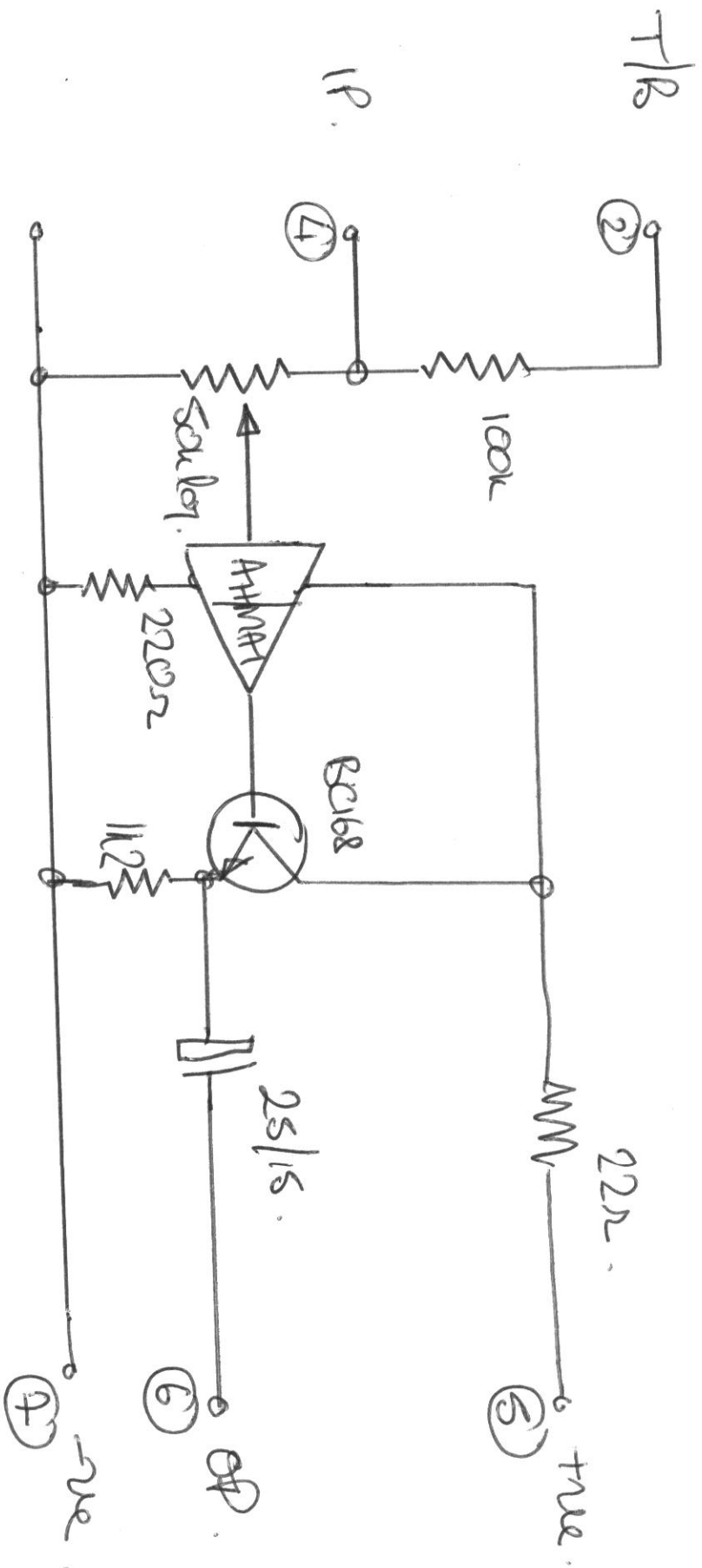
Allen and Heath Limited

Drummond House 203/209 North Gower Street
 London N W 1 Tel: 01-387 9611 / 01-267 0011

FIXED F. OSCILLATOR. (≈ 1KHz)

12/8/50-

AKB-92-



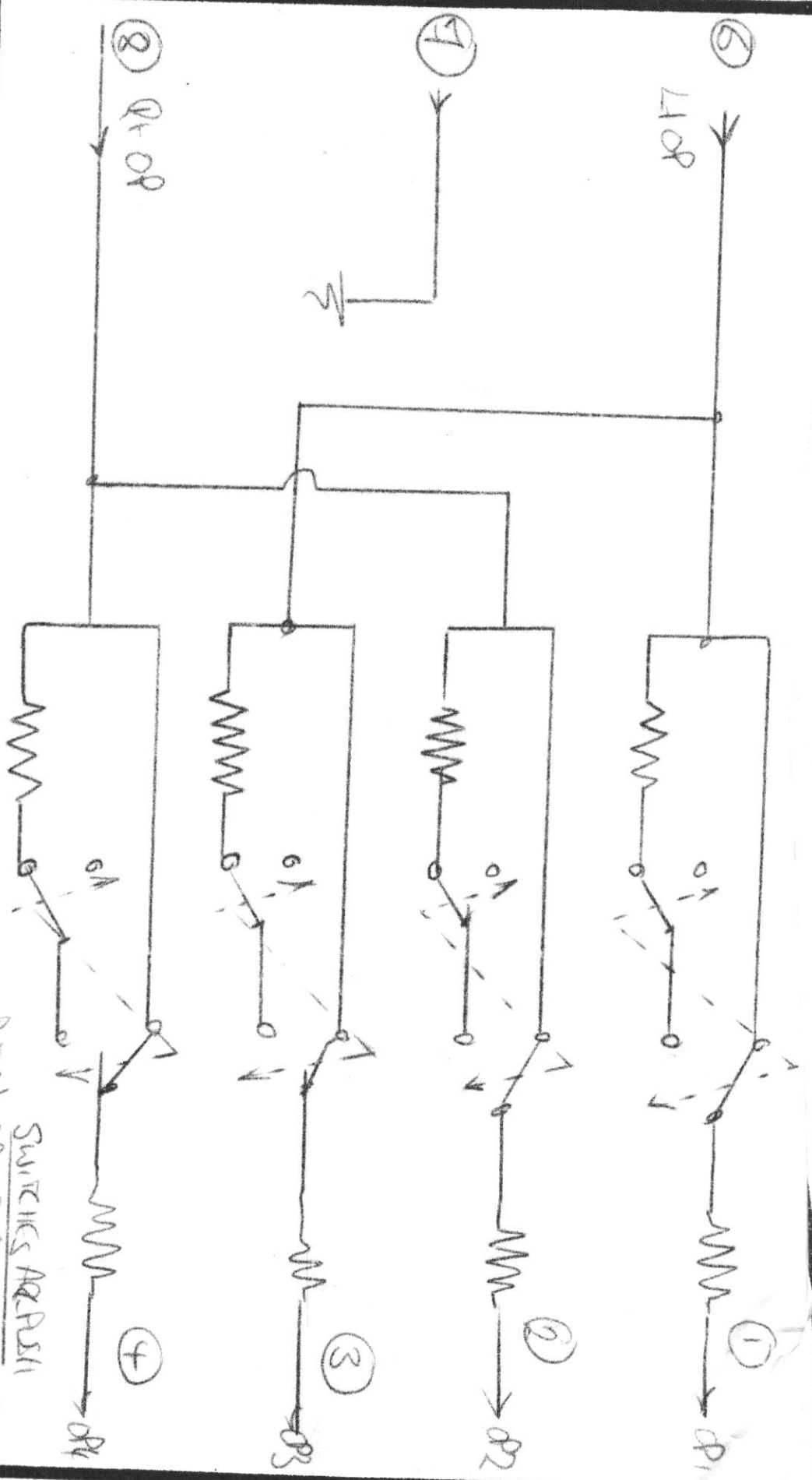
Allen and Heath Limited

Drummond House 203/209 North Gower Street
 London N W 1 Tel: 01-387 9611/01-267 0011

FB OUTPUT UNIT.

2 ETAD. SEMD

S12171.
 ATB99.

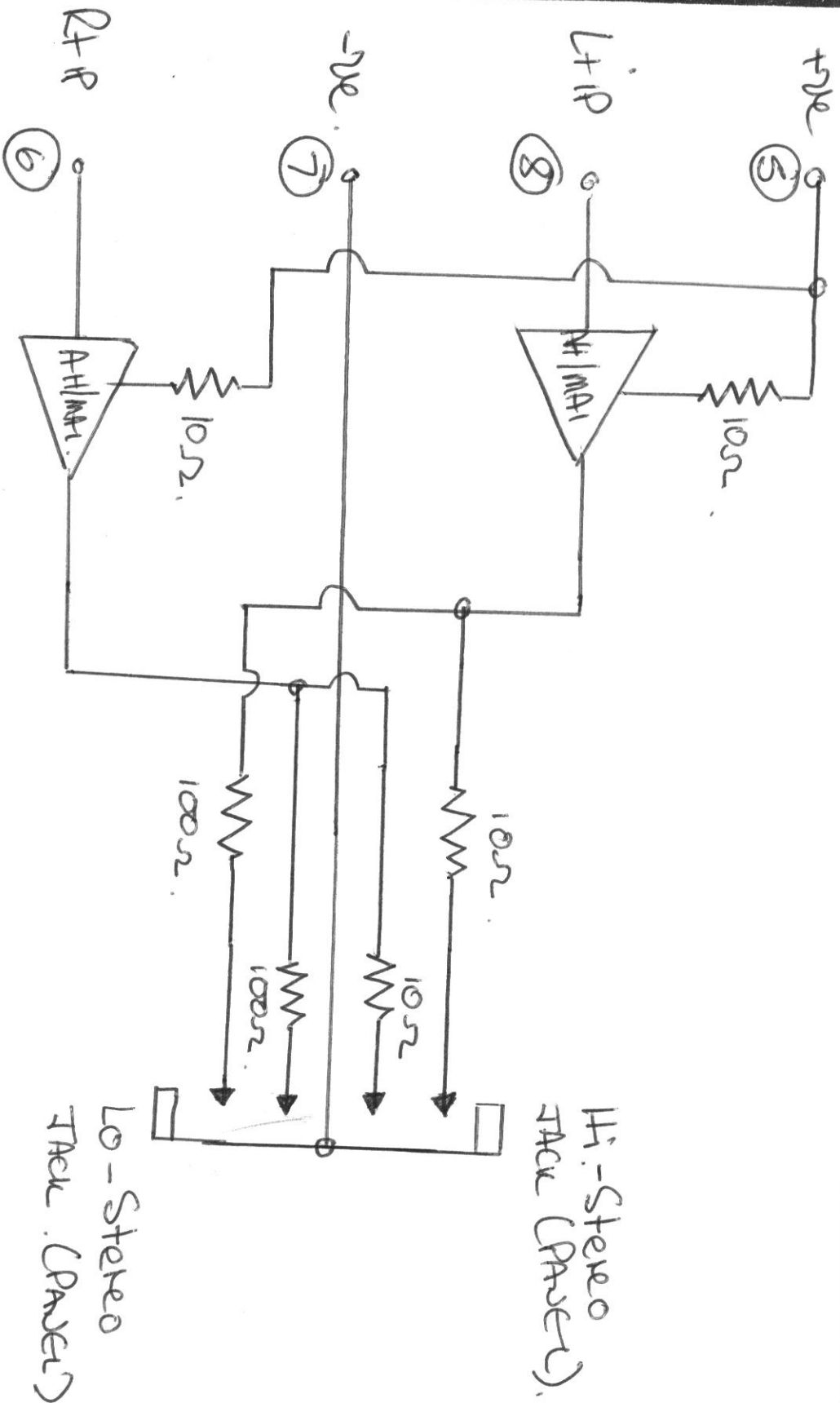


Allen and Heath Limited

Drummond House 203/209 North Gower Street
 London N W 1 Tel: 01-387 9611 / 01-267 0011

ATTACH CABLE

1 S. 71
 ATTORNEY



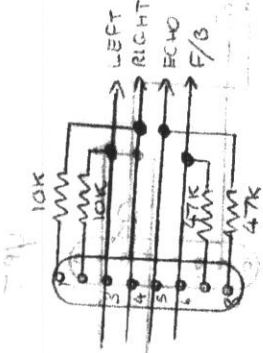
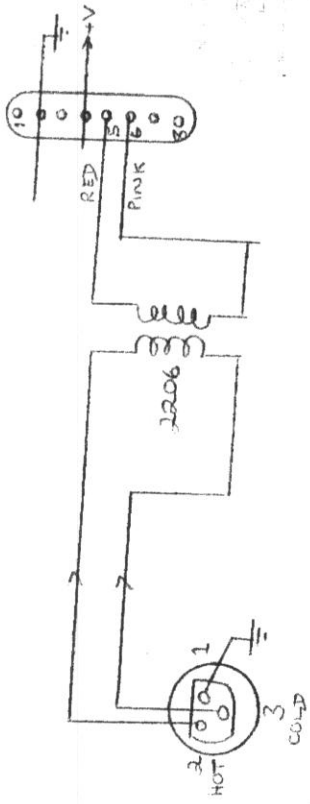
Allen and Heath Limited

Drummond House 203/209 North Gower Street
 London N W 1 Tel: 01-387 9611/01-267 0011

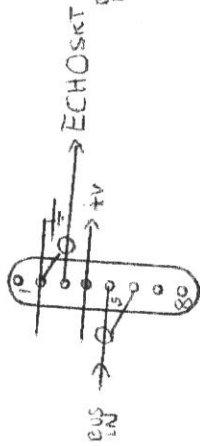
HEADPHONE AMPLIFIER (BACK)

5/2/74
 ATR 892

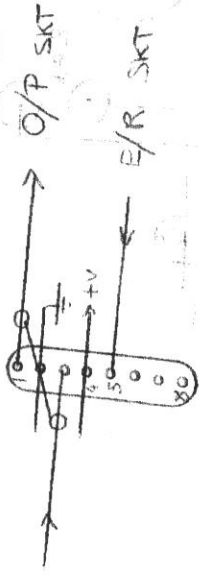
INPUT



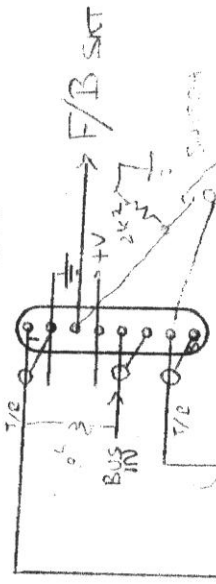
ECHO



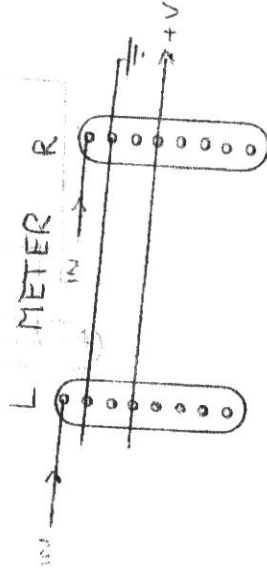
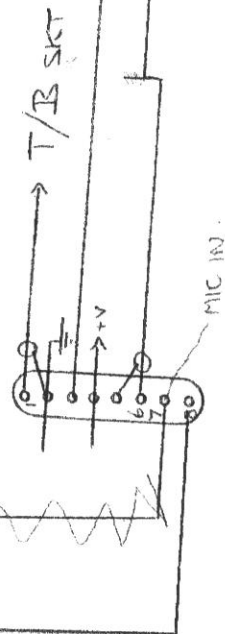
OUTPUT



FOLDBACK



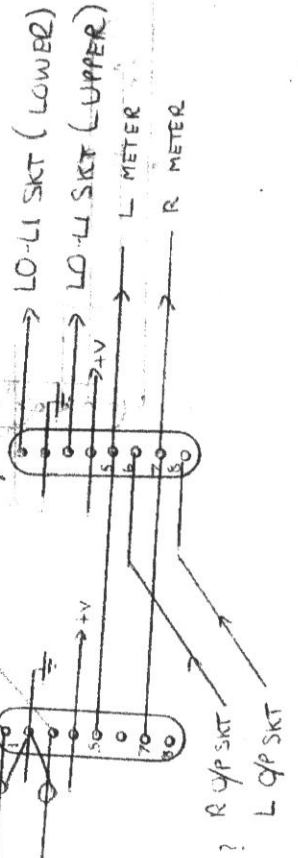
TALKBACK



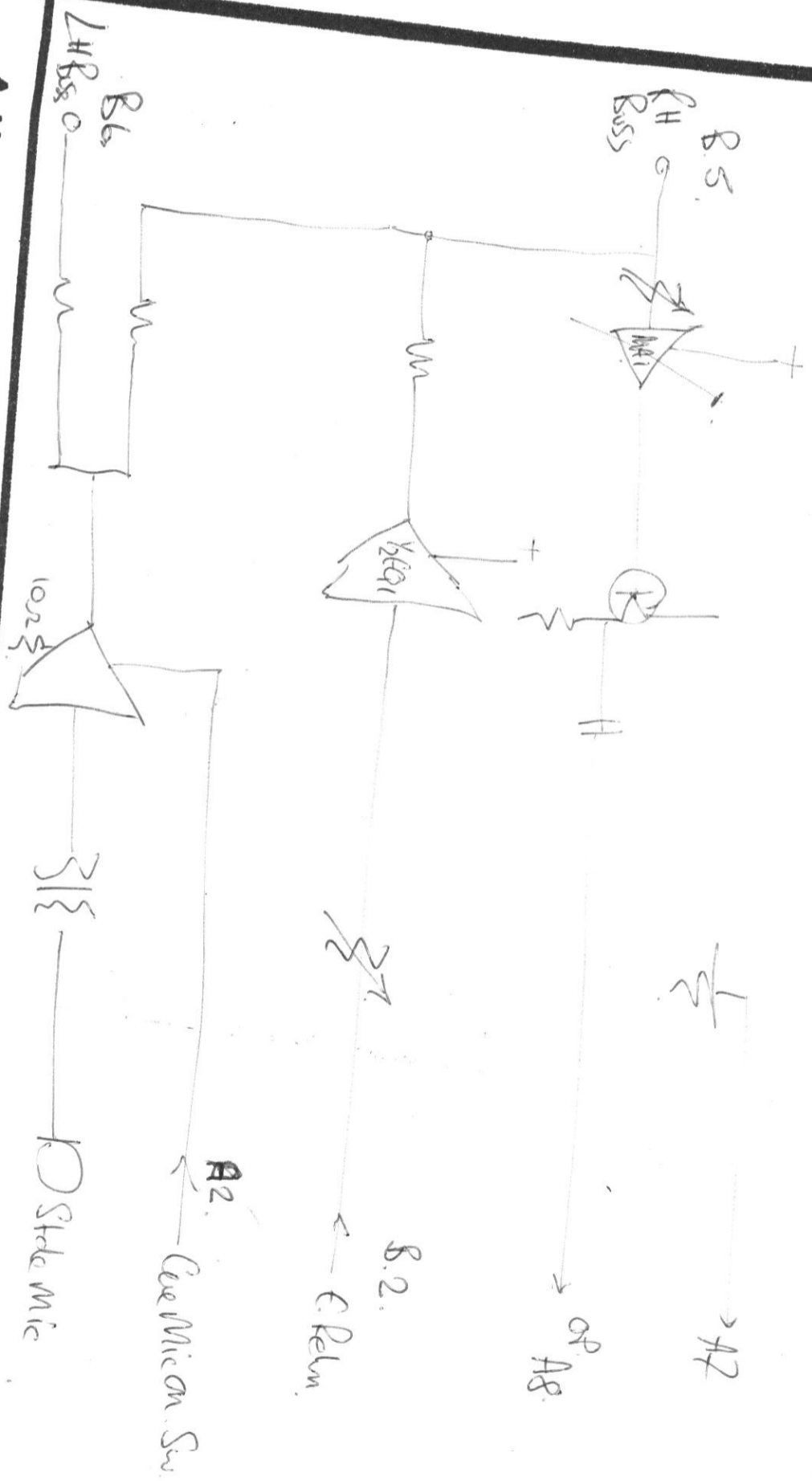
PAN/VOL SKTS (aux in)

PAN/VOL

L/LD



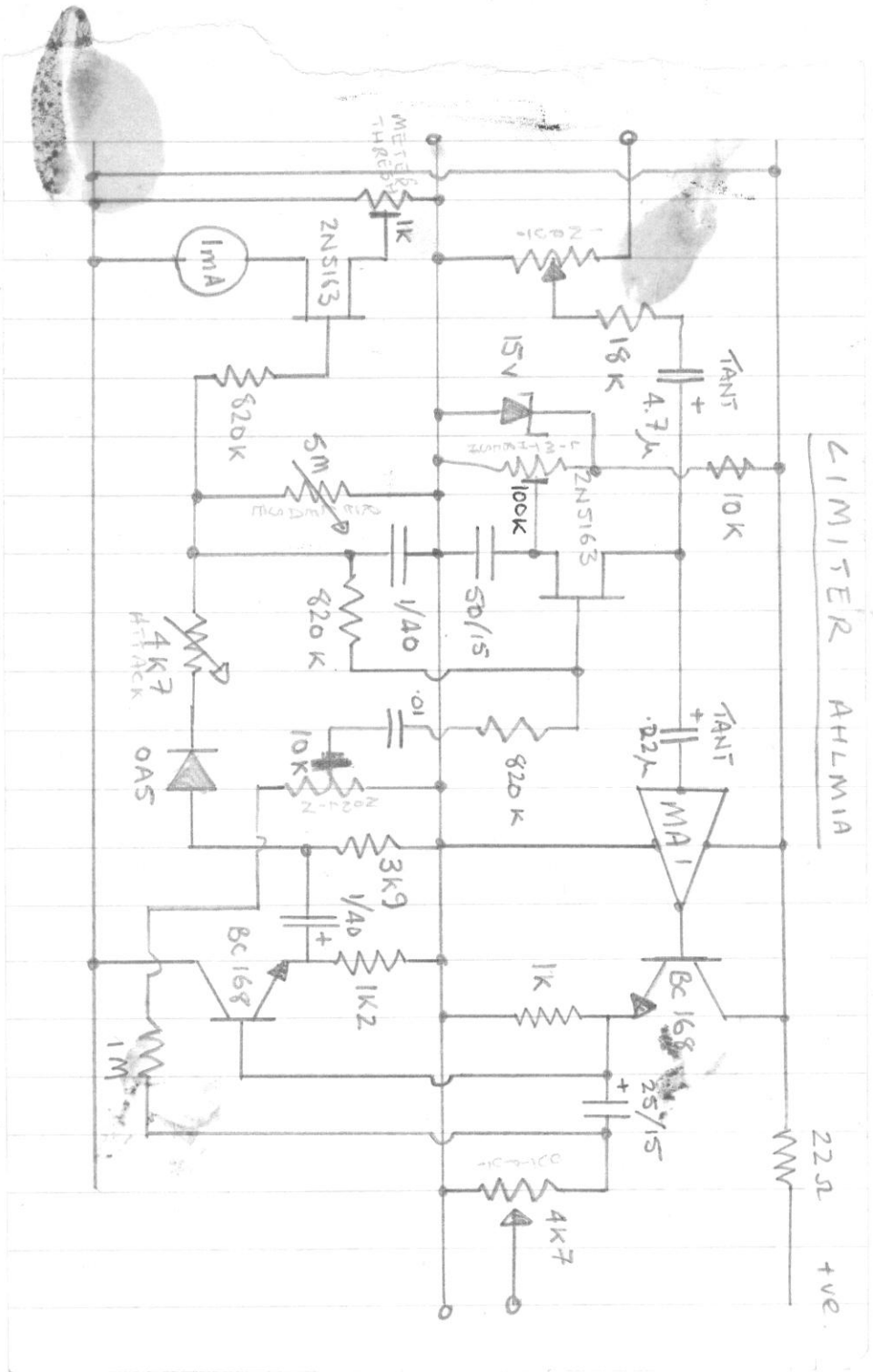
HARNES PIN WIRING



Allen and Heath Limited

Drummond House 203/209 North Gower Street
 London N W 1 Tel: 01-387 9611/01-267 0011

JOHN STANLEY R.H. & NATURE



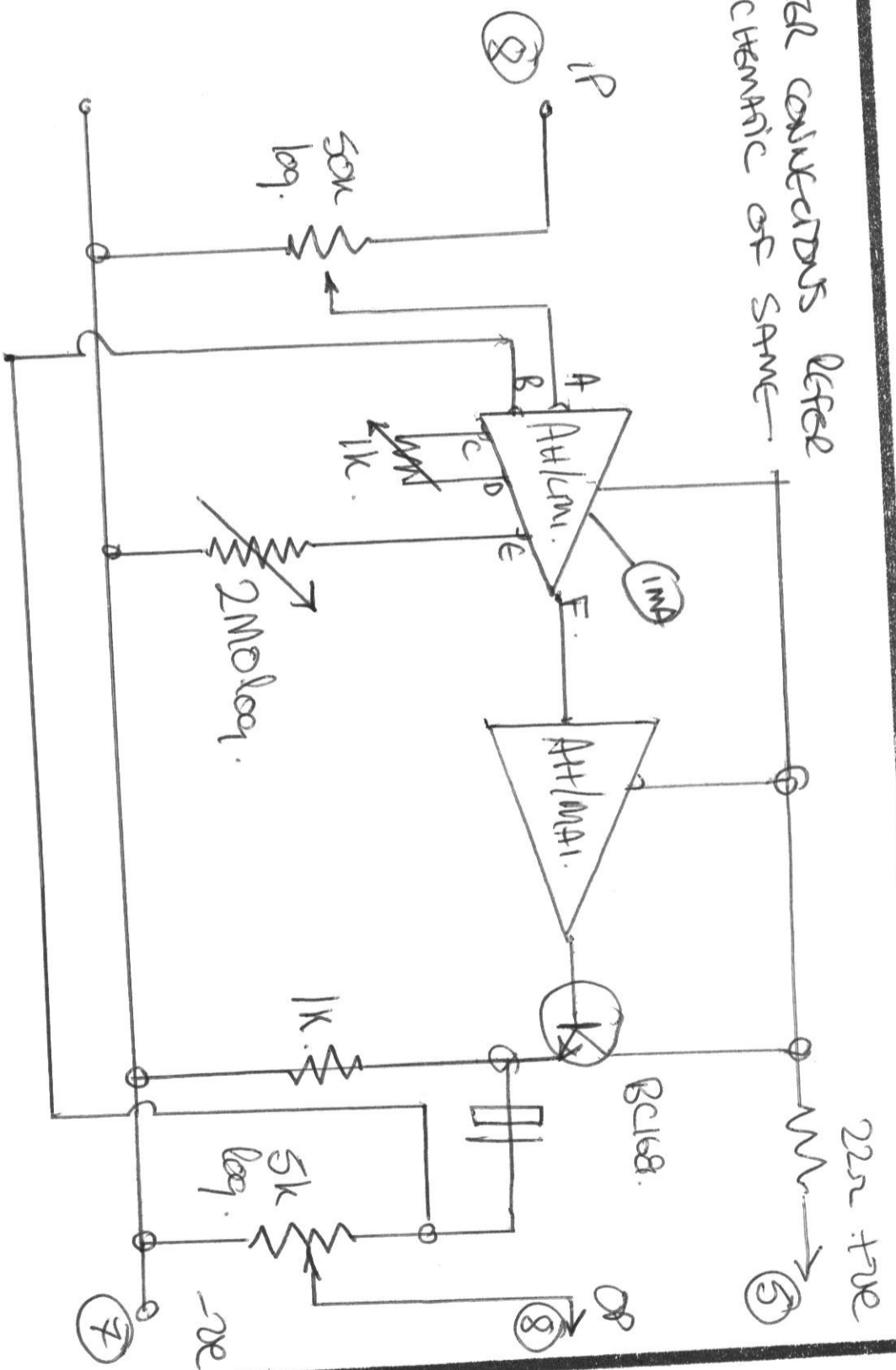
LIMITER AHLMIA

Allen and Heath Limited.

Pembroke House, Campsbourne Road,
London, N8, 7BR. Tel: 01-340-3291.

A/3 LIMITER

LIMITER CONNECTIONS REFER TO SCHEMATIC OF SAME.



Allen and Heath Limited

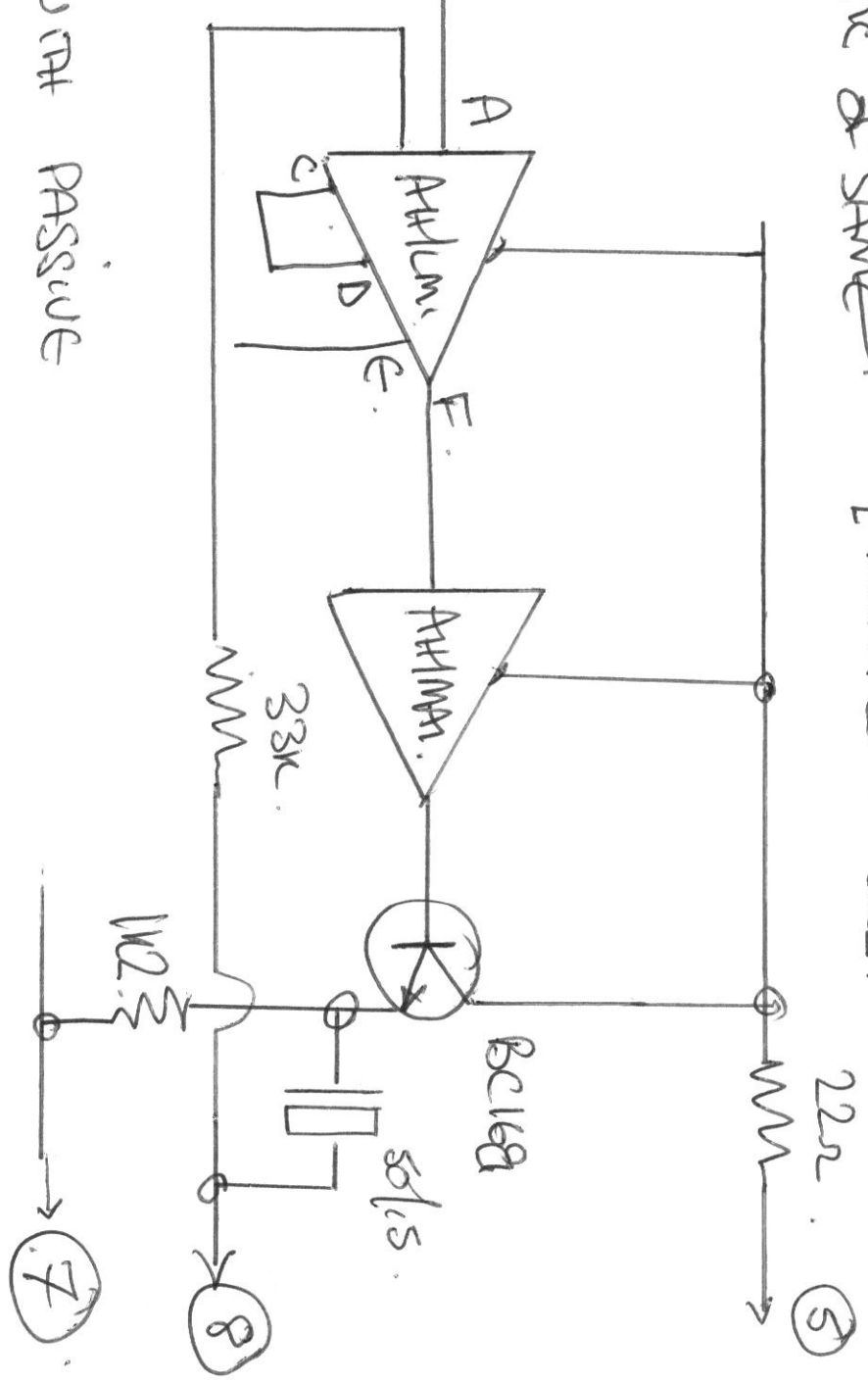
Drummond House 203/209 North Gower Street
London N W 1 Tel: 01-387 9611/01-267 0011

Block Diagram. LIMITER. A44A

S12/76
A/R 1/2

LIMITER CONNECTIONS REFER TO SCHEMATIC OF SAME. [ALL PINS ON REAR CONNECTOR].

FROM INPUT SECTION OF UNIT.

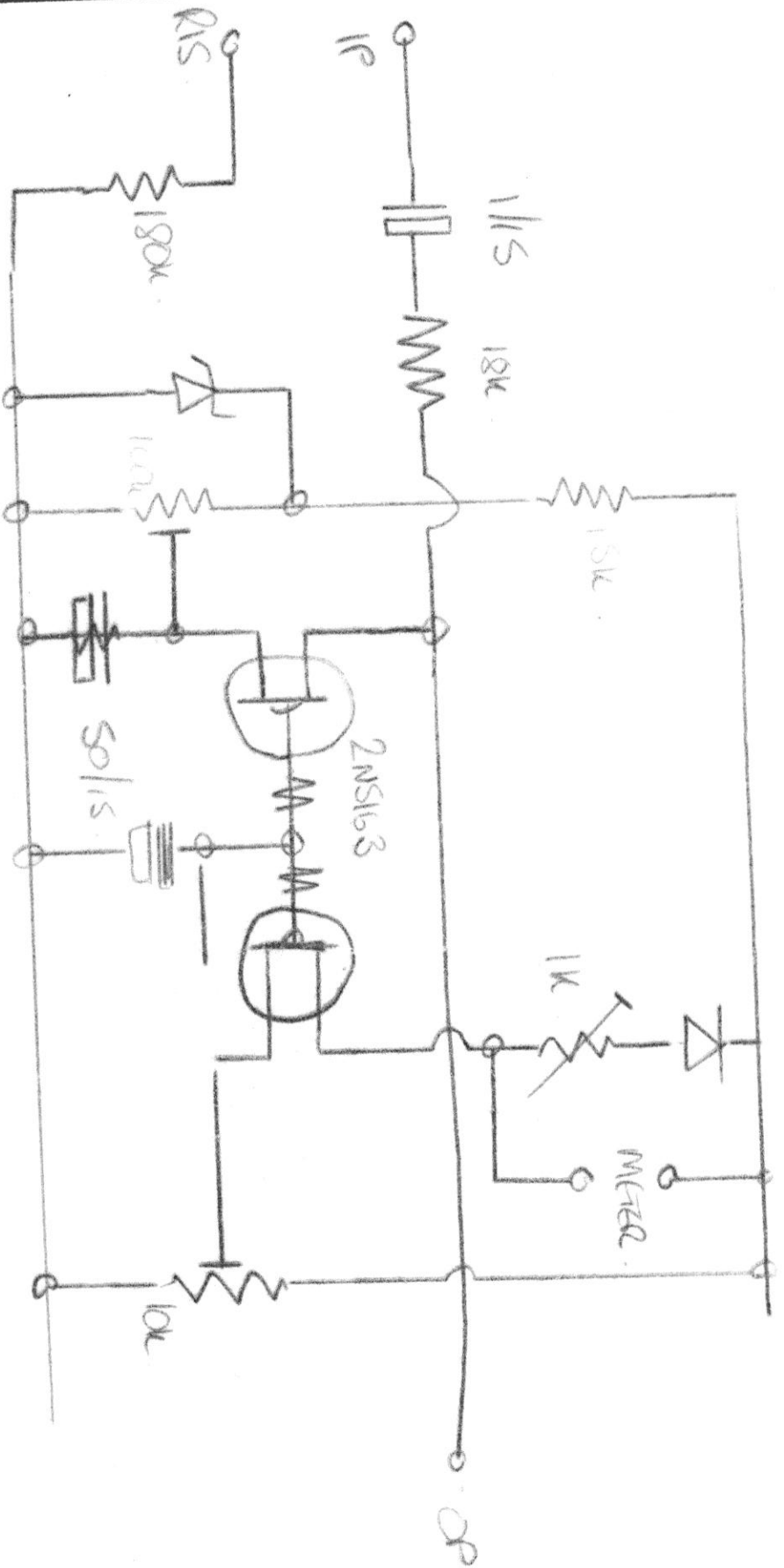


FOR USE WITH PASSIVE NETWORKS.

Allen and Heath Limited

Drummond House 203/209 North Gower Street

London N W 1 Tel: 01-387 9611 / 01-267 0011



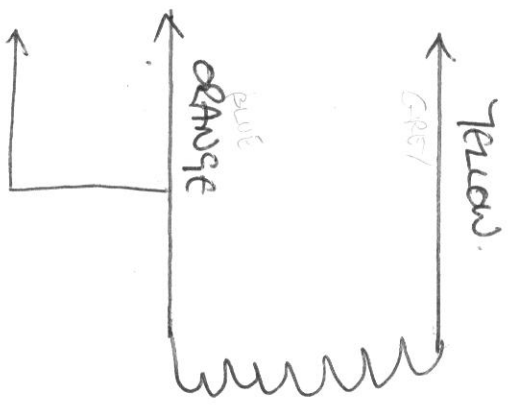
Allen and Heath Limited

Drummond House 203/209 North Gower Street
 London NW 1 Tel: 01-387 9611 / 01-267 0011

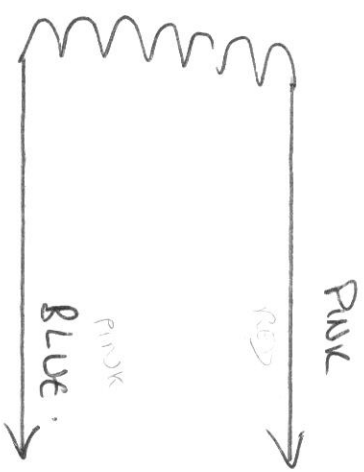
LIMITER BOARD AH/LM1.

10/1/70.

LOOK 2.
 This side normally GREEN.



TRANSFORMER WINDING IN PHASE.
 LOOK 1.

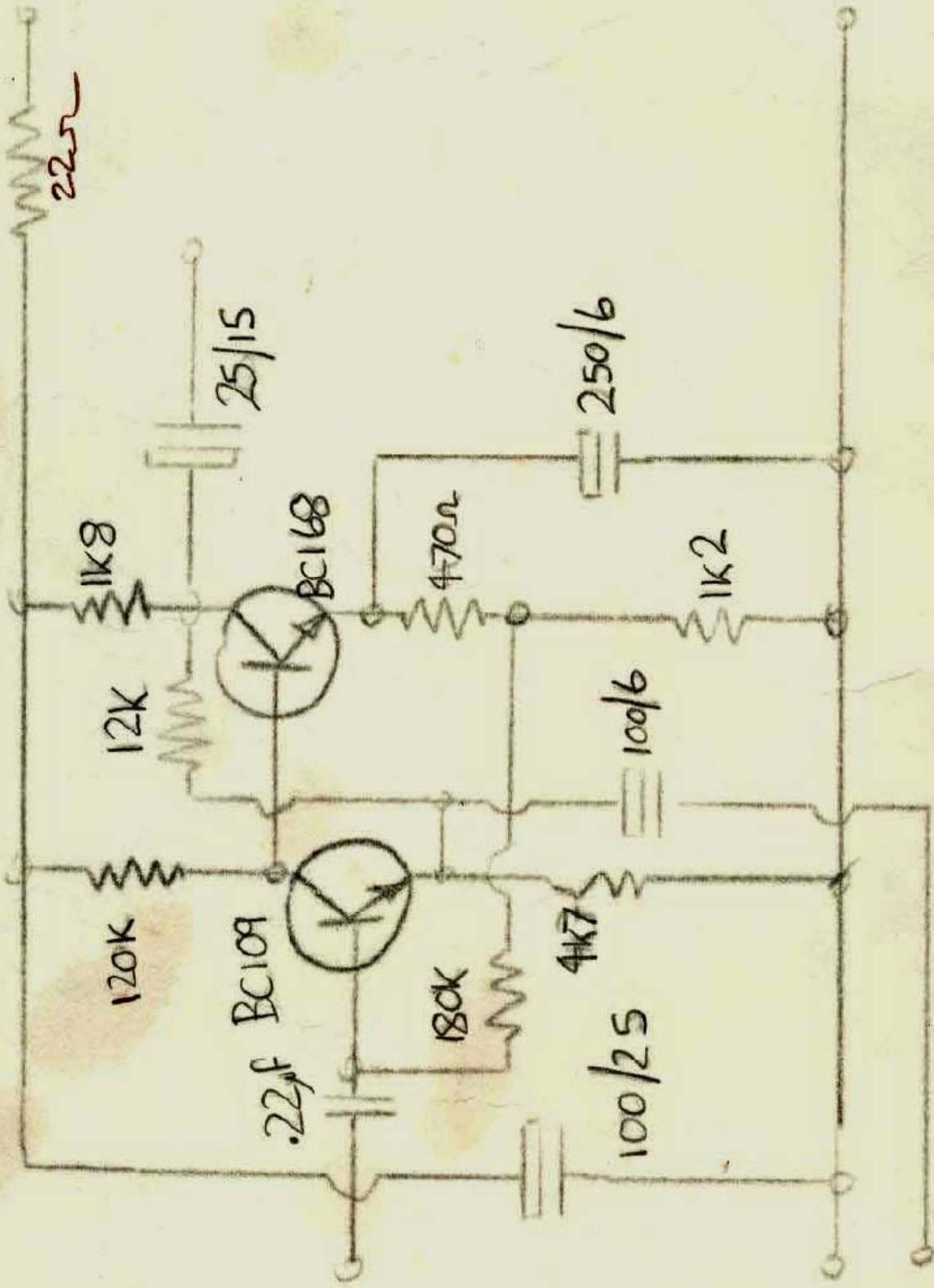


Allen and Heath Limited

Drummond House 203/209 North Gower Street
 London N W 1 Tel: 01-387 9611/01-267 0011

MICROPHONE TRANSFORMER. B31/4.

3/6/76
 A-J Baya.



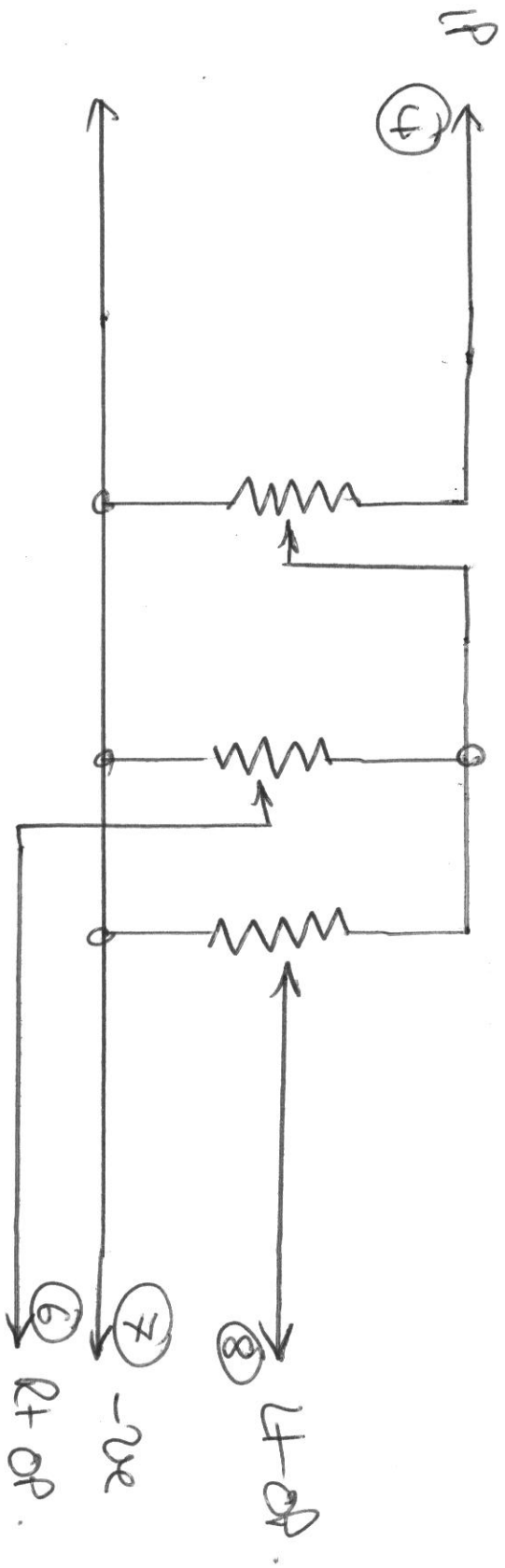
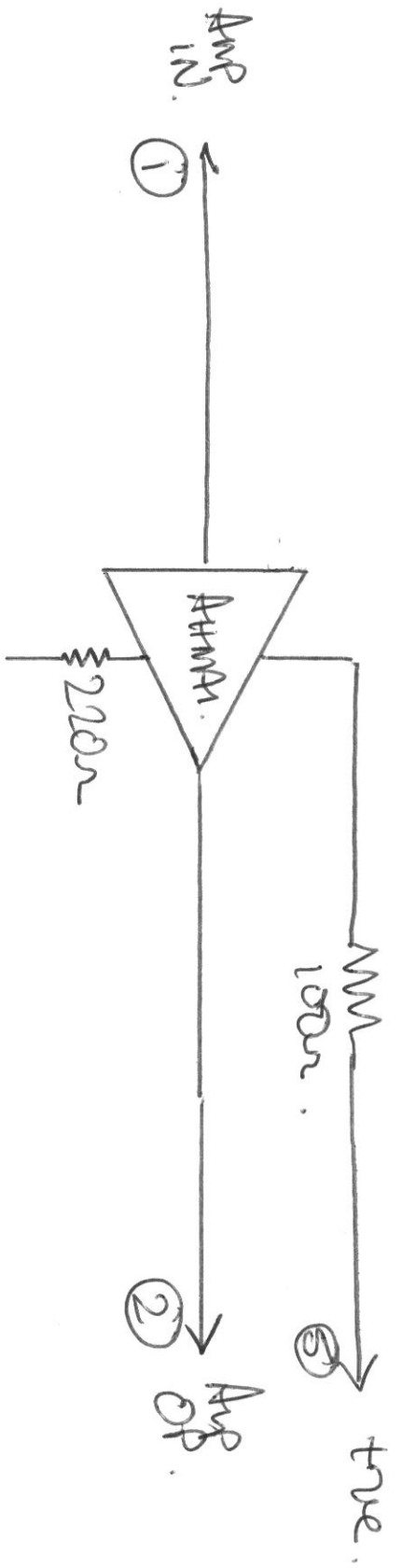
Allen and Heath Limited

Drummond House 203/209 North Gower Street

London N W 1 Tel: 01-387 9611/01-267 0011

Microphone Amp AH1MA1

5/2/74
ATB

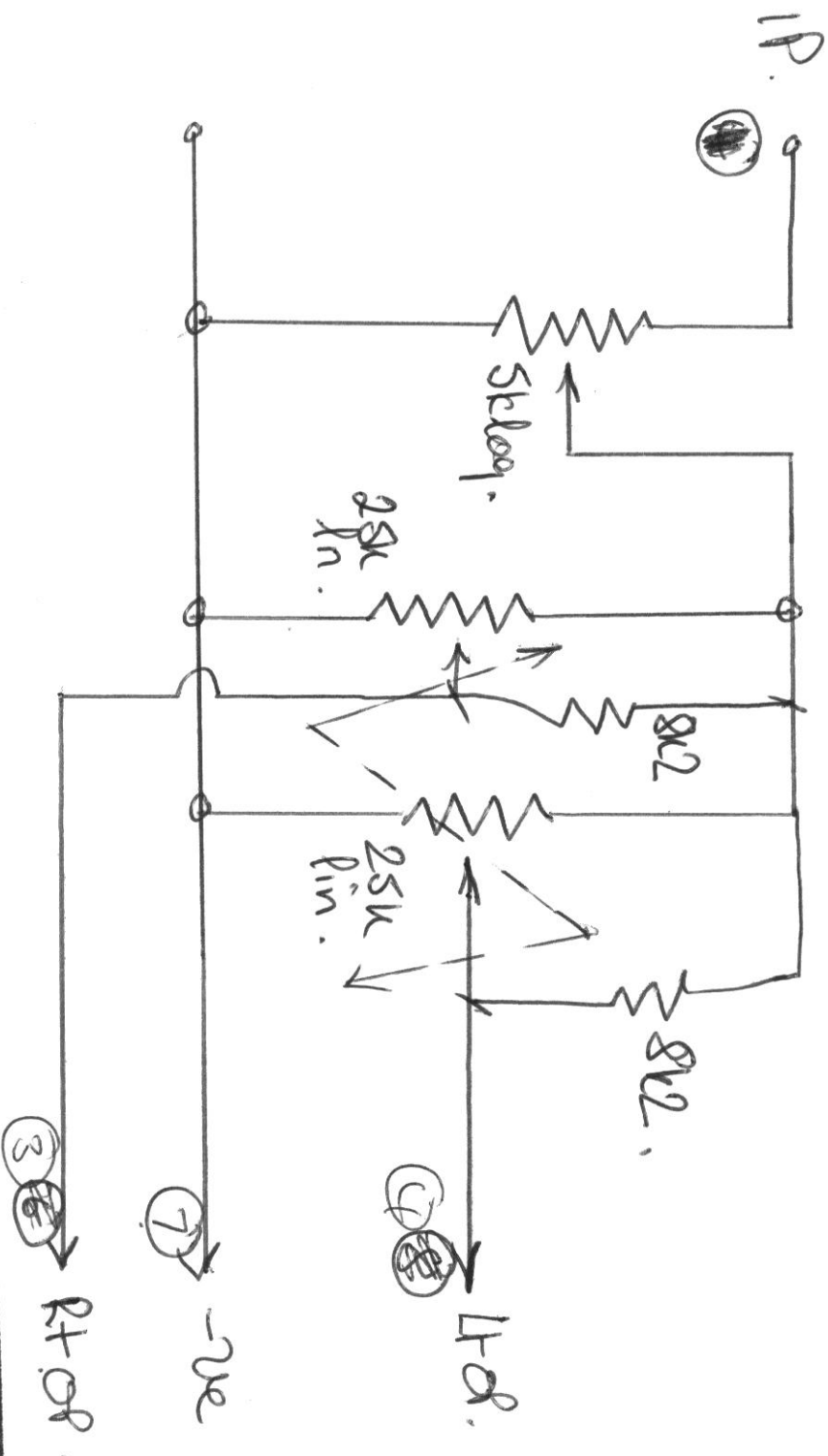


Allen and Heath Limited

Drummond House 203/209 North Gower Street
 London N W 1 Tel: 01-387 9611/01-267 0011

Mono MIX UNIT + AMP.

S/2/71.
 ATR 80g.



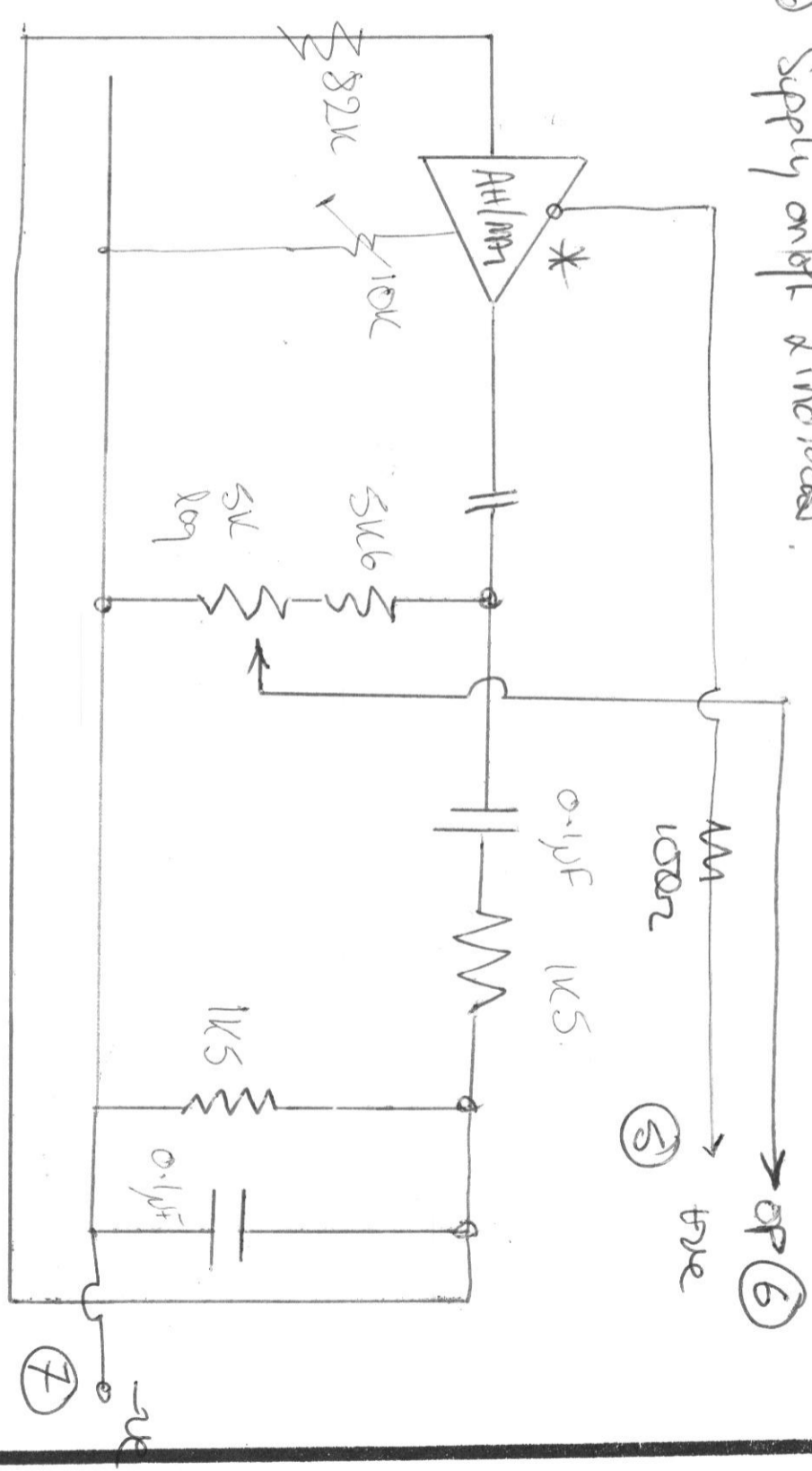
Allen and Heath Limited

Drummond House 203/209 North Gower Street
 London N W 1 Tel: 01-387 9611/01-267 0011

MON MIX UNIT.

S12/171.
 A5 R99.

* 250/6 Capacitor is replaced by 22 mF (approx) for space reasons.
 † Changed Supply on/off & indicators.



Allen and Heath Limited

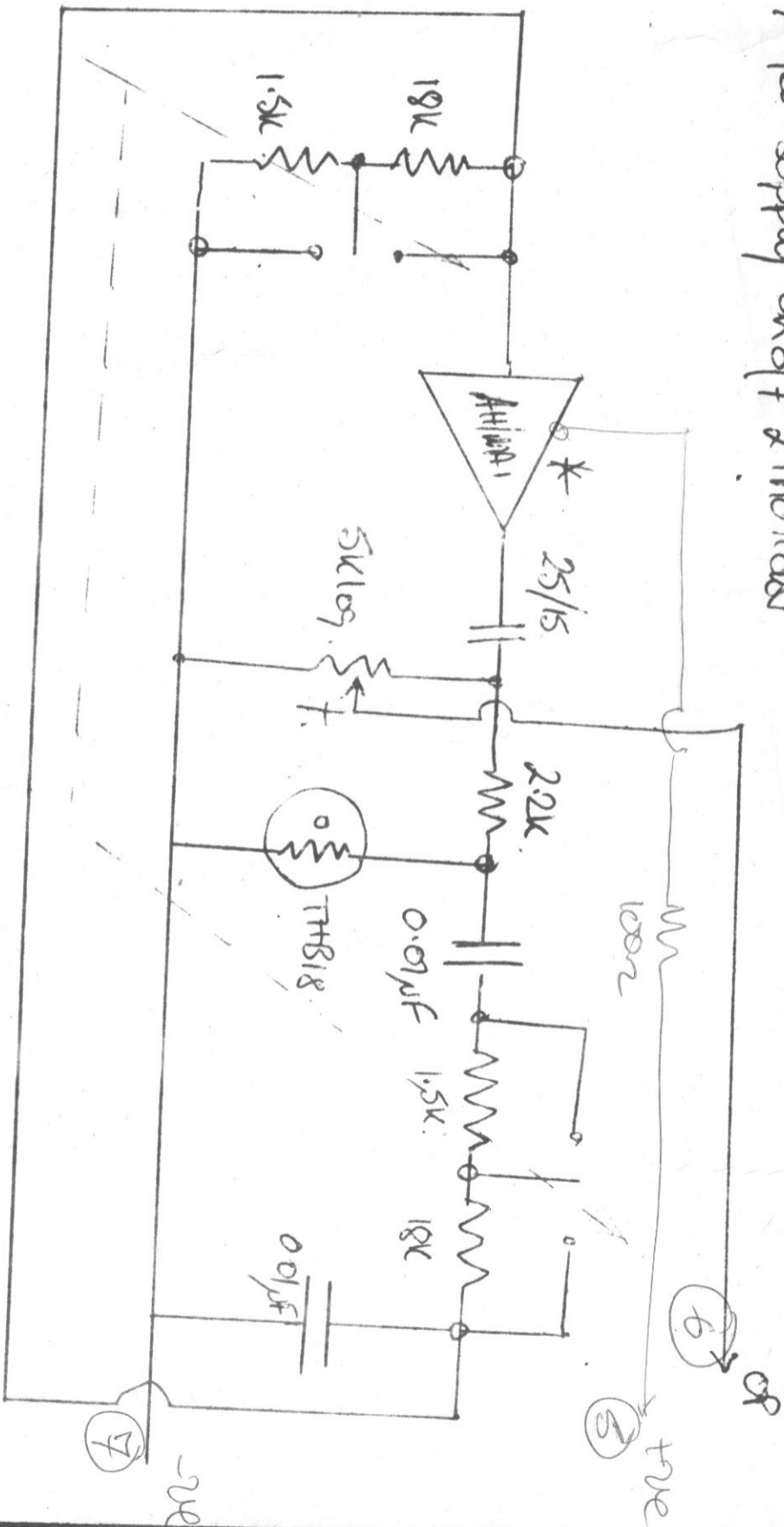
Drummond House 203/209 North Gower Street
 London N W 1 Tel: 01-387 9611 / 01-267 0011

FIXED F. OSCILLATOR. (≈ 1KHz)

12/8/50-

AKB-92-

* 250/6 Opexber is replaced by 22mF (approx) for space reasons.
 † changed supply on/off & indicators.



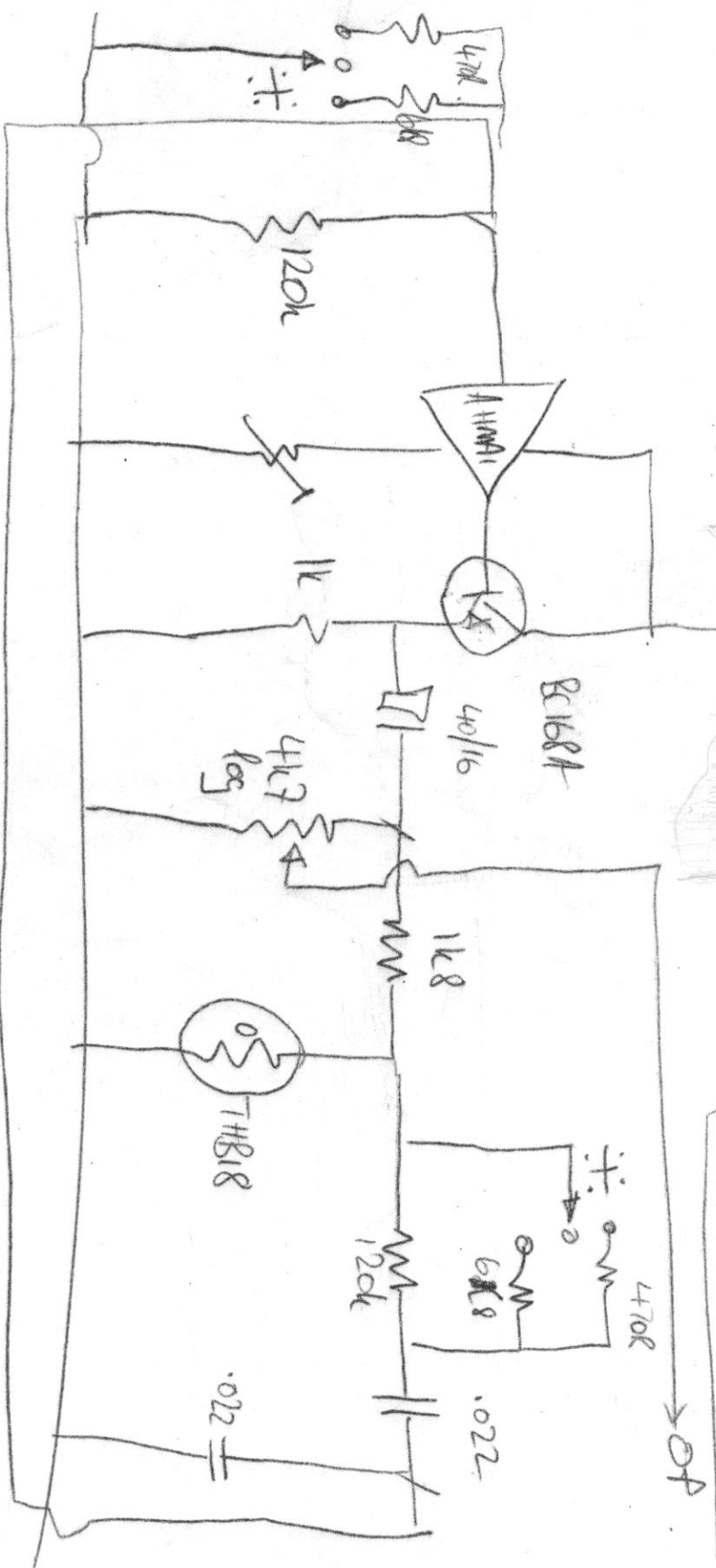
Allen and Heath Limited

Drummond House 203/209 North Gower Street
 London N W 1 Tel: 01-387 9611 / 01-267 0011

Two Frequency Oscillator

12/8/80
 K.R.P.

∴ GATED SWITCH
DRCO centre off



120k	+ 100H2
470R	- 10kH2
6k8	- 1kH2

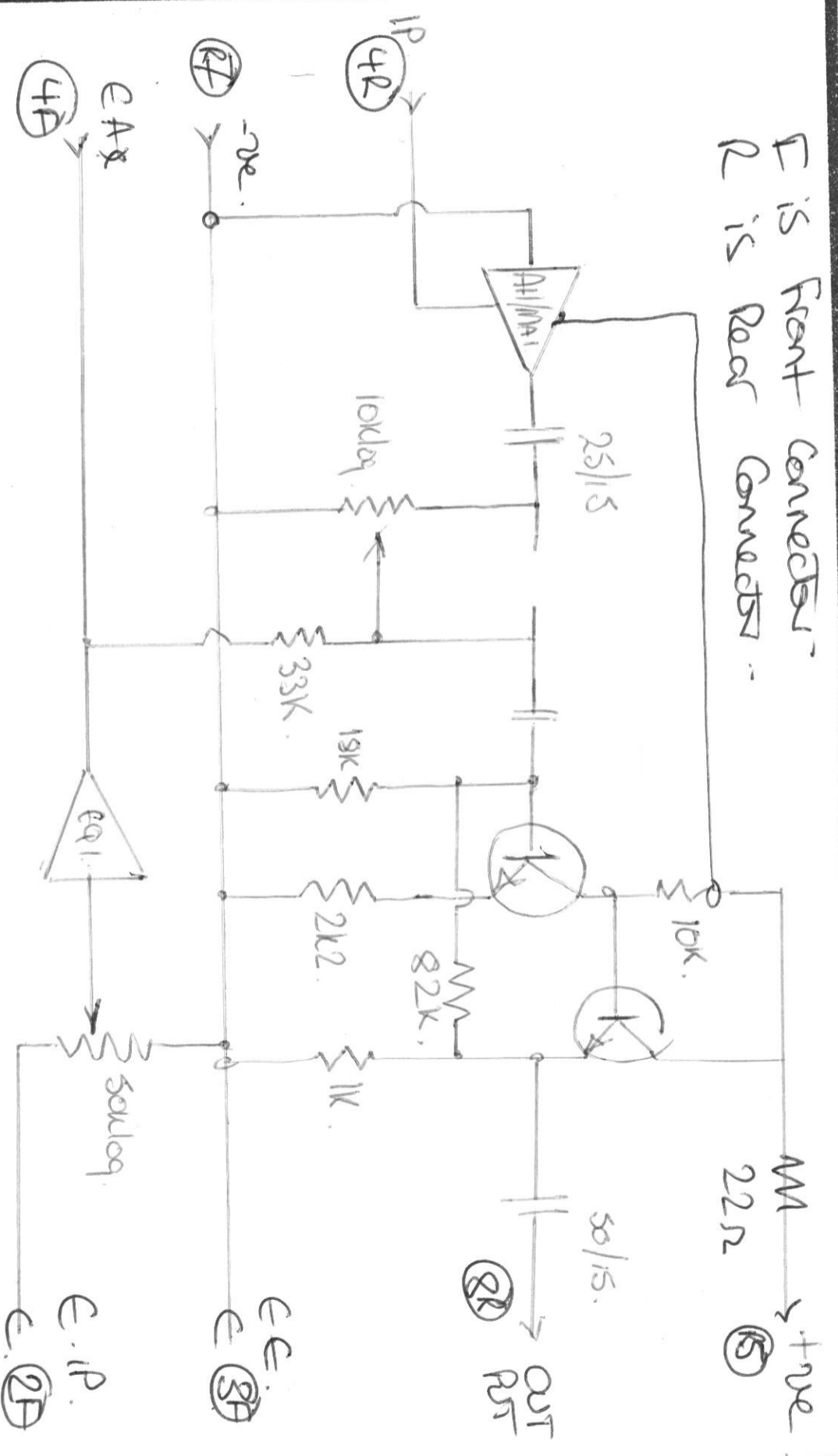
Allen and Heath Limited.

Pembroke House, Campsbourne Road,
London, N8, 7BR. Tel: 01-340-3291.

3 REARBY OSC.

12.12.72

F is Front Connectors
 R is Rear Connectors



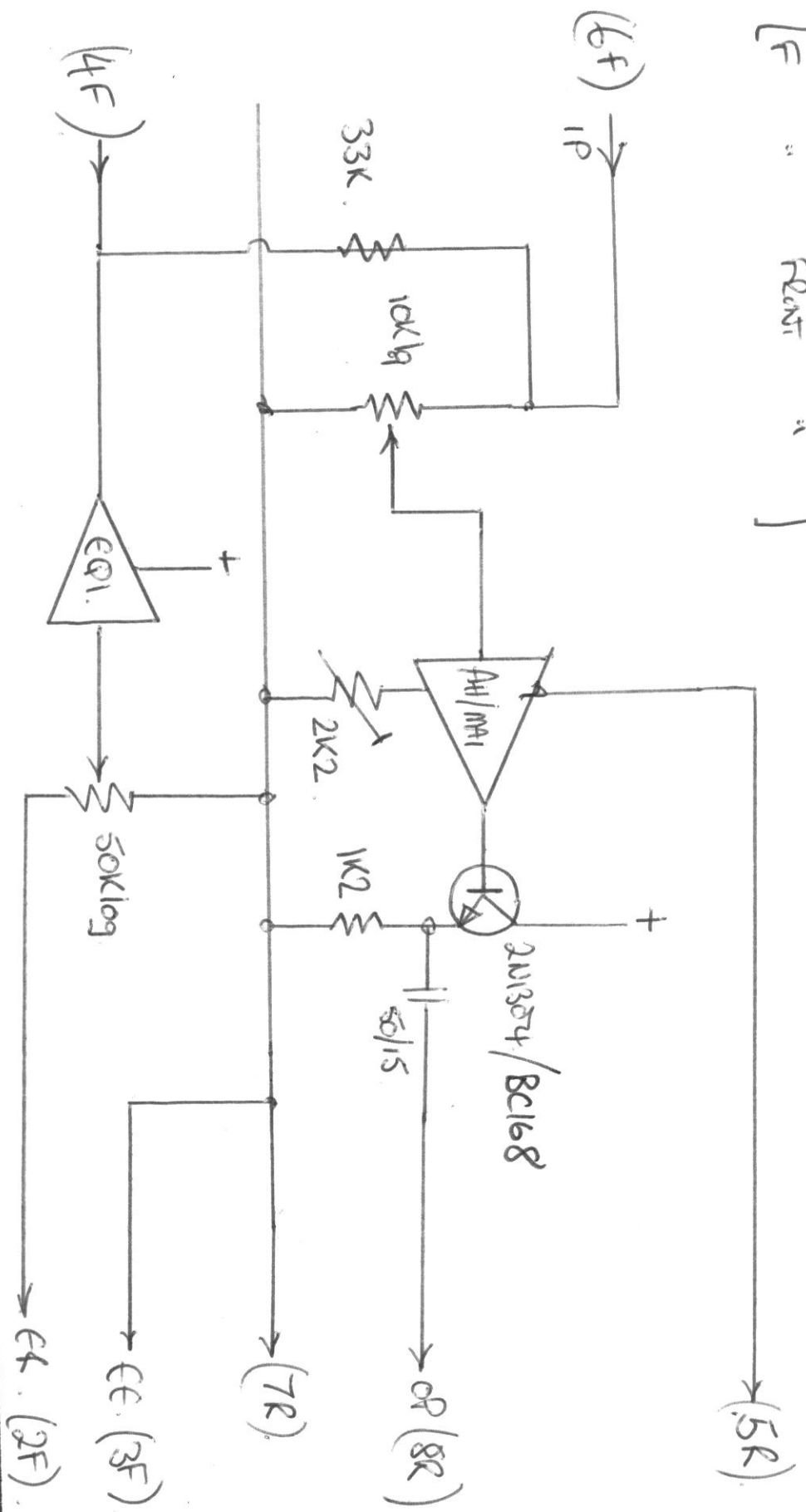
Allen and Heath Limited

Drummond House 203/209 North Gower Street
 London N W 1 Tel: 01-387 9611/01-267 0011

OUTPUT CHANNEL A/B (ACTIVE)

A T 840276
 14/10/76

$\left[\begin{array}{l} R \text{ DEVIATES REAR CONNECTOR} \\ F \text{ " " FRONT " " } \end{array} \right]$



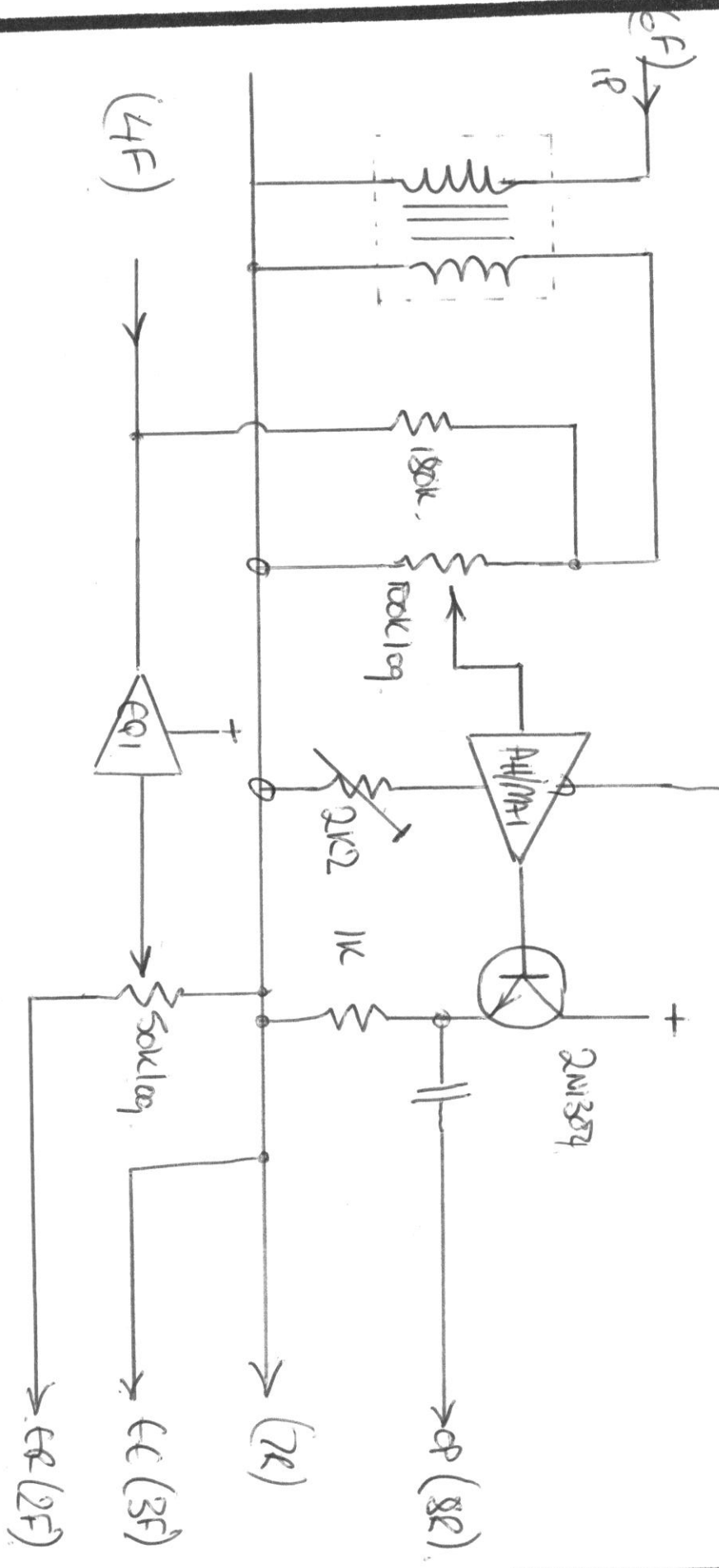
Allen and Heath Limited

Drummond House 203/209 North Gower Street
 London N W 1 Tel: 01-387 9611/01-267 0011

OUTPUT CHANNEL A/2. (PASSIVE)

A J Boyle
 14/10/70

(R DEVICES QIAR CONVERTER)
(F DEVICES FEAT CONVERTER)

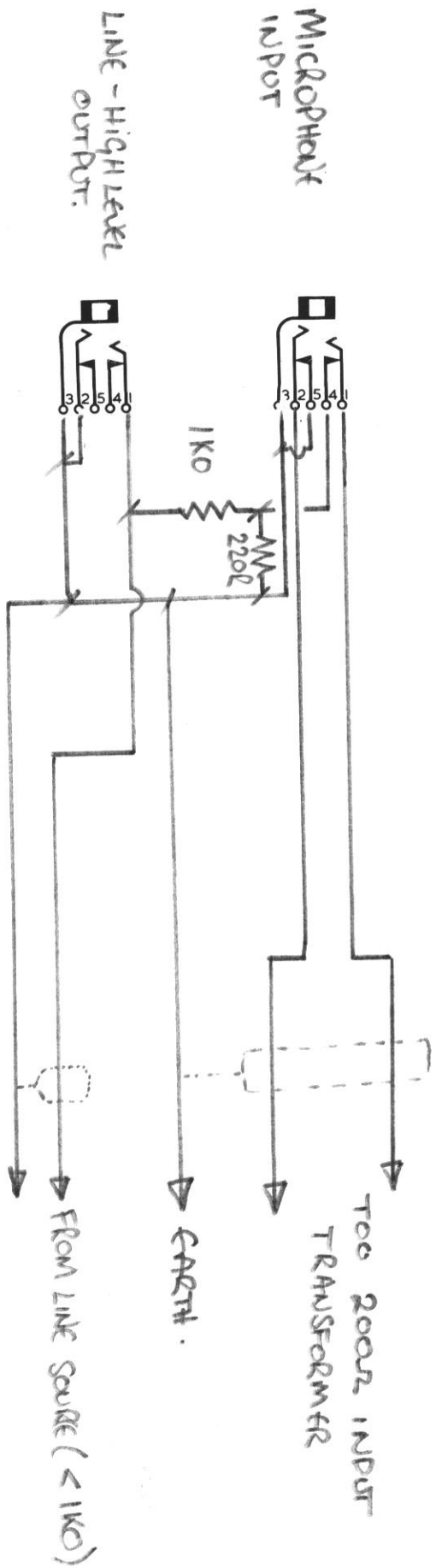


Allen and Heath Limited

Drummond House 203/209 North Gower Street
London N W 1 Tel: 01-387 9611 / 01-267 0011

OUTPUT CHANNEL A/2A (PASSIVE)

45 8409
3/11/70



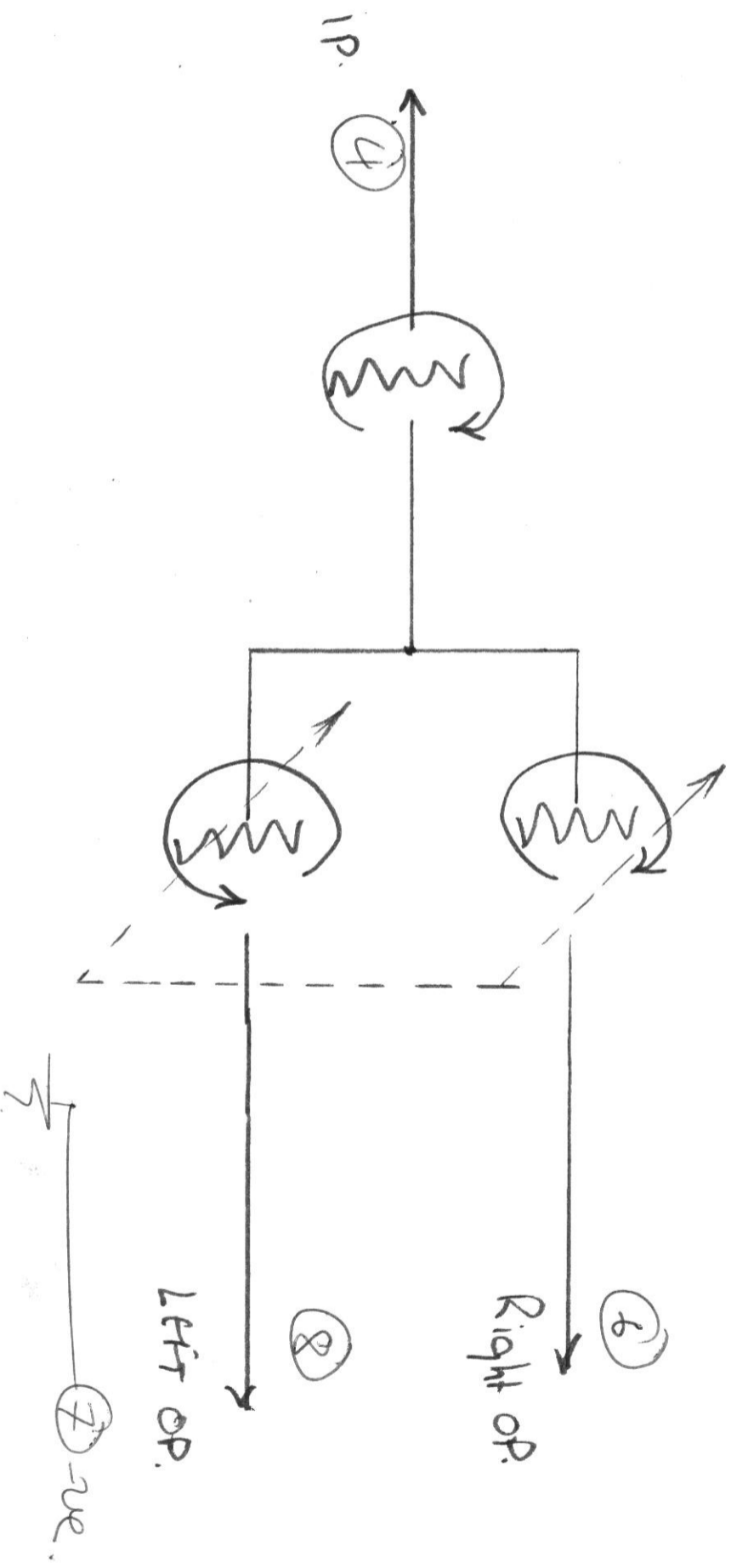
LINE TO MIC INPUT CONNECTION
 HIGH LEVEL INPUT NORMALLY CONNECTED TO LO-2 INPUT.
 INSERTION OF JACK IN MIC SOCKET DISCONNECTS LINE INPUT & LOADING.

Allen and Heath Limited

Drummond House 203/209 North Gower Street
 London N W 1 Tel: 01-387 9611/01-267 0011

PAD CONNECTION - LINE TO MIC SOCKET.

12.1.71.
 A F. BAKER.



Allen and Heath Limited

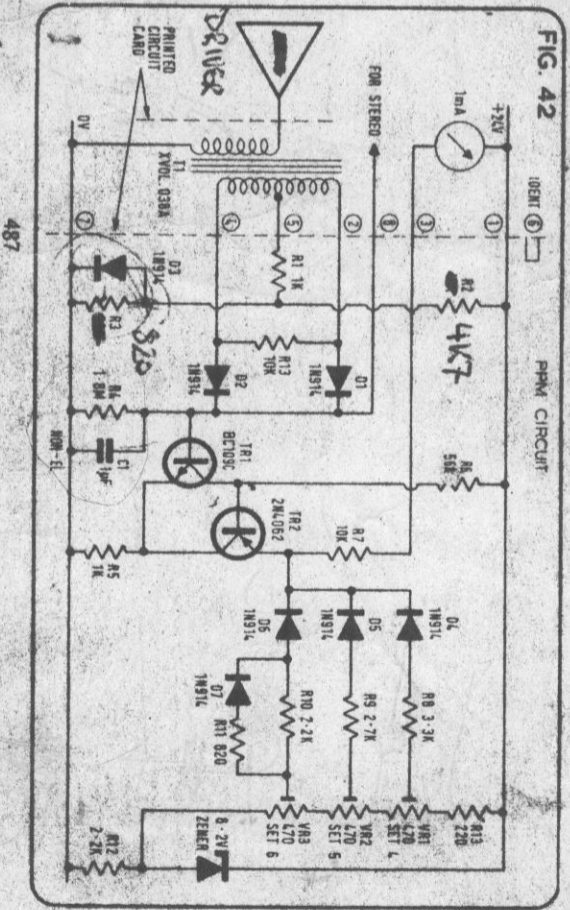
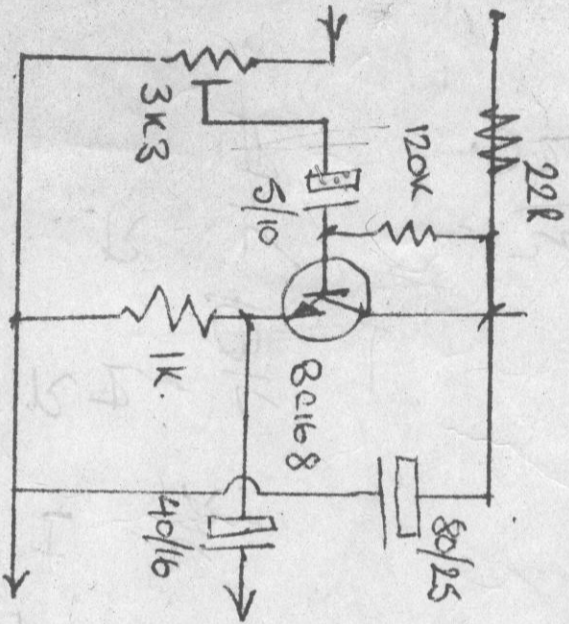
Drummond House 203/209 North Gower Street
 London N W 1 Tel: 01-387 9611 / 01-267 0011

PAU MONITOR COUPLER.

12/5/70.
 Art Bagg

REVERSE
CAN.

DRIVER ON P.C. BOARD



33

Allen and Heath Limited

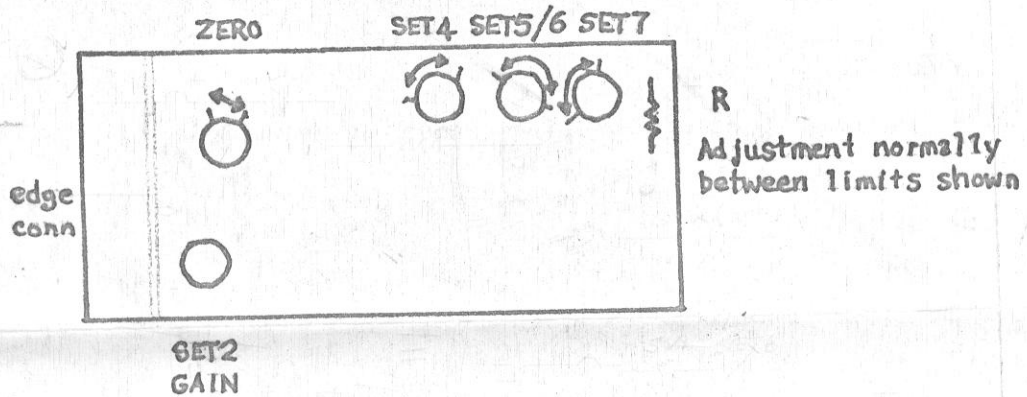
Drummond House 203/209 North Gower Street

London N W 1 Tel: 01-387 9611 / 01-267 0011

PEAK PROGRAMME METER CIRCUIT.

28.11.71

A.J. BERRY



Alignment Instructions for PPM

Check meter mechanical zero is set correctly.

During alignment keep circuit board protected from draughts. Ambient temperature 17-20°C.

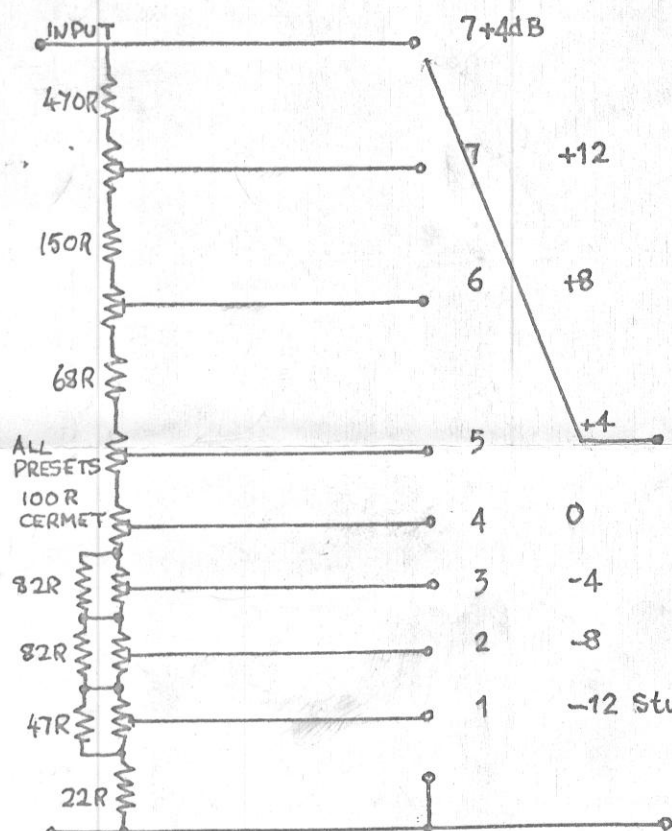
Switch on circuit and set ZERO

Apply PPM2 level and adjust SET2 pot.

Apply PPM4 level and adjust SET4 pot.

Apply PPM7 level and adjust SET7 pot.

Apply PPM5 level and adjust SET5 pot.



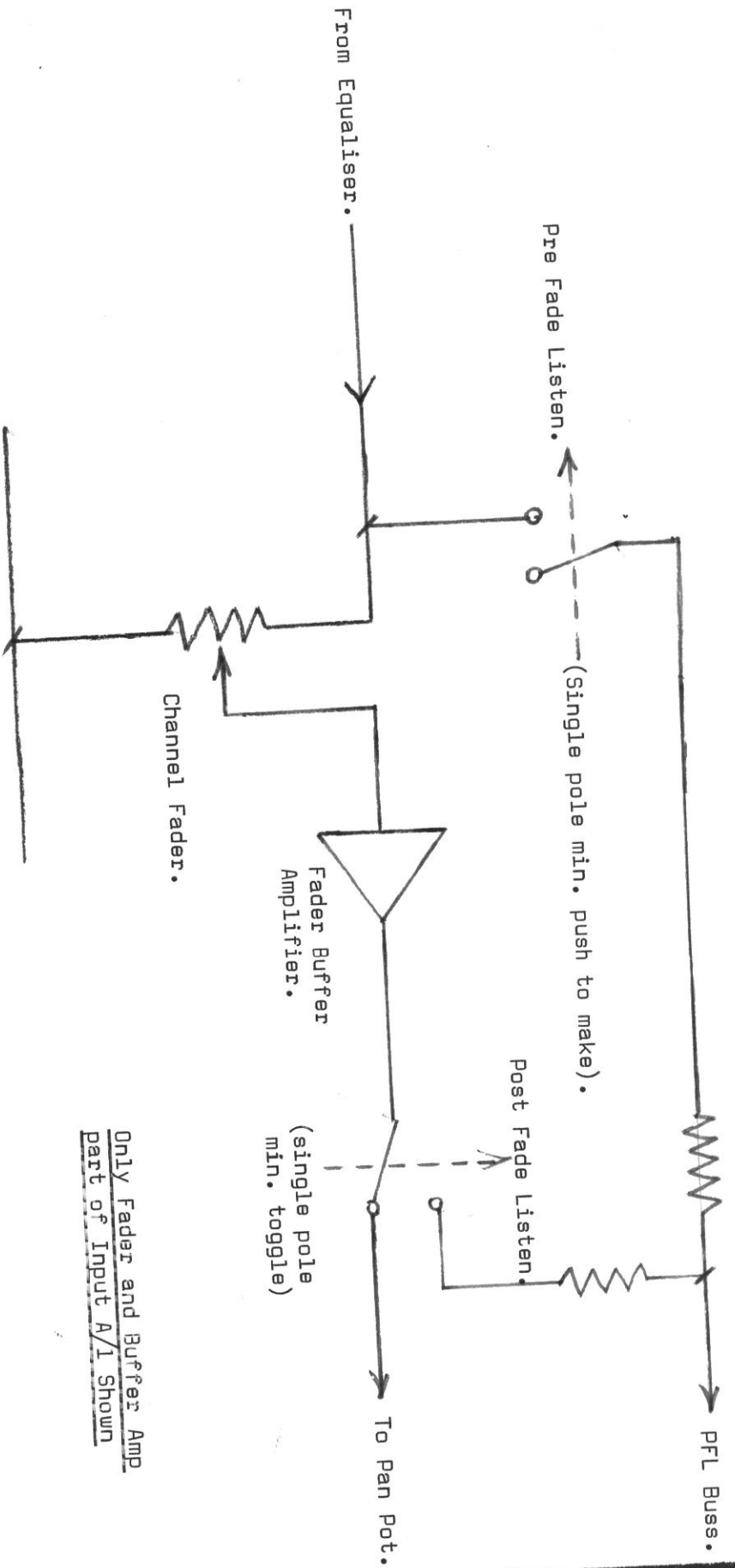
Check zero and repeat above. All points 2-7 should align within a pointer's width.

If meters are mounted close together, on steel panels or close to large ferrous objects a resistor in the feedback circuit, R, may be changed (reduced) to allow correct scaling.

To determine the 4dB steps use a precision meter as the scale linearity of some common rectifier millivoltmeters is often no closer than 0.5dB.

-12 Studio line levels in 600 ohm balanced, dBm.

CIRCUIT FOR PROVIDING 8 SWITCHED 4dB STEPS



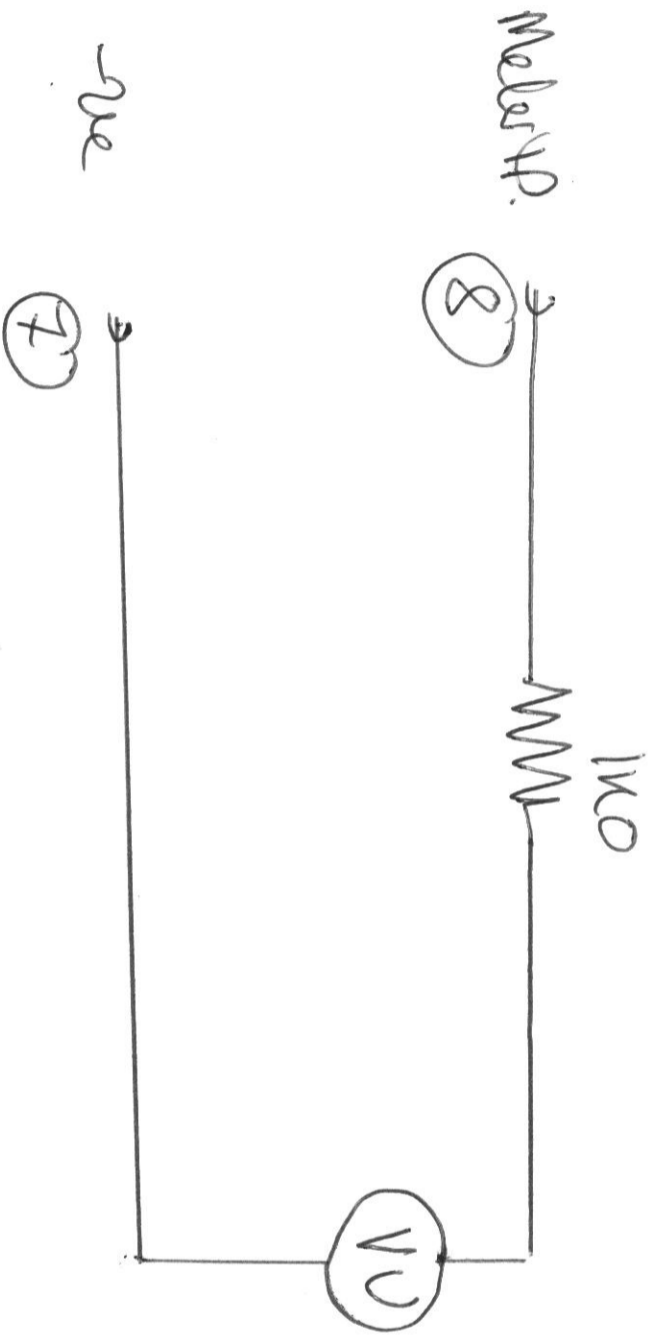
Only Fader and Buffer Amp part of Input A/I Shown

Allen and Heath Limited

Drummond House 203/209 North Gower Street
 London N W 1 Tel: 01-387 9611/01-267 0011

PRE FADE AND POST FADE LISTEN FACILITY ON A/I INPUT.

8.3.72.

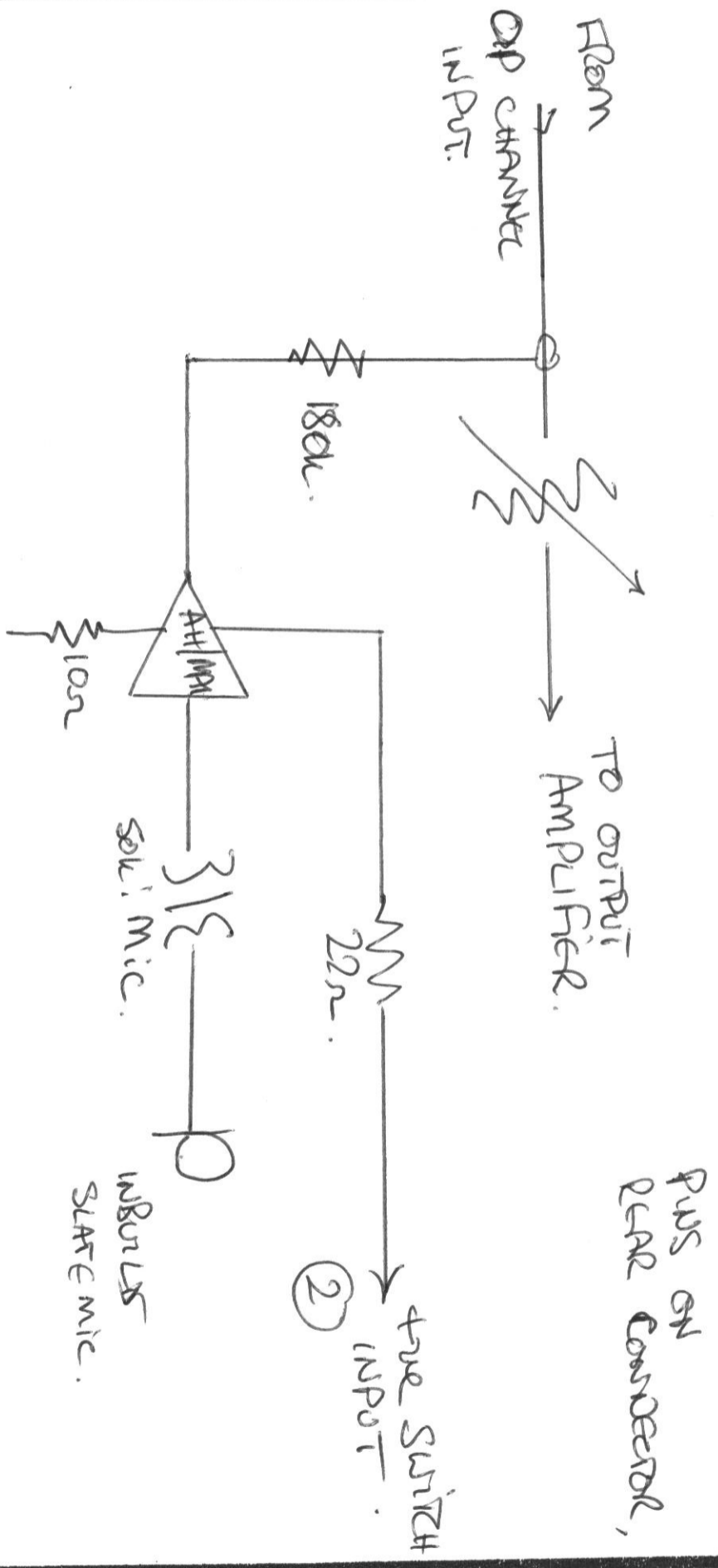


Allen and Heath Limited

Drummond House 203/209 North Gower Street
 London N W 1 Tel: 01-387 9611/01-267 0011

SINGLE VU METER.

S12177
 ATR
 Bep

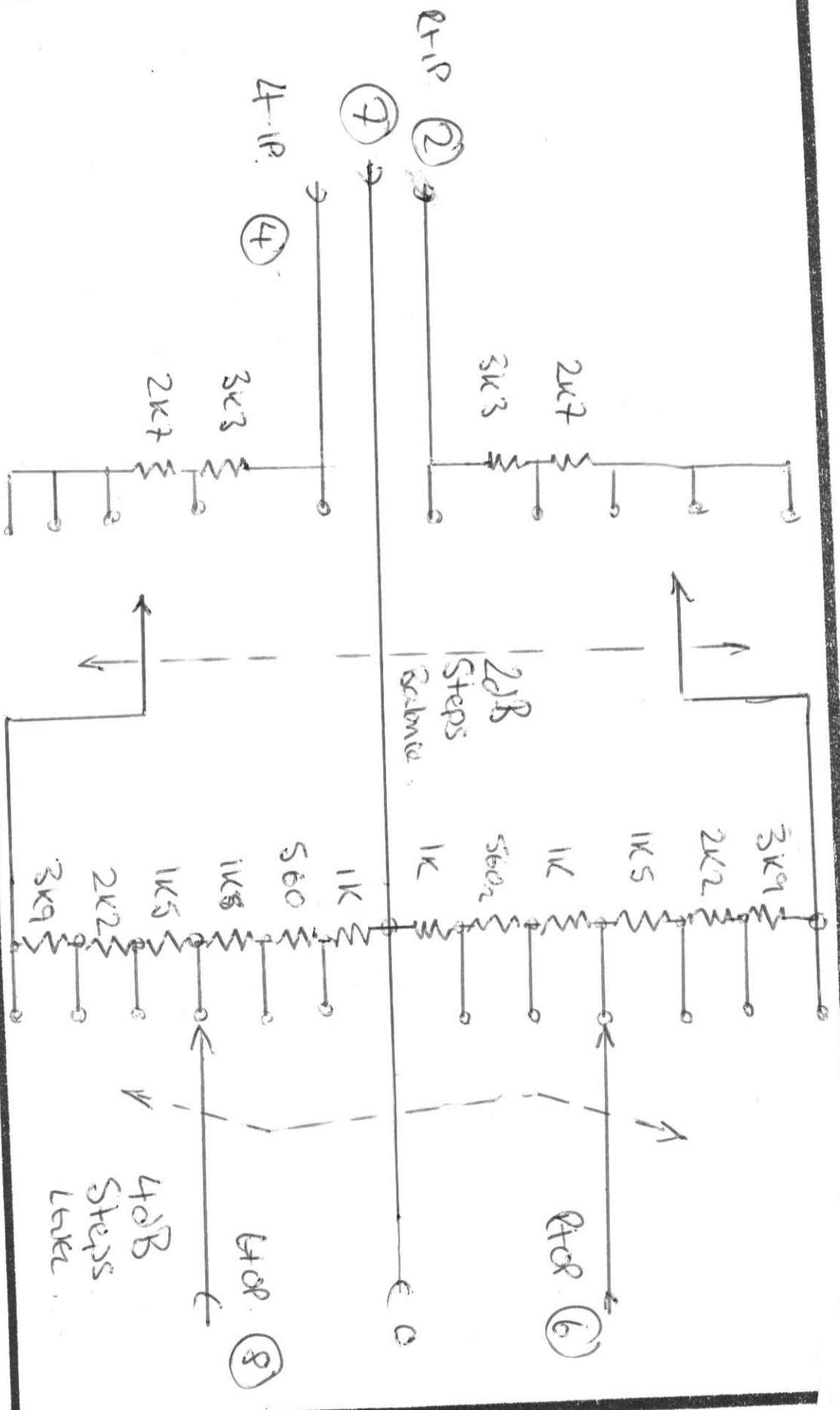


Allen and Heath Limited

Drummond House 203/209 North Gower Street
 London N W 1 Tel: 01-387 9611/01-267 0011

SLATE mic w. O.P.

5/2/74.
 ASB

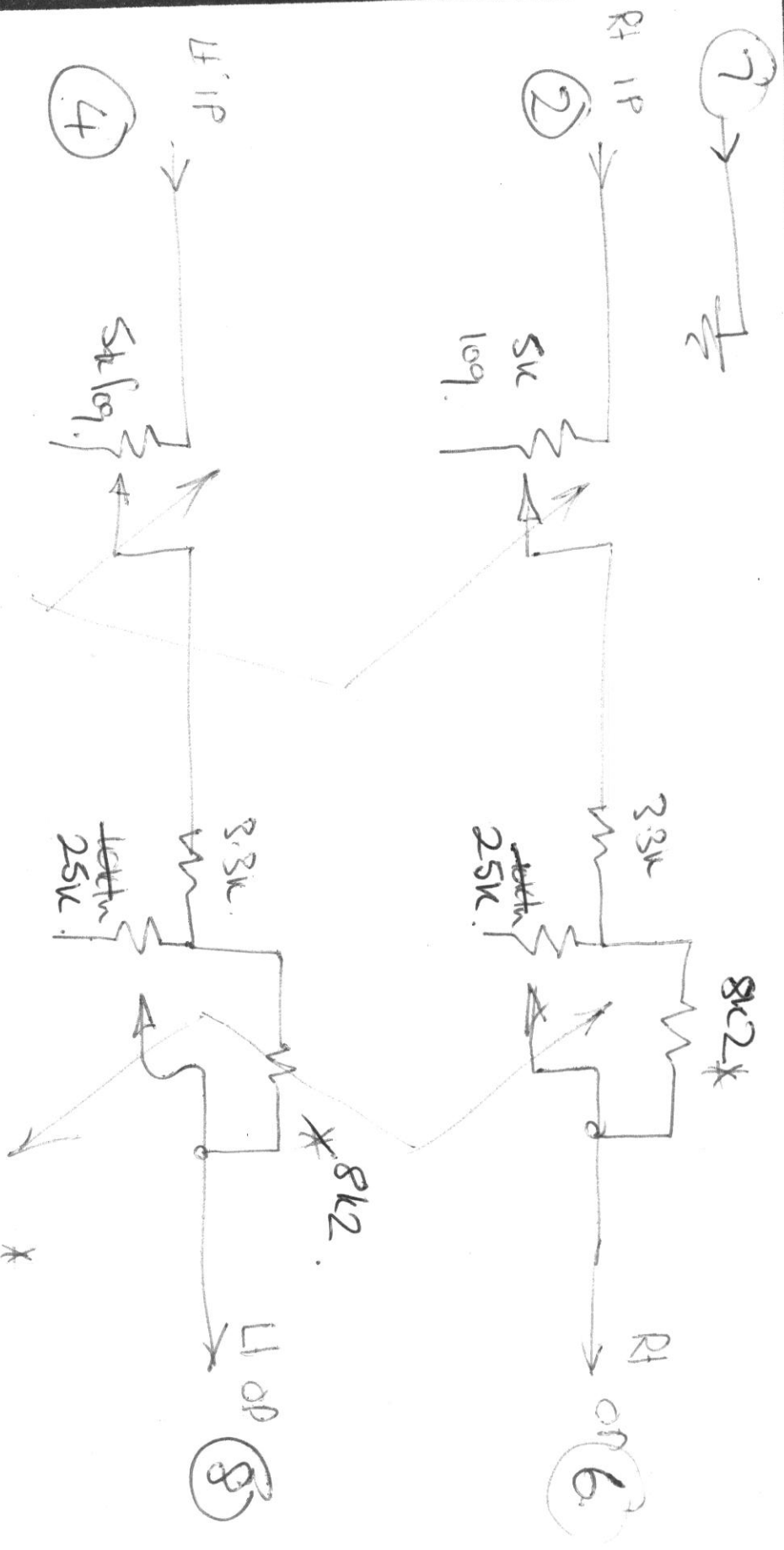


Allen and Heath Limited

Drummond House 203/209 North Gower Street
 London N W 1 Tel: 01-387 9611/01-267 0011

STEPPED STEREO MONITOR

14/12/72
 ATR



Gain in centre - depends on impedance fed.
 Select for 30b

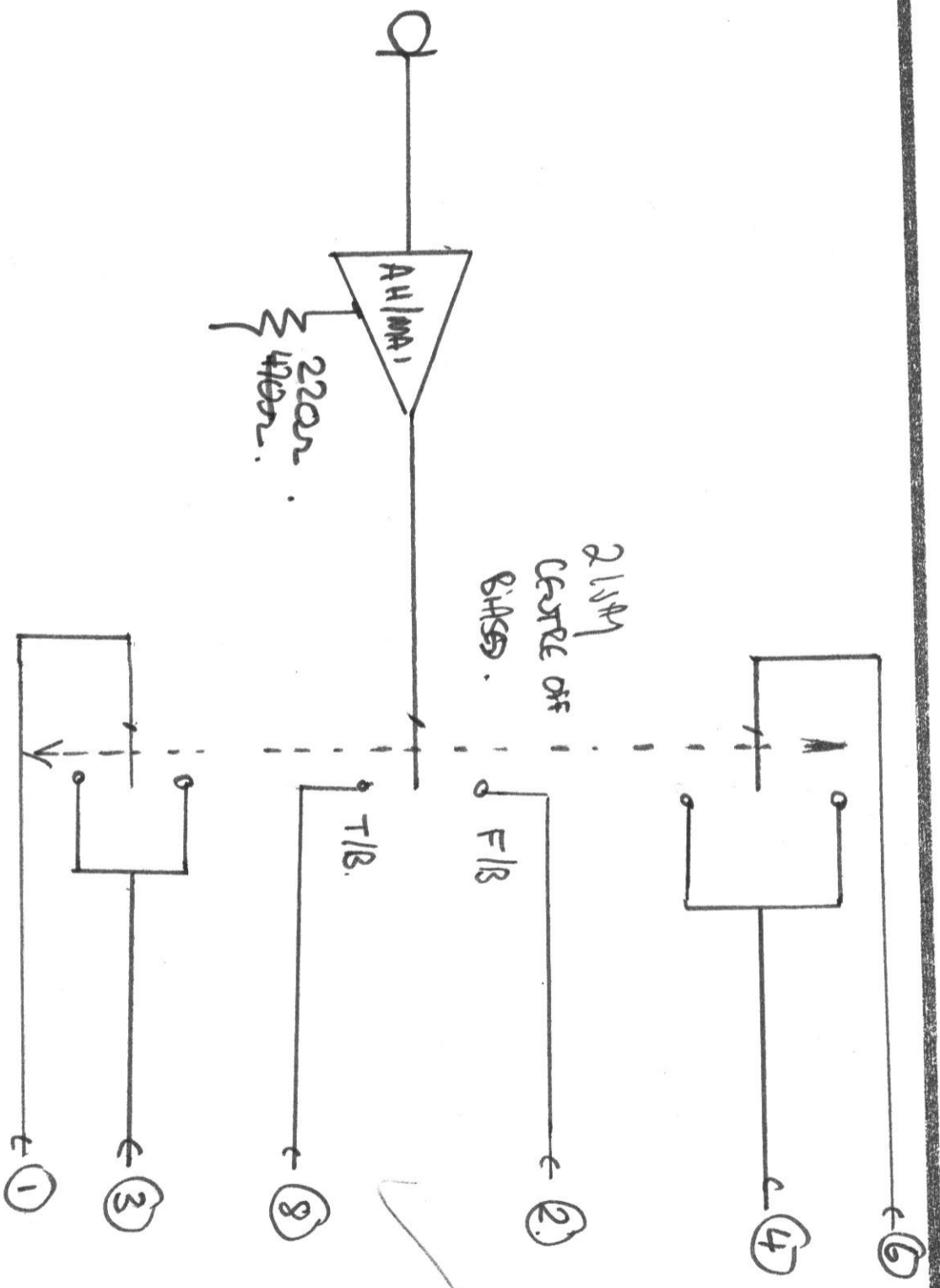
Allen and Heath Limited

Drummond House 203/209 North Gower Street
 London N W 1 Tel: 01-387 9611/01-267 0011

STEREO MONITOR

12/57b
 ATB/ye

'EAGLE'
DM22
(50K).



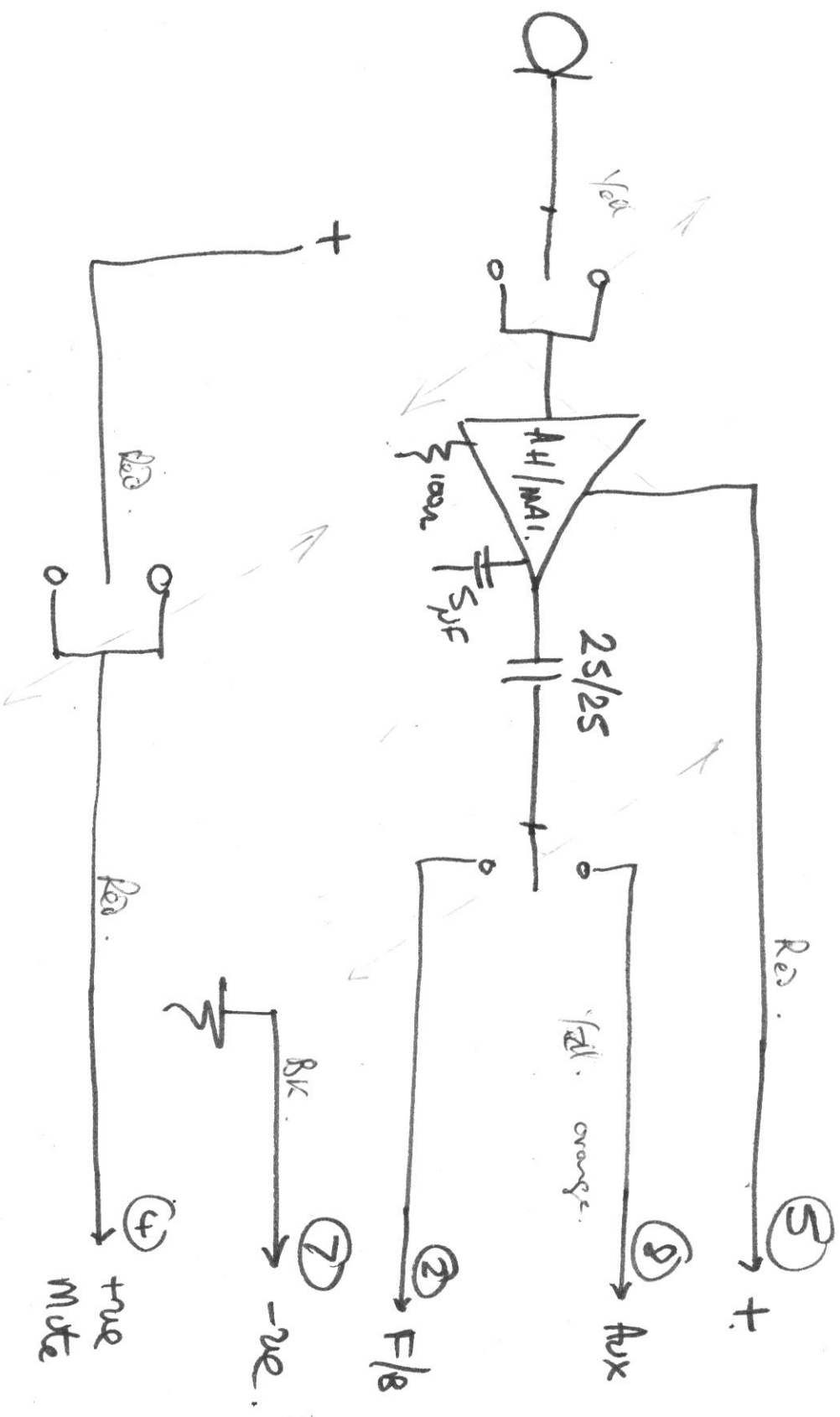
Allen and Heath Limited

Drummond House 203/209 North Gower Street
London N W 1 Tel: 01-387 9611 / 01-267 0011

TALKBACK UNIT.

1S110/b
A.1.B.9a

TB module
2



Allen and Heath Limited

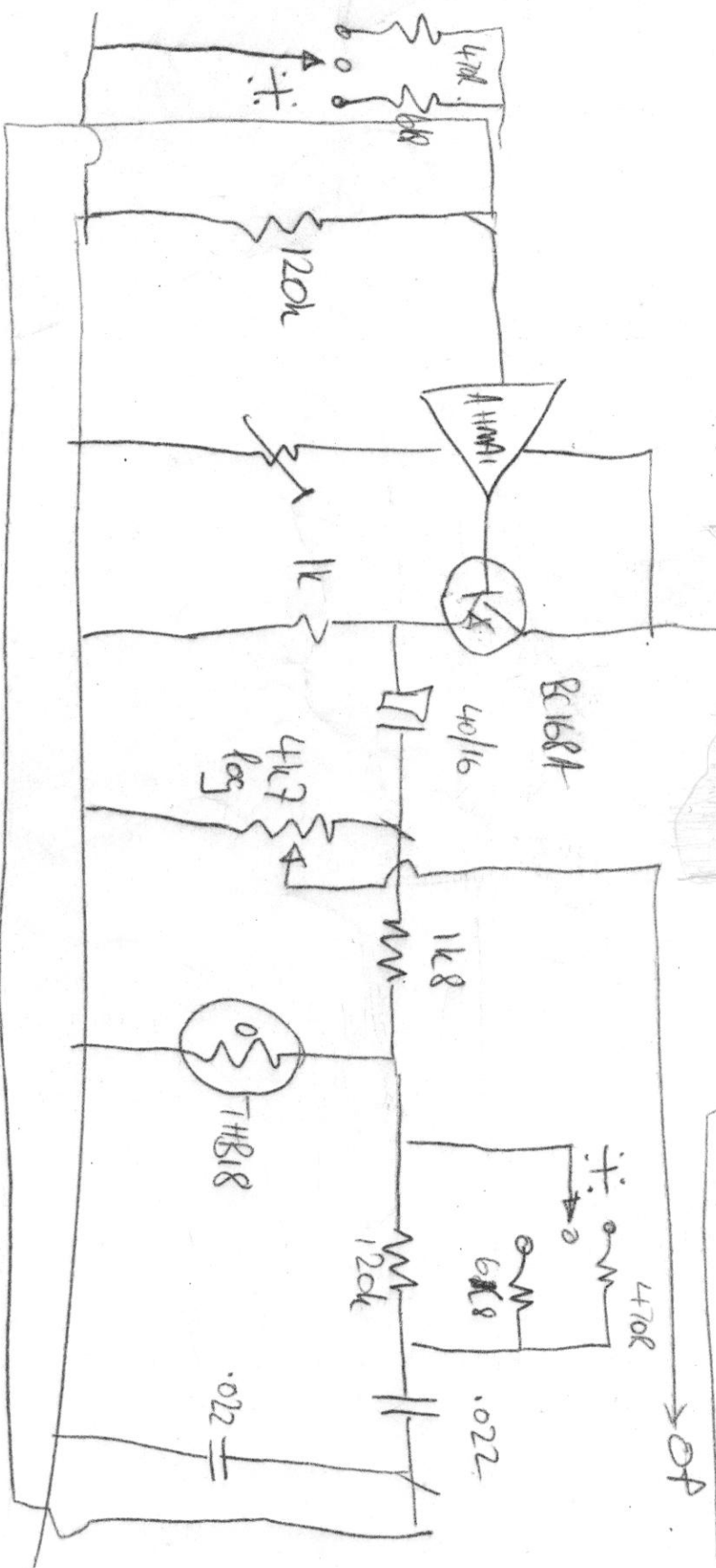
Drummond House 203/209 North Gower Street
 London N W 1 Tel: 01-387 9611/01-267 0011

TALK BACK unit

24/10/70
 A.J. Baya

TALK BACK MODULE 1

∴ GATED SWITCH
DRCO centre off



120k	+ 100Hz
470R	— 10kH2
6k8	— 1kH2

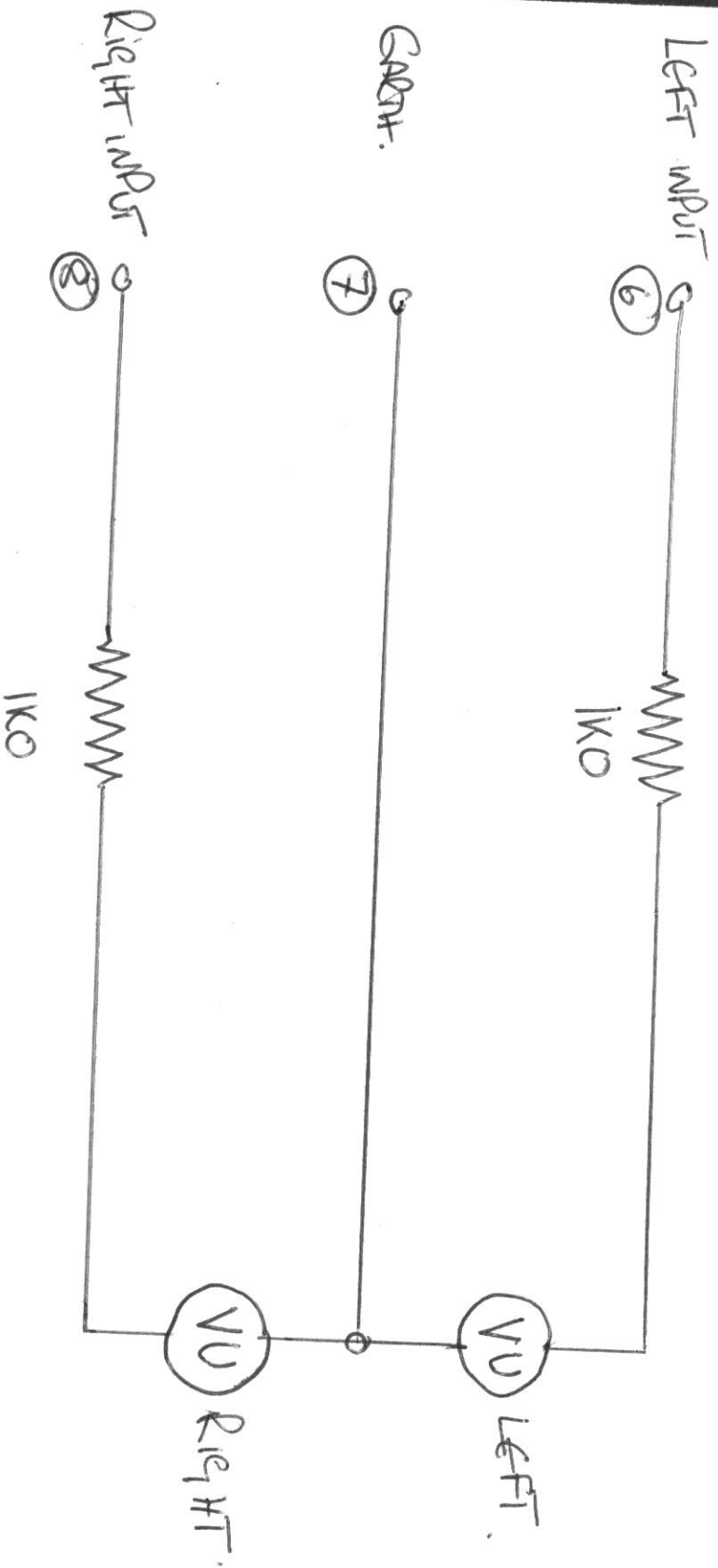
Allen and Heath Limited.

Pembroke House, Campsbourne Road,
London, N8, 7BR. Tel: 01-340-3291.

3 REAR ONLY OSC.

12.12.72

SET FOR. 0VU = 0dBm.



Allen and Heath Limited

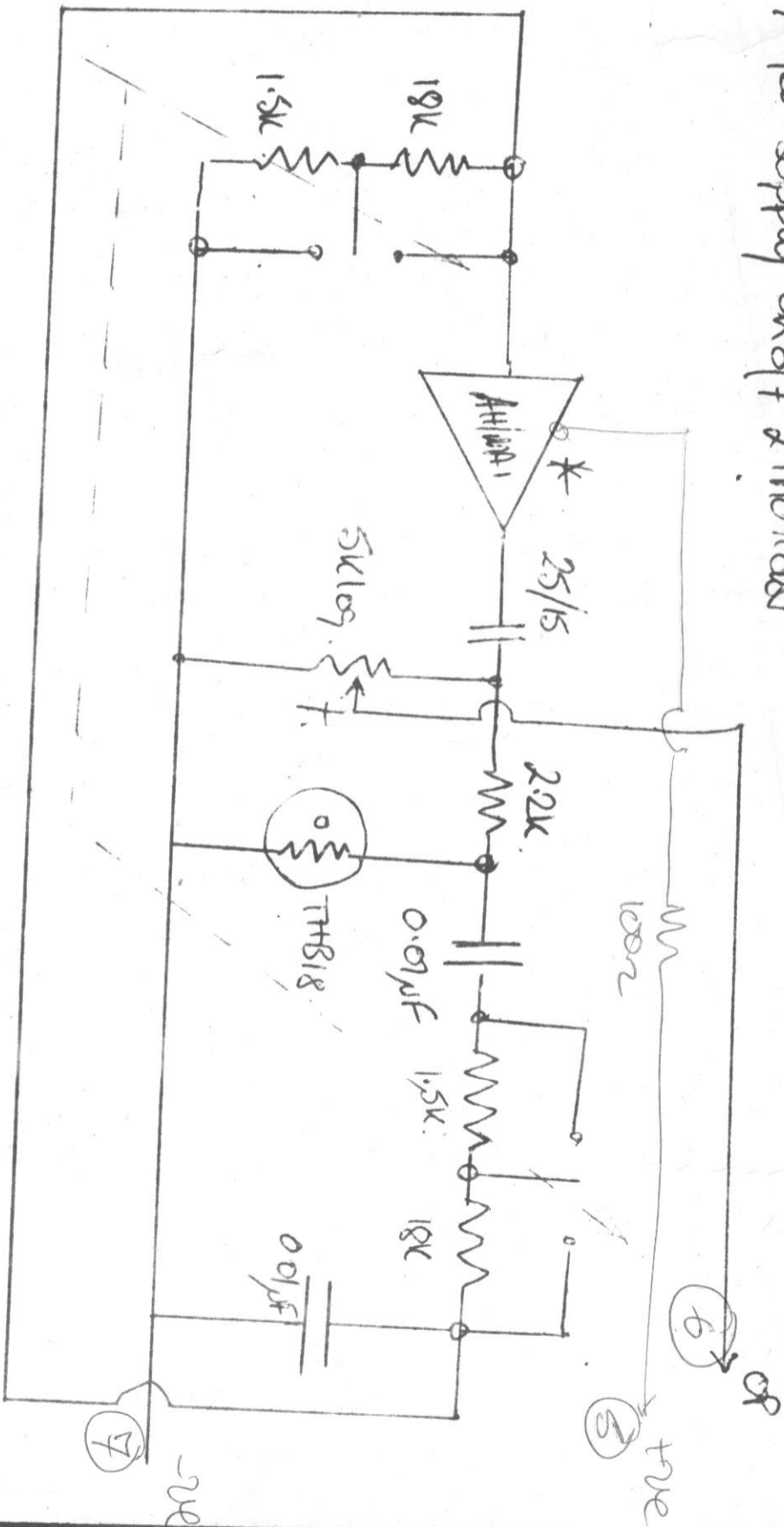
Drummond House 203/209 North Gower Street

London N W 1 Tel: 01-387 9611 / 01-267 0011

TWIN VU METER UNIT.

5/2/71

* 250/6 Opexber is replaced by 22mF (approx) for space reasons.
 † changed supply on/off & indicators.

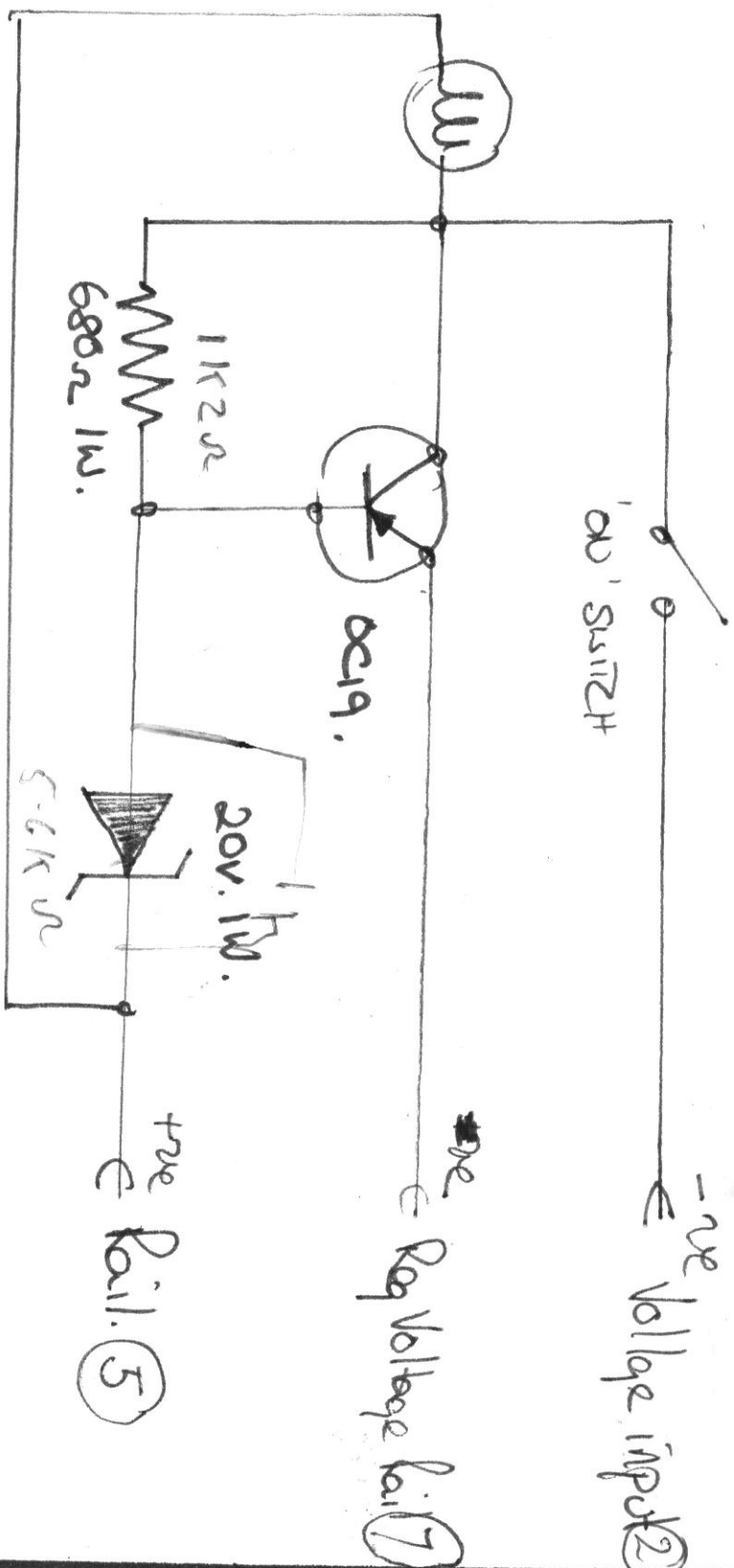


Allen and Heath Limited

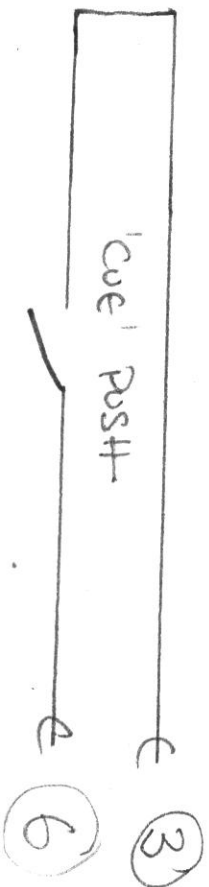
Drummond House 203/209 North Gower Street
 London N W 1 Tel: 01-387 9611 / 01-267 0011

Two Frequency Oscillator

12/8/60
 K.R.P.



Note: All pin numbers are reading right to left looking at side module.



Allen and Heath Limited

Drummond House 203/209 North Gower Street
London N W 1 Tel: 01-387 9611 / 01-267 0011

VOLTAGE STABILISOR

8/1 (negative)

22/6/70
At Rega