

# ALLEN & HEATH



## **WARNING – HIGH VOLTAGES**

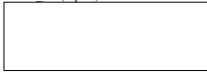
Power Supply Unit (PSU) work should only be carried out by qualified personnel.

We recommend that you use an approved Allen & Heath service centre for all power supply work.

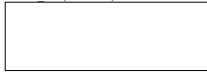
Please contact your local Allen & Heath distributor for more details.

<http://www.allen-heath.com/>

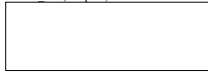
C4497\_5  
C4497\_5.2 (Inputs).Sch



C4497\_5  
C4497\_5.2 (Links etc).sch



C4497\_5  
C4497\_5.2 (Outputs).Sch



C4497\_5  
C4497\_5.2 (PSU).Sch

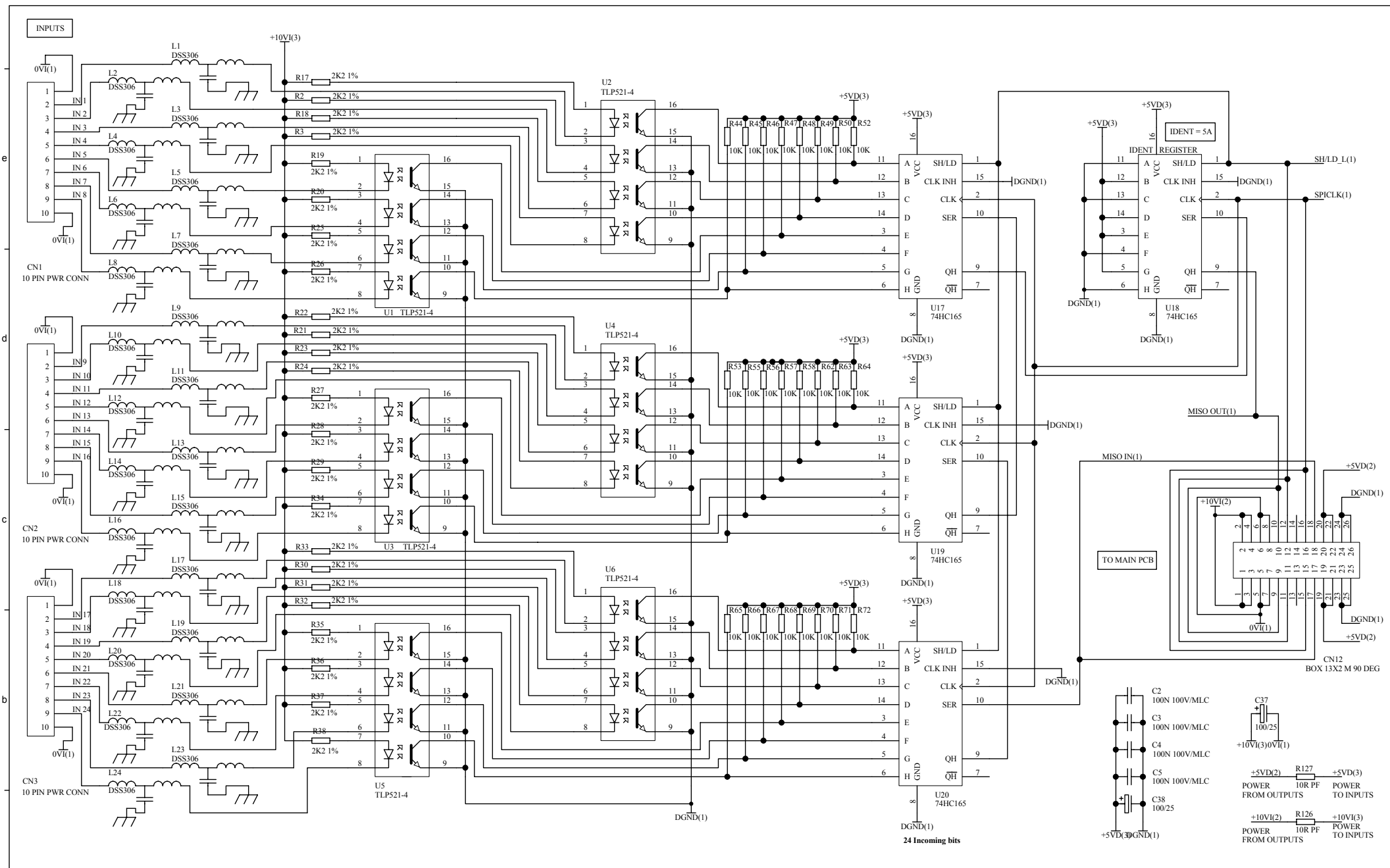


ISSUE	BY	DATE
A	RH	08/01
B	RH	1/10/01
1	JB	(psu mods)26-11-01
2	ST JB	03-01-02
3	JB	29-07-02
4	JB	5/9/02
5	IMcB	26/9/02
5.1 (cct only)	JB	14-05-09
5.2	AAT	

FILE: C4497_5.2.Sch	PRINTED: 14:39:10 13-May-2009
---------------------	-------------------------------

TITLE: DR SWITCH	DRG No: AG4497	ISSUE: 5.2	SHEET: 1 OF 5	A3
------------------	----------------	------------	---------------	----

**ALLEN&HEATH**  
 Kernick Industrial Estate,  
 Penryn, Cornwall,  
 England. TR10 9LU  
 Tel: +44 (0)8707 556250  
 Fax: +44 (0)8707 556251



ISSUE	BY	DATE
A	RH	08/01
B	RH	1/10/01
1	JB	(psu mods)26-11-01
2	ST JB	
3	JB	03-01-02
4	JB	29-07-02
5	IMeB	5/9/02
5.1	JB	26/9/02
5.2	AAT	14-05-09

FILE: C4497\_5.2 (Inputs).Sch  
 PRINTED: 14:39:10 13-May-2009

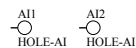
TITLE: DR SWITCH INPUTS  
 PAGE:  
 DRG No: AG4497  
 ISSUE: 5.2  
 SHEET: 3 OF 5  
 A3

**ALLEN&HEATH**  
 Kernick Industrial Estate,  
 Penryn, Cornwall,  
 England. TR10 9LU  
 Tel: +44 (0)8707 556250  
 Fax: +44 (0)8707 556251

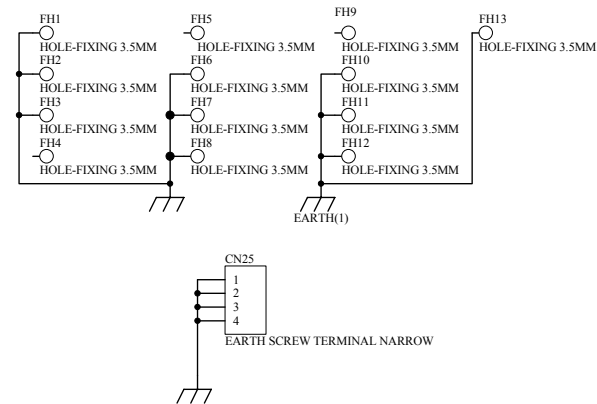
**TC LINKS**



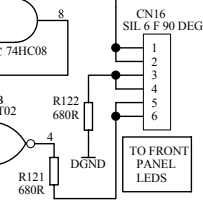
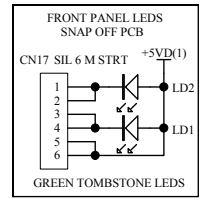
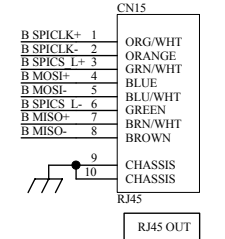
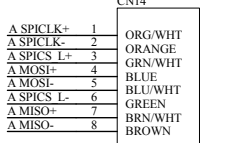
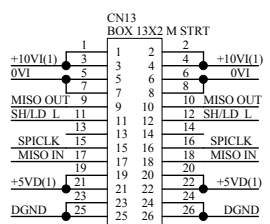
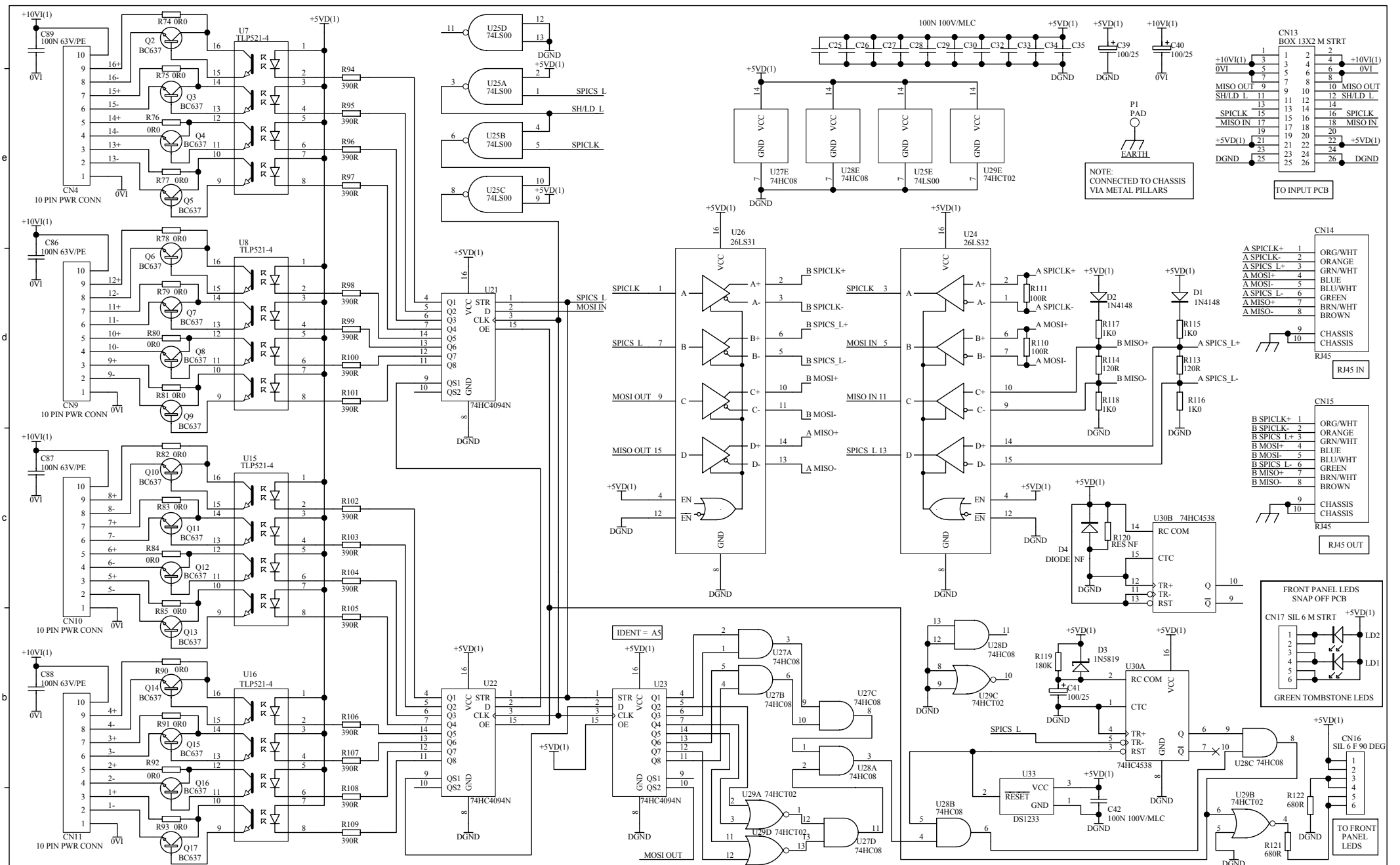
**AI HOLES**



**FIXING HOLES**



ISSUE	BY	DATE			TITLE: DR SWITCH	<b>ALLEN&amp;HEATH</b> Kernick Industrial Estate, Penryn, Cornwall, England. TR10 9LU Tel: +44 (0)8707 556250 Fax: +44 (0)8707 556251			
A	RH				PAGE: LINKS, FIXINGS AND AI HOLES				
B	RH	08/01			DRG No: AG4497	ISSUE: 5.2	SHEET: 5 OF 5	A3	
1	JB	1/10/01			PRINTED: 14:39:10 13-May-2009				
2	ST JB	(psu mods)26-11-01							
3	JB	03-01-02							
4	JB	29-07-02							
5	IMcB	5/9/02							
5-1cct only	JB	26/9/02							
5.2	AAT	14-05-09	FILE: C4497_5.2 (Links etc).sch						



ISSUE	BY	DATE
A	RH	
B	RH	08/01
1	JB	1/10/01
2	ST JB	(psu mods)26-11-01
3	JB	03-01-02
4	JB	29-07-02
5	IMcB	5/9/02
5.1	JB	26/9/02
5.2	AAT	14-05-09

FILE: C4497\_5.2 (Outputs).Sch

PRINTED: 14:39:10 13-May-2009

TITLE: DR SWITCH OUTPUTS

PAGE:

DRG No: AG4497

ISSUE: 5.2

SHEET: 4 OF 5

A3

**ALLEN&HEATH**

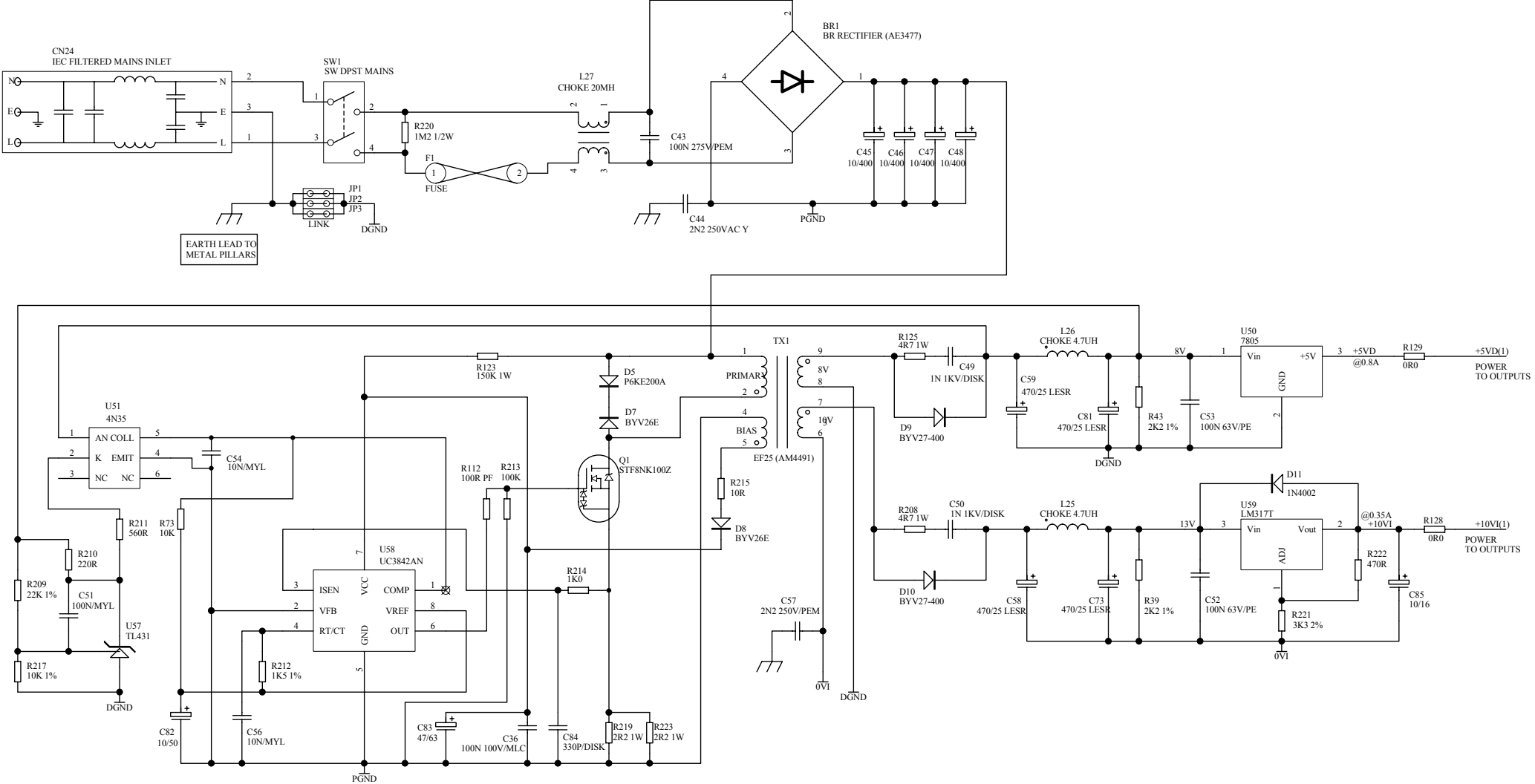
Kernick Industrial Estate,  
Penryn, Cornwall,  
England. TR10 9LU

Tel: +44 (0)8707 556250  
Fax: +44 (0)8707 556251

# DANGER - HIGH VOLTAGE

DISCONNECT POWER BEFORE REMOVING PSU

REFER SERVICE WORK TO QUALIFIED SERVICE PERSONNEL ONLY



ISSUE	BY	DATE
A	RH	08/01
B	RH	1/10/01
1	JB	(psu mods)26-11-01
2	ST JB	03-01-02
3	JB	29-07-02
4	JB	5/9/02
5	IMcB	26/9/02
5-1cct only	JB	14-05-09
5.2	AAT	

FILE: C4497\_5.2 (PSU).Sch

PRINTED: 14:39:10 13-May-2009

TITLE: DR SWITCH PSU

PAGE:

DRG No: AG4497

ISSUE: 5.2

SHEET: 2 OF 5

A3

**ALLEN&HEATH**

Kernick Industrial Estate,  
Penryn, Cornwall,  
England. TR10 9LU

Tel: +44 (0)8707 556250  
Fax: +44 (0)8707 556251