

ALLEN & HEATH



WARNING – HIGH VOLTAGES

Power Supply Unit (PSU) work should only be carried out by qualified personnel.

We recommend that you use an approved Allen & Heath service centre for all power supply work.

Please contact your local Allen & Heath distributor for more details.

<http://www.allen-heath.com/>

GL²²⁰⁰

Audio mixing console

**ALLEN
&
HEATH**

SERVICE MANUAL

PUBLICATION: AP3389

CONTENTS

Introduction	3
Service and Technical Support.....	3
Safety Warning & General Precautions	3
The GL2200 Range & Options	4
Flightcasing the Console.....	4
Dimensions	4
Specifications & Connections	5
Ordering a GL2200 Console, Options and Documentation.....	6
Ordering an Assembly	7
Ordering a Spares Kit	8 - 9
Front Panel Layout.....	10
Rear Panel Layout	11
Block Diagram.....	12
GL2200 INPUT Circuit Board component Ident	AG3395
GL2200 INPUT Circuit Diagram	C3395
GL2200 STEREO Circuit Board component Ident	AG3428
GL2200 STEREO Circuit Diagram (Page 1 of 2)	C3428
GL2200 STEREO Circuit Diagram (Page 2 of 2)	C3428
GL2200 GROUP Circuit Board component Ident.....	AG3425
GL2200 GROUP Circuit Diagram (Page 1 of 2)	C3425
GL2200 GROUP Circuit Diagram (Page 2 of 2)	C3425
GL2200 LEFT Circuit Board component Ident	AG3426
GL2200 LEFT Circuit Diagram (Page 1 of 3)	C3426
GL2200 LEFT Circuit Diagram (Page 2 of 3)	C3426
GL2200 LEFT Circuit Diagram (Page 3 of 3)	C3426
GL2200 RIGHT Circuit Board component Ident.....	AG3427
GL2200 RIGHT Circuit Diagram (Page 1 of 2)	C3427
GL2200 RIGHT Circuit Diagram (Page 2 of 2)	C3427
GL2200 OSC/NOISE Circuit Board component Ident	AG3519
GL2200 OSC/NOISE Circuit Diagram	C3519
GL2200 PSU Circuit Board component Ident.....	AG3504
GL2200 PSU Circuit Diagram.....	C3504

Warning to the Service Engineer

Allen & Heath warns that any unauthorised changes or modifications to the **GL2200** unit may invalidate the legal compliance of the unit and could void the user's authority to operate the equipment.

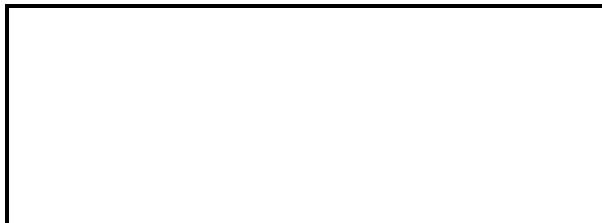
GL2200 Service Manual AP3389 Issue 1. Copyright © 1999 Allen & Heath. All rights reserved

MANUFACTURED IN ENGLAND BY:

ALLEN & HEATH
Kernick Industrial Estate
Penryn, Cornwall, TR10 9LU. UK
<http://www.allen-heath.com>

H A DIVISION OF HARMAN INTERNATIONAL INDUSTRIES Ltd

ALLEN & HEATH AGENT:



Introduction

The information presented in this manual is intended for competent technical personnel to carry out service and product support for the **GL2200** range of consoles. We assume that the reader is familiar with the related electronic theory and audio terminology, and is able to carry out servicing, faultfinding and repair of audio equipment of this type. Service personnel should also be familiar with audio systems, mains earthing and power requirements, as well as handling precautions.

For information on the configuration, operation and application of the GL2200 range, please refer to GL2200 User Guide (A&H Part no: AP3388).

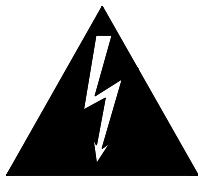
Whilst we believe the information in this manual to be reliable we do not assume responsibility for inaccuracies. We also reserve the right to make changes in the interest of further product development.

Service and Technical Support

Under normal conditions the **GL2200** does not require user maintenance or internal calibration. Any service work required should be carried out by qualified service personnel only.

We are able to offer further product support through our world-wide network of approved dealers and service agents. You can also access our Web site on the Internet for information on our product range, assistance with your technical queries or simply to chat about audio matters. To help us provide the most efficient service please keep a record of the console serial number, the date and place of purchase to be quoted in any communication regarding this product.

SAFETY WARNING!



Mains electricity is dangerous and can kill. Mains voltage is present within the console power supply unit.

Do not remove the power supply cover with mains electricity connected. To ensure your safety, mains earth is connected to the chassis through the power lead. Do not remove this mains earth connection.

To avoid the risk of fire, replace the mains fuse only with the correct value and type as indicated on the power supply unit.



The internal power supply unit contains no serviceable components and must be replaced as a complete unit if a failure occurs.

General Precautions

Your **GL2200** is ruggedly constructed to give many years of reliable operation. However, you will extend the life of the console and preserve its cosmetics by applying these simple common sense precautions.

- Avoid storing or using the mixing console in conditions of excessive heat or cold, or in positions where it is likely to be subject to vibration, dust, dirt or moisture.
- Do not use any liquids to clean the control surface of the console, a soft dry brush or dry lint-free cloth is ideal.
- Use only water or ethyl alcohol to clean the trim and scribble strips. Other solvents may cause damage to paint or plastic parts.
- The faders, switches and potentiometers are lubricated for life. The use of electrical lubricants on these parts is not recommended.
- Avoid using the console close to strong sources of electromagnetic radiation (e.g. video monitors, high power electric cabling): this may cause degradation of the audio quality due to induced voltages in connecting leads and chassis. For the same reason, always site any external power supply away from the unit.

The GL2200 Range

12, 16, 24 and 32 channel models

GL2200-412	10 mono, 2 stereo, 4 groups, 6 aux, 2 stereo returns, L, R, Mono sum
GL2200-416	14 mono, 2 stereo, 4 groups, 6 aux, 2 stereo returns, L, R, Mono sum
GL2200-424	22 mono, 2 stereo, 4 groups, 6 aux, 2 stereo returns, L, R, Mono sum
GL2200-432	30 mono, 2 stereo, 4 groups, 6 aux, 2 stereo returns, L, R, Mono sum

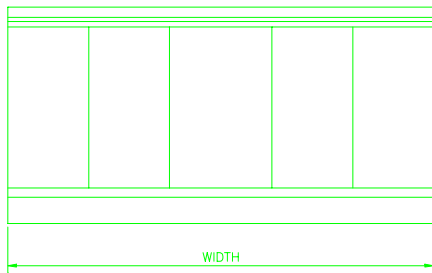
Options

GL2200-SL1	Sys-link buss expander, one kit per console
RPS9	2U rack mount power supply for backup

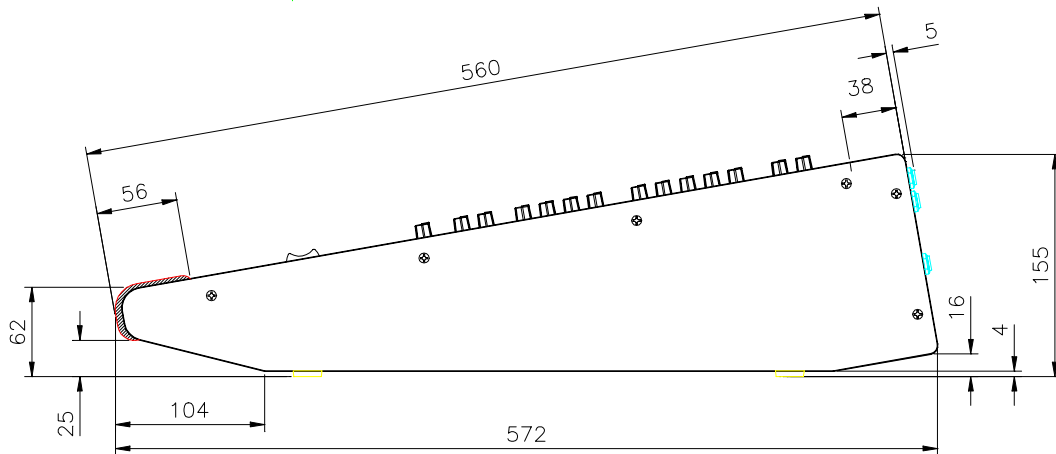
Flightcasing The Console

If the console is to be regularly moved we recommend that it is installed in a foam-lined flightcase. At all times avoid applying excessive force to any knobs, switches or connectors.

Dimensions for flightcasing the console are shown below:



GL2200 - 412	width 548mm
GL2200 - 416	width 668mm
GL2200 - 424	width 920mm
GL2200 - 432	width 1160mm



Dimensions

	Unpacked				Packed			
	Width	depth	height	weight(kg)	Width	depth	height	weight(kg)
GL2200-412	548	572	155	16	700	750	280	20
GL2200-416	668	572	155	18	815	750	280	23
GL2200-424	920	572	155	24	1065	750	280	29
GL2200-432	1160	572	155	30	1325	750	280	35
RPS9 power supply	483	140	96	6	540	270	180	8

Specifications

0 dBu = 0.775 Volts rms 0 dBV = 1 Volt rms

HEADROOM:..... +21dB

MAX OUTPUT:XLR +25dBu 2kohm max load
.....JACK +21dBu 2kohm max load

METERS: L, R.....peak reading 12 bar LED
Groups 1-4.....peak reading 4 segment LED
Channels.....peak reading 4 segment LED

PEAK LEDs: Turn on 5dB before clipping

FREQUENCY RESPONSE referred to 1kHz @ +4dBu:
Any input to any output..... 20Hz to 30kHz +/-1dB

DISTORTION: THD+Noise @ +14dBu 1kHz
Mic in to L-R output, 40dB gain0.010%
Line in to L-R output, 0dB gain0.008%

CMRR
Mic in, 40dB gain @ 1kHz >88dB

CROSSTALK: Referred to driven channel @ 1kHz
Adjacent channel < -94dB
Channel fader off < -90dB
Channel mute on < -90dB
Channel Pan pot isolation < -80dB

NOISE: Measured rms, 22kHz bandwidth
Mic input EIN (150 ohm source)..... < -128dB
Line preamp, 0dB gain..... < -90dBu
L-R output residual noise < -94dBu (98dB S/N)
L-R faders '0', nothing routed..... < -90dBu (94dB S/N)
L-R mix noise (16 channels routed) < -84dBu (88dB S/N)
Group, faders '0', nothing routed..... < -91dBu (95dB S/N)
Group mix noise (16 channels routed). < -84dBu (88dB S/N)

POWER SUPPLY:..... 100 to 240V AC @ 47/63Hz
..... Internal, autosensing AC mains input
Power consumption:60W max
Mains Fuse rating 100-240VAC: T1A 250V 20mm

Connections

INPUTS:

Mic inXLR.....	pin 2 hot, 3 cold, balanced>2k Ohm.....	variable -60 to -20dBu
Line inXLR.....	pin 2 hot, 3 cold, balanced>10k Ohm.....	variable -30 to +10dBu
	or TRS jacktip hot, ring cold, balanced>10k Ohm.....	variable -30 to +10dBu
Stereo Ch Line inTRS jacktip hot, unbalanced.....	>8k Ohm-20dBu min
Stereo ReturnTRS jacktip hot, unbalanced.....	>6k Ohm-10dBV min
2-Track ReturnRCA PHONOunbalanced	>10k Ohm-10dBV min
Insert ReturnTRS jacktip send, ring return, unbalanced	>6k Ohm0dBu (chan), -2dBu (out)

OUTPUTS:

L-R, Group outXLR.....	pin 2 hot, 3 cold, balanced<75 Ohm+4dBu, +27dBu max
Direct outTRS jacktip hot, impedance balanced<75 Ohm0dBu
2-Track sendsRCA PHONOunbalanced<75 Ohmvariable +21dBu max
Aux outTRS jacktip hot, impedance balanced<75 Ohmvariable +21dBu max
Mono outXLR.....	tip hot, ring cold, balanced<75 Ohm+4dBu, +27dBu max
Insert sendTRS jacktip send, ring return, unbalanced<75 Ohm0dBu (chan), -2dBu (out)
Monitor outTRS jacktip left, ring right, unbalanced<75 Ohmvariable +21dBu max
Phones outTRS jacktip left, ring right	for stereo headphones 30 to 600 Ohms

Ordering a *GL2200* Console

To order a new console please specify the model number and AC mains voltage required.

MODEL	DESCRIPTION	ORDER CODE
<i>GL2200</i> 12 Channel	10 mono + 2 stereo input channels	GL2200-412/volts
<i>GL2200</i> 16 Channel	14 mono + 2 stereo inputs channels	GL2200-416/volts
<i>GL2200</i> 24 Channel	22 mono + 2 stereo inputs channels	GL2200-424/volts
<i>GL2200</i> 32 Channel	30 mono + 2 stereo inputs channels	GL2200-432/volts

Ordering an Option

To order an option please specify the serial number of the console that is to have the option fitted.

MODEL	DESCRIPTION	ORDER CODE
<i>GL2200-SL1</i>	GL2200 SYS-LINK KIT	GL2200-SL1
	GL2200 Balanced Output IC option	AE0302
<i>RPS9</i>	2U external linear power supply	RPS9/volts

Manuals and Support Documentation

DESCRIPTION	ORDER CODE
<i>GL2200</i> User Guide	AP3388
<i>GL2200</i> Service Manual	AP3389
<i>GL2200</i> Brochure	AP3390
<i>GL2200</i> SYS-LINK Fitting Instructions	AP3622
<i>GL2200</i> SYS-LINK Application Note	AP3623
<i>RPS9</i> User Guide	AP0334

Service Tools

The tools required to service the *GL2200* are standard to an electronic service workshop and are easily obtainable. The following items are necessary for disassembly and service access:

1-point Crosshead screwdriver (M3, 4AB)	AT0004
2-point Crosshead screwdriver (M4, 6AB)	AT0002
11mm AF Nutdriver (potentiometer nuts)	
12mm AF Nutdriver (jack nuts)	

Ordering an Assembly

The following assemblies are supplied fully tested. Please note that several of these need to be assigned according to their position in the console. This is achieved by soldering wire links or assignment pads. It is best to check the assignment settings of the assembly you are replacing before removing it from the console. Please quote the description and order code for the part required.

Printed Circuit Board (PCB) Assemblies:

* specify position of PCB assembly

	Mono Input & Connector PCB assembly	002-412
	Stereo Input & Connector PCB assembly	002-442
	* Group PCB assembly	002-439
	OSC/Noise PCB assembly	002-453
	Left PCB assembly	002-440
	Right PCB assembly	002-441
	Switch Mode PSU assembly (12 & 16)	002-456
	Switch Mode PSU assembly (24 & 32)	002-457

IDC connector harnesses:

GL2200-412	20 way Main harness	AL3535
GL2200-416	20 way Main harness	AL3536
GL2200-424	20 way Main harness	AL3537
GL2200-432	20 way Main harness	AL3538

The Chassis Trim

GL2200 (all formats)	Left & Right Chassis side trims	AA2539-L/R
	Write-on strip (specify console size)	AK0327

Ordering a Spares Kit

It is recommended that the spares kit order code **002-481** is held and maintained by the service agent to enable in-field service repairs to the **GL2200** independent of the ALLEN & HEATH factory. Commonly available items such as resistors, capacitors, tools and soldering equipment are not included. The contents of the kit are listed below and are supplied in a cabinet of drawers. Individual spare parts may be ordered. Please quote the description and order code for the part required.

DESCRIPTION	ORDER CODE	QTY
-------------	------------	-----

Fixings:

Screw 4AB x 5/16 CSK Pozi Black	AB0059	5
Screw 6AB x 3/8 Pan Pozi Black	AB0062	10
Screw M3 x 6mm Pan Pozi Black	AB0072	5
Screw M3 x 8mm Pan Pozi Black	AB0073	10
Screw M3 x 12mm Pan Pozi Black	AB0078	5
Screw M3 x 16mm Pan Pozi Black	AB0079	5
Nylock Nut M3	AB0102	5
Screw M3 x 4mm Pan Pozi Black	AB0233	10
Screw 4AB x 1/4 Pan Pozi Plated	AB0252	4
Screw 6B x 1/4 Trunc Pozi Zinc	AB2083	10
Screw 4 x 5/16 Pan Pozi Plastite	AB2771	5
Screw 6B x 5/16 Pan Pozi Black	AB2809	5
Screw 4 x 5/16 Poly Pan Pozi	AB2810	10

Knobs and caps:

Knob Red & Grey 11mm D	AJ2074	10
Knob Blue & Grey 11mm D	AJ2075	10
Knob Light Blue & Grey 11mm D	AJ2076	10
Knob Green & Grey 11mm D	AJ2077	10
Knob Dark Grey & Grey 11mm D	AJ2078	10
Knob Yellow & Grey 11mm D	AJ2079	10
Knob Brown & Grey 11mm D	AJ2080	10
Button 5.5mm Square Grey	AJ2864	10
Button 10 x 5mm Rectangular Grey	AJ2865	10
Button Round Black	AJ2887	1
Button 5.5mm Square White	AJ2960	10
Button 5.5mm Square Red	AJ2961	10
Button 10 x 5mm Rectangular White	AJ2962	10
Button 10 x 5mm Rectangular Black	AJ3228	3
Fader Knob 11mm White+Black Line	AJ8078	10
Fader Knob 11mm Red+Black Line	AJ8079	5
Fader Knob 11mm Yellow+Black Line	AJ8080	5
Fader Knob 11mm Blue+Black Line	AJ8081	5

Faders, Potentiometers, Switches and connectors:

Pot 10KC x 2 (103C 14mm wide)	AI0150	5
Pot 20KK (203K 11mm wide)	AI8003	5
Pot 20KB centre click (203B 11mm wide)	AI8004	5
Pot 200KC x 2 (204C 11mm wide)	AI8005	5
Pot 20KB x 2 centre click (14mm wide)	AI8006	5
Pot 20KK x 2 (203K 14mm wide)	AI8007	5

Pot 10K centre click (103AC 14mm wide)	AI8008	5
Pot 5K (502RD 11mm wide)	AI8111	5
Fader 10KA x 2 60mm	AI8051	5
Fader 10KD 100mm	AI8117	10
Fader 10KD x 2 100mm	AI8118	5
Switch 2PCO Latching 90 Deg	AL0162	5
Switch 4PCO Latching	AL0333	5
Switch 2PCO Momentary	AL0374	5
Jack Socket Headphone	AL0328	1
XLR 3 Pin Female Vertical PCB Mount	AL2410	5
XLR 3 Pin Male Vertical PCB Mount	AL2411	5
Molex 0.1" Male 10 Pin 90 Deg	AL2572	3
Molex 0.1" Female 10 way Straight	AL2573	3
Jack Socket ¼" Stereo Unswitched	AL3407	5
Jack Socket ¼" Stereo Switched	AL3410	5
Pot Nut 9mm	AB8050	10

LEDs and Semiconductors:

Transistor BC549 NPN	AE0020	3
Transistor BC638 PNP	AE0037	2
Transistor BC637 NPN	AE0068	2
Transistor 2N4403 PNP	AE0273	5
Transistor BC556B PNP	AE3001	2
Transistor 2SB737 PNP	AE8069	5
IC Op-Amp TL072	AE0046	5
IC LM339N Quad Comparator	AE0071	2
IC CMOS 4053B	AE0117	1
IC Op-Amp NE5532N	AE0221	5
LED 3mm T1 Yellow	AE0084	5
LED 3mm T1 Green	AE0085	5
LED 3mm T1 Red	AE0086	5
LED Bar Rectangular 12 Way	AE2701	1
LED 5 x 2mm Rectangular Red Flat Top	AE3502	10

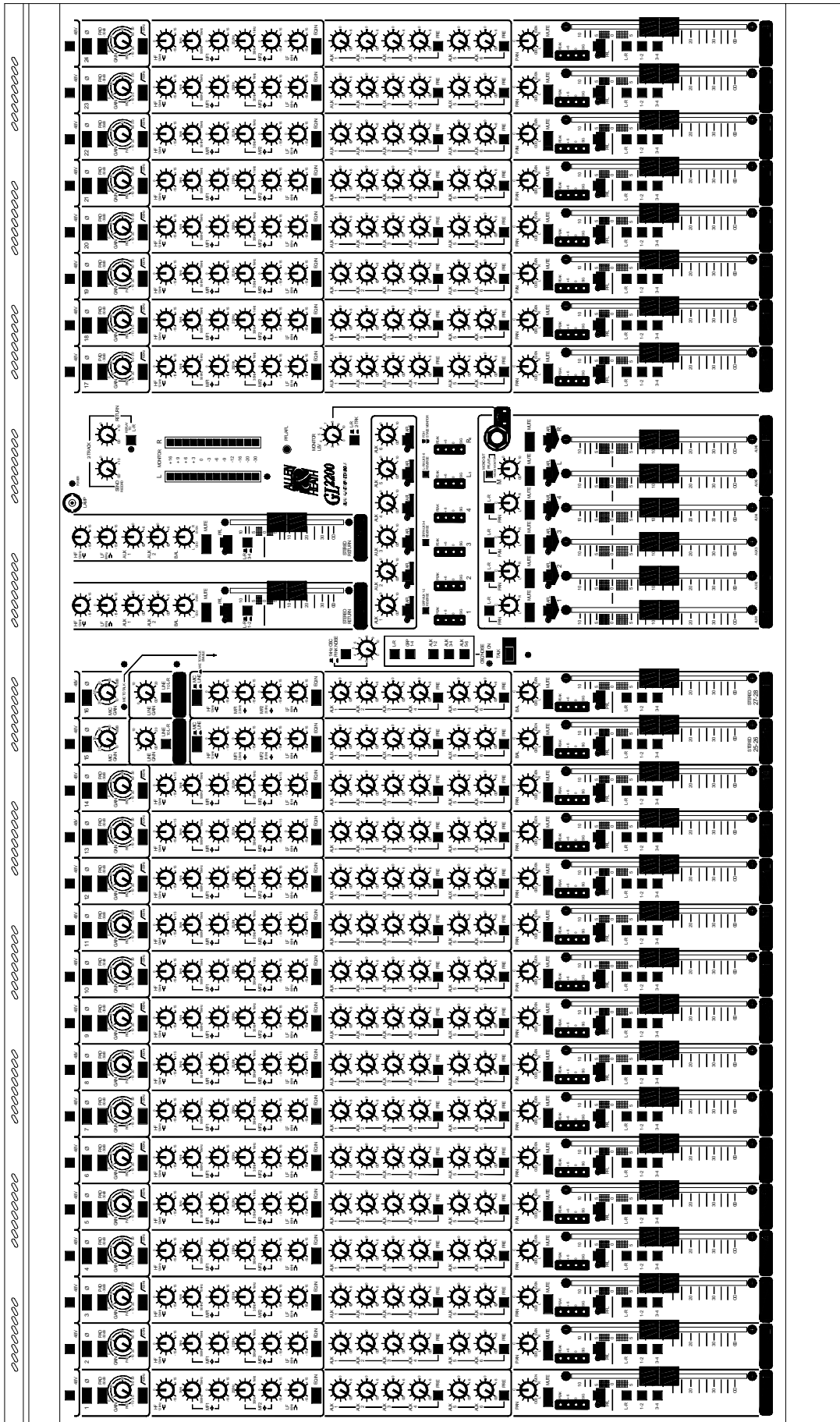
Power Supply:

Mains Lead IEC-2pin EURO	AH0205	-
Mains Lead IEC-3pin UK	AH0206	-
Mains Lead IEC-3pin US (C33)	AH0323	-
Mains Fuse 20mm 1A Anti-Surge	AL0305	10

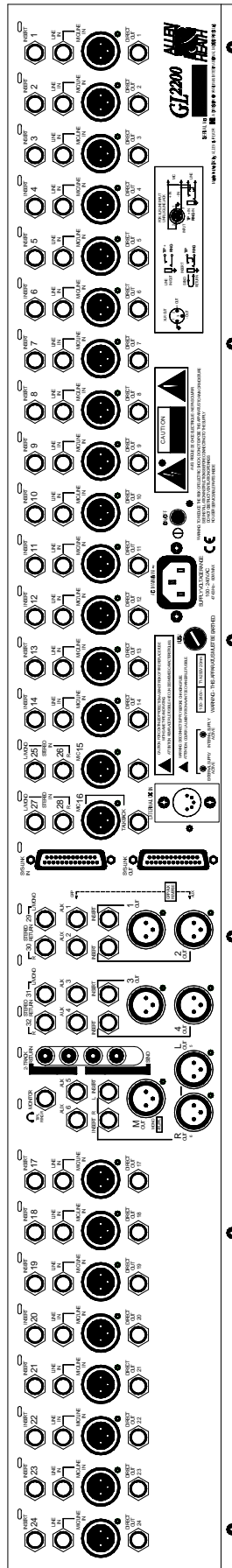
Miscellaneous:

GL2200-412 Packing Assembly	002-435	-
GL2200-416 Packing Assembly	002-436	-
GL2200-424 Packing Assembly	002-437	-
GL2200-432 Packing Assembly	002-438	-
Flex Cable 12 Way 90mm	AH2228	5

GL2200 FRONT PANEL

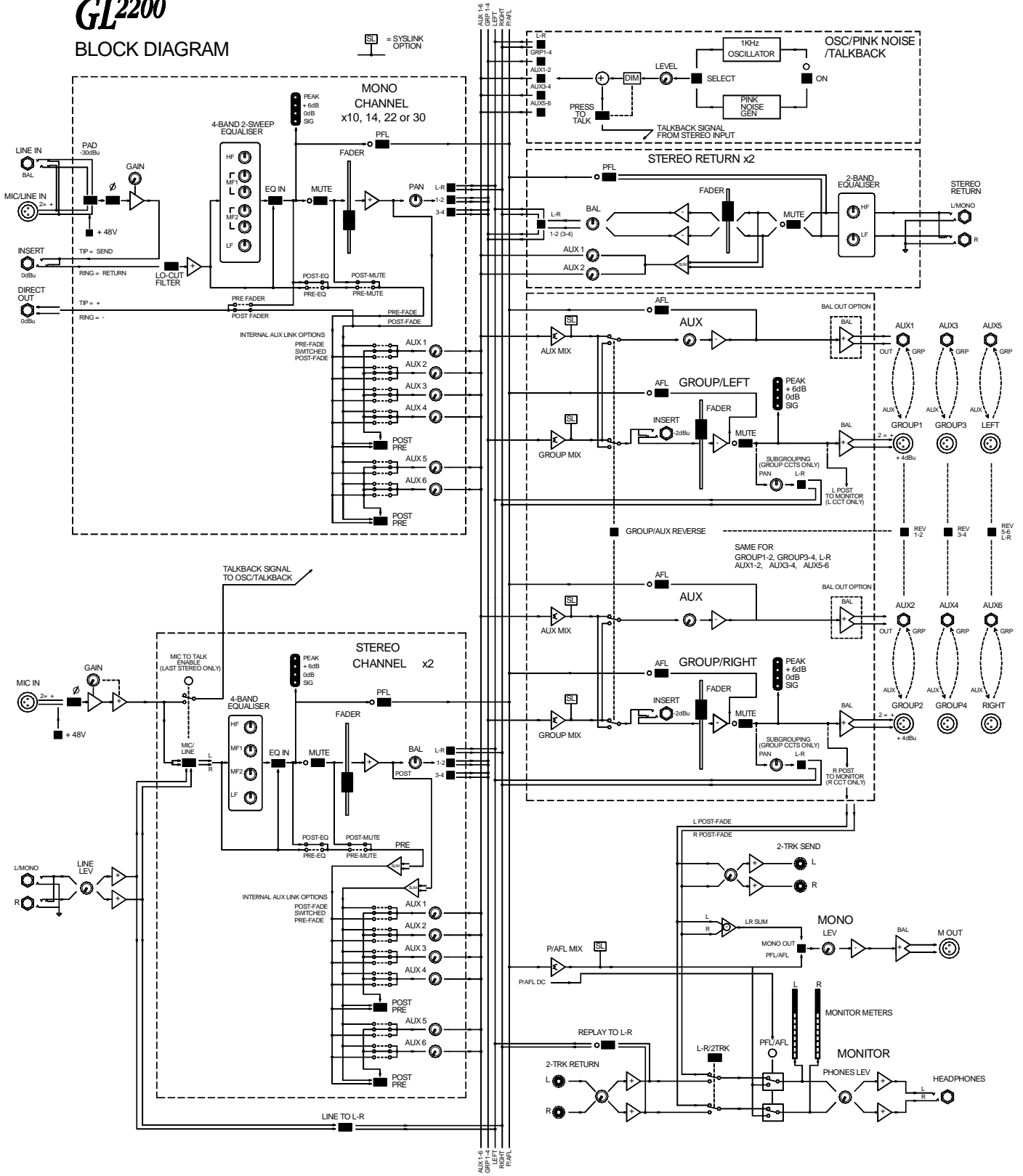


GL2200 REAR PANEL

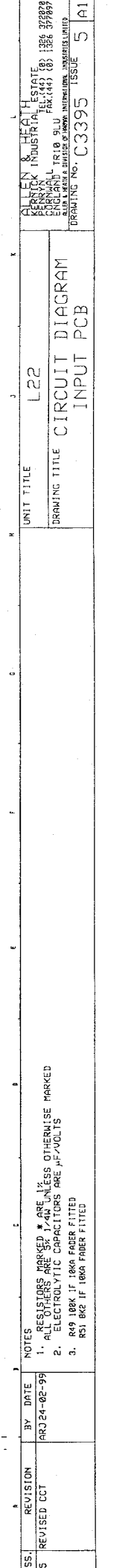
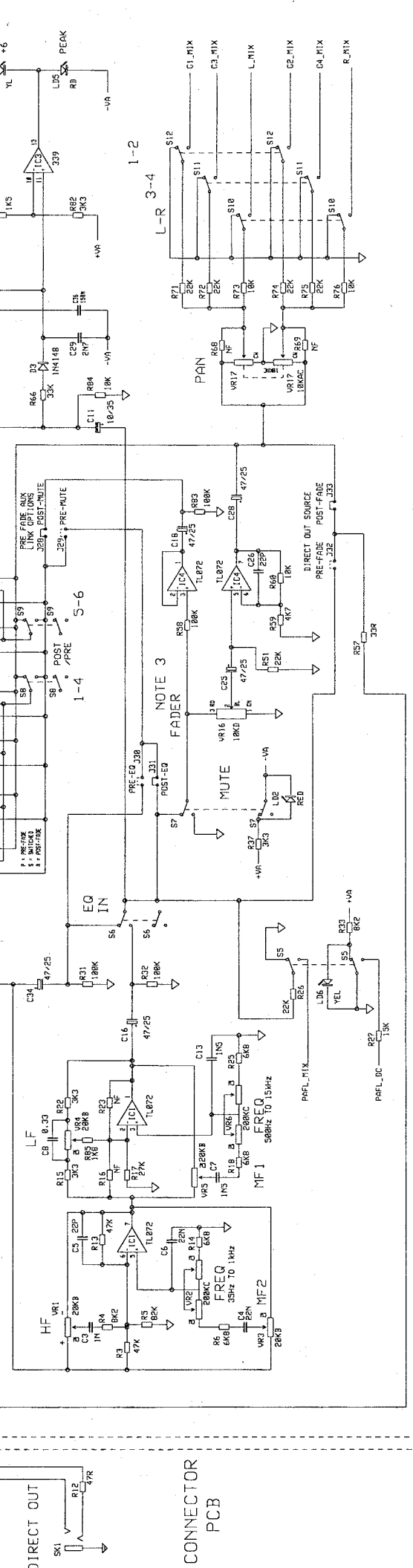
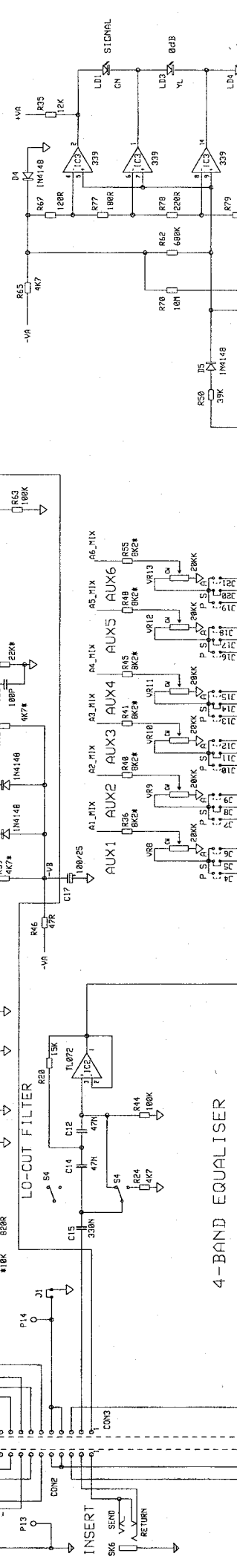
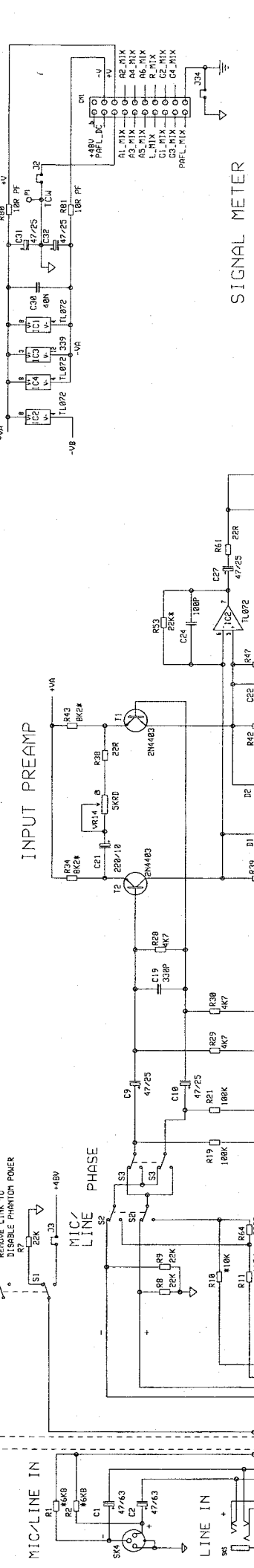


GL2200

BLOCK DIAGRAM



20 WAY MAIN RIBBON

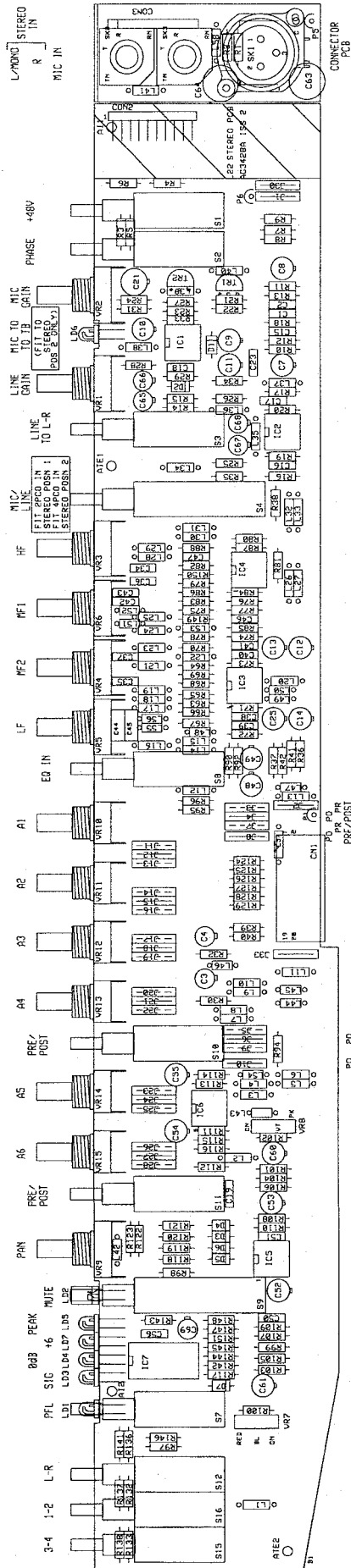


ISS. 5
 REVISION 5
 DATE AR224-02-99
 REVISED CCT

NOTES
 1. RESISTORS MARKED * ARE UNLESS OTHERWISE MARKED
 2. ELECTROLYTIC CAPACITORS ARE MF/VOLTS
 3. R49 100K IF 100K FADER FITTED
 R51 82K IF 100K FADER FITTED

UNIT TITLE L22
 DRAWING TITLE CIRCUIT DIAGRAM
 INPUT PCB

ALLEN & HEATH
 CENTRA INDUSTRIAL ESTATE
 PENRYN
 ENGLAND
 TEL: (44) (0) 1326 378878
 FAX: (44) (0) 1326 378879
 R.F. LEWIS & SONS LTD. (A DIVISION OF ALLEN & HEATH)
 DRAWING NO. C3395 ISSUE 5 AI

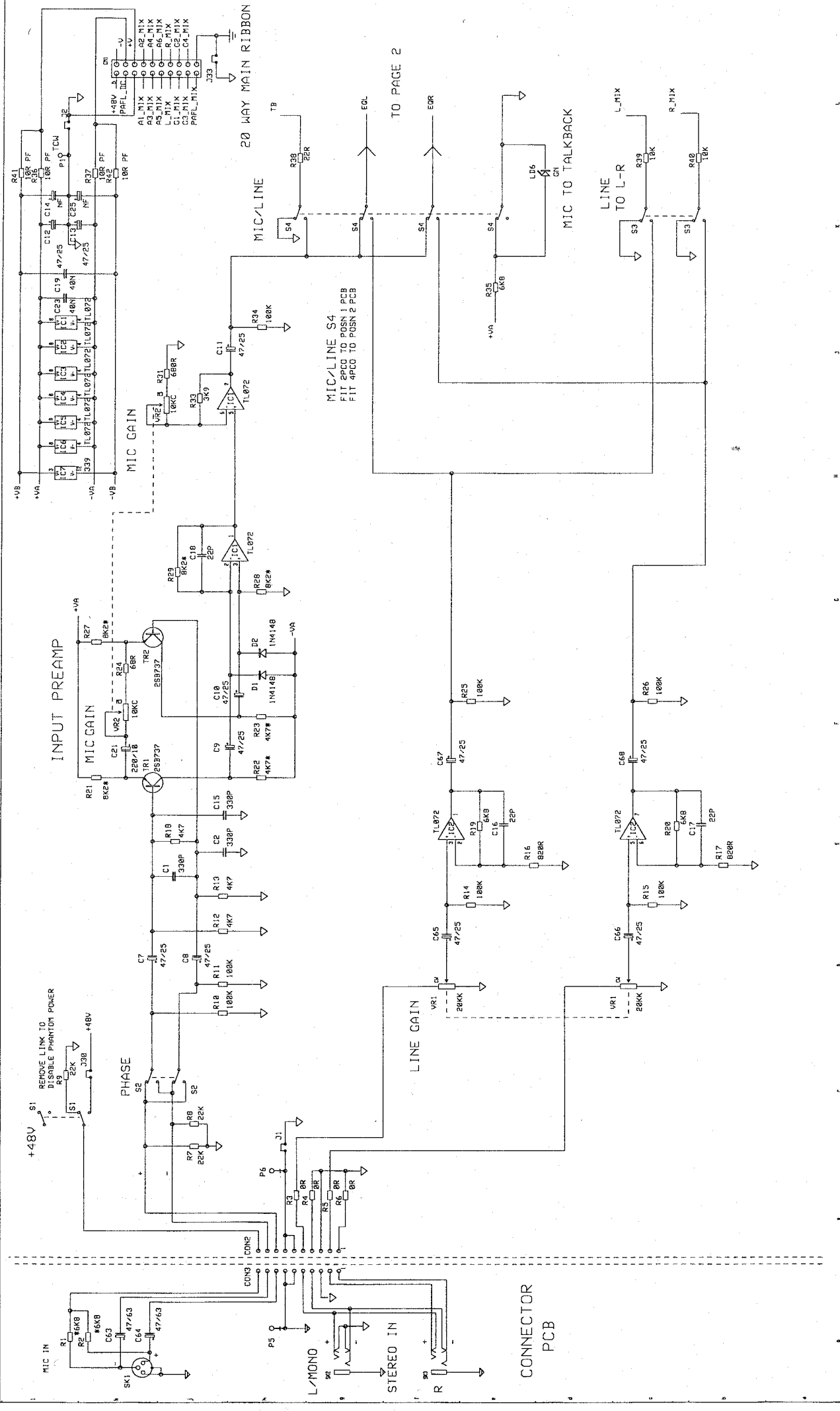


LEFT FADER

RIGHT FADER
PRE/POST
MUTE LINKS

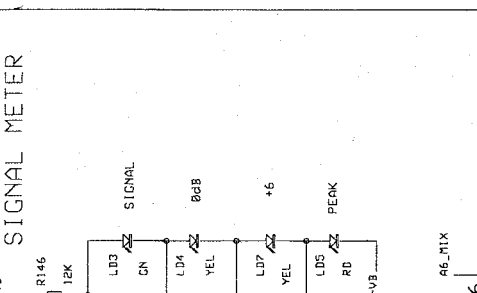
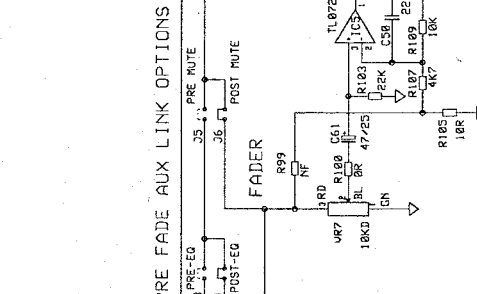
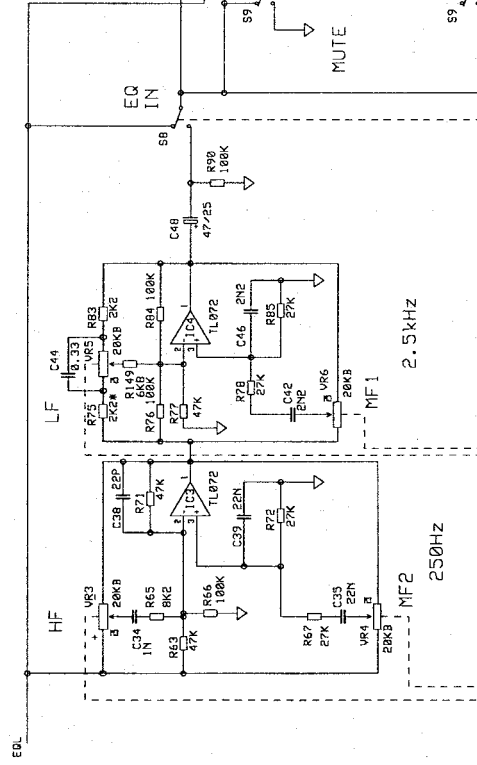
PO PA
PR PA
PRE/POST
EQ LINKS

CONTRACTOR
PCB

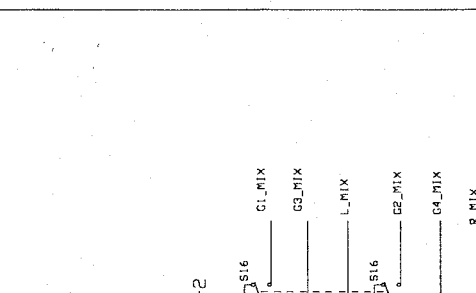
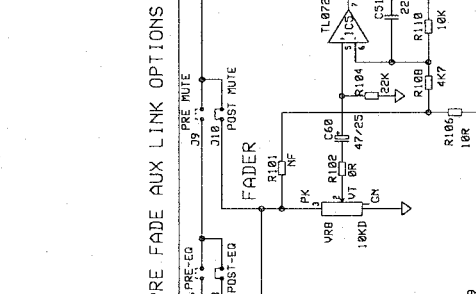
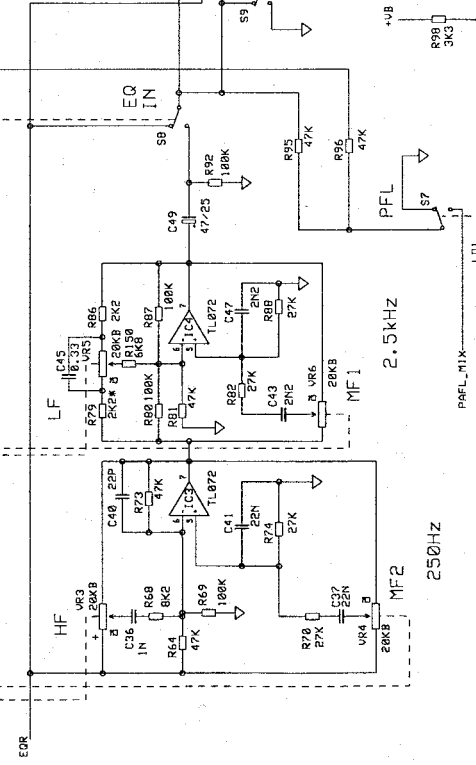


ISS.	REVISION	BY	DATE	NOTES
1	ORIGIN PRODUCTION	DRP	12-9-98	1. RESTORES WORKSHEET NO. 14
2	FABER CORRECTION	DRP	15-9-98	2. ELECTRONIC COMPONENTS INC./P/O/LS
UNIT TITLE				L22
DRAWING TITLE				CIRCUIT DIAGRAM
DRAWING No.				C3428
PAGE 1 OF 2				2
ALLEN & HEATH 1000 WILSON BLVD WILSON, NJ 07097 TEL: (908) 684-7800 FAX: (908) 684-7807				ALLEN & HEATH ELECTRONIC COMPONENTS INC./P/O/LS DRAWING No. C3428 ISSUE 2

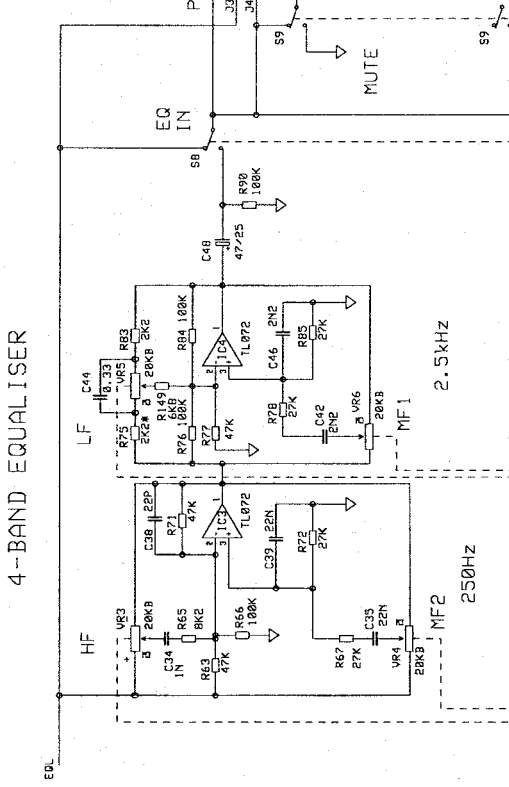
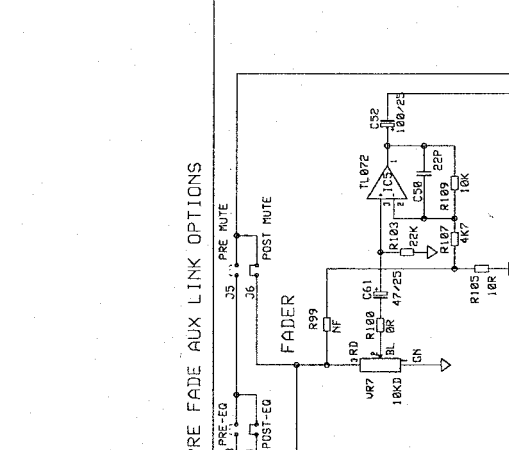
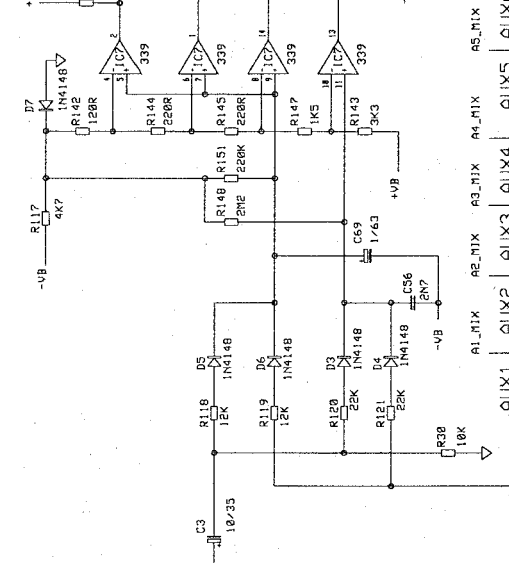
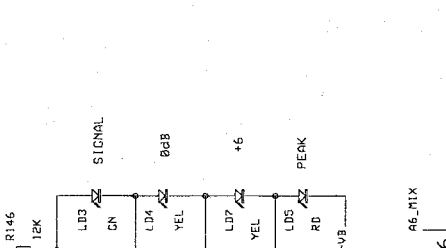
4-BAND EQUALISER



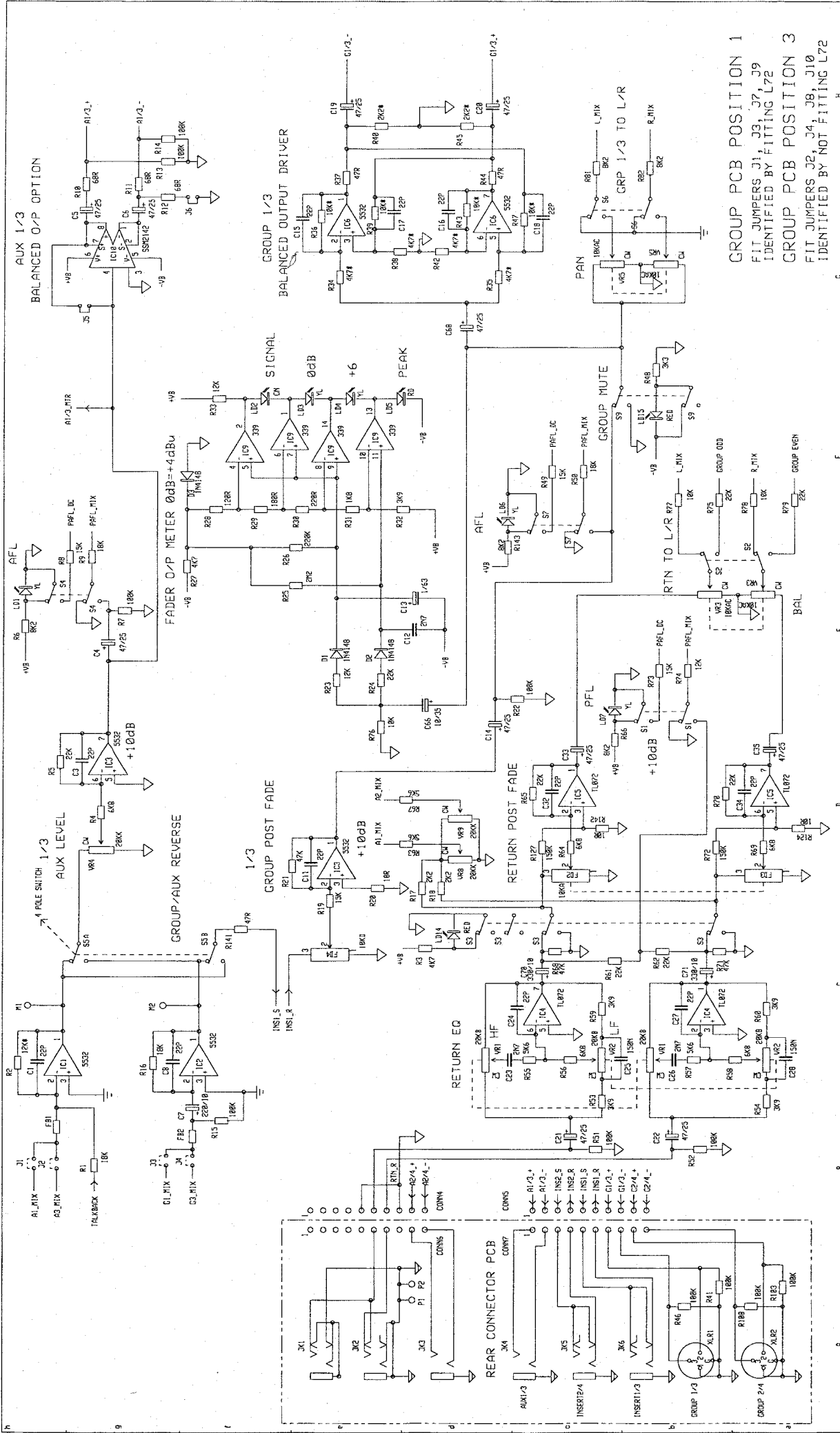
4-BAND EQUALISER



SIGNAL METER



ISS.	REVISION	BY DATE	NOTES
A	ORIGIN PRODUCTION	DRP 12-18-98	1. REVISIONS WERE MADE IN
1	FADER CORRECTION	DRP 15-9-98	ALL DIMS ARE IN UNLESS OTHERWISE NOTED
2		ART 05-02-99	2. ELECTROLYTIC CAPACITORS ARE 50V/10%
UNIT TITLE			L22
DRAWING TITLE			CIRCUIT DIAGRAM
			STEREO PCB
PAGE 2 OF 2			ALLEN & HEATH
			TEL: (44) (0) 1336 37000
			FAX: (44) (0) 1336 37007
			EMAIL: A.H. @ALLEN-HEATH.COM
			WWW.ALLEN-HEATH.COM
REV. NO.			C3428
			ISSUE 2



ISS.	REVISION	BY	DATE	NOTES
1	ORIGIN	DRP	24-8-98	1. RESISTORS MARKED * ARE 1% ALL OTHERS ARE 5% 1/4W UNLESS OTHERWISE MARKED
2	PRODUCTION	AAT	21-09-98	2. ELECTROLYTIC CAPACITORS ARE 4F/ALUITS
	REVISION	DWD	25-02-99	

UNIT TITLE	L22
DRAWING TITLE	CIRCUIT DIAGRAM GROUP PCB
PAGE 1 OF 2	
AC3425	

ALLEN & HEATH KERNICK INDUSTRIAL ESTATE PENRYN CORNWALL ENGLAND TR10 9LU	TEL. (44) (0) 1326 372818 FAX. (44) (0) 1326 378877 CORNWALL ENGLAND TR10 9LU
ISSUE	2
DRAWING NO.	C3425

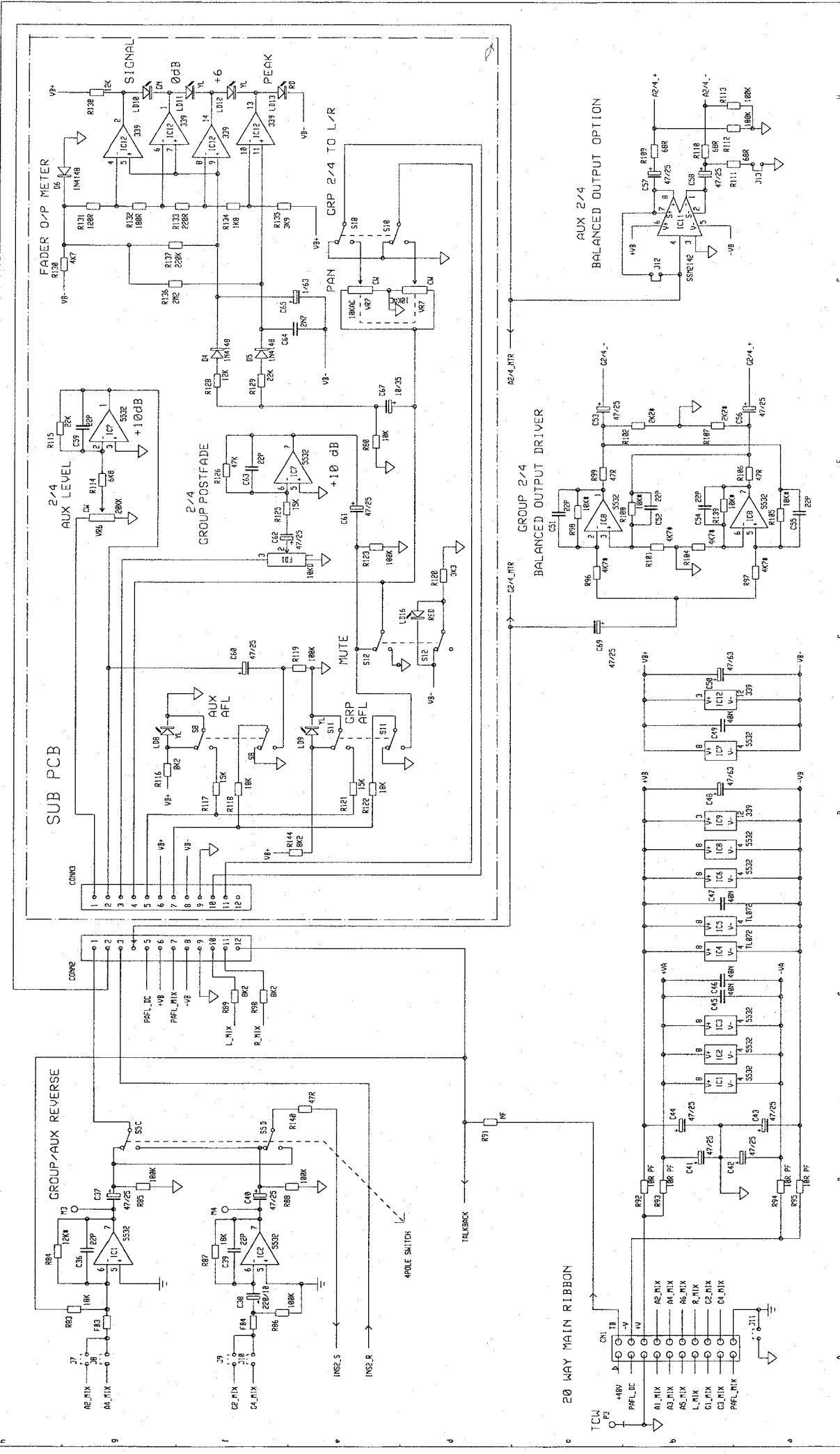
GROUP PCB POSITION 1
FIT JUMPERS J1, J3, J7, J9
IDENTIFIED BY FITTING L72

GROUP PCB POSITION 3
FIT JUMPERS J2, J4, J8, J10
IDENTIFIED BY NOT FITTING L72

ALLEN & HEATH
KERNICK INDUSTRIAL ESTATE
PENRYN
CORNWALL
ENGLAND TR10 9LU

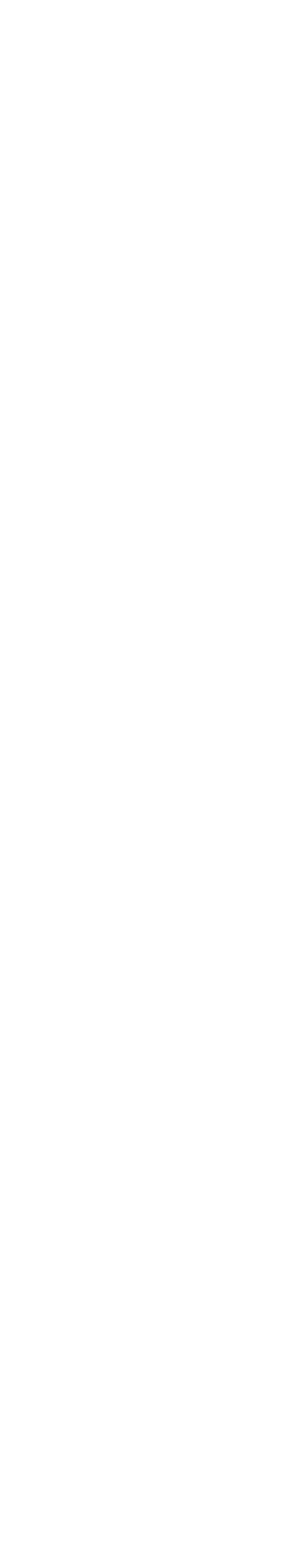
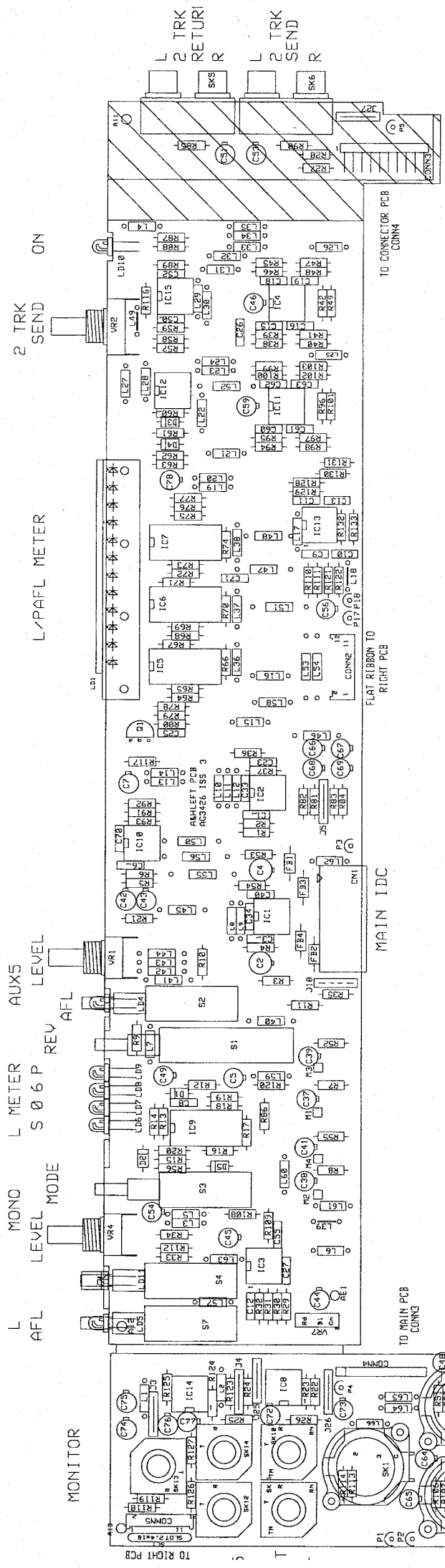
TEL. (44) (0) 1326 372818
FAX. (44) (0) 1326 378877

ALLEN & HEATH A DIVISION OF HARMAN INTERNATIONAL INDUSTRIES LIMITED



ISS.	REVISION	BY	DATE	NOTES	UNIT TITLE	DRAWING TITLE	ISSUE
1	ORIGIN	DRP	24-8-98	1. RESISTORS MARKED # ARE 1% ALL OTHERS ARE 5% 1/4W UNLESS OTHERWISE MARKED	L22	CIRCUIT DIAGRAM	2
2	PRODUCTION	AAT	21-09-98	2. ELECTROLYTIC CAPACITORS ARE µF/ALTS	AG3425	GROUP PCB	2
	REVISION	DWD	25-02-99				

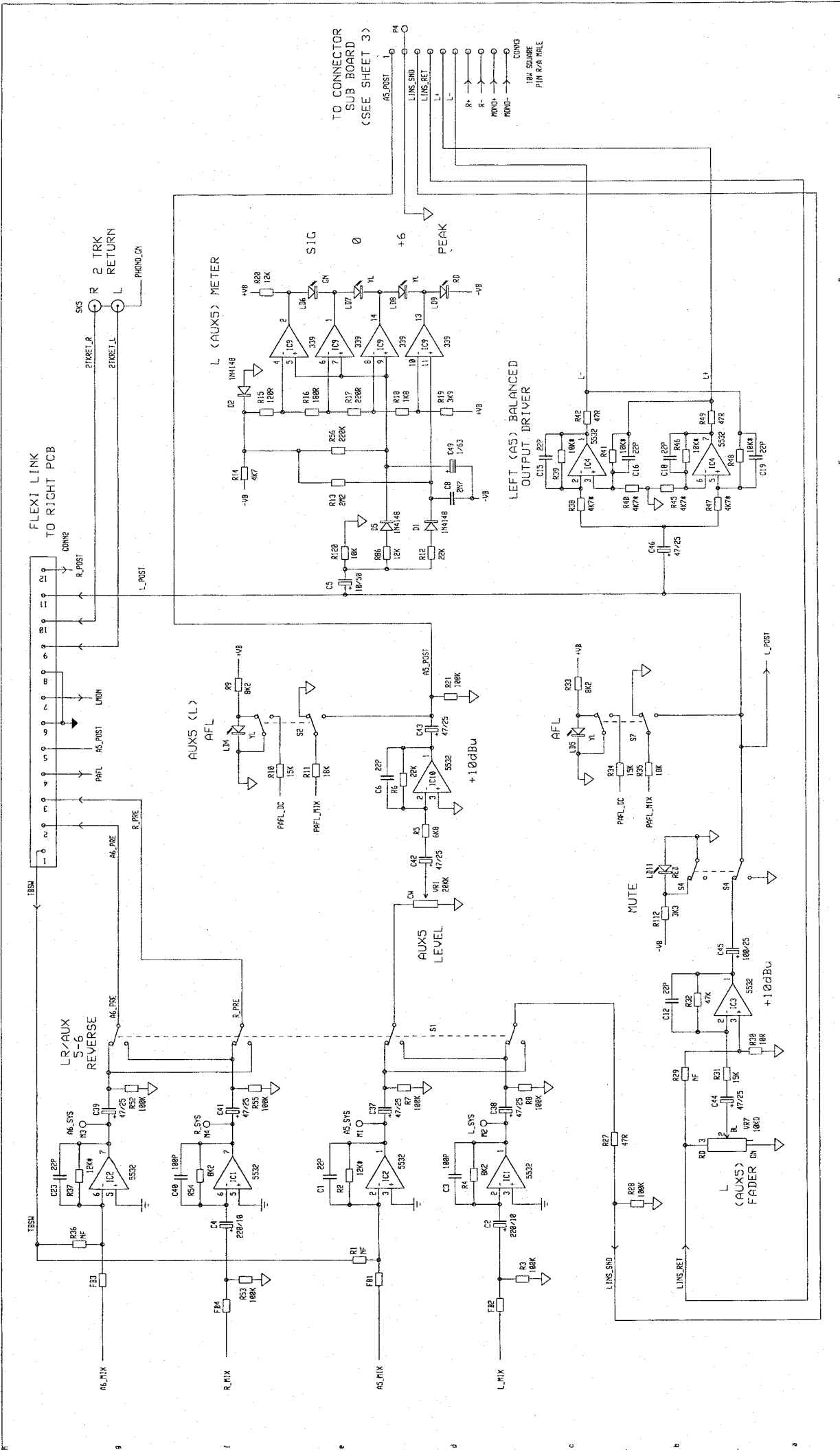
ALLEN & HEATH
KENTUCK INDUSTRIAL ESTATE
PENRYN
ENGLAND TR18 9LU
ALLEN & HEATH IS A DIVISION OF HARROLD INTERNATIONAL INDUSTRIES LIMITED
DRAWING NO. C3425
ISSUE 2
A2



MONITOR
 TO RIGHT PCB
 L AFL
 L LEVEL
 MONO
 L METER
 AUX5
 LEVEL
 S 0 6 P
 REV AFL
 VR4
 VR1
 VR2
 2 TRK
 SEND
 ON
 L/P AFL METER
 TO MAIN PCB
 CONNS
 MAIN IDC
 FLAT RIBBON TO
 RIGHT PCB
 TO CONNECTOR PCB
 CONNA

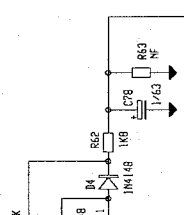
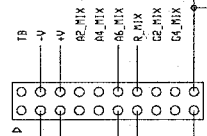
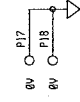
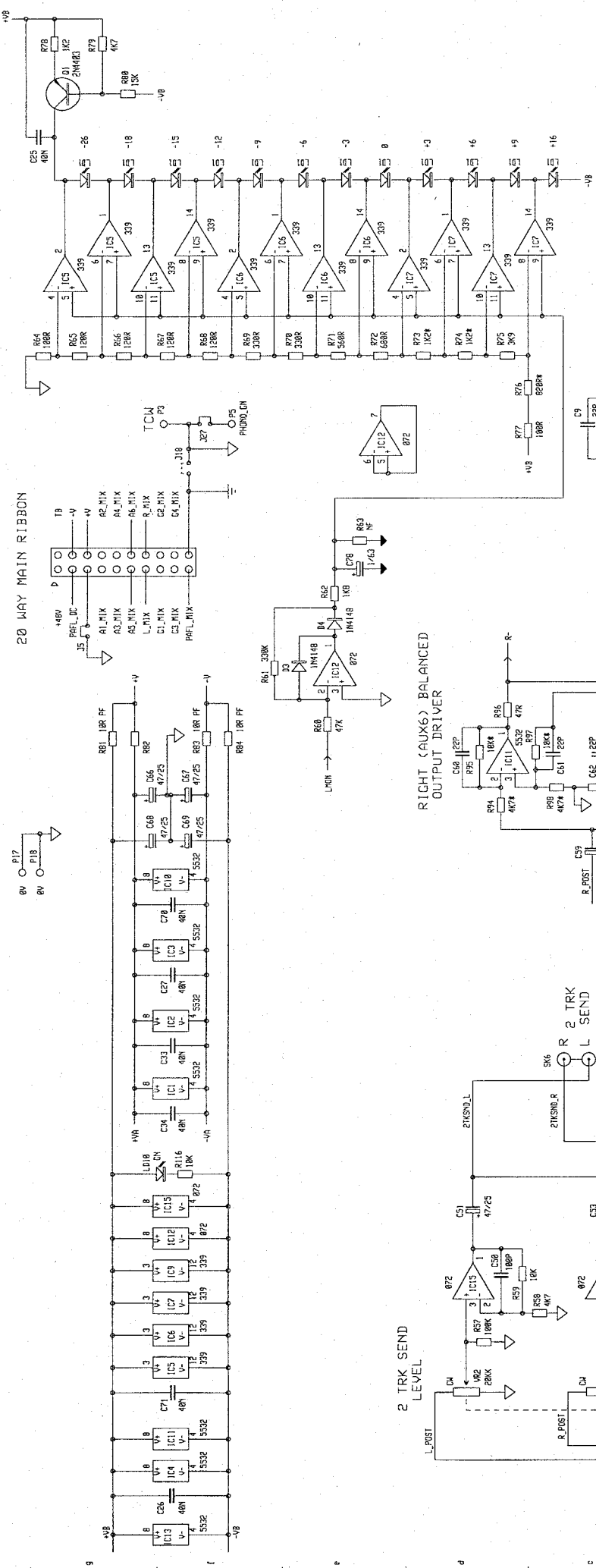
R OUT
 L OUT
 SK1
 SK2
 SK3
 SK4
 SK5
 SK6
 SK7
 SK8
 SK9
 SK10
 SK11
 SK12
 SK13
 SK14
 SK15
 SK16
 SK17
 SK18
 SK19
 SK20
 SK21
 SK22
 SK23
 SK24
 SK25
 SK26
 SK27
 SK28
 SK29
 SK30
 SK31
 SK32
 SK33
 SK34
 SK35
 SK36
 SK37
 SK38
 SK39
 SK40
 SK41
 SK42
 SK43
 SK44
 SK45
 SK46
 SK47
 SK48
 SK49
 SK50
 SK51
 SK52
 SK53
 SK54
 SK55
 SK56
 SK57
 SK58
 SK59
 SK60
 SK61
 SK62
 SK63
 SK64
 SK65
 SK66
 SK67
 SK68
 SK69
 SK70
 SK71
 SK72
 SK73
 SK74
 SK75
 SK76
 SK77
 SK78
 SK79
 SK80
 SK81
 SK82
 SK83
 SK84
 SK85
 SK86
 SK87
 SK88
 SK89
 SK90
 SK91
 SK92
 SK93
 SK94
 SK95
 SK96
 SK97
 SK98
 SK99
 SK100

L 2 TRK
 RETURN
 R
 L 2 TRK
 SEND
 R

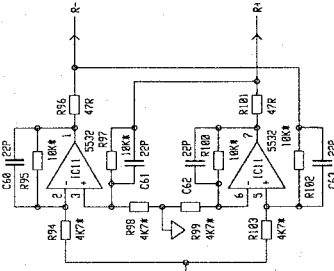


ISS.	REVISION	BY DATE	NOTES	
			1. RESISTORS MARKED * ARE 1% ALL OTHERS ARE 5% UNLESS OTHERWISE MARKED 2. ELECTROLYTIC CAPACITORS ARE µF/MULTS	
A	ORIGIN PRODUCTION	DRP 27-7-98	UNIT TITLE	
1	CONN GND MOD	DRP 9-10-98	L22	
2		PAAT 26-01-99	SHEET 1 OF 3	
			CIRCUIT DIAGRAM	
			LEFT PCB	
			DRAWING No. C3426	
			ISSUE 2	
			ALLEN & HEATH	
			RESEARCH INDUSTRIAL ESTATE	
			PENRYN	
			CORNWALL	
			ENGLAND TR10 8LU	
			ALLEN & HEATH A DIVISION OF HARMON INTERNATIONAL INDUSTRIES LIMITED	
			TEL. (44) (0) 1366 378070	
			FAX. (44) (0) 1366 378079	

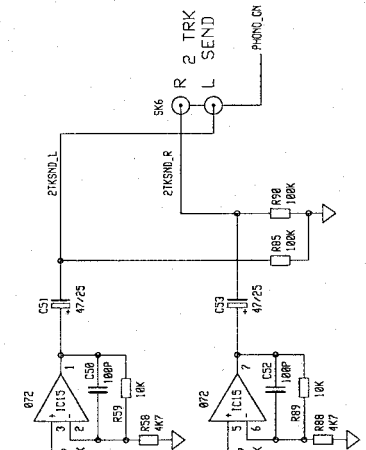
20 WAY MAIN RIBBON



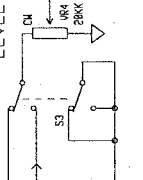
RIGHT (AUX6) BALANCED OUTPUT DRIVER



2 TRK SEND LEVEL



MONOOUT PFL/AFL LEVEL



A B C D E F G H

ISS. A
 1 ORIGIN PRODUCTION
 2 CONN GND MOD

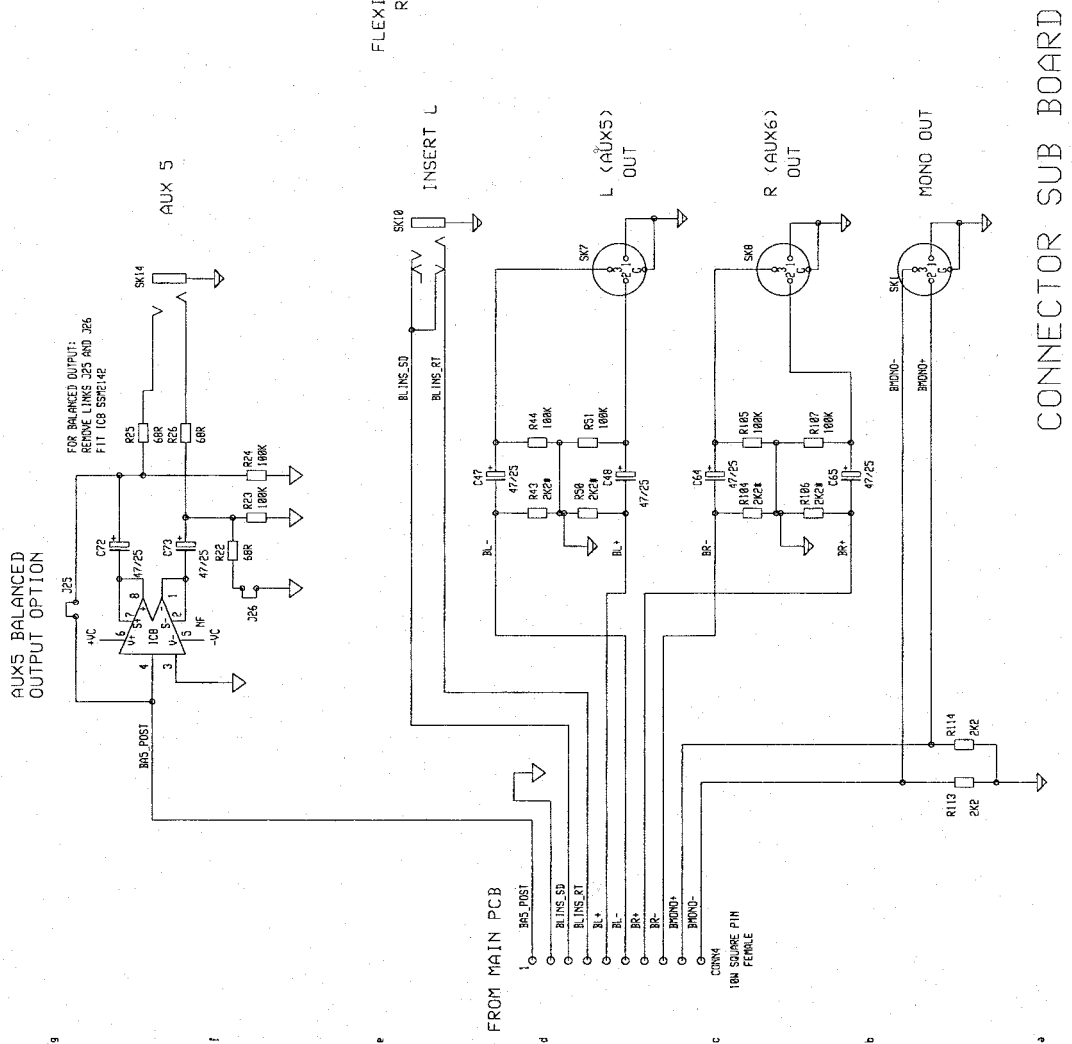
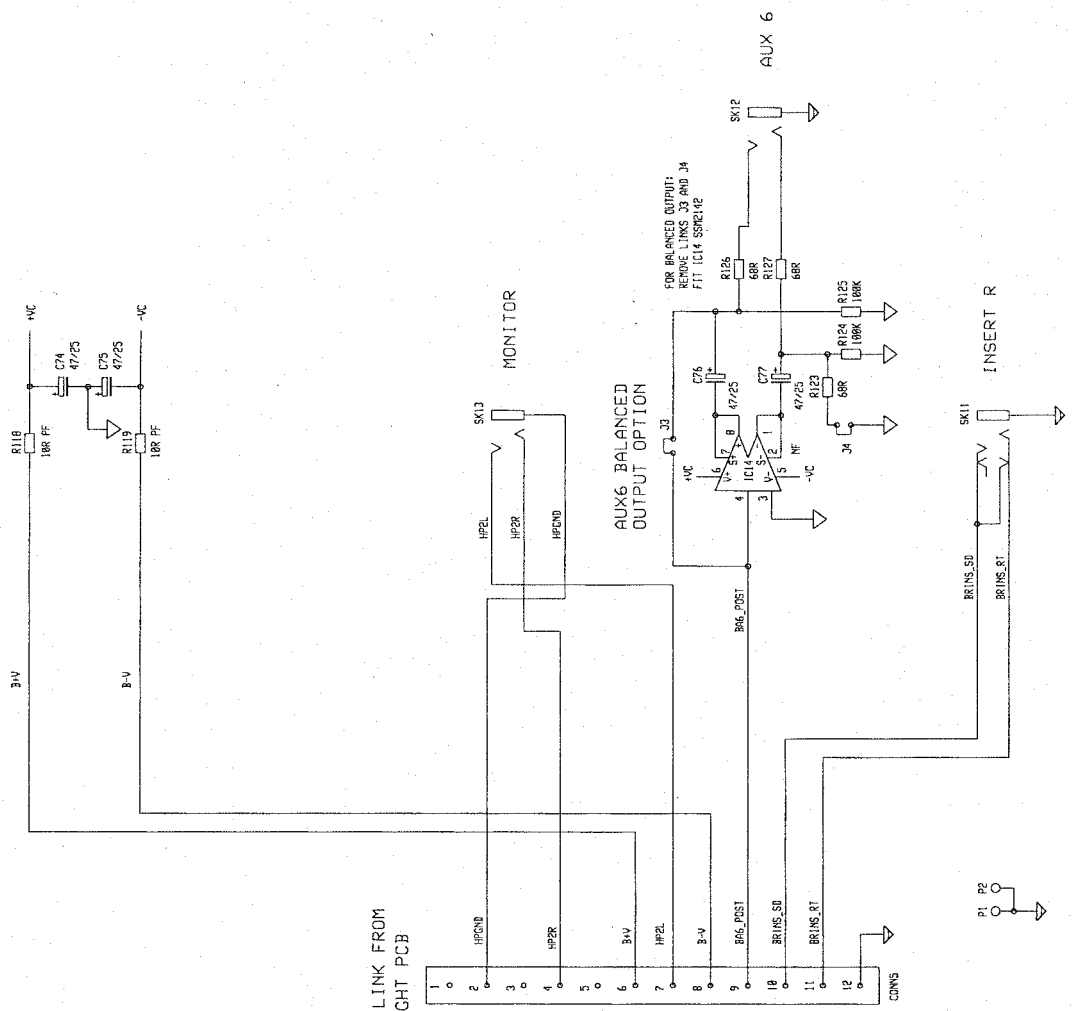
REVISION BY DATE
 DRP 27-7-98
 DRP 9-10-98
 AAT 26-01-99

UNIT TITLE
 L22 SHEET 2 OF 3
 CIRCUIT DIAGRAM
 LEFT PCB

NOTES
 1. RESISTORS MARKED * ARE 1%
 ALL OTHERS ARE 5% UNLESS OTHERWISE MARKED
 2. ELECTROLYTIC CAPACITORS ARE µF/ALTS

ALLEN & HEATH
 KERRICK INDUSTRIAL ESTATE
 PENRYN
 CORNWALL TR18 9LU
 ALLEN & HEATH A DIVISION OF HARMAN INTERNATIONAL INDUSTRIES LIMITED
 BRANCHING NO. C3426
 ISSUE 2

TEL: (44) (0) 1286 372078
 FAX: (44) (0) 1286 377097

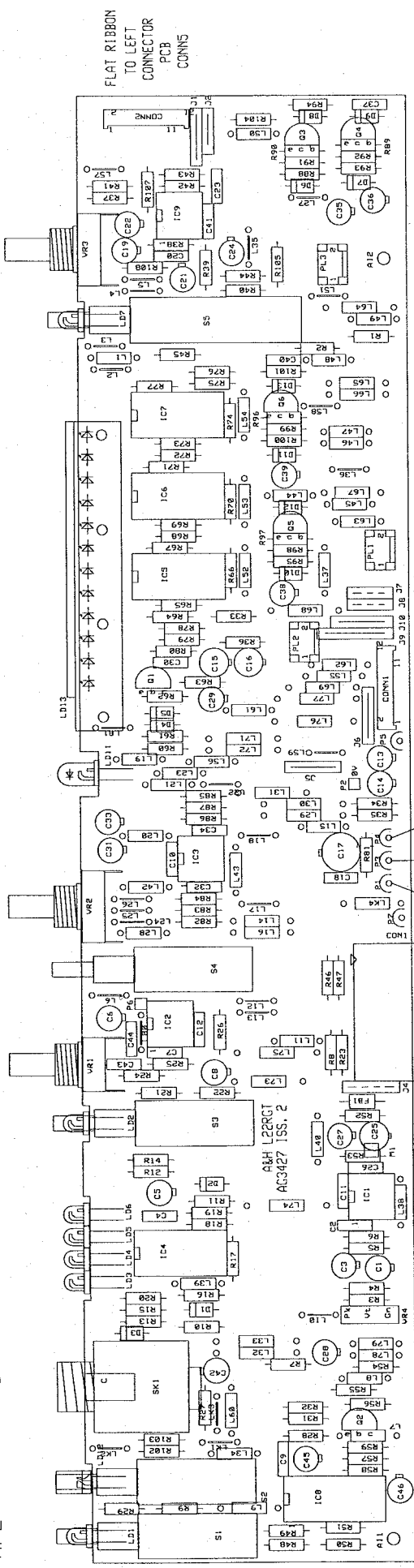


CONNECTOR SUB BOARD

ISS.	REVISION	BY	DATE	NOTES
A	ORIGIN	DRP	27-7-98	1. RESISTORS MARKED * ARE 1% ALL OTHERS ARE 5% 1/4W UNLESS OTHERWISE MARKED
1	PRODUCTION	DRP	9-10-98	2. ELECTROLYTIC CAPACITORS ARE µF/VOLTS
2	CONN GND MOD	AAT	26-01-99	

UNIT TITLE		L22	SHEET 3 OF 3
DRAWING TITLE		CIRCUIT DIAGRAM LEFT PCB	
DRAWING No.		C3426	ISSUE 2
ALLEN & HEATH		TEL. (44) (0) 1326 378278 FAX. (44) (0) 1326 378978	
PERVIX INDUSTRIAL ESTATE		ENGLAND TR18 9LU	
CORNWALL		ALLEN & HEATH, A DIVISION OF HARROCK INTERNATIONAL, INDUSTRIES LIMITED.	

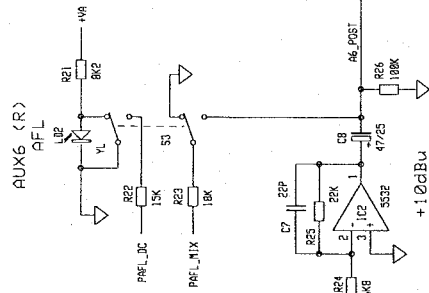
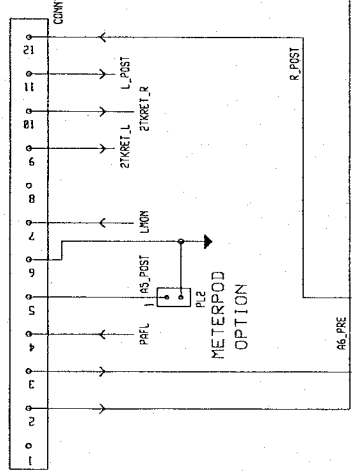
R AFL HPHONE S 0 6 P R METER AUX6 LR/ HP 2 TRK TO LR LEVEL
 R/PAFL METER PAFL



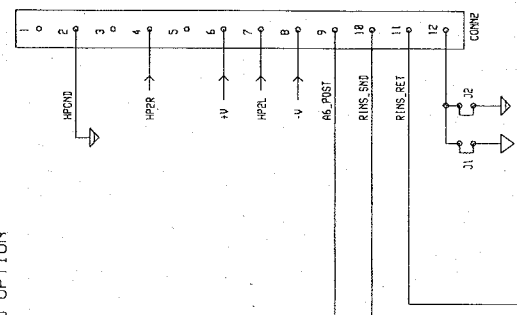
FLAT RIBBON TO LEFT PCB CONNE
 MAIN IDC RA BL YEL

FLAT RIBBON
 TO LEFT
 CONNECTOR
 PCB
 CONNS

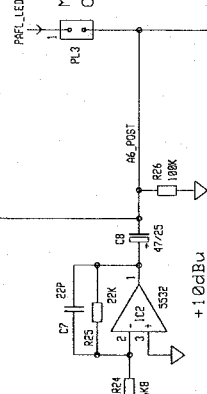
FLEXI LINK TO LEFT PCB



FLEXI LINK TO LEFT CONNECTOR PCB

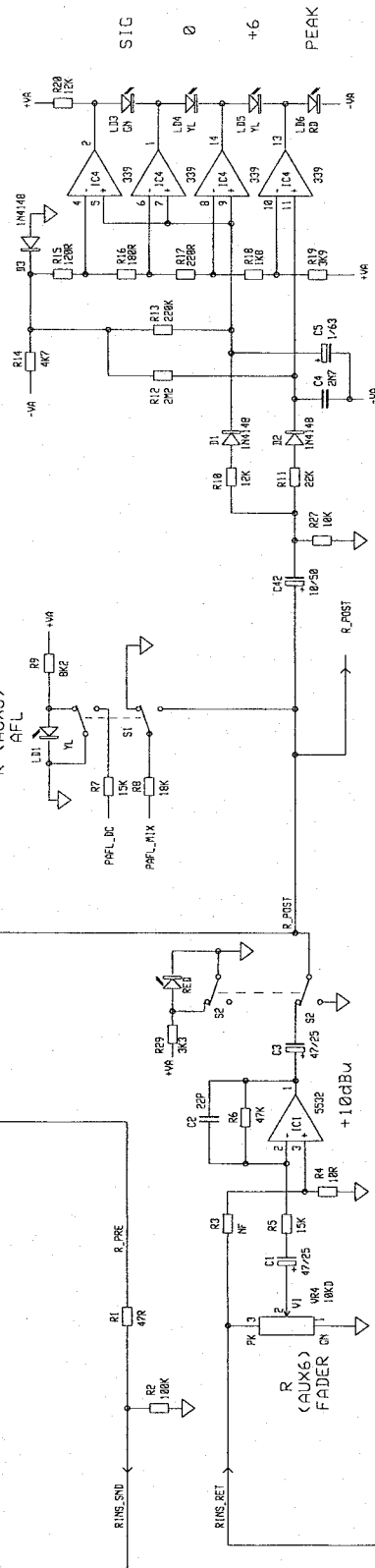


METERPOD OPTION

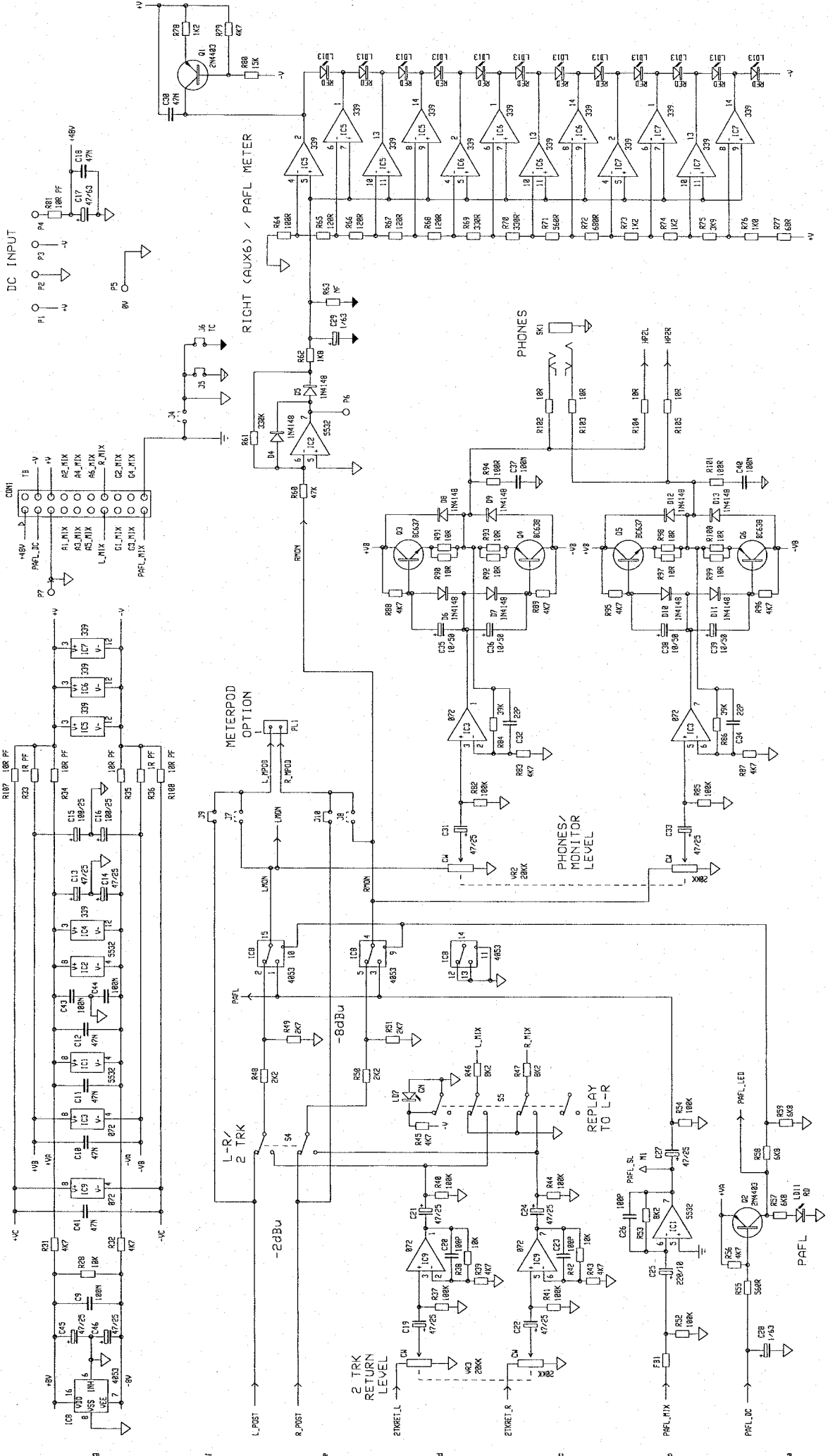


R (AUX6) METER

R (AUX6) AFL



ISS.	REVISION	BY	DATE	NOTES	UNIT TITLE	SHT 1 OF 2	MANUFACTURED IN ENGLAND BY ALLEN & HEATH A DIVISION OF HARMON INTERNATIONAL INDUSTRIES LTD DRAWING No. C3427 ISSUE 2
	1	PRODUCTION	AAI	12-08-98	L22	RIGHT PCB	
2	UPDATES	ARJ	13-1-99	1. RESISTORS MARKED * ARE 1% ALL OTHERS ARE 5% 1/4W UNLESS OTHERWISE MARKED 2. ELECTROLYTIC CAPACITORS ARE µF/VOLTS			PCB TYPE AC3427



DC INPUT

CON1

METERPOD OPTION

2 TRK RETURN LEVEL

2 TRK

PHONES / MONITOR LEVEL

RIGHT (AUX6) / PAFL METER

PHONES

REPLAY TO L-R

PAFL LED

MANUFACTURED IN ENGLAND BY

UNIT TITLE

L22

SHT 2 OF 2

RIGHT PCB

PCB TYPE AG3427

ISS.

A ORIGIN PRODUCTION UPDATES

BY DATE

- NOTES
1. RESISTORS MARKED * ARE 1% ALL OTHERS ARE 5% 1/4W UNLESS OTHERWISE MARKED
 2. ELECTROLYTIC CAPACITORS ARE µF-VOLTS

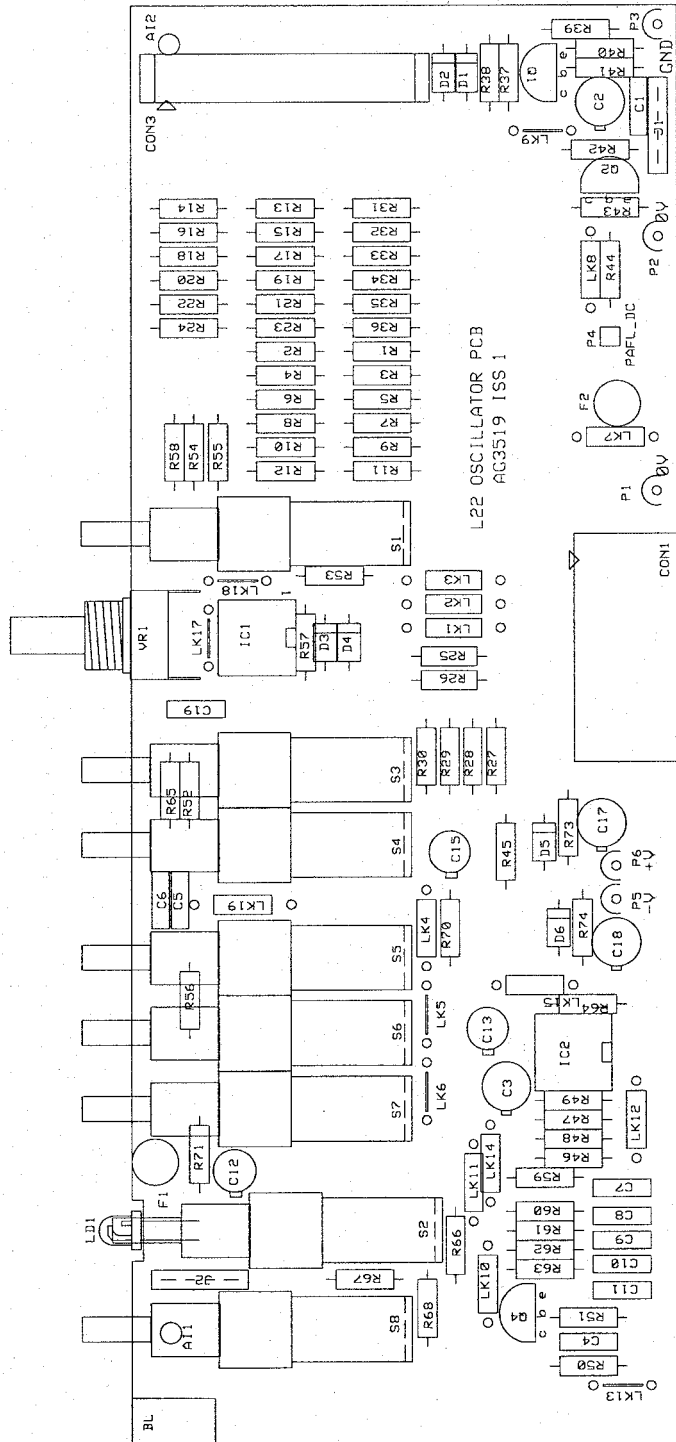
AAT12-08-98
 AB19-10-98
 AR3 13-1-99

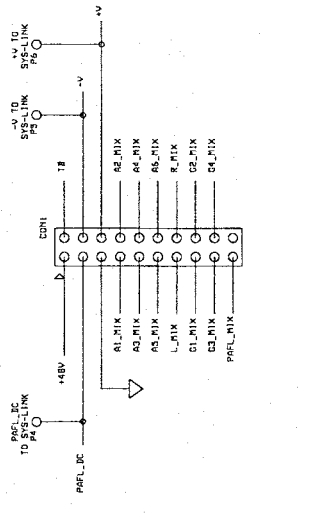
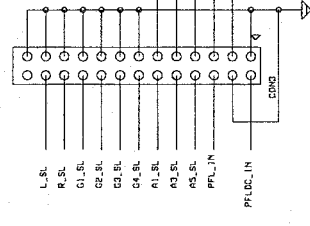
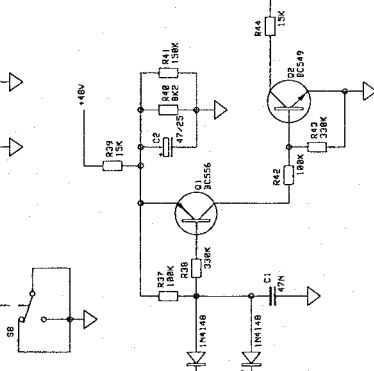
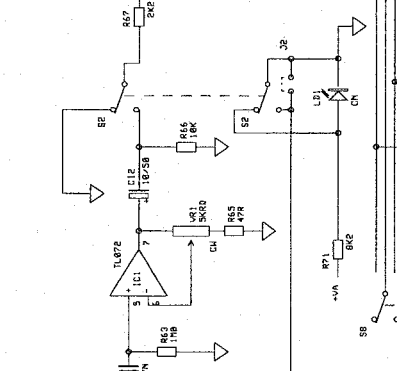
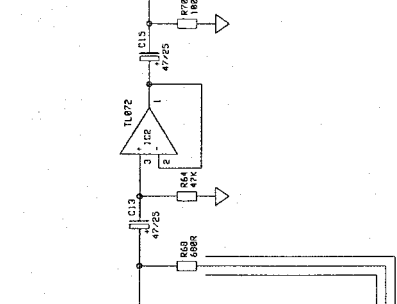
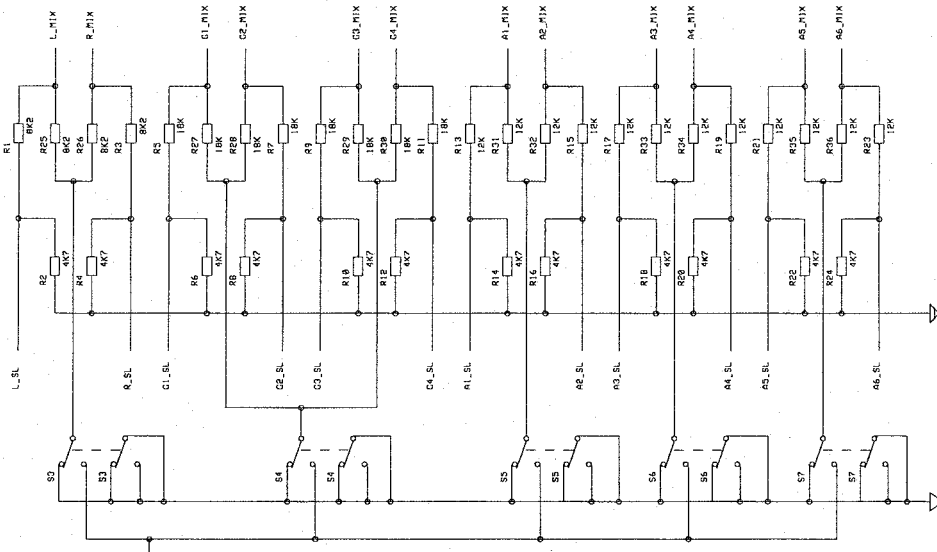
ALLEN & HEATH

A DIVISION OF HARMON INTERNATIONAL INDUSTRIES LTD

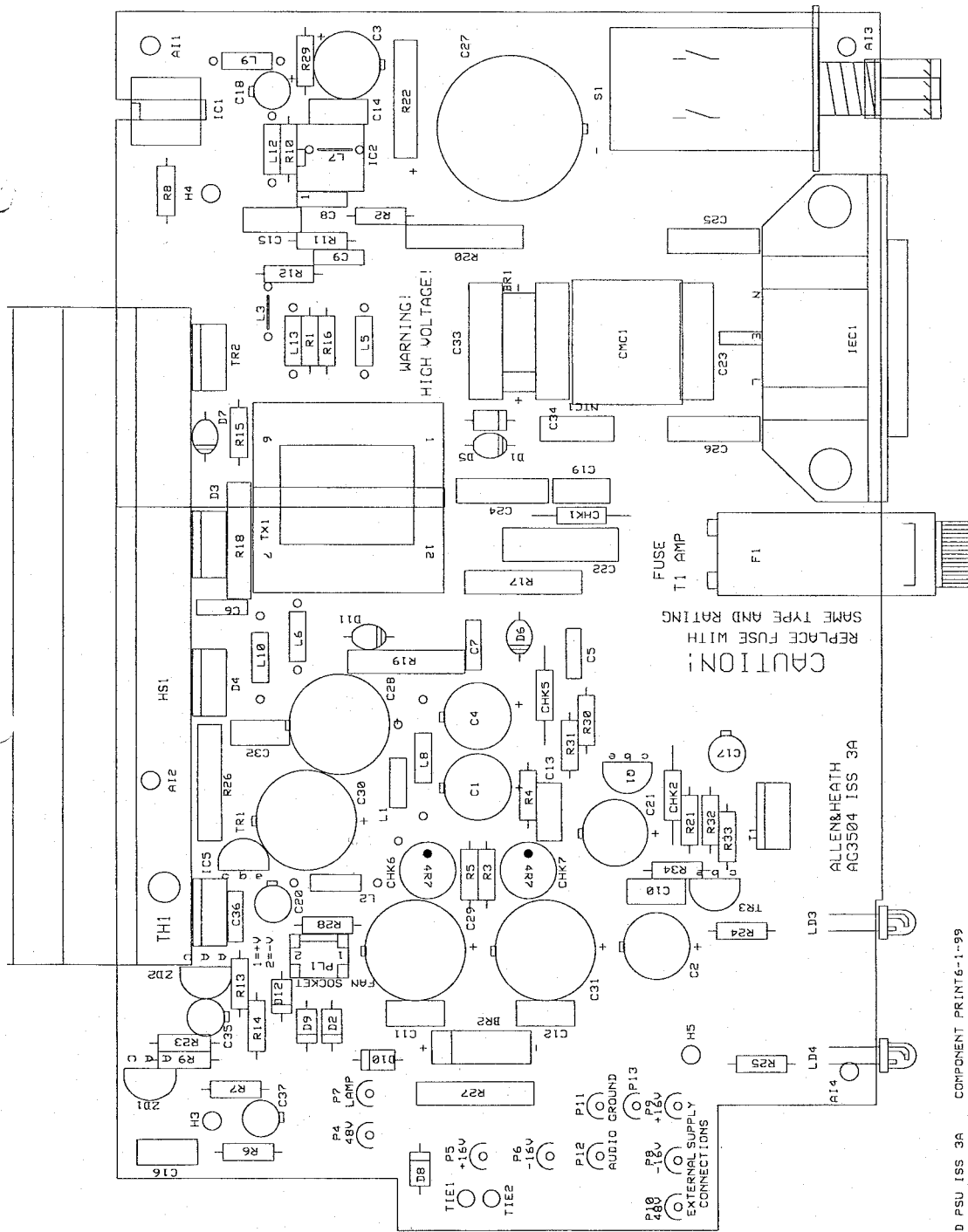
DRAWING No. C3427 ISSUE 2

A2

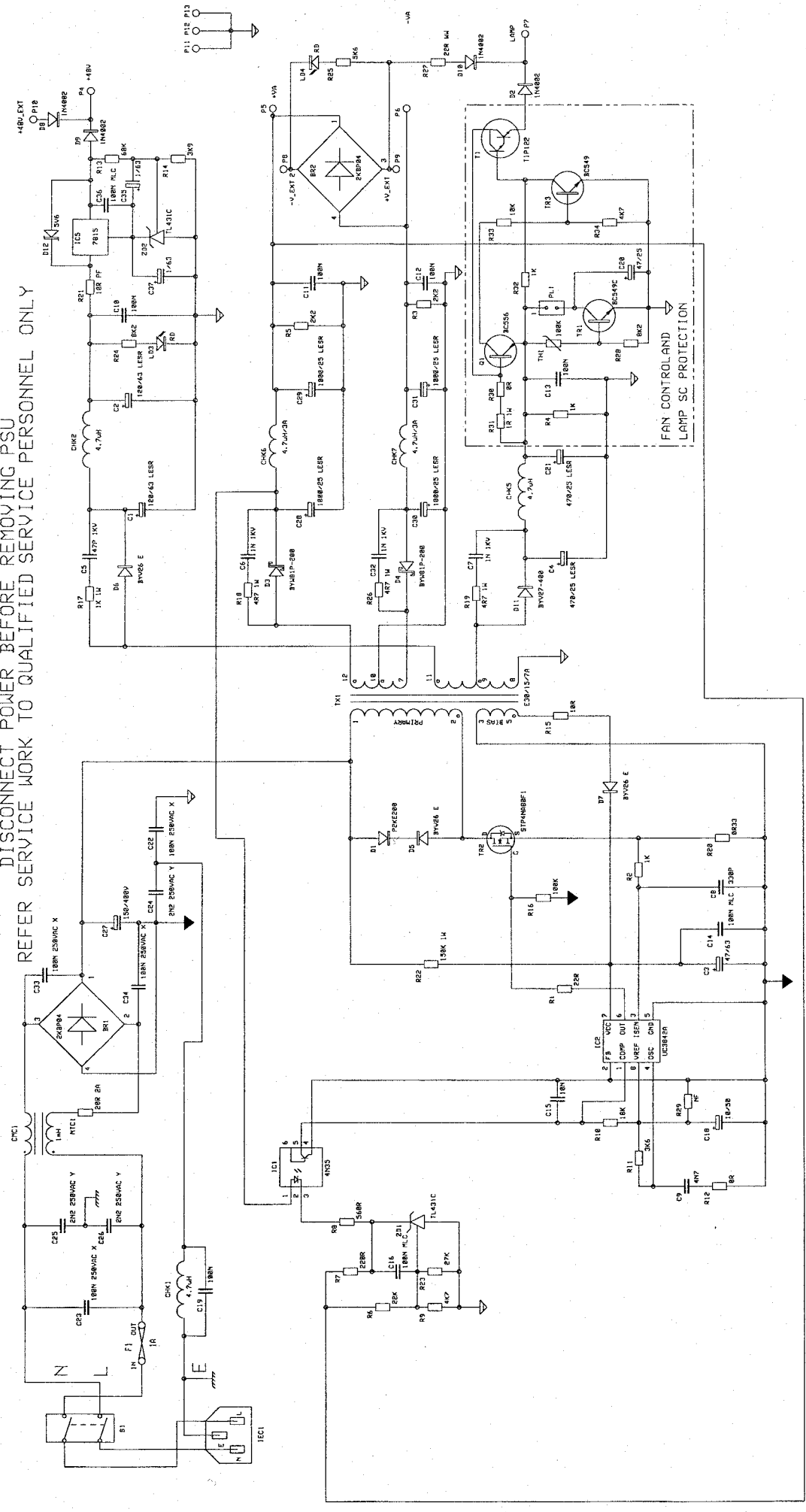




ISS.	REVISION	BY	DATE	NOTES	A	B	C	D	E	F	G	H
1	ORIGIN	AAT	18-08-98	1. RESISTORS MARKED * ARE 1% ALL OTHERS ARE 5% 1/4W UNLESS OTHERWISE MARKED								
2	PRODUCTION	AAT	17-09-98	2. ELECTROLYTIC CAPACITORS ARE JF4015								
	SYS-LINK MOD. (R45) DWD 26-02-99											
UNIT TITLE				GL2200								
DRAWING TITLE				OSC/NOISE/SYS IN								
PCB				PCB TYPE AG3519								
DRAWING No. C3519				ISSUE 2								
ALLEN & HEATH SERVIC INDUSTRIAL ESTATE PERWAY CORNWALL ENGLAND TR10 9U ALLEN & HEATH A DIVISION OF HARMON INTERNATIONAL INDUSTRIES LIMITED.				TEL. (44) (0) 1326 379079 FAX. (44) (0) 1326 379077								



DANGER - HIGH VOLTAGE
 DISCONNECT POWER BEFORE REMOVING PSU
 REFER SERVICE WORK TO QUALIFIED SERVICE PERSONNEL ONLY



ISS.	REVISION	BY	DATE	NOTES
A	PROTOTYPE	ARJ	7-08-98	1. RESISTORS MARKED * ARE 1% ALL OTHERS ARE 5% UNLESS OTHERWISE MARKED
B	REVISED	ARJ	23-9-98	2. ELECTROLYTIC CAPACITORS ARE JF7401'S
1	PRODUCTION	ARJ	12-10-98	
2	UPDATES	ARJ	28-10-98	
3	LAMP PROTECTION	ARJ	25-1-99	

UNIT TITLE	60W PSU
DRAWING TITLE	GL2200
PCB AC3504	MANUFACTURED IN ENGLAND BY ALLEN & HEATH
ISSUE	3
TRANSIC NO.	C3504