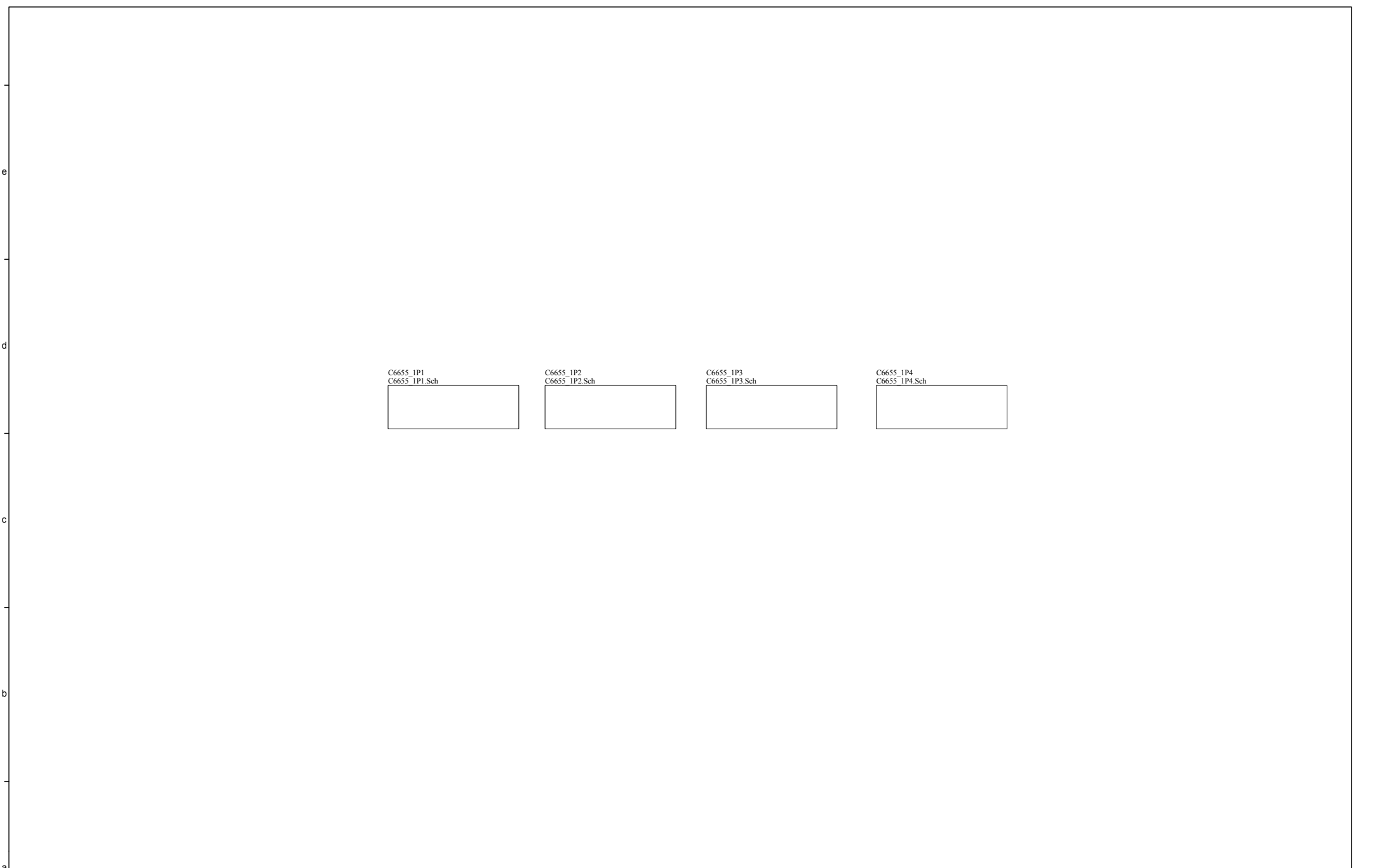


TOP OVERLAY .GTO



C6655_IP1
C6655_IP1.Sch



C6655_IP2
C6655_IP2.Sch



C6655_IP3
C6655_IP3.Sch



C6655_IP4
C6655_IP4.Sch



ALLEN&HEATH

Kernick Industrial Estate,
Penryn, Cornwall,
England. TR10 9LU
Tel: +44 (0)8707 556250
Fax: +44 (0)8707 556251

ISSUE	BY	DATE	CHK BY
A	MG	24/02/06	
B	MG	10/04/06	
1	AAT	26-05-06	XXX

FILE: C6655_1.Sch		PRINTED: 10:25:00 29-Nov-2006	
-------------------	--	-------------------------------	--

TITLE: GL2800M MONO INPUT
PAGE:
DRG No: 6655 ISSUE: 1 SHEET: 0 OF 4

A

B

C

D

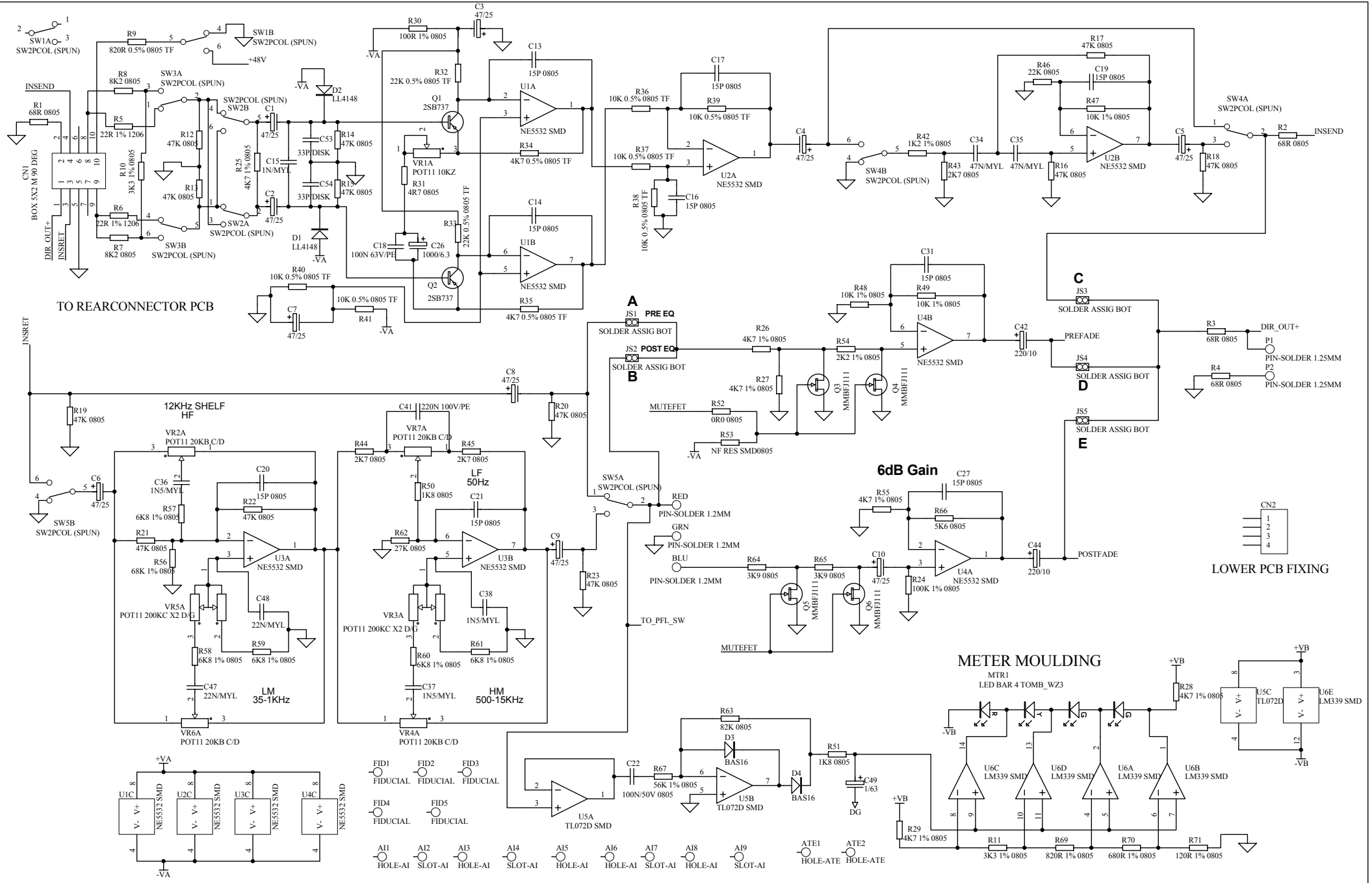
E

F

G

H





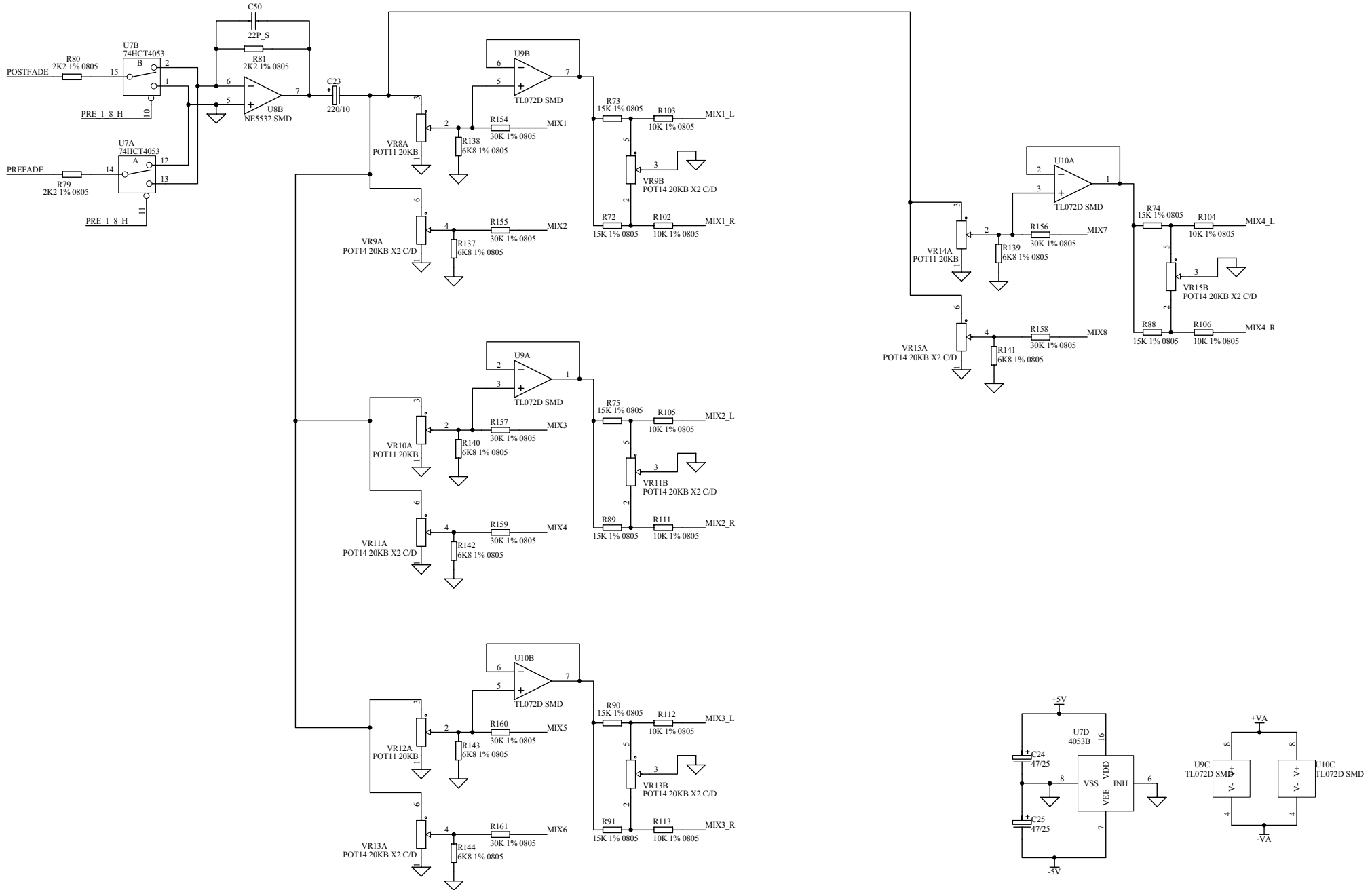
ALLEN&HEATH
 Kernick Industrial Estate,
 Penryn, Cornwall,
 England. TR10 9LU
 Tel: +44 (0)8707 556250
 Fax: +44 (0)8707 556251

ISSUE	BY	DATE	CHK BY
A	MG	24/02/06	
B	MG	10/04/06	
1	AAT	26-05-06	XXX

VR1B	VR2B	VR3B	VR4B	VR5B	VR6B	VR7B
POT11 10KZ	POT11 20KB C/D	POT11 200KC X2 D/G	POT11 20KB C/D	POT11 200KC X2 D/G	POT11 20KB C/D	POT11 20KB C/D
BRK1c	BRK1c	BRK1c	BRK1c	BRK1c	BRK1c	BRK1c

U1C, U2C, U3C, U4C: NE5532 SMD
 FID1-FID5: FIDUCIAL
 A11-A19: HOLE-AI, SLOT-AI
 ATE1-ATE2: HOLE-ATE

TITLE: **GL2800M MONO INPUT**
 PAGE:
 DRG No: 6655 ISSUE: 1 SHEET: 1 OF 4



ALLEN&HEATH

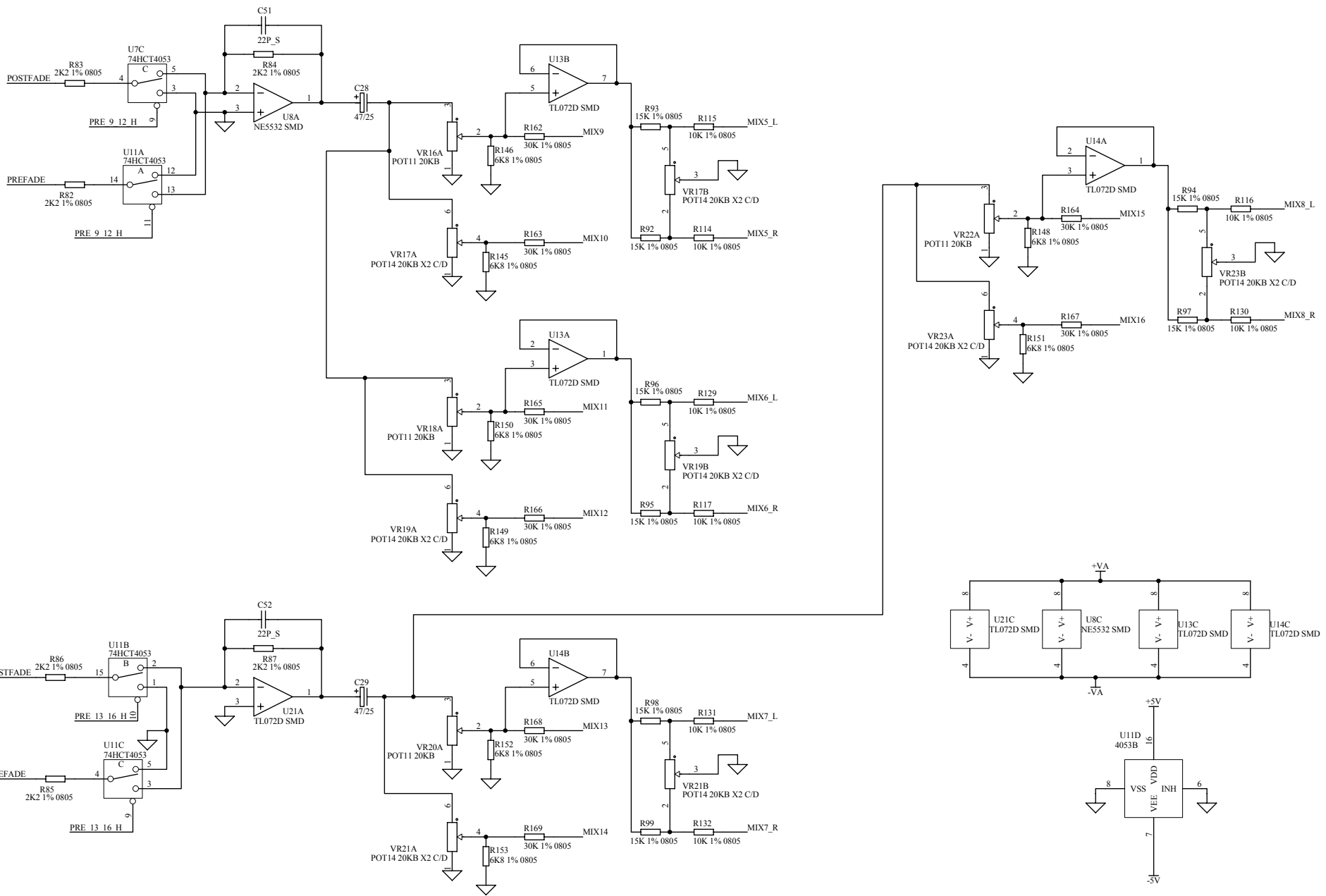
Kernick Industrial Estate,
Penryn, Cornwall,
England. TR10 9LU

Tel: +44 (0)8707 556250
Fax: +44 (0)8707 556251

ISSUE	BY	DATE	CHK BY
A	MG	24/02/06	
B	MG	10/04/06	
1	AAT	26-05-06	XXX

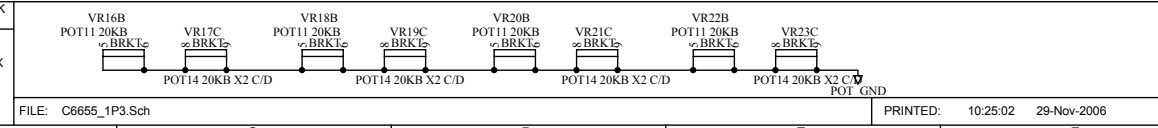
FILE:	PRINTED:
C6655_1P2.Sch	10:25:01 29-Nov-2006

TITLE:	DRG No:	ISSUE:	SHEET:
GL2800M MONO INPUT	6655	1	2 OF 4



ALLEN&HEATH
 Kernick Industrial Estate,
 Penryn, Cornwall,
 England. TR10 9LU
 Tel: +44 (0)8707 556250
 Fax: +44 (0)8707 556251

ISSUE	BY	DATE	CHK BY
A	MG	24/02/06	
B	MG	10/04/06	
1	AAT	26-05-06	XXX

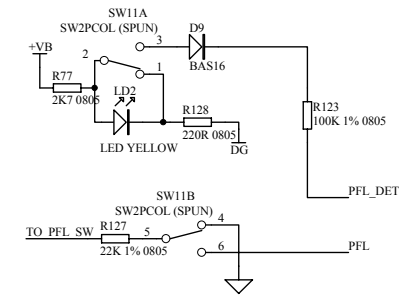
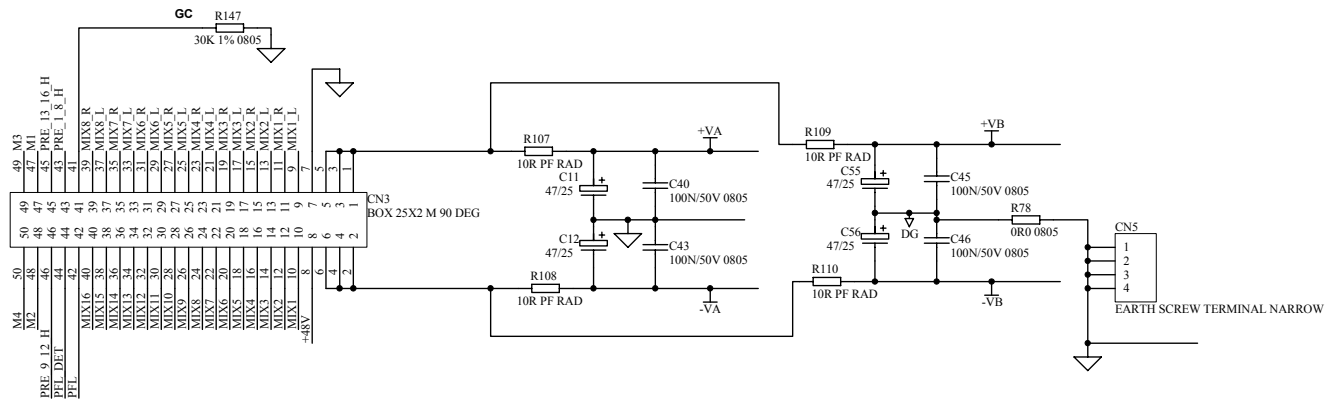
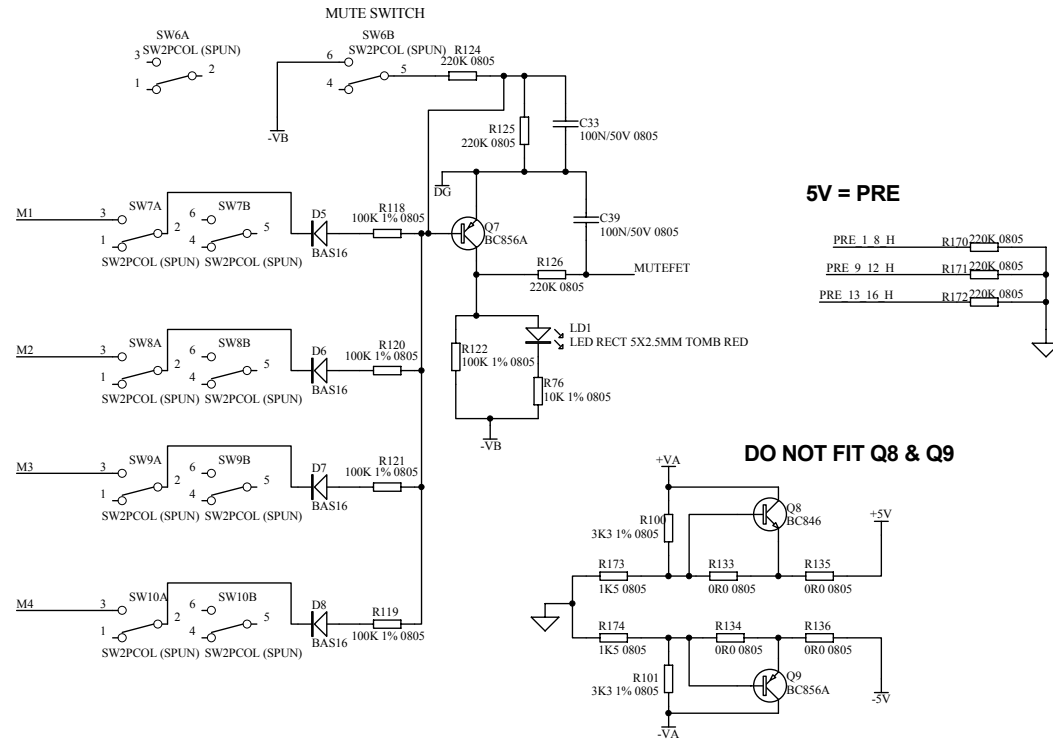


TITLE: **GL2800M MONO INPUT**
 PAGE:
 DRG No: **6655** ISSUE: **1** SHEET: **3 OF 4**

PRINTED: 10:25:02 29-Nov-2006

a
b
c
d
e

A I B C D E F G H



ALLEN&HEATH

Kernick Industrial Estate,
Penryn, Cornwall,
England. TR10 9LU

Tel: +44 (0)8707 556250
Fax: +44 (0)8707 556251

ISSUE	BY	DATE	CHK BY
A	MG	24/02/06	
B	MG	10/04/06	
1	AAT	26-05-06	XXX

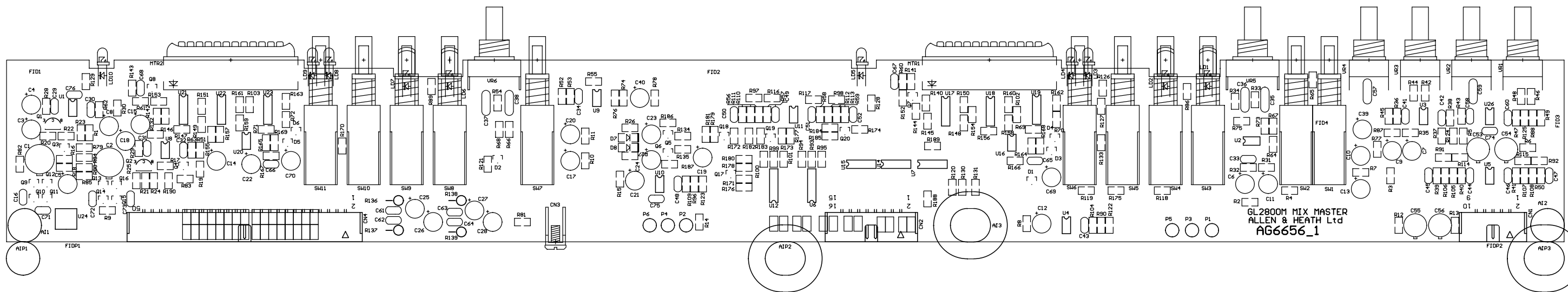
FILE: C6655_1P4.Sch

PRINTED: 10:25:02 29-Nov-2006

TITLE: GL2800M MONO INPUT

PAGE:

DRG No: 6655 ISSUE: 1 SHEET: 4 OF 4



TOP OVERLAY

.GTO

C6656_1P1
C6656_1P1.Sch



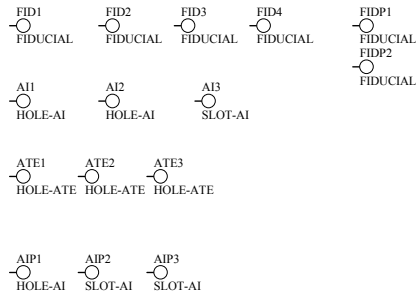
C6656_1P2
C6656_1P2.Sch



C6656_1P3
C6656_1P3.Sch



C6656_1P4
C6656_1P4.Sch



ALLEN&HEATH

Kernick Industrial Estate,
Penryn, Cornwall,
England. TR10 9LU
Tel: +44 (0)8707 556250
Fax: +44 (0)8707 556251

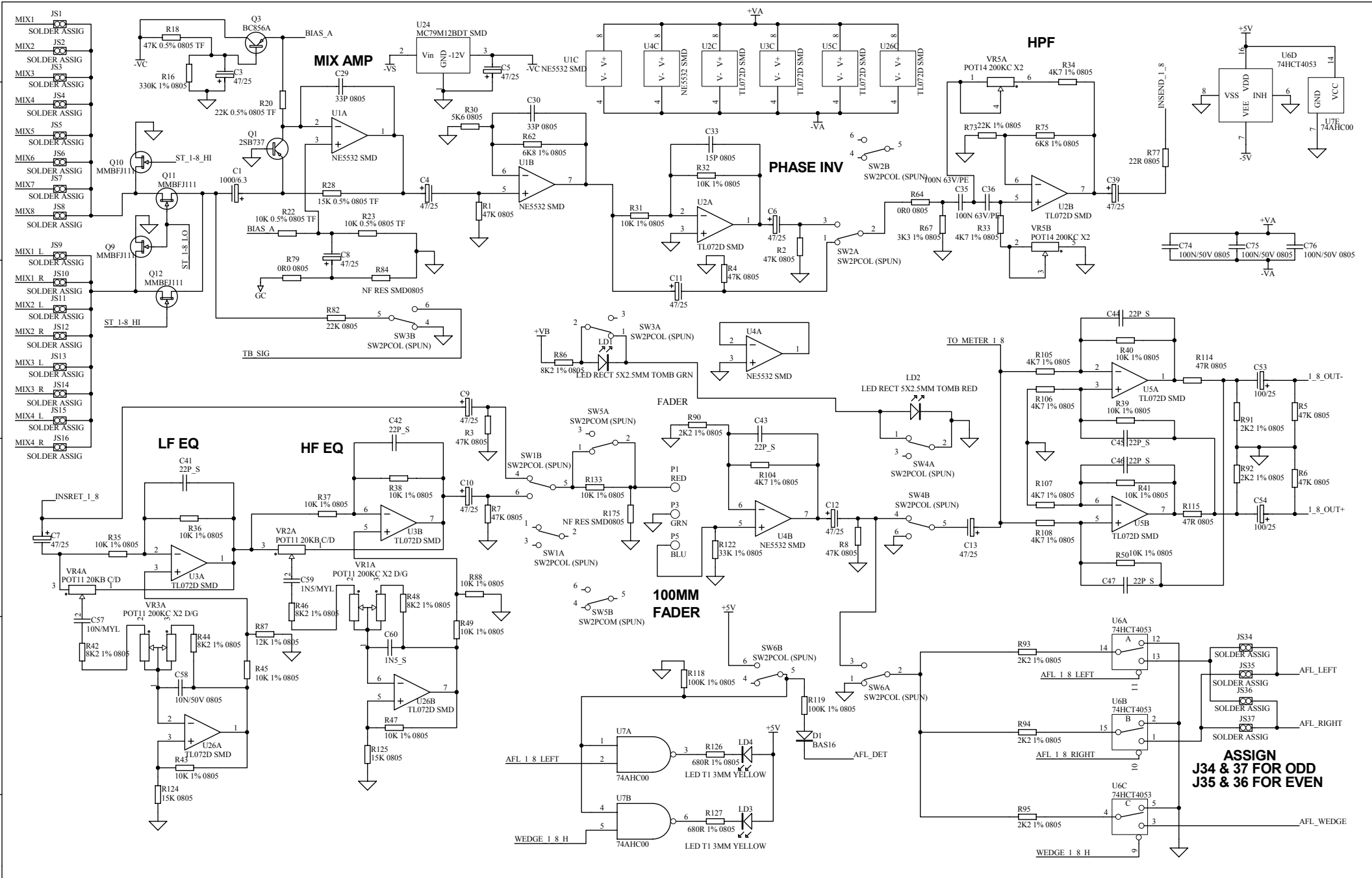
ISSUE	BY	DATE	CHK BY
A	MG	03-03-06	XXX
B	MG	19-04-06	XXX
1	MG	11-05-06	XXX

FILE: C6656_1.Sch		PRINTED: 10:17:50 29-Nov-2006	
-------------------	--	-------------------------------	--

TITLE: GL2800M MIX MASTER
PAGE:
DRG No: C6656 ISSUE: 1 SHEET: 0 OF 4

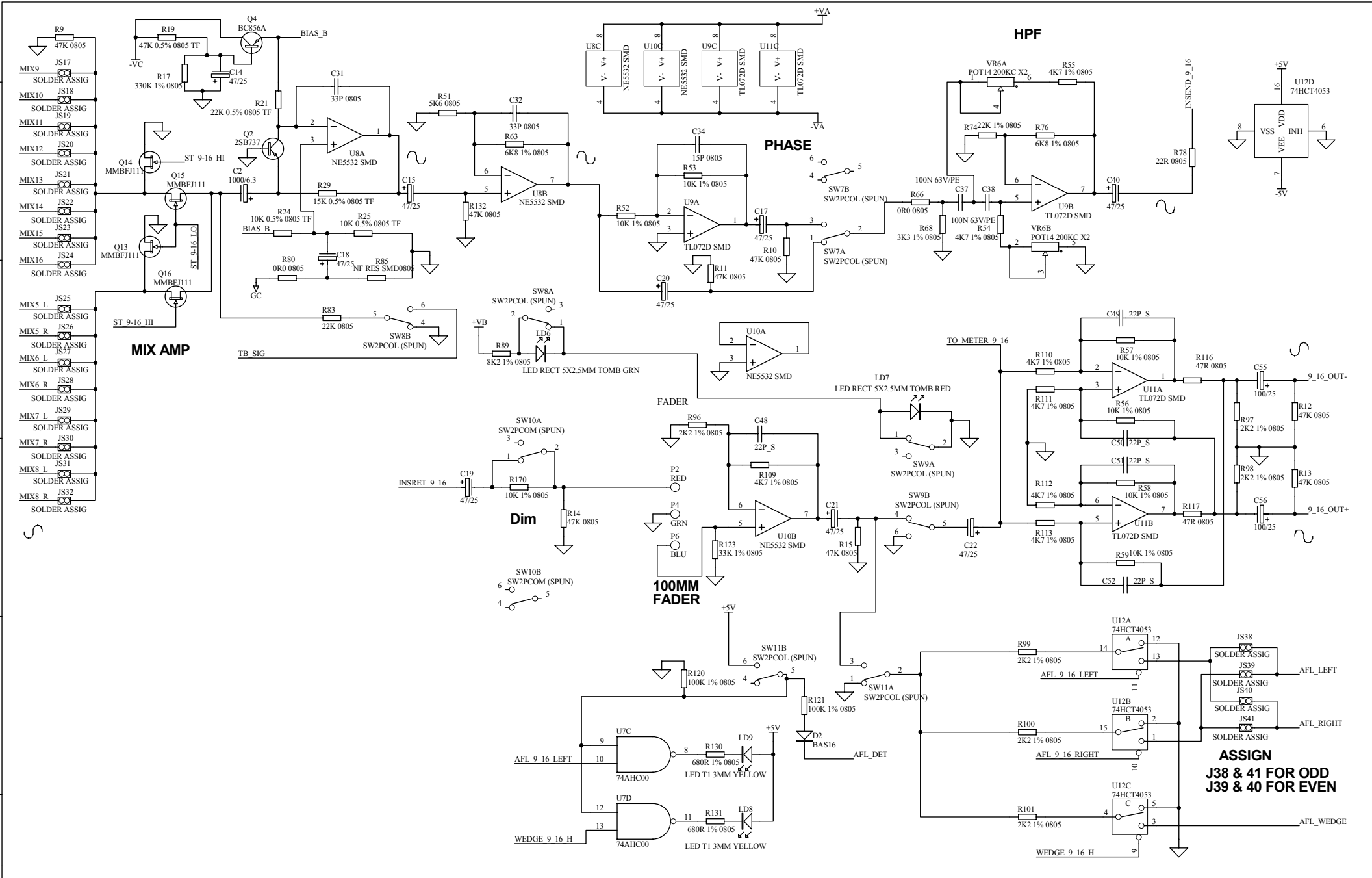
A I B C D E F G H





ALLEN&HEATH Kernick Industrial Estate, Penryn, Cornwall, England. TR10 9LU Tel: +44 (0)8707 556250 Fax: +44 (0)8707 556251	ISSUE	BY	DATE	CHK BY	VR1B	VR2B	VR3B	VR4B	VR5C	TITLE: GL2800M MIX MASTER PAGE: DRG No: C6656 ISSUE: 1 SHEET: 1 OF 4
	A	MG	03/03/06	XXX	POT11 200K X2 D/GRK	POT11 200K C/D	POT11 200K X2 D/GRK	POT11 200K X2 D/GRK	POT14 200K X2	
	B	MG	19-04-06	XXX						PRINTED: 10:17:51 29-Nov-2006
	1	MG	11-05-06	XXX						FILE: C6656_1P1.Sch

**ASSIGN
J34 & 37 FOR ODD
J35 & 36 FOR EVEN**



ALLEN&HEATH
 Kernick Industrial Estate,
 Penryn, Cornwall,
 England. TR10 9LU
 Tel: +44 (0)8707 556250
 Fax: +44 (0)8707 556251

ISSUE	BY	DATE	CHK BY
A	MG	03/03/06	XXX
B	MG	19-04-06	XXX
1	MG	11-05-06	XXX

FILE: C6656_1P2.Sch

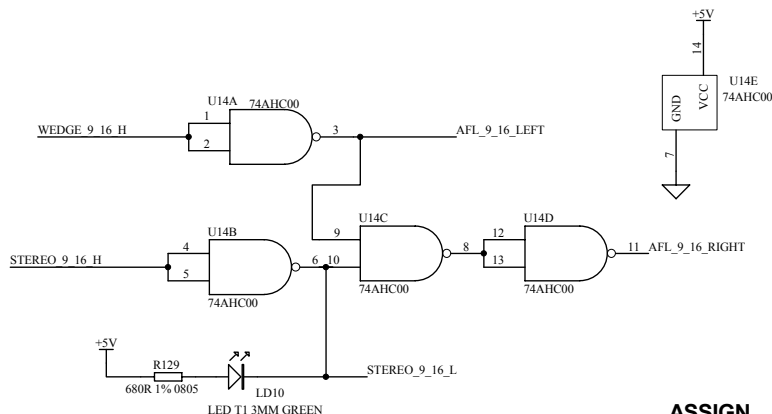
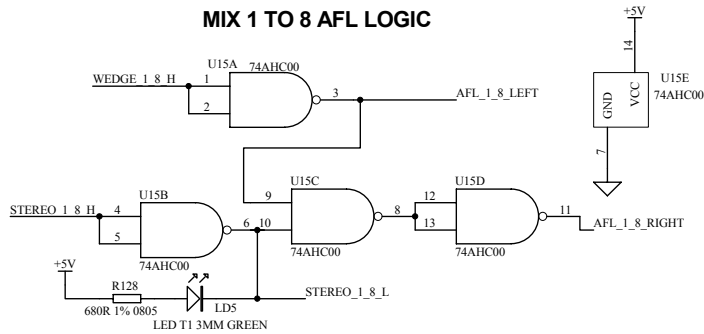
VR6C
 POT14 200KC X2

PRINTED: 10:17:52 29-Nov-2006

TITLE: **GL2800M MIX MASTER**
 PAGE:
 DRG No: **C6656** ISSUE: 1 SHEET: 2 OF 4

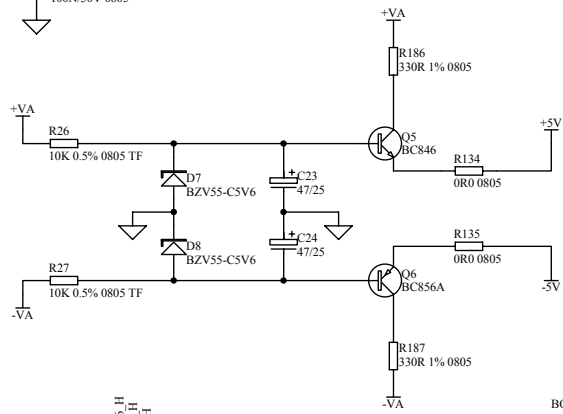
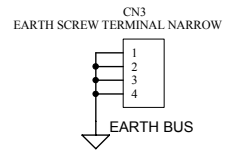
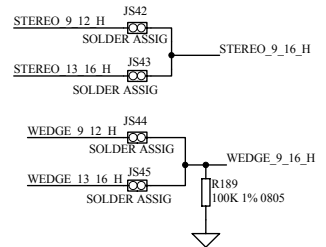
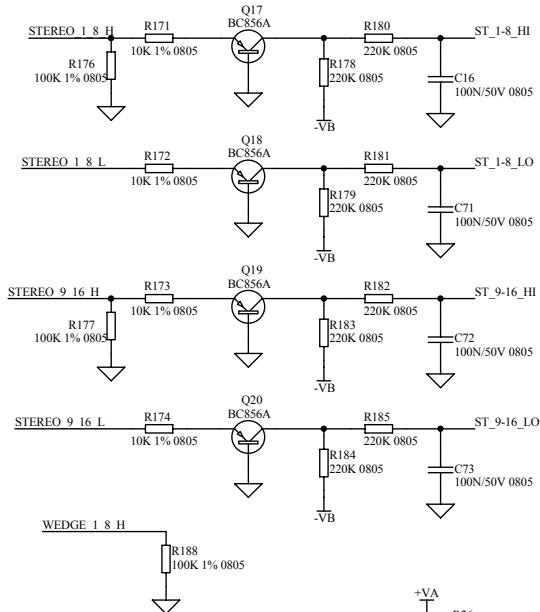
ASSIGN
J38 & 41 FOR ODD
J39 & 40 FOR EVEN

MIX 1 TO 8 AFL LOGIC

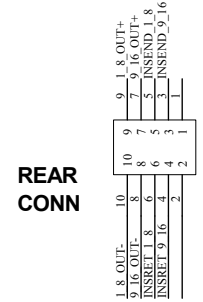


ASSIGN
J42 & 44 FOR 9-12
J43 & 45 FOR 13-16

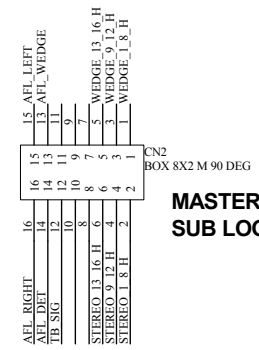
LEVEL SHIFTERS



BOX 5X2 M 90 DEG

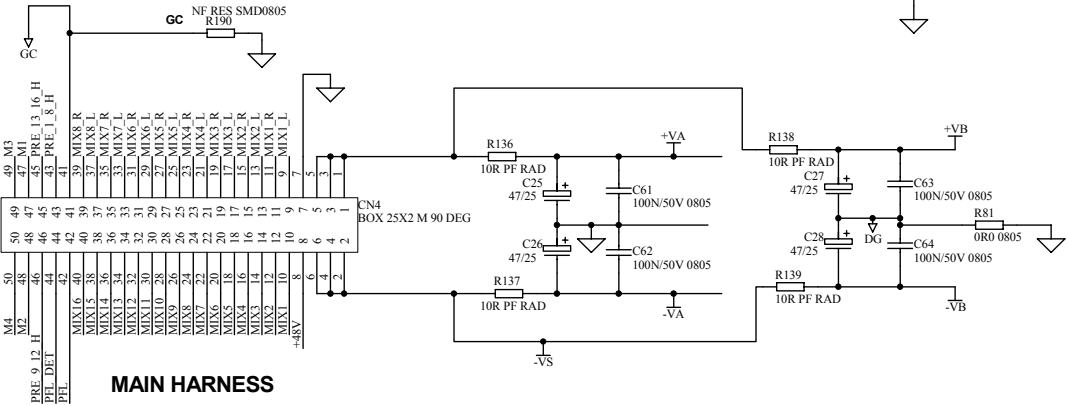


To Master Connector PCB



MASTER SECTION SUB LOOM

REAR CONN



MAIN HARNESS

ALLEN&HEATH
 Kernick Industrial Estate,
 Penryn, Cornwall,
 England. TR10 9LU
 Tel: +44 (0)8707 556250
 Fax: +44 (0)8707 556251

ISSUE	BY	DATE	CHK BY
A	MG	03/03/06	XXX
B	MG	19-04-06	XXX
1	MG	11-05-06	XXX

FILE: C6656_1P3.Sch

PRINTED: 10:17:52 29-Nov-2006

TITLE: **GL2800M MIX MASTER**
 PAGE:
 DRG No: **C6656** ISSUE: **1** SHEET: **3 OF 4**

a

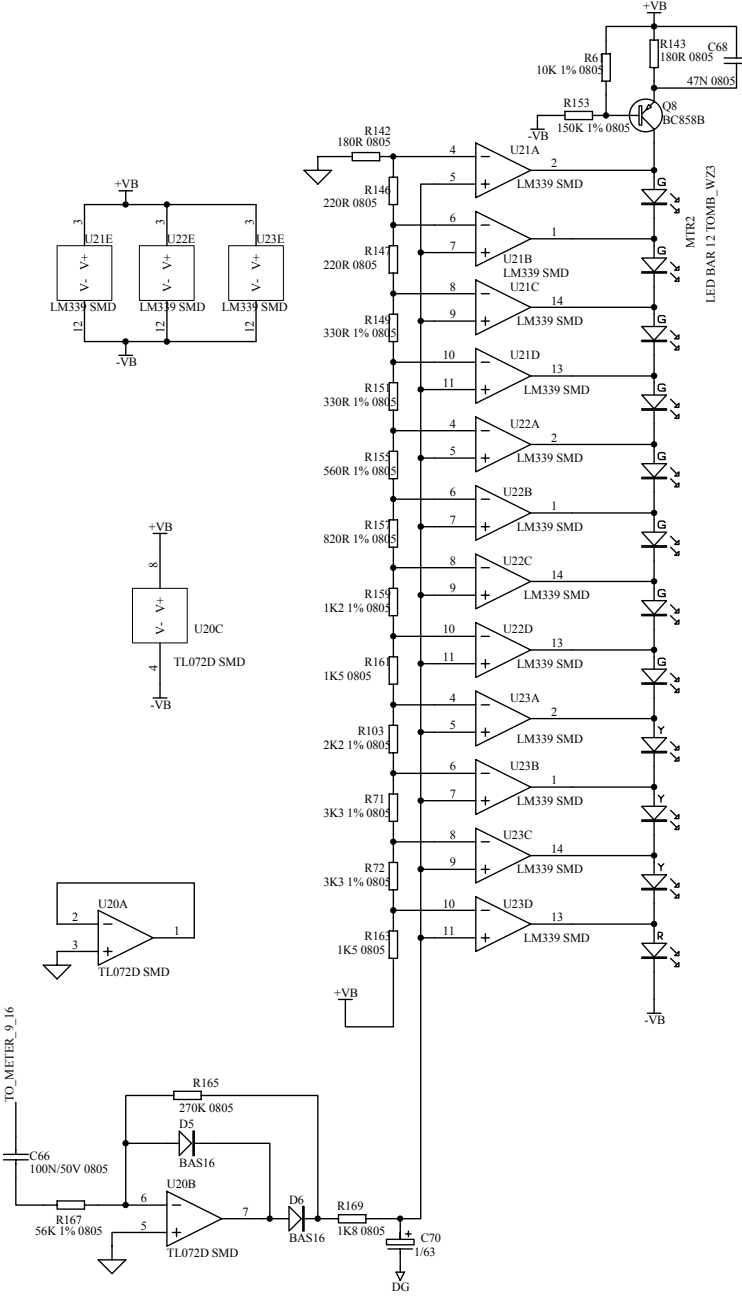
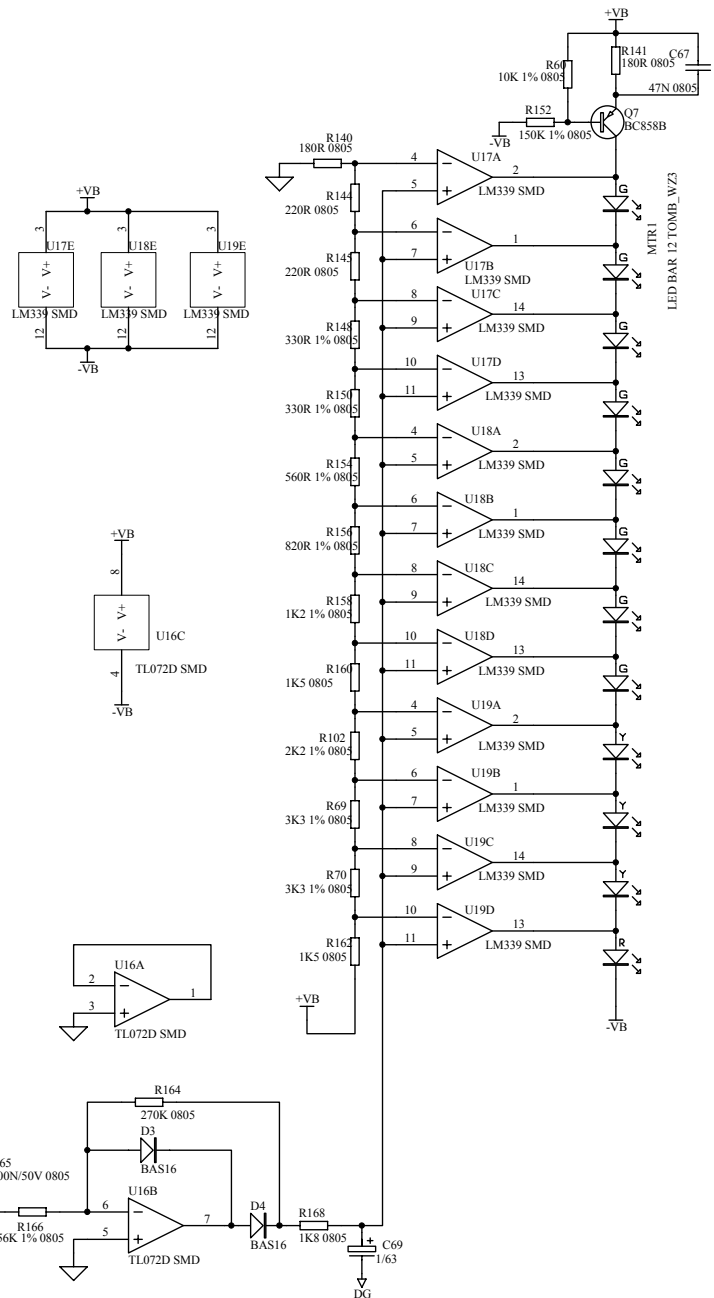
b

c

d

e

A B C D E F G H



ALLEN&HEATH

Kernick Industrial Estate,
Penryn, Cornwall,
England. TR10 9LU
Tel: +44 (0)8707 556250
Fax: +44 (0)8707 556251

ISSUE	BY	DATE	CHK BY
A	MG	03/03/06	XXX
B	MG	19-04-06	XXX
1	MG	11-05-06	XXX

FILE: C6656_1P4.Sch

TITLE: **GL2800M MIX MASTER**

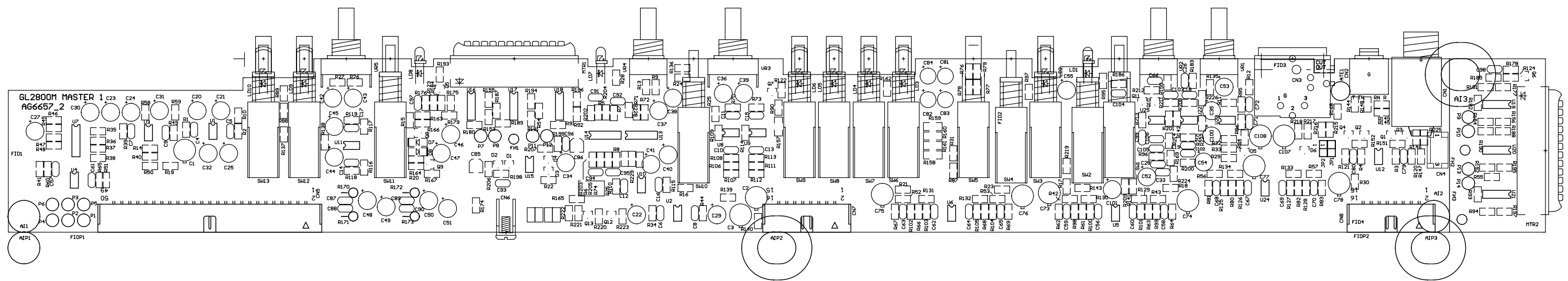
PAGE:







DRG No: **C6656** ISSUE: **1** SHEET: **4 OF 4**

PRINTED: 10:17:53 29-Nov-2006

A B C D E F G H



ALLEN & HEATH Limited		Allen & Heath Limited Kemick Industrial Estate, Penryn, Cornwall, TR10 9LU, UK. TEL: +44 (0)870 7556250 FAX: +44 (0)870 7556251 WWW: http://www.allen-heath.com																					
ENGINEER: Mike Griffin PHONE: (01328) 370117	TITLE: GLM2800 MASTER 1	REVISION HISTORY	OVERALL SIZE: 488x55mm/Circuit 488x235mm/Panel MATERIAL: 1/16" FR4 1oz Cu. DSPTH FINISH: SILVER OR HASL																				
ENGINEER: PHONE: (01328) 370117	PART NO: AG6657	<table border="1"> <thead> <tr> <th>ISSUE</th> <th>BY</th> <th>DATE</th> <th>CHKD BY</th> </tr> </thead> <tbody> <tr> <td>1</td> <td>MG</td> <td>13/03/06</td> <td>MG</td> </tr> <tr> <td>1</td> <td>MA1</td> <td>27/04/06</td> <td>AT</td> </tr> <tr> <td>2</td> <td>MG</td> <td>26/05/06</td> <td>MG</td> </tr> <tr> <td>2</td> <td>MG</td> <td>21/07/06</td> <td>MG</td> </tr> </tbody> </table>	ISSUE	BY	DATE	CHKD BY	1	MG	13/03/06	MG	1	MA1	27/04/06	AT	2	MG	26/05/06	MG	2	MG	21/07/06	MG	NOTES:  ROUTE HATCHED AREAS AS SHOWN  SCORE WHERE INDICATED DOUBLE SIDED PTH
ISSUE	BY	DATE	CHKD BY																				
1	MG	13/03/06	MG																				
1	MA1	27/04/06	AT																				
2	MG	26/05/06	MG																				
2	MG	21/07/06	MG																				
FILE NAME: AG6657_2.PCB	LAYER: TOP OVERLAY	GERBER: GTO	DRILL DRAWING: AG6657_2.GD1 NCD FILE: AG6657_2.TXT TOP PASTE MASK: AG6657_2.GTP MANUFACTURER TO PUT IDENT AND BATCH CODE FOR TRACEABILITY																				

ENGINEER: Mike Griffin PHONE: (01328) 370117	TITLE: GLM2800 MASTER 1	REVISION HISTORY <table border="1"> <thead> <tr> <th>ISSUE</th> <th>BY</th> <th>DATE</th> <th>CHKD BY</th> </tr> </thead> <tbody> <tr> <td>1</td> <td>MG</td> <td>13/03/06</td> <td>MG</td> </tr> <tr> <td>1</td> <td>MA1</td> <td>27/04/06</td> <td>AT</td> </tr> <tr> <td>2</td> <td>MG</td> <td>26/05/06</td> <td>MG</td> </tr> <tr> <td>2</td> <td>MG</td> <td>21/07/06</td> <td>MG</td> </tr> </tbody> </table>	ISSUE	BY	DATE	CHKD BY	1	MG	13/03/06	MG	1	MA1	27/04/06	AT	2	MG	26/05/06	MG	2	MG	21/07/06	MG	OVERALL SIZE: 488x55mm/Circuit 488x235mm/Panel MATERIAL: 1/16" FR4 1oz Cu. DSPTH FINISH: SILVER OR HASL
ISSUE	BY	DATE	CHKD BY																				
1	MG	13/03/06	MG																				
1	MA1	27/04/06	AT																				
2	MG	26/05/06	MG																				
2	MG	21/07/06	MG																				
ENGINEER: PHONE: (01328) 370117	PART NO: AG6657	DATE: 29-Nov-2006	NOTES:  ROUTE HATCHED AREAS AS SHOWN  SCORE WHERE INDICATED DOUBLE SIDED PTH																				
FILE NAME: AG6657_2.PCB	LAYER: TOP OVERLAY	GERBER: GTO	DRILL DRAWING: AG6657_2.GD1 NCD FILE: AG6657_2.TXT TOP PASTE MASK: AG6657_2.GTP MANUFACTURER TO PUT IDENT AND BATCH CODE FOR TRACEABILITY																				

C6657_2P1
C6657_2P1.Sch



C6657_2P2
C6657_2P2.Sch



C6657_2P3
C6657_2P3.Sch



C6657_2P4
C6657_2P4.Sch



C6657_2P5
C6657_2P5.Sch



FID1 FID2 FID3 FID4
FIDUCIAL FIDUCIAL FIDUCIAL FIDUCIAL

FH1
HOLE-FIXING 3.2MM

A11 A12 A13
HOLE-AI HOLE-AI SLOT-AI

FH2
HOLE-FIXING 3.2MM

FH3
HOLE-FIXING 3.2MM

BO1 BO2 BO3
PCB BREAKOUT S PCB BREAKOUT S PCB BREAKOUT S
BO1_1 BO2_1 BO3_1
PCB BREAKOUT S PCB BREAKOUT S PCB BREAKOUT S
BO1_2 BO2_2 BO3_2
PCB BREAKOUT S PCB BREAKOUT S PCB BREAKOUT S
BO1_3 BO2_3 BO3_3
PCB BREAKOUT S PCB BREAKOUT S PCB BREAKOUT S

ATE1
HOLE-ATE

AIP1 AIP2 AIP3 FIDP1 FIDP2
HOLE-AI SLOT-AI SLOT-AI FIDUCIAL FIDUCIAL

ALLEN&HEATH

Kernick Industrial Estate,
Penryn, Cornwall,
England. TR10 9LU

Tel: +44 (0)8707 556250
Fax: +44 (0)8707 556251

ISSUE	BY	DATE	CHK BY
A	MG	08-03-06	CD
B	MG	24-04-06	CD
1	AAT	26-05-06	MG
2	MG	21-07-06	MG

FILE: C6657_2.Sch

PRINTED: 10:06:14 29-Nov-2006

TITLE: GL2800M MASTER1

PAGE:

DRG No: C6657 ISSUE: 2 SHEET: 0 OF 5

A

I

B

C

D

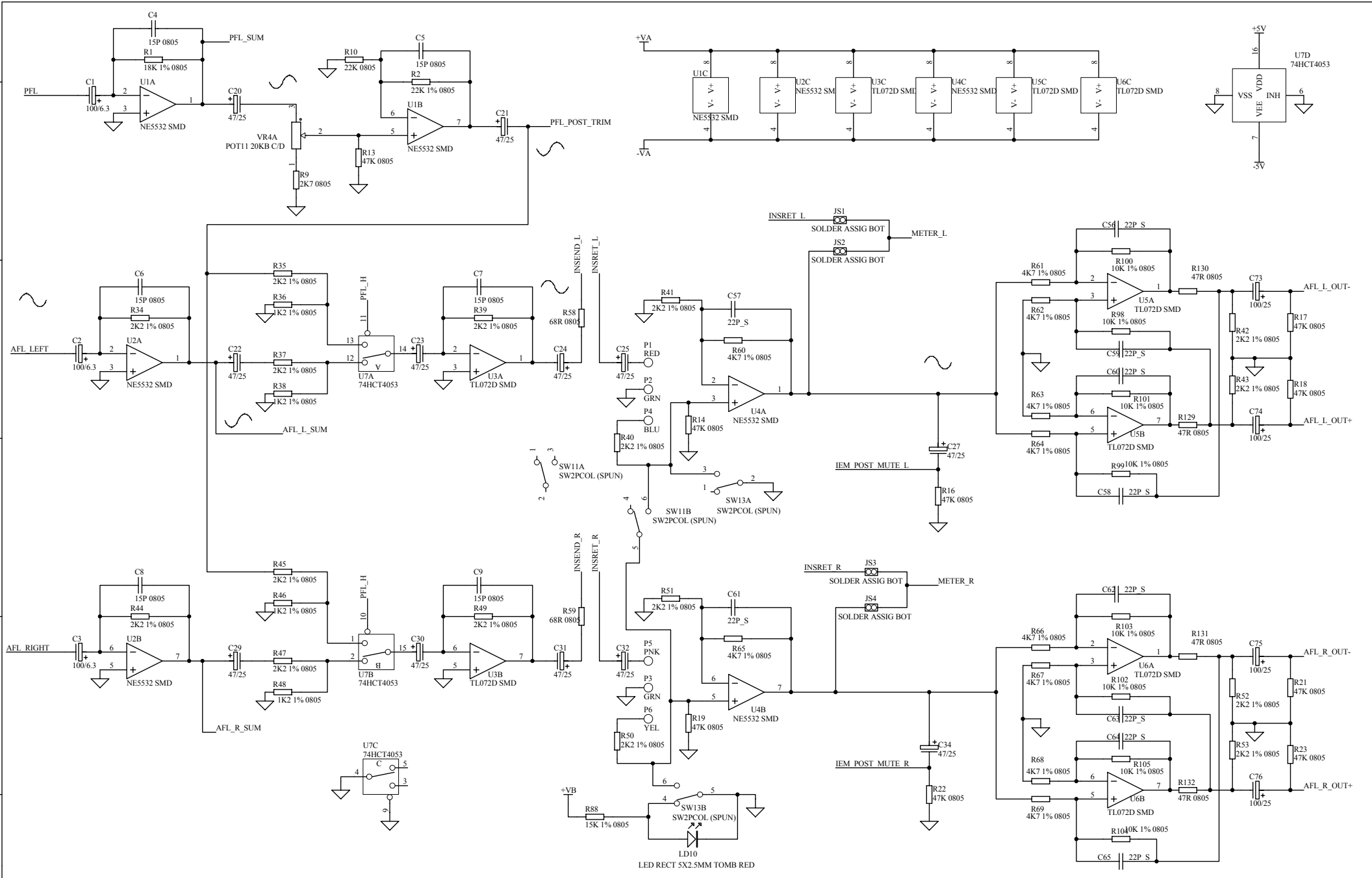
E

F

G

H





ALLEN&HEATH
 Kernick Industrial Estate,
 Penryn, Cornwall,
 England. TR10 9LU
 Tel: +44 (0)8707 556250
 Fax: +44 (0)8707 556251

ISSUE	BY	DATE	CHK BY
A	MG	03/03/06	CD
B	MG	24-04-06	CD
1	AAT	26-05-06	MG
2	MG	21-07-06	MG

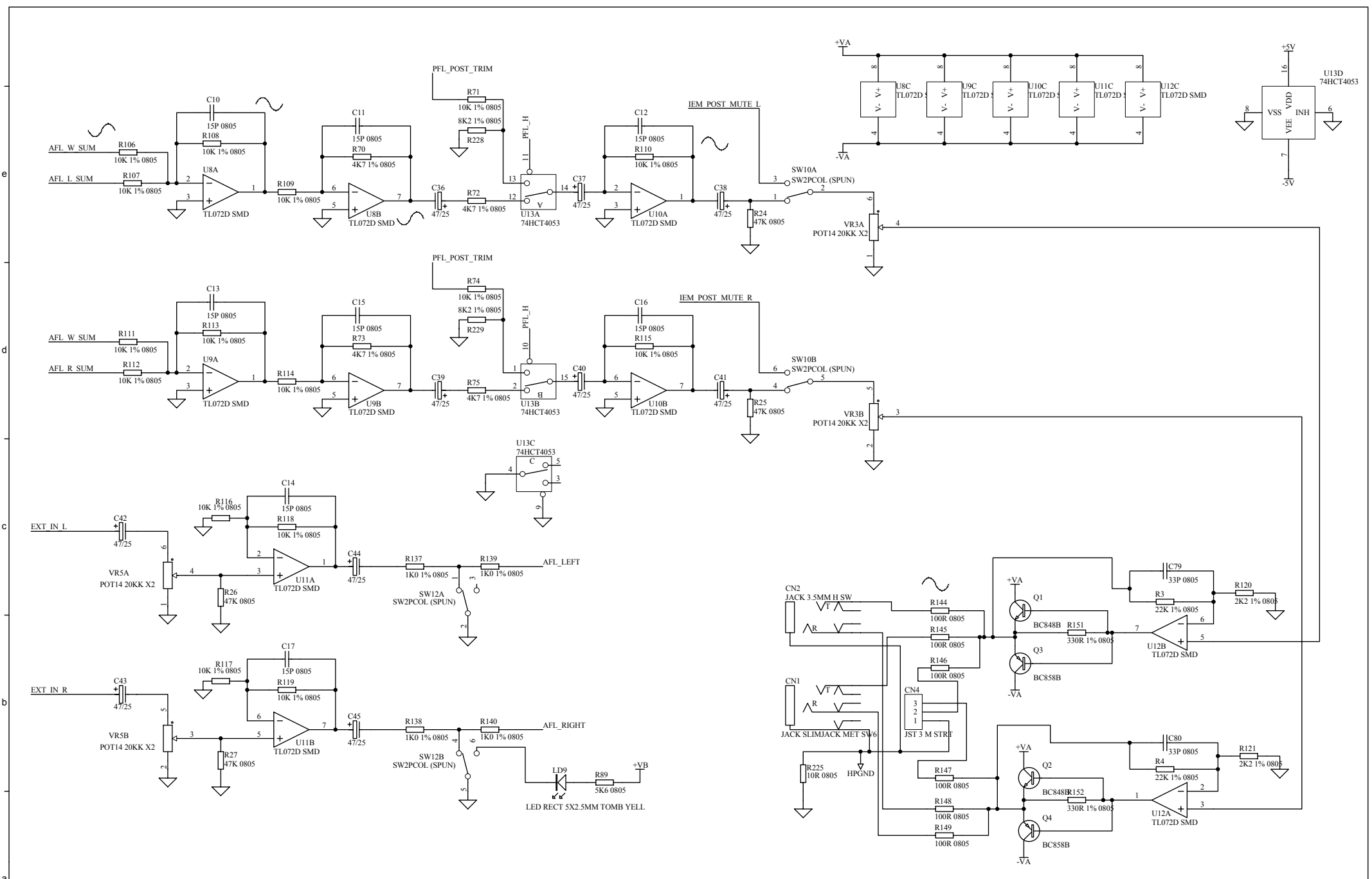
FILE: C6657_2P1.Sch

VR4B POT11 20KB C/D
 BRK1

R136 1K0 1% 0805

PRINTED: 10:06:14 29-Nov-2006

TITLE: **GL2800M MASTER1**
 PAGE:
 DRG No: **C6657** ISSUE: 2 SHEET: 1 OF 5



ALLEN&HEATH

Kernick Industrial Estate,
Penryn, Cornwall,
England. TR10 9LU
Tel: +44 (0)8707 556250
Fax: +44 (0)8707 556251

ISSUE	BY	DATE	CHK BY
A	MG	03/03/06	CD
B	MG	24-04-06	CD
1	AAT	26-05-06	MG
2	MG	21-07-06	MG

VR3C POT14 20KK X2 BRK	VR3D POT14 20KK X2 BRK
------------------------------	------------------------------

R120 & 121 changed from 10k to 2k2 on 22/06/06

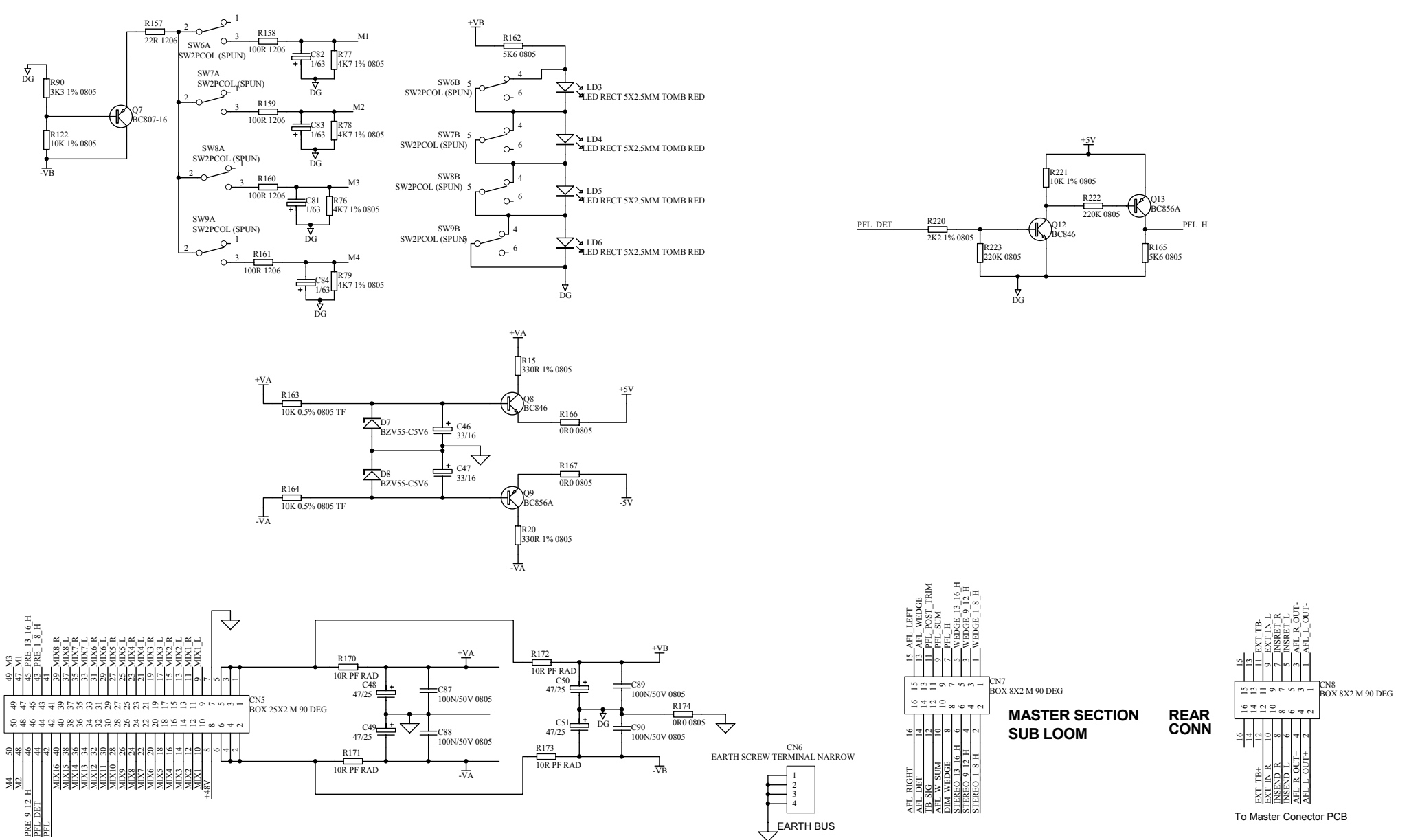
FILE: C6657_2P2.Sch

PRINTED: 10:06:15 29-Nov-2006

TITLE: GL2800M MASTER1

PAGE:

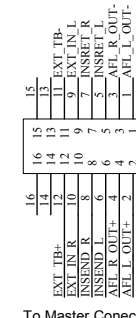
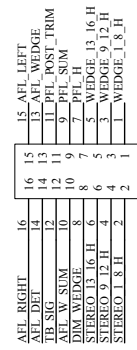
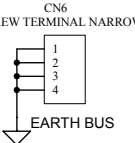
DRG No: C6657 ISSUE: 2 SHEET: 2 OF 5

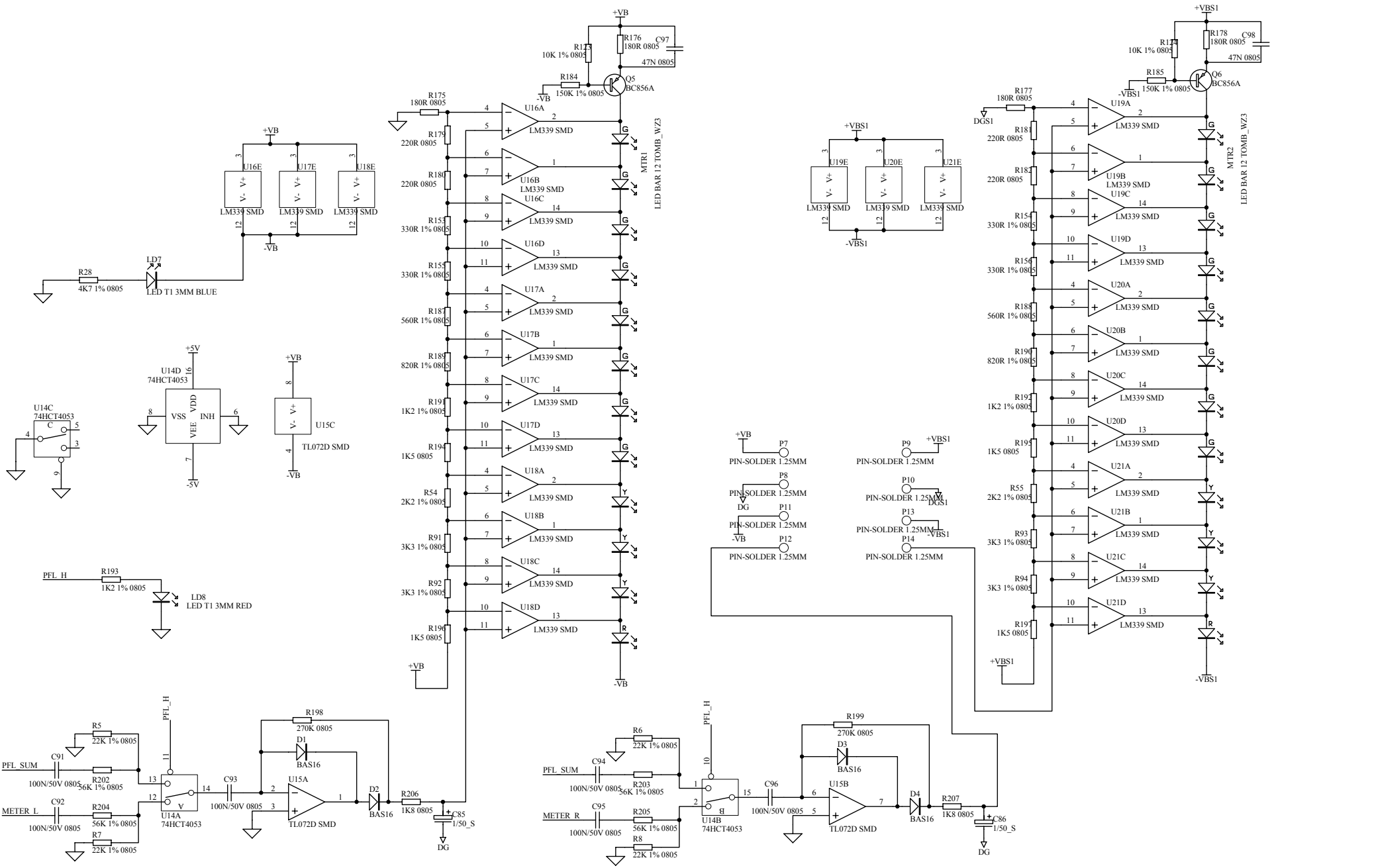


MAIN HARNESS

MASTER SECTION SUB LOOM

REAR CONN





ALLEN&HEATH

Kernick Industrial Estate,
Penryn, Cornwall,
England. TR10 9LU
Tel: +44 (0)8707 556250
Fax: +44 (0)8707 556251

ISSUE	BY	DATE	CHK BY
A	MG	03/03/06	CD
B	MG	24-04-06	CD
1	AAT	26-05-06	MG
2	MG	21-07-06	MG

FILE: C6657_2P4.Sch

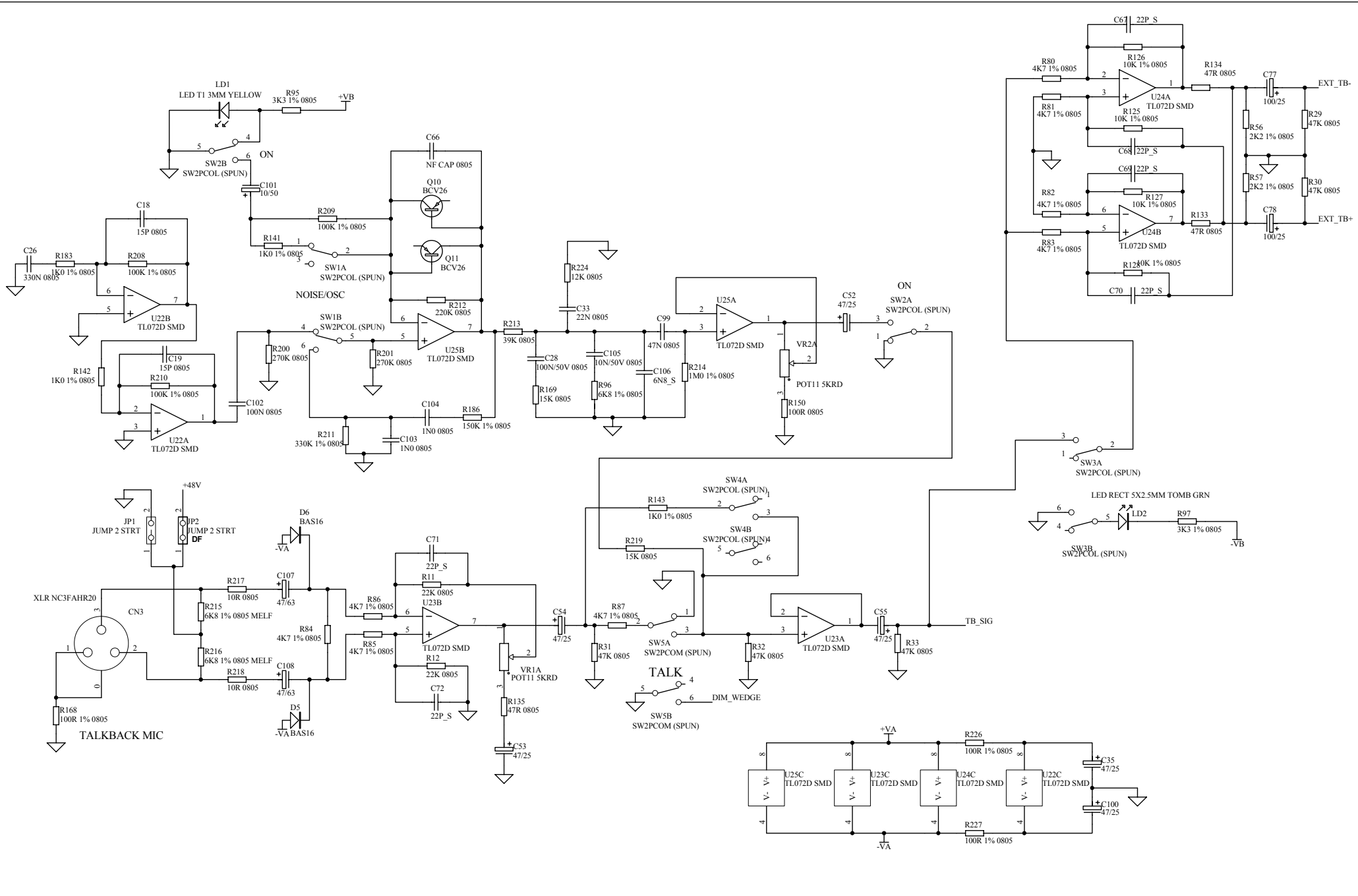
TITLE: GL2800M MASTER1

PAGE:

DRG No: C6657 ISSUE: 2 SHEET: 4 OF 5

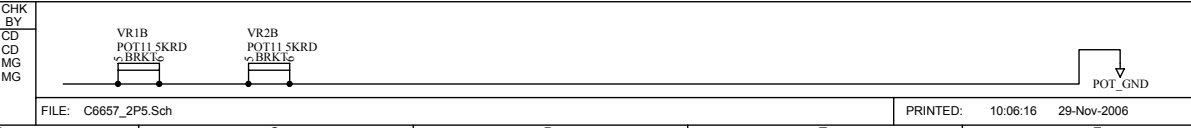
PRINTED: 10:06:16 29-Nov-2006

A B C D E F G H

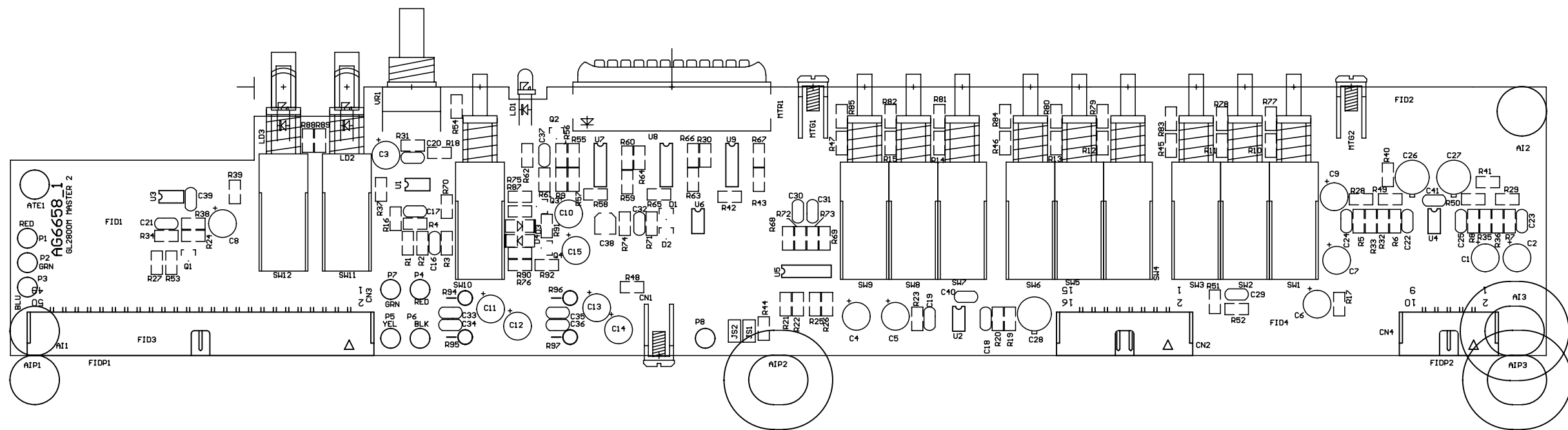


ALLEN&HEATH
 Kernick Industrial Estate,
 Penryn, Cornwall,
 England. TR10 9LU
 Tel: +44 (0)8707 556250
 Fax: +44 (0)8707 556251

ISSUE	BY	DATE	CHK BY
A	MG	03/03/06	CD
B	MG	24-04-06	CD
1	AAT	26-05-06	MG
2	MG	21-07-06	MG



TITLE: **GL2800M MASTER1**
 PAGE:
 DRG No: **C6657** ISSUE: 2 SHEET: 5 OF 5



C6658_IP1
C6658_IP1.Sch

C6658_IP2
C6658_IP2.Sch

C6658_IP3
C6658_IP3.Sch

FID1 FID2 FID3 FID4
FIDUCIAL FIDUCIAL FIDUCIAL FIDUCIAL

A11 A12 A13
HOLE-AI HOLE-AI SLOT-AI

ATE1
HOLE-ATE

BO1 BO2
PCB BREAKOUT S PCB BREAKOUT S
BO1_1 BO2_1
PCB BREAKOUT S PCB BREAKOUT S
BO1_2 BO2_2
PCB BREAKOUT S PCB BREAKOUT S
BO1_3 BO2_3
PCB BREAKOUT S PCB BREAKOUT S

AIP1 AIP2 AIP3 FIDP1 FIDP2
HOLE-AI SLOT-AI SLOT-AI FIDUCIAL FIDUCIAL

ALLEN&HEATH

Kernick Industrial Estate,
Penryn, Cornwall,
England. TR10 9LU

Tel: +44 (0)8707 556250
Fax: +44 (0)8707 556251

ISSUE	BY	DATE	CHK BY
A	MG	13-03-06	XXX
B	MG	27-04-06	XXX
1	AAT	26-05-06	XXX

FILE: C6658_1.Sch

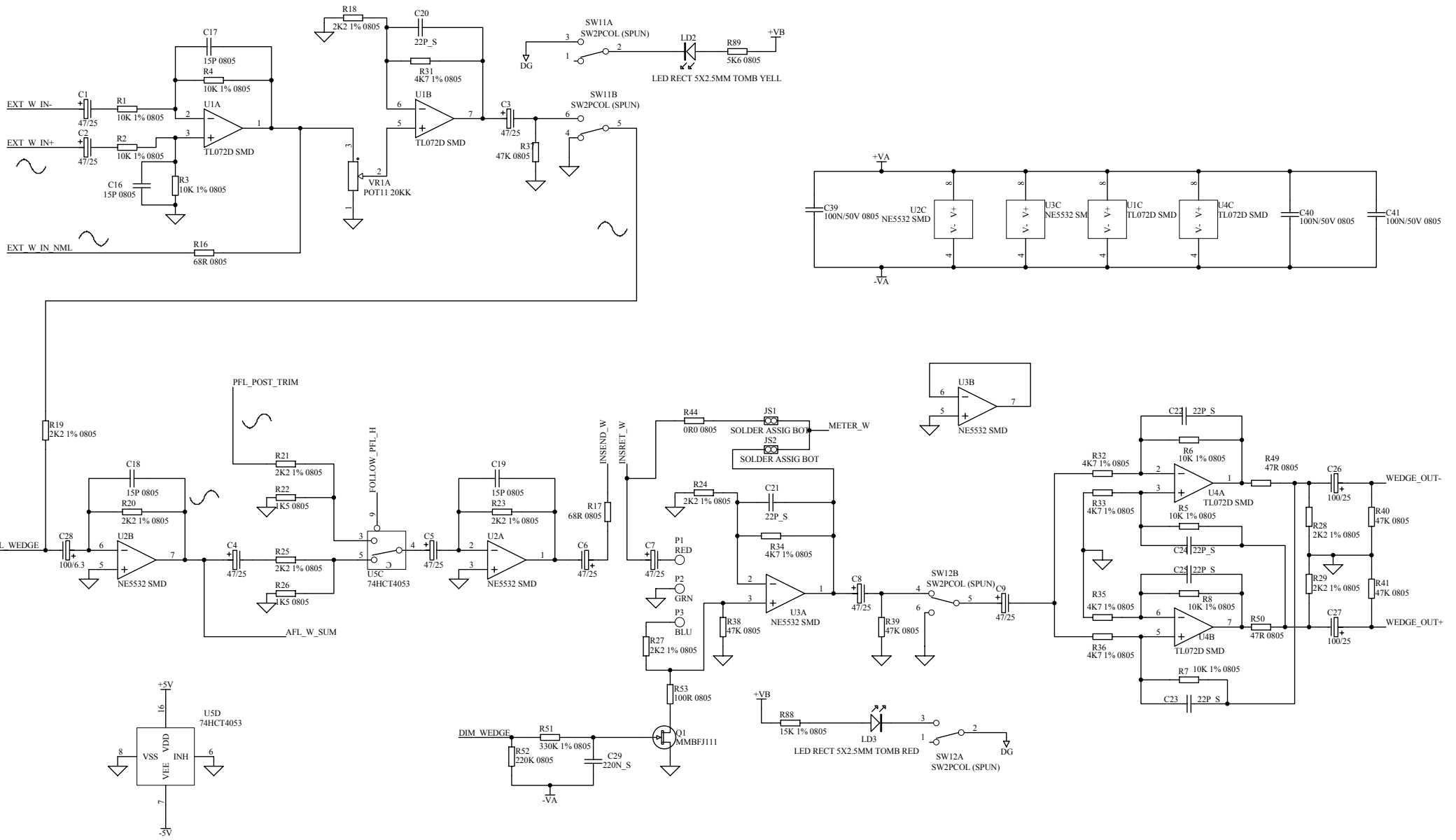
PRINTED: 10:11:45 29-Nov-2006

TITLE: GL2800M MASTER2

PAGE:

DRG No: C6658 ISSUE: 1 SHEET: 0 OF 3

A I B C I D E I F G I H



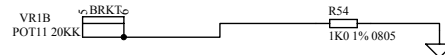
ALLEN&HEATH

Kernick Industrial Estate,
Penryn, Cornwall,
England. TR10 9LU

Tel: +44 (0)8707 556250
Fax: +44 (0)8707 556251

ISSUE	BY	DATE	CHK BY
A	MG	13/03/06	XXX
B	MG	27-04-06	XXX
1	AAT	26-05-06	XXX

FILE: C6658_1P1.Sch

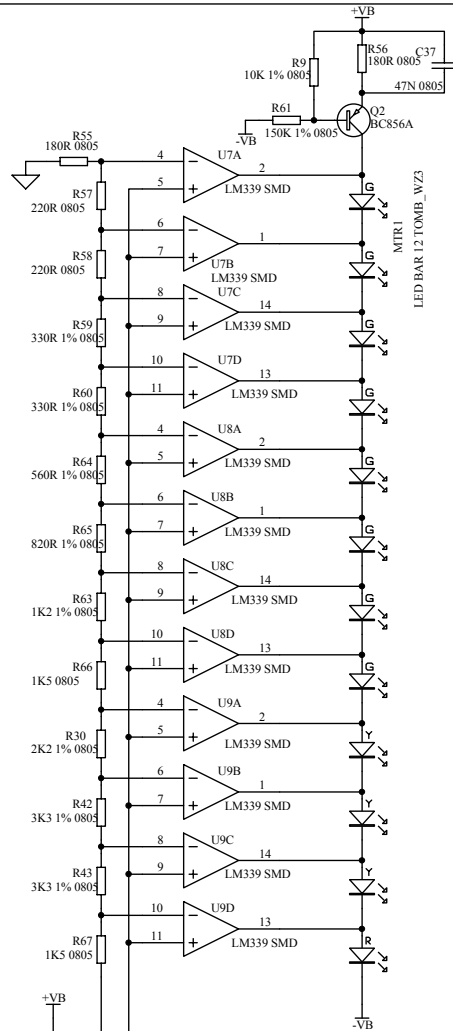
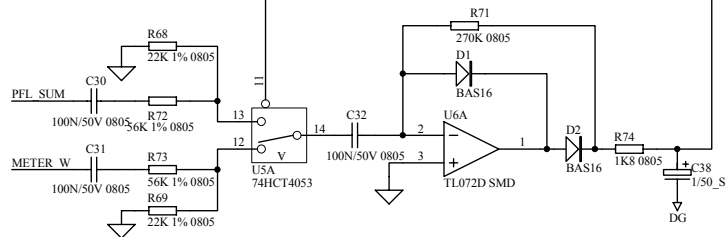
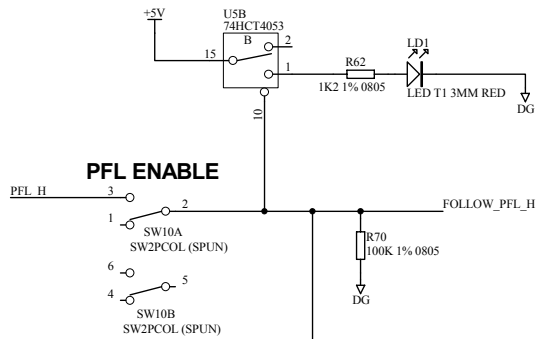
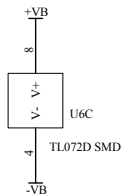
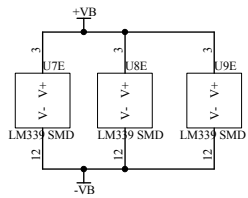


PRINTED: 10:11:45 29-Nov-2006

TITLE: GL2800M MASTER2

PAGE:

DRG No: C6658 ISSUE: 1 SHEET: 1 OF 3



ALLEN&HEATH

Kernick Industrial Estate,
Penryn, Cornwall,
England. TR10 9LU
Tel: +44 (0)8707 556250
Fax: +44 (0)8707 556251

ISSUE	BY	DATE	CHK BY
A	MG	13/03/06	XXX
B	MG	27-04-06	XXX
1	AAT	26-05-06	XXX

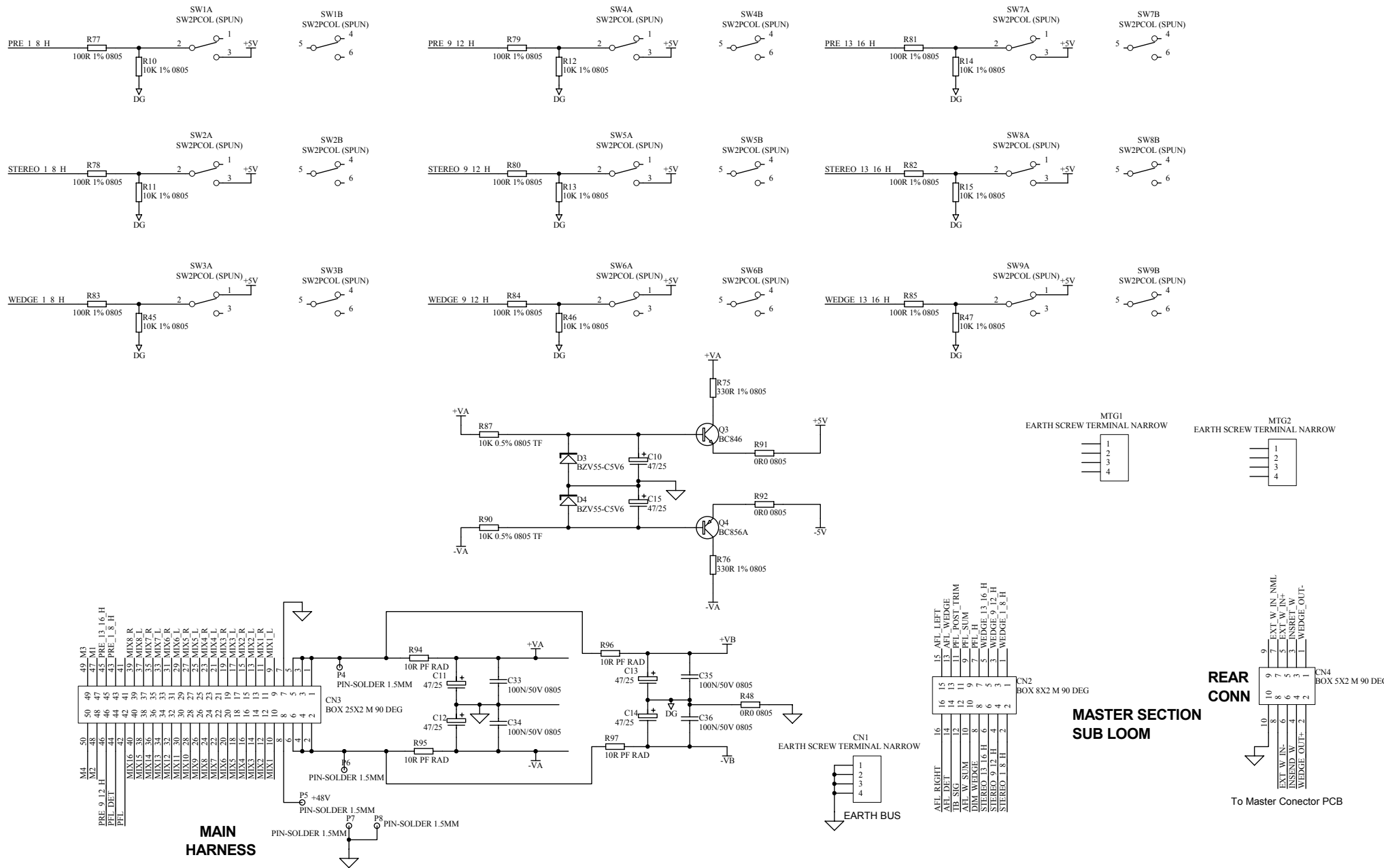
FILE: C6658_1P2.Sch

PRINTED: 10:11:45 29-Nov-2006

TITLE: GL2800M MASTER2

PAGE:

DRG No: C6658 ISSUE: 1 SHEET: 2 OF 3



ALLEN&HEATH

Kernick Industrial Estate,
Penryn, Cornwall,
England. TR10 9LU

Tel: +44 (0)8707 556250
Fax: +44 (0)8707 556251

ISSUE	BY	DATE	CHK BY
A	MG	13/03/06	XXX
B	MG	27-04-06	XXX
1	AAT	26-05-06	XXX

FILE: C6658_1P3.Sch

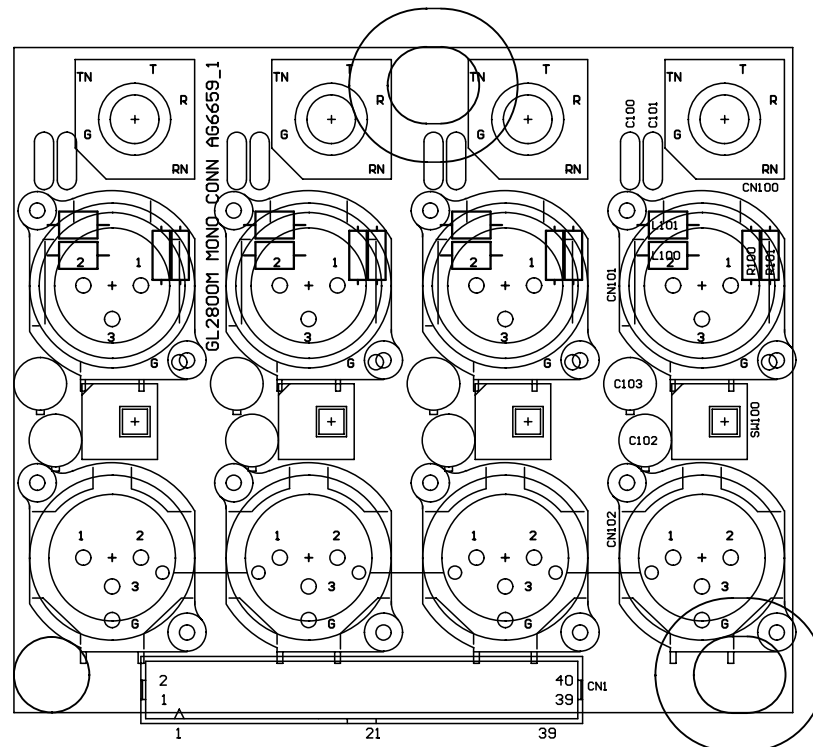
TITLE: **GL2800M MASTER2**

PAGE:

POT_GND

PRINTED: 10:11:46 29-Nov-2006

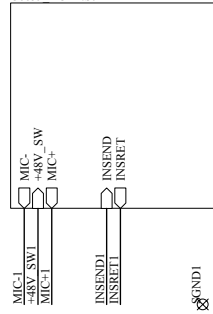
DRG No: **C6658** ISSUE: **1** SHEET: **3 OF 3**



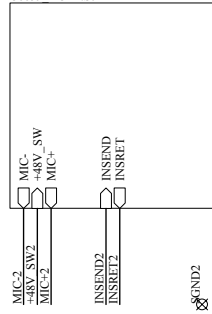
TOP OVERLAY

.GTO

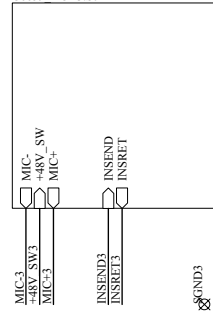
C6659 1 CH1
C6659 1 CH1.Sch



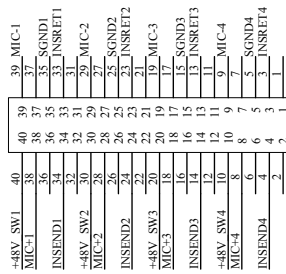
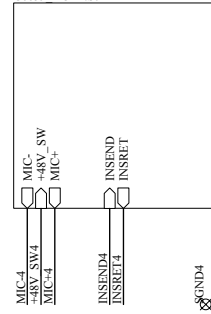
C6659 1 CH2
C6659 1 CH2.Sch



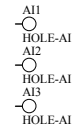
C6659 1 CH3
C6659 1 CH3.Sch



C6659 1 CH4
C6659 1 CH4.Sch



CN1
BOX 20X2 M STRT



ALLEN&HEATH

Kernick Industrial Estate,
Penryn, Cornwall,
England. TR10 9LU
Tel: +44 (0)8707 556250
Fax: +44 (0)8707 556251

ISSUE	BY	DATE	CHK BY
A 1	AAT	13-03-06	XXX
	AAT	21-04-06	XXX

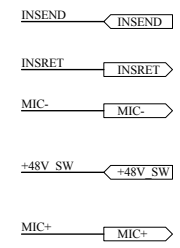
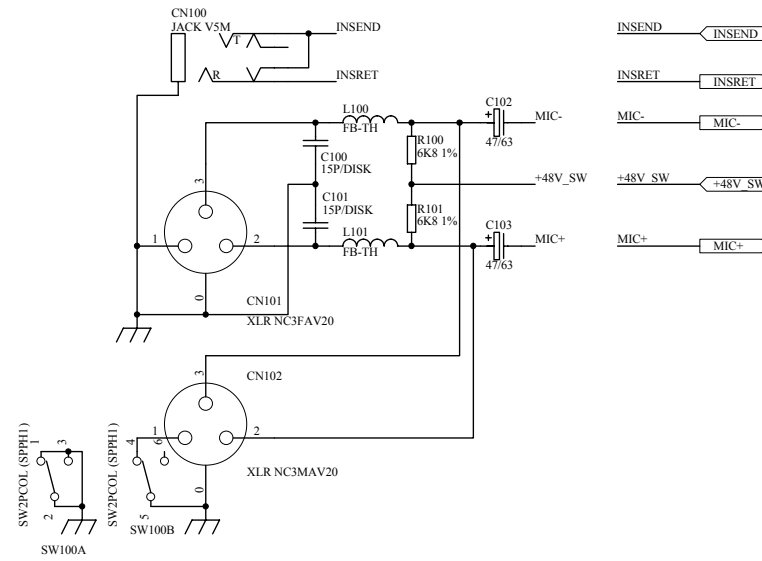
FILE: C6659_1.Sch

PRINTED: 09:55:54 29-Nov-2006

TITLE: GLM2800 MONO CONN PCB

PAGE: FRONT

DRG No: C6659 ISSUE: 1 SHEET: 1 OF 5



ALLEN&HEATH

Kernick Industrial Estate,
Penryn, Cornwall,
England. TR10 9LU
Tel: +44 (0)8707 556250
Fax: +44 (0)8707 556251

ISSUE	BY	DATE	CHK BY
A 1	AAT	13-03-06	XXX
	AAT	21-04-06	XXX

FILE: C6659_1.CH1.Sch

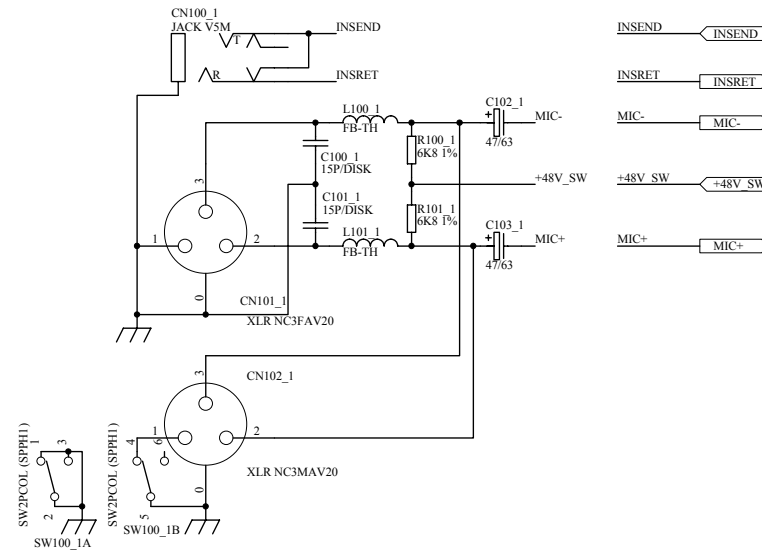
PRINTED: 09:55:55 29-Nov-2006

TITLE: GLM2800 MONO CONN PCB

PAGE: CH1 CONNS

DRG No: C6659 ISSUE: 1 SHEET: 2 OF 5

A I B C D E F G H



ALLEN&HEATH

Kernick Industrial Estate,
Penryn, Cornwall,
England. TR10 9LU
Tel: +44 (0)8707 556250
Fax: +44 (0)8707 556251

ISSUE	BY	DATE	CHK BY
A	AAT	13-03-06	XXX
1	AAT	21-04-06	XXX

FILE: C6659_1 CH2.Sch

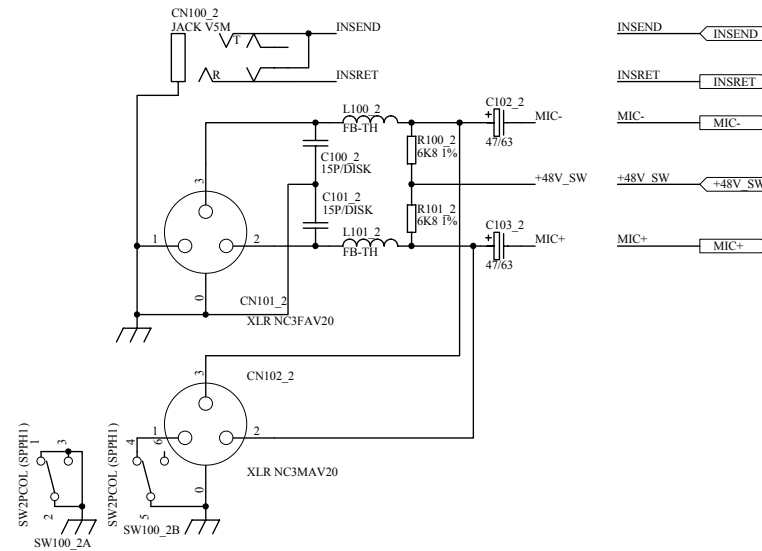
PRINTED: 09:55:55 29-Nov-2006

TITLE: GLM2800 MONO CONN PCB

PAGE: CH2 CONNS

DRG No: C6659 ISSUE: 1 SHEET: 3 OF 5

A I B C D E F G H



ALLEN&HEATH

Kernick Industrial Estate,
Penryn, Cornwall,
England. TR10 9LU
Tel: +44 (0)8707 556250
Fax: +44 (0)8707 556251

ISSUE	BY	DATE	CHK BY
A 1	AAT AAT	13-03-06 21-04-06	XXX XXX

FILE: C6659_1 CH3.Sch

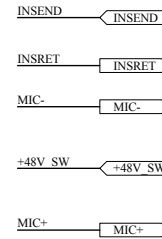
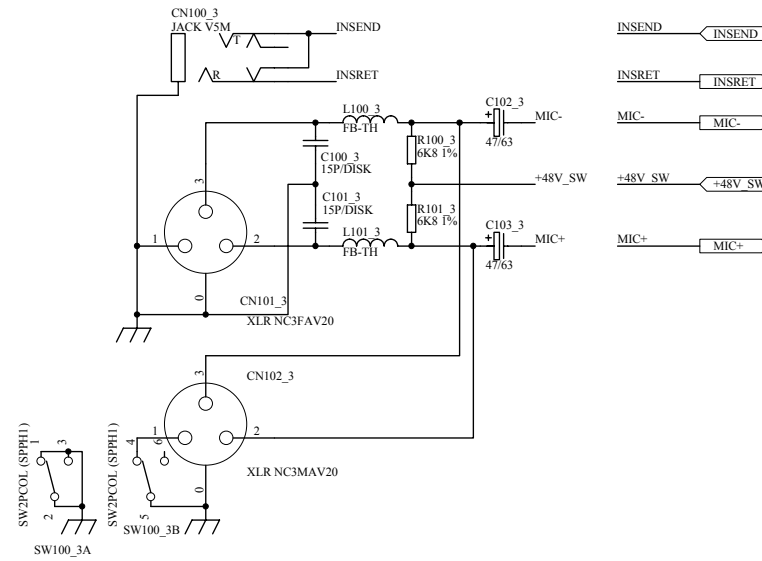
PRINTED: 09:55:55 29-Nov-2006

TITLE: GLM2800 MONO CONN PCB

PAGE: CH3 CONNS

DRG No: C6659 ISSUE: 1 SHEET: 4 OF 5

A I B C D E F G H



ALLEN&HEATH

Kernick Industrial Estate,
Penryn, Cornwall,
England. TR10 9LU
Tel: +44 (0)8707 556250
Fax: +44 (0)8707 556251

ISSUE	BY	DATE	CHK BY
A 1	AAT AAT	13-03-06 21-04-06	XXX XXX

FILE: C6659_1 CH4.Sch

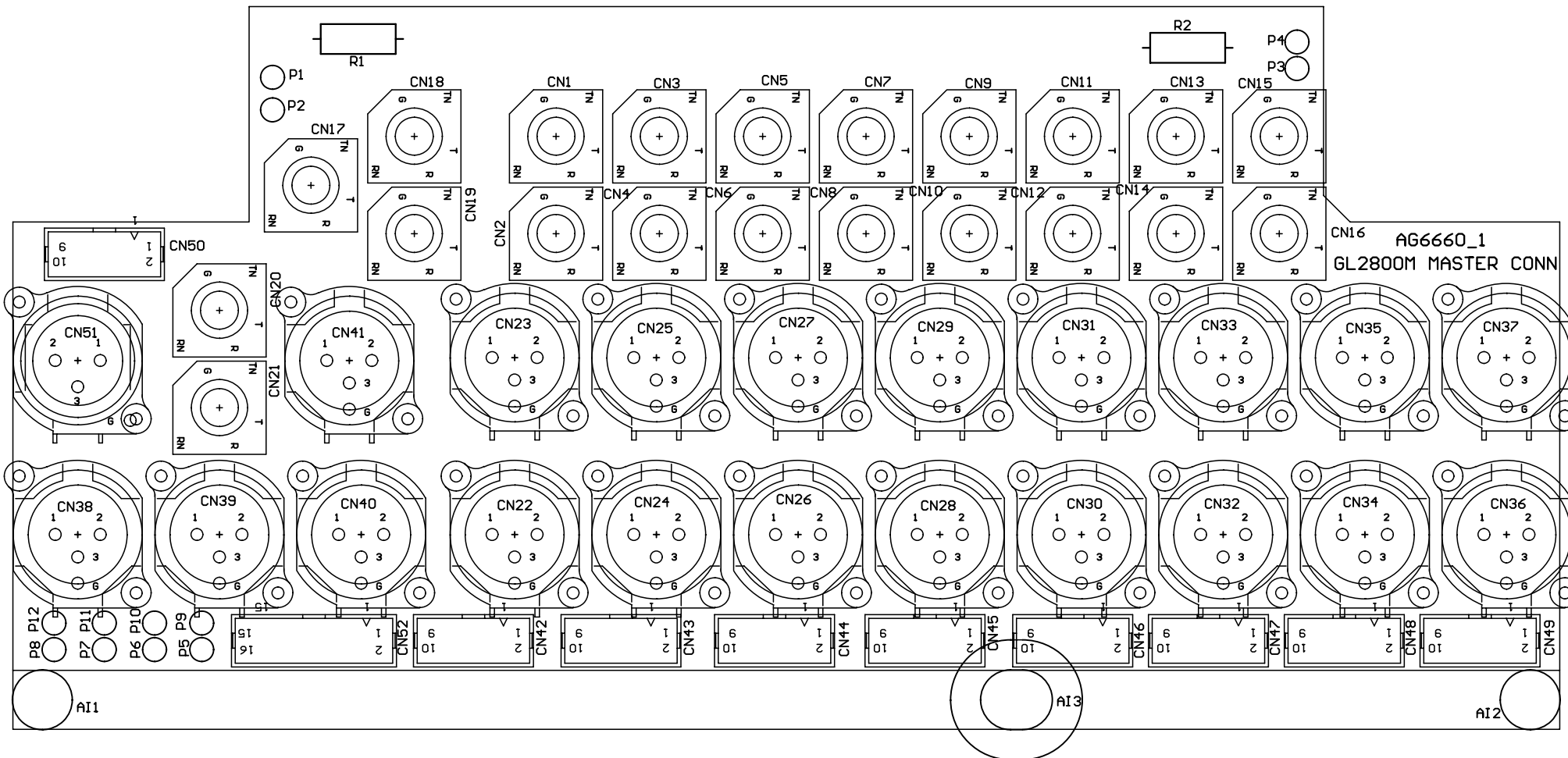
PRINTED: 09:55:55 29-Nov-2006

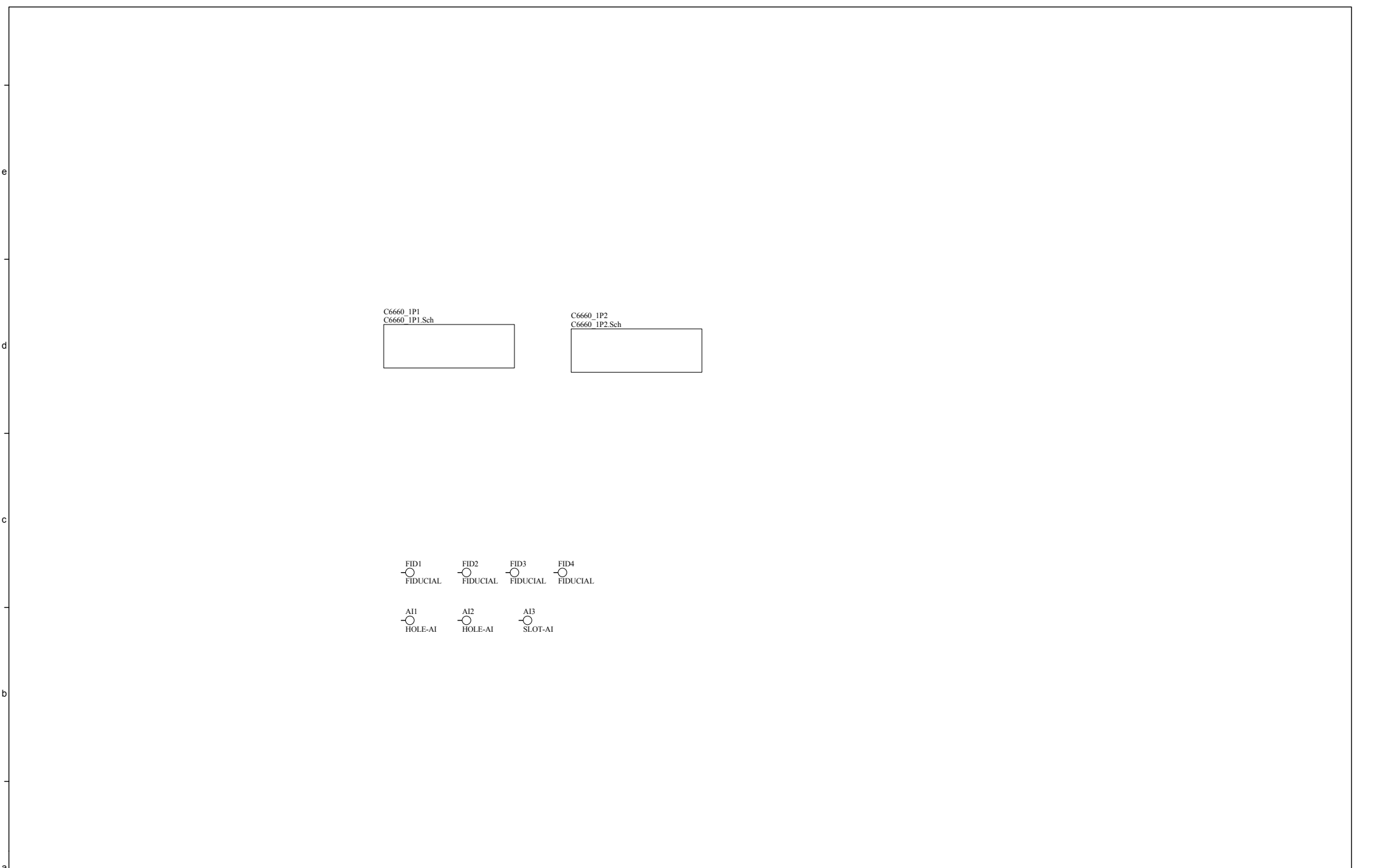
TITLE: GLM2800 MONO CONN PCB

PAGE: CH4 CONNS

DRG No: C6659 ISSUE: 1 SHEET: 5 OF 5

A I B C D E F G H





ALLEN&HEATH

Kernick Industrial Estate,
 Penryn, Cornwall,
 England. TR10 9LU
 Tel: +44 (0)8707 556250
 Fax: +44 (0)8707 556251

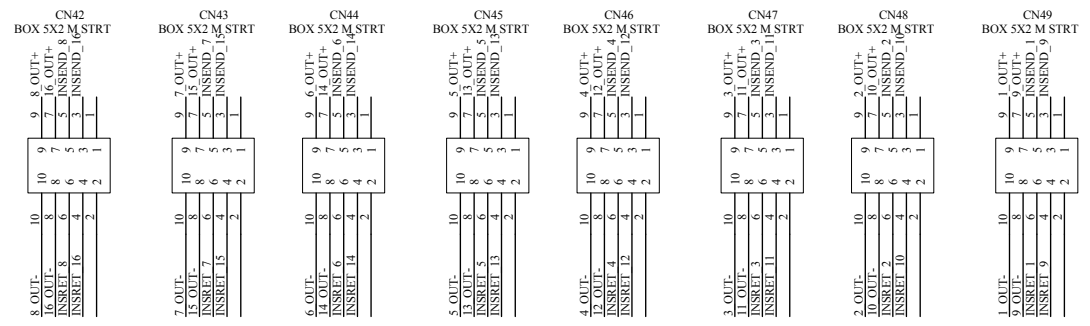
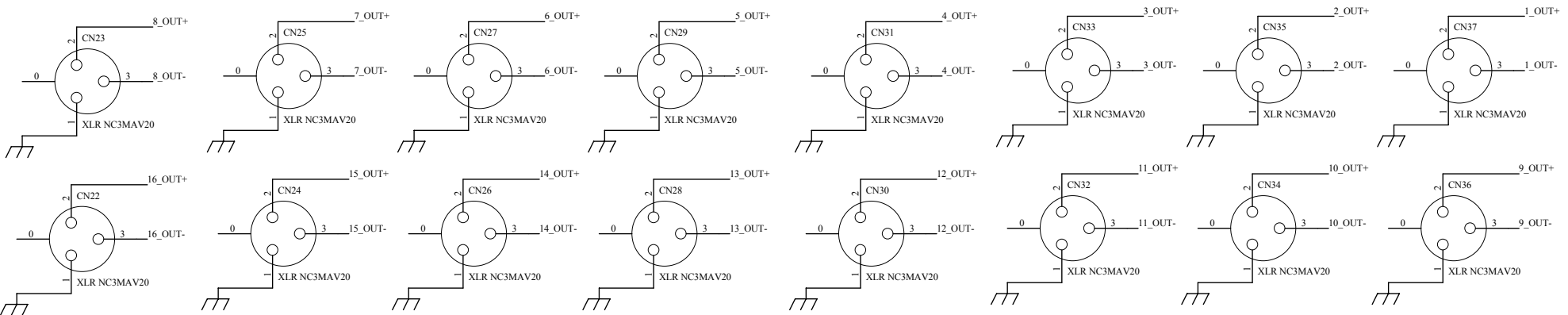
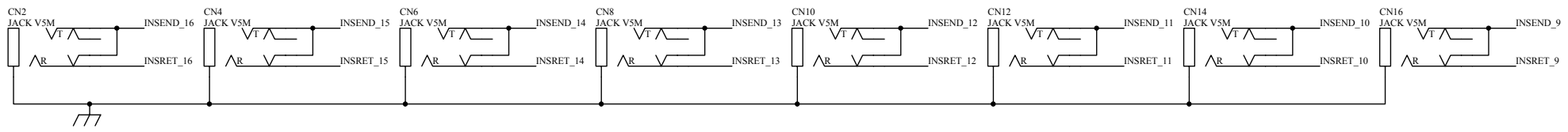
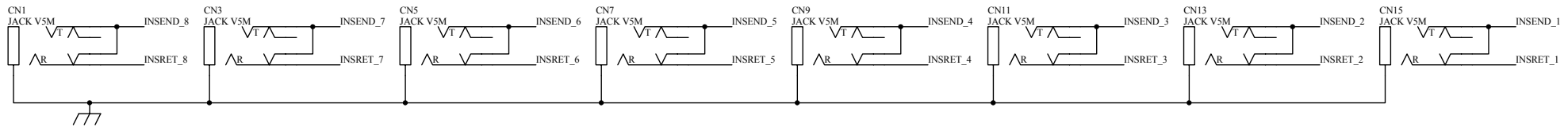
ISSUE	BY	DATE	CHK BY
A 1	MG AAT	14-03-06 26-04-06	XXX XXX

FILE: C6660_1.Sch	PRINTED: 10:14:28 29-Nov-2006
-------------------	-------------------------------

TITLE: GL2800M MASTER CONNECTOR
PAGE:
DRG No: C6660 ISSUE: 1 SHEET: 0 OF 3

A I B I C I D I E I F I G I H





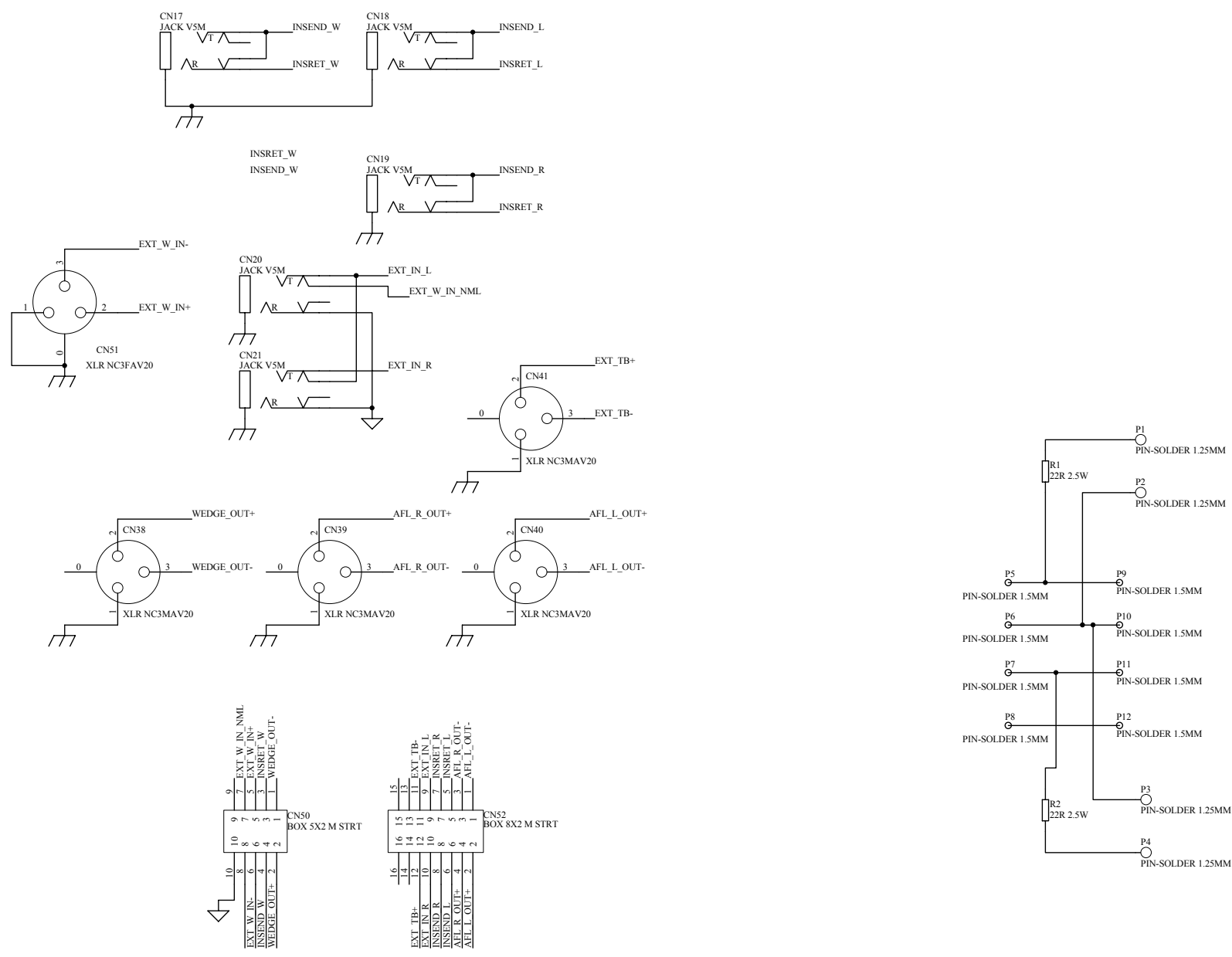
ALLEN&HEATH
 Kernick Industrial Estate,
 Penryn, Cornwall,
 England. TR10 9LU
 Tel: +44 (0)8707 556250
 Fax: +44 (0)8707 556251

ISSUE	BY	DATE	CHK BY
A 1	MG AAT	14/03/06 26-04-06	XXX XXX

FILE: C6660_1P1.Sch

PRINTED: 10:14:28 29-Nov-2006

TITLE: **GL2800M MASTER CONNECTOR**
 PAGE:
 DRG No: **C6660** ISSUE: 1 SHEET: 1 OF 3



ALLEN&HEATH

Kernick Industrial Estate,
Penryn, Cornwall,
England. TR10 9LU

Tel: +44 (0)8707 556250
Fax: +44 (0)8707 556251

ISSUE	BY	DATE	CHK BY
A 1	MG AAT	14/03/06 26-04-06	XXX XXX

FILE: C6660_1P2.Sch

PRINTED: 10:14:29 29-Nov-2006

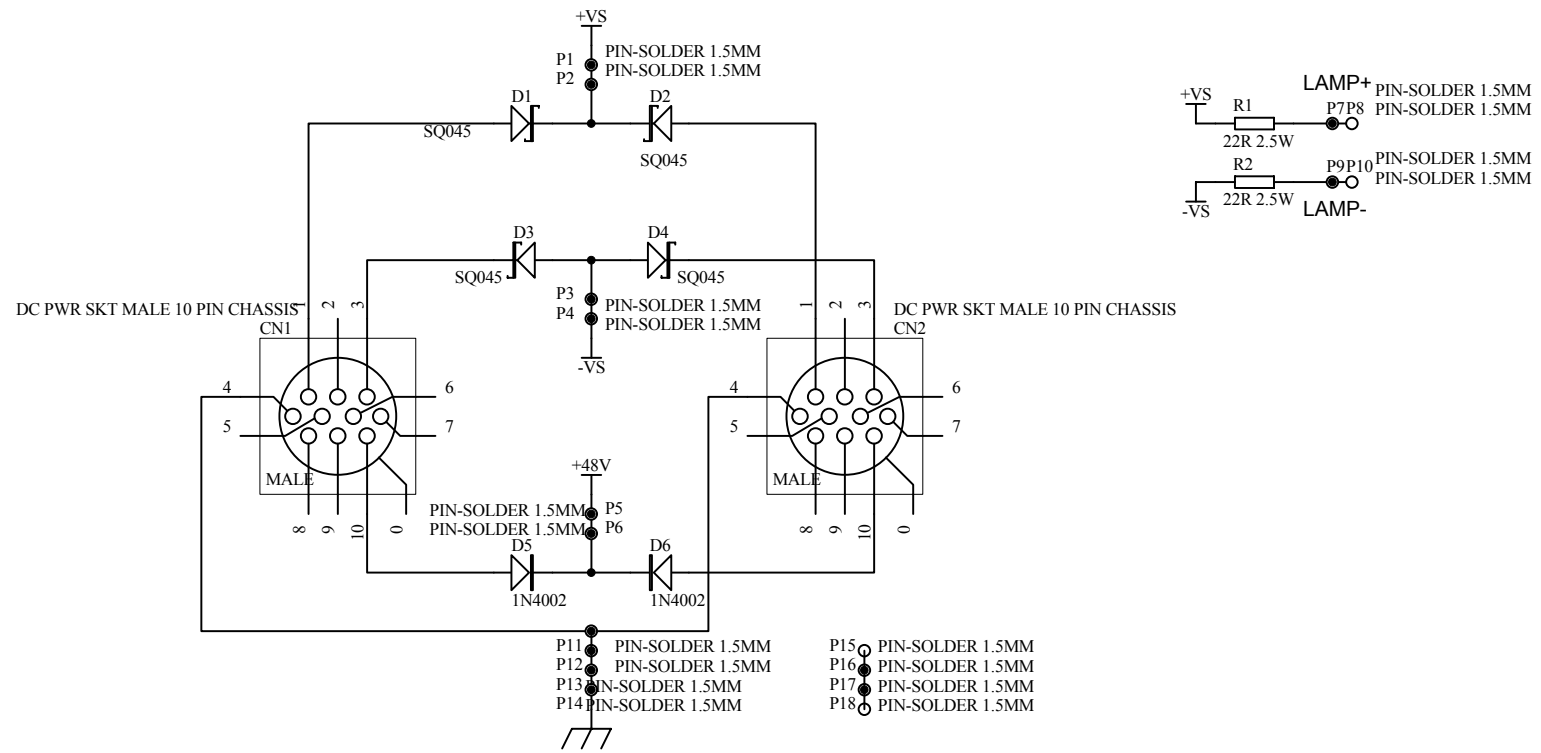
TITLE: GL2800M MASTER CONNECTOR

PAGE:

DRG No: C6660 ISSUE: 1 SHEET: 2 OF 3

A I B C D E F G H

e
d
c
b
a



ALLEN&HEATH
 Kernick Industrial Estate,
 Penryn, Cornwall,
 England. TR10 9LU
 Tel: +44 (0)1326 372070
 Fax: +44 (0)1326 370153

ISSUE	BY	DATE	CHK BY
1	MG	9/02/05	

FILE: C5875_1.Sch

PRINTED: 14:33:55 29-Apr-2005

TITLE: GL2800 POWER CONN
 PAGE:
 DRG No: AG5875 ISSUE: 1 SHEET: 1 OF 1

