

ALLEN & HEATH



GL4800

SERVICE INFORMATION

Publication AP6151

Introduction

This publication provides technical information on servicing the Allen & Heath **GL4800**. Included are internal layout drawing, block diagram and circuit schematics with board layouts and spare parts lists. Whilst we believe this information to be reliable we do not assume responsibility for inaccuracies. We also reserve the right to make changes in the interest of further product development.

Additional Resources

Allen & Heath web site	www.allen-heath.com	Product information Technical downloads Distribution contacts Company contacts
Technical support	support@allen-heath.com	See web for local contact
GL4800 User Guide	AP6150	Operating instructions Performance specification
GL4800 SYS-LINK Fitting Instructions	AP6152	Fitting instructions
GL4800 SYS-LINK Applications Note	AP6285	System Description Cabling Details

GL4800 Service Information

Issue status: gl4800_ap6151_1.doc

Print date: 01 July 2005

Copyright © 2005 Allen & Heath. All rights reserved

ALLEN&HEATH

Kernick Industrial Estate, Penryn, Cornwall, TR10 9LU, UK

<http://www.allen-heath.com>



Servicing Precautions – General Notes

- Service personnel:** Service work should be carried out by technically qualified service personnel only. Mains power is dangerous and can kill. Do not attempt to work on a linear or switched mode power supply if you are not suitably qualified to do so. Do not attempt to repair surface mount circuit assemblies unless you are suitably qualified and have the necessary facilities to do so. Replacement circuit assemblies can be ordered.
- Service facilities:** Ensure a suitably sized work surface is available. Ensure this is clear of dirt, debris and obstructions which may damage the equipment surfaces. Ensure adequate lighting. Use the correct tools for the job and ensure they are in good working order. Ensure all workshop safety requirements are adhered to.
- Service information:** Check that you have all the information you need before starting the service job. Refer to the Allen & Heath web site or contact Allen & Heath technical support for details on the latest information. Full technical information can be downloaded from the web site Distributor Zone (password required).
- Mains power:** Connect the equipment to mains power only of the type described in the user guide and marked on the rear panel. The power source must provide a good ground connection. Ensure you always use an isolation transformer when working on any mains power supply unit.
- Mains cord and fuse:** Use the correct power cord as supplied with the equipment. Do not remove or tamper with the ground connection in the power cord. Heed the Important Mains Plug Wiring Instructions printed in the user guide if it is necessary to rewire the mains cord. Always replace the equipment mains fuse with the correct type and rating as described in the user guide and marked on the equipment panel.
- Opening the unit:** Switch off and remove the mains power cord before opening the equipment. Ensure all power supply covers and safety shields are in place before applying power with the unit open for diagnostic fault finding.
- Closing the unit:** Before finishing, check the quality and accuracy of the service work carried out. Remove any dirt or debris as this may cause equipment failure in the future. Ensure all assemblies, harnesses and connectors are correctly aligned and plugged in. Ensure that jumper settings and control configurations are correctly set according to the requirements of the customer.
- Testing the unit:** Before operating the equipment, read and adhere to the Important Safety Instructions printed in the user guide. Test that the service work has been successfully carried out.
- Shipping the unit:** Use adequate packing such as the original packaging or purpose designed flight case if you need to ship the unit. To avoid injury to yourself or damage to the equipment take care when lifting, moving or carrying the equipment.

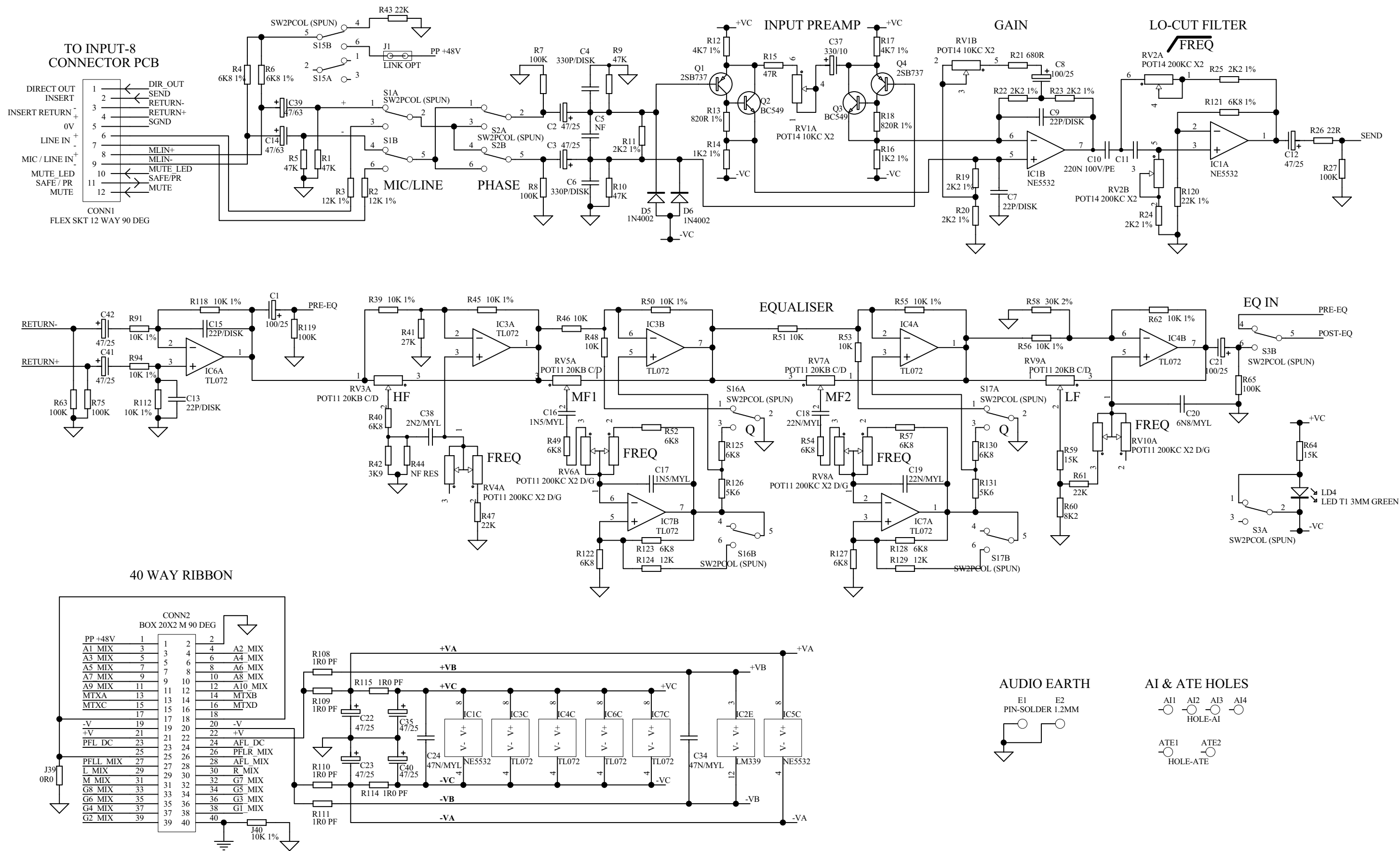


Servicing Notes – GL4800

- User maintenance:** There are several user configurable jumper links inside. These are described in the user guide together with instructions on how to change the default settings.
- Technology:** The **GL4800** uses conventional thru-hole and SMT (surface mount) PCB technology. In certain cases it may be better to replace a faulty assembly rather than try to fix it without the appropriate tools and training. The console uses a rack mountable external linear power supply (RPS11). Due to the mains voltages present in the power supply, it should be serviced by suitably qualified personnel only.
- Operation:** To test the console make sure it is connected as described in the user guide. Check that the voltage setting on the power supply rear panel is correct for the local mains supply.
- Fault finding:** For effective fault diagnosis trace the signal flow through the circuit path. Refer to the system block diagram. Replacement circuit assemblies are available from Allen & Heath.

Contents Log

Internal Layout drawing	gl4800_layout_1.pdf
Surface and Main Parts	gl4800_parts_1.pdf
System Block Diagram	gl4800_blockdiagram_1.pdf
Master PCB	gl4800_002-165_master_2.pdf
Slave PCB	gl4800_002-167_slave_1.pdf
MPU PCB	gl4800_002-198_mpu_2.pdf
Mono Input PCB	gl4800_003-410_mono_input_2.1.pdf
Stereo Input PCB	gl4800_003-411_stereo_input_3.1.pdf
Group PCB (A,B & C)	gl4800_003-412_413_414_group_3.3.pdf
Mono PCB.....	gl4800_003-415_mono_3.2.pdf
8M Connector PCB.....	gl4800_003-416_8m_conn_2.pdf
4SM Connector PCB	gl4800_003-417_4sm_conn_2.pdf
4MS Connector PCB	gl4800_003-418_4ms_conn_2.pdf
8S Connector PCB	gl4800_003-419_8s_conn_2.pdf
Master Connector PCB.....	gl4800_003-420_master_conn_3.pdf
Power Connector PCB	gl4800_003-423_power_conn_b.pdf
Mix Amp Sub PCB	gl4800_003-452_mix_amp_sub_1.pdf
GL Series Meter PCB.....	glseries_meters_3.pdf



ALLEN&HEATH

Kernick Industrial Estate,
Penryn, Cornwall,
England. TR10 9LU

Tel: +44 (0)8707 556250
Fax: +44 (0)8707 556251

ISSUE	BY	DATE	CHK BY
2.1	AAT	22-03-05	XXX

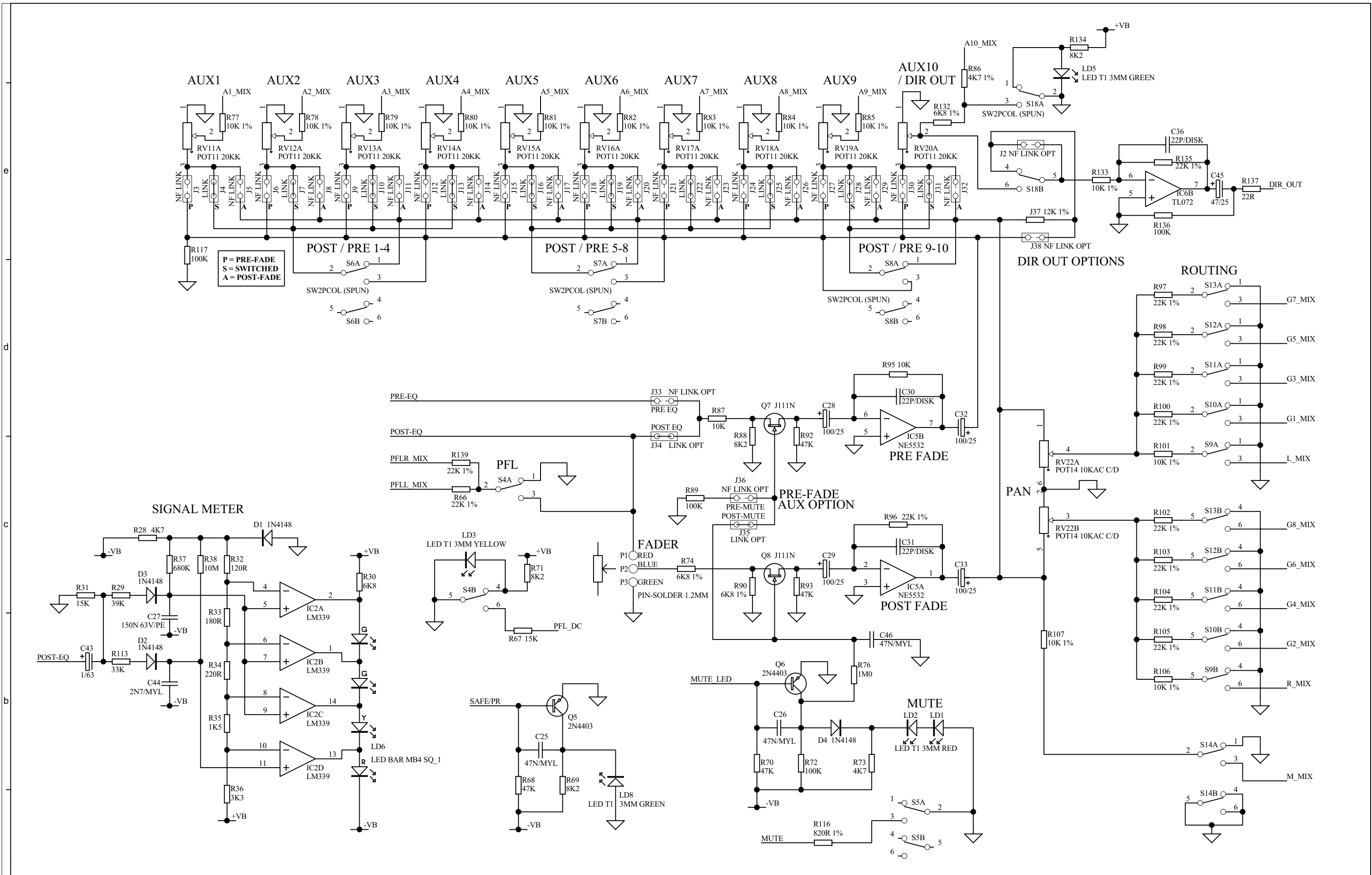
FILE: C2621_2.1P1.SCH

PRINTED: 09:49:23 16-Jun-2005

TITLE: **GL4800 MONO INPUT**

PAGE:

DRG No: AG2621 ISSUE: 2.1 SHEET: 1 OF 2



ALLEN&HEATH

Kernick Industrial Estate,
Penryn, Cornwall,
England. TR10 9LU
Tel: +44 (0)8707 556250
Fax: +44 (0)8707 556251

ISSUE	BY	DATE	CHK BY
2.1	AAT	22-03-05	XXX

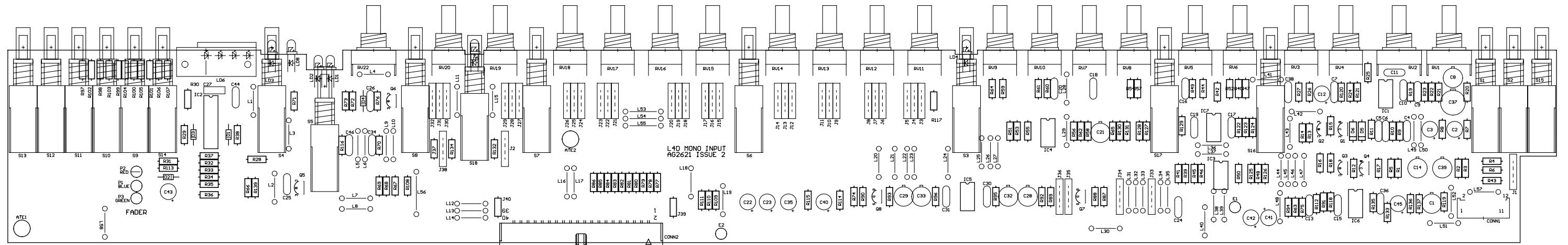
FILE: C2621_2.1P2.SCH

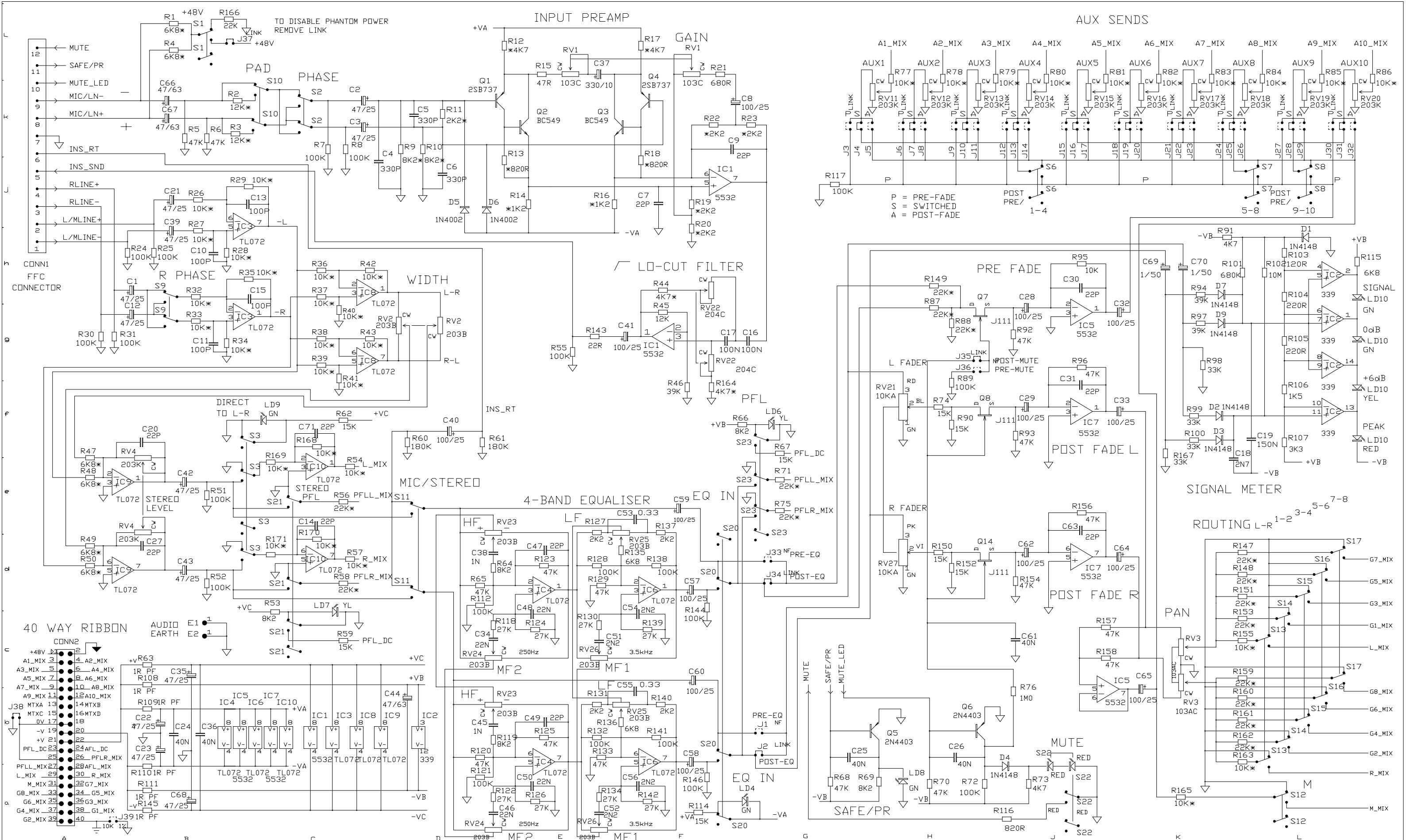
TITLE: GL4800 MONO INPUT

PAGE:

PRINTED: 09:49:24 16-Jun-2005

DRG No: AG2621 ISSUE: 2.1 SHEET: 2 OF 2





ISS	REVISION	BY	DATE	NOTES
A	ORIGIN	DLP	19-7-96	1. RESISTORS MARKED * ARE 1% ALL OTHERS ARE 5% 1/4W UNLESS OTHERWISE MARKED
B	VALUE CHANGES IC10+R+C ADDED	DRP	6-9-96	
1	PRODUCTION	DRP	17-10-96	2. ELECTROLYTIC CAPACITORS ARE 7V/VOLTS
2	BAR LED COLOURS ADDED	DRP	23-10-96	
3	PCB CHANGE	AAT	17-12-01	
3.1	GL4800 CHG J39	AAT	01-07-05	

UNIT TITLE **GL4800**

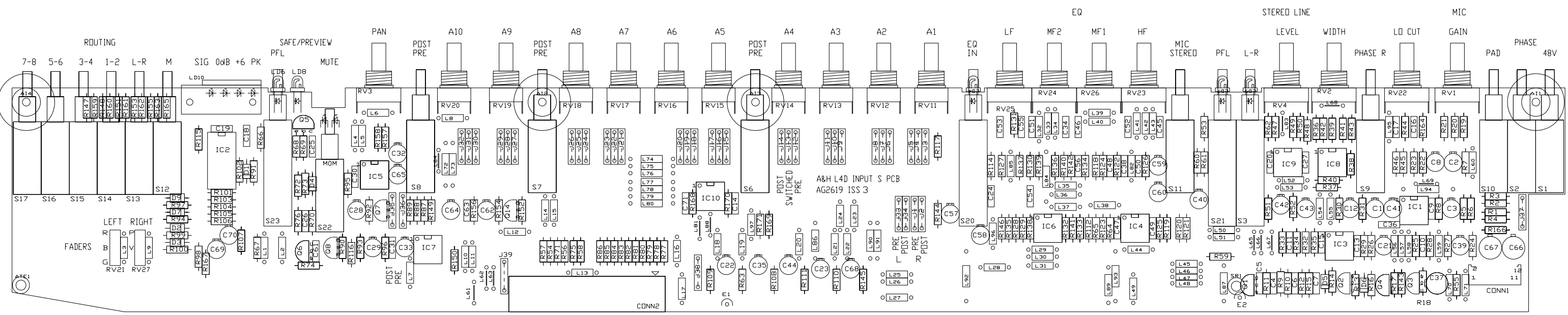
DRAWING TITLE **STEREO INPUT CIRCUIT DIAGRAM**

PCB TYPE AG2619

MANUFACTURED IN ENGLAND BY **ALLEN & HEATH LTD**

DRAWING No. **C2619** ISSUE **3 1**

REG240



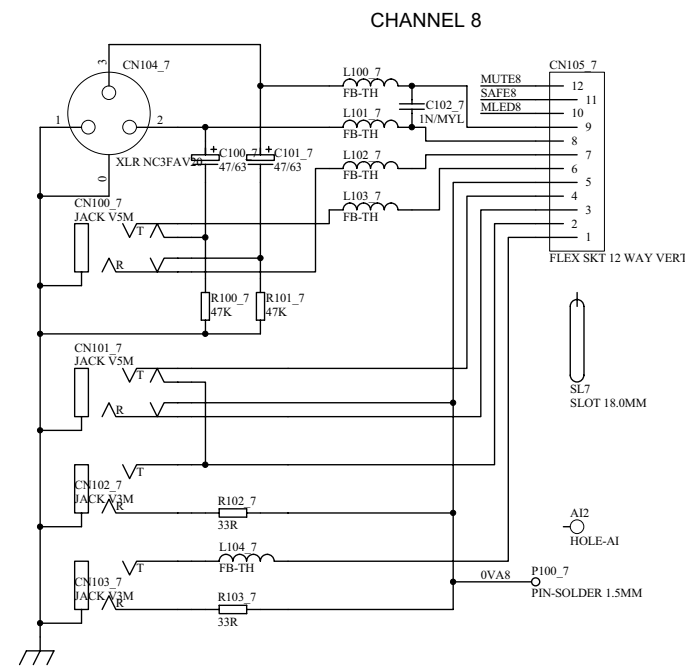
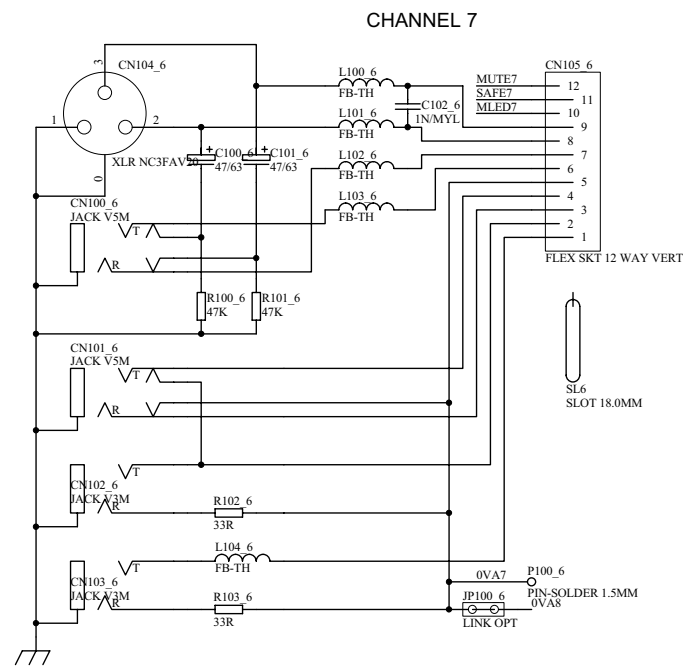
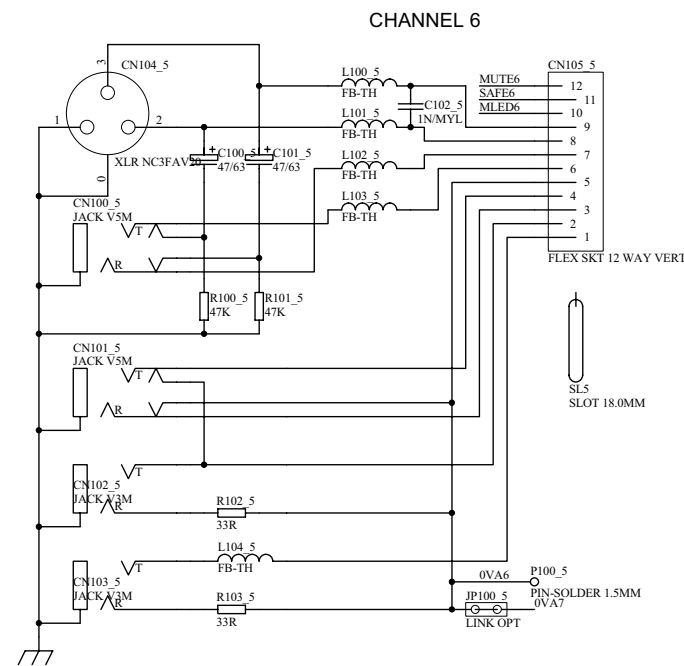
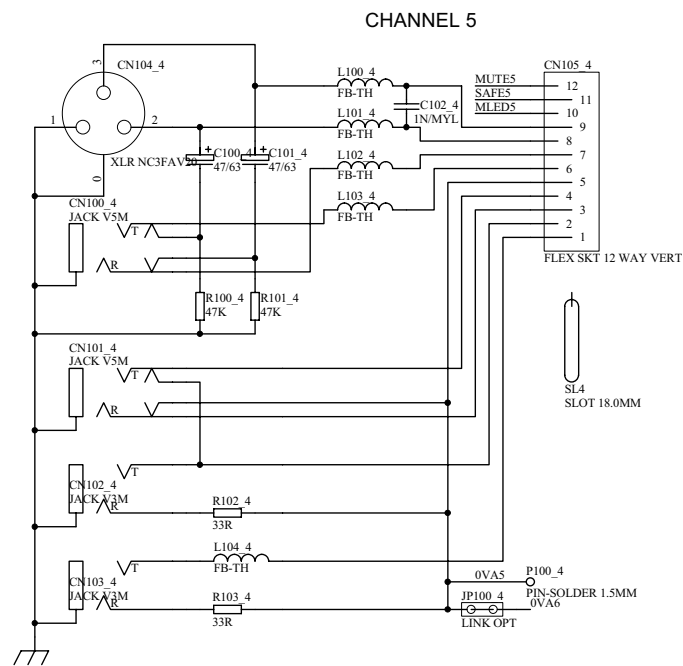
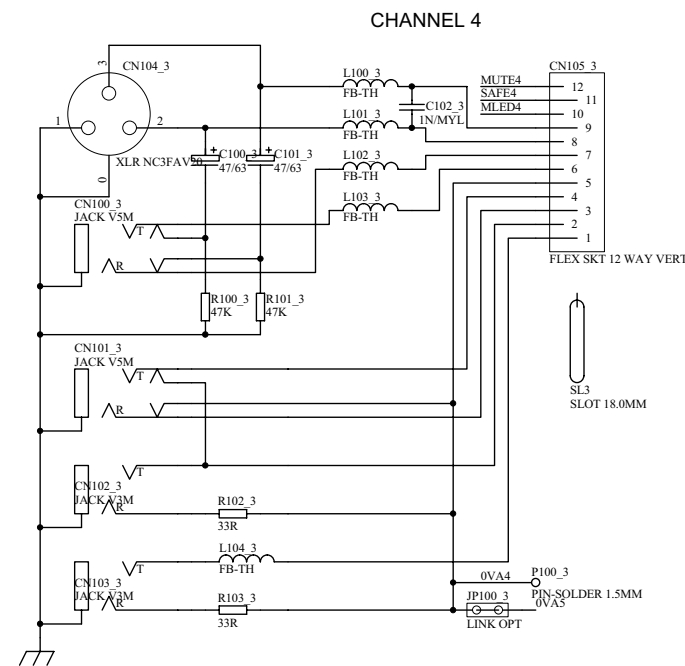
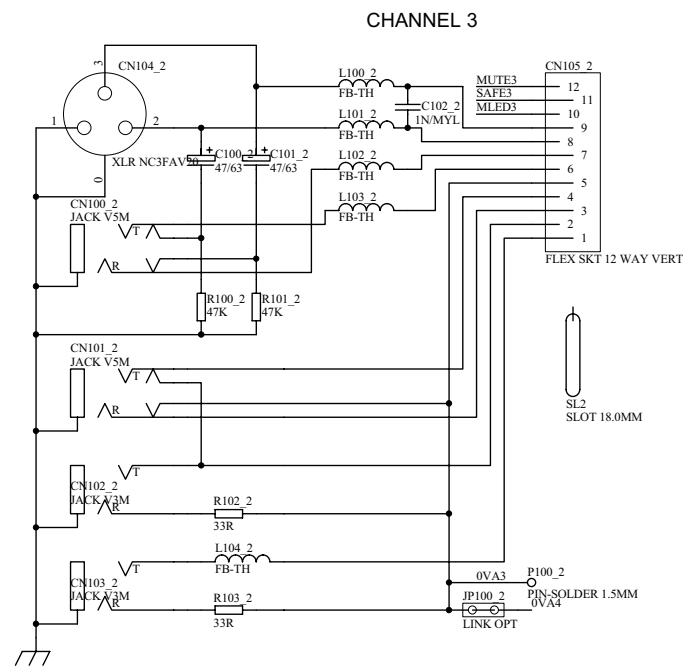
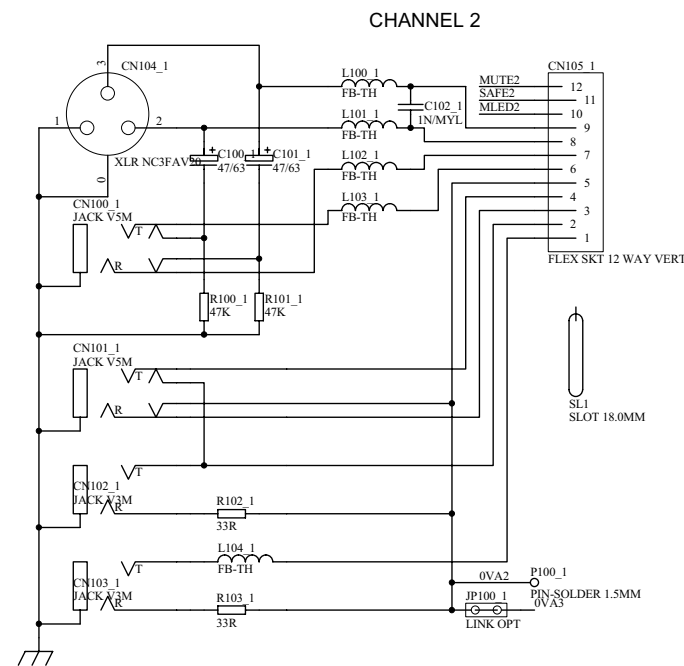
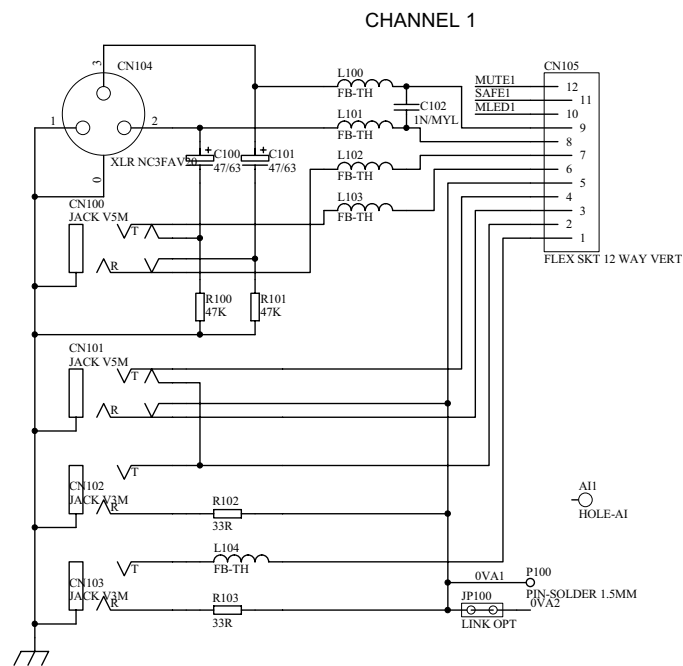
PRE-FADE AUX PRE/POST MUTE
LINK OPTION

40 WAY MAIN RIBBON

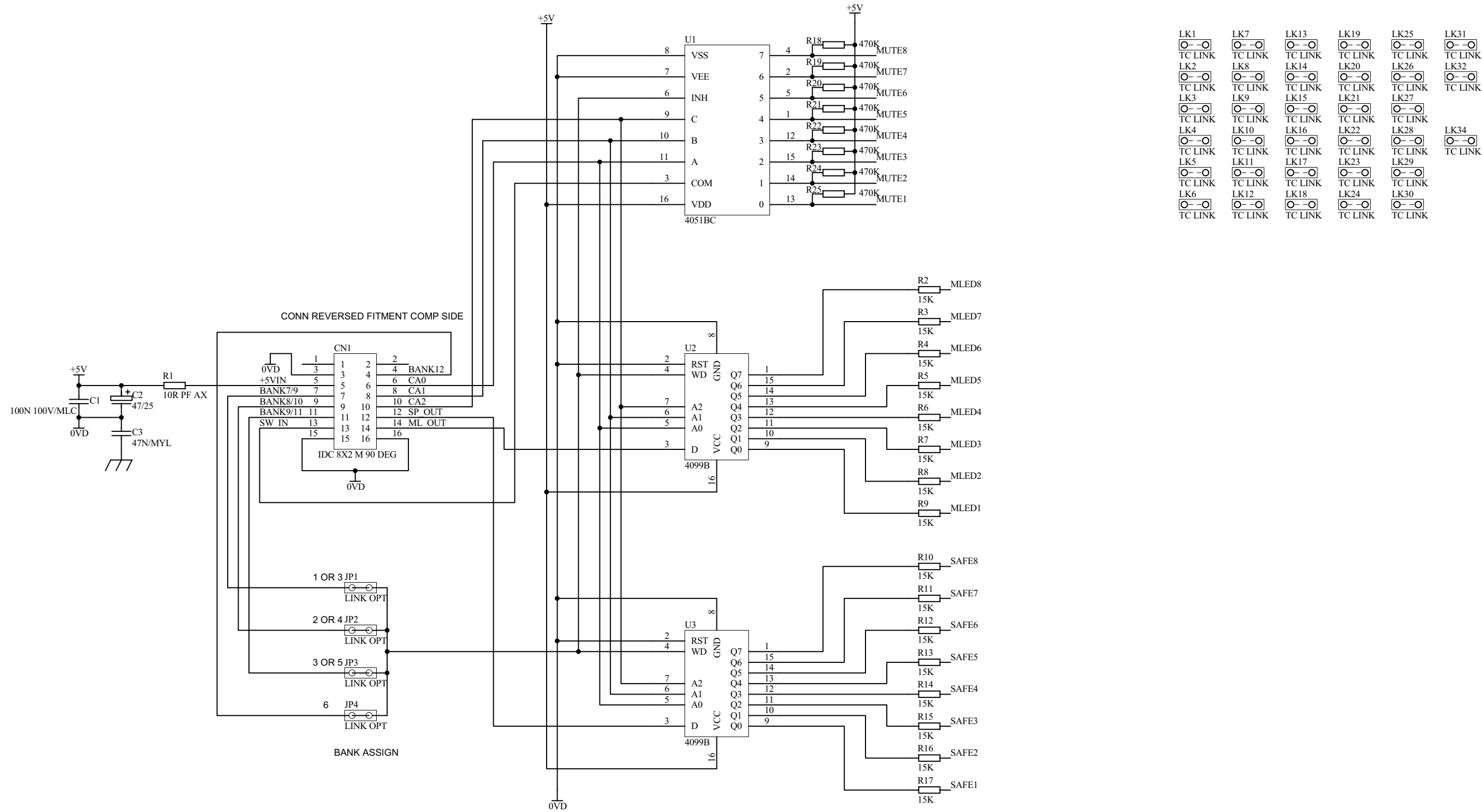
AUX PRE/POST
LINK OPTIONS

PRE-FADE AUX PRE/POST EQ
LINK OPTION

+48V PHANTOM POWER
LINK OPTION



ISSUE	BY	DATE	CHK BY
1	AAT	05-01-05	XXX
2	AAT	23-03-05	XXX



- LK1 TC LINK
- LK2 TC LINK
- LK3 TC LINK
- LK4 TC LINK
- LK5 TC LINK
- LK6 TC LINK
- LK7 TC LINK
- LK8 TC LINK
- LK9 TC LINK
- LK10 TC LINK
- LK11 TC LINK
- LK12 TC LINK
- LK13 TC LINK
- LK14 TC LINK
- LK15 TC LINK
- LK16 TC LINK
- LK17 TC LINK
- LK18 TC LINK
- LK19 TC LINK
- LK20 TC LINK
- LK21 TC LINK
- LK22 TC LINK
- LK23 TC LINK
- LK24 TC LINK
- LK25 TC LINK
- LK26 TC LINK
- LK27 TC LINK
- LK28 TC LINK
- LK29 TC LINK
- LK30 TC LINK
- LK31 TC LINK
- LK32 TC LINK
- LK33 TC LINK
- LK34 TC LINK

ALLEN&HEATH Kernick Industrial Estate, Penryn, Cornwall, England. TR10 9LU Tel: +44 (0)8707 556250 Fax: +44 (0)8707 556251	ISSUE	BY	DATE	CHK BY
	1	AAT	05-01-05	XXX
	2	AAT	23-03-05	XXX

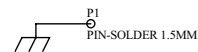
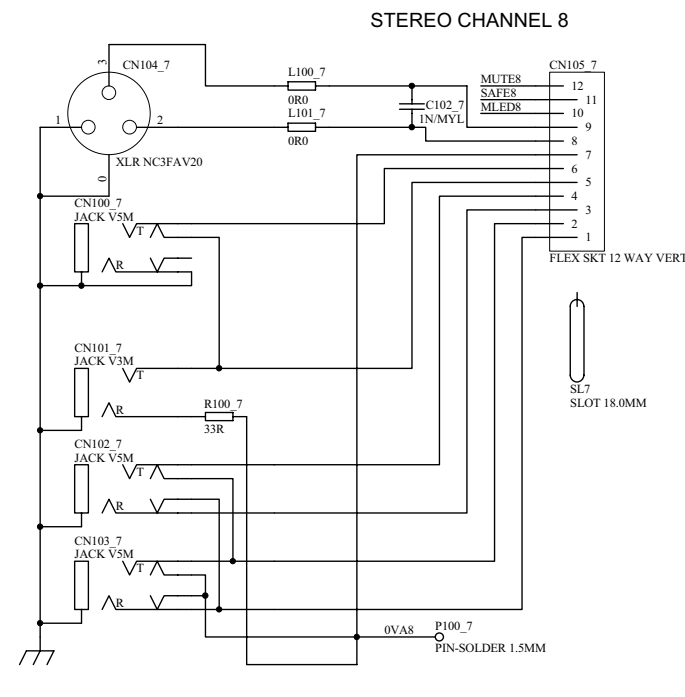
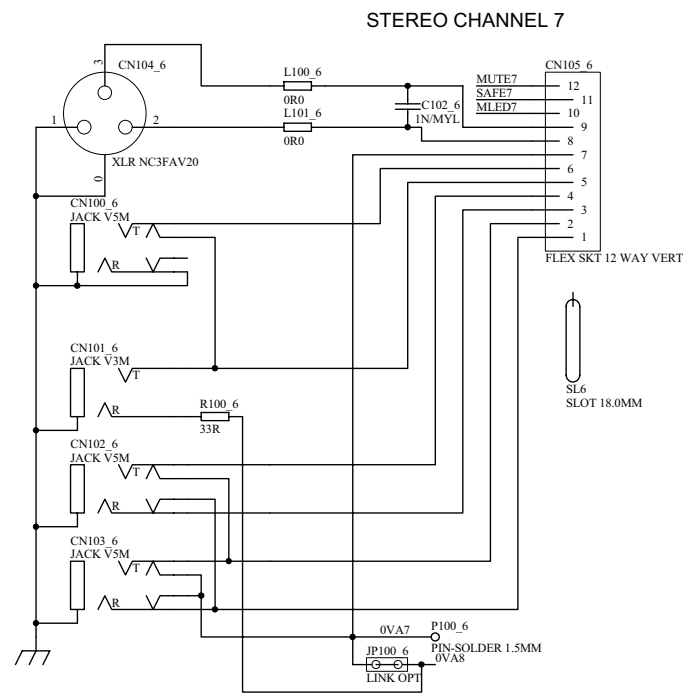
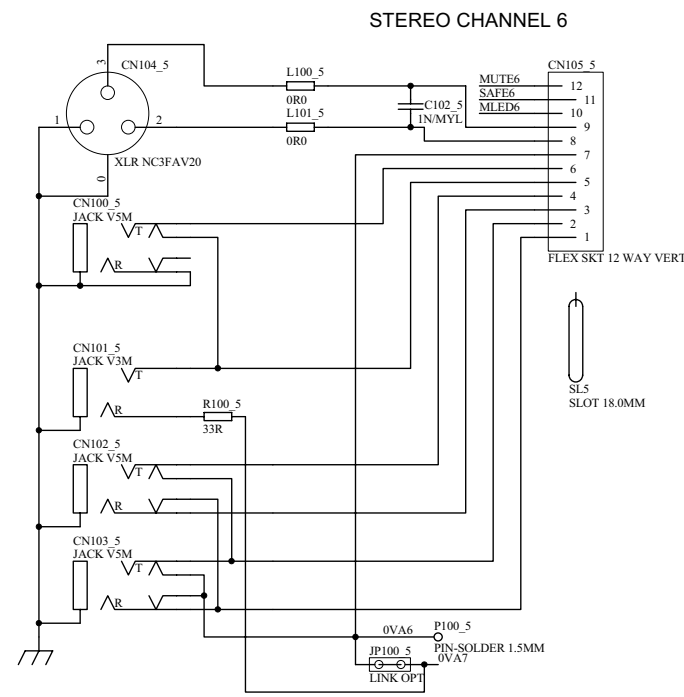
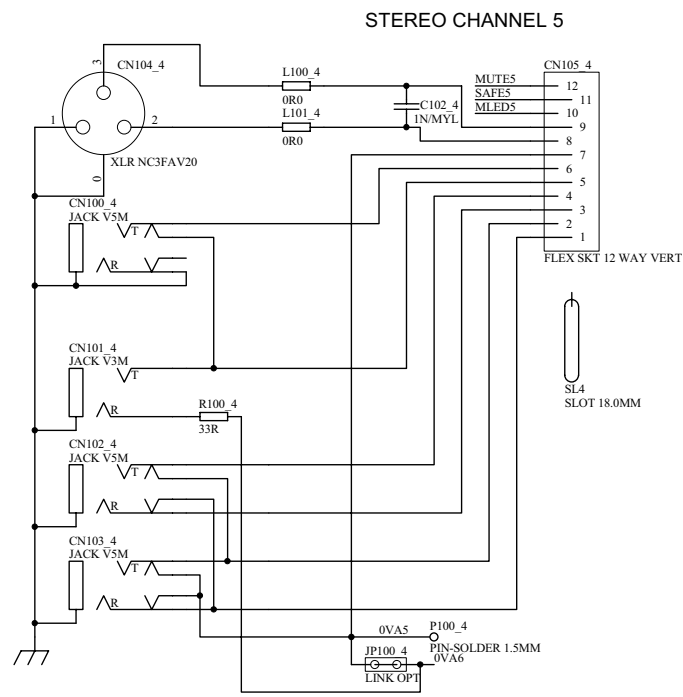
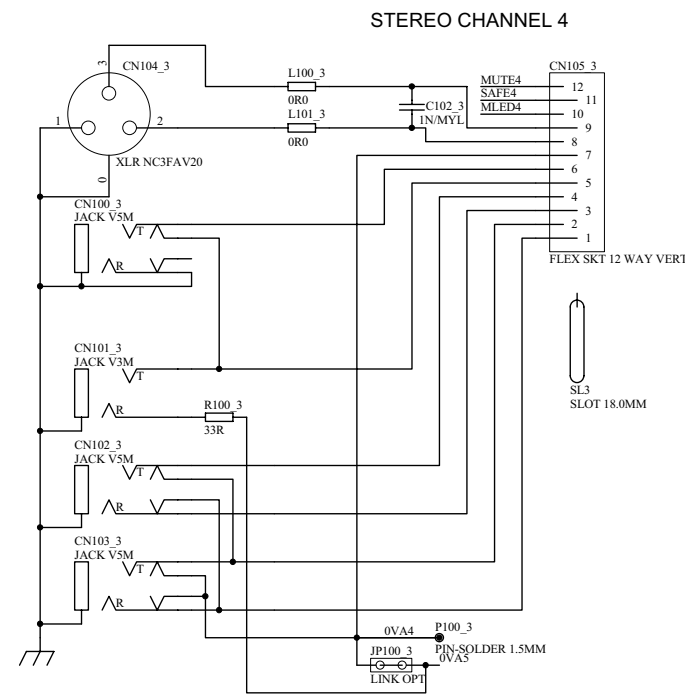
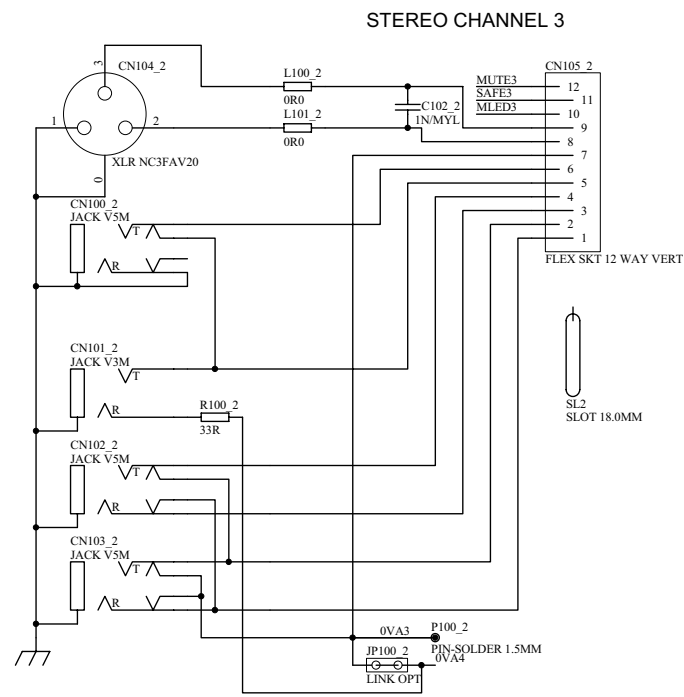
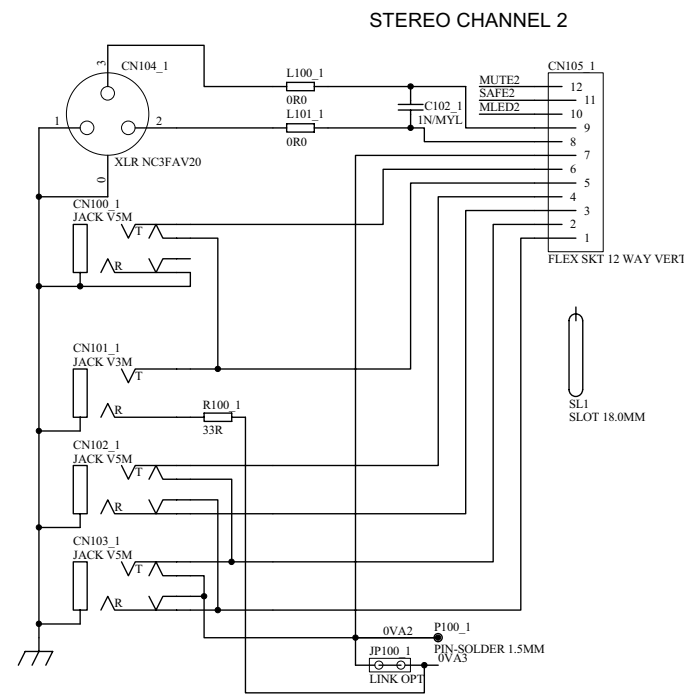
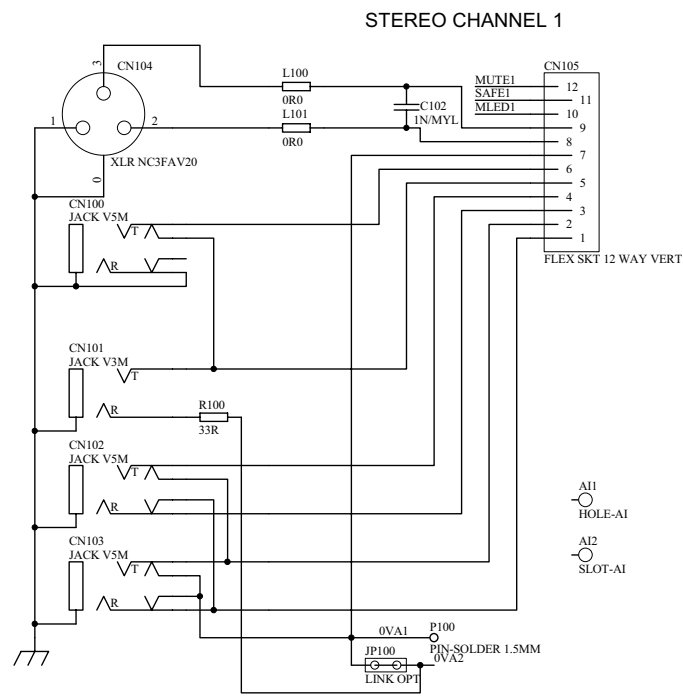
FILE: C6075_2P2.Sch

PRINTED: 12:03:03 10-May-2005

TITLE: **GL4800 IN8M CONN PCB**

PAGE:

DRG No: **C6075** ISSUE: 2 SHEET: 2 OF 2



ALLEN&HEATH
 Kernick Industrial Estate,
 Penryn, Cornwall,
 England. TR10 9LU
 Tel: +44 (0)8707 556250
 Fax: +44 (0)8707 556251

ISSUE	BY	DATE	CHK BY
1	AAT	05-01-05	XXX
2	AAT	24-03-05	XXX

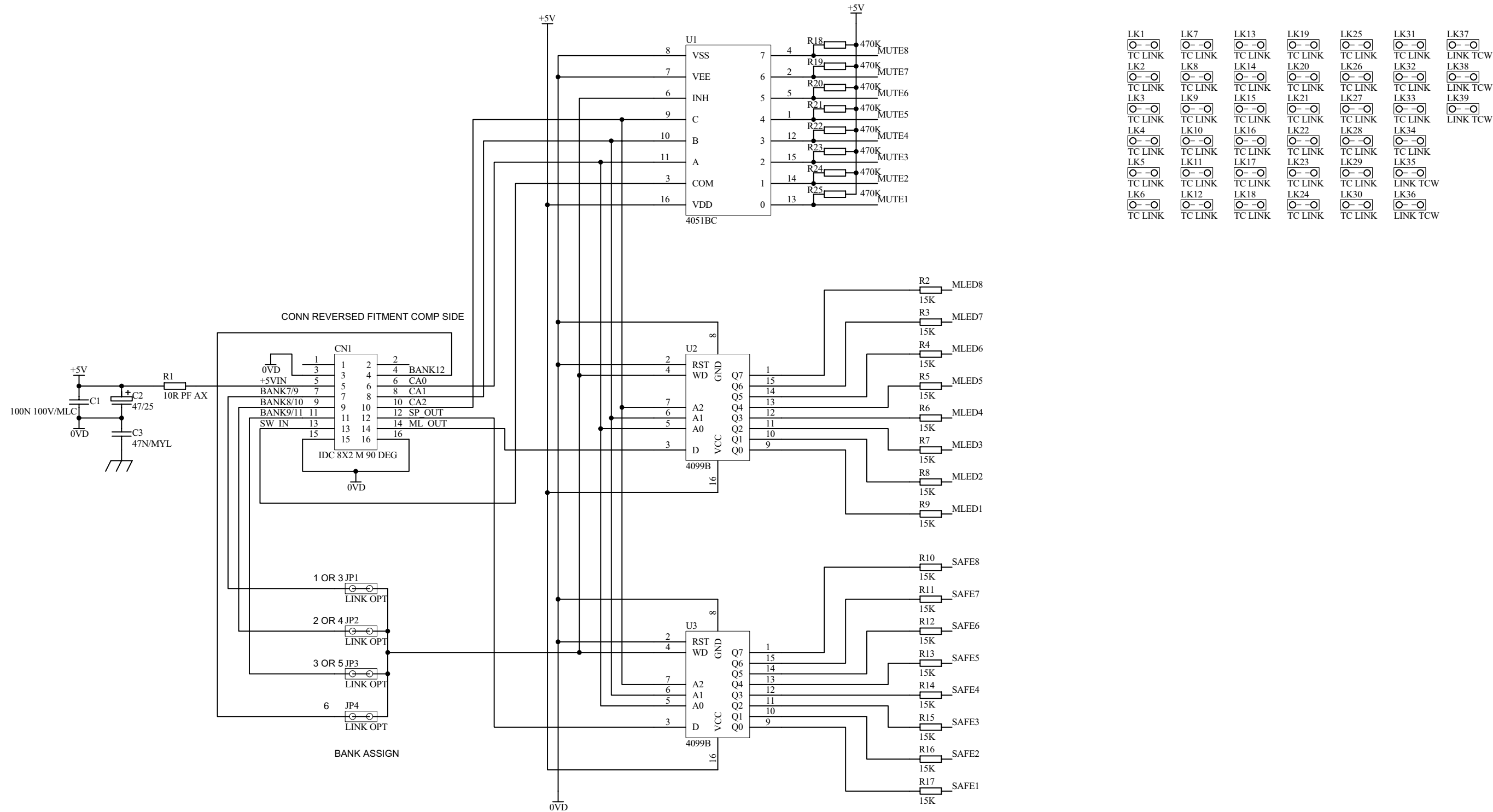
FILE: C6076_2P1.Sch

PRINTED: 11:58:39 10-May-2005

TITLE: L4D 8S CONN PCB
 PAGE:

DRG No: C6076 ISSUE: 2 SHEET: 1 OF 2

003-419 iss.2



- | | | | | | | |
|---------|---------|---------|---------|---------|----------|----------|
| LK1 | LK7 | LK13 | LK19 | LK25 | LK31 | LK37 |
| TC LINK | TC LINK | TC LINK | TC LINK | TC LINK | TC LINK | LINK TCW |
| LK2 | LK8 | LK14 | LK20 | LK26 | LK32 | LK38 |
| TC LINK | TC LINK | TC LINK | TC LINK | TC LINK | TC LINK | LINK TCW |
| LK3 | LK9 | LK15 | LK21 | LK27 | LK33 | LK39 |
| TC LINK | TC LINK | TC LINK | TC LINK | TC LINK | TC LINK | LINK TCW |
| LK4 | LK10 | LK16 | LK22 | LK28 | LK34 | |
| TC LINK | TC LINK | TC LINK | TC LINK | TC LINK | TC LINK | |
| LK5 | LK11 | LK17 | LK23 | LK29 | LK35 | |
| TC LINK | TC LINK | TC LINK | TC LINK | TC LINK | LINK TCW | |
| LK6 | LK12 | LK18 | LK24 | LK30 | LK36 | |
| TC LINK | TC LINK | TC LINK | TC LINK | TC LINK | LINK TCW | |
| LK7 | LK13 | LK19 | LK25 | LK31 | LK37 | |
| TC LINK | TC LINK | TC LINK | TC LINK | TC LINK | LINK TCW | |

ALLEN&HEATH

Kernick Industrial Estate,
Penryn, Cornwall,
England. TR10 9LU
Tel: +44 (0)8707 556250
Fax: +44 (0)8707 556251

ISSUE	BY	DATE	CHK BY
1	AAT	05-01-05	XXX
2	AAT	24-03-05	XXX

FILE: C6076_2P2.Sch

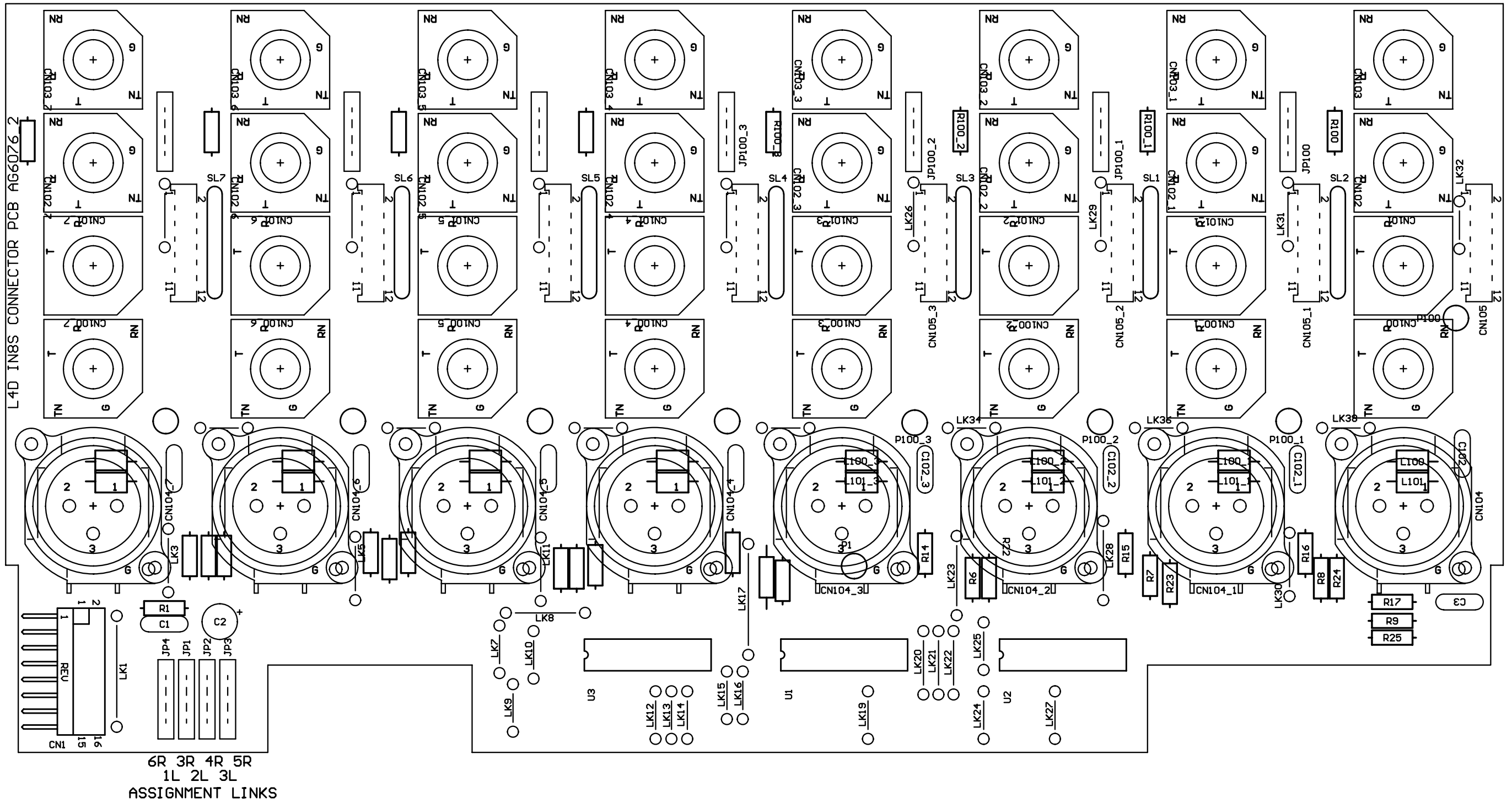
TITLE: L4D 8S CONN PCB

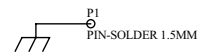
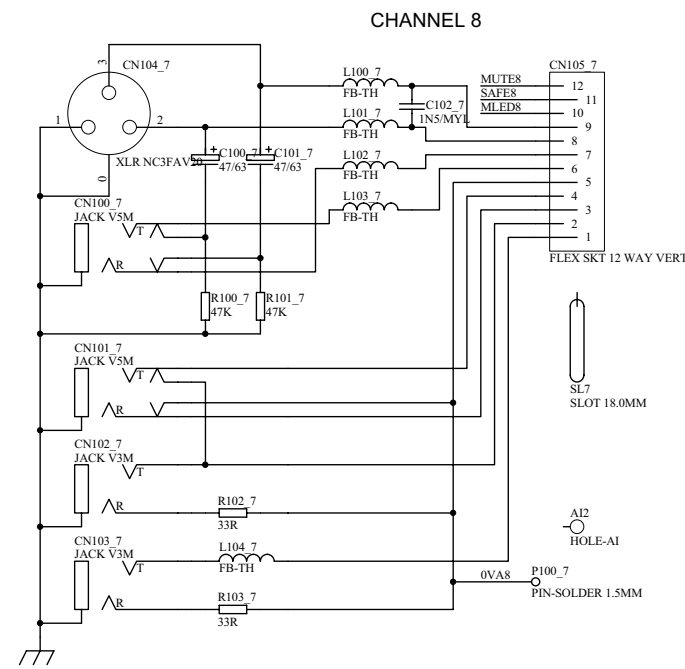
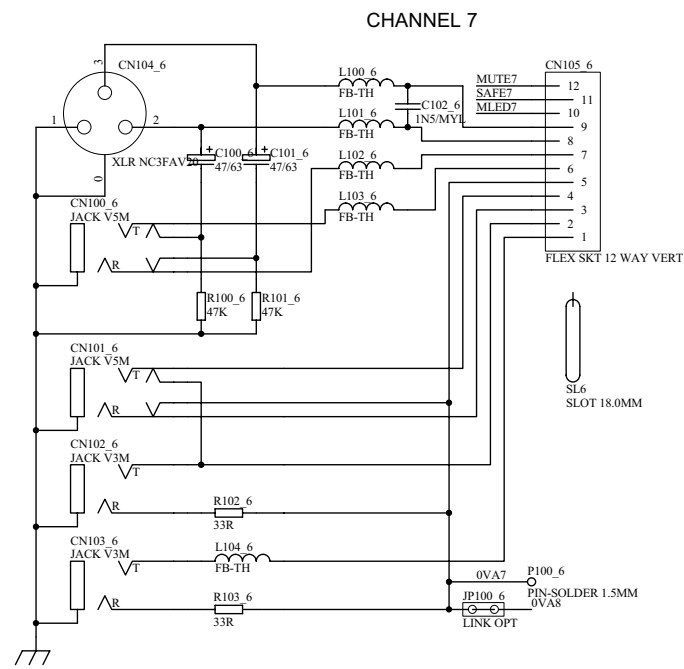
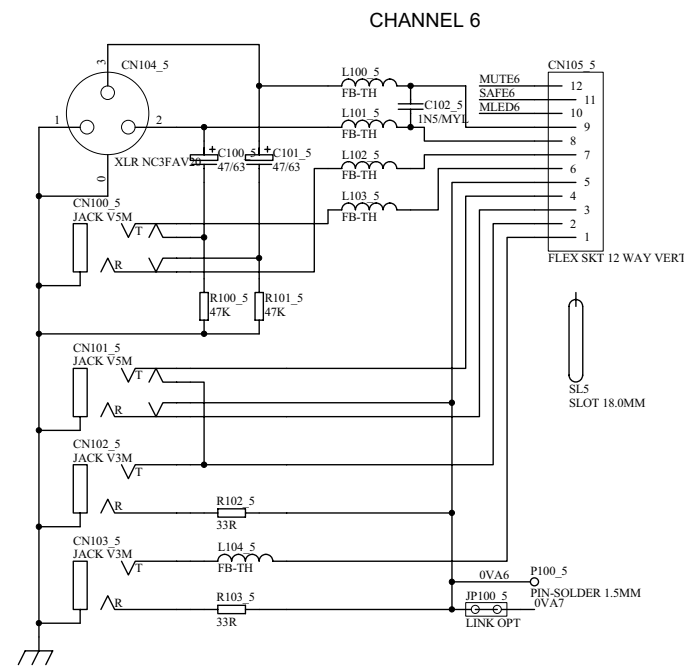
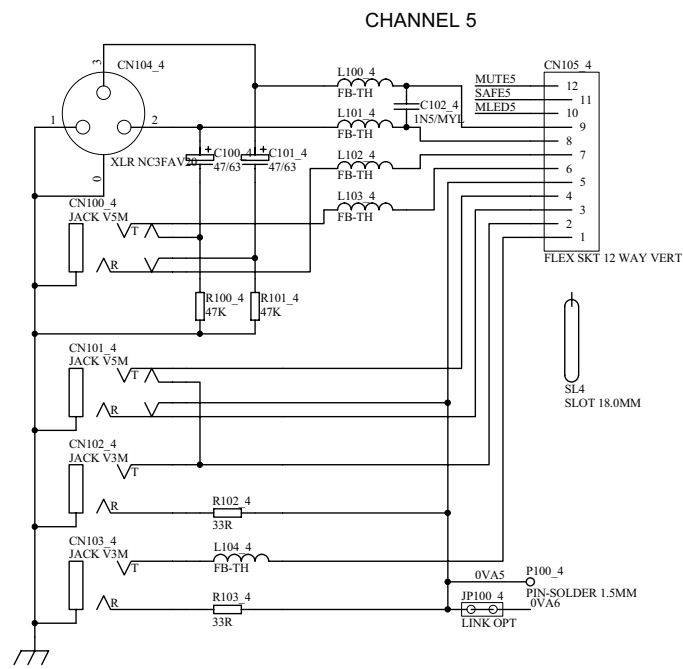
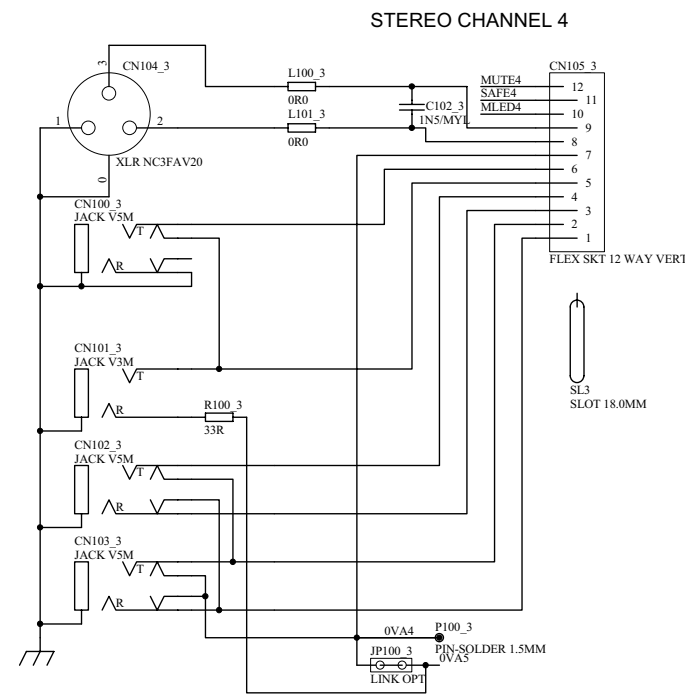
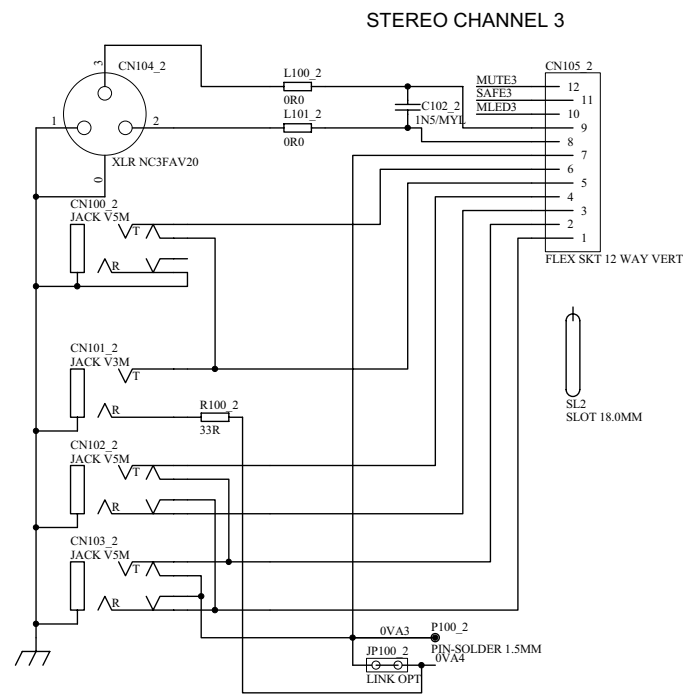
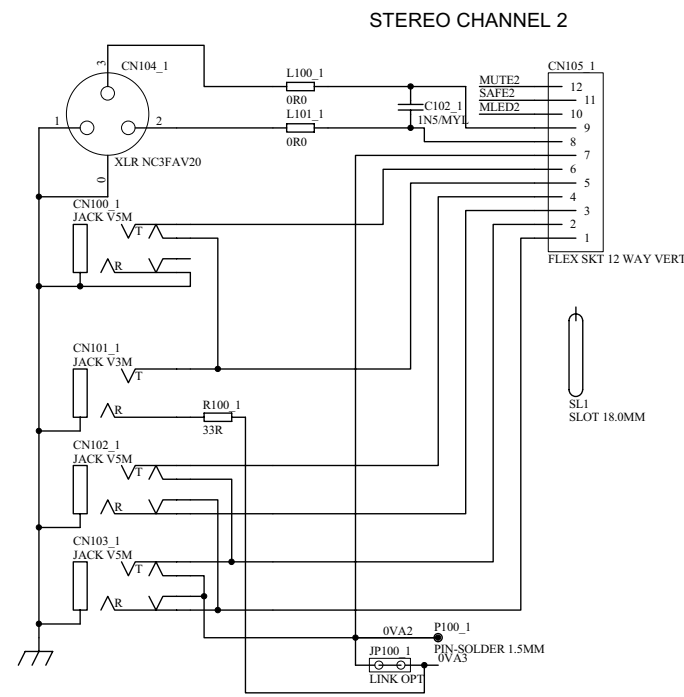
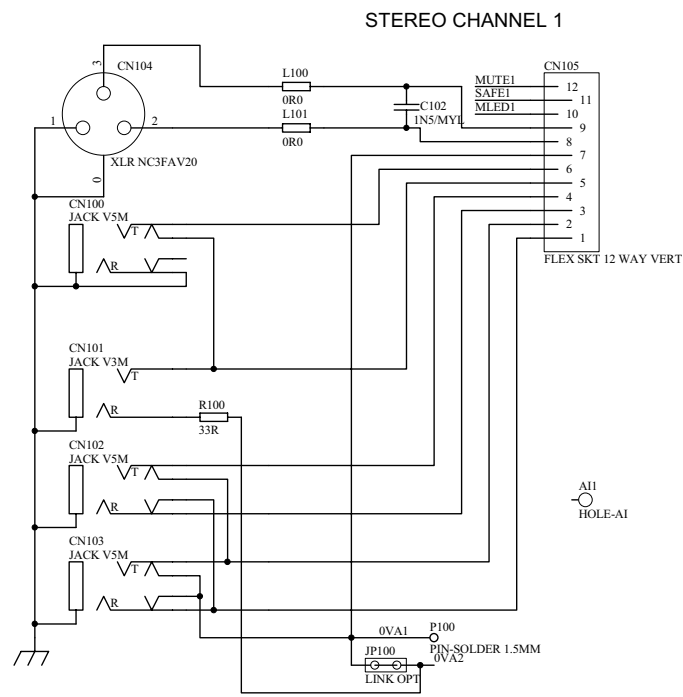
PAGE:

DRG No: C6076 ISSUE: 2 SHEET: 2 OF 2

PRINTED: 11:58:40 10-May-2005

ST CHANNEL 8 ST CHANNEL 7 ST CHANNEL 6 ST CHANNEL 5 ST CHANNEL 4 ST CHANNEL 3 ST CHANNEL 2 ST CHANNEL 1





ALLEN&HEATH
 Kernick Industrial Estate,
 Penryn, Cornwall,
 England. TR10 9LU
 Tel: +44 (0)8707 556250
 Fax: +44 (0)8707 556251

ISSUE	BY	DATE	CHK BY
1	AAT	05-01-05	XXX
2	AAT	29-03-05	XXX

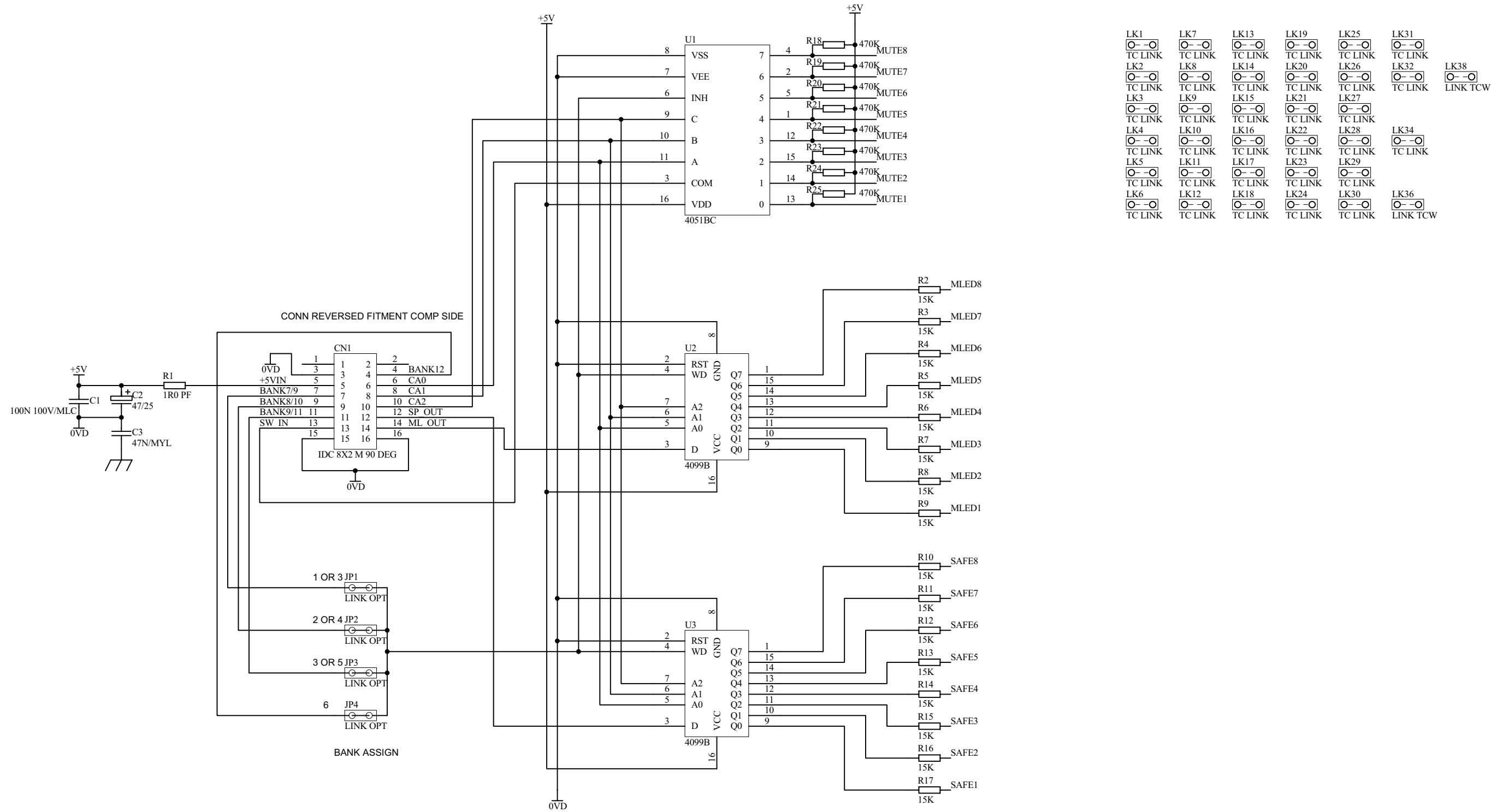
FILE: C6077_2P1.Sch

PRINTED: 11:29:52 10-May-2005

TITLE: GL4800 SM CONN PCB
 PAGE:

DRG No: C6077 ISSUE: 2 SHEET: 1 OF 2

003-417 iss.2



ALLEN&HEATH

Kernick Industrial Estate,
Penryn, Cornwall,
England. TR10 9LU
Tel: +44 (0)8707 556250
Fax: +44 (0)8707 556251

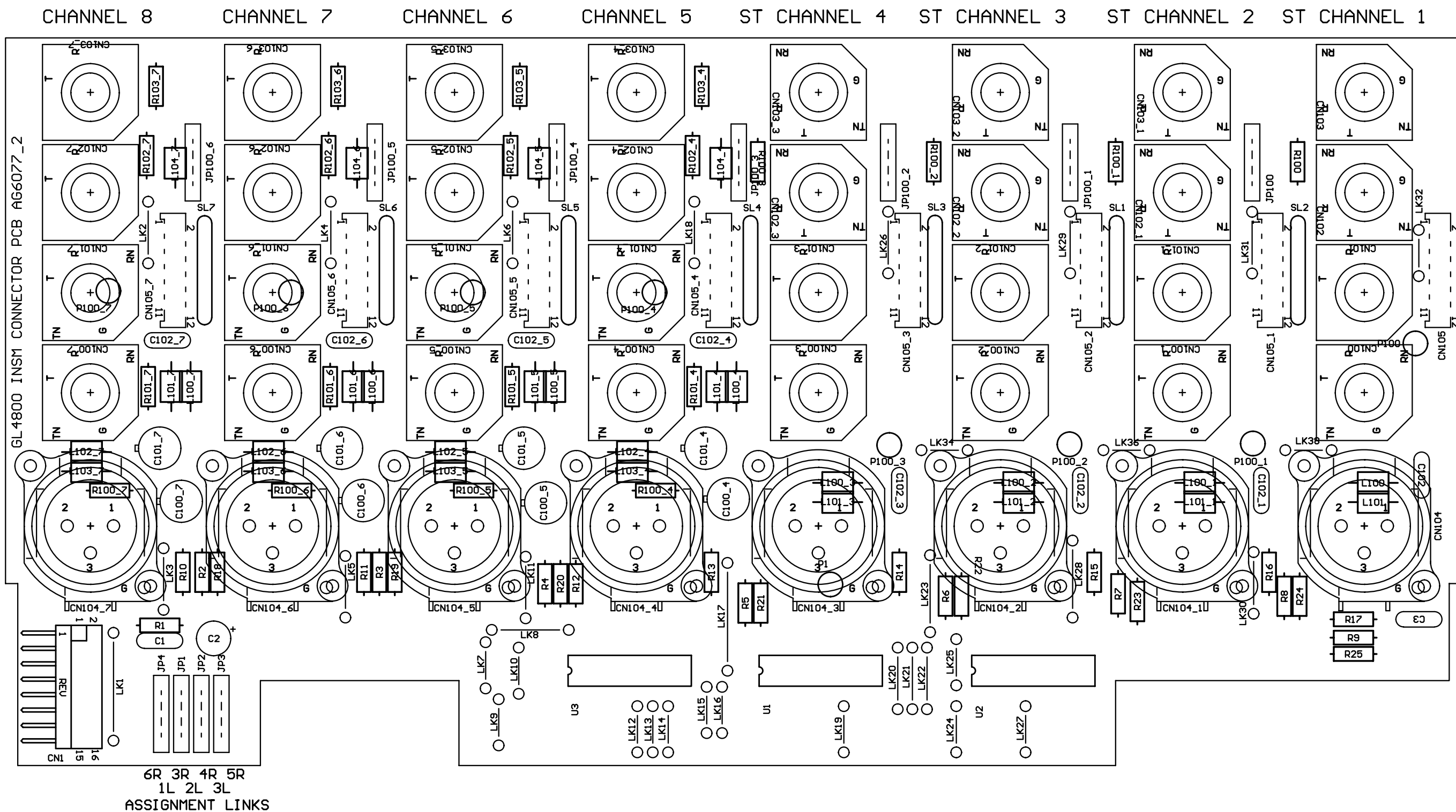
ISSUE	BY	DATE	CHK BY
1	AAT	05-01-05	XXX
2	AAT	29-03-05	XXX

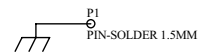
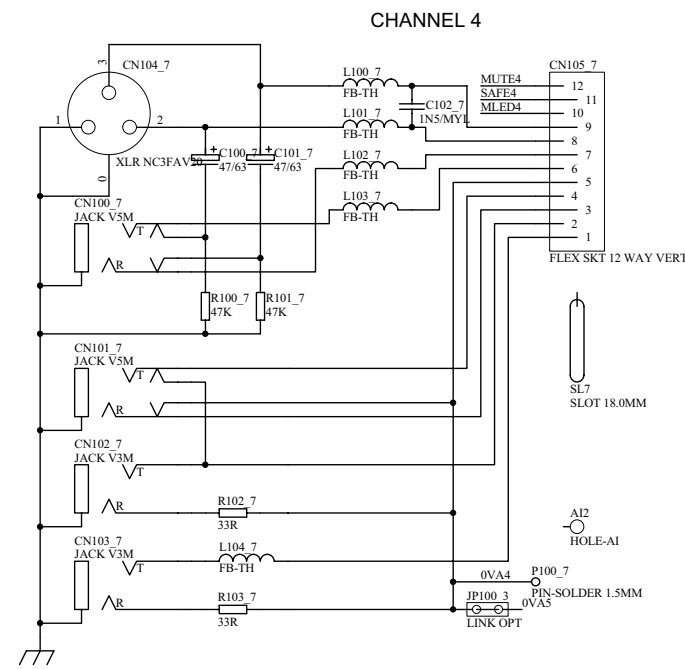
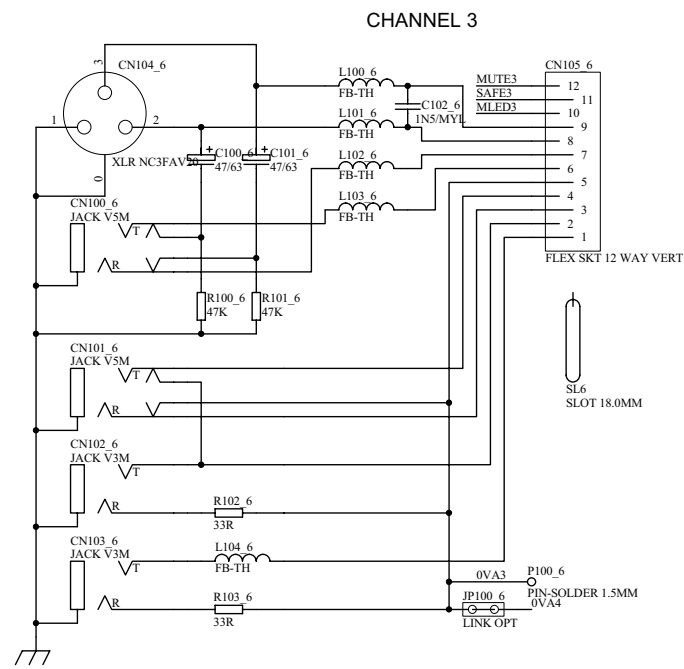
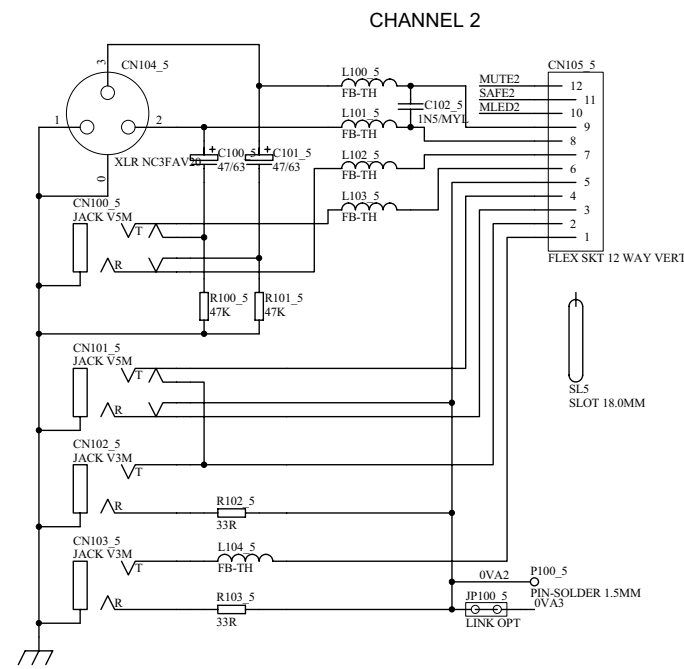
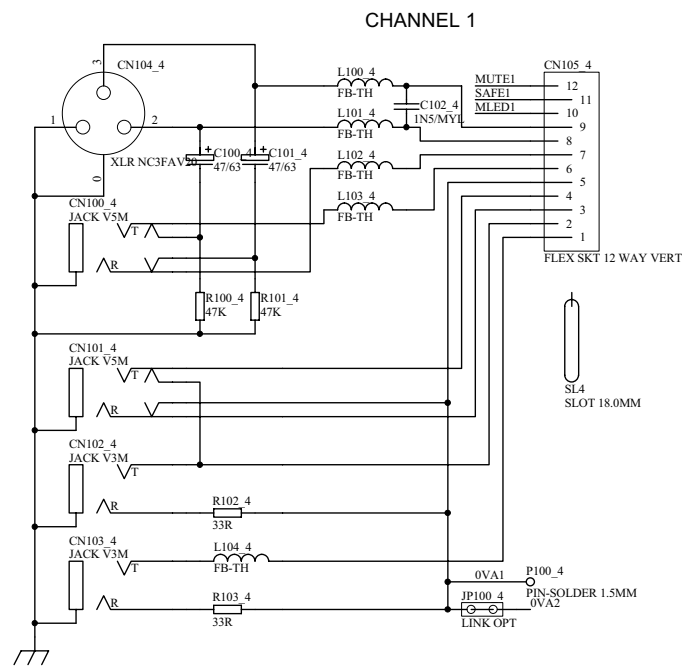
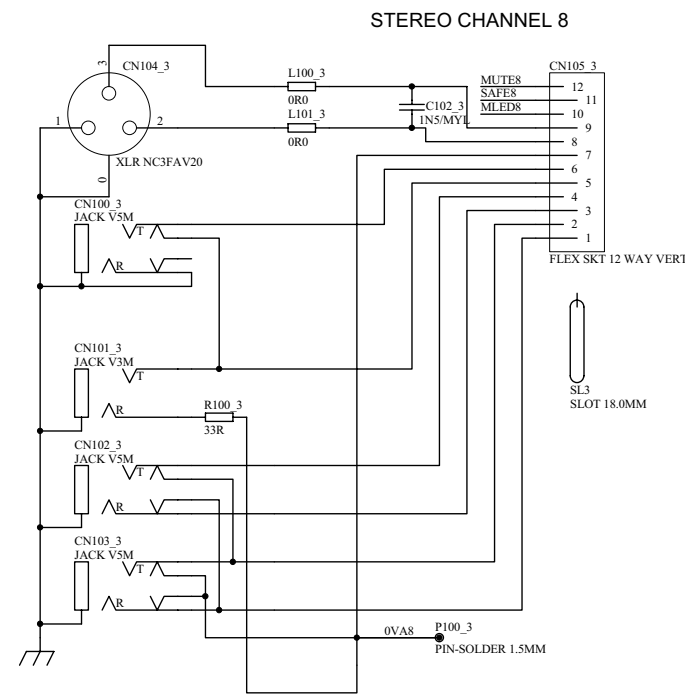
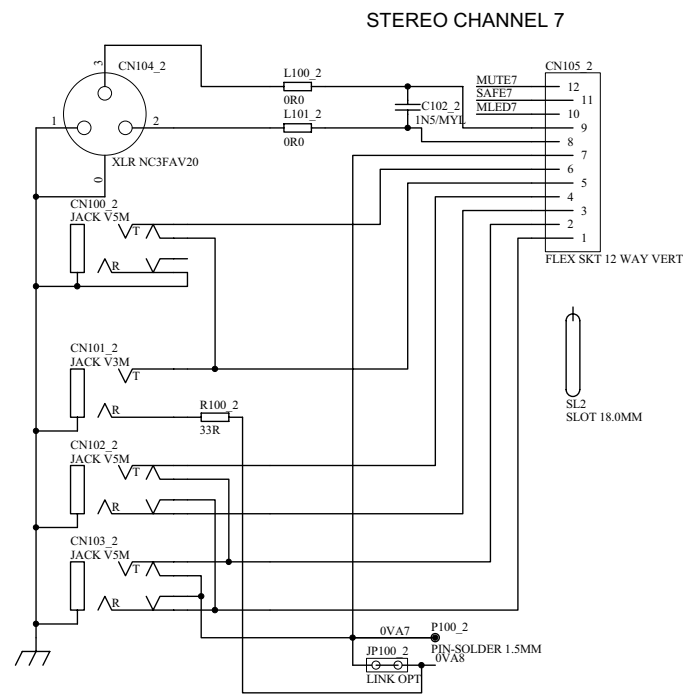
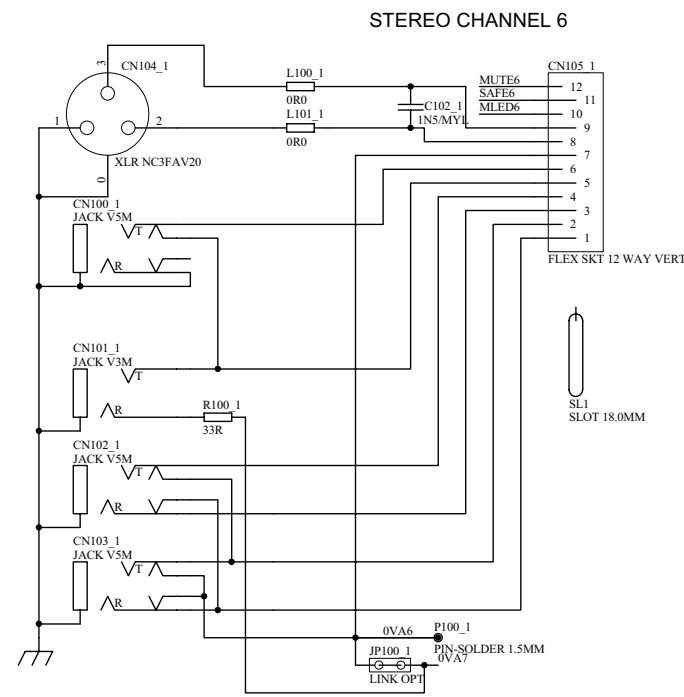
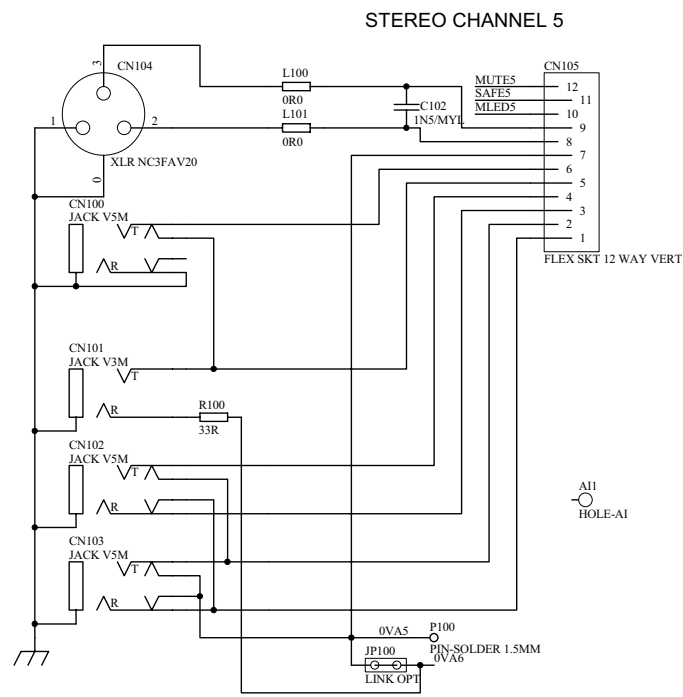
FILE: C6077_2P2.Sch

TITLE: **GL4800 SM CONN PCB**

PAGE:
DRG No: **C6077** ISSUE: **2** SHEET: **2 OF 2**

PRINTED: 11:29:52 10-May-2005





ALLEN&HEATH
 Kernick Industrial Estate,
 Penryn, Cornwall,
 England. TR10 9LU
 Tel: +44 (0)8707 556250
 Fax: +44 (0)8707 556251

ISSUE	BY	DATE	CHK BY
1	AAT	05-01-05	XXX
2	AAT	29-03-05	XXX

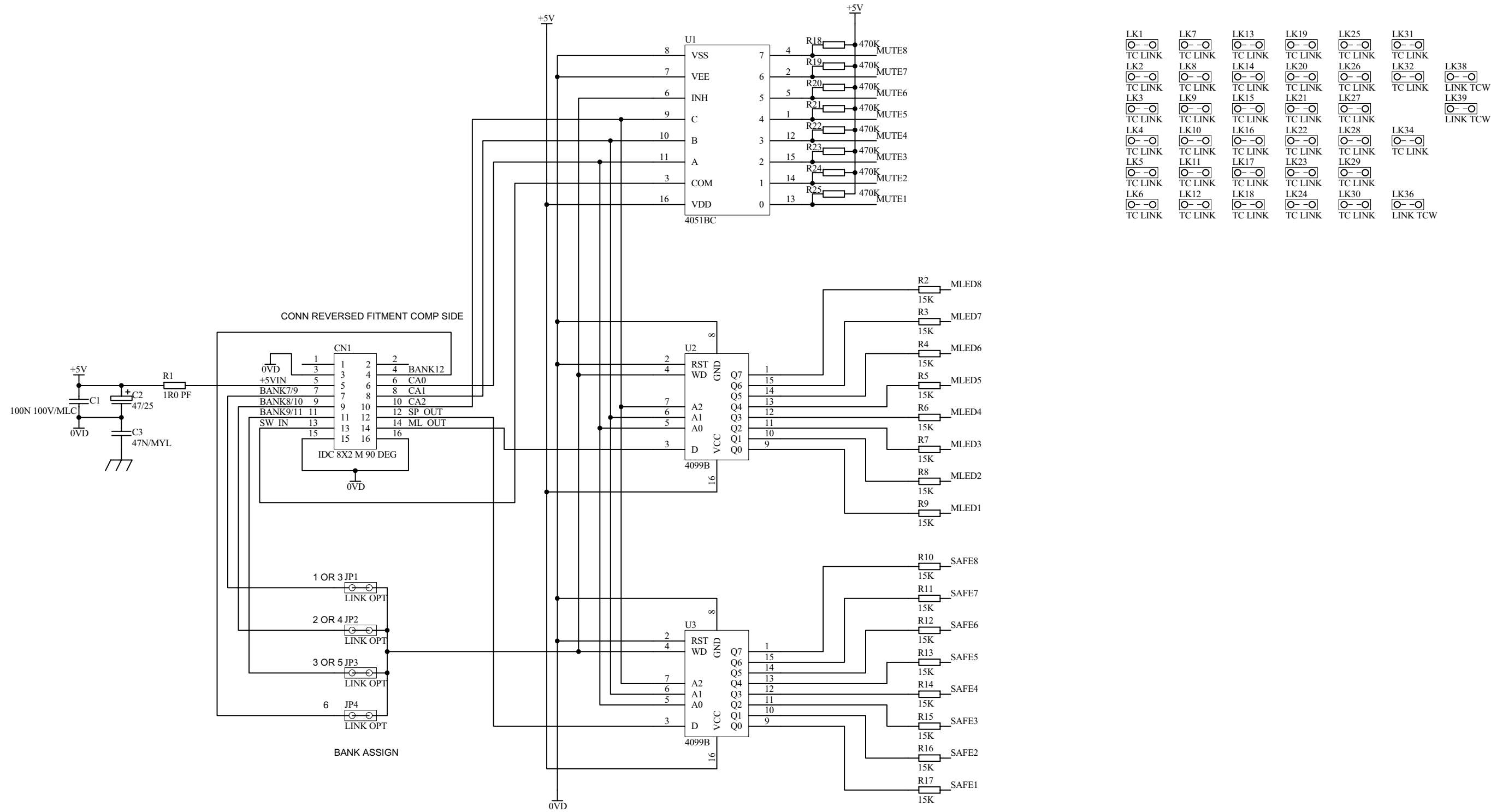
FILE: C6078_2P1.Sch

PRINTED: 11:47:30 10-May-2005

TITLE: GL4800 MS CONN PCB
 PAGE:

DRG No: C6078 ISSUE: 2 SHEET: 1 OF 2

003-418 iss.2



- LK1 TC LINK
- LK2 TC LINK
- LK3 TC LINK
- LK4 TC LINK
- LK5 TC LINK
- LK6 TC LINK
- LK7 TC LINK
- LK8 TC LINK
- LK9 TC LINK
- LK10 TC LINK
- LK11 TC LINK
- LK12 TC LINK
- LK13 TC LINK
- LK14 TC LINK
- LK15 TC LINK
- LK16 TC LINK
- LK17 TC LINK
- LK18 TC LINK
- LK19 TC LINK
- LK20 TC LINK
- LK21 TC LINK
- LK22 TC LINK
- LK23 TC LINK
- LK24 TC LINK
- LK25 TC LINK
- LK26 TC LINK
- LK27 TC LINK
- LK28 TC LINK
- LK29 TC LINK
- LK30 TC LINK
- LK31 TC LINK
- LK32 TC LINK
- LK33 TC LINK
- LK34 TC LINK
- LK35 TC LINK
- LK36 LINK TCW
- LK37 LINK TCW
- LK38 LINK TCW
- LK39 LINK TCW

ALLEN&HEATH
 Kernick Industrial Estate,
 Penryn, Cornwall,
 England. TR10 9LU
 Tel: +44 (0)8707 556250
 Fax: +44 (0)8707 556251

ISSUE	BY	DATE	CHK BY
1	AAT	05-01-05	XXX
2	AAT	29-03-05	XXX

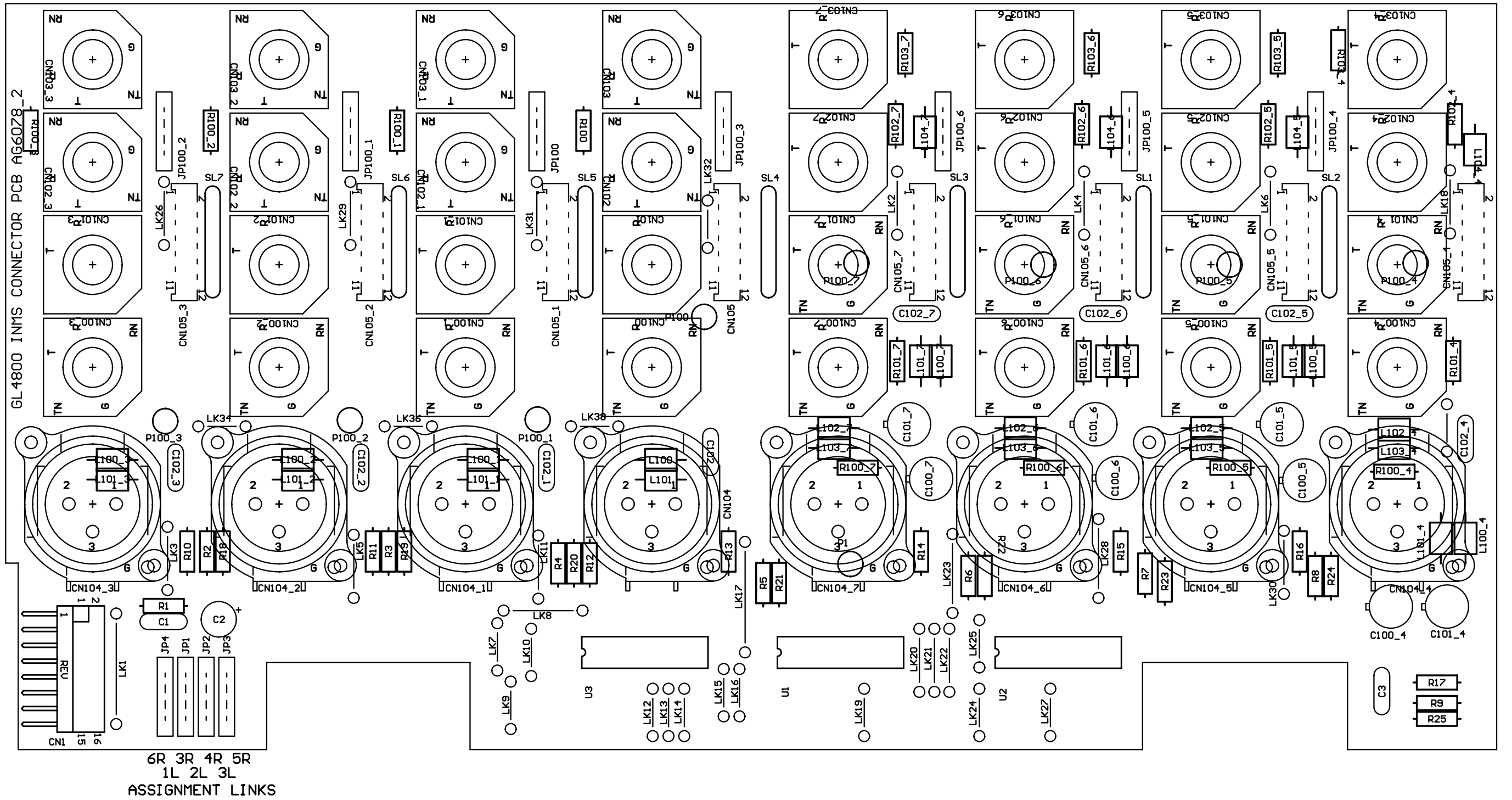
FILE: C6078_2P2.Sch

TITLE: **GL4800 MS CONN PCB**
 PAGE:

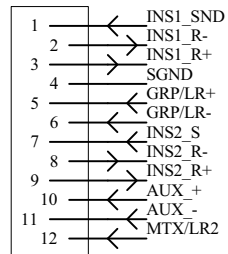
PRINTED: 11:47:30 10-May-2005

DRG No: **C6078** ISSUE: 2 SHEET: 2 OF 2

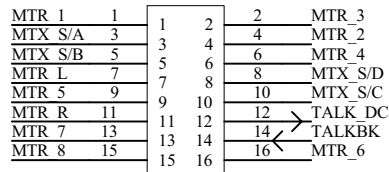
ST CHANNEL 8 ST CHANNEL 7 ST CHANNEL 6 ST CHANNEL 5 CHANNEL 4 CHANNEL 3 CHANNEL 2 CHANNEL 1



FLEXI TO MASTER PCB

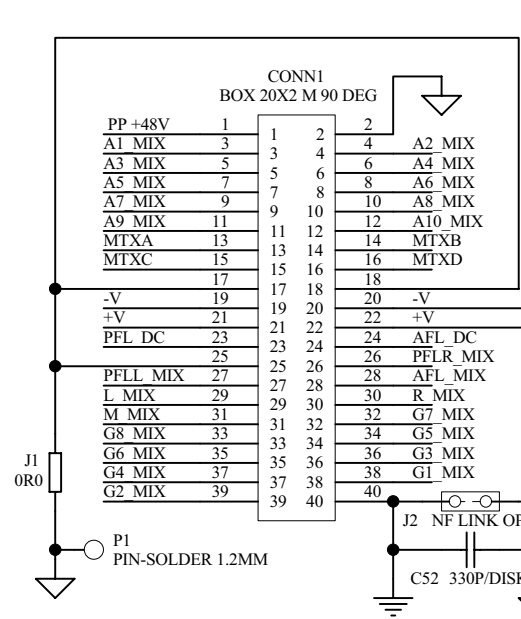


CONN2
FLEX SKT 12 WAY 90 DEG



CONN3
BOX 8X2 M 90 DEG

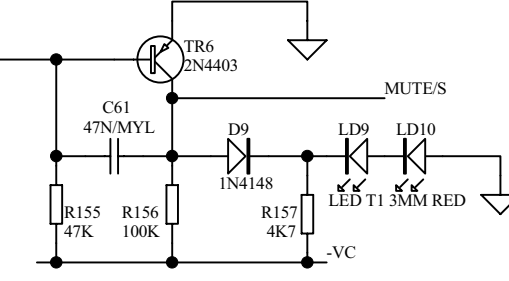
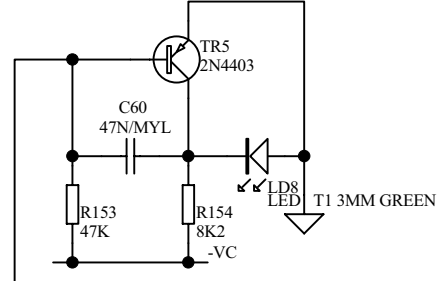
40 WAY RIBBON



MUTE/SAFE CIRCUIT CONTROL FROM SLAVE CARD

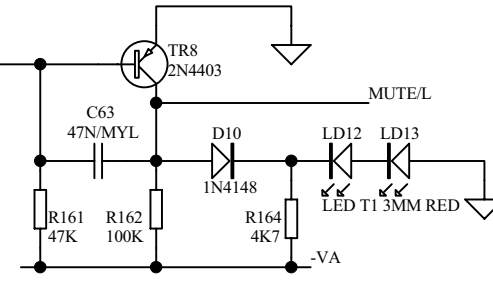
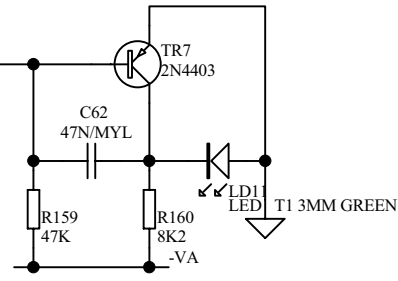
SMALL FADER SAFE/PREVIEW

SMALL FADER MUTE



LARGE FADER SAFE/PREVIEW

LARGE FADER MUTE

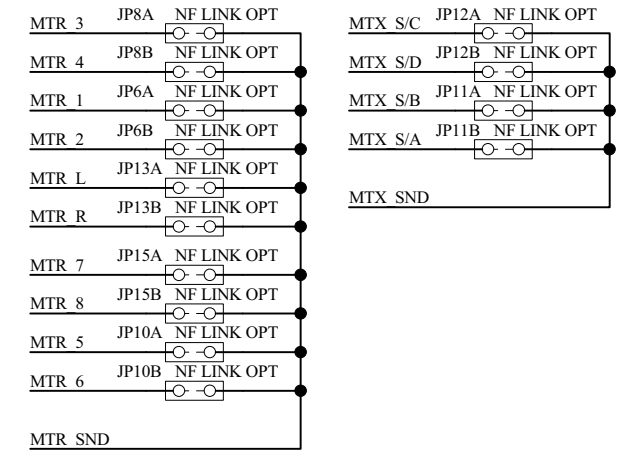


GROUP BOARD ASSIGNMENT

COMPONENT	1 - 4	5 - 8	9 - 10 (L&R)
FB1	NF	POS 5 ONLY	NF
FB2	NF	POS 6 ONLY	NF
FB3	NF	POS 7 ONLY	NF
FB4	NF	POS 8 ONLY	NF
FB6	POS 2 ONLY	NF	NF
FB7	POS 1 ONLY	NF	NF
FB8	POS 3 ONLY	NF	NF
FB9	POS 4 ONLY	NF	NF
FB11	POS 1 ONLY	NF	NF
FB12	POS 2 ONLY	NF	NF
FB13	POS 3 ONLY	NF	NF
FB14	POS 4 ONLY	NF	NF
FB15	NF	POS 5 ONLY	NF
FB16	NF	POS 6 ONLY	NF
FB17	NF	POS 7 ONLY	NF
FB18	NF	POS 8 ONLY	NF
FB19	NF	NF	POS 9 ONLY
FB20	NF	NF	POS 10 ONLY
FB21	POS 1 ONLY	NF	NF
FB22	POS 2 ONLY	NF	NF
FB23	POS 3 ONLY	NF	NF
FB24	POS 4 ONLY	NF	NF
FB25	NF	POS 5 ONLY	NF
FB26	NF	POS 6 ONLY	NF
FB27	NF	POS 7 ONLY	NF
FB28	NF	POS 8 ONLY	NF
FB29	NF	NF	POS 9 ONLY
FB30	NF	NF	POS 10 ONLY
R171	NF	NF	22K
J1	LINK	LINK	LINK
J2	NF	NF	NF
J6	POS 1S - 2L	NF	NF
J8	POS 3S - 4L	NF	NF
J10	NF	POS 5S - 6L	Text
J11	NF	POS 5L - 6S	Text
J12	NF	POS 7S - 8L	Text
J13	NF	NF	POS 9S - 10L
J15	NF	POS 7S - 8L	NF
J27	LINK	NF	NF
J28	LINK	NF	NF
J29	LINK	NF	NF
J30	NF	NF	LINK
J31	LINK	LINK	LINK
J32	NF	NF	NF
J33	LINK	LINK	LINK
J34	NF	NF	NF
J35	NF	NF	LINK
J36	LINK	LINK	LINK
J37	NF	NF	NF

COMPONENT	1 - 4	5 - 8	9 - 10
L8	NF	F	F
C1	NF	F	NF
C2	F	F	NF
C3	NF	F	F
C4	NF	F	F
C5	NF	F	F
C6	NF	F	F
C12	NF	F	F
C14	NF	F	F
C37	NF	NF	F
C49	F	F	NF
C67	NF	F	F
C76	F	F	NF
IC2	NF	F	F
IC5	F	F	F
L9	NF	F	F
L13	NF	F	F
L74	NF	NF	F
L75	NF	NF	F
L82	NF	NF	F
L83	NF	NF	F
L86	NF	F	NF
L94	F	F	NF
L97	NF	F	F
L100	NF	F	F
L105	NF	F	F
LD1	NF	F	F
LD2	NF	F	F
R1	NF	F	NF
R2	F	F	NF
R3	NF	F	NF
R4	NF	F	F
R5	NF	F	F
R6	NF	F	F
R7	NF	F	F
R8	NF	F	F
R9	NF	F	F
R10	NF	F	F
R11	NF	F	F
R12	NF	F	F
R21	F	NF	NF
R43	NF	F	F
R44	NF	F	F
R46	NF	F	F
R47	NF	F	F
R123	F	F	NF
R124	F	F	NF
R145	F	F	NF
R146	F	F	NF
SW1	NF	F	F
SW2	NF	F	F
SW3	NF	F	F
SW6	F	F	NF
SW9	F	F	NF
SW10	F	F	NF
SW13	F	NF	NF
VR1	NF	F	F
VR2	F	F	NF

MATRIX & METER BRIDGE ASSIGNMENT LINKS



ALLEN&HEATH

Kernick Industrial Estate,
Penryn, Cornwall,
England. TR10 9LU
Tel: +44 (0)1326 372070
Fax: +44 (0)1326 370153

ISSUE 3.3 BY JB DATE CHK BY 15/03/04 CONVERTED TO PROTEL

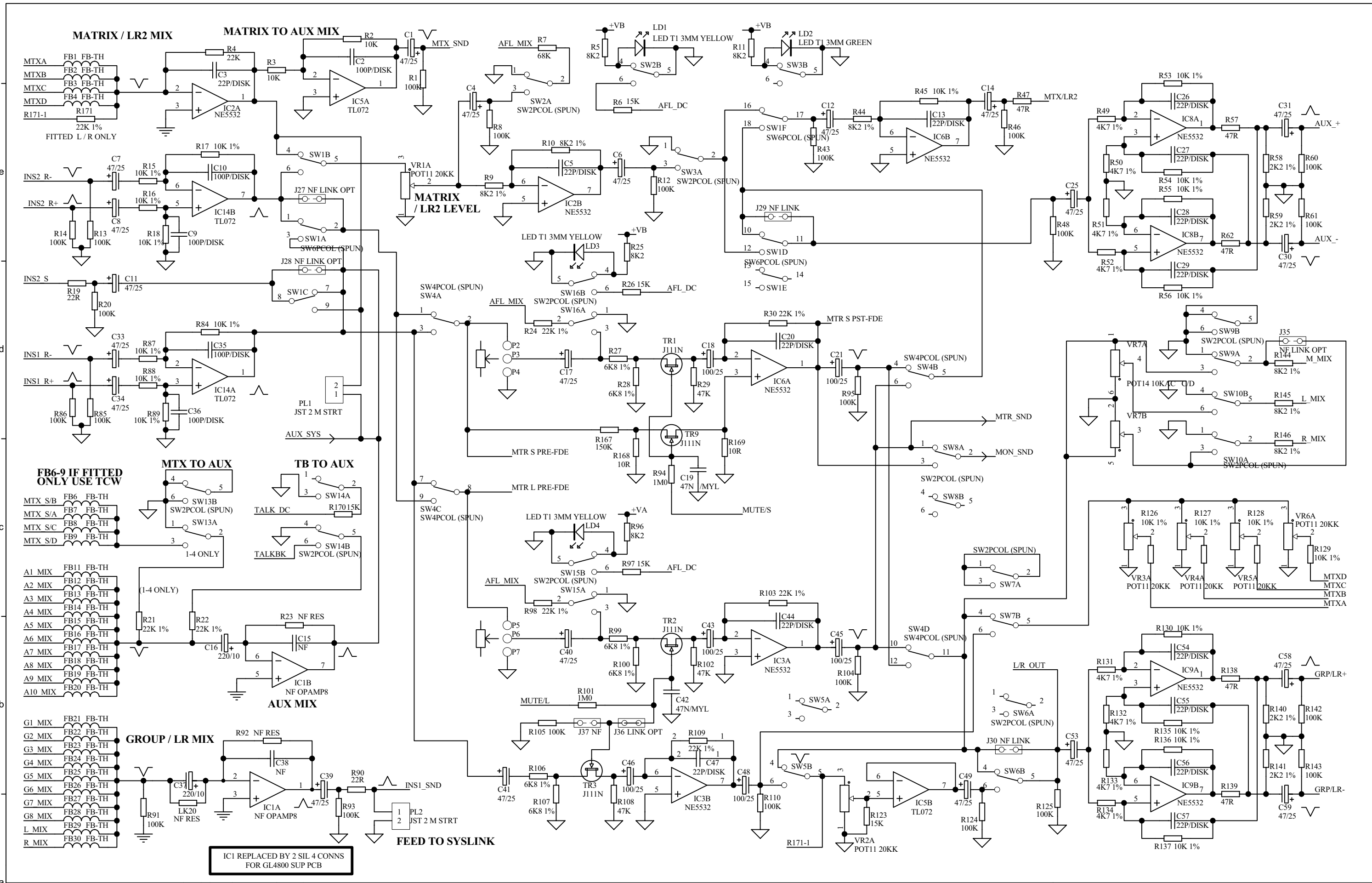
FILE: C2623_3P1.Sch

TITLE: **GL4800 GROUP PCB**

PAGE:

DRG No: AG2623 ISSUE: 3.3 SHEET: 1 OF 3

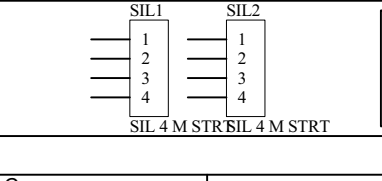
PRINTED: 11:23:46 17-Jun-2005



ALLEN&HEATH
 Kernick Industrial Estate,
 Penryn, Cornwall,
 England. TR10 9LU
 Tel: +44 (0)1326 372070
 Fax: +44 (0)1326 370153

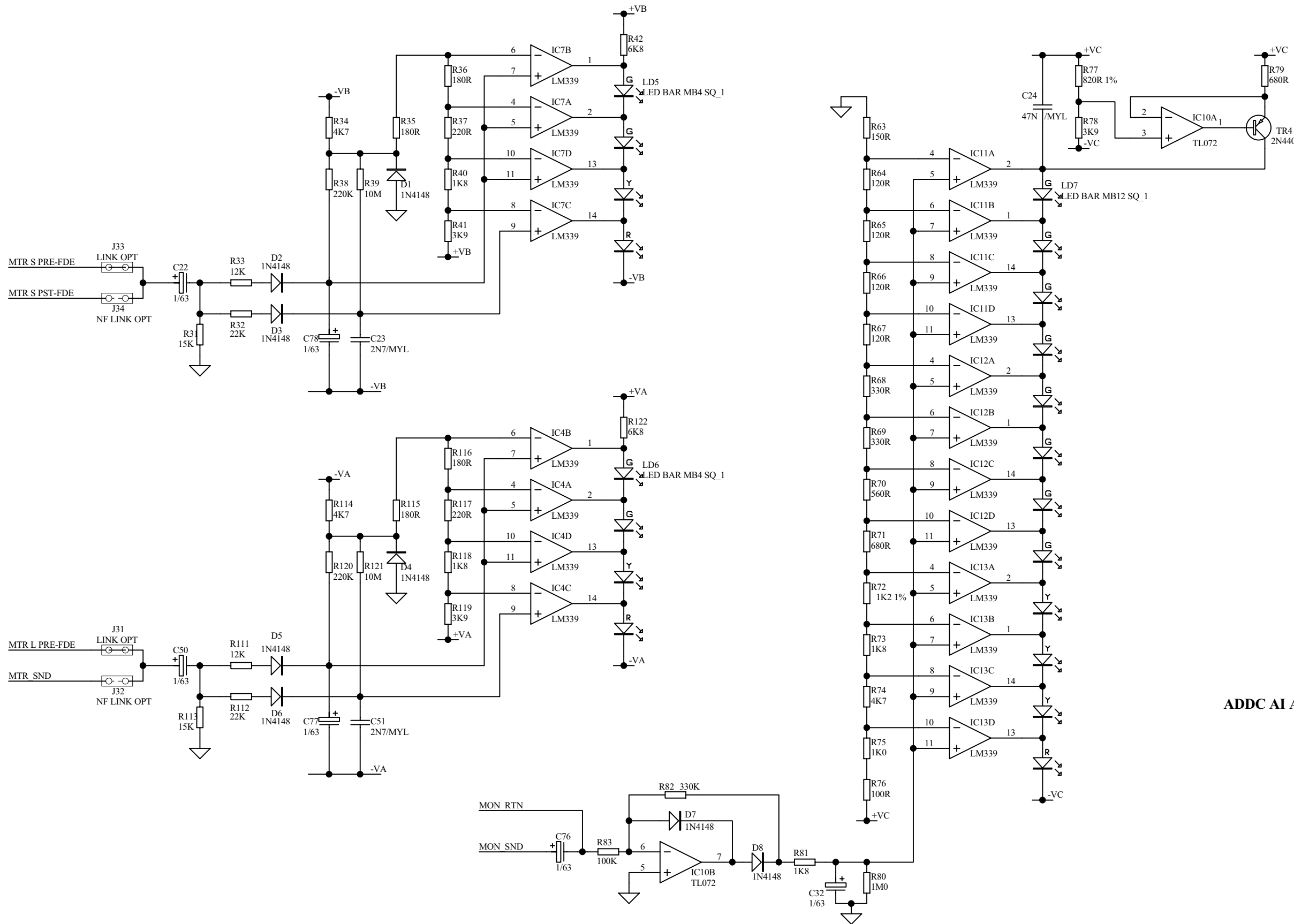
ISSUE	BY	DATE	CHK BY
3.3	JB		

15/03/04 CONVERTED TO PROTEL
 FILE: C2623_3P2.Sch



NOTE
 FOR FB1 - FB30, R171 GROUP-L/R ASSIGNMENT REFER TO TABLE ON PAGE 1
 FOR FITTED AND NON FITTED COMPONENTS SEE TABLE ON PAGE 1

TITLE: **GL4800 GROUP PCB**
 PAGE:
 DRG No: AG2623 ISSUE: 3.3 SHEET: 2 OF 3



ADDC AI AND FIX BLOCK

ALLEN&HEATH

Kernick Industrial Estate,
Penryn, Cornwall,
England. TR10 9LU
Tel: +44 (0)1326 372070
Fax: +44 (0)1326 370153

ISSUE	BY	DATE	CHK BY
3.3	JB		

15/03/04 CONVERTED TO PROTEL

FILE: C2623_3P3.Sch

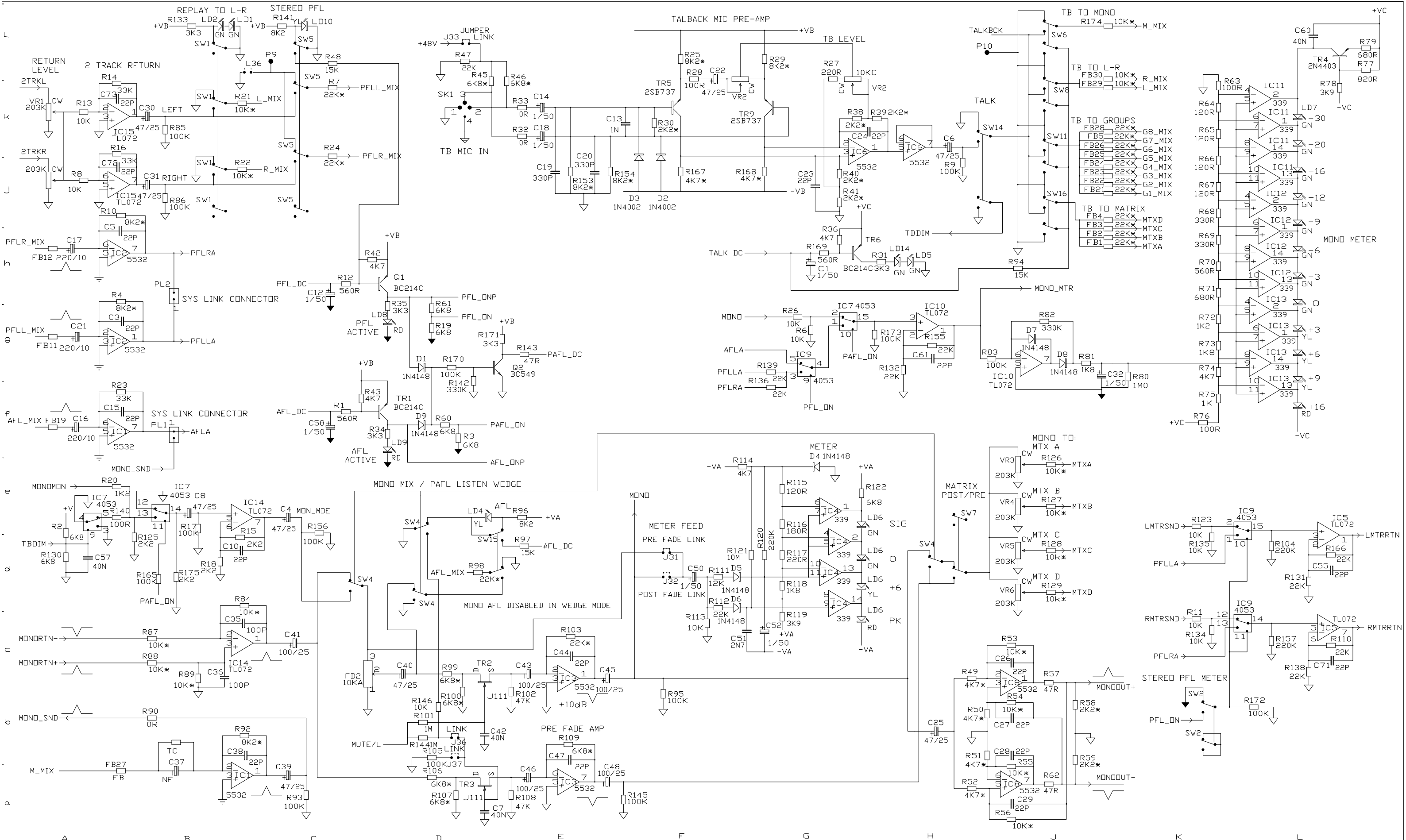
NOTE

FOR FB1 - FB30, R171 GROUP-L/R ASSIGNMENT REFER TO TABLE ON PAGE 1
FOR FITTED AND NON FITTED COMPONENTS SEE TABLE ON PAGE 1

TITLE: **GL4800 GROUP PCB**
PAGE:

DRG No: AG2623 ISSUE: 3.3 SHEET: 3 OF 3

PRINTED: 11:23:47 17-Jun-2005



ISS.	REVISION	BY	DATE
1	PRODUCTION	DRP	18-10-96
2	UPDATES	DLP	26-11-96
3	VALUE CHANGES	DWD	20-03-97
3.1	C37 NF	DWD	21-01-00
3.2	TALKBACK EARTH CHG LED COLS FOR 4800	AAT	01-07-05

NOTES

- RESISTORS MARKED * ARE 1% ALL OTHERS ARE 5% 1/4W UNLESS OTHERWISE MARKED
- ELECTROLYTIC CAPACITORS ARE ?F/VOLTS

UNIT TITLE
GL4800

DRAWING TITLE
MONO PCB

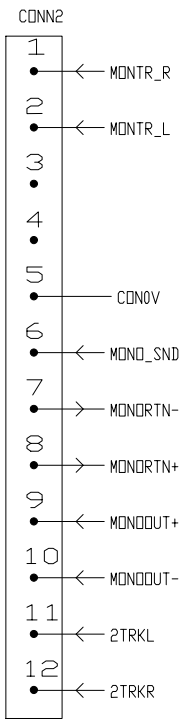
SHEET 1 OF 2

PCB TYPE AG2625

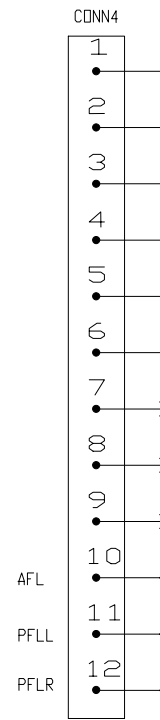
MANUFACTURED IN ENGLAND BY
ALLEN & HEATH

DRAWING No. **C2625** ISSUE **3.2**

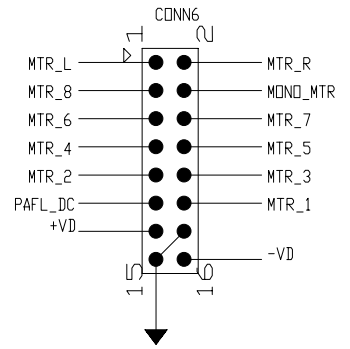
12WAY FLEXILINK TO MASTER CONNECTOR PCB



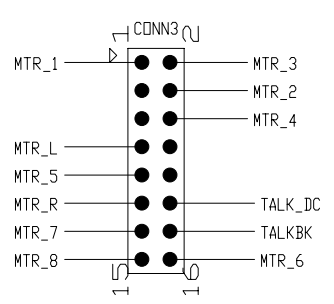
12WAY FLEXILINK TO MASTER PCB



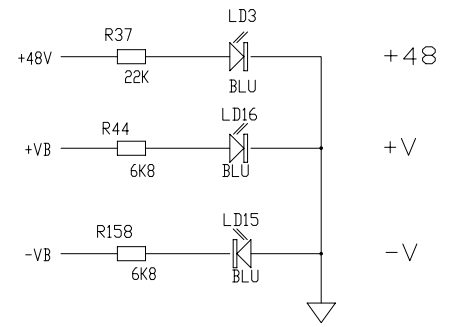
TO 16 WAY METERBRIDGE IDC



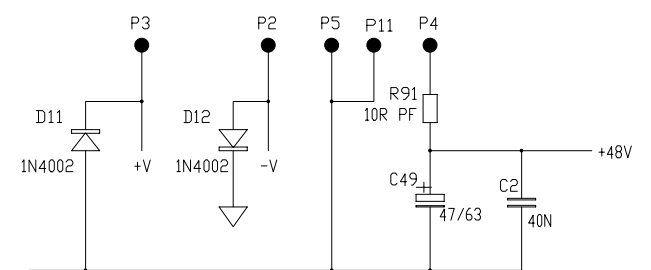
TO 16 WAY MASTER IDC



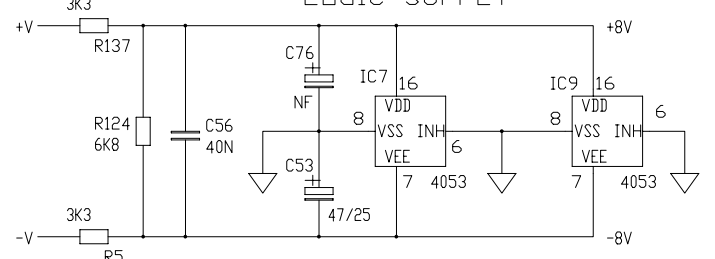
POWER STATUS INDICATION



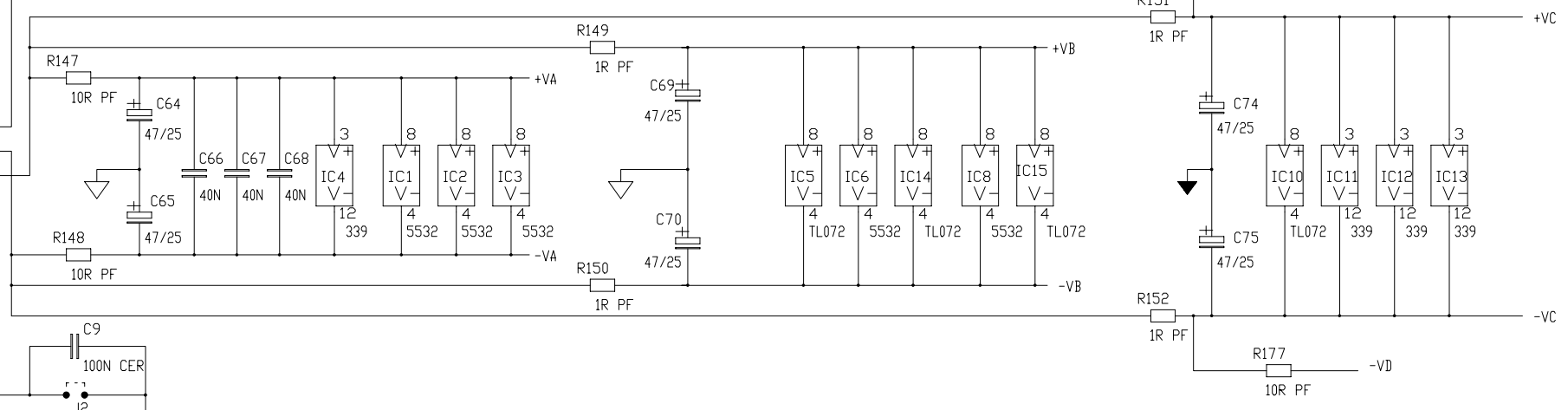
POWER CONNECTIONS



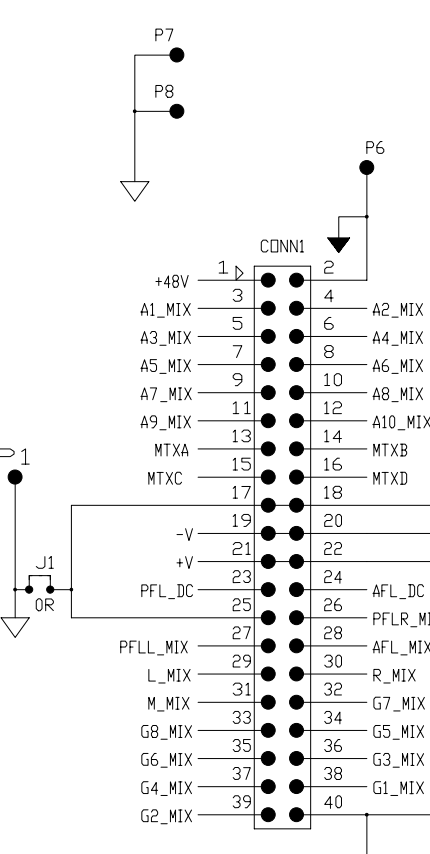
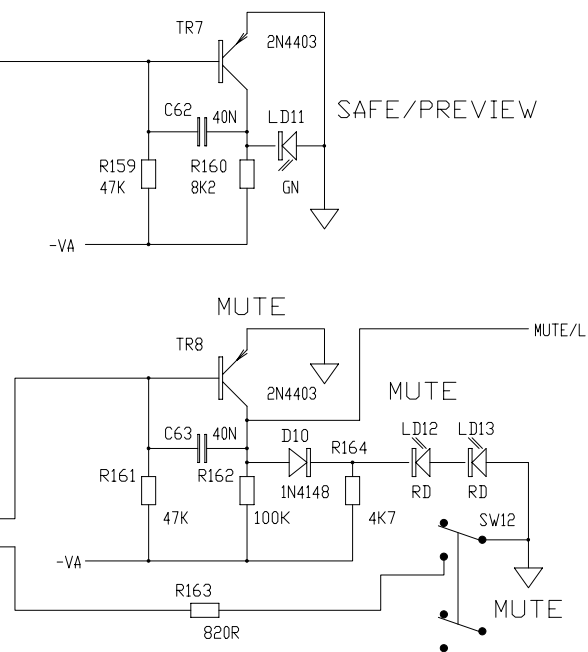
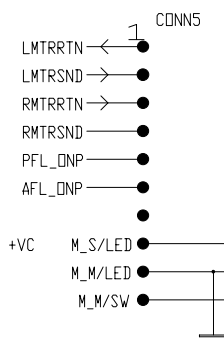
LOGIC SUPPLY



POWER SUPPLY FILTERING



10 WAY CONNECTOR TO SLAVE CARD



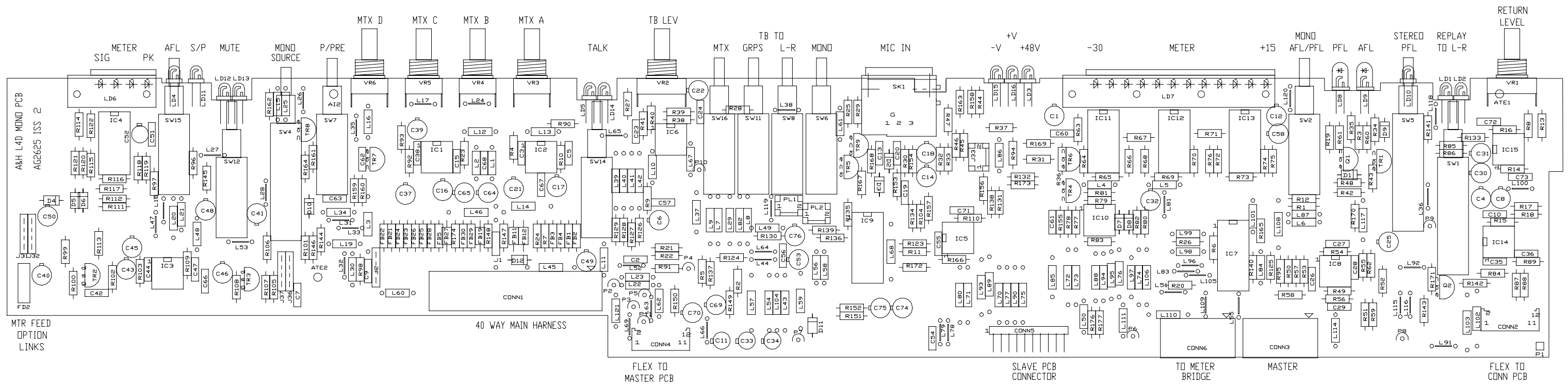
MAIN 40WAY CONNECTOR

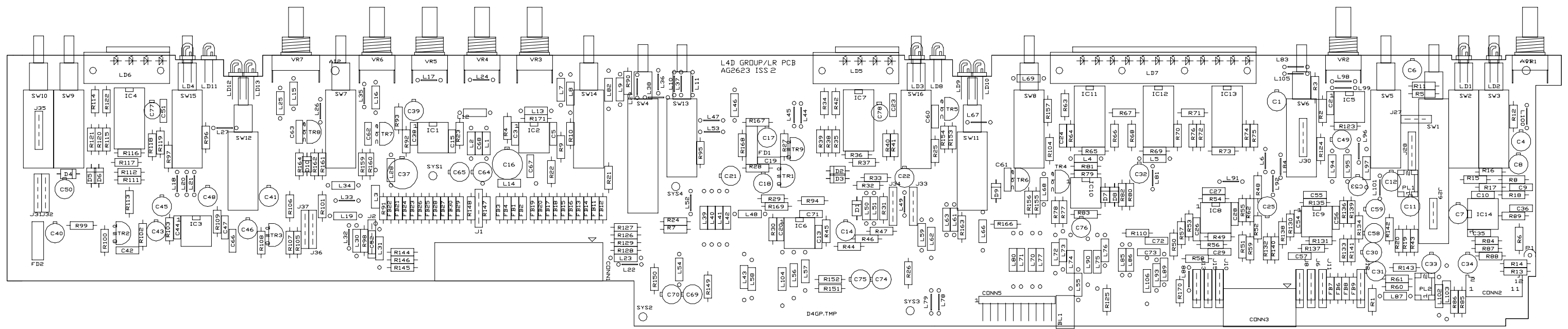
ISS.	REVISION	BY DATE
1	PRODUCTION	DRP18-10-96
2	UPDATES	DLP26-11-96
3	VALUE CHANGES	DWD20-03-97
3.1	C37 NF	DWD21-01-00
3.2	TALKBACK EARTHING CHANG LED COLS FOR 4800	AAT 01-07-05

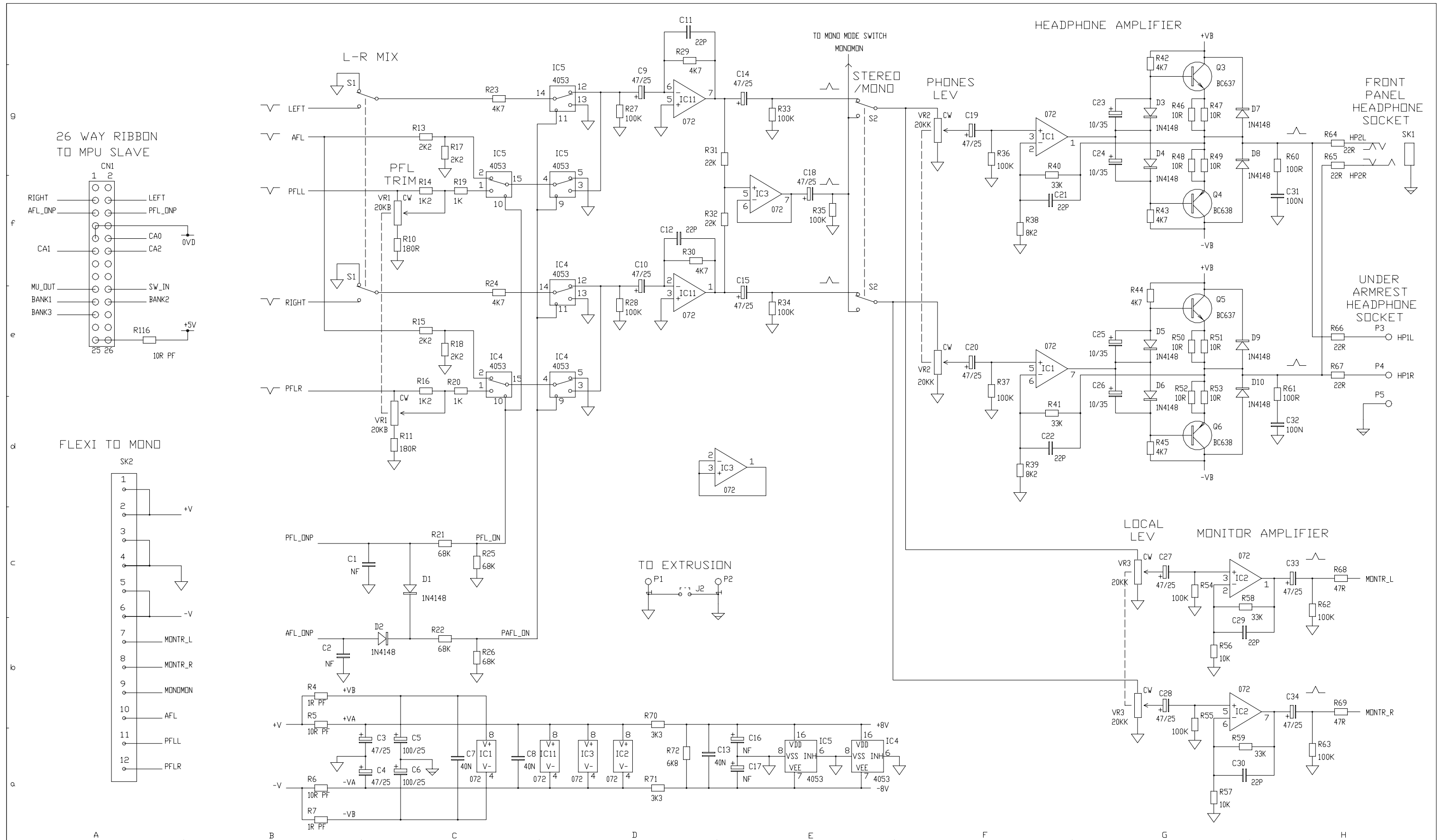
NOTES
1. RESISTORS MARKED * ARE 1% ALL OTHERS ARE 5% 1/4W UNLESS OTHERWISE MARKED
2. ELECTROLYTIC CAPACITORS ARE ?F/VOLTS

UNIT TITLE	SHEET 2 OF 2
GL4800	
DRAWING TITLE	
MONO PCB	
PCB TYPE	AG2625

MANUFACTURED IN ENGLAND BY
ALLEN & HEATH
DRAWING No. C2625 ISSUE 3.2 A2





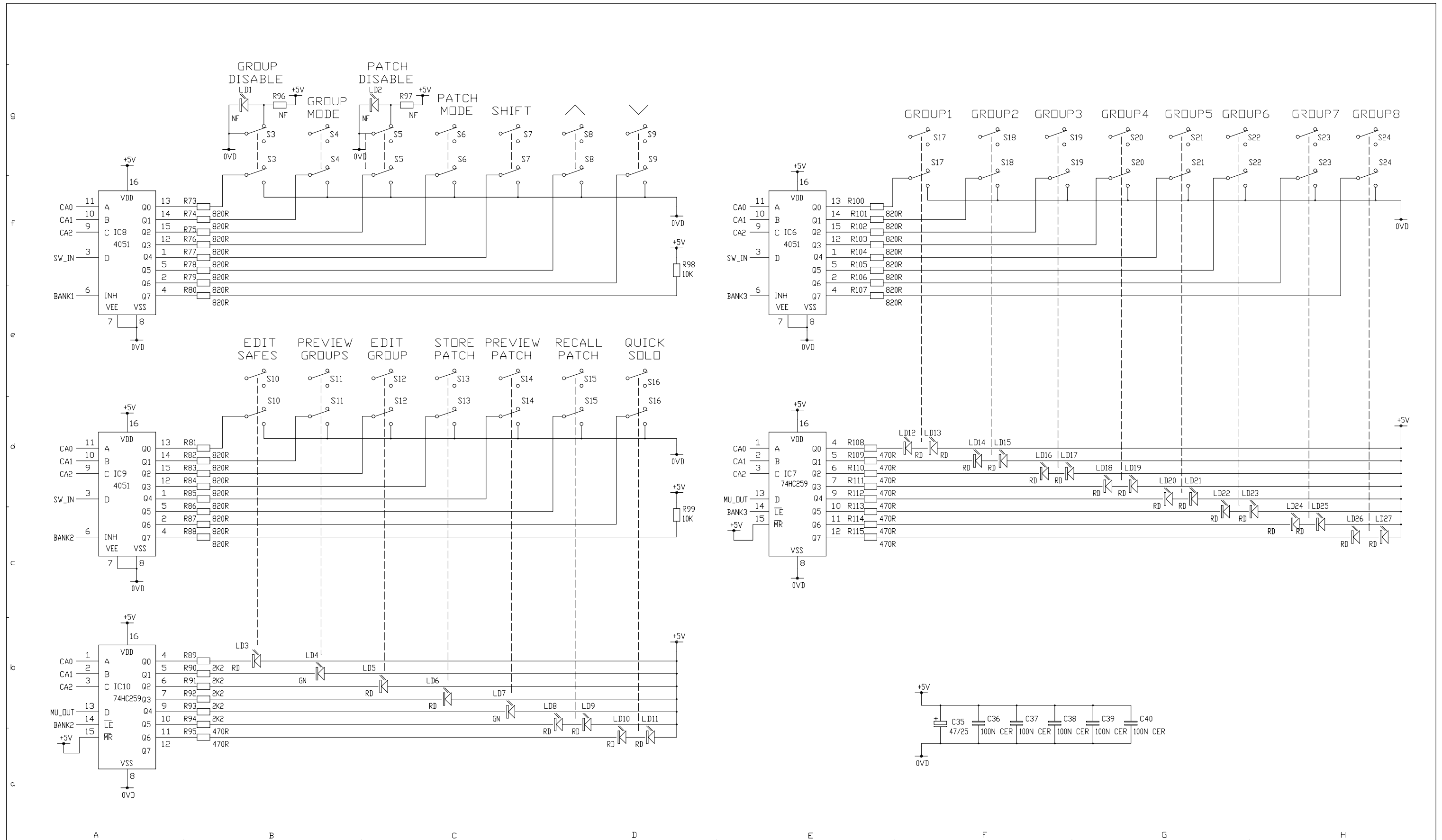


ISS.	REVISION	BY	DATE
A	ORIGIN	DLP	6-8-96
1	PRODUCTION	AAT21	10-96
2	VALUE CHANGES	DWD20	03-97

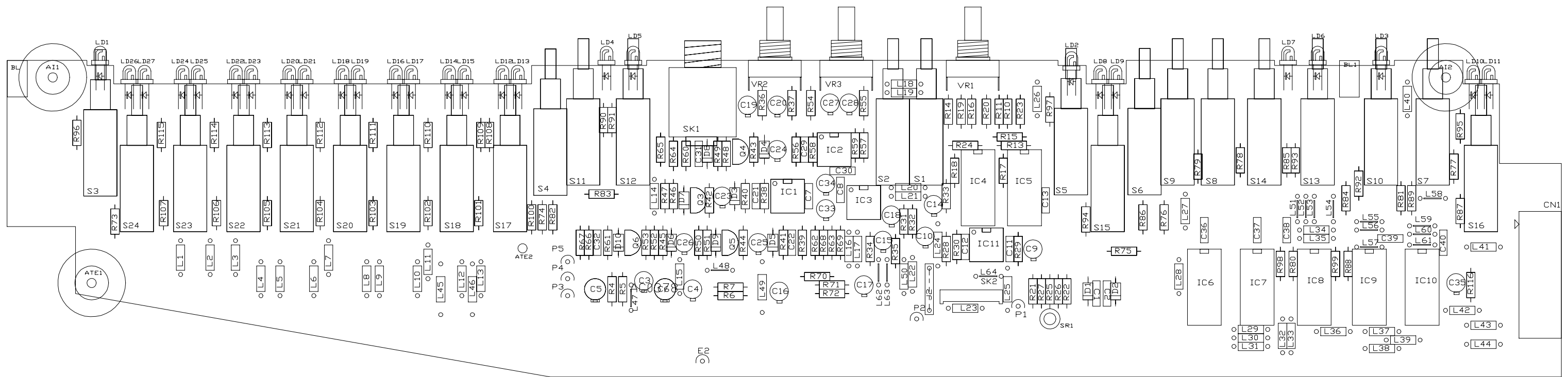
NOTES
1. RESISTORS MARKED * ARE 1% ALL OTHERS ARE 5% 1/4W UNLESS OTHERWISE MARKED
2. ELECTROLYTIC CAPACITORS ARE ?F/VOLTS

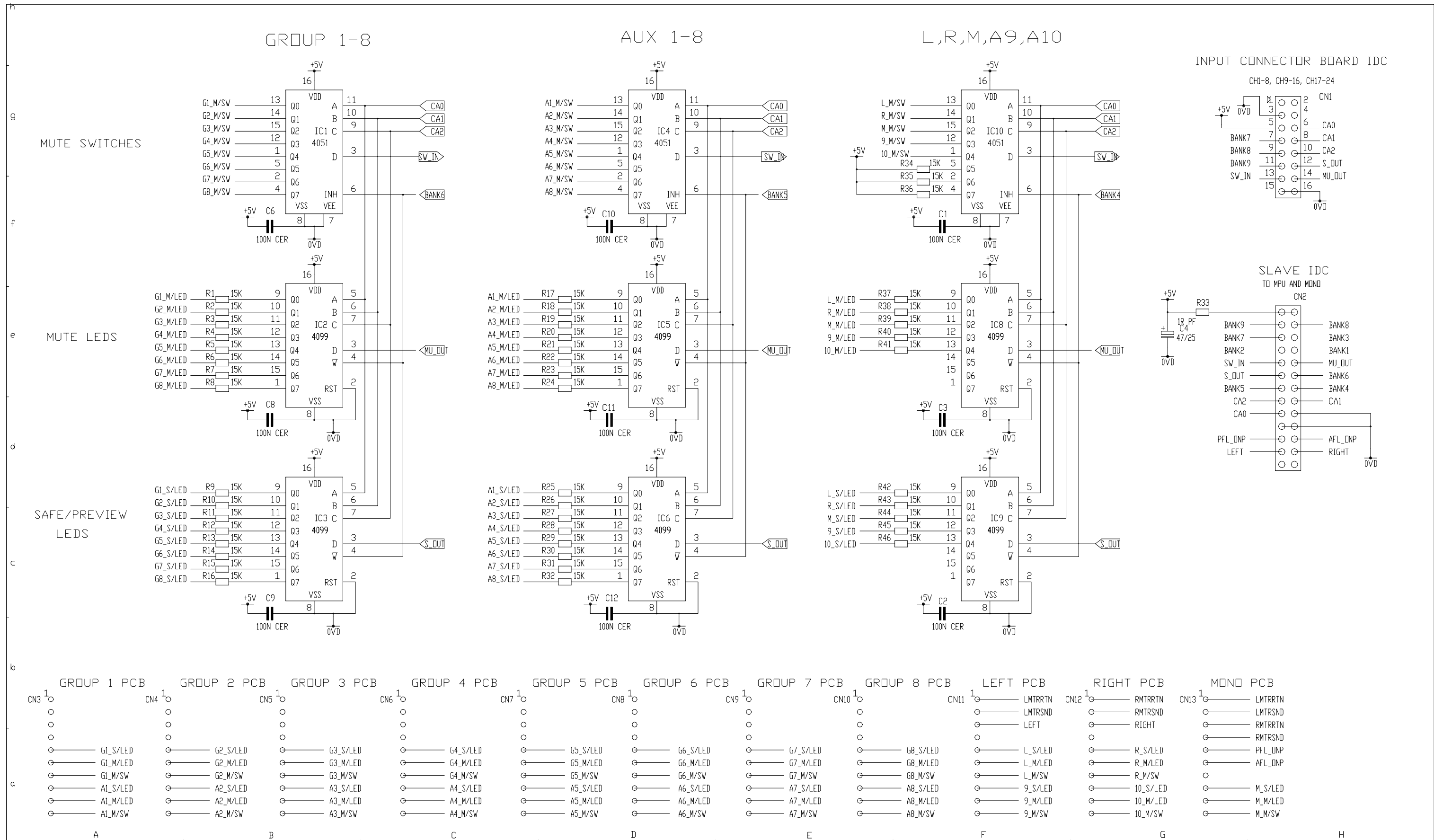
UNIT TITLE	GL4800	PAGE 1 OF 2
DRAWING TITLE	MASTER CIRCUIT DIAGRAM	
	PCB TYPE AG2626	

MANUFACTURED IN ENGLAND BY	
ALLEN & HEATH	
DRAWING No.	C2626
ISSUE	2
	A2

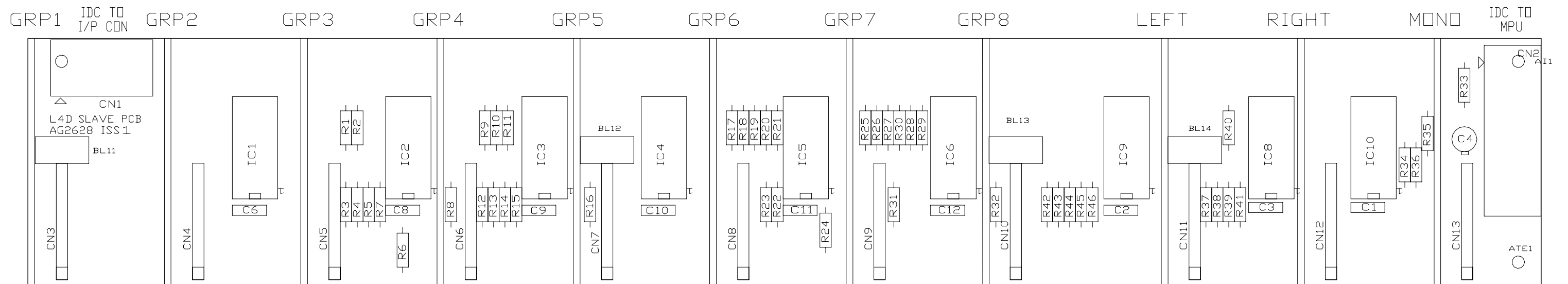


ISS.	REVISION	BY	DATE	NOTES	UNIT TITLE	MANUFACTURED IN ENGLAND BY	
A	ORIGIN	DLP	6-8-96	1. RESISTORS MARKED * ARE 1% ALL OTHERS ARE 5% 1/4W UNLESS OTHERWISE MARKED 2. ELECTROLYTIC CAPACITORS ARE 7F/VOLTS	GL4800 PAGE 2 OF 2 DRAWING TITLE MASTER CIRCUIT DIAGRAM PCB TYPE AG2626	ALLEN & HEATH	
1	PRODUCTION	AAT21	10-96				
2	VALUE CHANGES	DWD20	03-97		DRAWING No. C2626 ISSUE 2	A2	

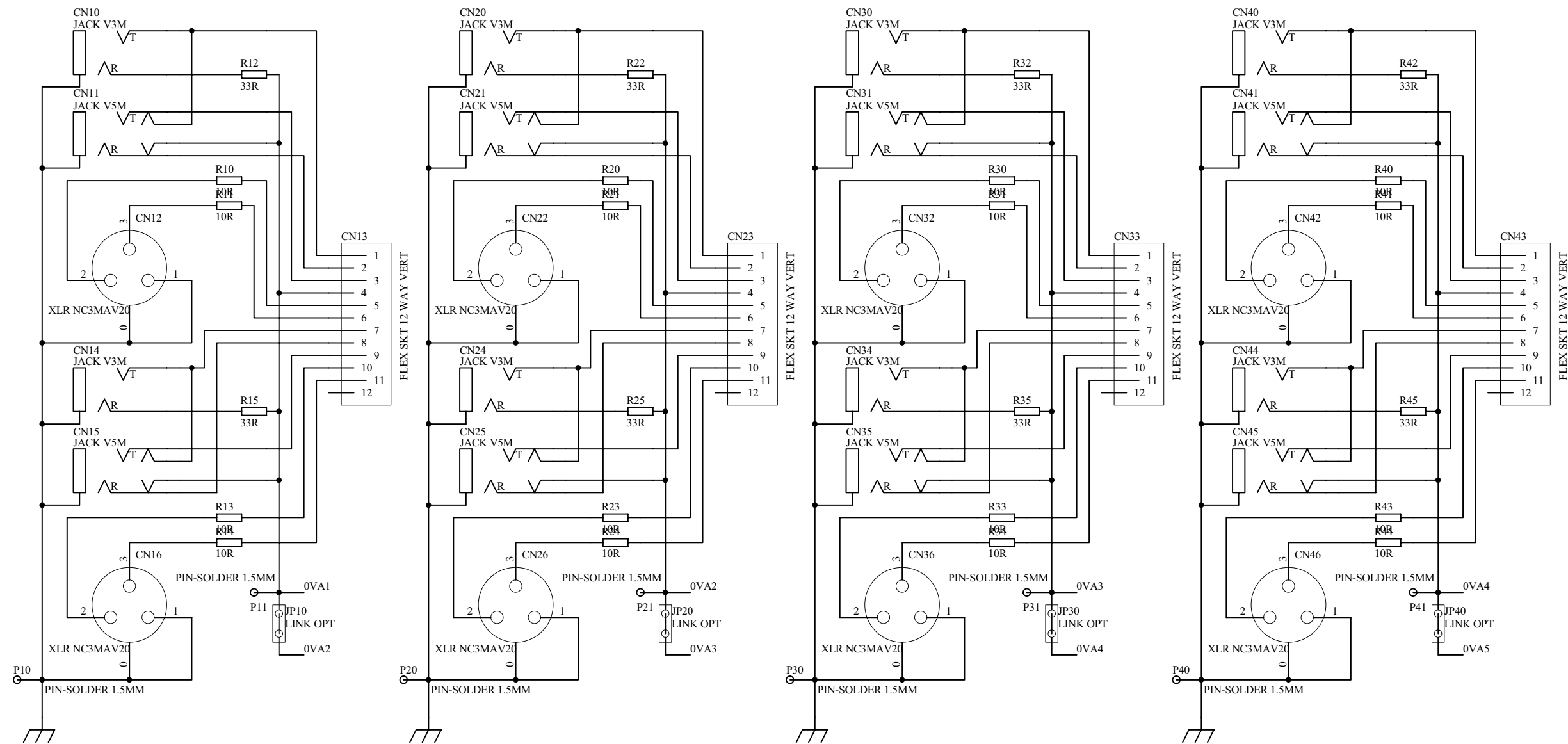




ISS.	REVISION	BY	DATE	NOTES	UNIT TITLE	MANUFACTURED IN ENGLAND BY	
A	ORIGIN	DLP	30/7/96	1. RESISTORS MARKED * ARE 1% ALL OTHERS ARE 5% 1/4W UNLESS OTHERWISE MARKED 2. ELECTROLYTIC CAPACITORS ARE ?F/VOLTS	GL4800 SLAVE CARD PCB TYPE AG2628	ALLEN & HEATH DRAWING No. C2628 ISSUE 1	
1	PRODUCTION	AAT	25/9/96				



e
d
c
b
a



ALLEN&HEATH
 Kernick Industrial Estate,
 Penryn, Cornwall,
 England. TR10 9LU
 Tel: +44 (0)1326 372070
 Fax: +44 (0)1326 370153

ISSUE	BY	DATE	CHK BY
1	AAT	05-01-05	XXX
2	AAT	02-03-05	XXX
3	AAT	23-03-05	XXX

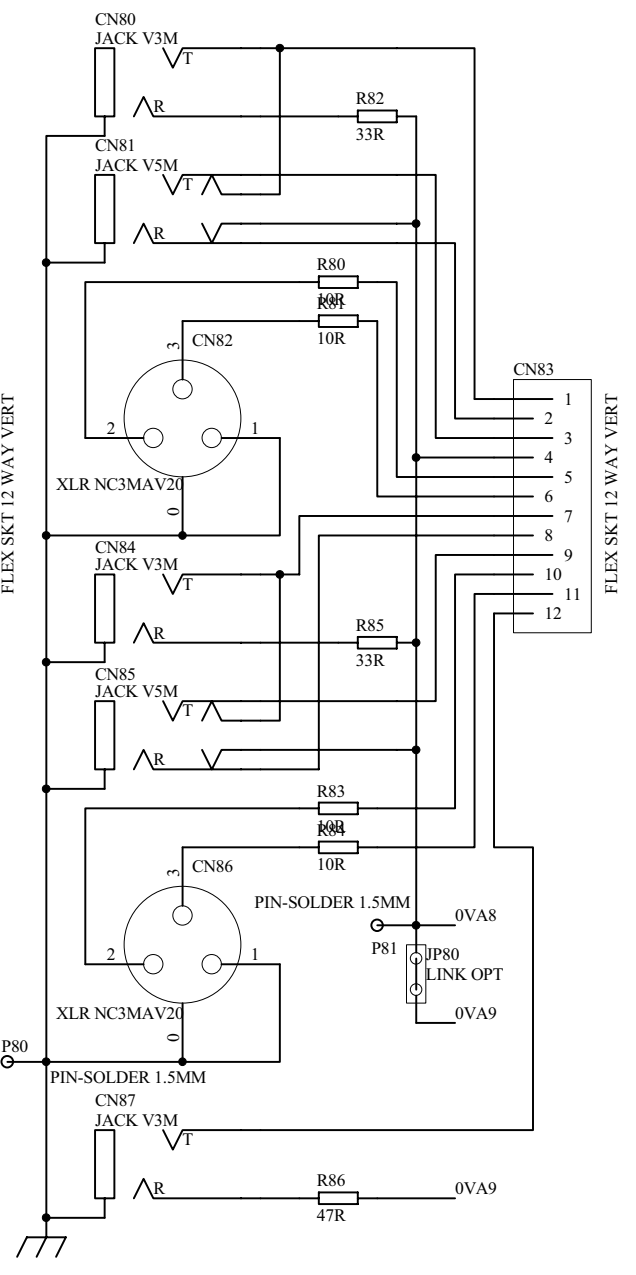
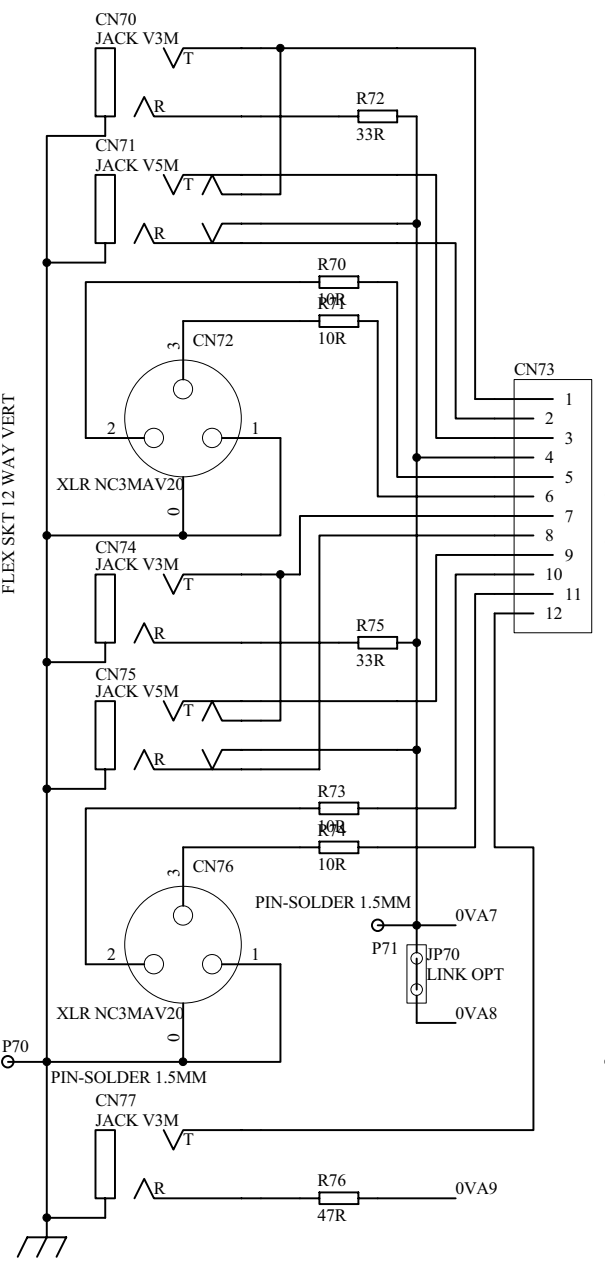
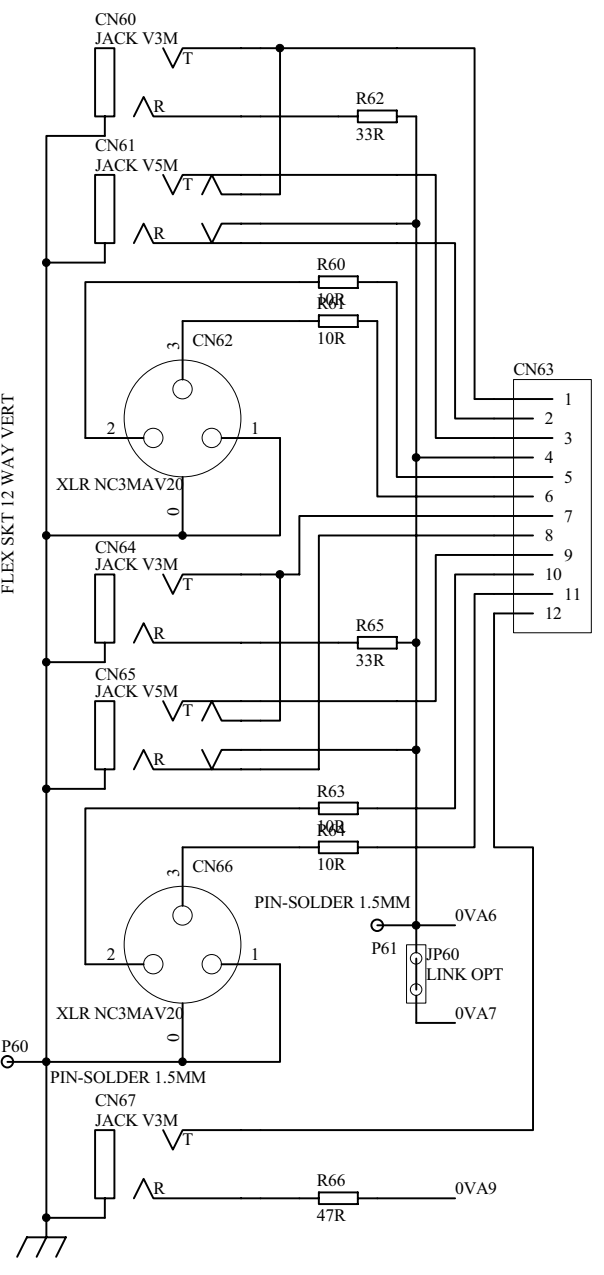
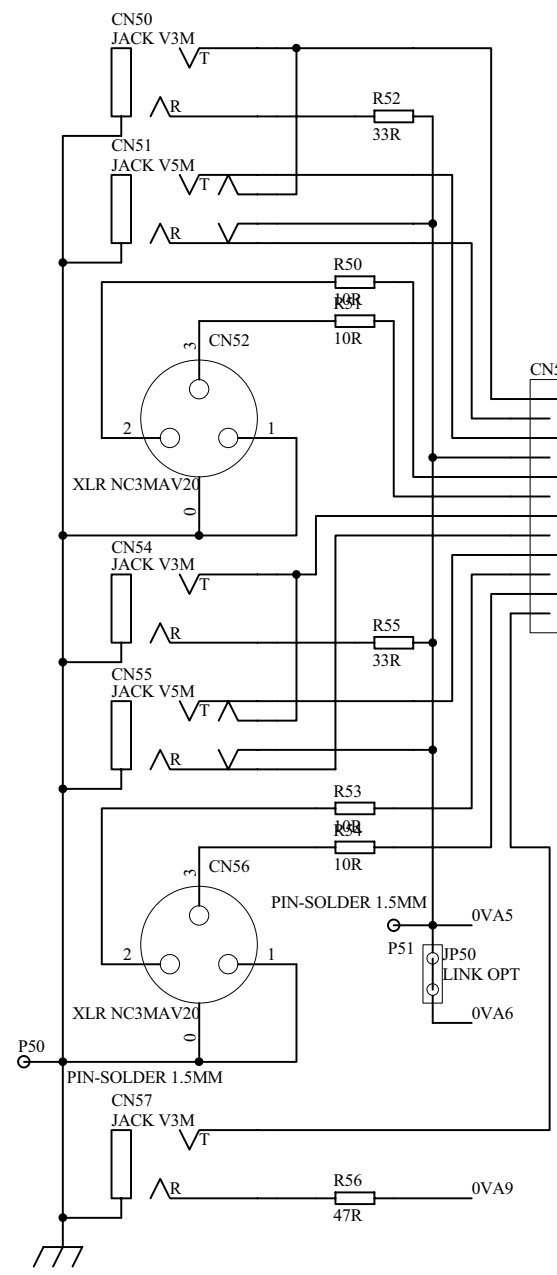
FILE: C6079_3P1.Sch

PRINTED: 11:51:23 10-May-2005

TITLE: **GL4800 MASCO PCB**
 PAGE:

DRG No: **C6079** ISSUE: 3 SHEET: 1 OF 3

003-420 iss.3



ALLEN&HEATH

Kernick Industrial Estate,
Penryn, Cornwall,
England. TR10 9LU
Tel: +44 (0)1326 372070
Fax: +44 (0)1326 370153

ISSUE	BY	DATE	CHK BY
1	AAT	05-01-05	XXX
2	AAT	02-03-05	XXX
3	AAT	23-03-05	XXX

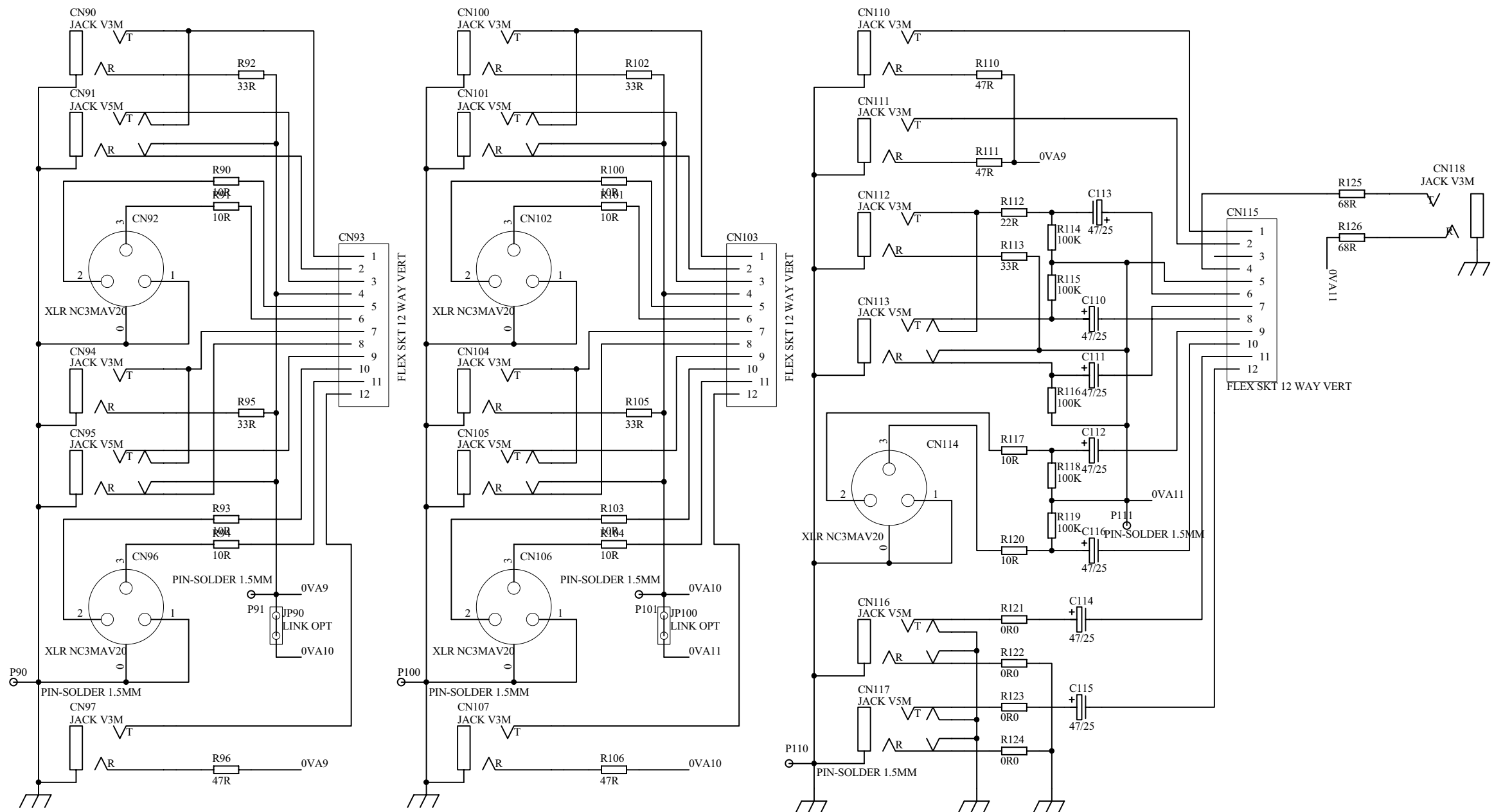
FILE: C6079_3P2.Sch

TITLE: GL4800 MASCO PCB

PAGE:

DRG No: C6079 ISSUE: 3 SHEET: 2 OF 3

003-420 iss.3



ALLEN&HEATH

Kernick Industrial Estate,
Penryn, Cornwall,
England. TR10 9LU

Tel: +44 (0)1326 372070
Fax: +44 (0)1326 370153

ISSUE	BY	DATE	CHK BY
1	AAT	05-01-05	XXX
2	AAT	02-03-05	XXX
3	AAT	23-03-05	XXX

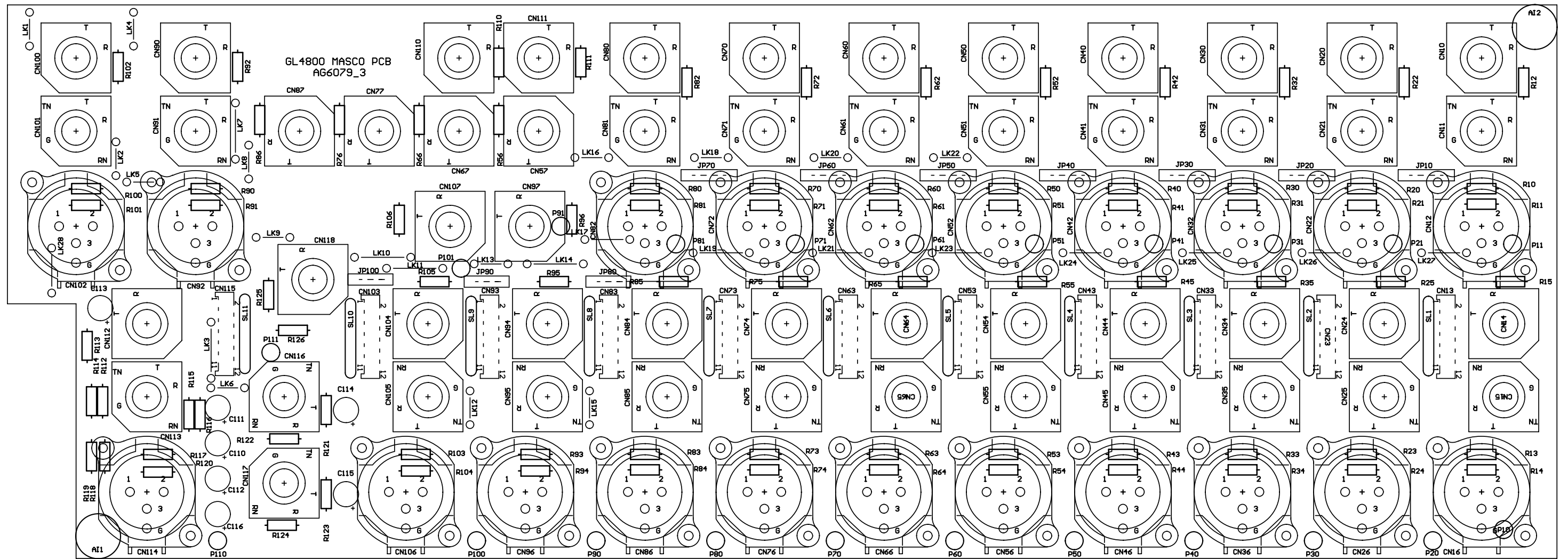
FILE: C6079_3P3.Sch

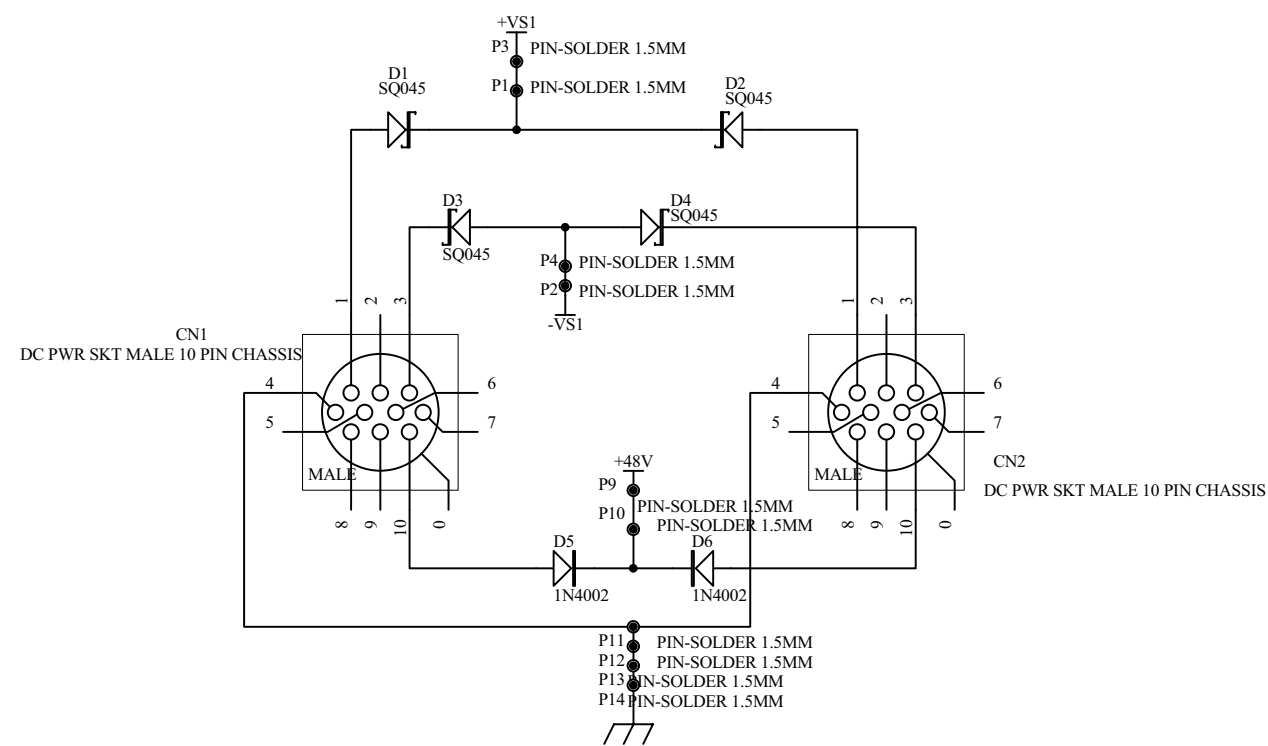
TITLE: GL4800 MASCO PCB

PAGE:

DRG No: C6079 ISSUE: 3 SHEET: 3 OF 3

PRINTED: 11:51:23 10-May-2005





A11
HOLE-AI

A12
SLOT-AI

ALLEN&HEATH

Kernick Industrial Estate,
Penryn, Cornwall,
England. TR10 9LU

Tel: +44 (0)1326 372070
Fax: +44 (0)1326 370153

ISSUE	BY	DATE	CHK BY
B	MG	25/02/05	

FILE: C6161_B.Sch

TITLE: GL4800 POWER CONN PCB

PAGE:

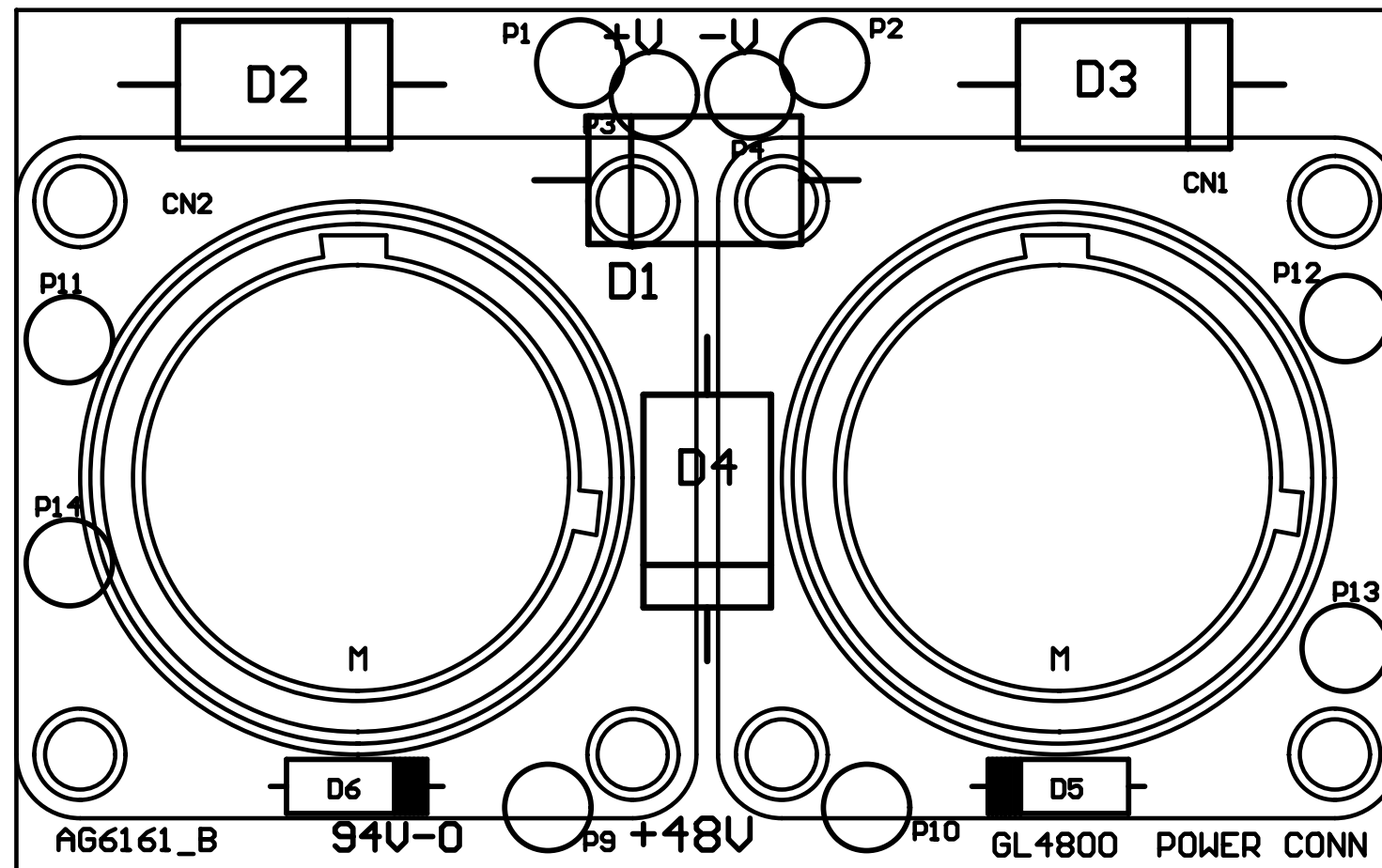
DRG No: 6161

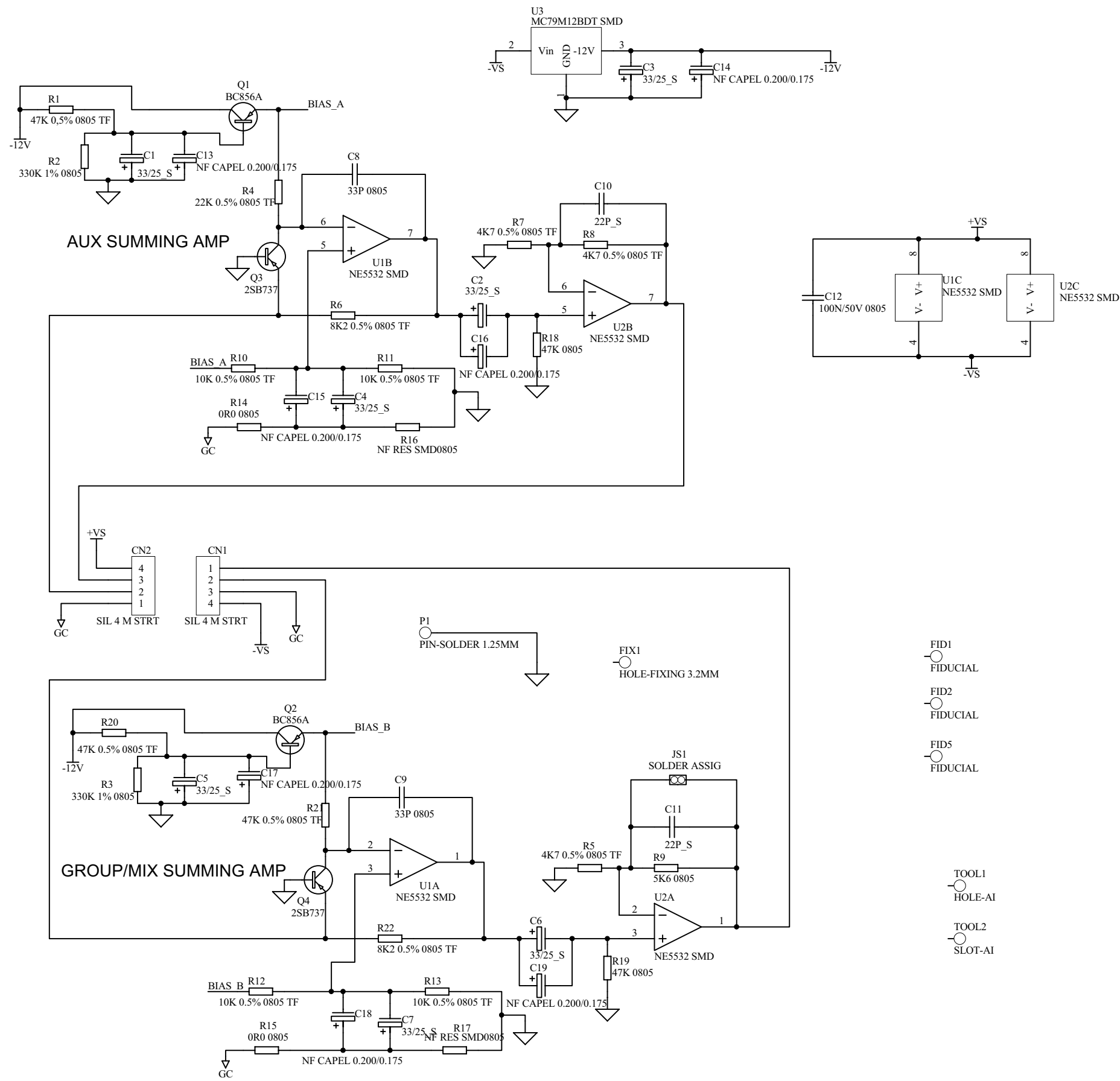
ISSUE: B

SHEET: 1 OF 1

PRINTED: 12:06:52 10-May-2005

003-423 iss.B





- FID1 FIDUCIAL
- FID2 FIDUCIAL
- FID5 FIDUCIAL
- TOOL1 HOLE-AI
- TOOL2 SLOT-AI

ALLEN&HEATH

Kernick Industrial Estate,
Penryn, Cornwall,
England. TR10 9LU
Tel: +44 (0)1326 372070
Fax: +44 (0)1326 370153

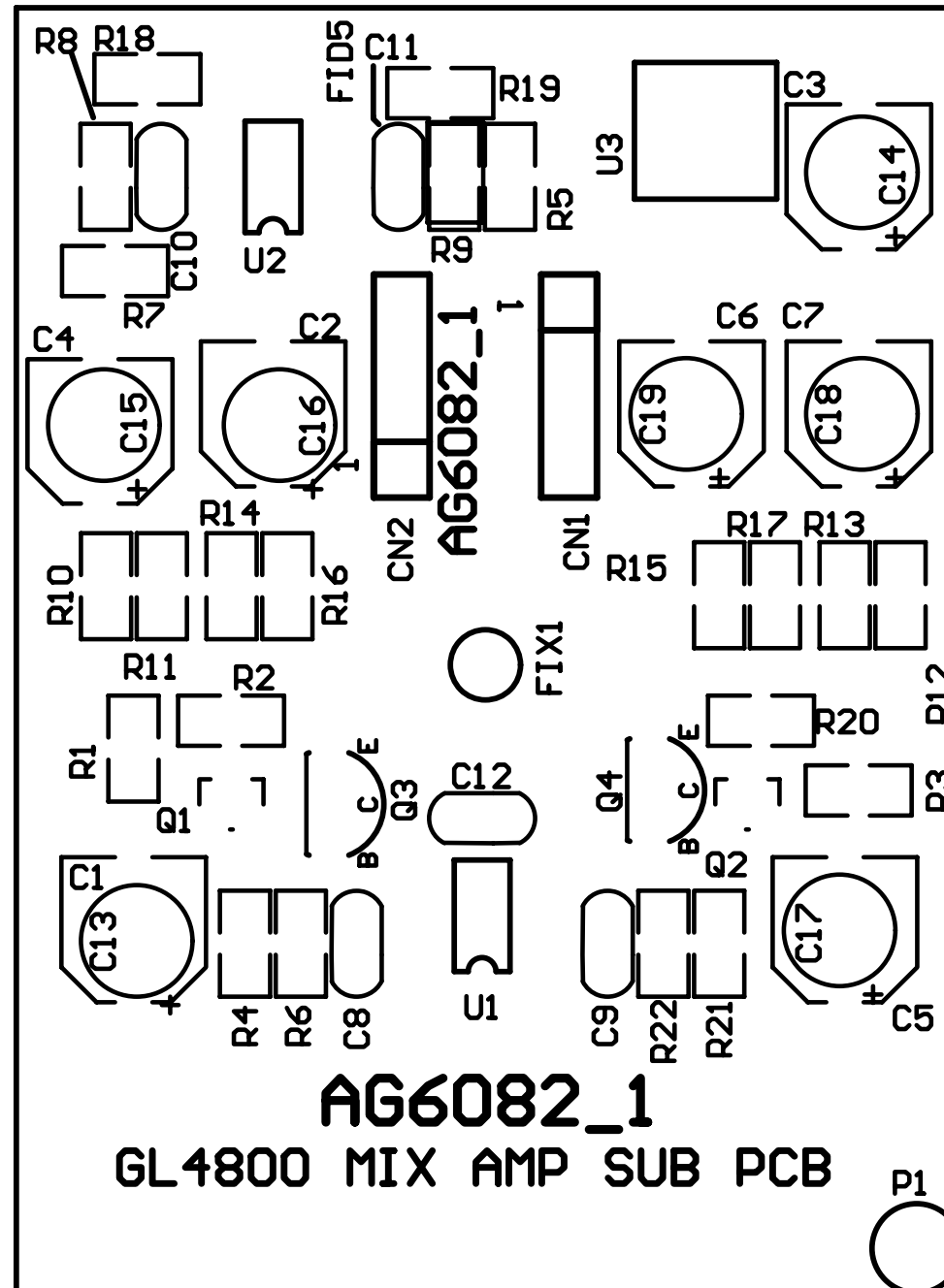
ISSUE	BY	DATE	CHK BY
1	MG	02/03/05	

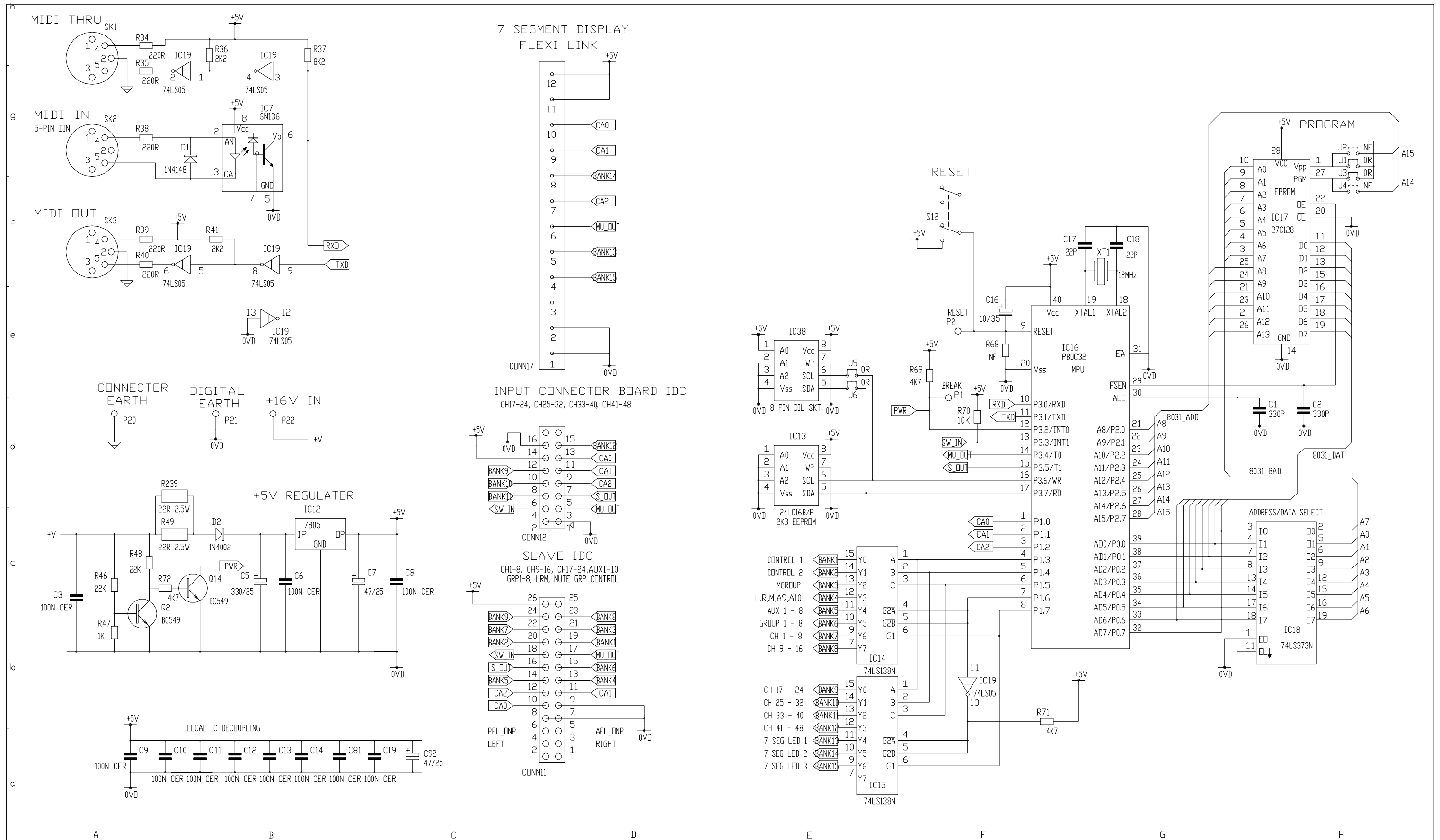
FILE: C6082_1.Sch

PRINTED: 11:24:29 10-May-2005

TITLE: GL4800 MIX AMP SUB PCB
PAGE:

DRG No: 6082 ISSUE: 1 SHEET: 1 OF 1





ISS.	REVISION	BY	DATE	NOTES
A	ORIGIN	DLP	13/8/96	1. RESISTORS MARKED * ARE 1% ALL OTHERS ARE 5% 1/4W UNLESS OTHERWISE MARKED 2. ELECTROLYTIC CAPACITORS ARE ?F/VOLTS
B	R1-24 WERE 470R C16 WAS 1/50 IC14,15,16,18 VALUE CHANGED	DRP	9-9-96	
1	PRODUCTION	AAT	25-09-96	

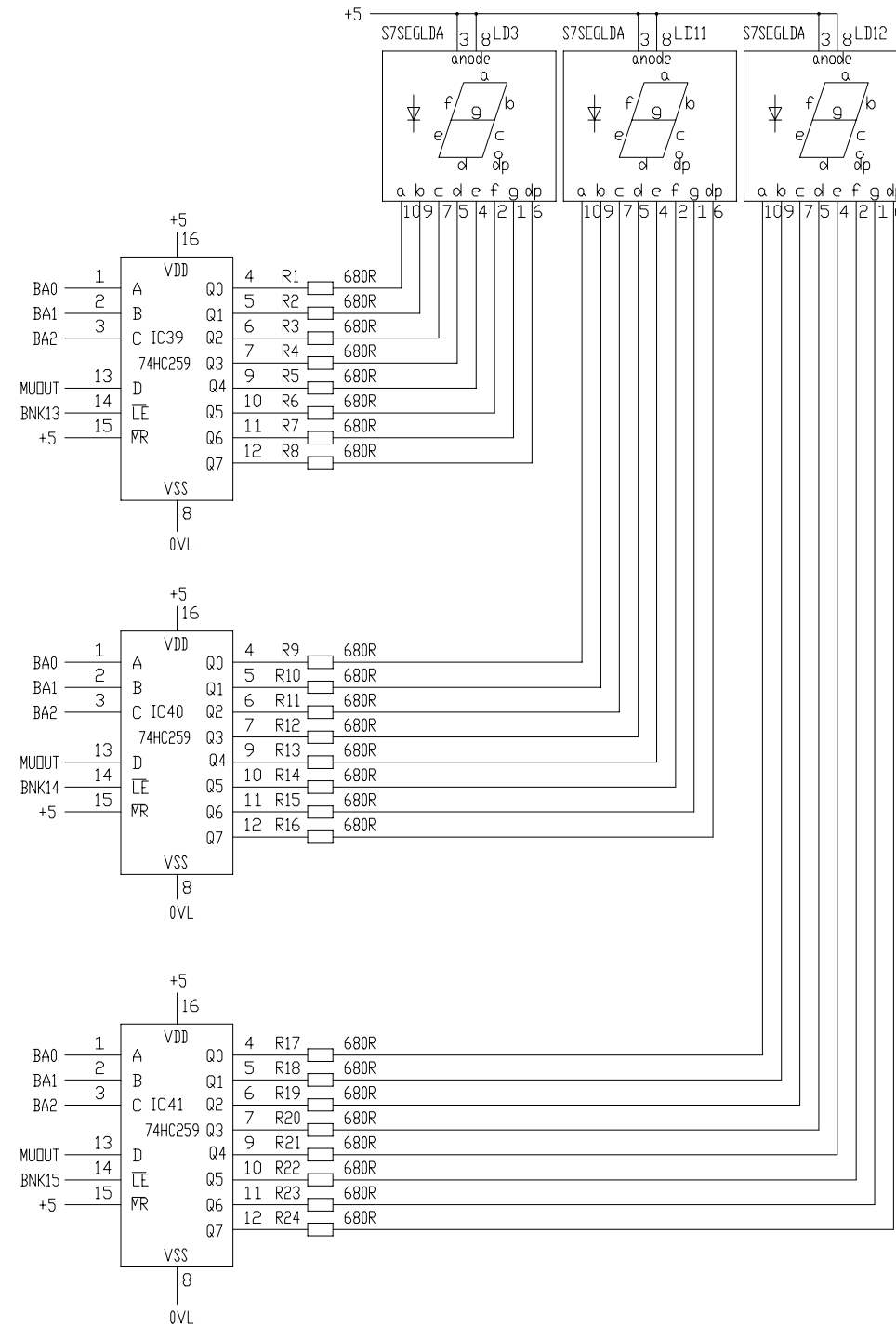
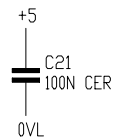
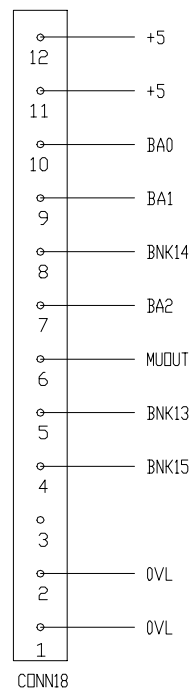
UNIT TITLE	MANUFACTURED IN ENGLAND BY
GL4800	RG273
MPU CIRCUIT DIAGRAM	ALLEN & HEATH
PCB TYPE AG2624	DRAWING No. C2624
	ISSUE 1

ISS.	REVISION	BY	DATE	NOTES
A	ORIGIN	DLP	13/8/96	1. RESISTORS MARKED * ARE 1% ALL OTHERS ARE 5% 1/4W UNLESS OTHERWISE MARKED 2. ELECTROLYTIC CAPACITORS ARE ?F/VOLTS
B	R1-24 WERE 470R C16 WAS 1/50 IC14,15,16,18 VALUE CHANGED	DRP	9-9-96	
1	PRODUCTION	AAT	25-09-96	

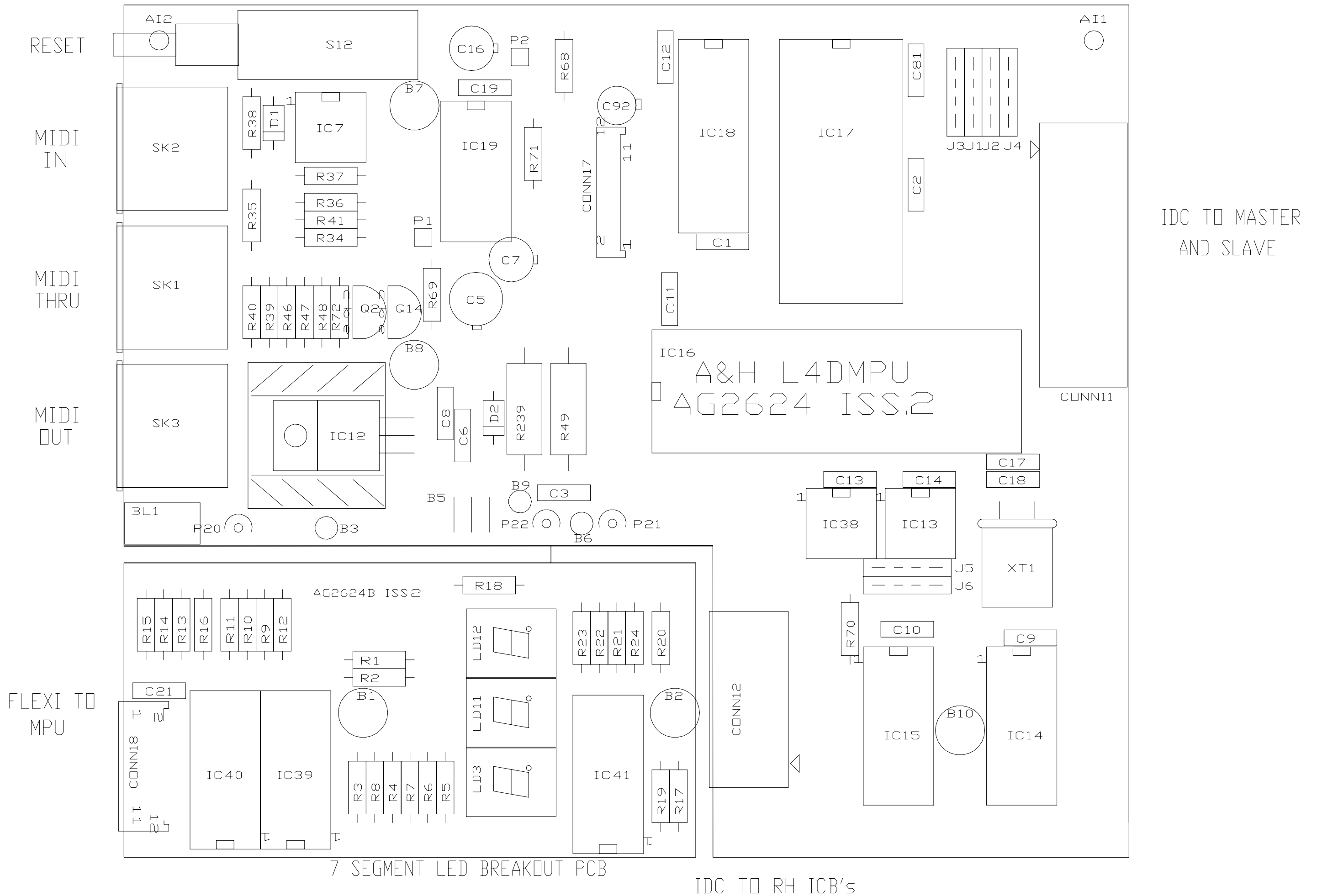
7 SEGMENT LED BOARD AG2624B

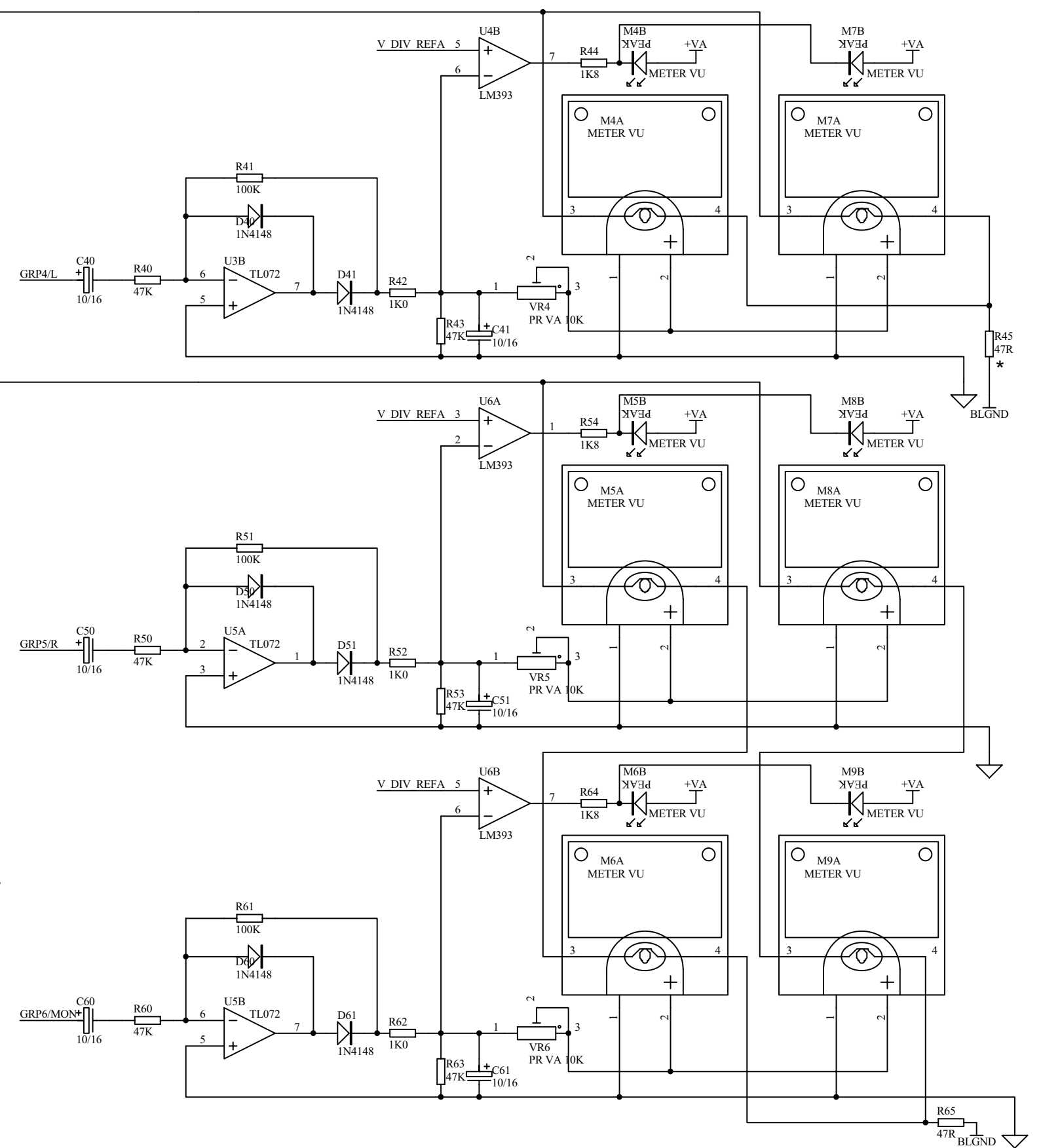
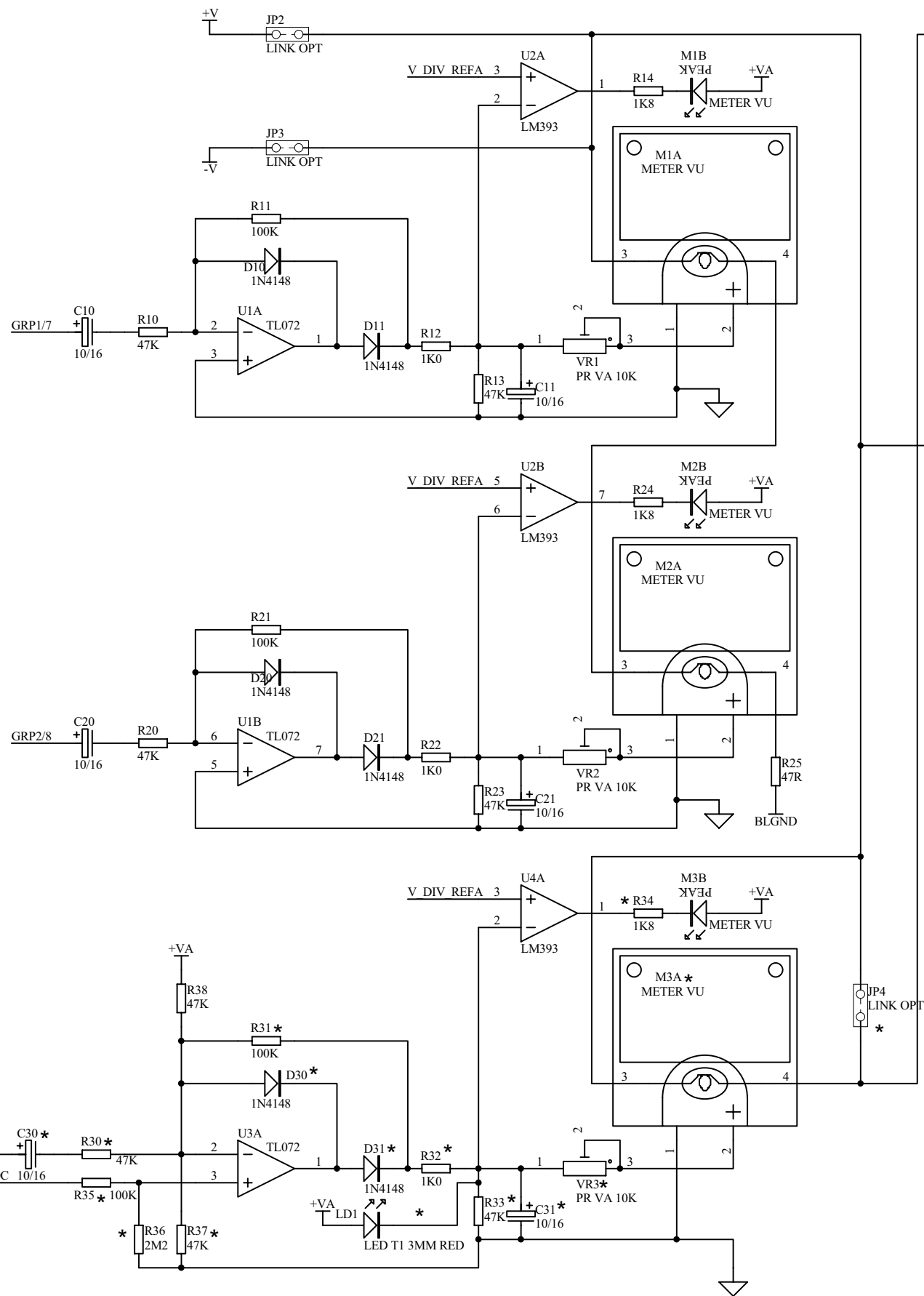
(BREAK OUT FROM MPU)

FLEXI FROM MPU BOARD



ISS.	REVISION	BY	DATE	NOTES	UNIT TITLE	PAGE	OF	MANUFACTURED IN ENGLAND BY	RG273
A	ORIGIN	DLP	13/8/96	1. RESISTORS MARKED * ARE 1% ALL OTHERS ARE 5% 1/4W UNLESS OTHERWISE MARKED	GL4800		2	ALLEN & HEATH	
B	R1-24 WERE 470R C16 WAS 1/50 IC14,15,16,18 VALUE CHANGED	DRP	9-9-96	2. ELECTROLYTIC CAPACITORS ARE 7F/VOLTS	MPU CIRCUIT DIAGRAM			DRAWING No. C2624	ISSUE 1
1	PRODUCTION	AAT	25-09-96		PCB TYPE AG2624				A2





ISSUE	BY	DATE
A	AAT	19-07-01
1	AAT	14-08-01
2	AAT	13-11-01
2.1	MDG	10-12-01
3	AAT	09-01-02

FILE: C4535_3P2.Sch

PRINTED: 11:26:40 13-Jun-2005

TITLE: GL SERIES METERS

PAGE: METERS AND DRIVERS

DRG No: C4535

ISSUE: 3

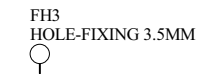
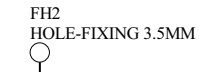
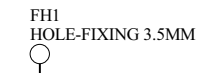
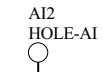
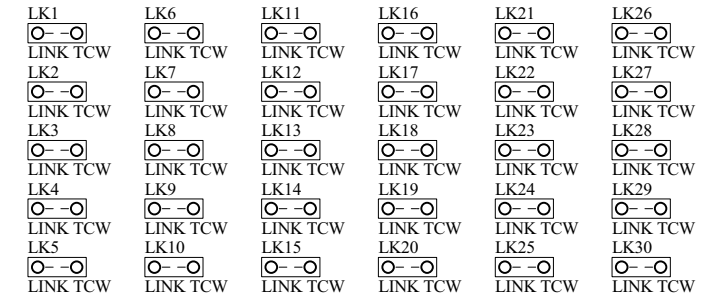
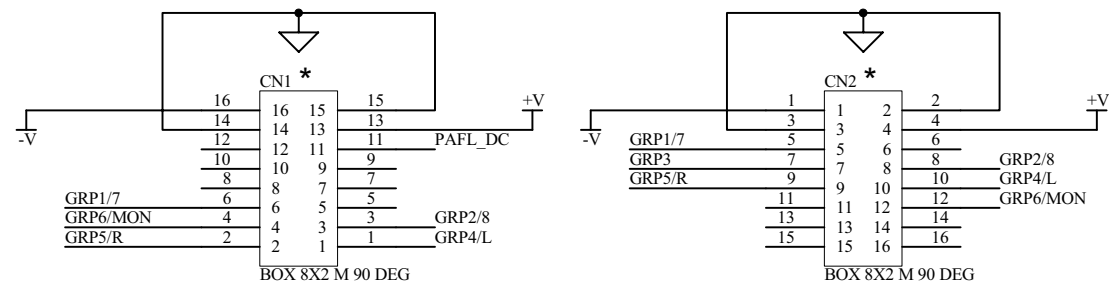
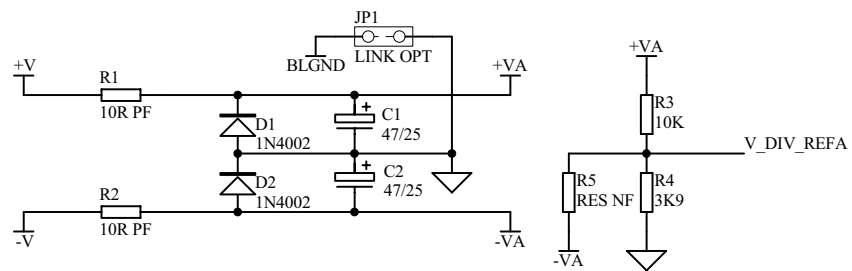
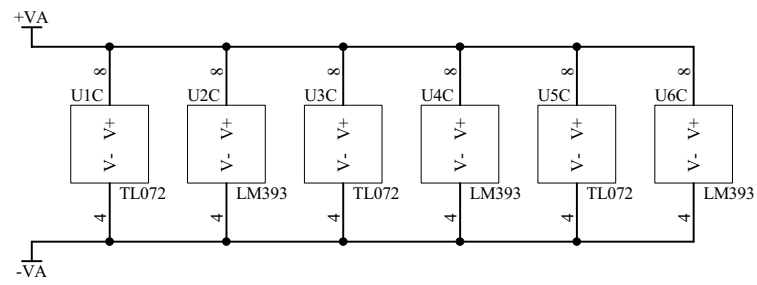
SHEET: 2 OF 3

A3

ALLEN&HEATH

Kernick Industrial Estate,
Penryn, Cornwall,
England. TR10 9LU

Tel: +44 (0)8707 556250
Fax: +44 (0)8707 556251



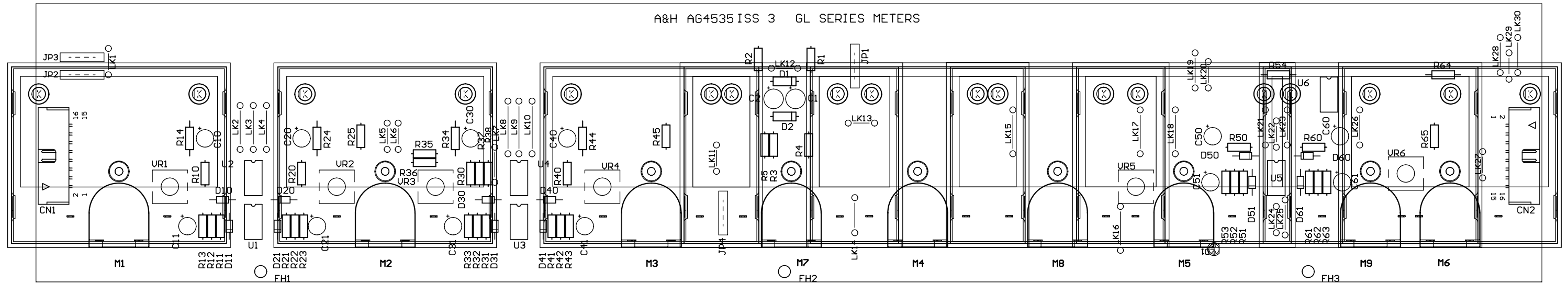
ISSUE	BY	DATE
A	AAT	19-07-01
1	AAT	14-08-01
2	AAT	13-11-01
2.1	MDG	10-12-01
3	AAT	09-01-02

FILE: C4535_3P3.Sch	PRINTED: 11:26:41 13-Jun-2005
---------------------	-------------------------------

TITLE: GL SERIES METERS	PAGE: POWER AND CONNECTORS
DRG No: C4535	ISSUE: 3
SHEET: 3 OF 3	A3

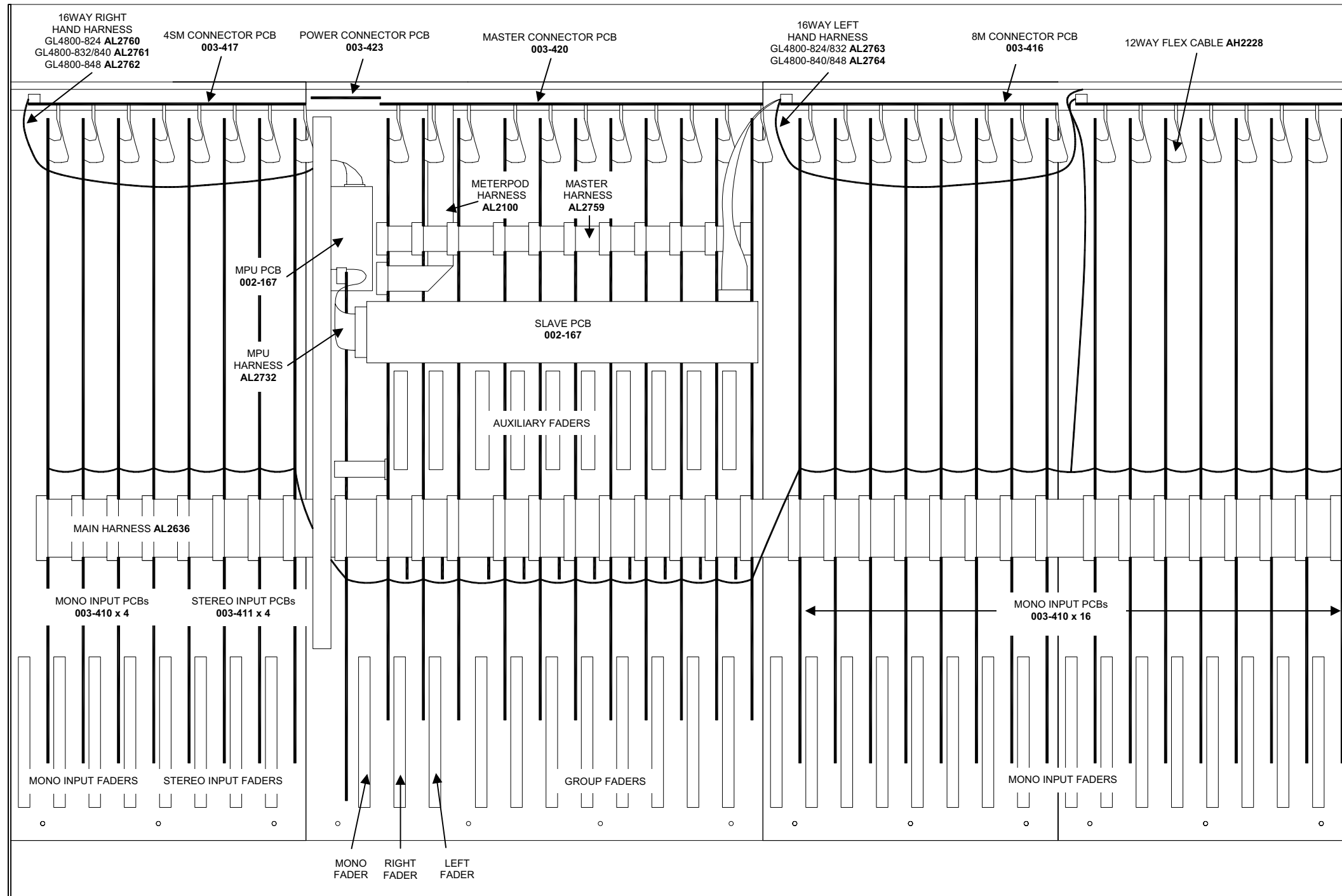
ALLEN&HEATH
 Kernick Industrial Estate,
 Penryn, Cornwall,
 England. TR10 9LU
 Tel: +44 (0)8707 556250
 Fax: +44 (0)8707 556251

A&H AG4535 ISS 3 GL SERIES METERS



GL4800 Internal Layout

(GL4800-824B shown)



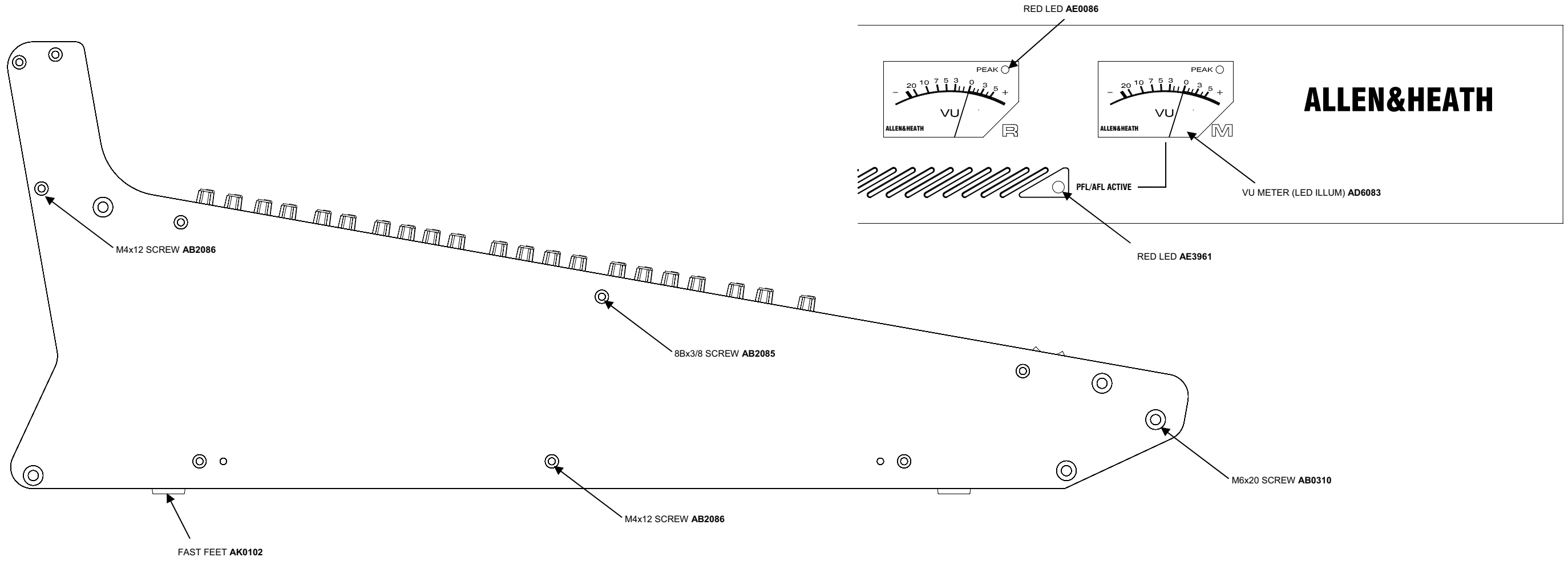
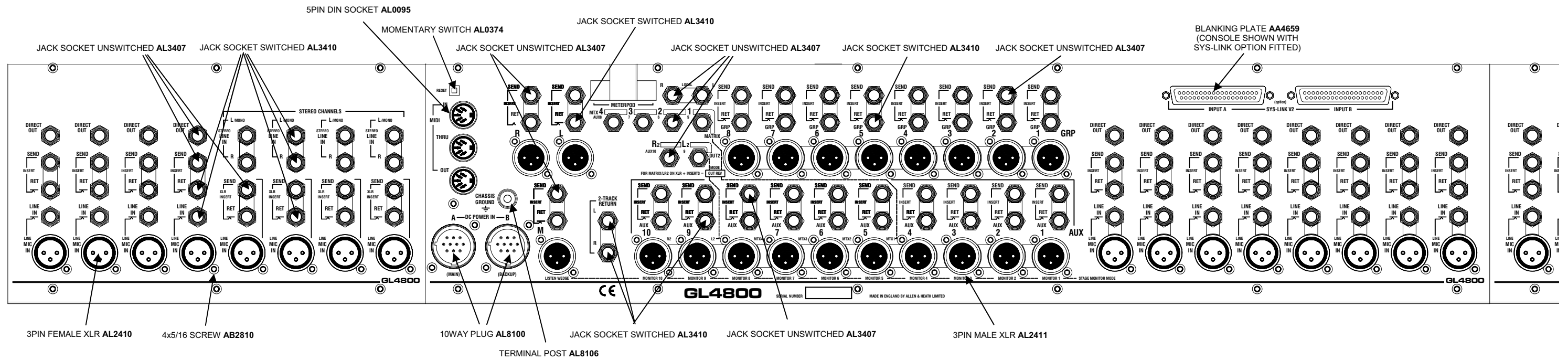
Product.....GL4800-824m
GL4800-832m
GL4800-840m
GL4800-848m

m =
 A All mono channels
 B 4 stereos to right of masters
 C 4 stereos on right of console
 D 8 stereos on right of console

Master PCB 002-165
 Slave PCB 002-167
 MPU PCB 002-198
 Mono Input PCB 003-410
 Stereo Input PCB 003-411
 Group A PCB 003-412
 Group B PCB 003-413
 Group C PCB 003-414
 Mono PCB 003-415
 8M Connector PCB 003-416
 4SM Connector PCB 003-417
 4MS Connector PCB 003-418
 8S Connector PCB 003-419
 Master Connector PCB 003-420
 Meters 1-6 PCB 003-421
 Meters Master PCB 003-422
 Power Connector PCB 003-423
 Mix Amp Sub PCB 003-452
 SYS-LINK In PCB + Harness ... 003-462

GL4800 Surface Parts

(GL4800-824B shown)



GL4800 SYSTEM BLOCK DIAGRAM

