

ALLEN & HEATH



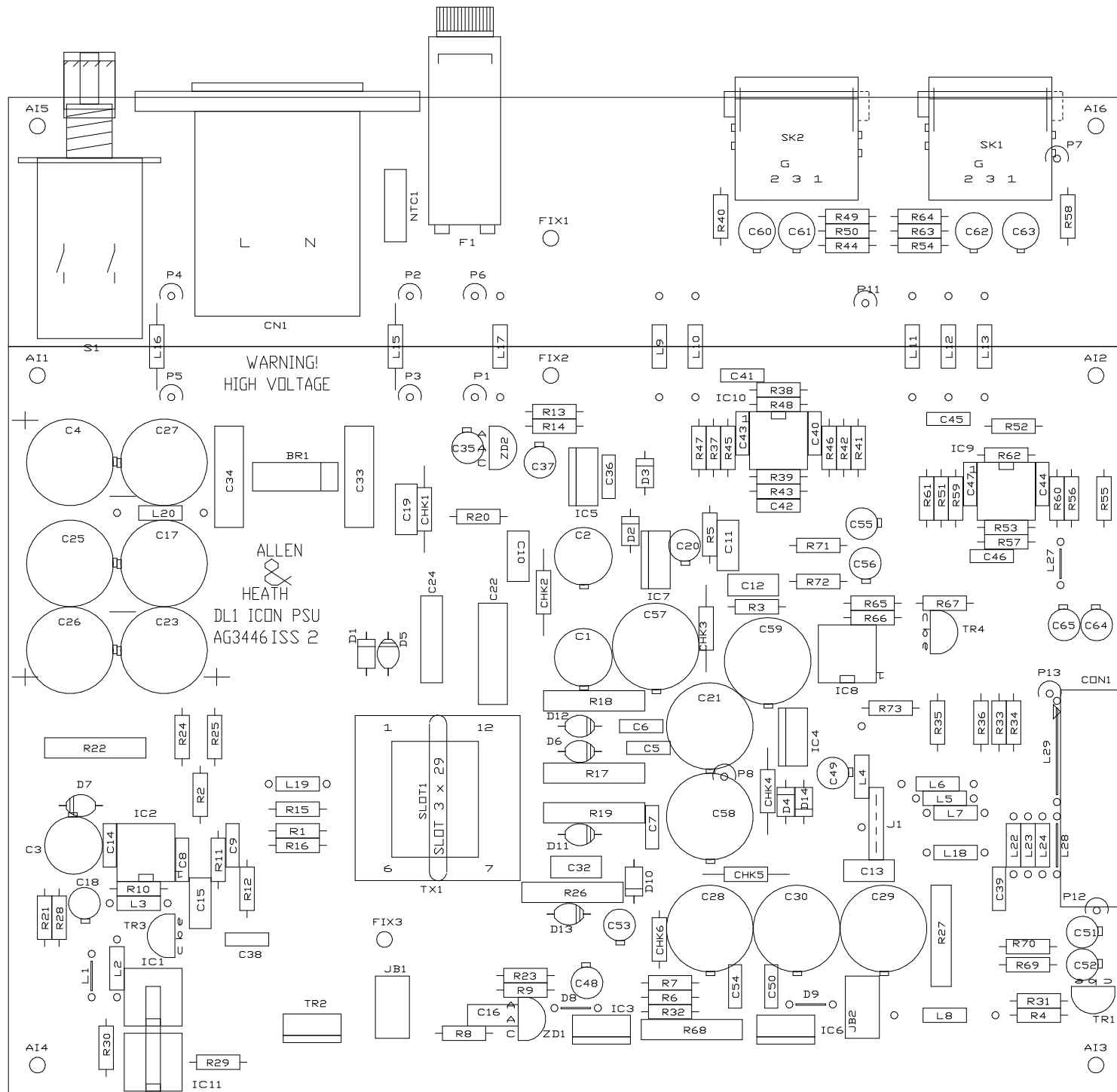
WARNING – HIGH VOLTAGES

Power Supply Unit (PSU) work should only be carried out by qualified personnel.

We recommend that you use an approved Allen & Heath service centre for all power supply work.

Please contact your local Allen & Heath distributor for more details.

<http://www.allen-heath.com/>

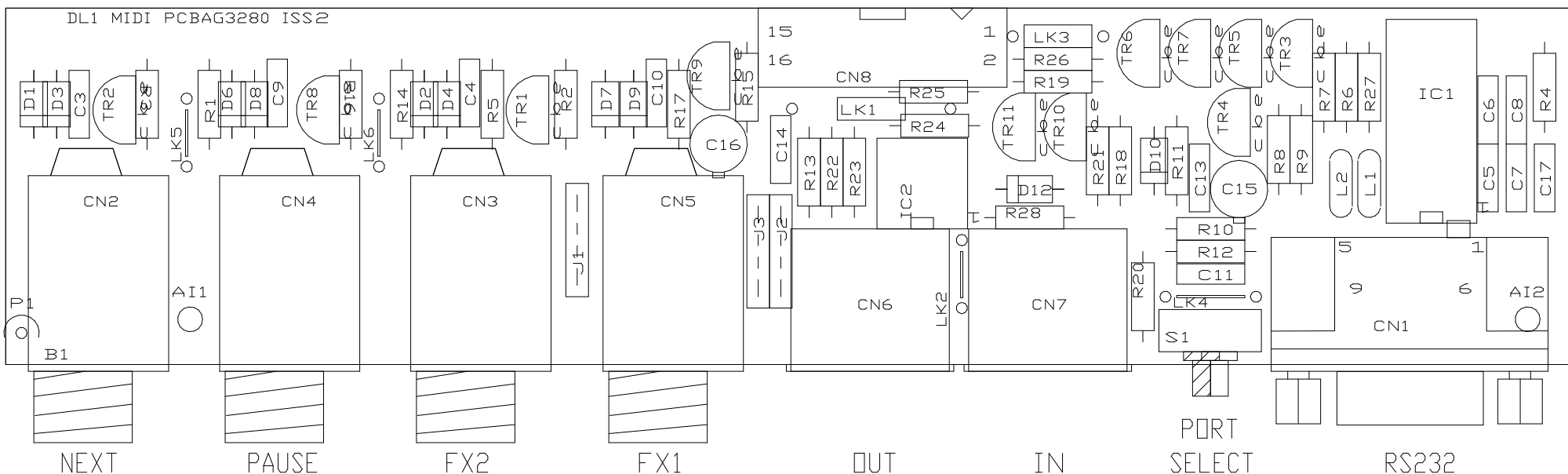


AG3446 ISS 2 ICDN PSU COMPONENT LAYER

DL1 MIDI PCBAG3280 ISS2

TO CHASSIS EARTH

TO CPU



NEXT

PAUSE

FX2

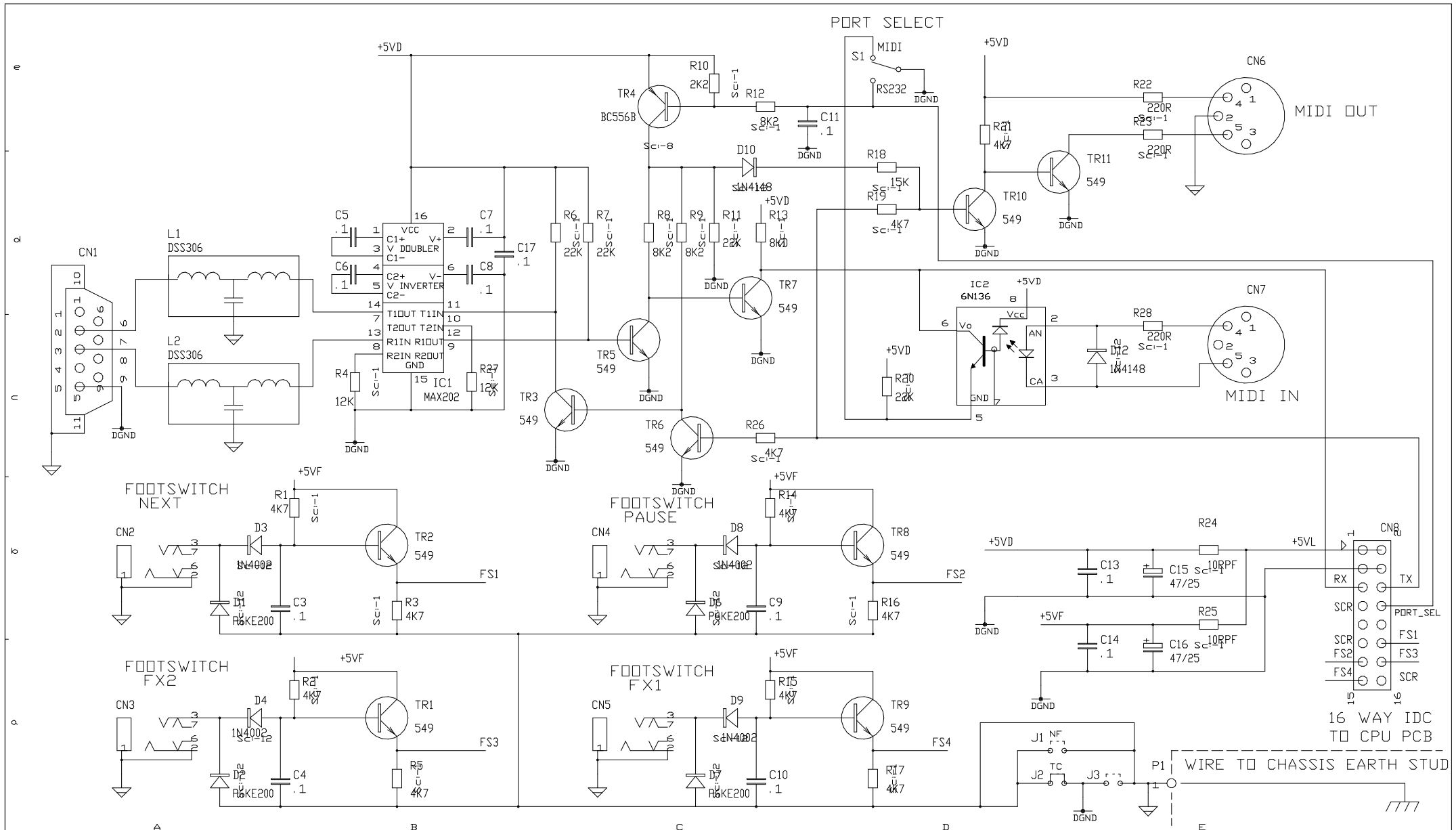
FX1

OUT

IN

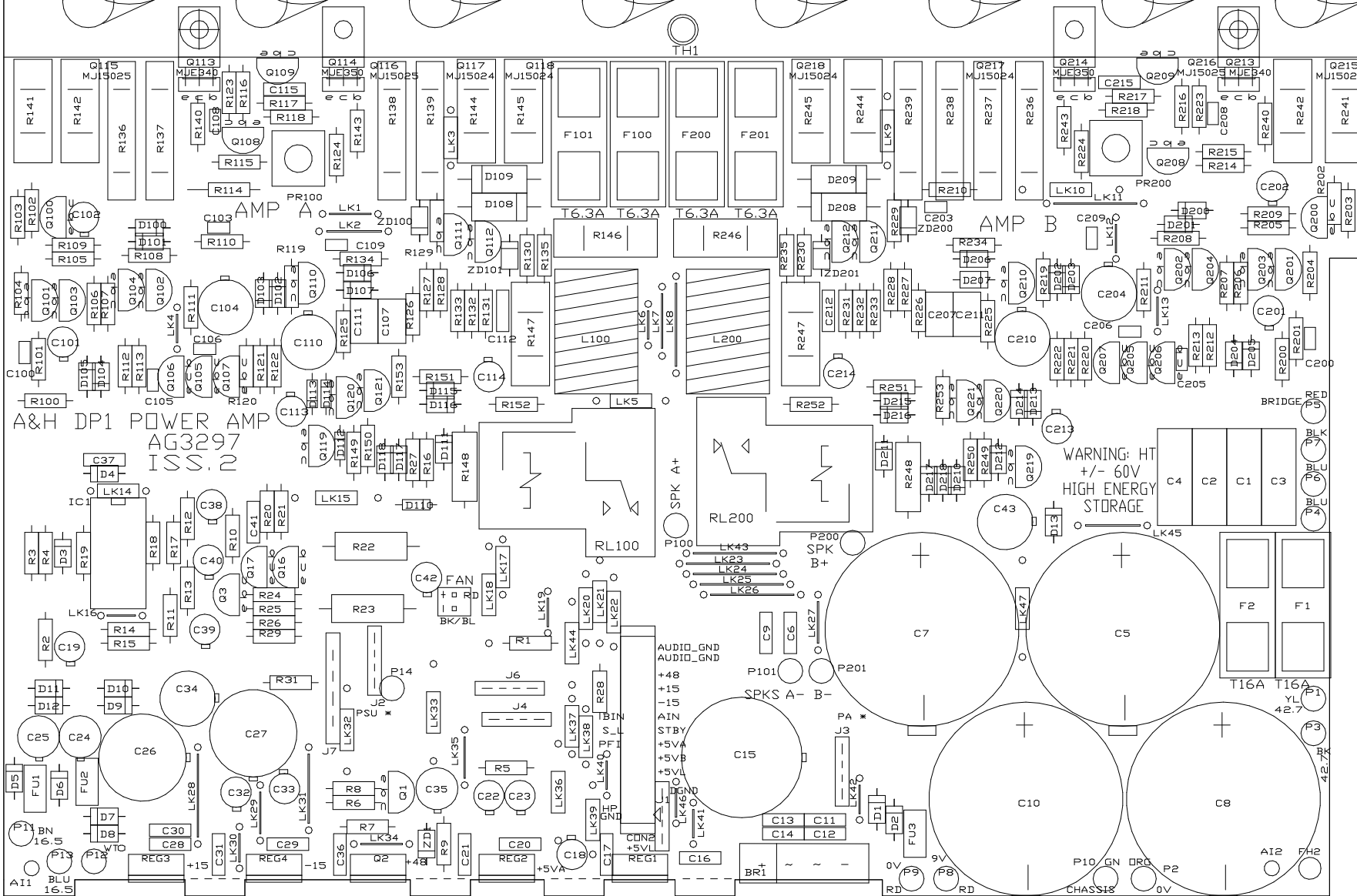
PORT SELECT

RS232



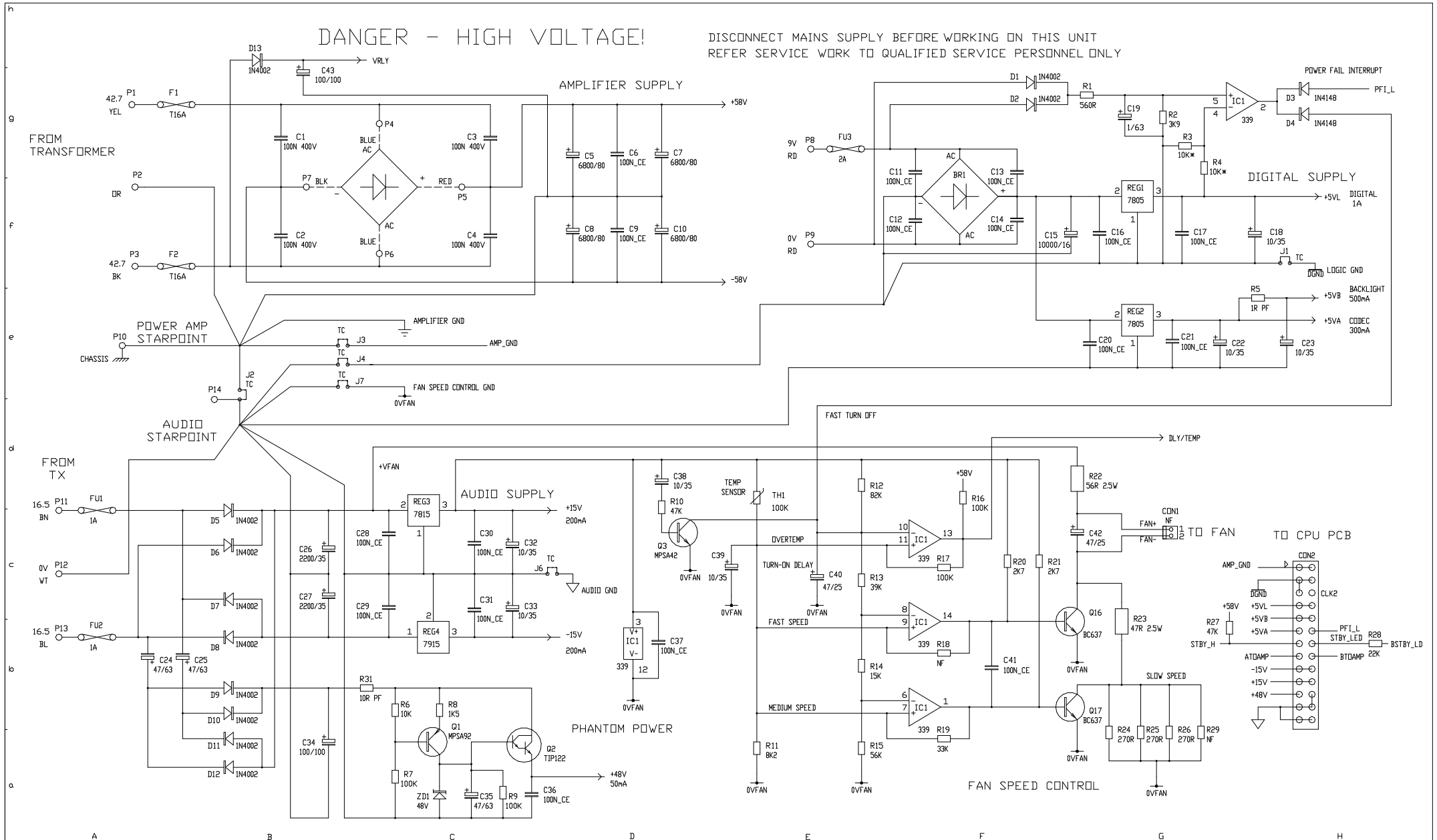
ISS.	REVISION	BY	DATE	NOTES	UNIT TITLE	MANUFACTURED IN ENGLAND BY
A	ORIGIN	DRP	11-3-98	1. RESISTORS MARKED * ARE 1% ALL OTHERS ARE 5% 1/4W UNLESS OTHERWISE MARKED 2. ELECTROLYTIC CAPACITORS ARE ?F/VOLTS	DL1	ALLEN & HEATH
B	NEXT & PAUSE CHT CHG	AAT	10-08-98		DRAWING TITLE	
1	PRODUCTION	DRP	2-10-98		CIRCUIT DIAGRAM	
2	ESD MODS	DWD	6-4-99		MIDI PCB	
					FOR AG3280	
DRAWING No. C3280						ISSUE 2
						A3

2 OZ COPPER



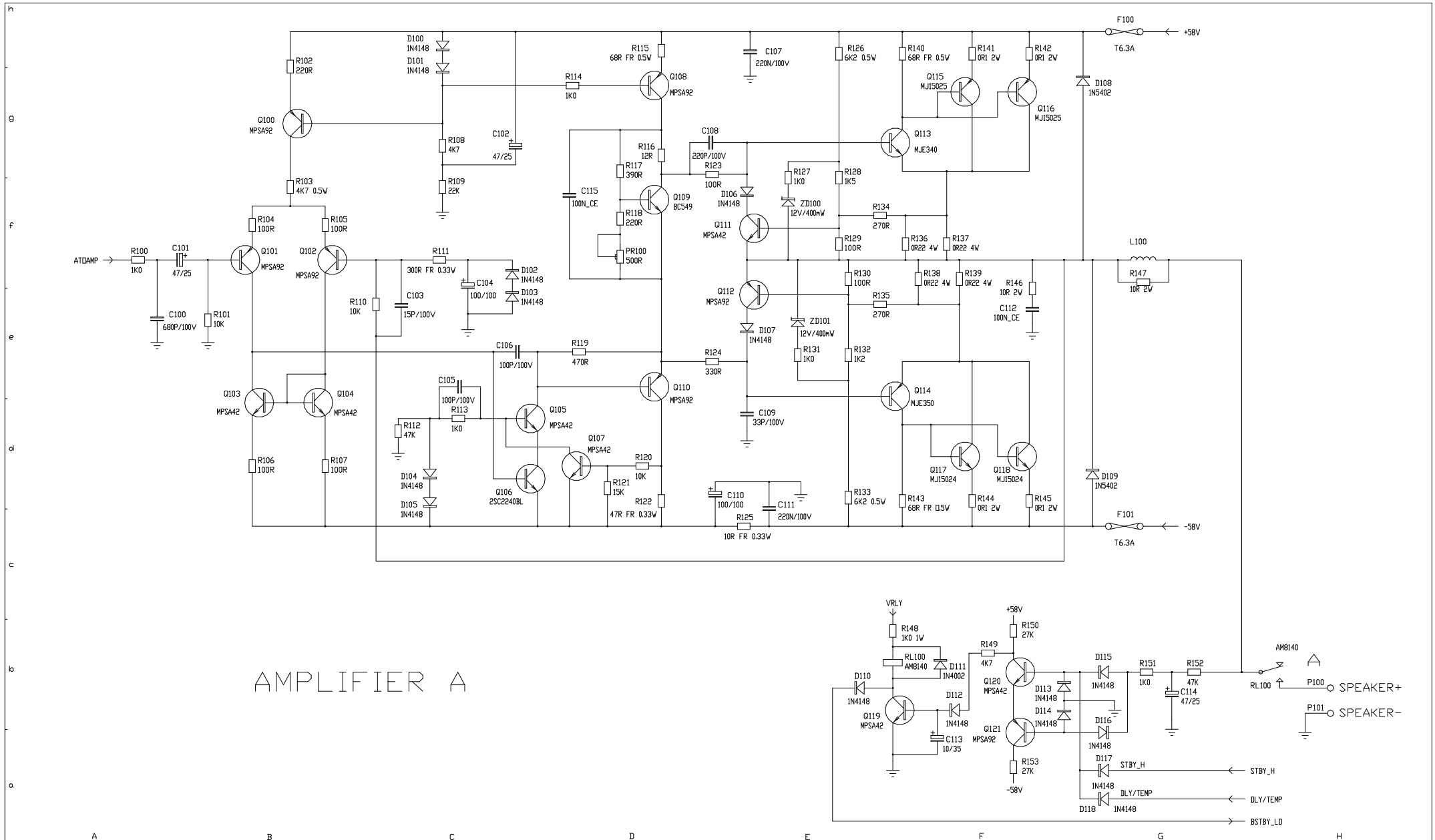
DANGER - HIGH VOLTAGE!

DISCONNECT MAINS SUPPLY BEFORE WORKING ON THIS UNIT
REFER SERVICE WORK TO QUALIFIED SERVICE PERSONNEL ONLY

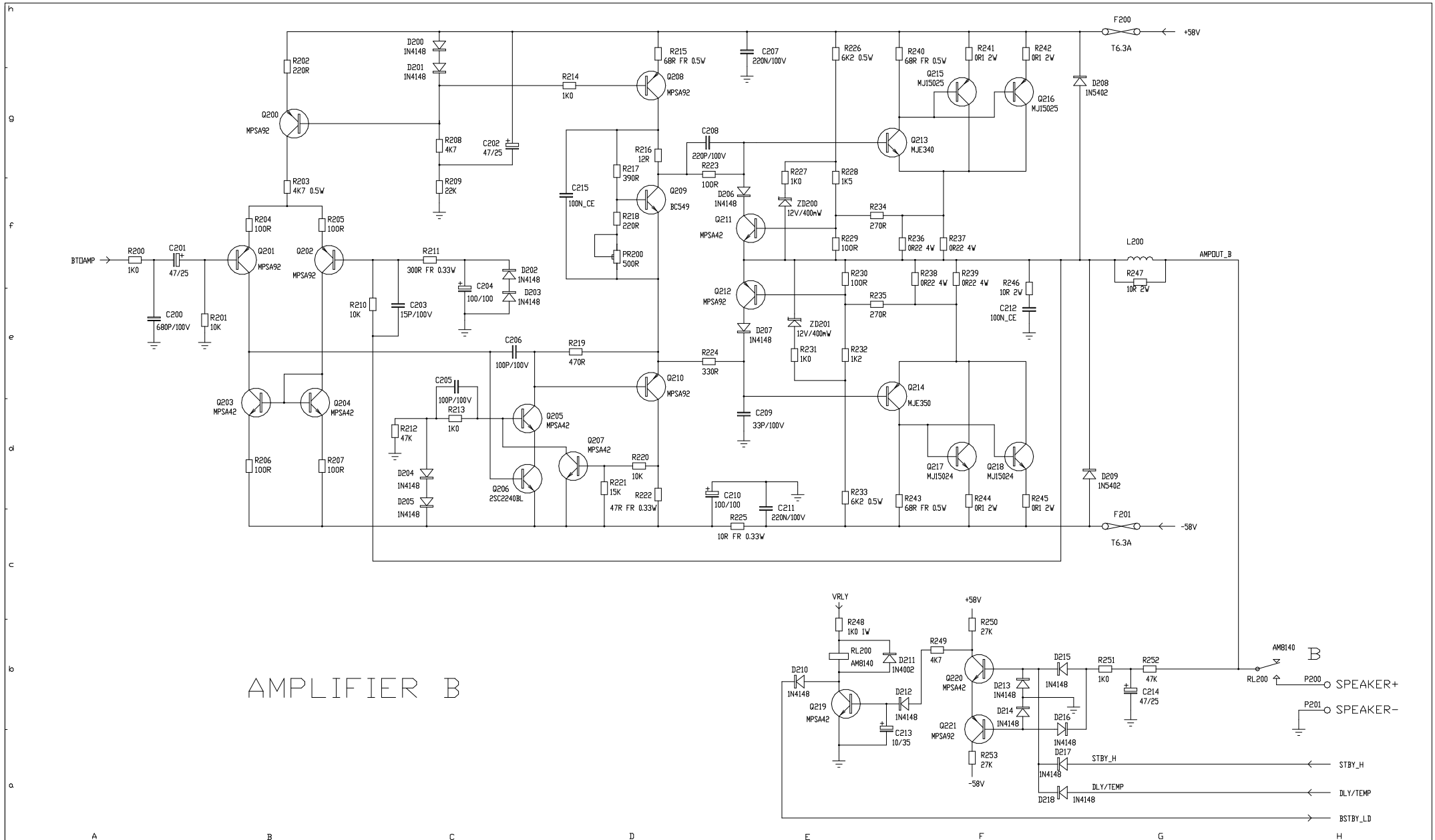


ISS.	REVISION	BY	DATE	NOTES	UNIT TITLE	MANUFACTURED IN ENGLAND BY
A	ORIGIN	DLP	28/5/98	1. RESISTORS MARKED * ARE 1% ALL OTHERS ARE 5% 1/4W UNLESS OTHERWISE MARKED	DL1	ALLEN & HEATH
B	UPDATES	DLP	19/8/98	2. ELECTROLYTIC CAPACITORS ARE 7% VOLTS	PAGE 1 OF 3	
1	PRODUCTION	DRP	11-9-98		DRAWING TITLE	
2	R29 ADDED	DLP	13/11/98		AMPLIFIER/PSU	DRAWING No. C3297
					AG3297	ISSUE 2

A2



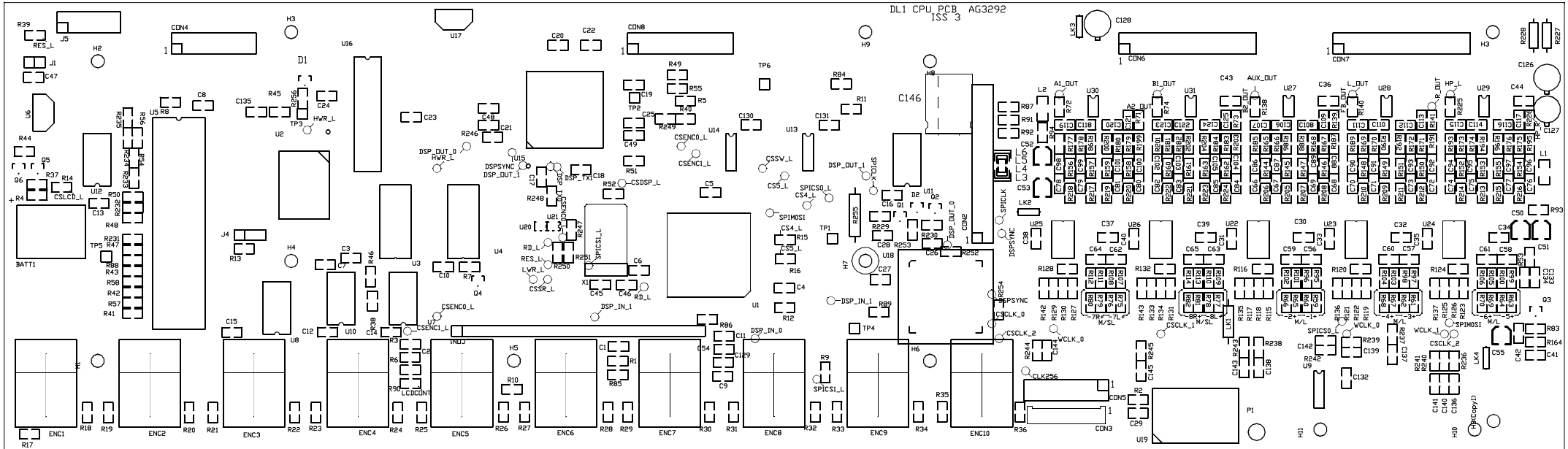
ISS.	REVISION	BY DATE	NOTES	UNIT TITLE	PAGE OF 3	MANUFACTURED IN ENGLAND BY
A	ORIGIN	DLP 28/5/98	1. RESISTORS MARKED * ARE 1% ALL OTHERS ARE 5% 1/4W UNLESS OTHERWISE MARKED	DL1		ALLEN & HEATH
B	UPDATES	DLP 19/8/98				
1	PRODUCTION	DRP 11-9-98	2. ELECTROLYTIC CAPACITORS ARE 7% VOLTS	AMPLIFIER/PSU		
2	R29 ADDED	DLP13/11/98		AG3297		
DRAWING No. C3297						ISSUE 2
						A2



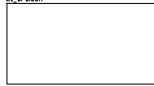
ISS.	REVISION	BY	DATE	NOTES	UNIT TITLE	PAGE	OF	MANUFACTURED IN ENGLAND BY
A	ORIGIN	DLP	28/5/98	1. RESISTORS MARKED * ARE 1% ALL OTHERS ARE 5% 1/4W UNLESS OTHERWISE MARKED	DL1		3	ALLEN & HEATH
B	UPDATES	DLP	19/8/98	2. ELECTROLYTIC CAPACITORS ARE 70V/VOLTS	AMPLIFIER/PSU			
1	PRODUCTION	DRP	11-9-98		AG3297			DRAWING No. C3297
2	R29 ADDED	DLP	13/11/98					ISSUE 2

A2

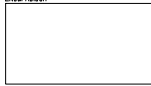
DL1 CPU PCB AG3292
1SS_3



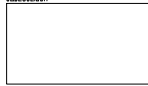
CPU
L1 CPU SCH



ENCODERS & FIBERS
ENC/FIB SCH



CODECS
CODECS SCH



DSP MEMORY
DSP SCH



CODECS
CODECS SCH



CONNECTORS
CONNS SCH

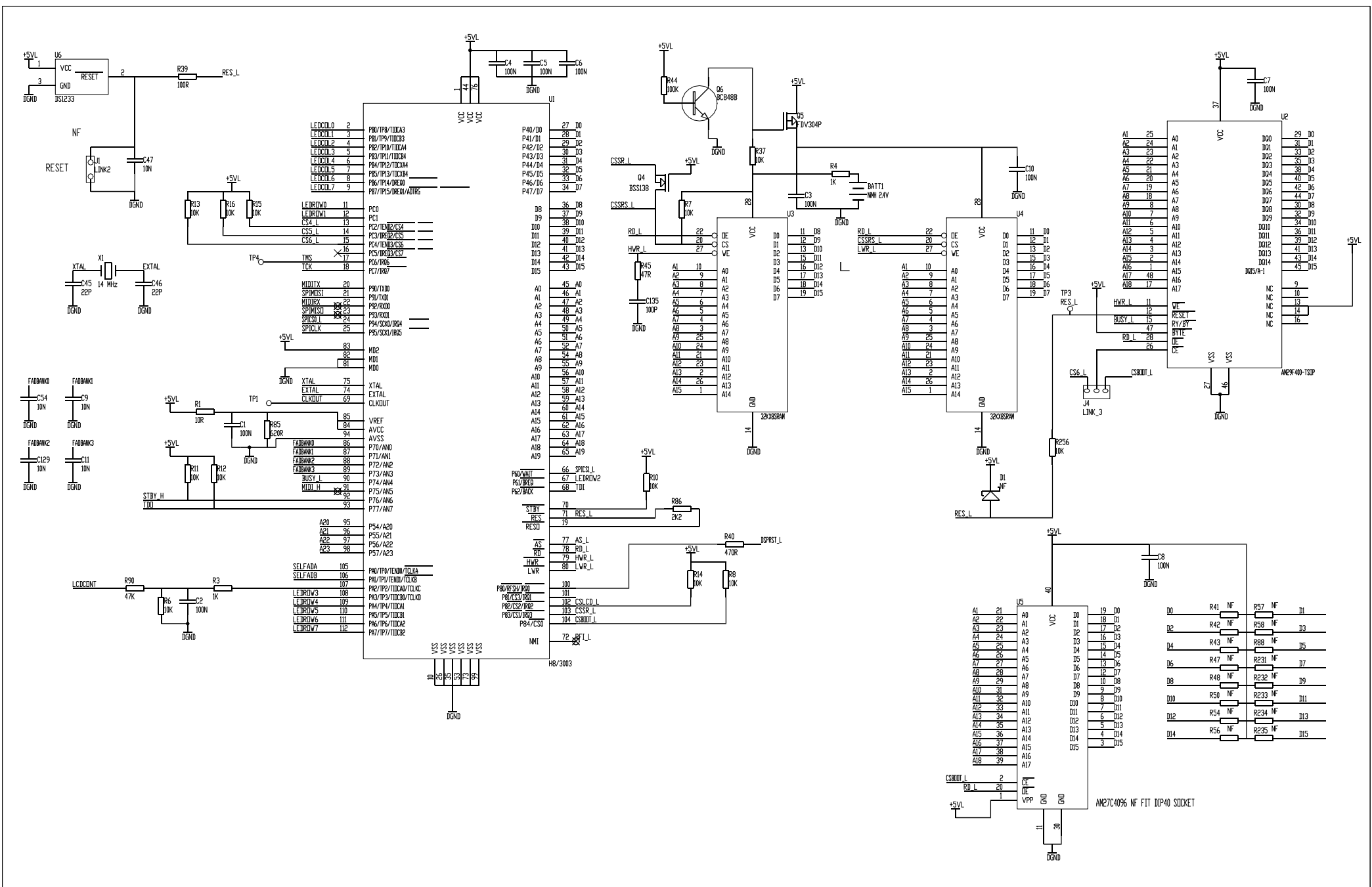


ISSUE	BY	DATE
ISS A	SCOTT	13 JULY 98
ISS B	AAT	22-07-98
ISS 1	AAT	28-09-98
ISS 2	AAT	30-11-98
ISS 3	AAT	23-06-99

FILE:	E:\DXF\Bob\allcpu\ag3292_3.ddb - Documents\2L_all.prj
100241	29-Sep-2000
DISK:	

TITLE:	DL1 CPU PCB
PAGE:	TOP LEVEL
NO:	AG3292
ISSUE:	ISS 3
SHEET	1 OF 7
A3	

Allen & Heath
 Kennick Industrial Estate,
 Penryn, Cornwall,
 England,
 TR10 9LU
 Tel: (44) (0) 1326 372070
 Fax: (44) (0) 1326 365736



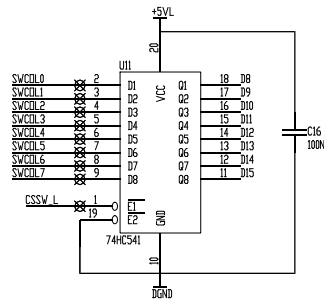
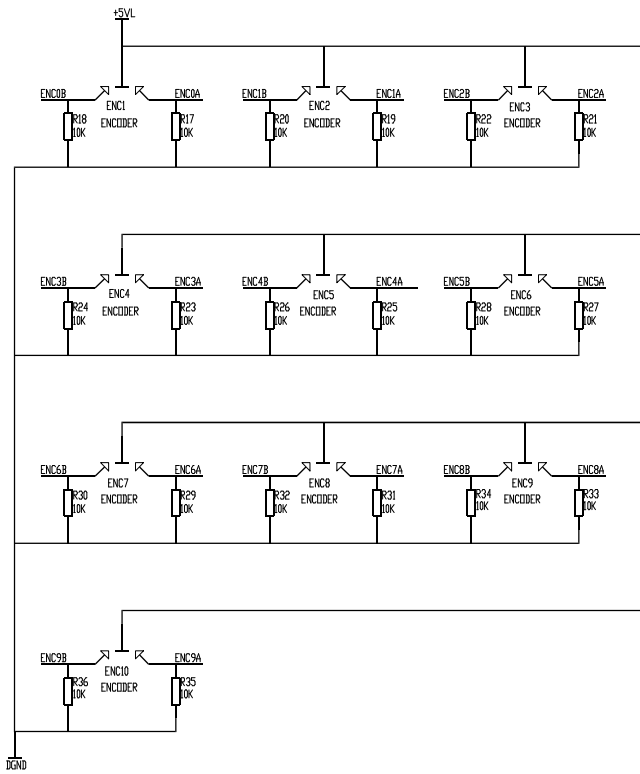
ISSUE	BY	DATE
ISS A	SCOTT	13 JULY 98
ISS B	AAT	22-07-98
ISS 1	AAT	28-09-98
ISS 2	AAT	30-11-98
ISS 3	AAT	23-06-99

FILE: E:\DXF\Bob\allcpu\ag3292_3.ddb - Documents\ALL_CPUSCH

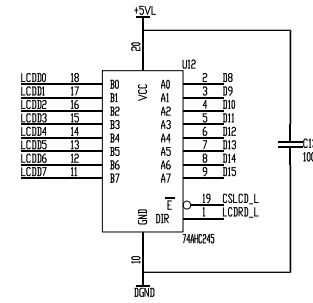
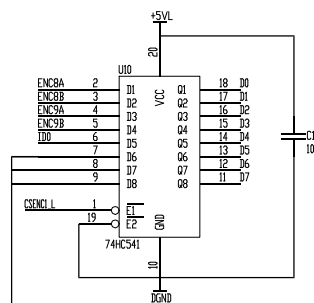
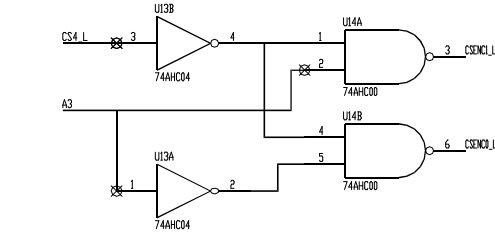
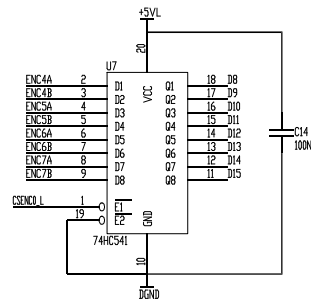
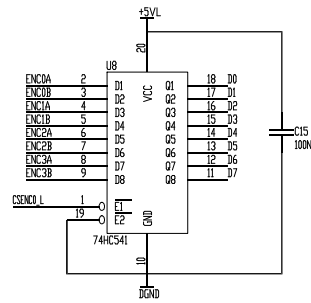
TITLE: DL1 CPU PCB
PAGE: CPU & MEMORY

Allen & Heath
Kernick Industrial Estate,
Penryn, Cornwall,
England,
TR10 9LU
Tel: (44) (0) 1326 372070
Fax: (44) (0) 1326 365736

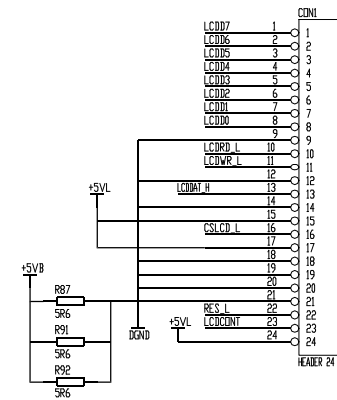
ROTARY ENCODER BUFFERS



SWITCH MATRIX BUFFER



LCD INTERFACE

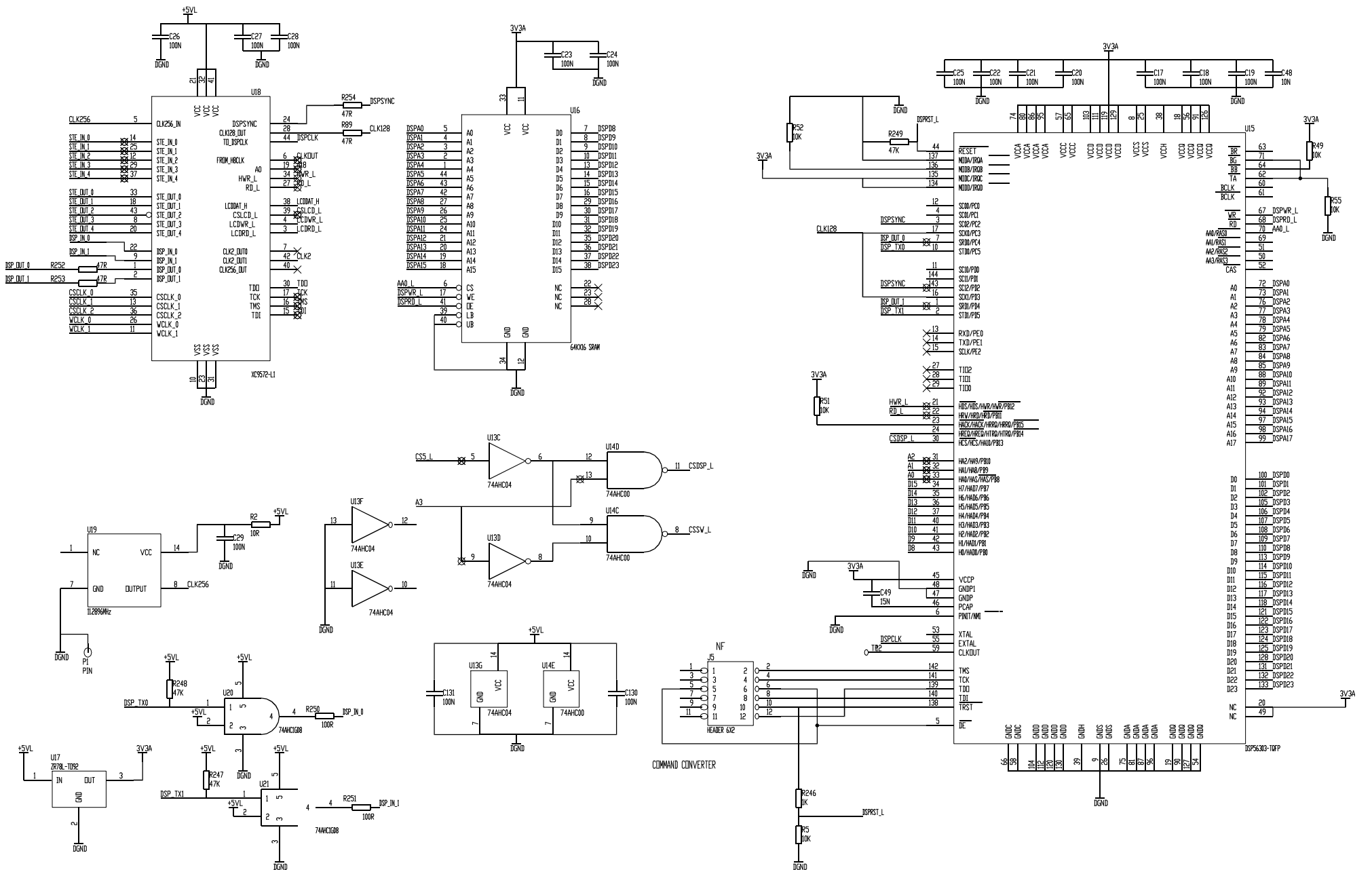


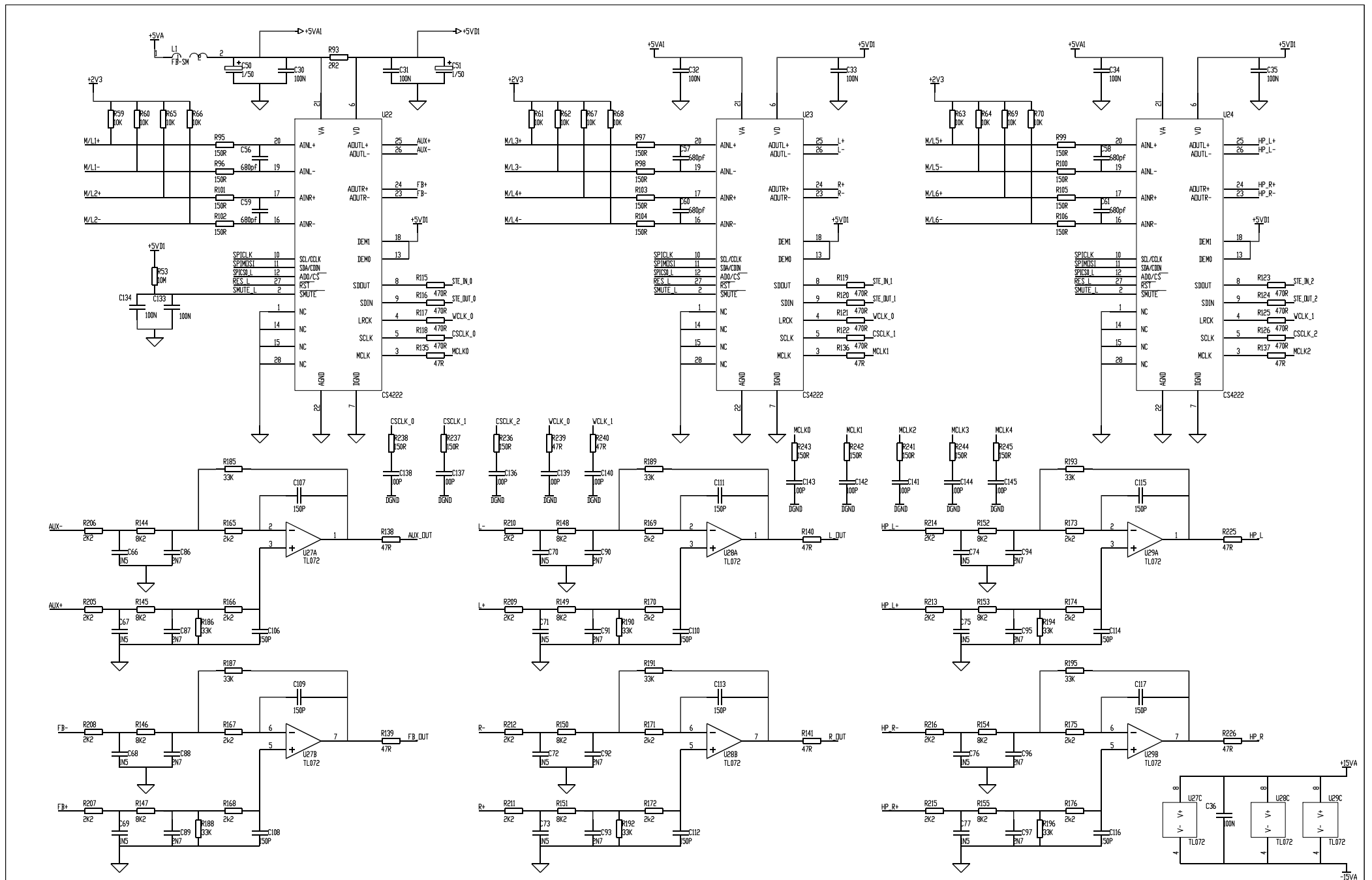
ISSUE	BY	DATE
ISS A	SCOTT	13 JULY 98
ISS B	AAT	22-07-98
ISS 1	AAT	28-09-98
ISS 2	AAT	30-11-98
ISS 3	AAT	23-10-99

FILE: E:\DXF\Bob\allcpu\ag3292_3ddb - Documents\ENCFAD.SCH
 100411 29-Sep-2000 DISK

TITLE: DL1 CPU PCB
 PAGE: ENCODERS & LCD INTERFACE
 ISSUE: ISS 3 SHEET 3 OF 7 A3

Allen & Heath
 Kennick Industrial Estate,
 Penryn, Cornwall,
 England.
 TR10 9LU
 Tel: (44) (0) 1326 372070
 Fax: (44) (0) 1326 365736



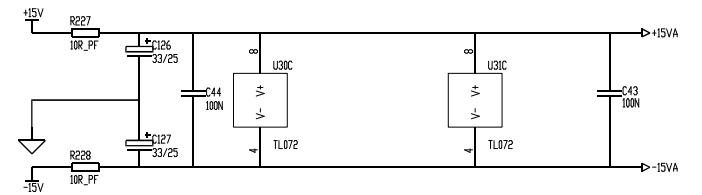
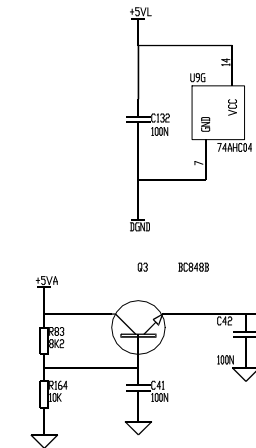
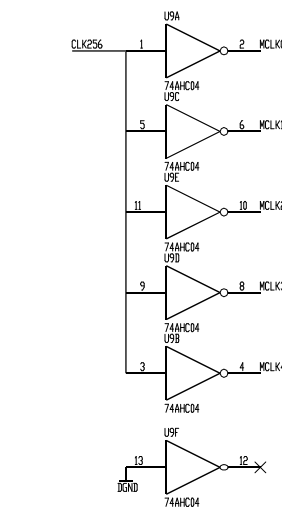
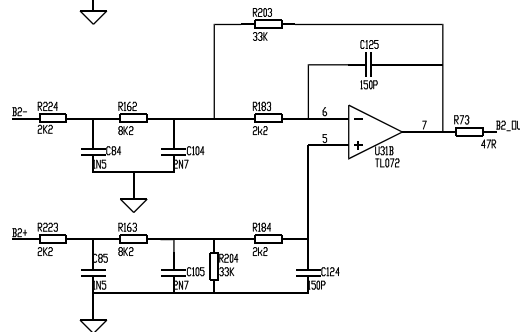
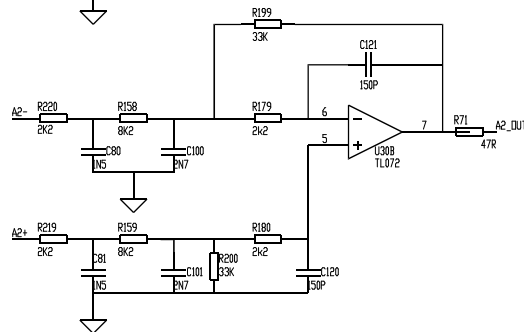
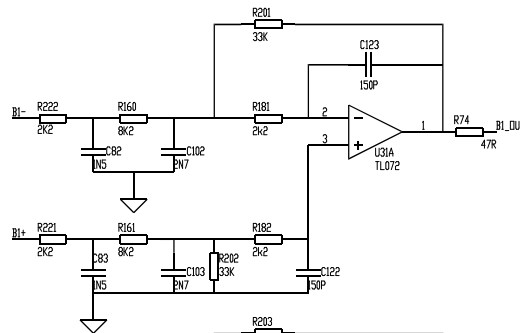
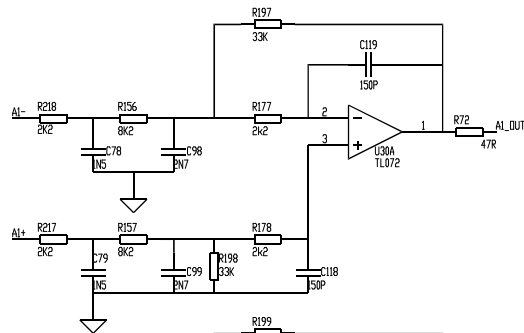
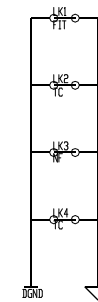
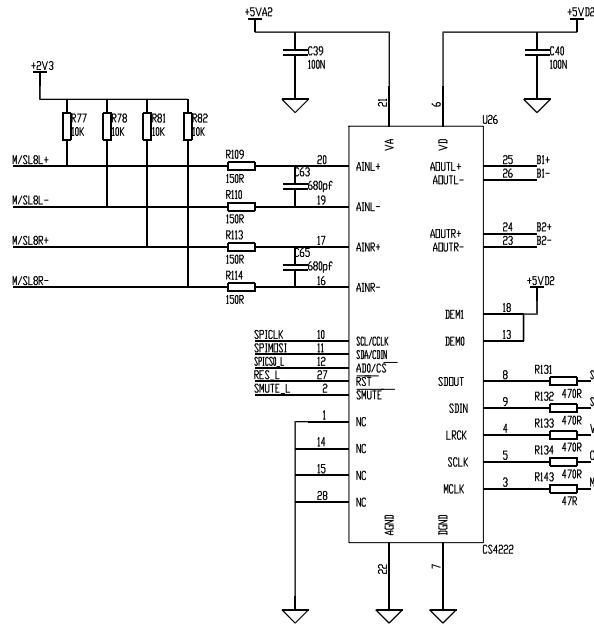
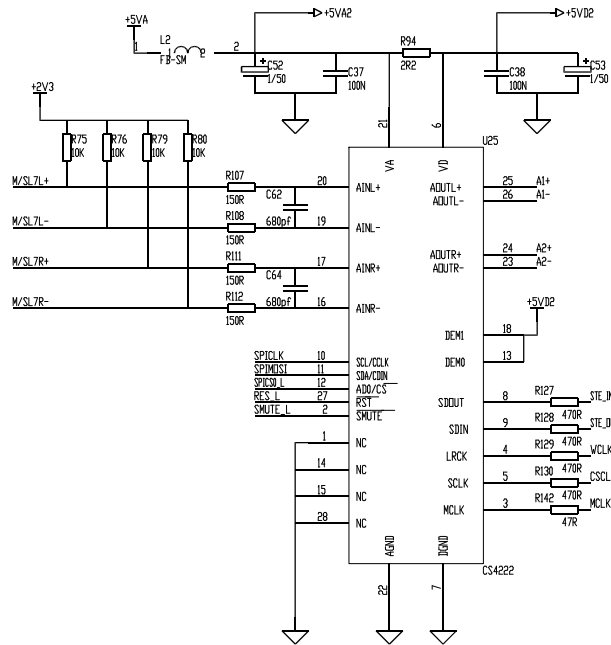


ISSUE	BY	DATE
ISS A	ASDIT	13 JULY 98
ISS B	AAT	22-07-98
ISS 1	AAT	28-09-98
ISS 2	AAT	30-11-98
ISS 3	AAT	23-06-99

FILE: E:\DXF\Bob\allcpu\ag3292_3.ddb - Documents\C0DCECS1.SCH

TITLE: DL1 CPU PCB
 PAGE: CODECS 1

Allen & Heath
 Kennick Industrial Estate,
 Penryn, Cornwall,
 England.
 TR10 9LU
 Tel: (44) (0) 1326 372070
 Fax: (44) (0) 1326 365736

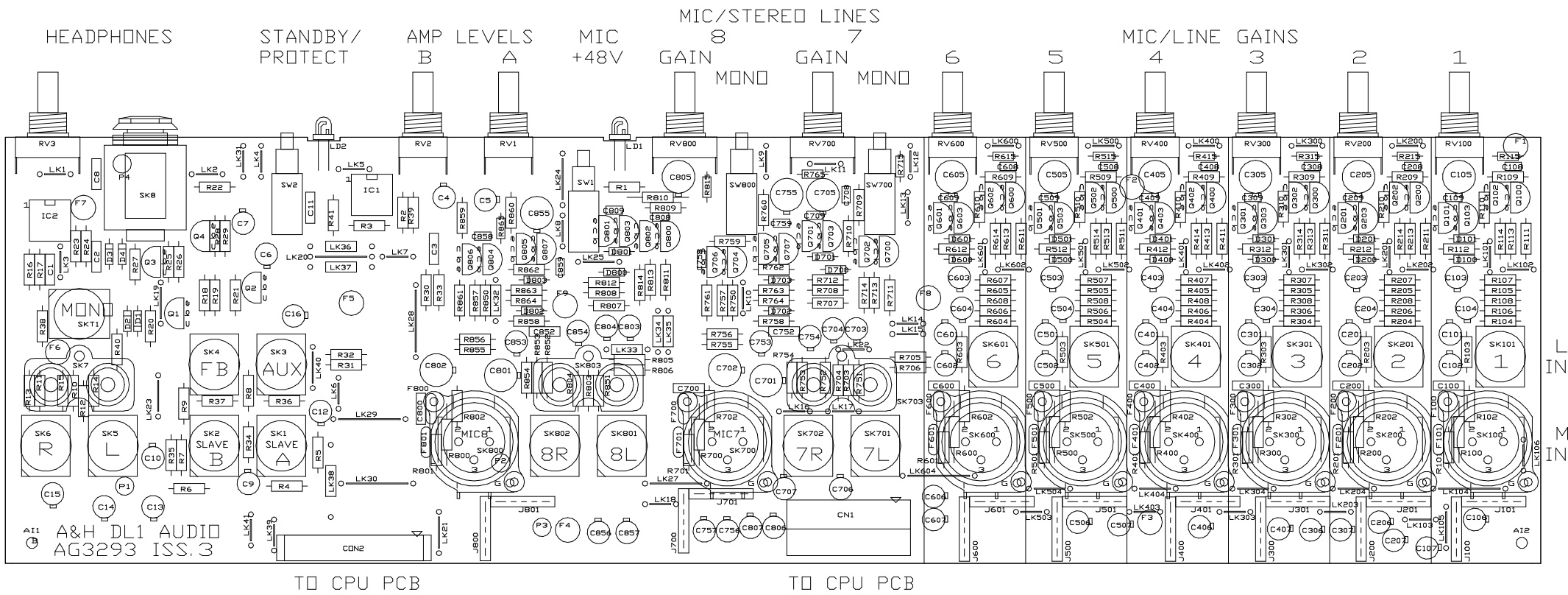


ISSUE	BY	DATE
ISS A	ASDIT	13 JULY 98
ISS B	AAT	22-07-98
ISS 1	AAT	28-09-98
ISS 2	AAT	30-11-98
ISS 3	AAT	23-10-99

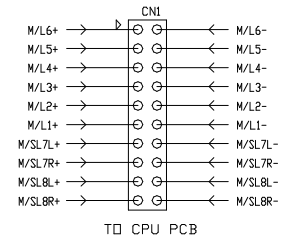
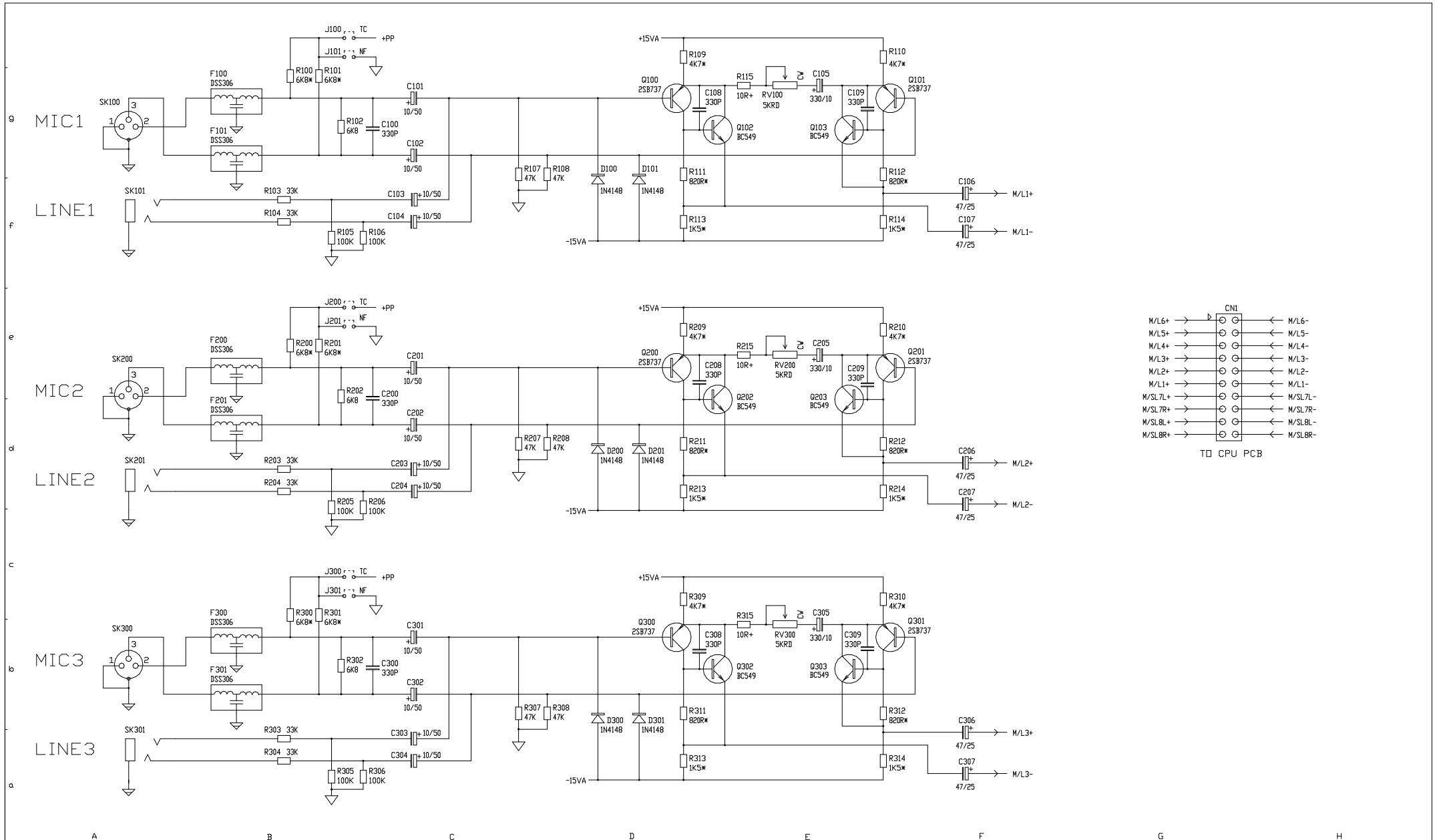
FILE: E:\DXF\Bob\allcpu\ag3292_3.ddb - Documents\CIDECS2.SCH

TITLE: DL1 CPU PCB
PAGE: CODECS 2

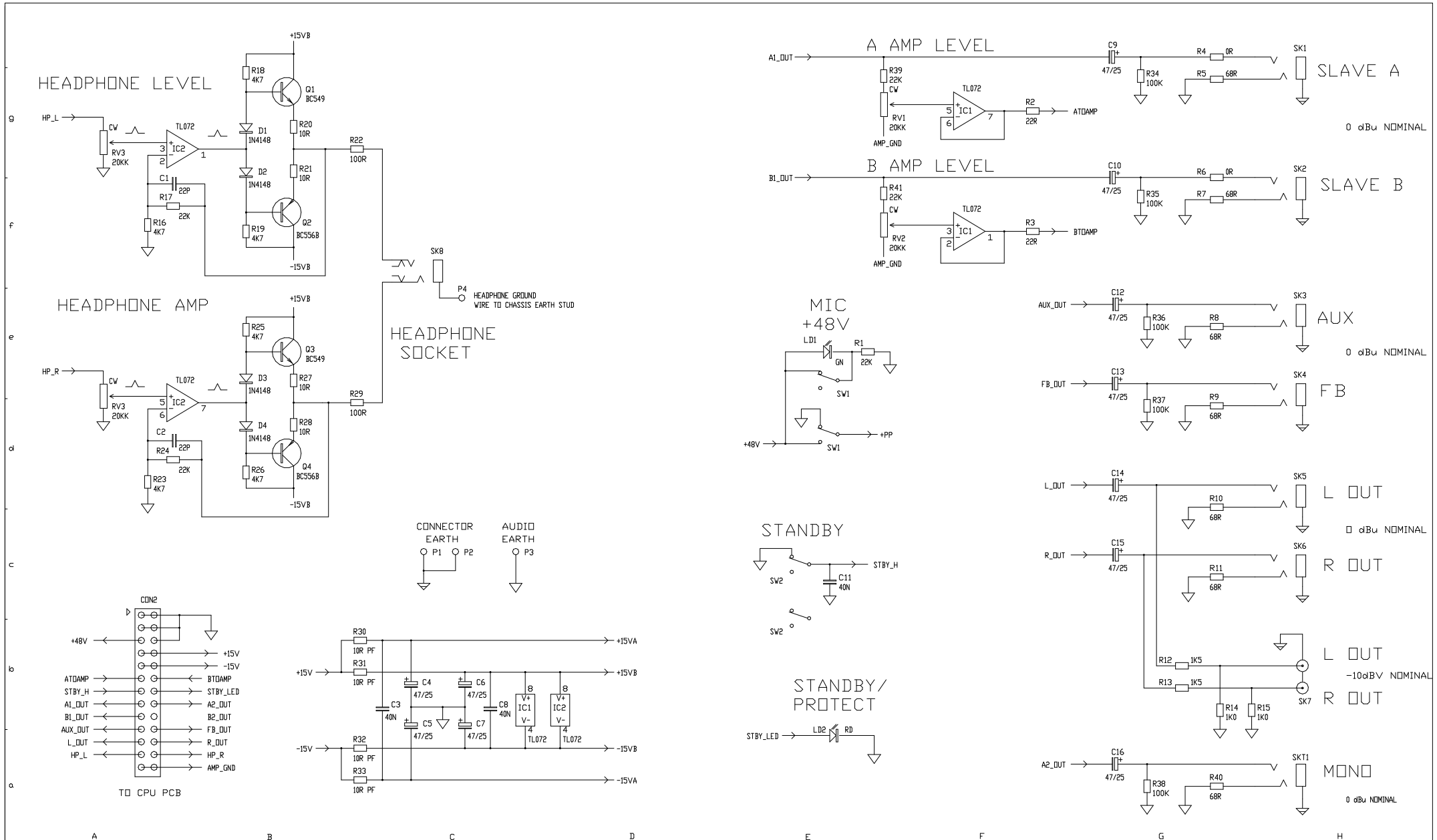
Allen & Heath
Kerrick Industrial Estate,
Penryn, Cornwall,
England.
TR10 9LU
Tel: (44) (0) 1326 372070
Fax: (44) (0) 1326 365736



L
M
IN



ISS.	REVISION	BY	DATE	NOTES	UNIT TITLE	SHEET	OF	MANUFACTURED IN ENGLAND BY
A	ORIGIN	DLP	18/3/98	1. RESISTORS MARKED * ARE 1% ALL OTHERS ARE 5% 1/4W UNLESS OTHERWISE MARKED	DL1		4	ALLEN & HEATH
B	UPDATES	DLP	11/8/98					
1	PRODUCTION	DLP	11/9/98					
2	SIGNAL NAME CHANGE	DRP	13-10-98	2. ELECTROLYTIC CAPACITORS ARE 16V/VOLTS	DRAWING TITLE			
3	R39 & R40 VALUE CHANGE	SDW	20-01-99	3. RESISTORS MARKED + ARE 1/8W	AUDIO PCB			
								DRAWING No C3293
								ISSUE 3
								A2

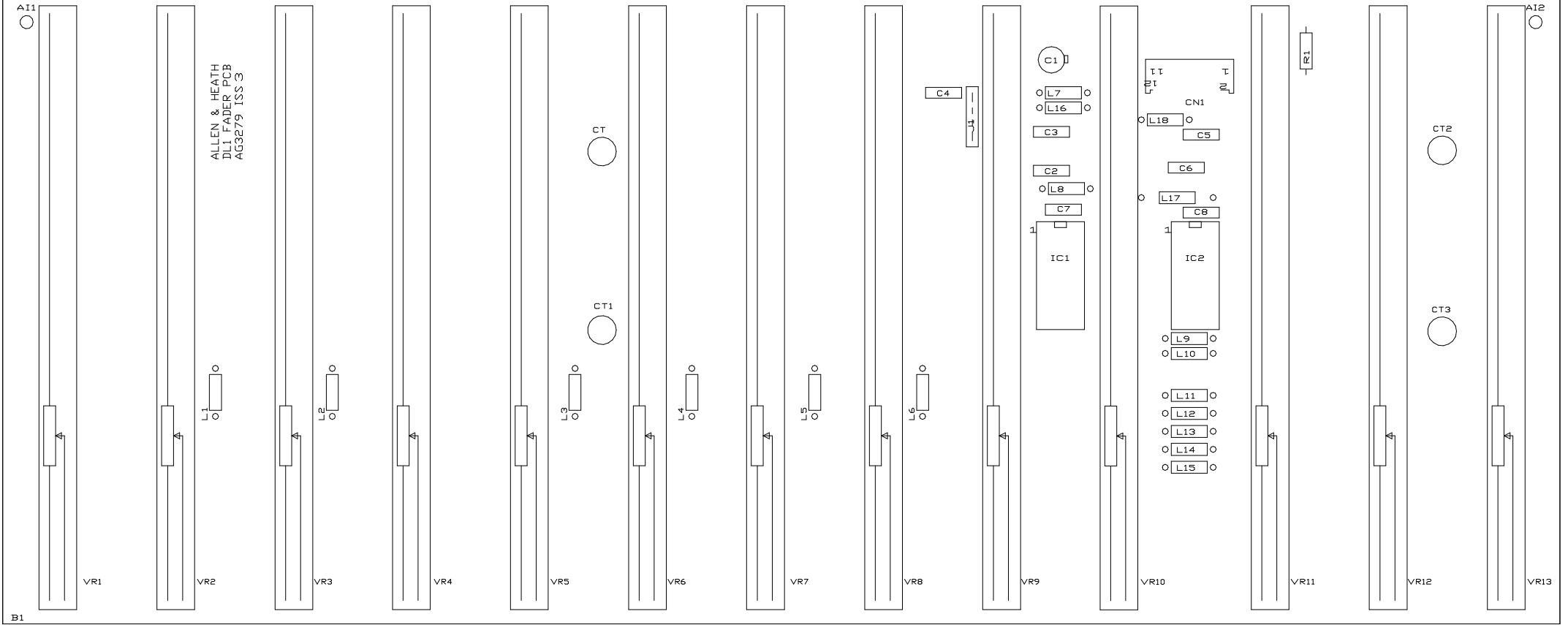


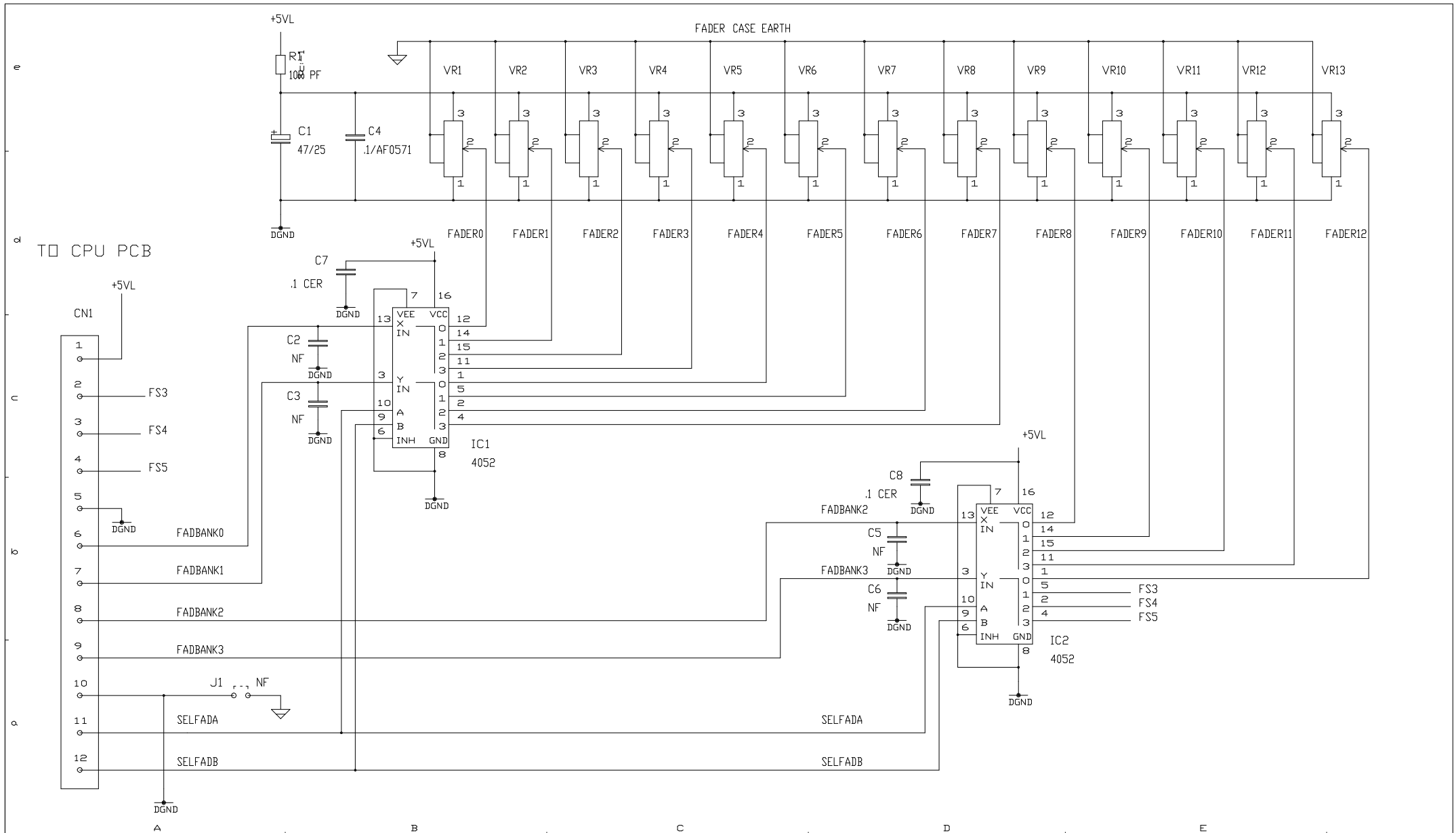
ISS.	REVISION	BY	DATE
A	ORIGIN	DLP	18/3/98
B	UPDATES	DLP	11/8/98
1	PRODUCTION	DLP	11/9/98
2	SIGNAL NAME CHANGE	DRP	13-10-98
3	R39 & R40 VALUE CHANGE	SDWD	20-01-99

NOTES
1. RESISTORS MARKED * ARE 1% ALL OTHERS ARE 5% 1/4W UNLESS OTHERWISE MARKED
2. ELECTROLYTIC CAPACITORS ARE 16V/VOLTS
3. RESISTORS MARKED + ARE 1/8W

UNIT TITLE	DL1	SHEET 4 OF 4
DRAWING TITLE	AUDIO PCB	

MANUFACTURED IN ENGLAND BY		
ALLEN & HEATH		
DRAWING No	C3293	ISSUE 3
		A2



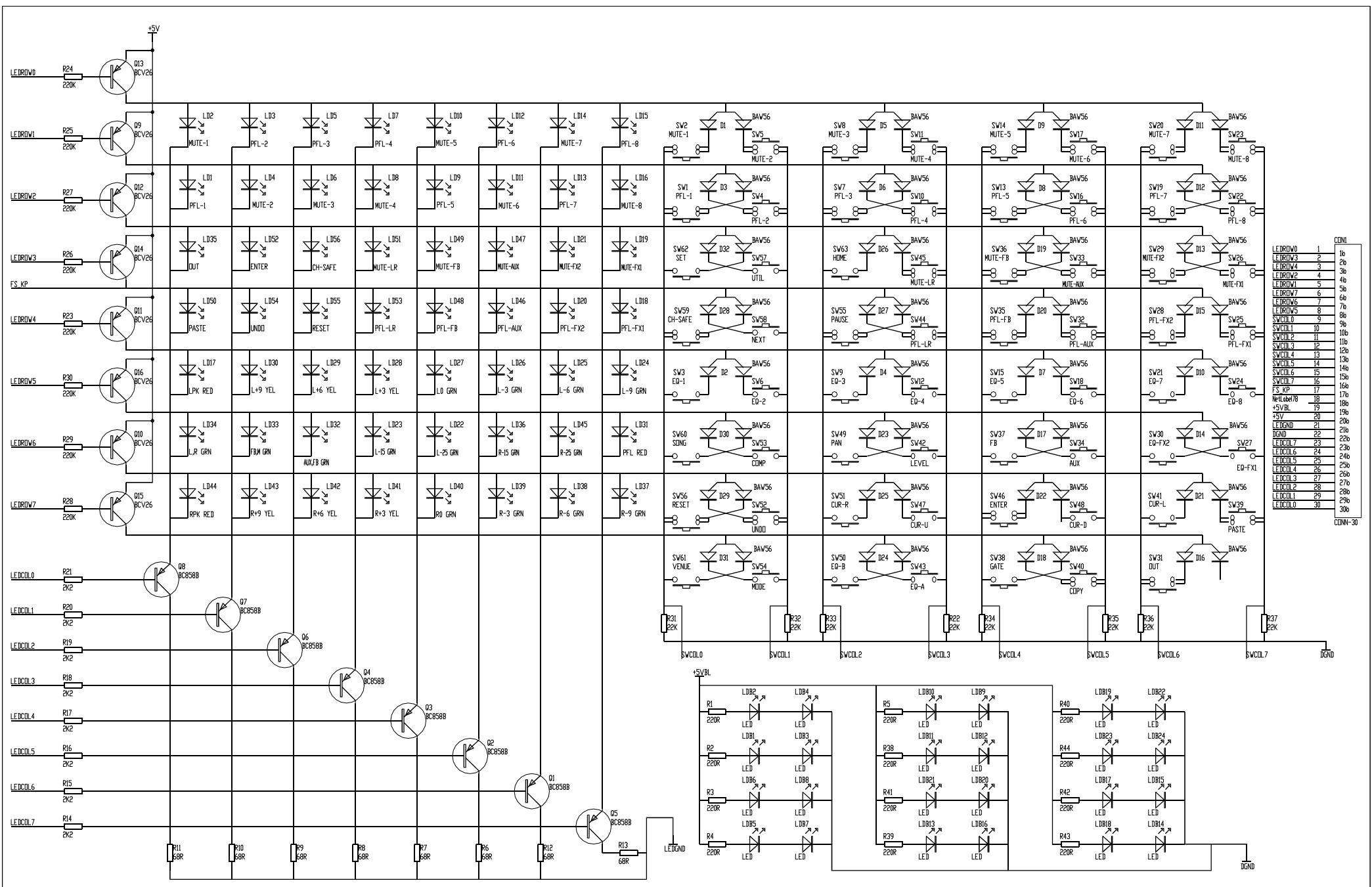


ISS.	REVISION	BY	DATE	NOTES	UNIT TITLE	ALLEN & HEATH	
A	ORIGIN	DRP	30-1-98	1. RESISTORS MARKED * ARE 1% ALL OTHERS ARE 5% 1/4W UNLESS OTHERWISE MARKED 2. ELECTROLYTIC CAPACITORS ARE 7V/VOLTS	DL1	KERNICK INDUSTRIAL ESTATE	
B	EARTH/SIGNAL NAME CHANGES	DRP	27-3-98		DRAWING TITLE	PENRYN	
1	PRODUCTION	DRP	17-8-98		CIRCUIT DIAGRAM	CORNWALL	
					FADER PCB	ENGLAND TR10 9LU	
					AG3279	ALLEN & HEATH A DIVISION OF HARMAN INTERNATIONAL INDUSTRIES LIMITED	
						DRAWING No.	C3279
						ISSUE	1
							A3

DL1 BACKLIT KEYPAD
LKEYS_2301



ISSUE	BY	DATE					TITLE:	DL1 KEYPAD PCB				
A										Allen & Heath Kennick Industrial Estate, Penryn, Cornwall, England. TR10 9LU Tel: (44) (0) 1326 372070 Fax: (44) (0) 1326 365736		
B	A.A.T.	8 JUNE 1997										
C	A.SCDTT	7 JULY 1998										
1	A.A.T.	16 SEPT 1998					PAGE:	TOP LEVEL				
2	A.A.T.	30 NOV 1998										
FILE: E:\DXF\Bob\dlkeypad\dlkeys.dib - Documents\Llkeys_2.prj			105808	29-Sep-2000	DISK:	NO:	AG3278	ISSUE:	ISS 2	SHEET	1 OF 2	A3



ISSUE	BY	DATE
A		
B	A.A.T.	8 JUNE 1997
C	M. SCOTT	7 JULY 1998
1	A.A.T.	16 SEPT 1998
2	A.A.T.	30 NOV 1998

FILE: E:\DXF\Bob\allkeypad\dl1keys.dib - Documents\LIKEYS_2SCH

105923 29-Sep-2000 DISK

TITLE: DL1 KEYPAD PCB

PAGE:

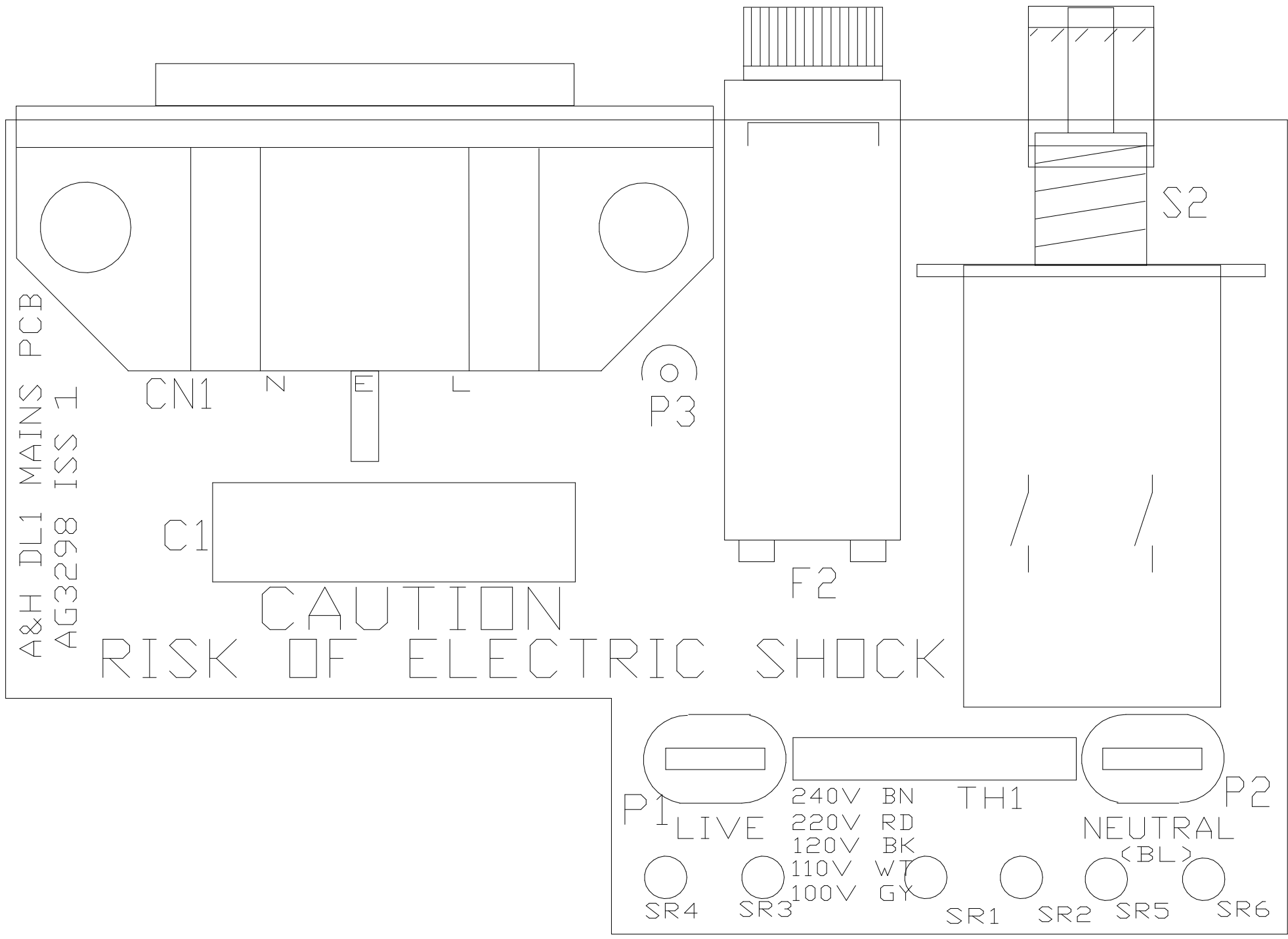
NO: AG 3278

ISSUE: ISS 2

SHEET 2 OF 2

A3

Allen & Heath
 Kennick Industrial Estate,
 Penryn, Cornwall,
 England.
 TR10 9LU
 Tel: (44) (0) 1326 372070
 Fax: (44) (0) 1326 365736



A&H DL1 MAINS PCB
AG3298 ISS 1

CN1

N

E

L

P3

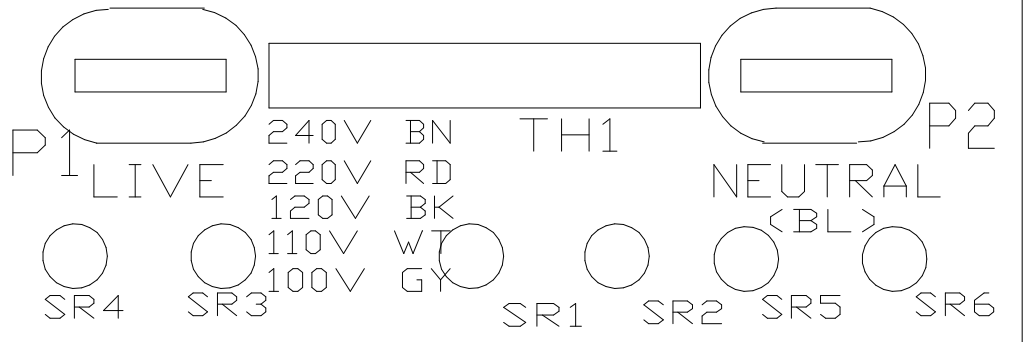
C1

F2

S2

CAUTION

RISK OF ELECTRIC SHOCK



P1

LIVE

240V BN
220V RD
120V BK
110V WT
100V GY

TH1

NEUTRAL
(BL)

P2

SR4

SR3

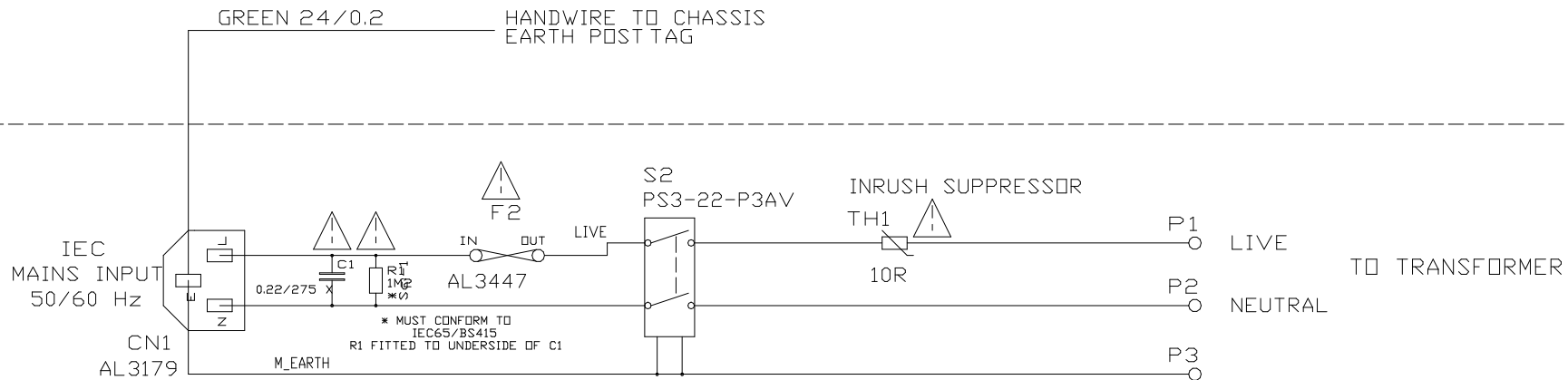
SR1

SR2

SR5

SR6

LIVE



F1 RATING (5 x 20)

240V	T5A
220V	T5A
120V	T10A
110V	T10A
100V	T10A

TRANSFORMER WIRE COLOURS (AM3084)

LIVE

240V	BROWN
220V	RED
120V	BLACK
110V	WHITE
100V	GREY

NEUTRAL

0V BLUE

ISS.	REVISION	BY DATE	NOTES	UNIT TITLE	MANUFACTURED IN ENGLAND BY
A	ORIGIN	DRP 5-2-98	1. RESISTORS MARKED * ARE 1% ALL OTHERS ARE 5% 1/4W UNLESS OTHERWISE MARKED	DL1	ALLEN & HEATH
B	FUSE & SWITCH CHANGED	DRP 18-6-98		2. ELECTROLYTIC CAPACITORS ARE ?F/VOLTS	
1	PRODUCTION	AAT 11-08-98			DRAWING No. C3298
2	R1 ADDED	AAT 24-05-99			ISSUE 2
					A3