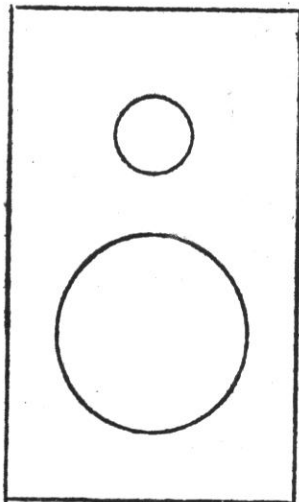


MODULAR MIXER - Rear socket layout on modules.

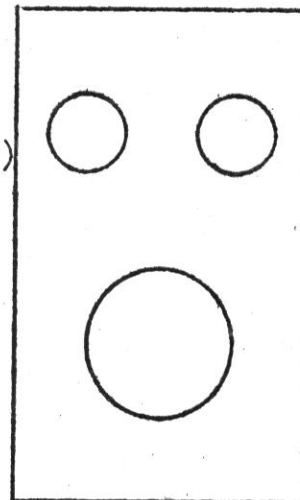
Input



Line input  
(SP jack)

Mic. Input  
(Female XLR)

Output

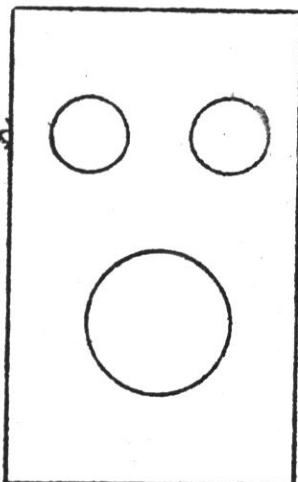


Tape  
Return  
(SP jack)

Echo  
Return  
(SP jack)

Output  
(Male XLR)

Echo/Cue/Regulator.

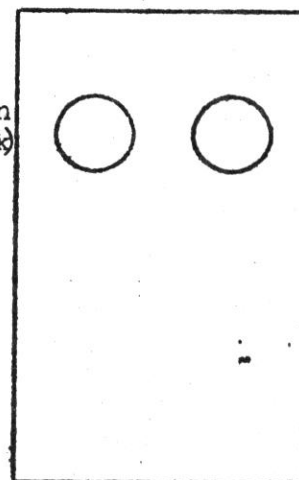


Cue  
(SP jack)

Echo  
(SP jack)

21V Supply  
+ to L  
- to N  
(Bulgin 3 pin)

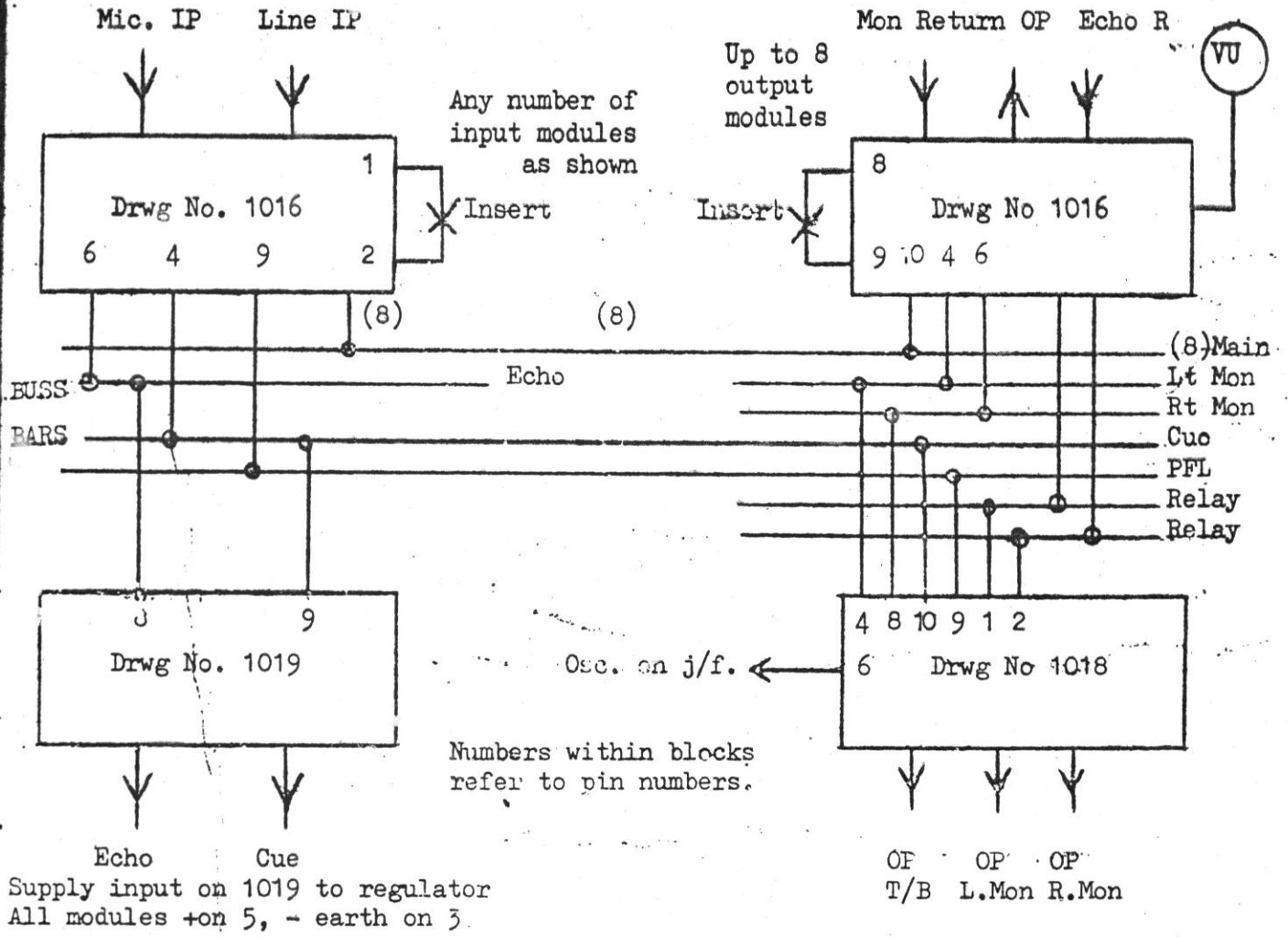
Mon/TB/Osc.



Lt. & Rt Mon  
(Stereo jack)

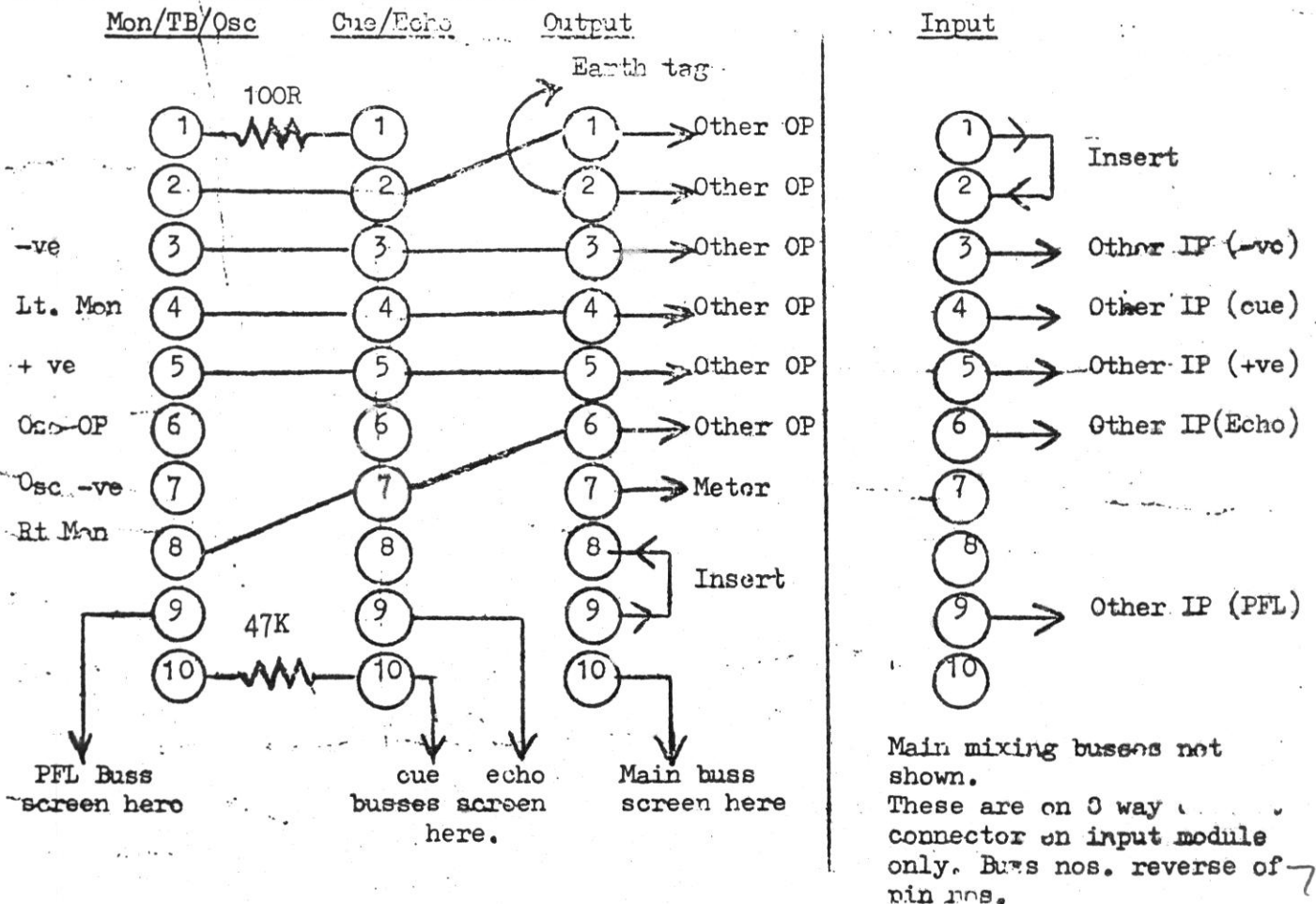
T/B  
(SP jack)

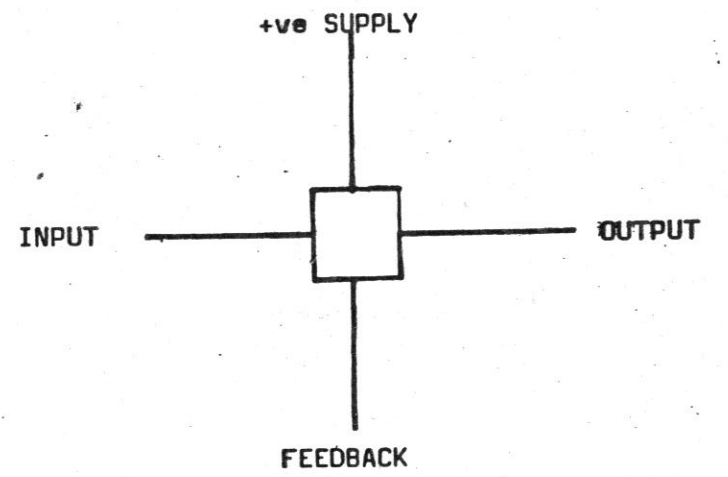
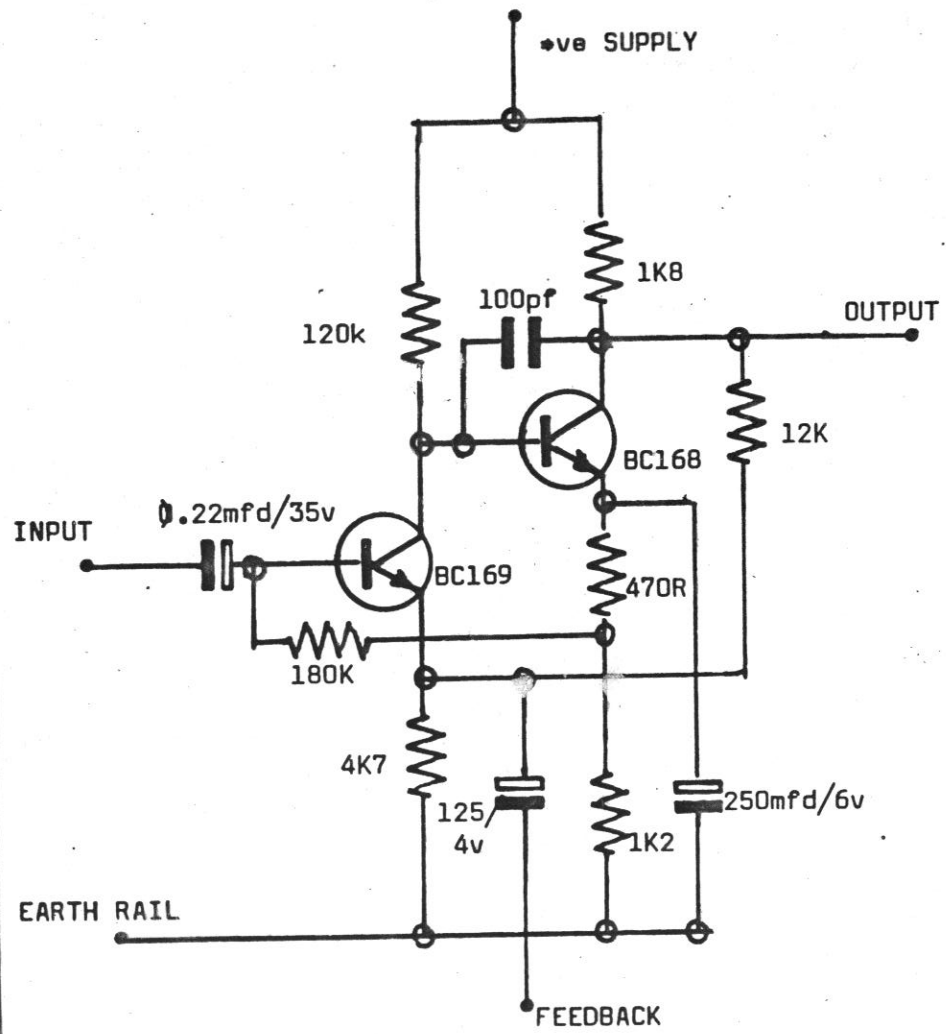
**MODULAR MIXER BLOCK LAYOUT.**



**STANDARD CONNECTIONS ON MODULAR MIXER.**

Viewed from rear of mixer.





In all drawings the MA1 circuit is represented by the square shown above, with four connections always in the same sense. EARTH connection not shown.

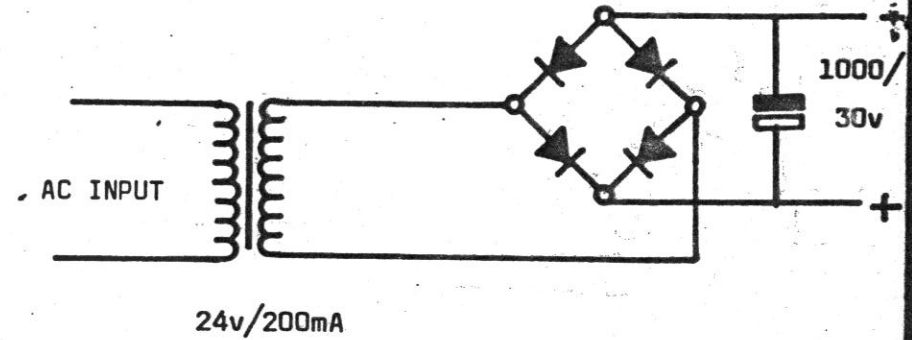
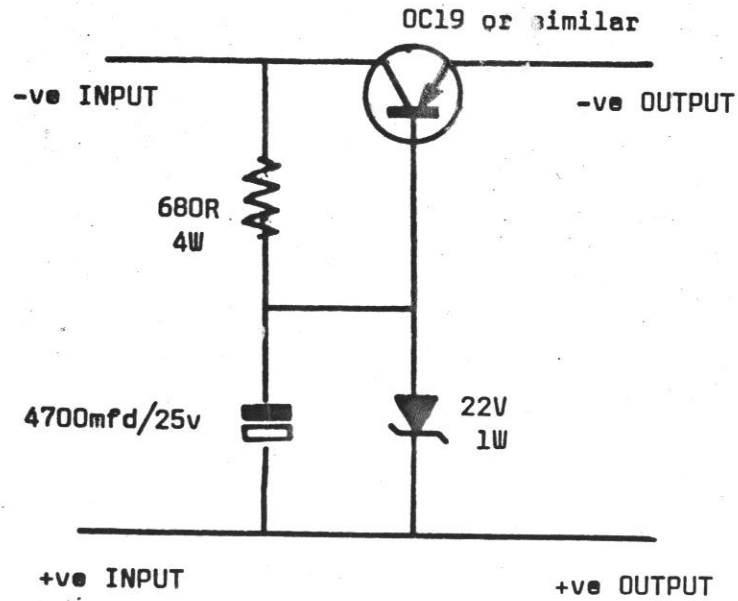
# Allen and Heath Limited.

Pembroke House, Campsbourne Road.  
London. N8, 7BR. Tel: 01-340-3291.

MICROPHONE AMPLIFIER MA1

Drwg. No.; 1001

NOTE For constant current supply eg miniature mixer  
 replace 680R with 1k2 and zener with 5k6 resistors  
 Supply with transformer 240v/24v,200mA will provide  
 20v on output



NOTE For use with NPN Transistors reverse zener,  
 capacitor and polarity of supply voltage

**Allen and Heath Limited.**

Pembroke House, Campsbourne Road.  
 London. N8, 7BR. Tel: 01-340-3291.

VOLTAGE REGULATOR

Drawg No. 1002

*A. J. Baya*  
 4. 8. 73