

ALLEN & HEATH



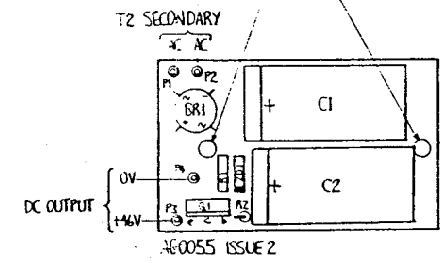
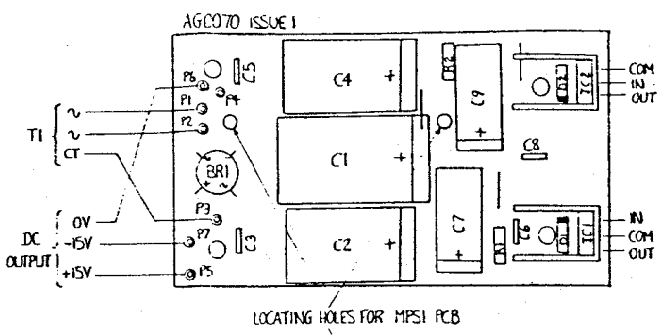
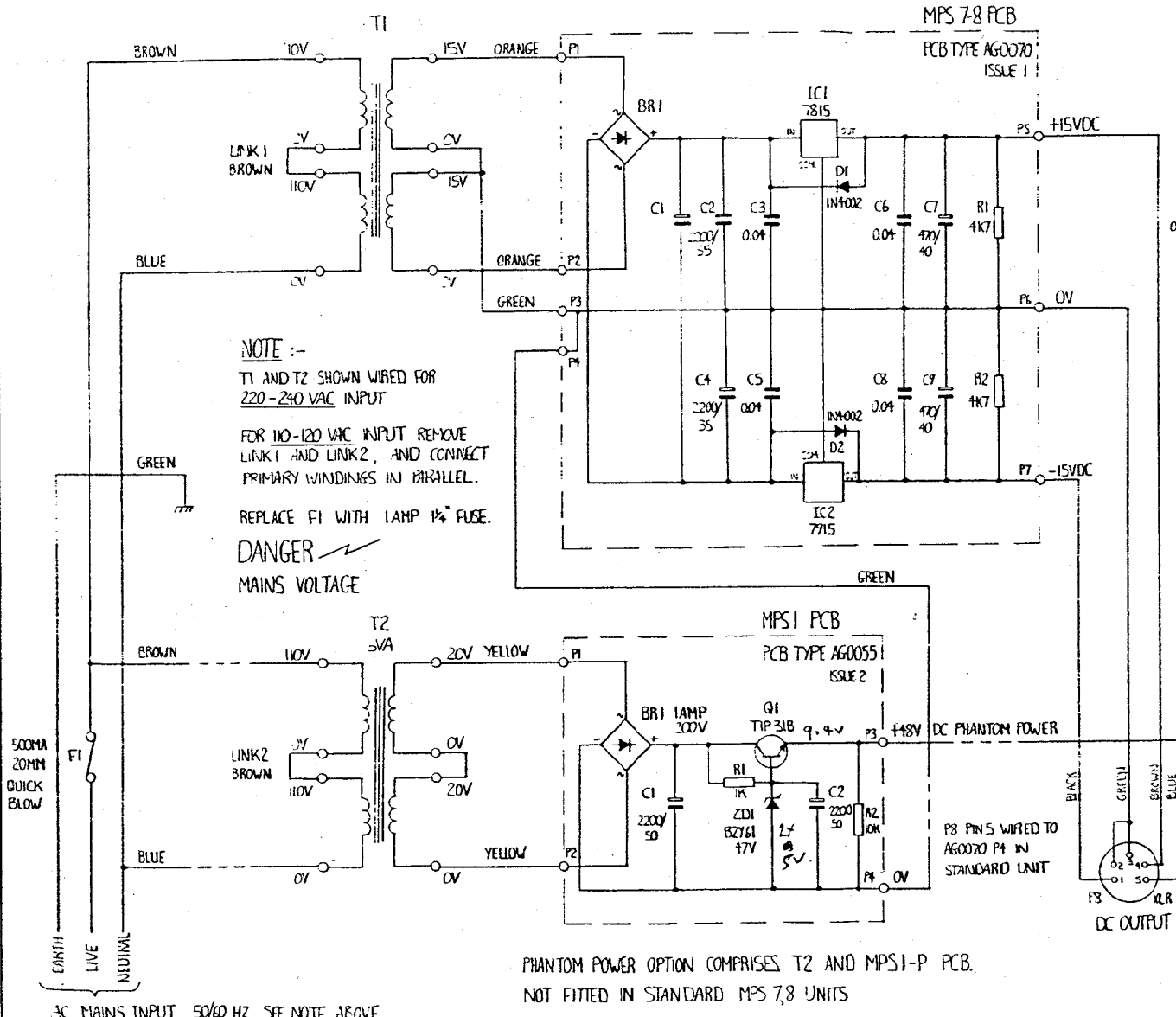
WARNING – HIGH VOLTAGES

Power Supply Unit (PSU) work should only be carried out by qualified personnel.

We recommend that you use an approved Allen & Heath service centre for all power supply work.

Please contact your local Allen & Heath distributor for more details.

<http://www.allen-heath.com/>



VARIATIONS :-

		AG0070 iss1		
		T1	BR1	C1
1	MPS 7	±15VDC 500MA	20 VA	1AMP 2200F 200V 50V
2	MPS 7P	" " WITH PHANTOM PWR.		
3	MPS 8	±15VDC 1AMP	50VA	2AMP 2200F 300V 50V
4	MPS8P	" " WITH PHANTOM PWR.		
5	MPS-P	+48VDC 50MA	AVAILABLE IN KIT FORM FOR RETROFIT TO STANDARD UNITS	

ISSUE 3	CP	5-11-82		
ISSUE 2	CP	1-10-82		
No.	DESCRIPTION	CHKD	APPD	DATE
REVISIONS				

AHB MPS7, MPS8 CIRCUITS AND GENERAL ARRANGEMENT INCLUDING PHANTOM POWER OPTION

DRAWN	TRACED	CHECKED	APPROVED	DATE	SCALE
CP			AB	9-9-82	

DRAWING No. 283 ISSUE 3