

ALLEN & HEATH



WARNING – HIGH VOLTAGES

Power Supply Unit (PSU) work should only be carried out by qualified personnel.

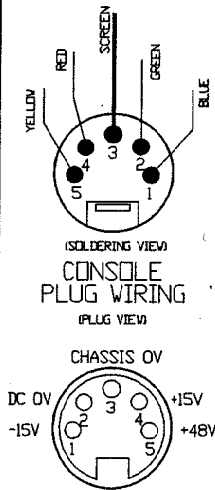
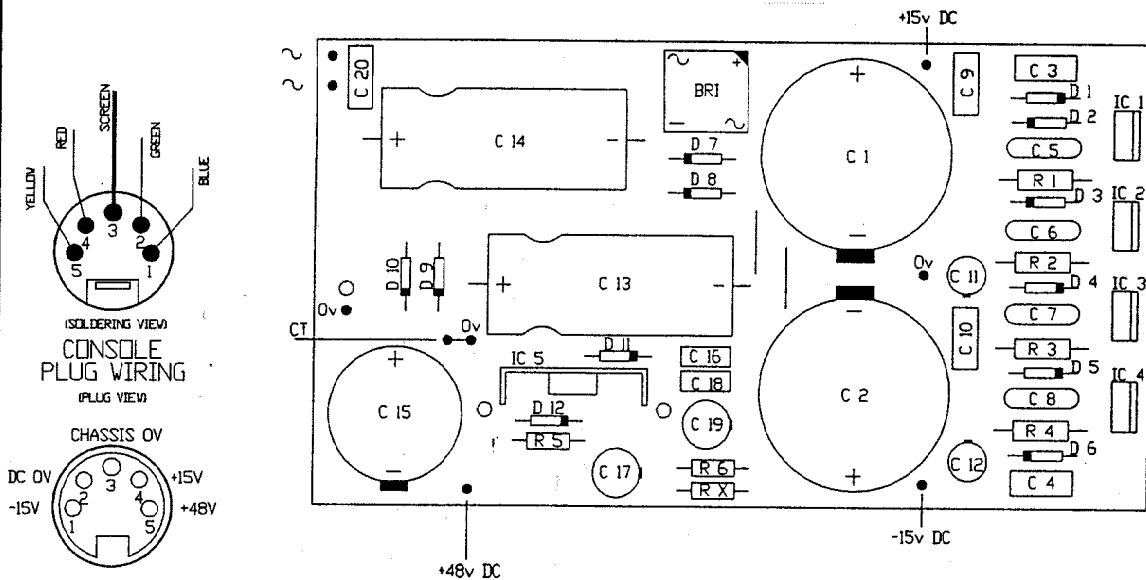
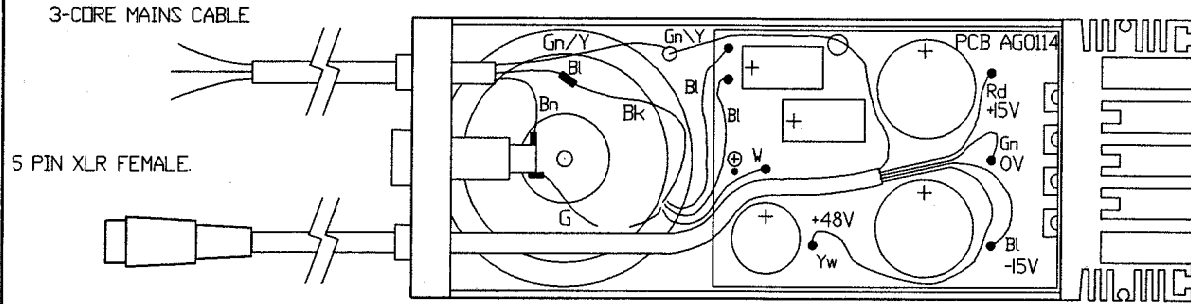
We recommend that you use an approved Allen & Heath service centre for all power supply work.

Please contact your local Allen & Heath distributor for more details.

<http://www.allen-heath.com/>

DANGER - HIGH VOLTAGE !

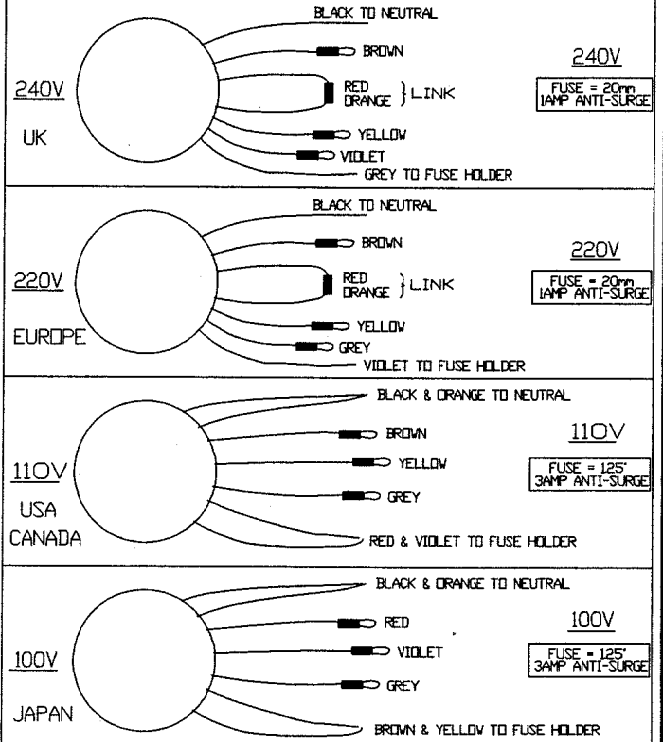
DISCONNECT POWER BEFORE REMOVING COVER



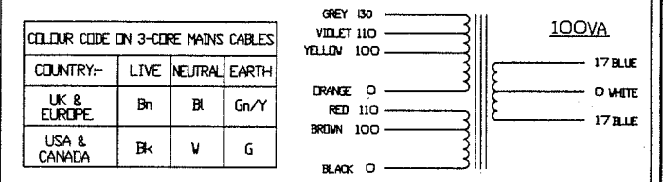
MPS9G TRANSFORMER - MAINS WIRING

CAREFULLY CHECK CORRECT MAINS SELECTION / WIRING

—○— = SLEEVED & UNCONNECTED



TYPE 2053T



ISSUE	REVISION	BY	DATE
1	ORIGIN	AL/CD	29-9-92

DRAWING TITLE
MPS9G POWER SUPPLY

ASSY CODE
ZS700-012

ALLEN & HEATH
ALLEN & HEATH BRENNELL LTD.

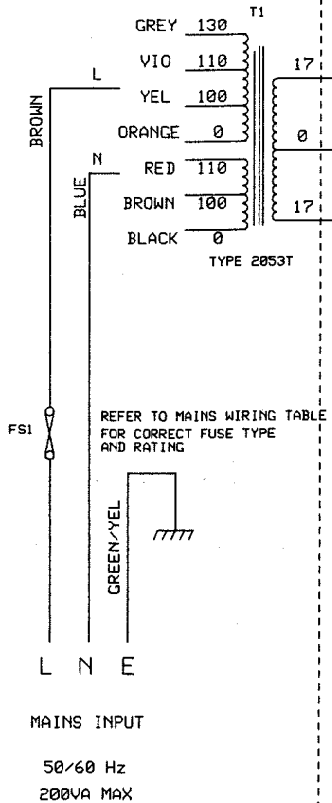
DRAWING No. D196 ISSUE 1

DANGER - HIGH VOLTAGE !

DISCONNECT POWER BEFORE REMOVING COVER
REFER SERVICE WORK TO QUALIFIED SERVICE PERSONNEL ONLY

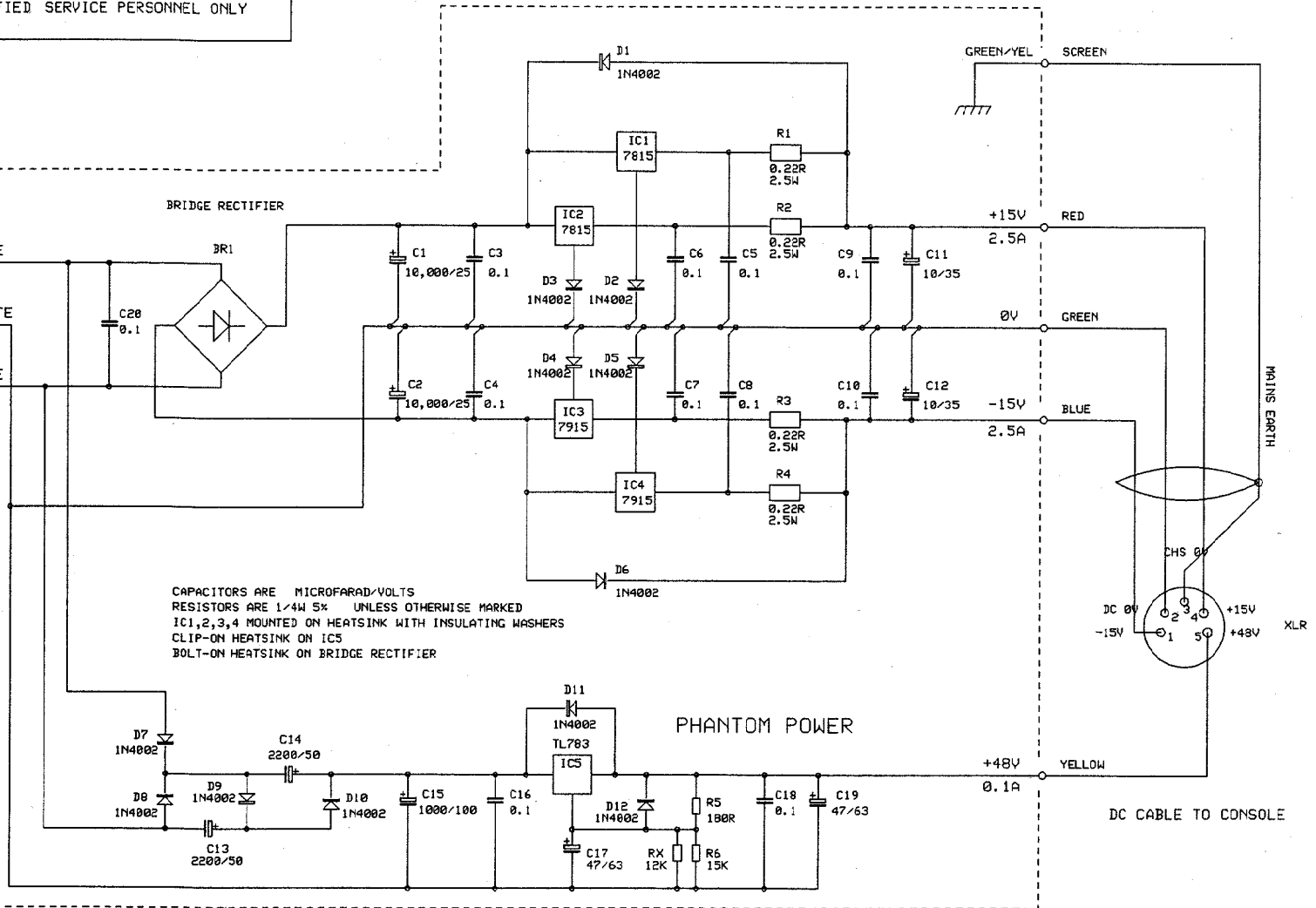
MAINS TRANSFORMER

REFER TO MAINS WIRING TABLE



BRIDGE RECTIFIER

CAPACITORS ARE MICROFARAD/VOLTS
RESISTORS ARE 1/4W 5% UNLESS OTHERWISE MARKED
IC1,2,3,4 MOUNTED ON HEATSINK WITH INSULATING WASHERS
CLIP-ON HEATSINK ON IC5
BOLT-ON HEATSINK ON BRIDGE RECTIFIER



PCB TYPE AG0114 ISSUE 4

ISS.	REVISION	BY	DATE	UNIT TITLE	MANUFACTURED IN ENGLAND BY
1	REDRAWN FROM MBD122 ISS.5	CD	29-9-92	MPS9G POWER SUPPLY CIRCUIT DIAGRAM	ALLEN & HEATH
POWER SUPPLY UNIT				DRAWING TITLE	DRAWING No. D197 ISSUE 1