

ALLEN & HEATH



WARNING – HIGH VOLTAGES

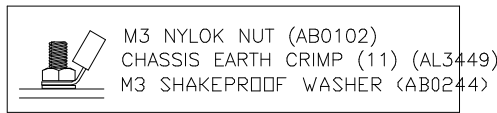
Power Supply Unit (PSU) work should only be carried out by qualified personnel.

We recommend that you use an approved Allen & Heath service centre for all power supply work.

Please contact your local Allen & Heath distributor for more details.

<http://www.allen-heath.com/>

CHASSIS EARTH ARRANGEMENT

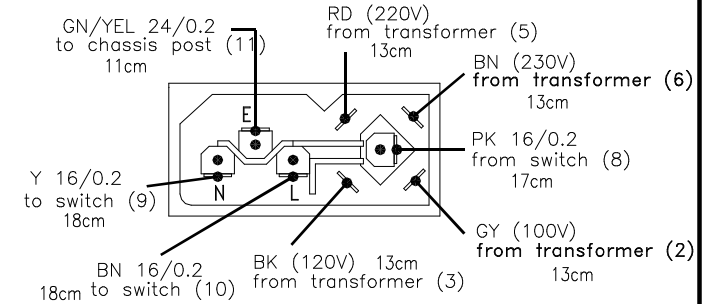


RECTIFIER FIXED TO HEAT SINK BRACKET WITH M3x16mm SCREW (AB0079) & M3 NUT LOCK (AB0102)

REGULATORS FIXED TO HEAT SINK BRACKET WITH M3x12mm PAN POZI SCREW (AB0078) M3 NUT LOCK (AB0102) & INSULATING KIT (AA0693)

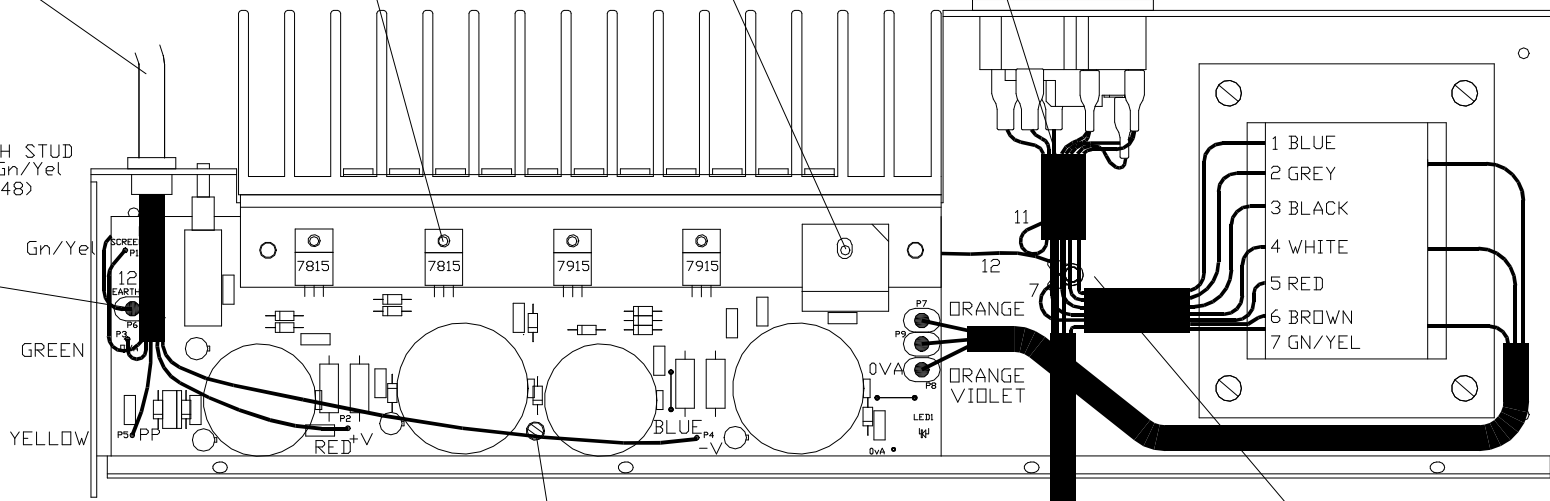
DC POWER CABLE REFER TO DRAWINGS: D283 & D207 FOR DETAIL

AC MAINS SOCKET WIRING (AL8105)



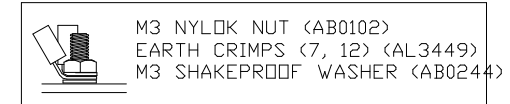
USE INSULATED CRIMPS (AL3068)

TO EARTH STUD 24/0.2 Gn/Yel (AH0348)



PCB MOUNTING SCREW M4x5mm (AB0261)

CHASSIS EARTH ARRANGEMENT



1/4" CRIMP RECEPTACLE INSULATED (AL0381)

ISSUE	REVISION	BY	DATE
1	ORIGIN	IMcB	19/1/96
2	WIRING CHANGES FOR NEW IEC INLET	IMcB	19/3/99

STANDARD NOTES
ALL DIMENSIONS IN mm
DO NOT SCALE DRAWING

NOTES

REFER TO DRAWING No: D283 FOR PCB WIRING AND COMPONENT LAYOUT.
REFER TO DRAWING No: D207 FOR POWER SUPPLY CIRCUIT DIAGRAM.

DRAWING TITLE

RPS9
POWER SUPPLY WIRING

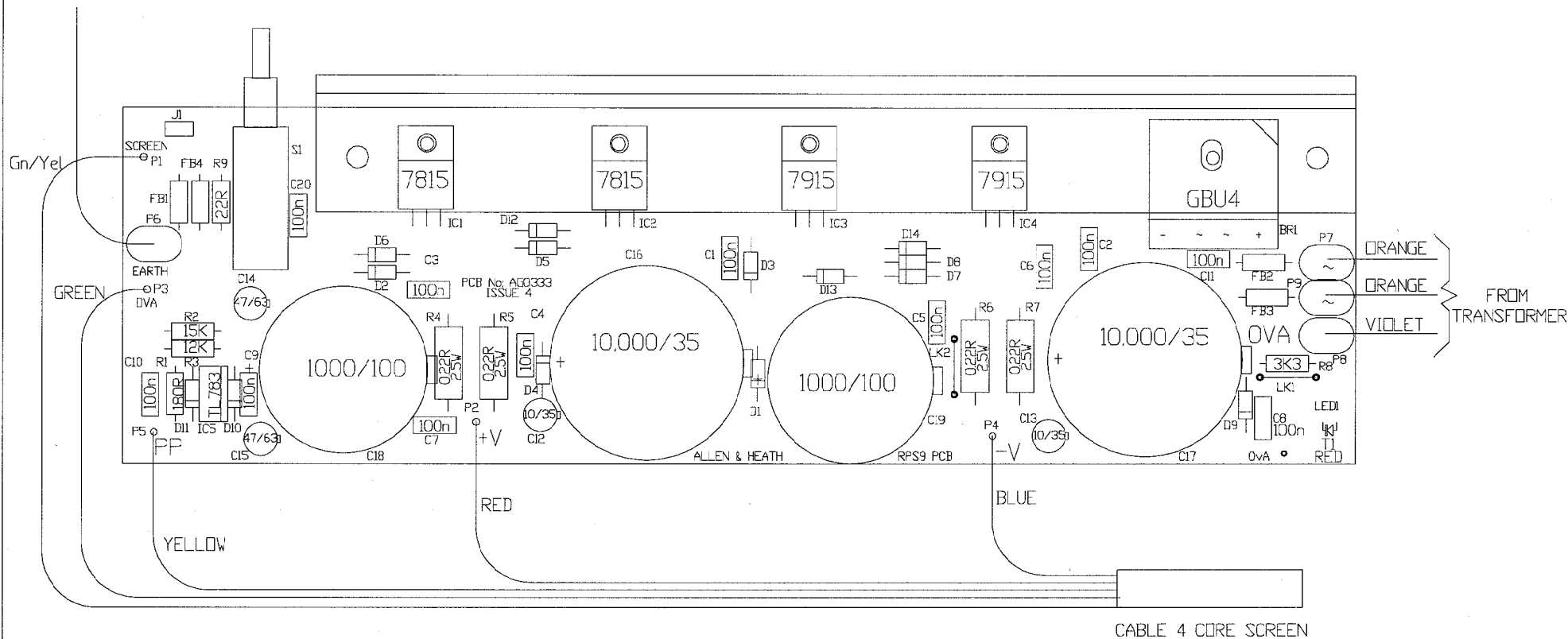
ASSEMBLY No:

000-826

ALLEN & HEATH
ALLEN & HEATH
KERNICK INDUSTRIAL ESTATE,
PENRYN, CORNWALL. TR10 9LU
TEL: 01326 372070
FAX: 01326 377097

DRAWING No: M000-826 ISSUE 2

TO EARTH STUD
24/02 Gn/Yel



RPS9 POWER SUPPLY PCB

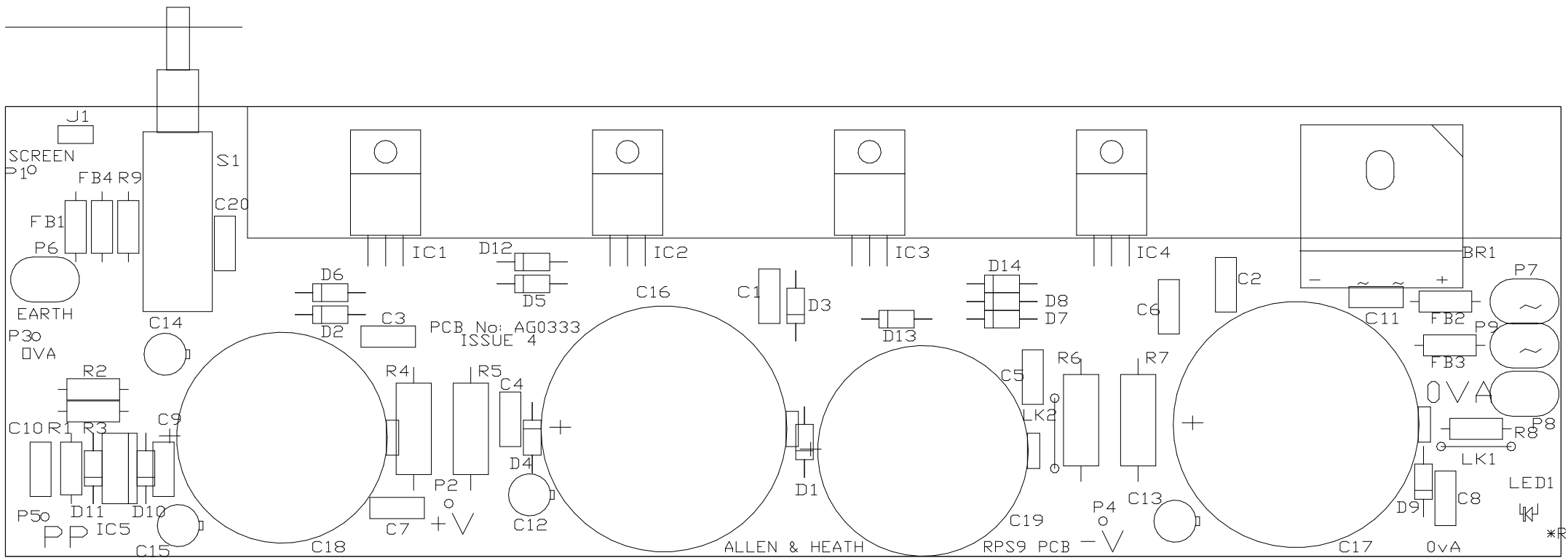
AG0333 ISSUE 4

ISSUE	REVISION	BY	DATE
A	ORIGIN	IMCB	17-2-94
1	PRODUCTION	IMCB	13-4-94
2	ALTERATIONS TO HEAT SINK BRACKET & PCB FIXINGS.	IMCB	7-6-94
3	PCB REISSUED. 0	IMCB	29-6-94

NOTES
 ALL DIODES ARE 1N4002
 ALL FERRITE BEADS AXIAL TYPE
 ALL LINKS ARE TC WIRE
 ALL RESISTORS ARE 5% 1/4W UNLESS OTHERWISE SPECIFIED.
 ELECTROLYTIC CAPACITORS ARE SPECIFIED IN uF/VOLTS.

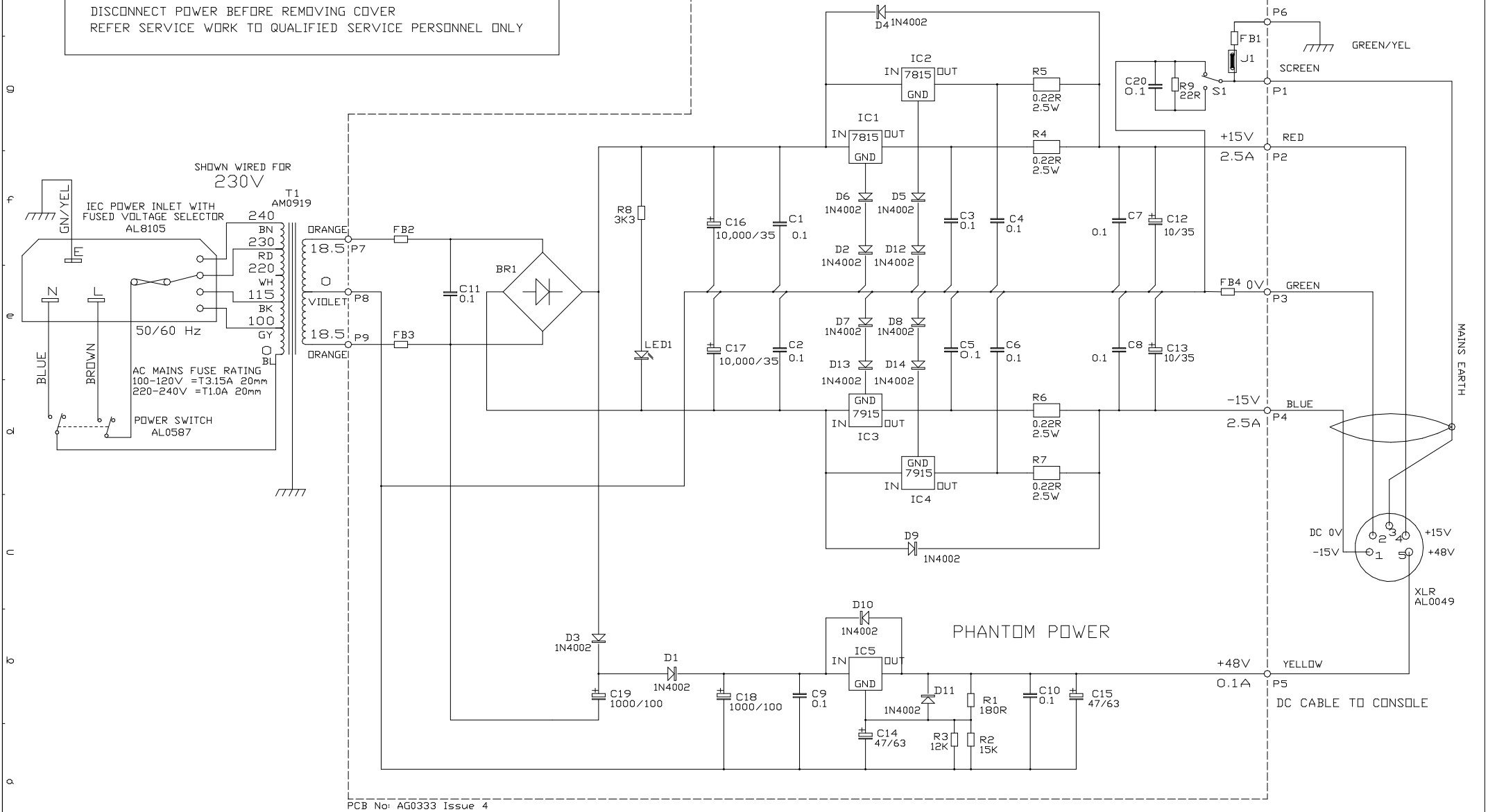
DRAWING TITLE
 RPS9 POWER SUPPLY
 PCB ASSEMBLY
 STOCK CODE
 000-327

ALLEN & HEATH
 ALLEN & HEATH LTD.
 KERNICK INDUSTRIAL ESTATE,
 PENRYN, CORNWALL TR10 9LJ.
 TEL. 0326 372070
 FAX. 0326 377097
 DRAWING No. D283 ISSUE 3



DANGER - HIGH VOLTAGE !

DISCONNECT POWER BEFORE REMOVING COVER
REFER SERVICE WORK TO QUALIFIED SERVICE PERSONNEL ONLY



PCB No: AG0333 Issue 4

ISS.	REVISION	BY	DATE	UNIT TITLE		MANUFACTURED IN ENGLAND BY	
P1	REDRAWN FROM D196	ISS.2	IMcB 19-1-93	RPS9 POWER SUPPLY.		ALLEN & HEATH	
P2	CIRCUIT MODS		IMcB 14-7-93				
P3	DIODES ADDED		IMcB 3-12-93	DRAWING TITLE		DRAWING No. D207 ISSUE 4	
1	PRODUCTION		IMcB 12-4-94				
2	ISSUE 4 PCB		IMcB 29-6-94				
3	MAINS SWITCH ADDED		IMcB 4-1-95				
4	MAINS INLET IEC CHANGED	DWD	22-3-99	CIRCUIT DIAGRAM			

CAPACITORS ARE MICROFARAD/VOLTS
RESISTORS ARE 1/4W 5% UNLESS OTHERWISE MARKED
IC1,2,3,4 MOUNTED ON HEATSINK WITH INSULATING WASHERS
CLIP-ON HEATSINK ON IC5
BRIDGE RECTIFIER BOLTED ONTO HEAT SINK BRACKET

DRAWING TITLE
CIRCUIT DIAGRAM