

ALLEN & HEATH



WARNING – HIGH VOLTAGES

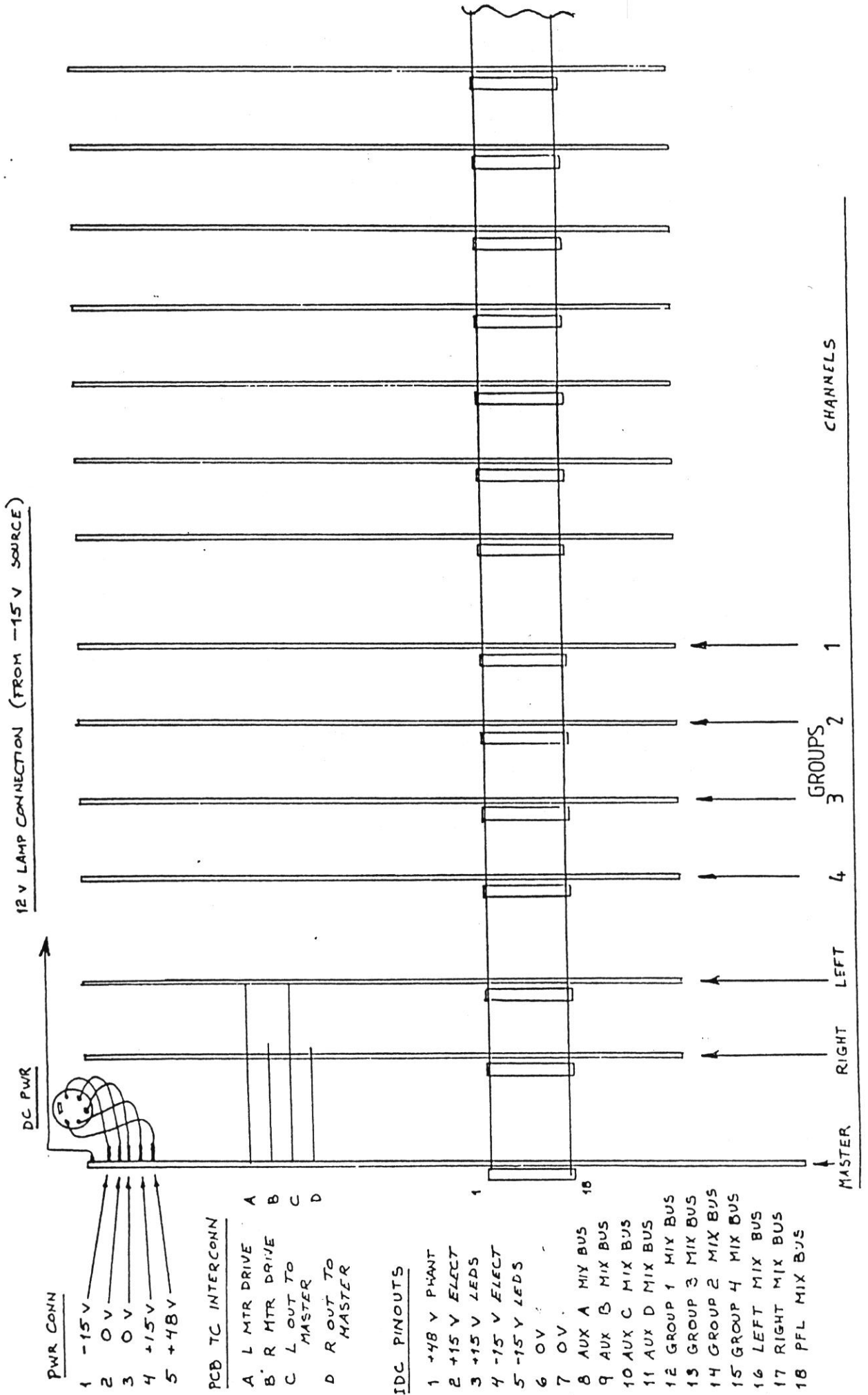
Power Supply Unit (PSU) work should only be carried out by qualified personnel.

We recommend that you use an approved Allen & Heath service centre for all power supply work.

Please contact your local Allen & Heath distributor for more details.

<http://www.allen-heath.com/>

UNDERSIDE VIEW OF CIRCUIT BOARD INTERCONNECTIONS



PWR CONN

- 1 -15V
- 2 0V
- 3 0V
- 4 +15V
- 5 +48V

PCB TC INTERCONN

- A L MTR DRIVE
- B R MTR DRIVE
- C L OUT TO MASTER
- D R OUT TO MASTER

IDC PINOUTS

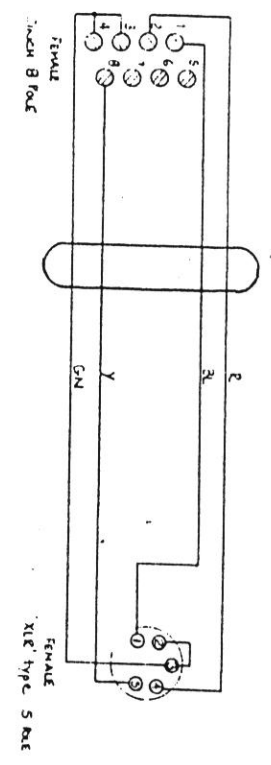
- 1 +48V PHANT
- 2 +15V ELECT
- 3 +15V LEADS
- 4 -15V ELECT
- 5 -15V LEADS
- 6 0V
- 7 0V
- 8 AUX A MIX BUS
- 9 AUX B MIX BUS
- 10 AUX C MIX BUS
- 11 AUX D MIX BUS
- 12 GROUP 1 MIX BUS
- 13 GROUP 3 MIX BUS
- 14 GROUP 2 MIX BUS
- 15 GROUP 4 MIX BUS
- 16 LEFT MIX BUS
- 17 RIGHT MIX BUS
- 18 PFL MIX BUS

GROUPS

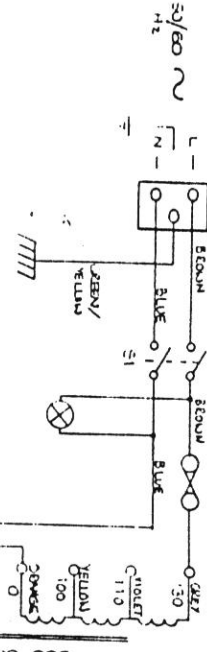
RIGHT LEFT

CHANNELS

MULTIPLE DC CORD

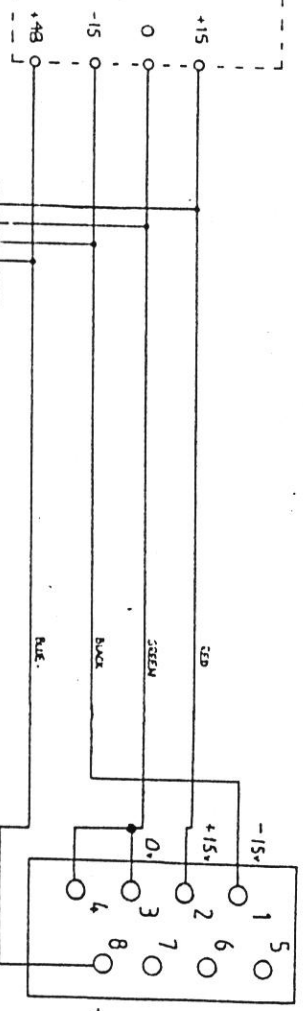
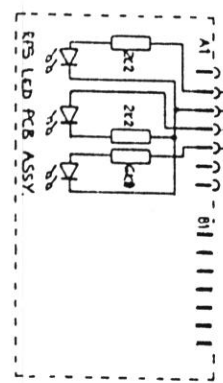
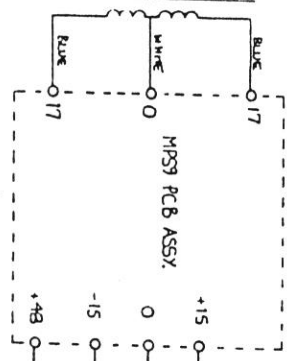


AC INPUT

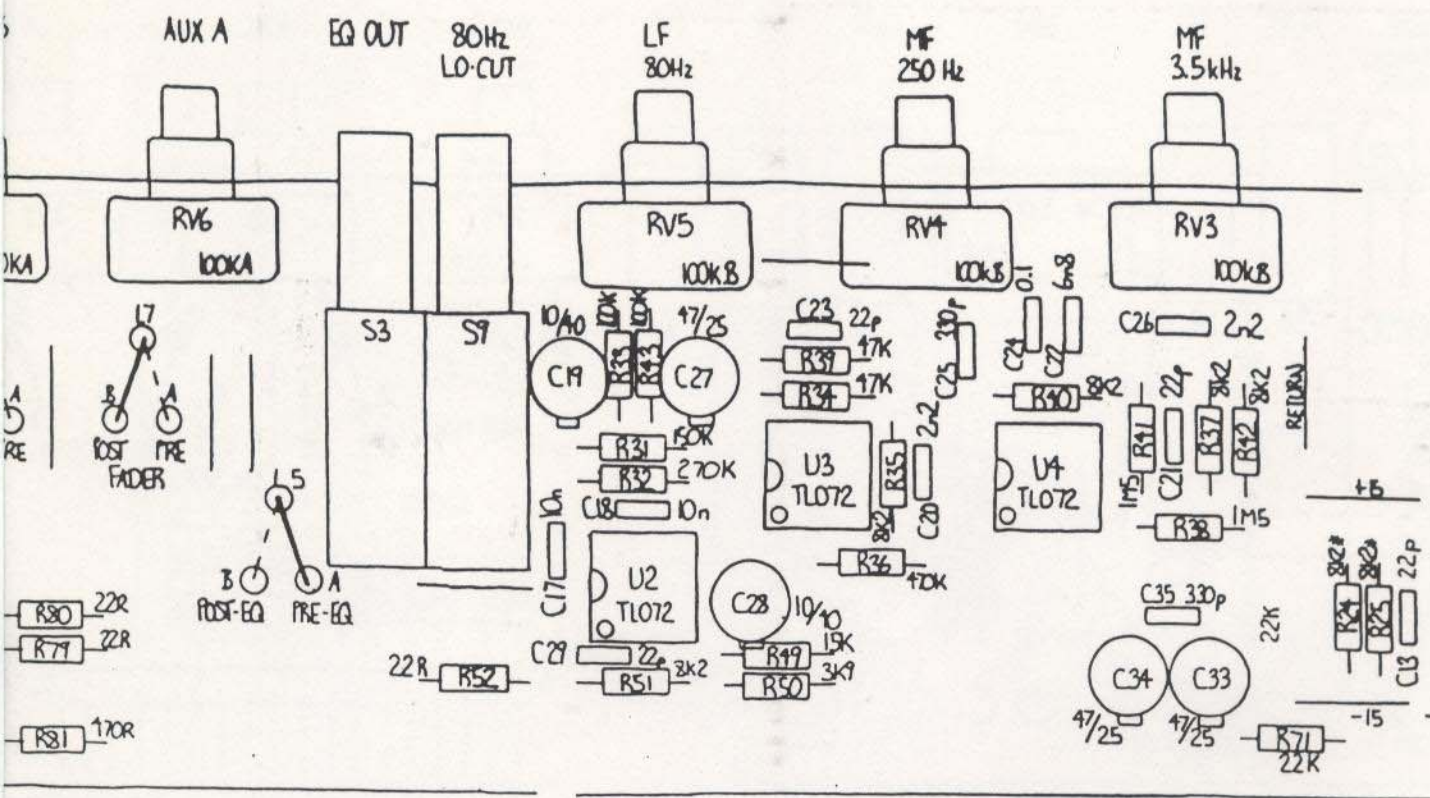


TRANSFORMER PRIMARY CONNECTIONS A111/3

INPUT	F1 RINGS	SI NEUTRAL	LINK	SOLATE
240	GREY	BLACK	ORANGE RED	VIOLET
220	VIOLET	BLACK	ORANGE-RED	GREY, YELLOW, BROWN
200	YELLOW	BLACK	ORANGE-RED	GREY, VIOLET, GRN
110	VIOLET + RED	ORANGE + BLACK	ORANGE + BROWN	GREY, YELLOW, BROWN
100	YELLOW + BROWN	ORANGE + BLACK	-	GRN, VIOLET, RED

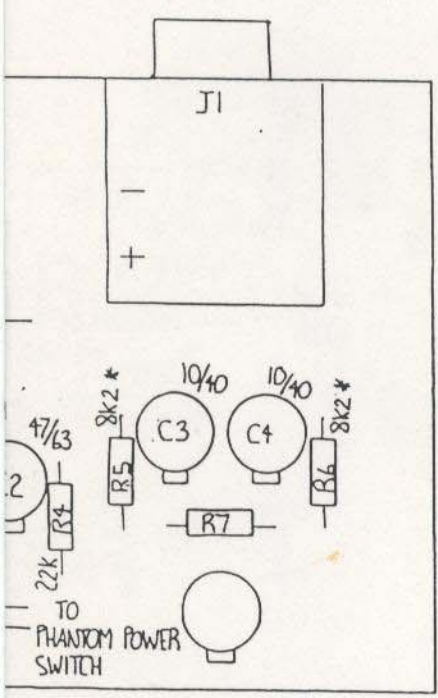


STANDARD NOTES	MATERIAL	TOLERANCES	FINISH	NOTES	UNIT TITLE
ALL DIMENSIONS IN MILLIMETERS DO NOT SCALE DIMENSIONS THIRD ANGLE PROJECTION RESERVE ALL RIGHTS & SERVICE TRADE MARKS		GENERAL HOLE CENTRES HOLE SIZES	NO. 25 FINISH NO. 15 FINISH NO. 10 FINISH		AH : RACK POWER SUPPLY Model RPS1 CIRCUIT DIAGRAM
UNLESS STATED OTHERWISE					

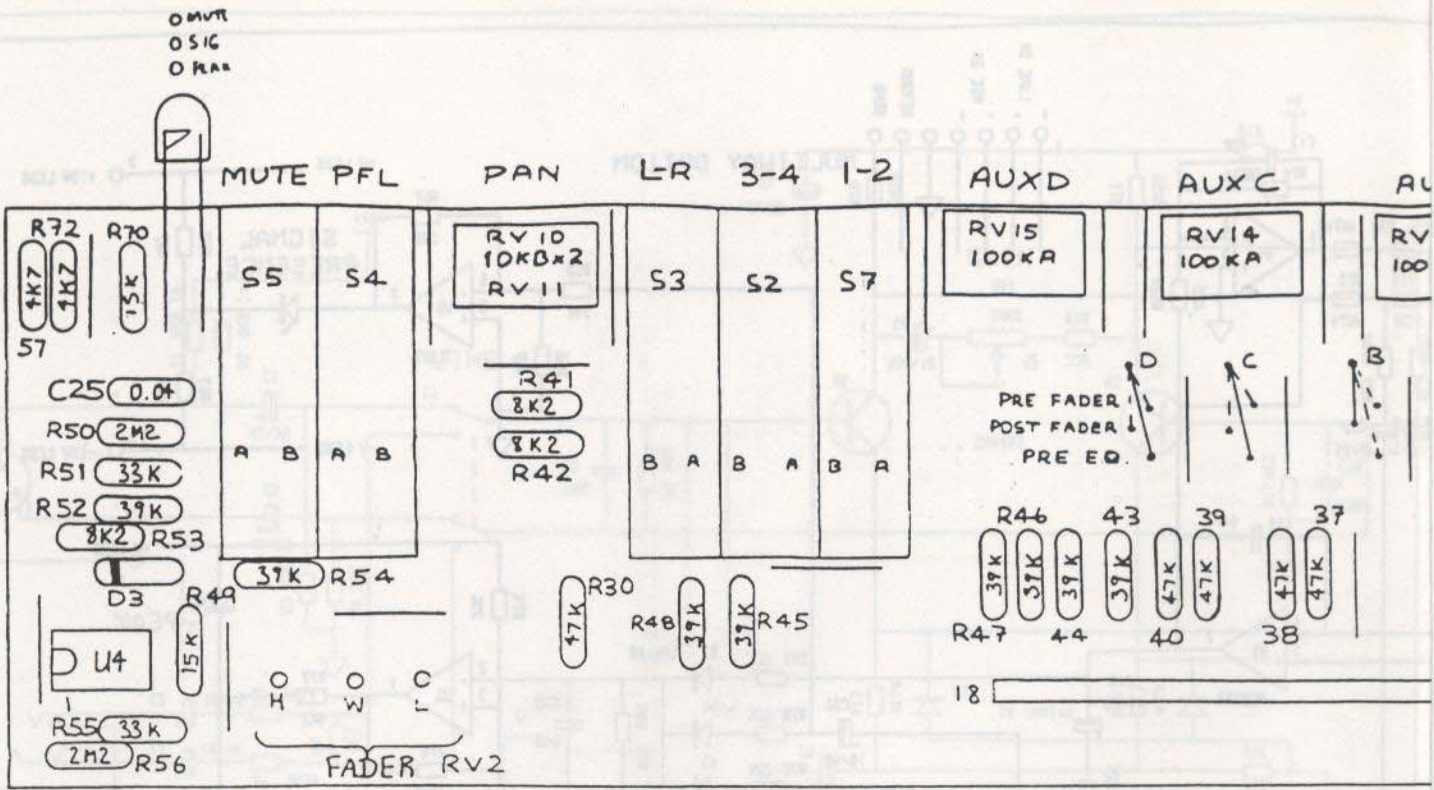


L5 TO L10: AUX LINK OPTIONS

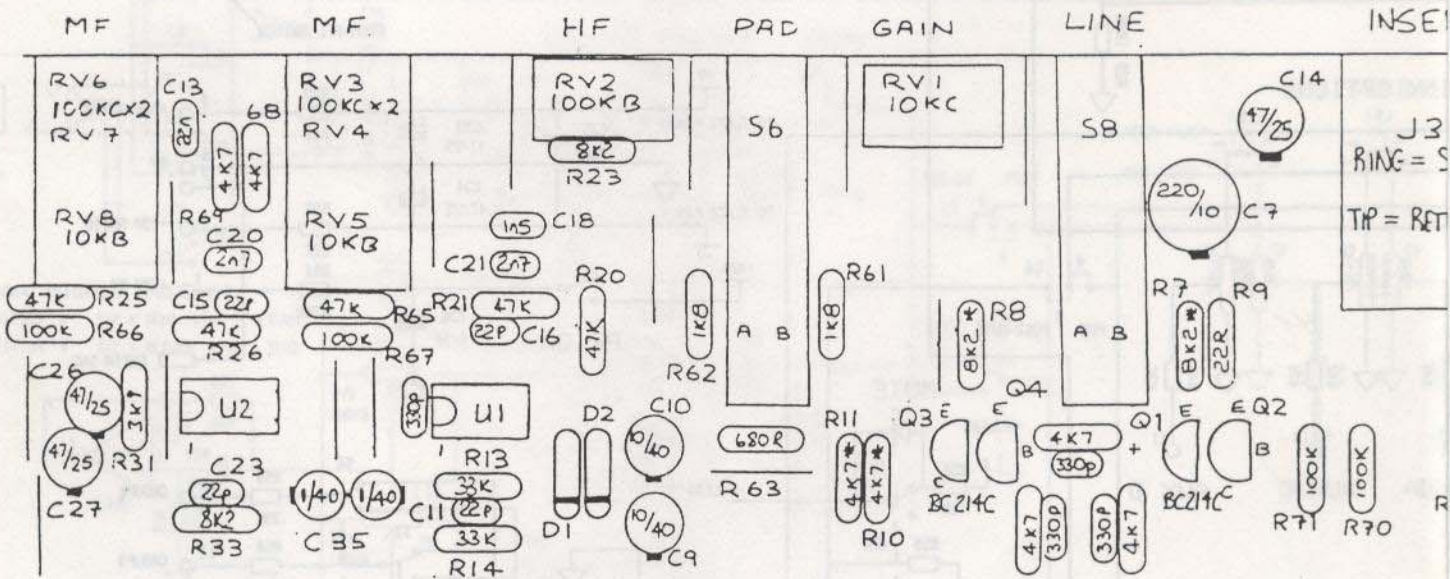
LINE IN



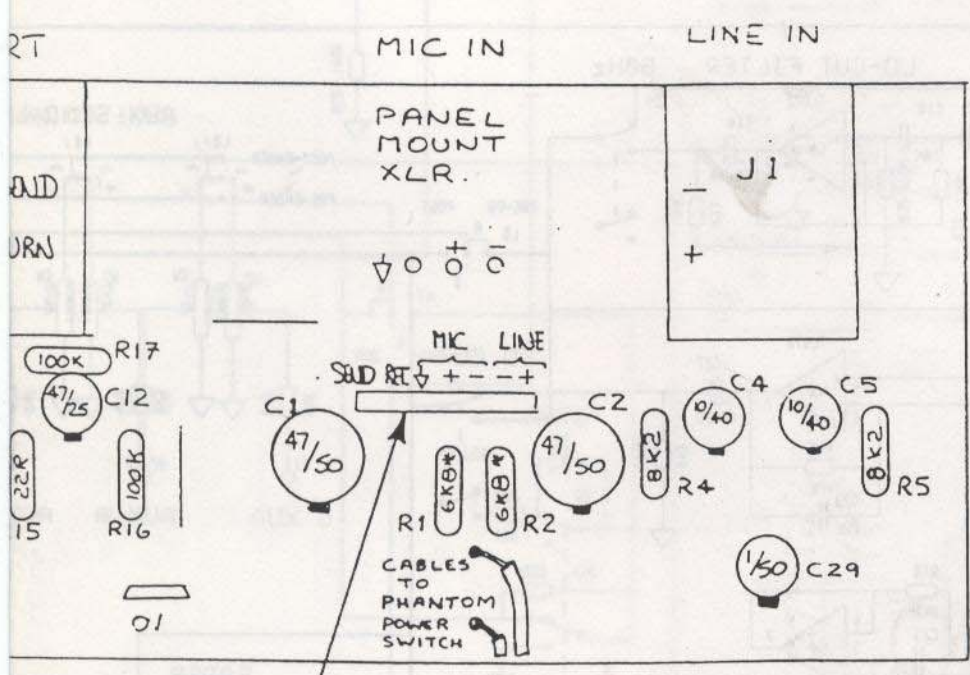
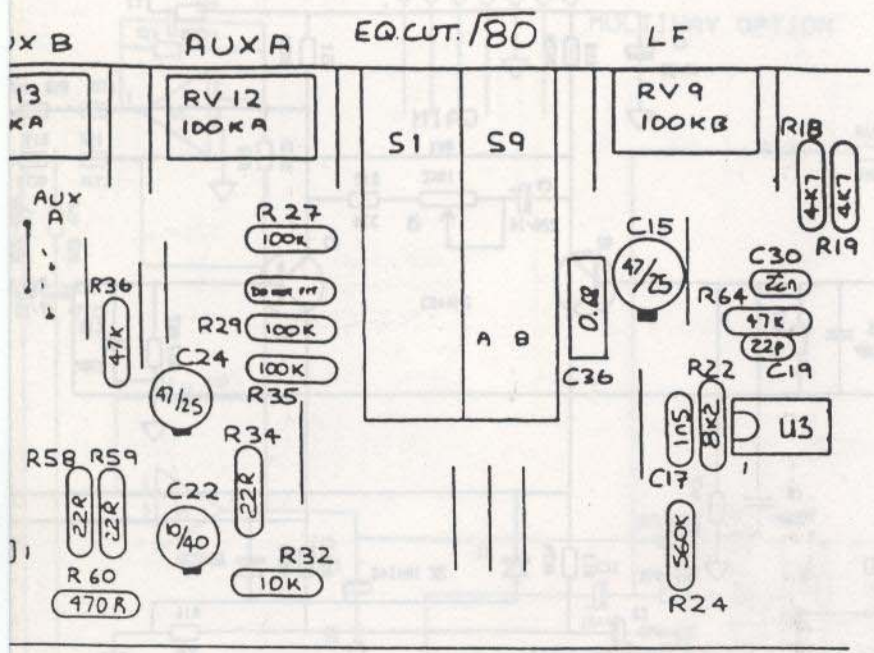
SHOWN SET FOR TIP - RETURN
RING - SEND



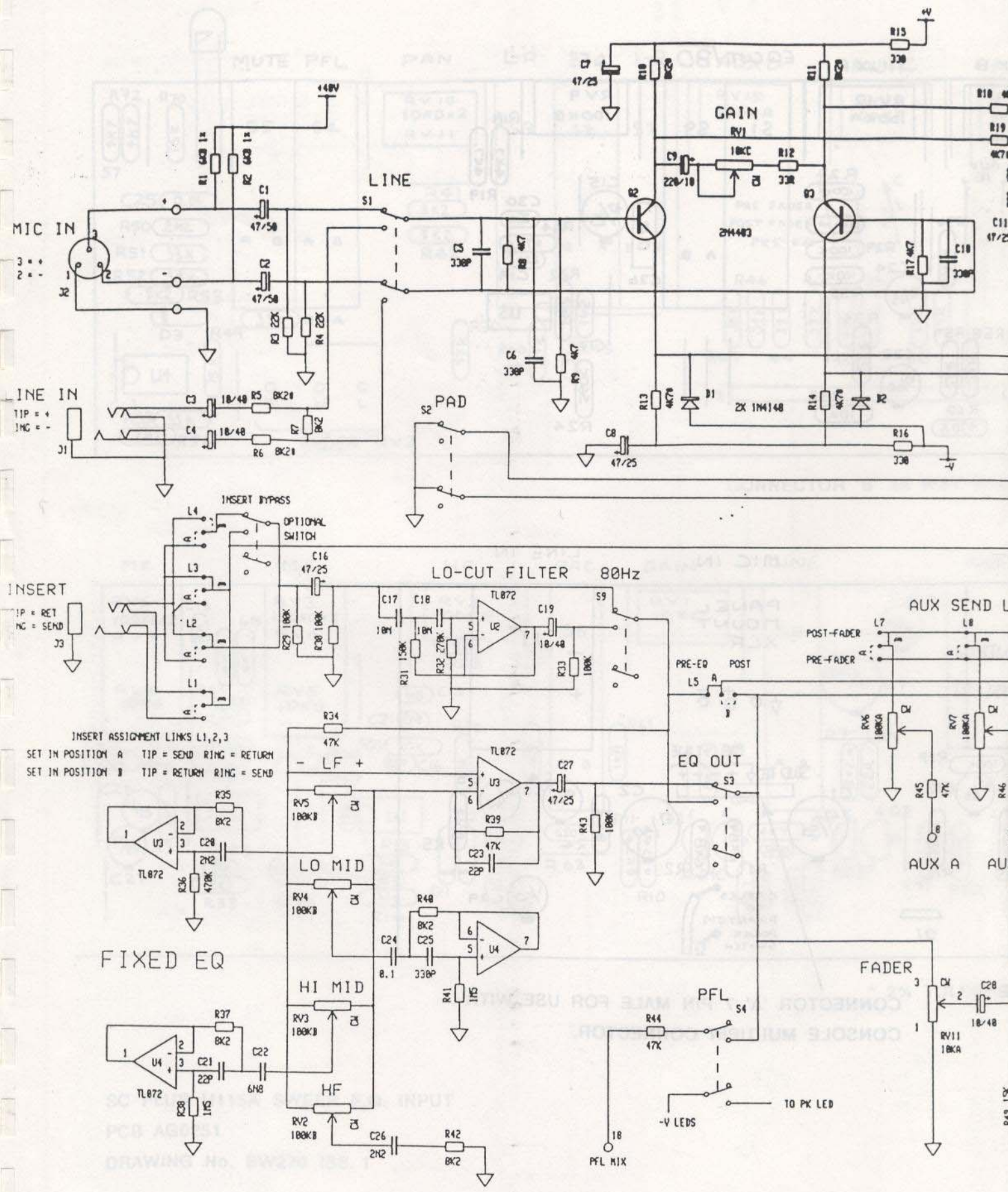
CONNECTOR 'B' 18 WAY MALE



SC PLUS M115A SWEEP E.Q. INPUT
PCB AG0251
DRAWING No. BW270 ISS. 1



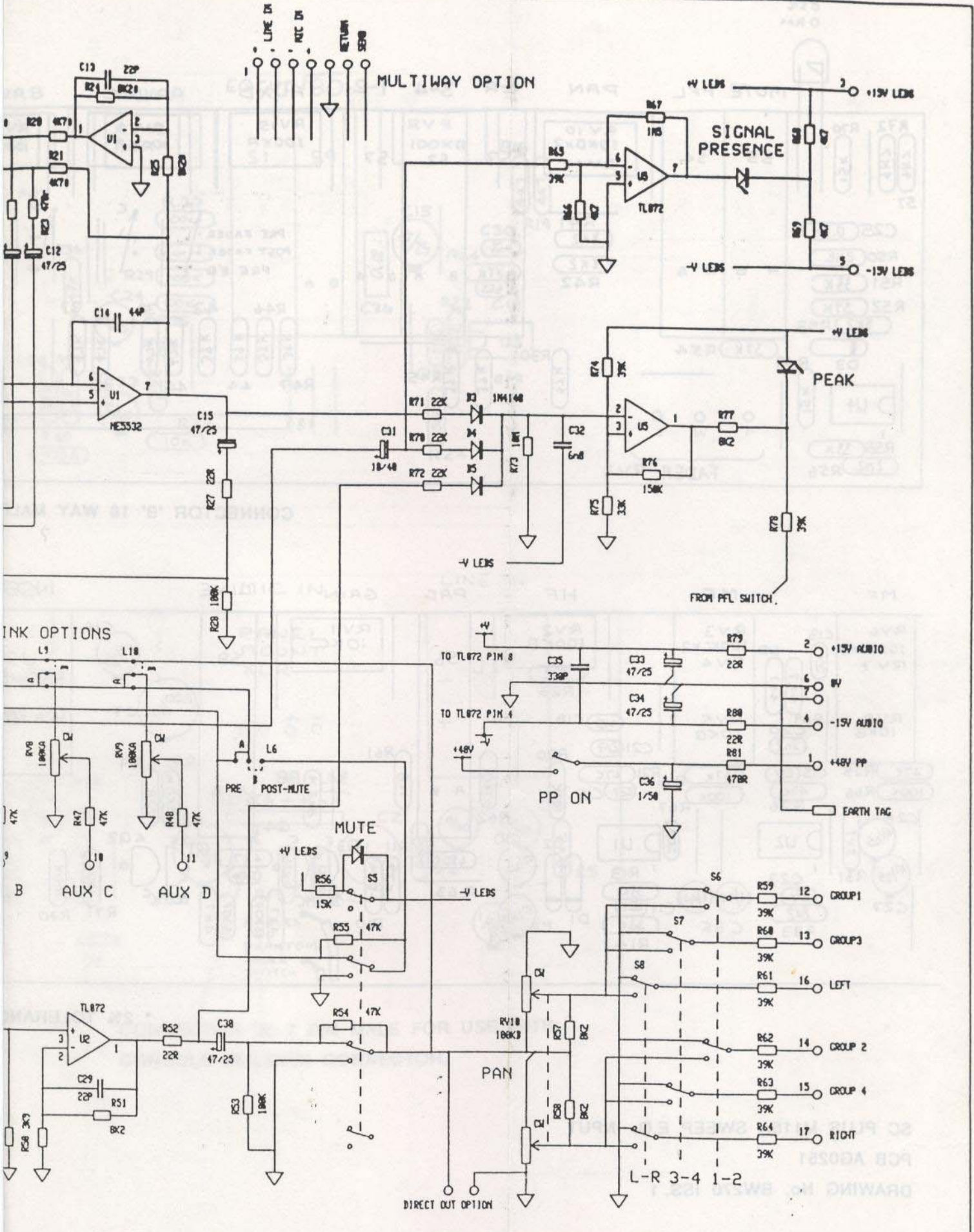
CONNECTOR 'A' 7 PIN MALE FOR USE WITH CONSOLE MULTIPIN CONNECTOR.



REVISION	BY	DATE
1SS.2	CD	8-12-89

RESISTORS MARKED * ARE 1%
 ALL OTHERS ARE 1/4W 5%
 CAPACITORS ARE uF/VOLTS

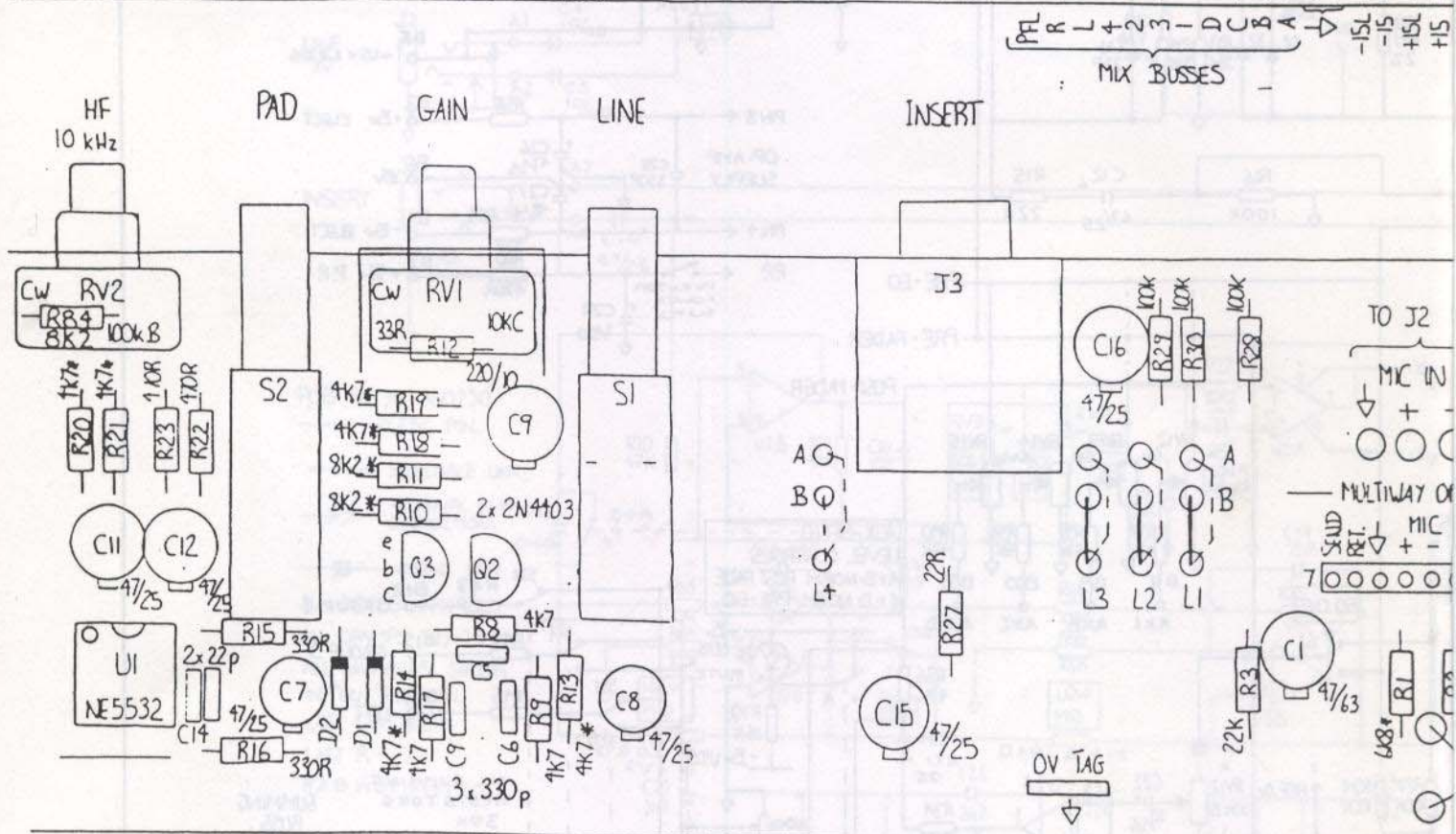
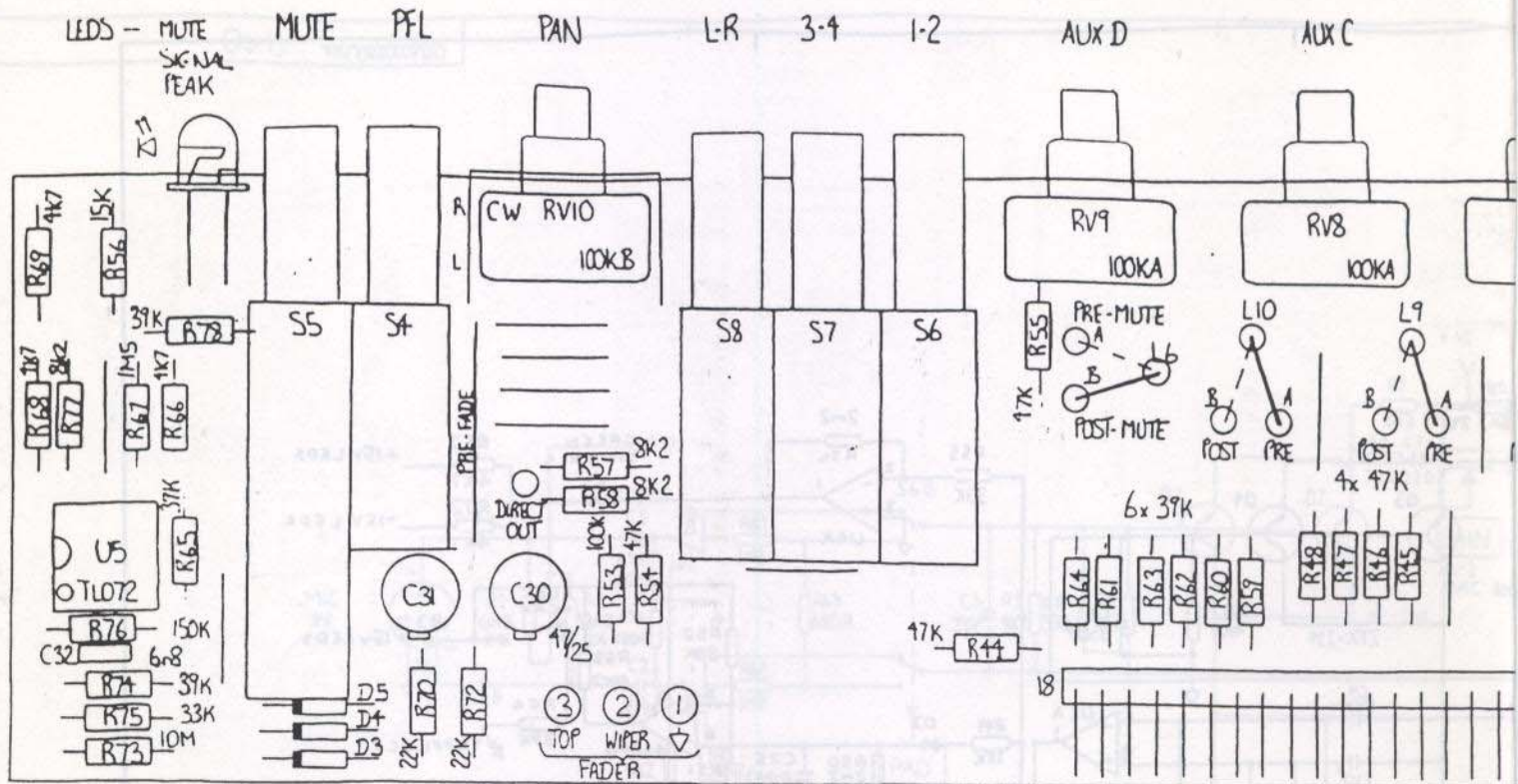
MODULE ASSEMBLY
 PCB TYPE AG0250



ZX200-612
ISSUE 2

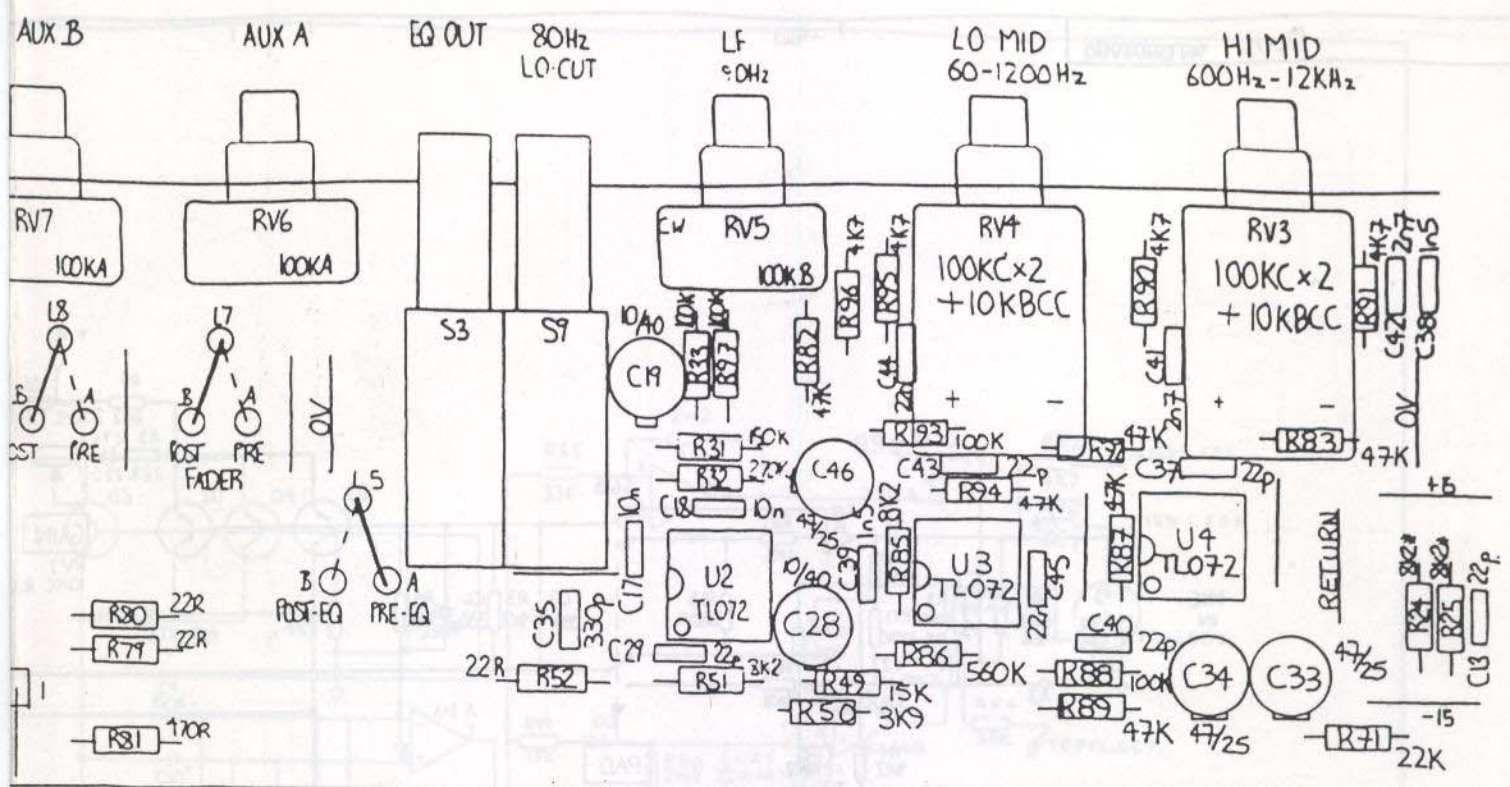
DRAWING TITLE
 SC SERIES
 M110A MONO INPUT
 WITH FIXED EQUALISER

ALLEN & HEATH
 KERNICK IND. EST. TEL. 0326372070
 PENRYN
 CORNWALL TR10 9LU FAX. 0326377097
 DRAWING No. 956 ISSUE 2

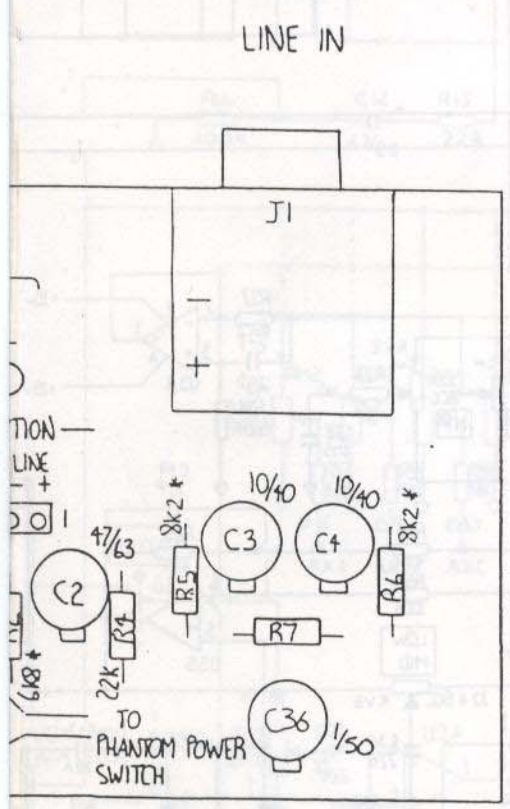


SC PLUS M115A SWEEP E.Q. INPUT
 PCB AG0262 ISS. 1
 DRAWING No. BW285 ISS. 1

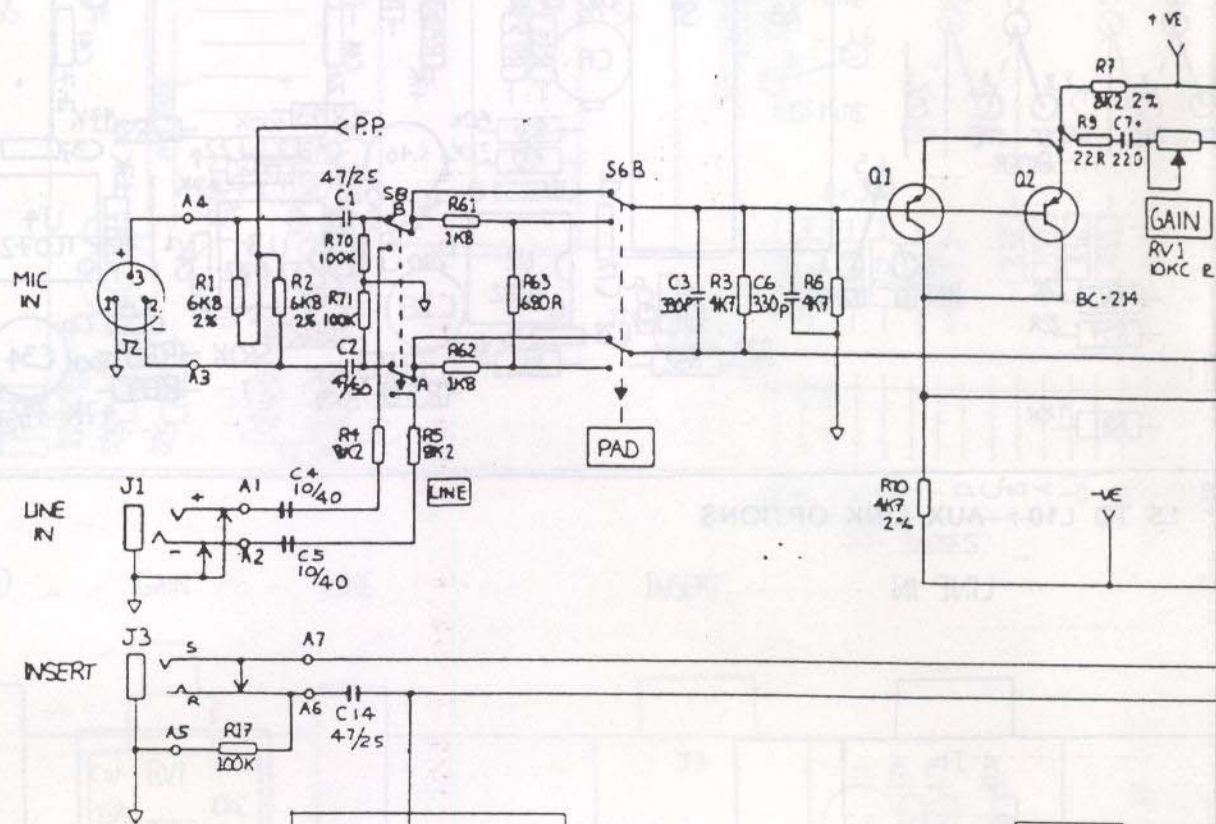
L1 TO L4: INSERT OPTION LINKS SHO



L5 TO L10: AUX LINK OPTIONS



WEN SET FOR TIP - RETURN
RING - SEND



PCB REF No AG0230

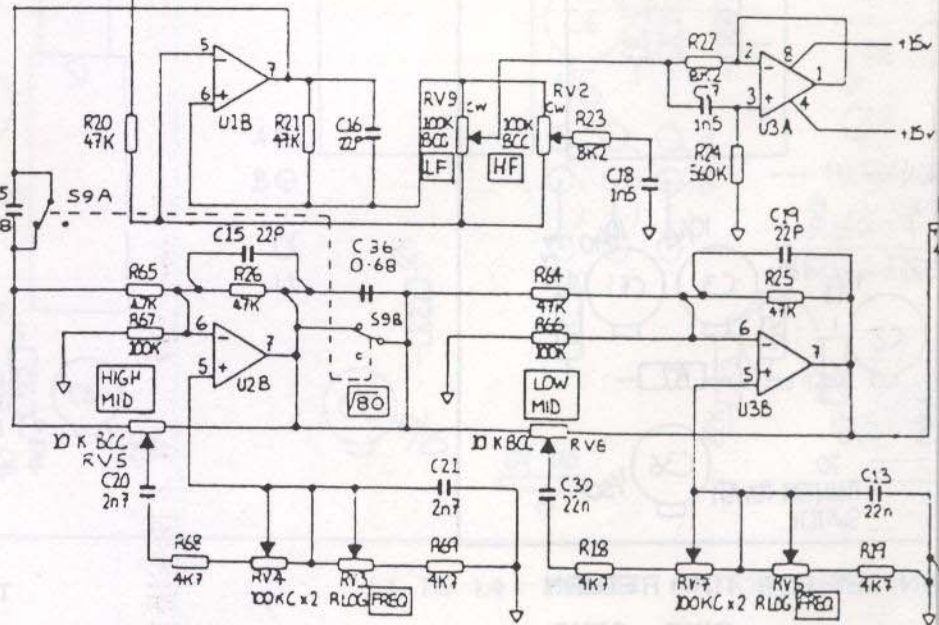
○ IDC PIN.

● SELECTABLE LINK.

→ INTERNAL PCB CONNECTION.

■ WIRING PAD

ALL DIODES 1N4148
 ALL OPAMPS TL0-72
 ALL SWITCHES, SHOWN
 IN "OUT" POSITION.
 LAST C = 32
 LAST R = 72
 R28 NOT FITTED

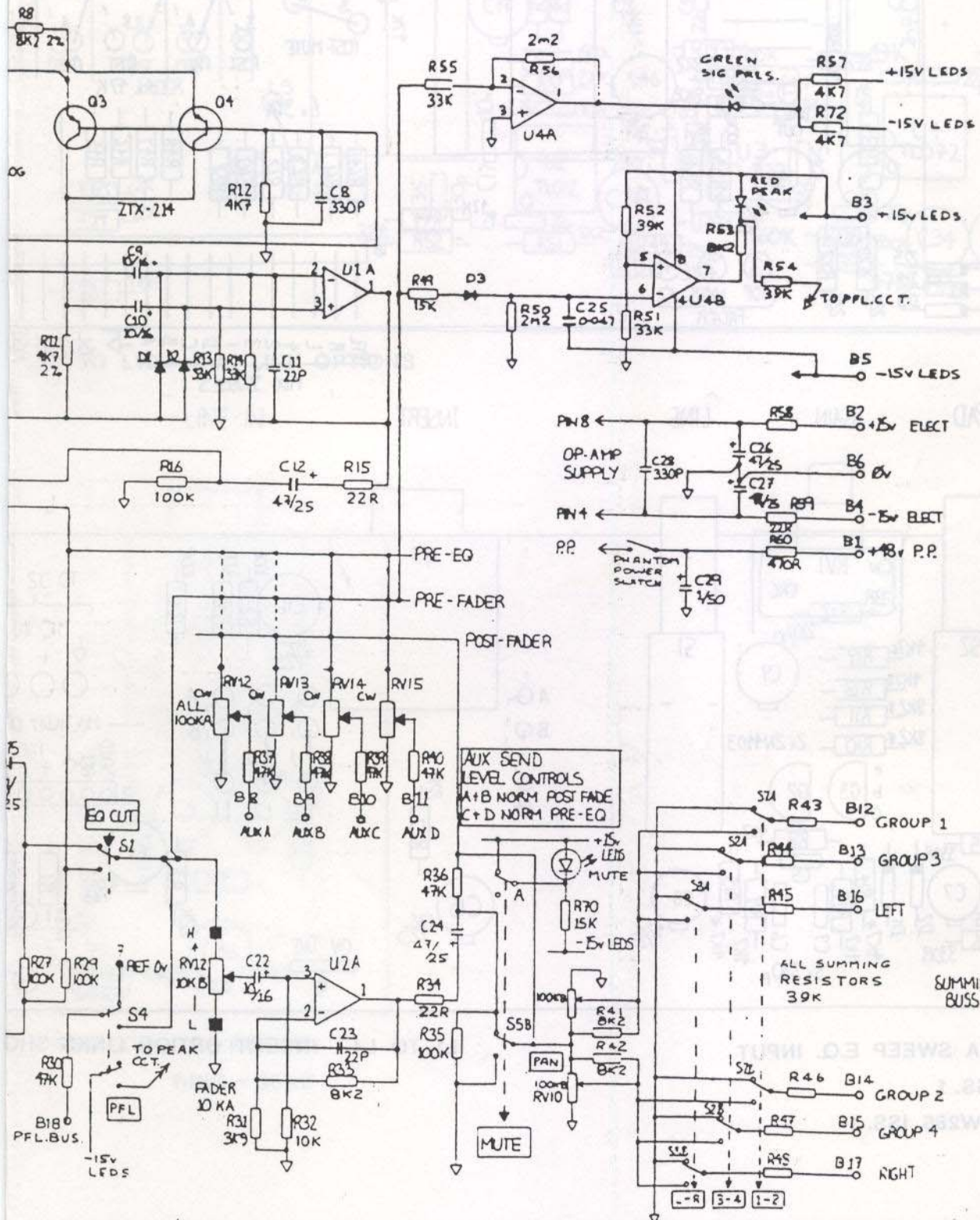


SC PLUS M115A SWEEP EQ INPUT

PCB AG0282 ISS. 1

DRAWING No. DW235 SC INPUT C.C.T. WITH SWEEP EQ

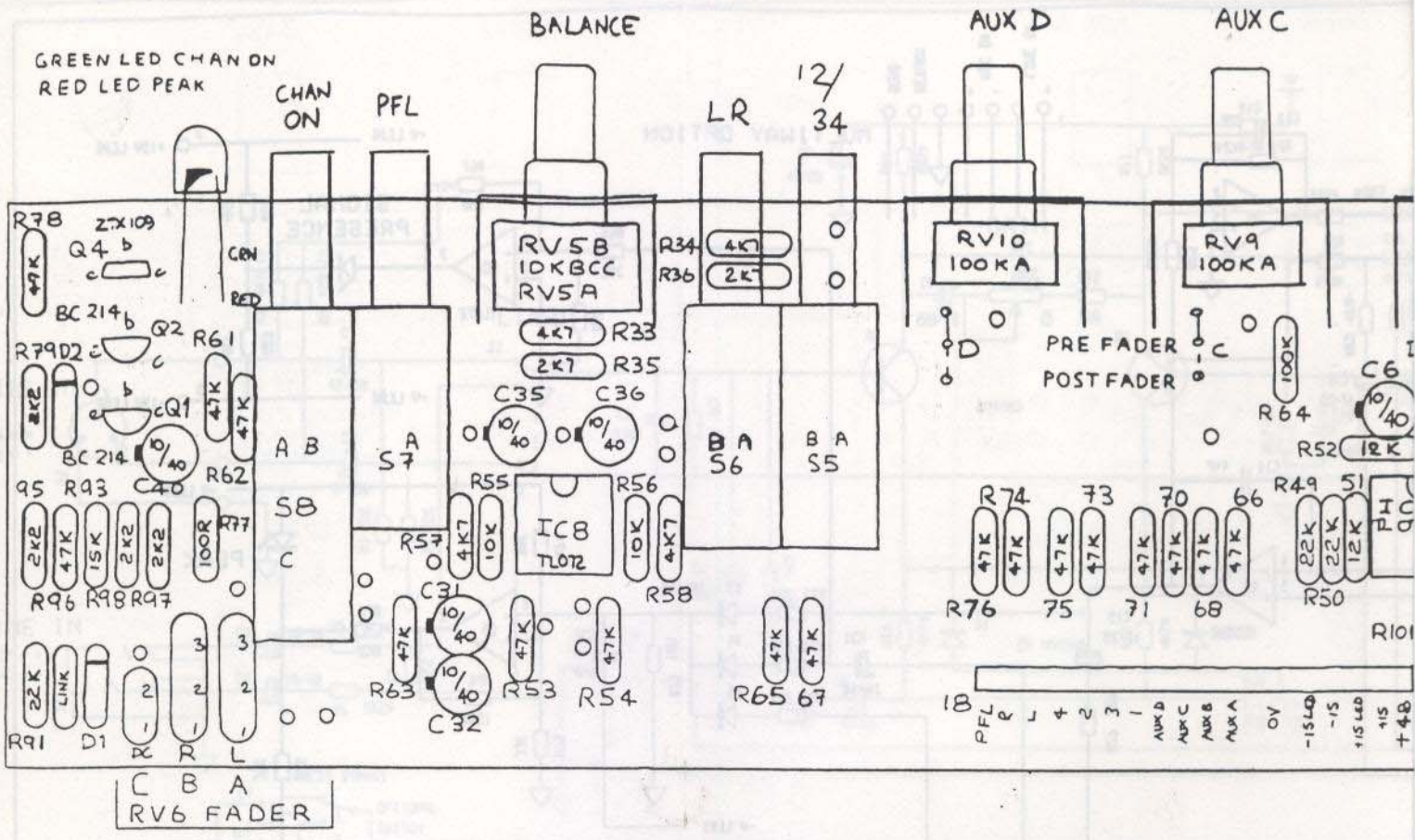
STANDARD NOTES		MATERIAL		TOLERANCES		FINISH	
ALL DIMENSIONS IN mm				GENERAL		±0.25 mm	
DO NOT SCALE DRAWING				HOLE CENTRES		±0.15 mm	
THIRD ANGLE PROJECTION				HOLE SIZES		±0.10 mm	
REMOVE ALL DUFFING & SHARP EDGES				UNLESS STATED OTHERWISE			
SCALE							
ORIGIN	DATE	REVISION	DATE				



NOTES

UNIT TITLE
 SC PLUS INPUT MIXER
 DRAWING TITLE
 PCB AG0251

AHB ALLAN & HEATH BOWEN LTD
 PROFESSIONAL AUDIO EQUIPMENT MANUFACTURERS
 DESIGN DEPT. 44 SHAW STREET, BRIMFLETON, BRISTOL, AVON, GLOS. GL7 7JH
 THE WYVERN INDUSTRIAL ESTATE, PENRYN, CORNWALL, PL30 7YD
 01323 444444
 01323 444444
 01323 444444



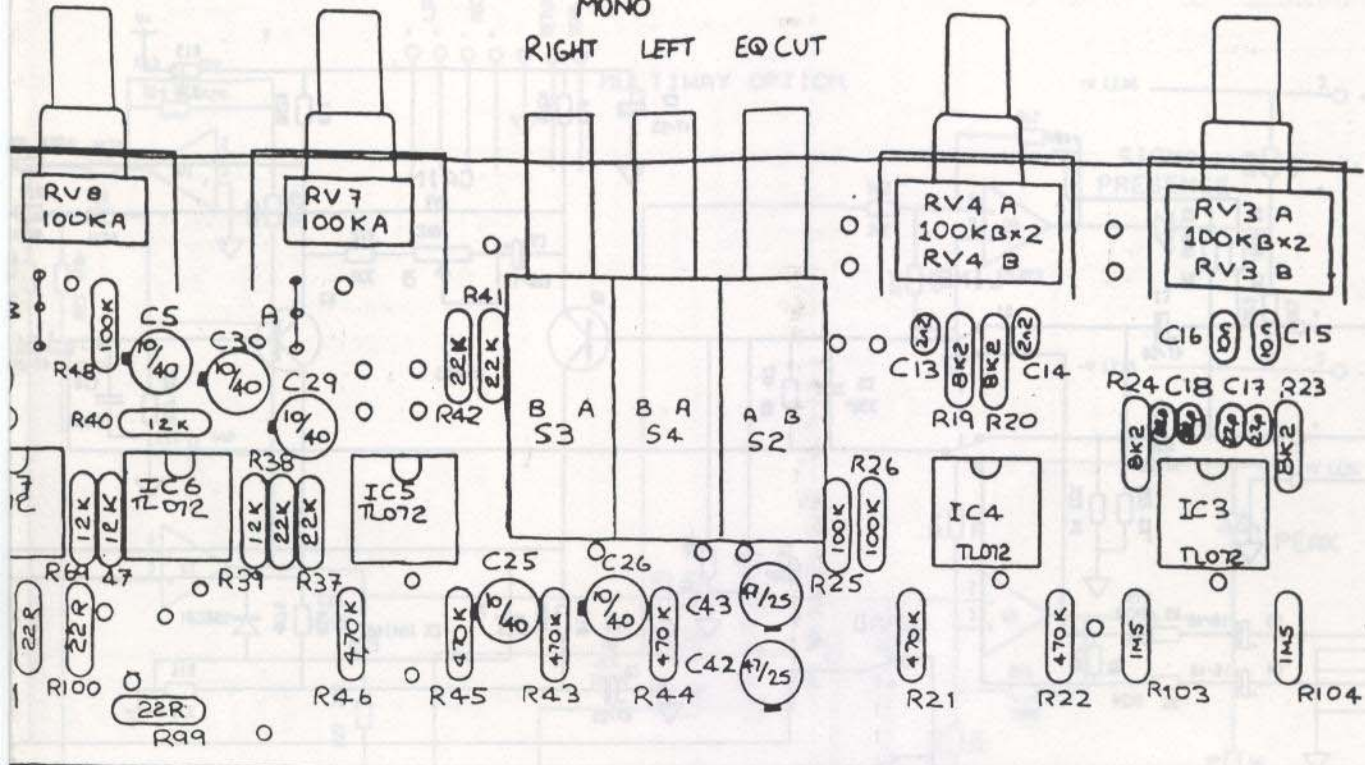
AUX B

AUX A

80 Hz

2 kHz

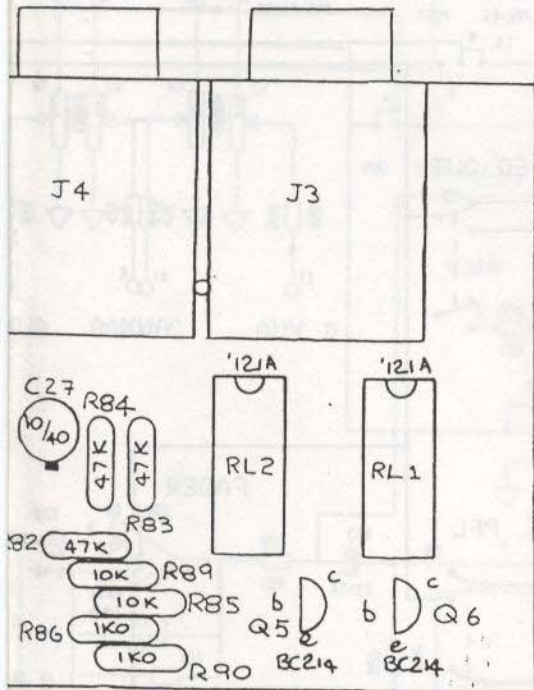
MONO
RIGHT LEFT EQ CUT



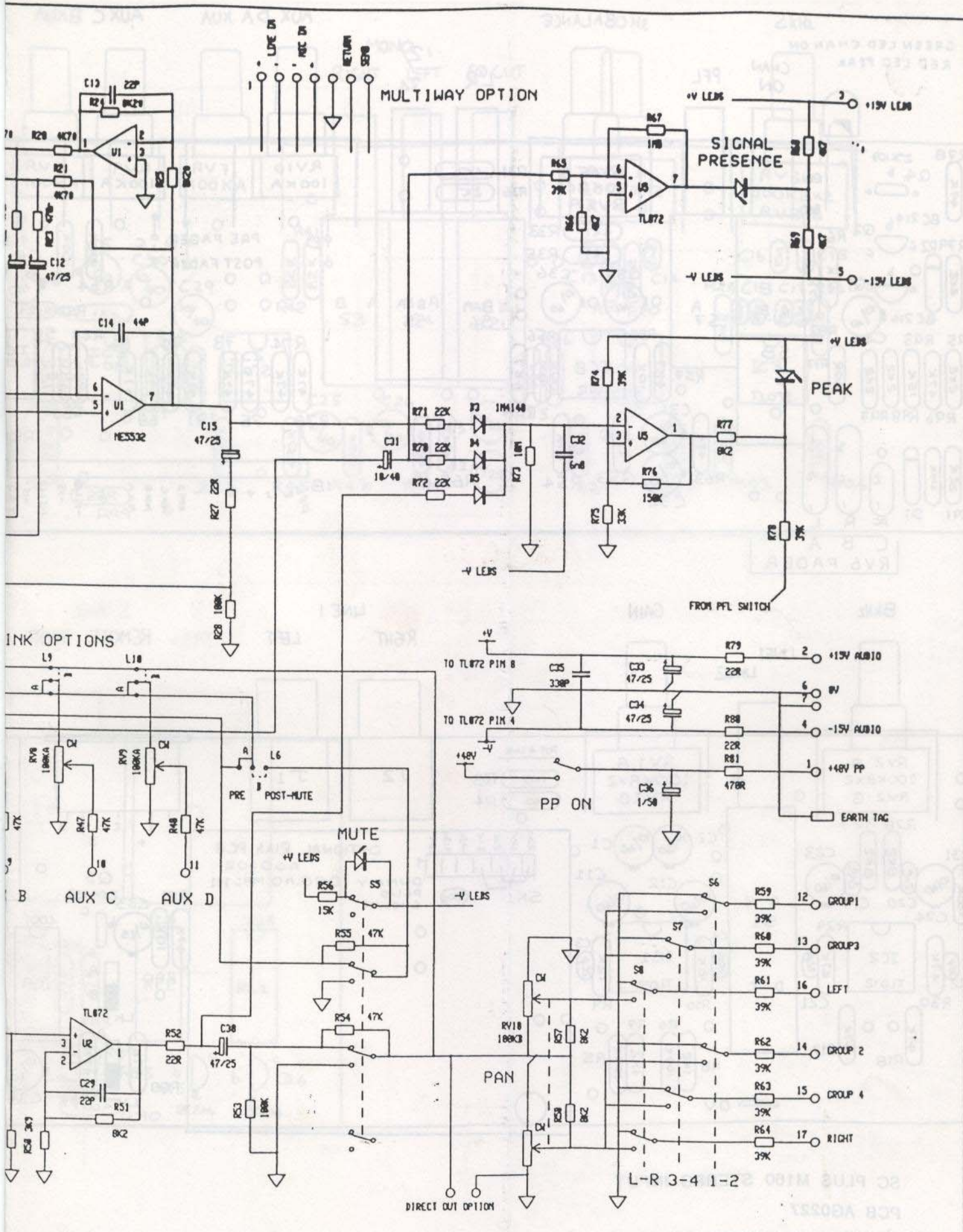
LINE 2

RIGHT

LEFT



5C SERIES
M115A MONO INPUT

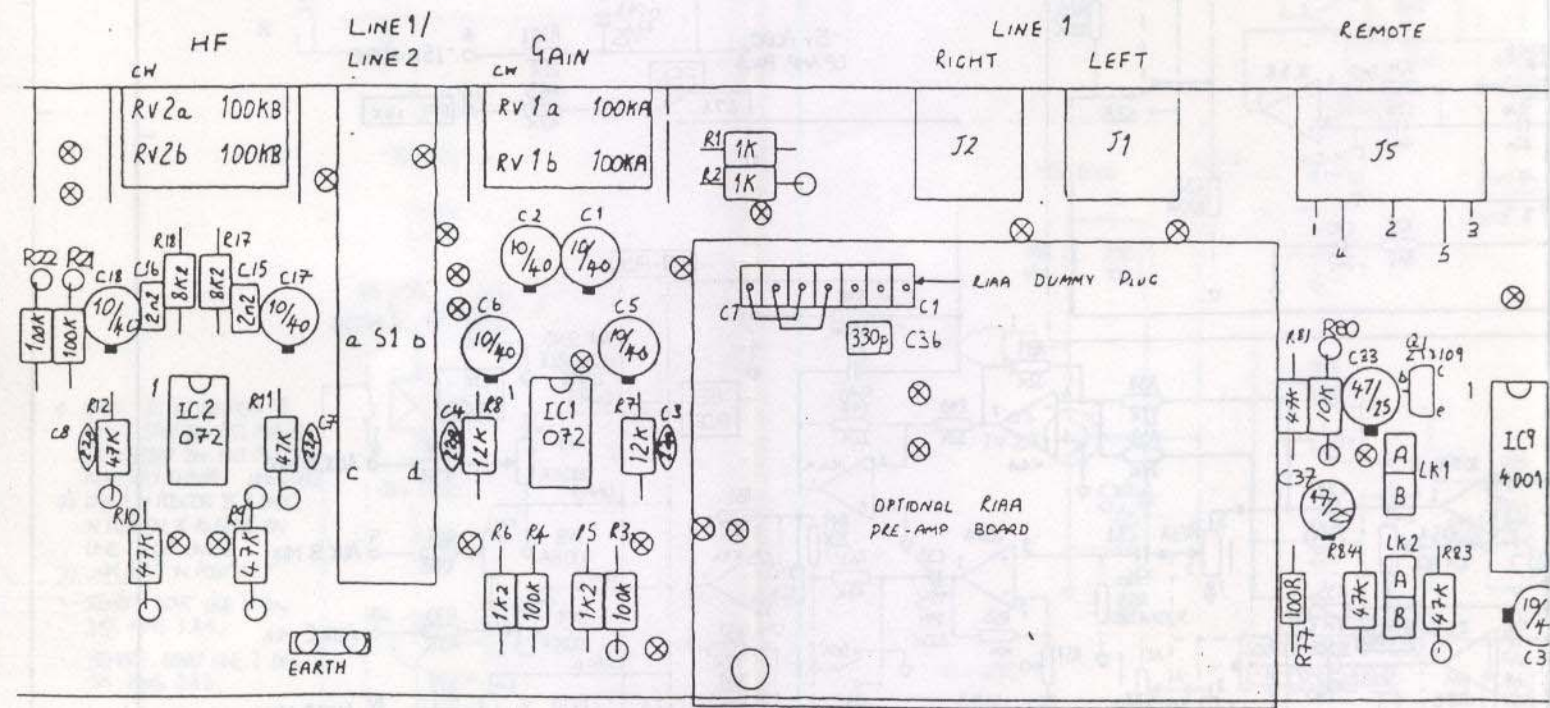
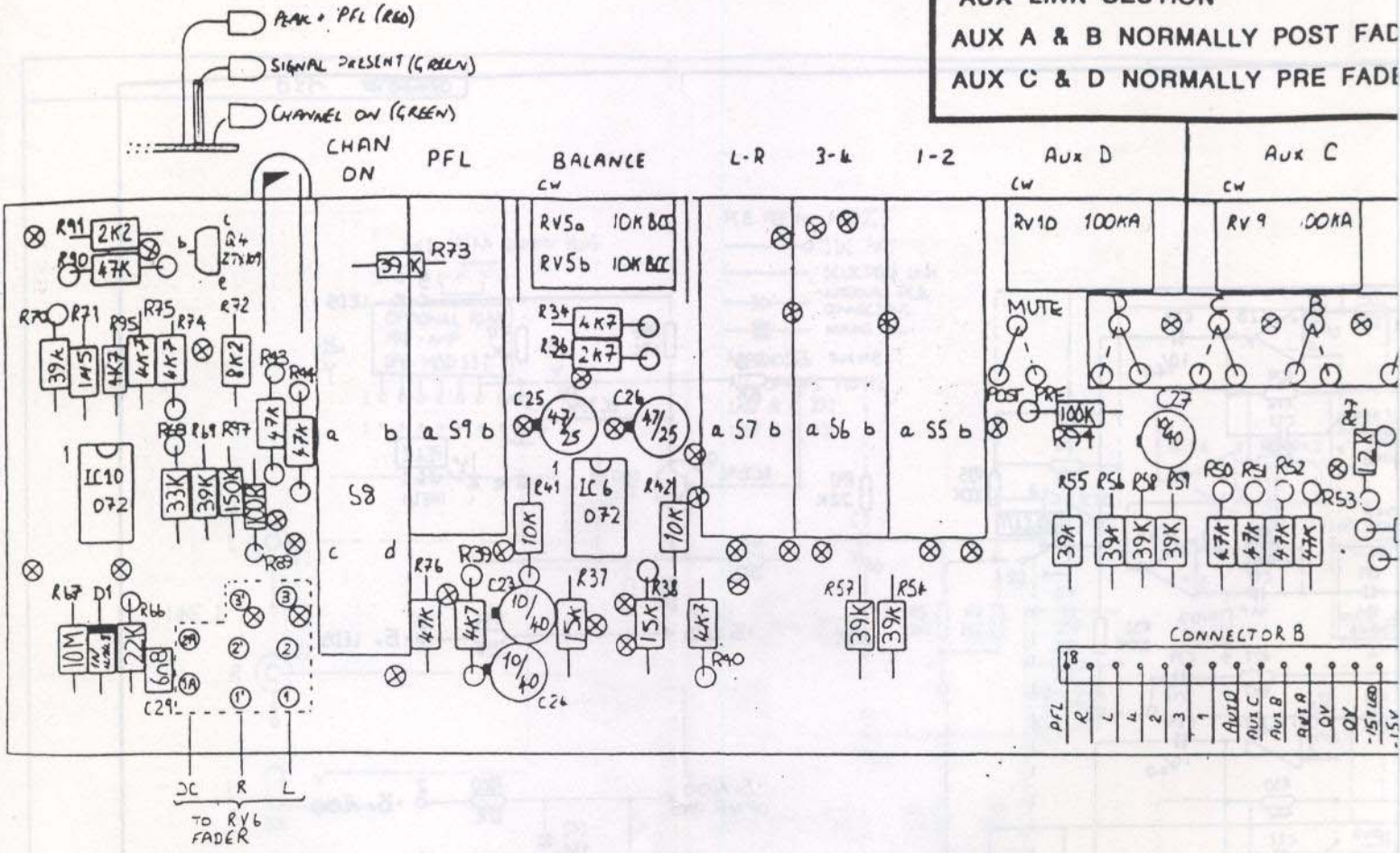


ZX200-609
ISSUE 1

DRAWING TITLE
SC SERIES
M115A MONO INPUT
WITH SWEEP EQUALISER

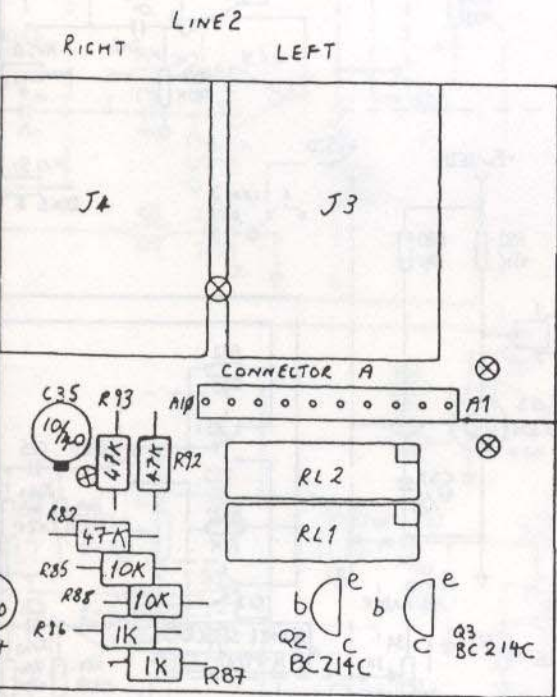
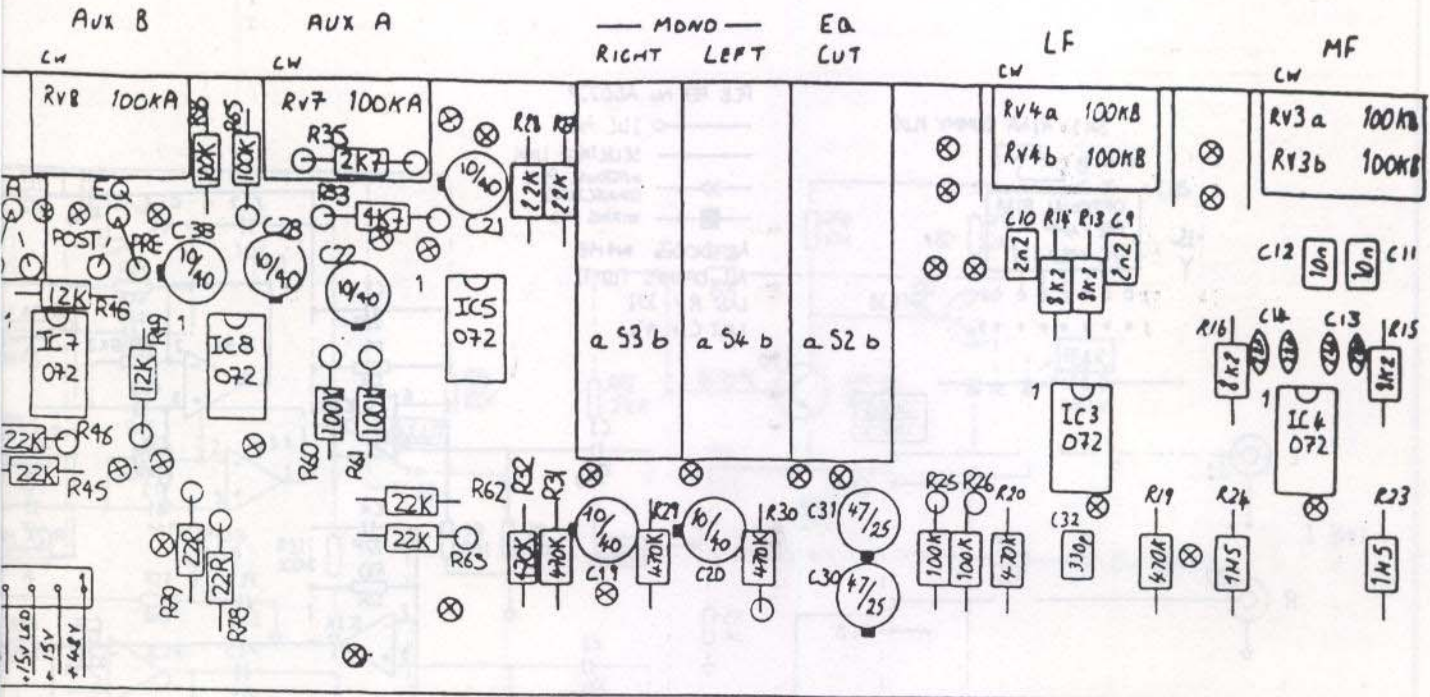
ALLEN & HEATH
KERNICK IND. EST. TEL. 0326372070
PENRYN
CORNWALL TR10 9LU FAX. 0326377097
DRAWING No. 944 ISSUE 4

AUX LINK SECTION
AUX A & B NORMALLY POST FADE
AUX C & D NORMALLY PRE FADE



SC PLUS STEREO INPUT MODULE M160A
 PCB AG0257 ISS. 2
 DRAWING No. BW276 ISS. 2

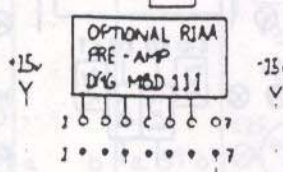
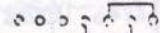
VER
ER



CONNECTOR 'A' FOR USE
WITH CONSOLE MULTIWAY
CONNECTOR

bEt UNDRAWN

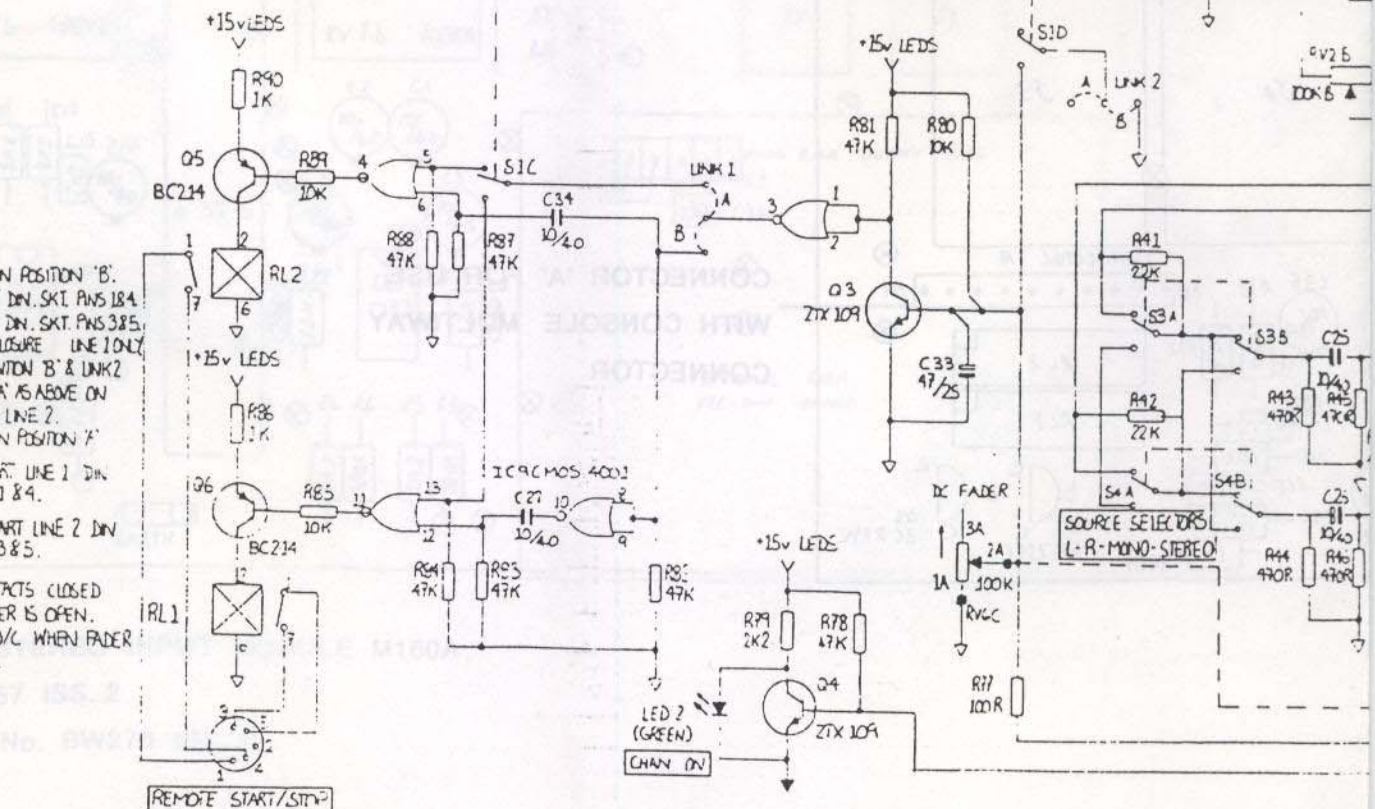
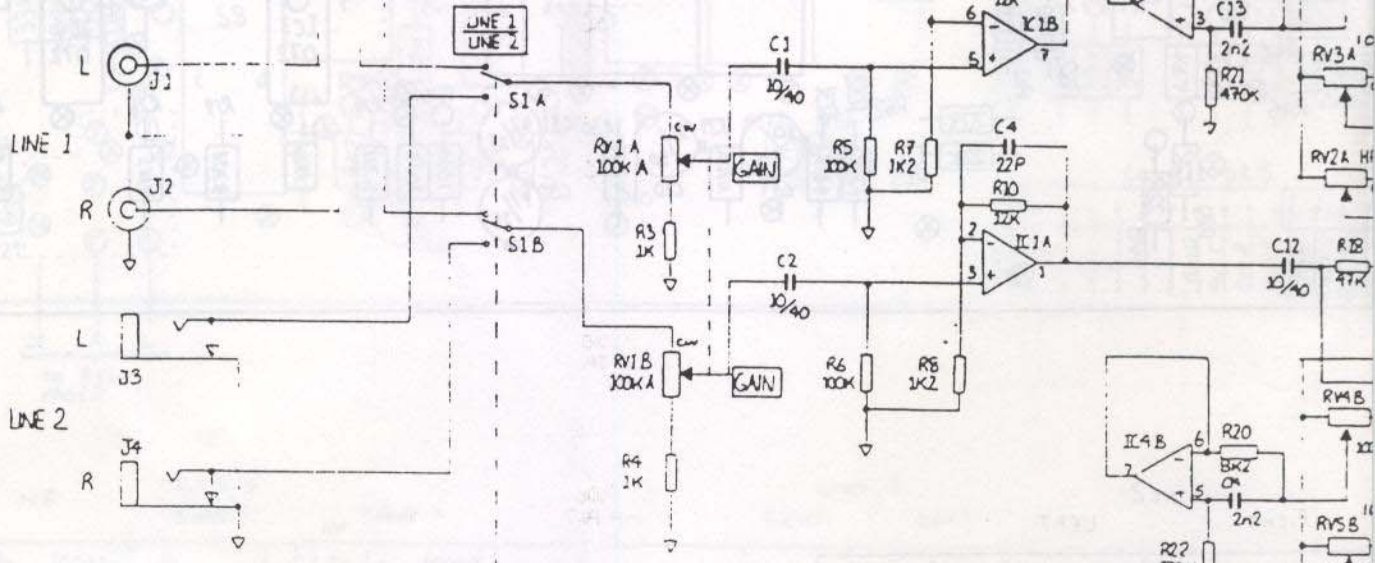
SK1 RJ4A DUMMY PLUG



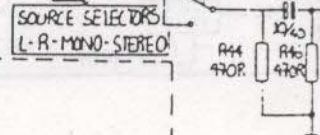
PCB REF No AG0257

- DC Pin.
- SELECTABLE LINK
- >>— INTERNAL PCB CONNECTIONS
- WIRING PAD

ALL DIODES M4148
ALL OPAMPS TL072
LAST R = 101
LAST C = 45



- 1) LINKS 1&2 IN POSITION 'B'.
REMOTE START DIN. SKT. PINS 1&4.
REMOTE STOP DIN. SKT. PINS 3&5.
MOMENTARY CLOSURE LINE 1 ONLY.
 - 2) LINK 1 IN POSITION 'B' & LINK 2
IN POSITION 'A' AS ABOVE ON
LINE 1 OR LINE 2.
 - 3) LINK 1&2 IN POSITION 'A'
- REMOTE START LINE 1 DIN
SKT. PINS 1&4.
- REMOTE START LINE 2 DIN
SKT. PINS 3&5.
- RELAY CONTACTS CLOSED
WHEN FADER IS OPEN.
CONTACTS O/C WHEN FADER
IS CLOSED.



STANDARD NOTES

ALL DIMENSIONS IN mm
DO NOT SCALE DRAWING
THIRD ANGLE PROJECTION
REMOVE ALL BURRS & SHARP EDGES

SCALE

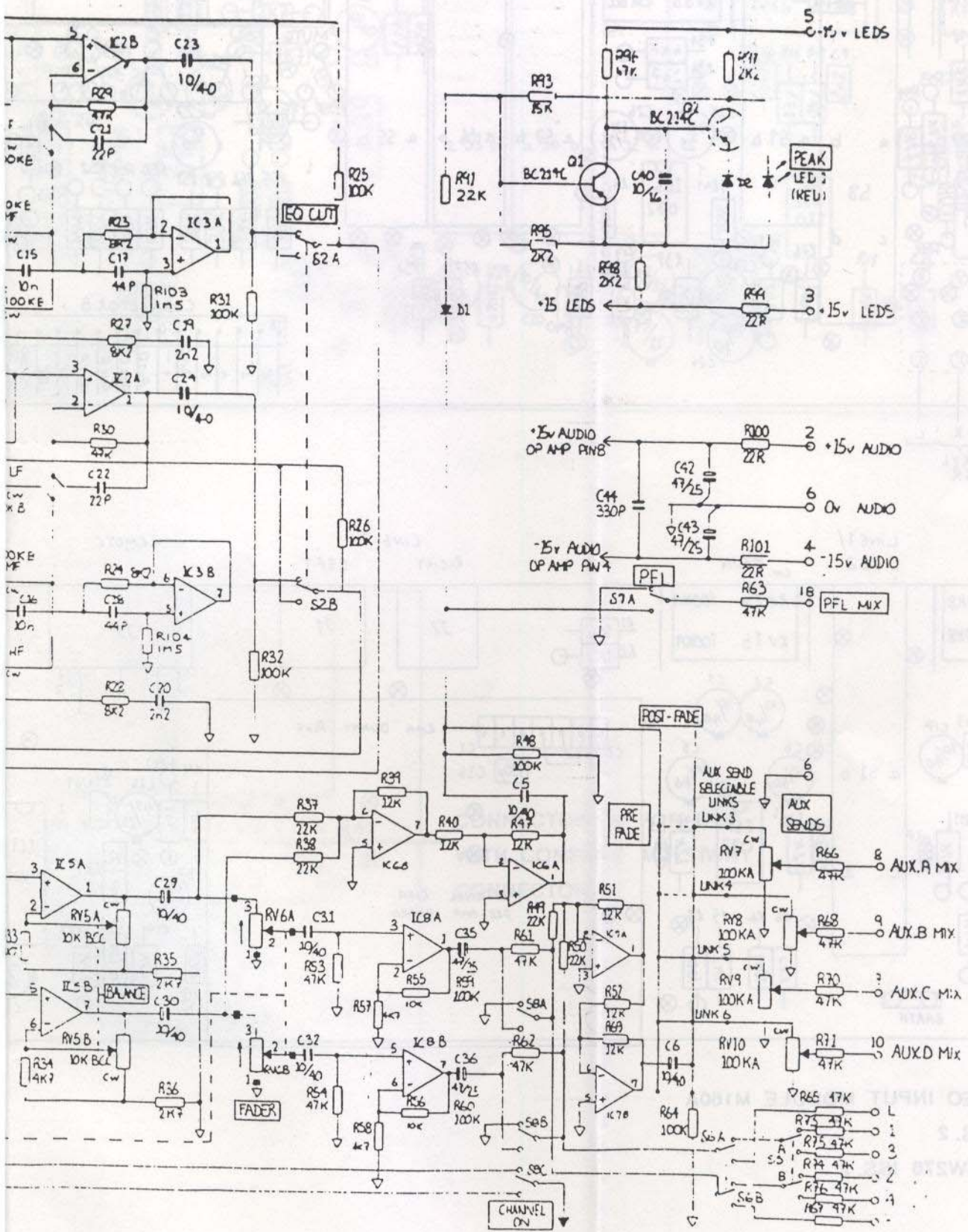
MATERIAL

TOLERANCES

GENERAL ±0.25 mm
HOLE CENTRES ±0.15 mm
HOLE SIZES ±0.10 mm

UNLESS STATED OTHERWISE

REV	CORRECTIONS	DATE	CHECKED
1	ORIGIN	15/7/88	GMI
2	REVISION		



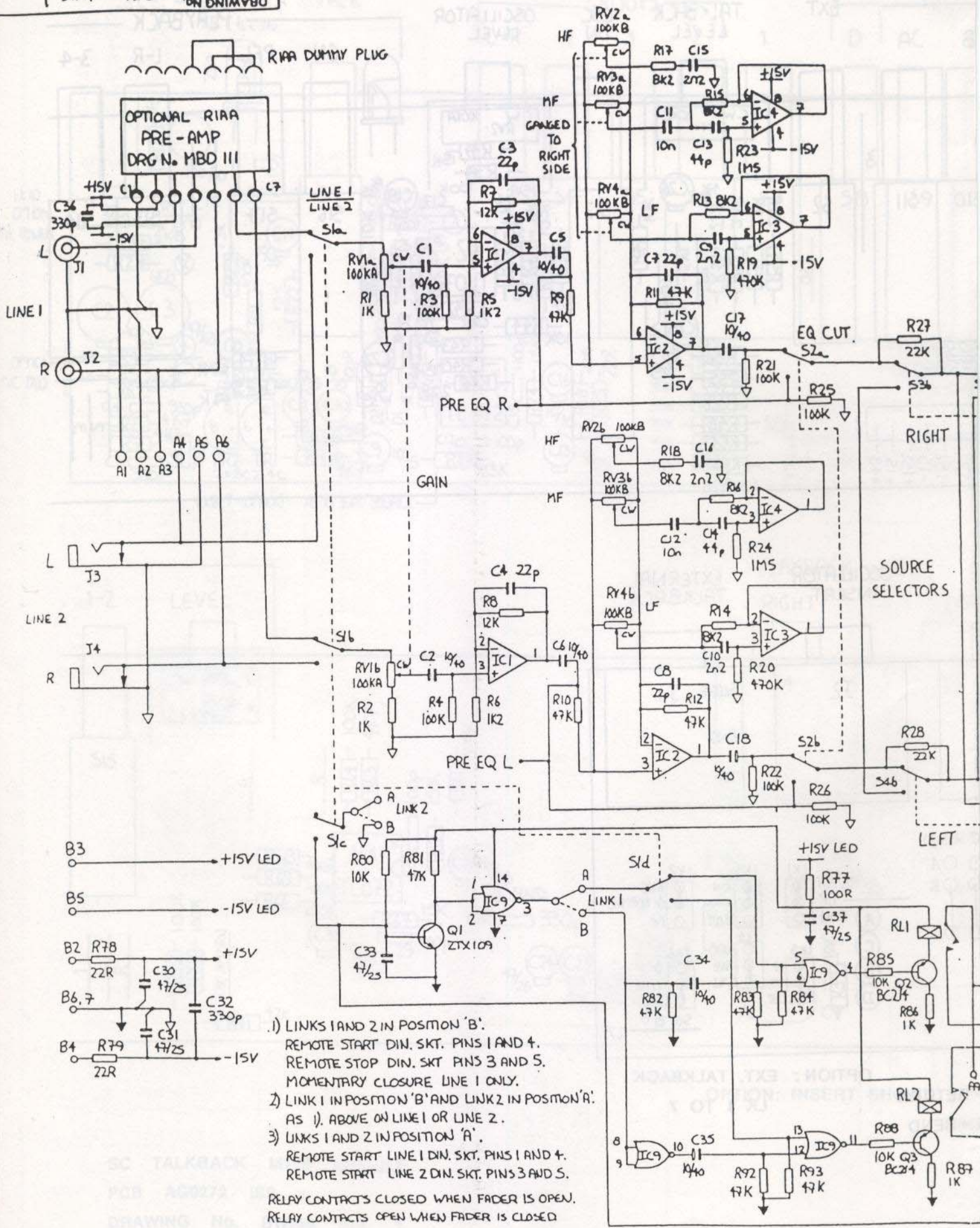
NOTES

UNIT TITLE
SC PLUS STEREO INPUT MIX

DRAWING TITLE
PCB AG0227 16.1.2

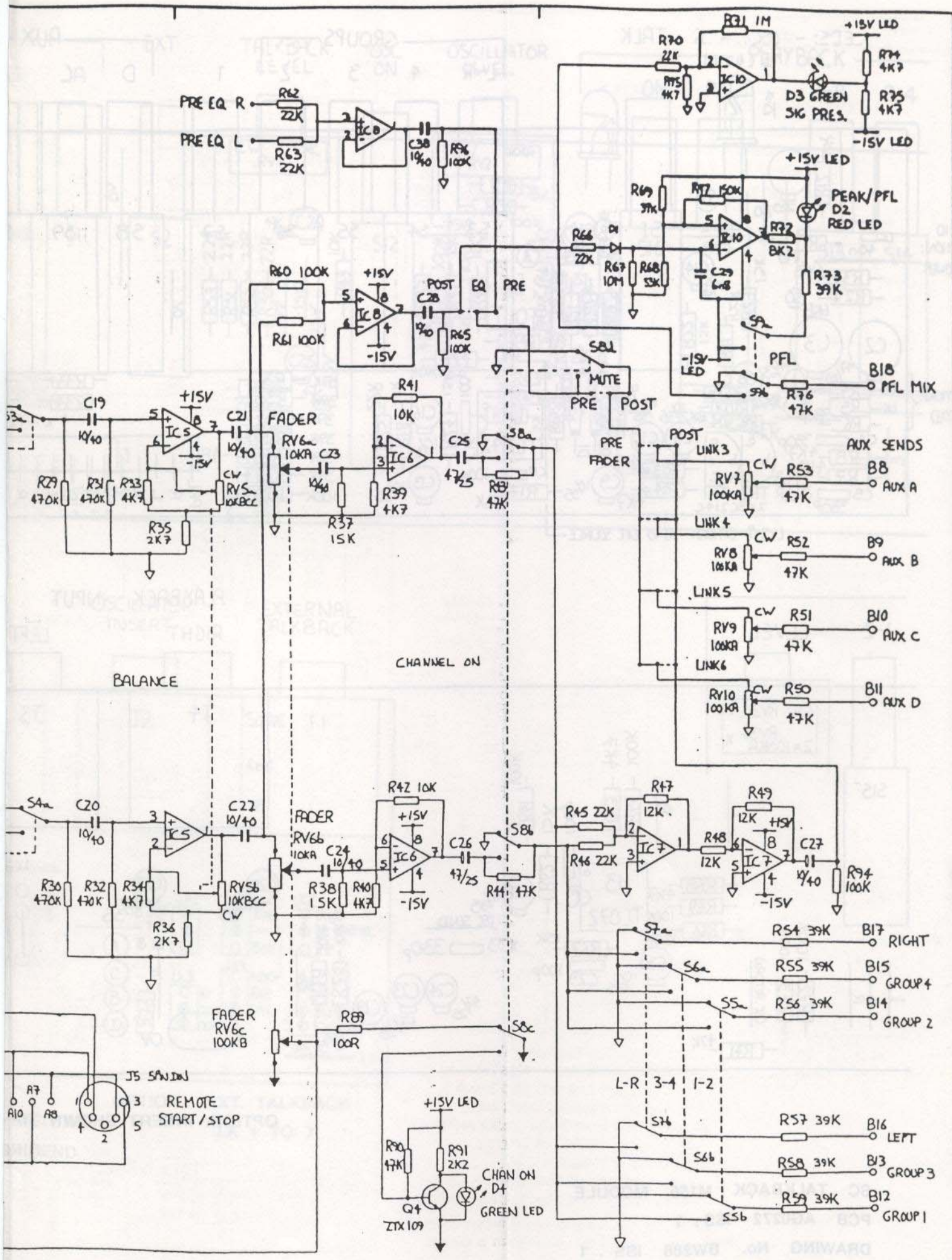
AHB ALLEN & HEATH BRENNELL LTD
PROFESSIONAL AUDIO EQUIPMENT MANUFACTURERS
271-5, LIMEWOOD ROAD, LONDON, W11 1NT. TEL NO 01-601-1077

DRAWING No 939 15.04.72



- 1) LINKS 1 AND 2 IN POSITION 'B'.
REMOTE START DIN. SKT. PINS 1 AND 4.
REMOTE STOP DIN. SKT. PINS 3 AND 5.
MOMENTARY CLOSURE LINE 1 ONLY.
 - 2) LINK 1 IN POSITION 'B' AND LINK 2 IN POSITION 'A'.
AS 1), ABOVE ON LINE 1 OR LINE 2.
 - 3) LINKS 1 AND 2 IN POSITION 'A'.
REMOTE START LINE 1 DIN. SKT. PINS 1 AND 4.
REMOTE START LINE 2 DIN. SKT. PINS 3 AND 5.
- RELAY CONTACTS CLOSED WHEN FADER IS OPEN.
RELAY CONTACTS OPEN WHEN FADER IS CLOSED

STANDARD NOTES		MATERIAL	TOLERANCES	FINISH
ALL DIMENSIONS IN mm DO NOT SCALE DRAWING THIRD ANGLE PROJECTION REMOVE ALL BURRS & SHARP EDGES			GENERAL ±0.25 mm HOLE CENTRES ±0.15 mm HOLE SIZES ±0.10 mm	
MODIFIED ORIGIN	3/7/85 1/7/81			
SCALE				



NOTES
 ALL OP AMPS - TL072
 IC9 - 4001 QUAD NOR

UNIT TITLE
 SC PLUS STEREO INPUT MODULE
 M160A
 DRAWING TITLE
 CIRCUIT DIAGRAM FOR PCB

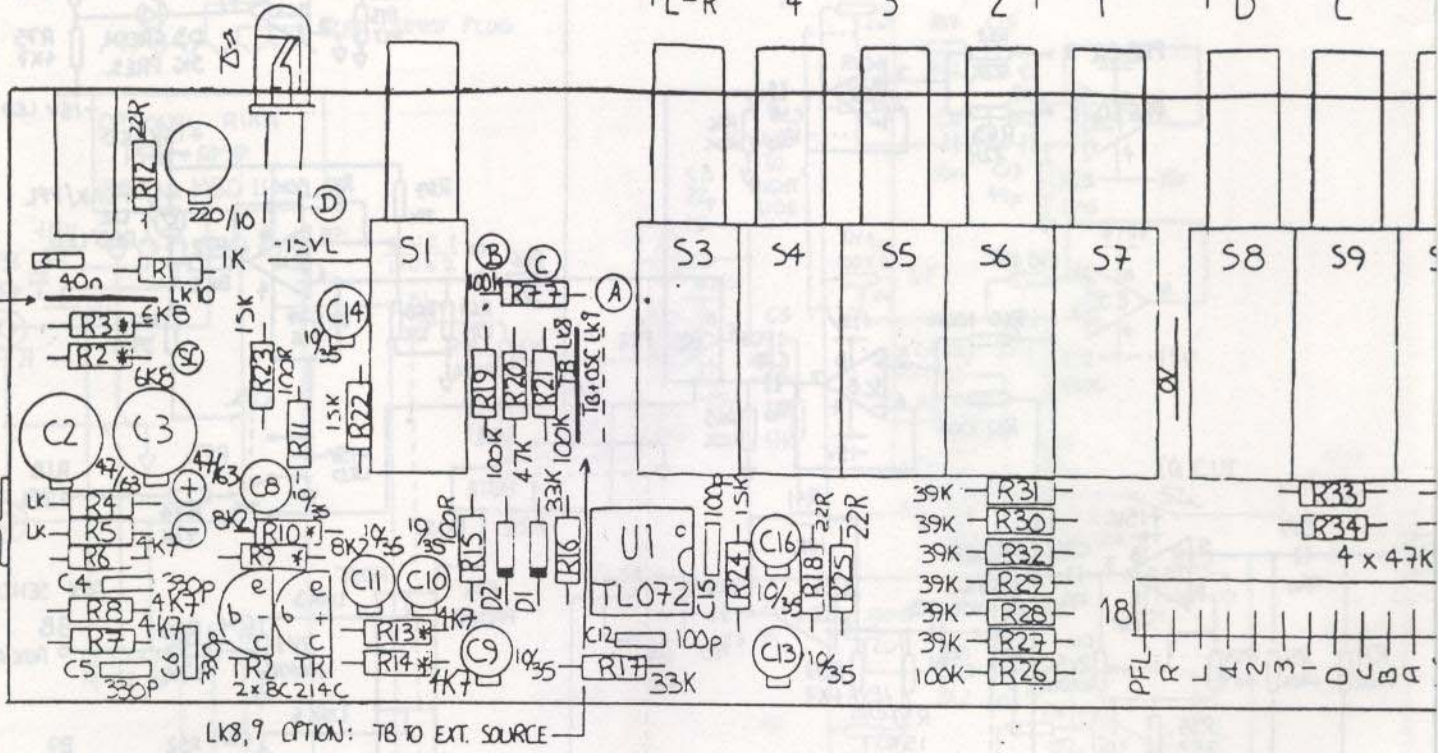
ALLEN + HEATH LTD 0326 372070
 KERNICK IND EST FAX 0326 377097
 PENRYN
 CORNWALL
 DRAWING NO. 051
 ISSUE 1

EDS: - OSC. TALK
TB CALL IN

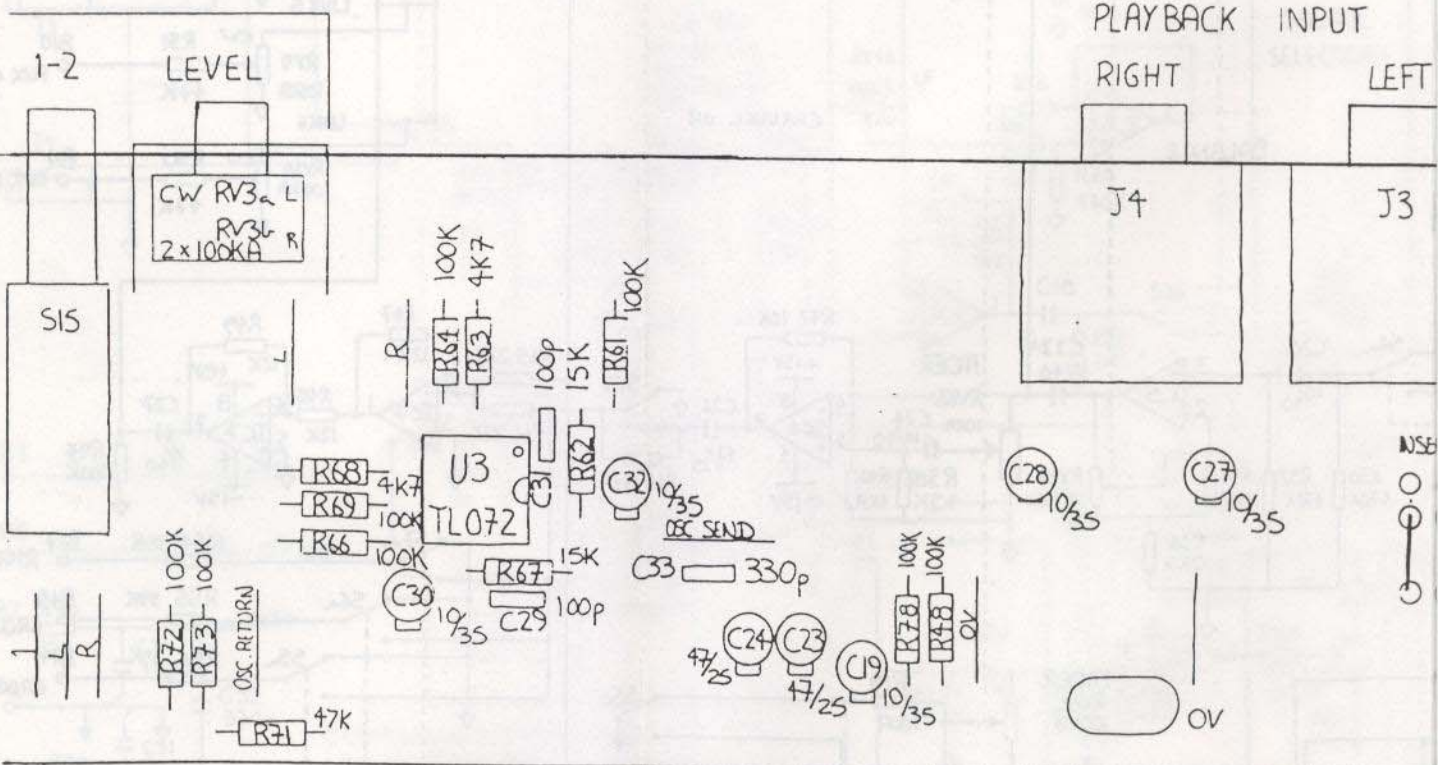
GROUPS
L-R 4 3 2 1 D C

LK10
OPTION:
PH. POWER

OPTION:
MIC PAD

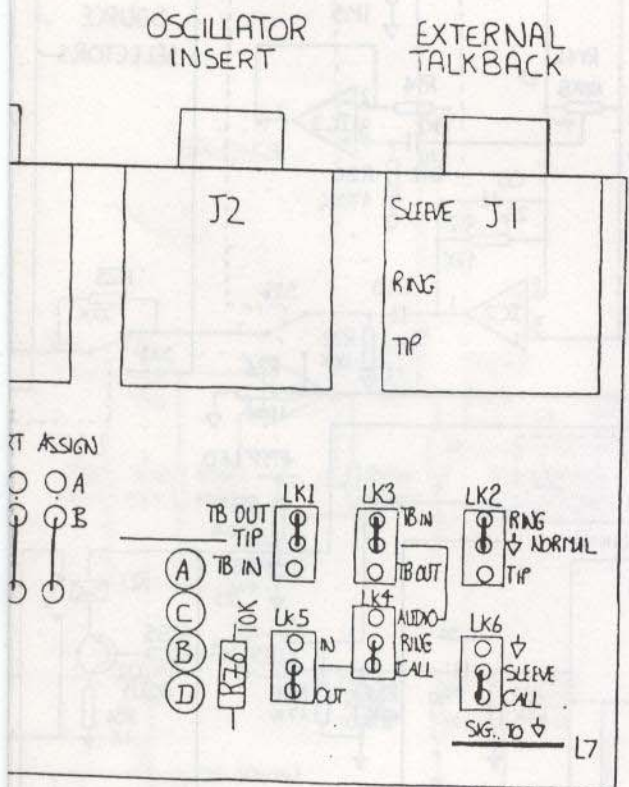
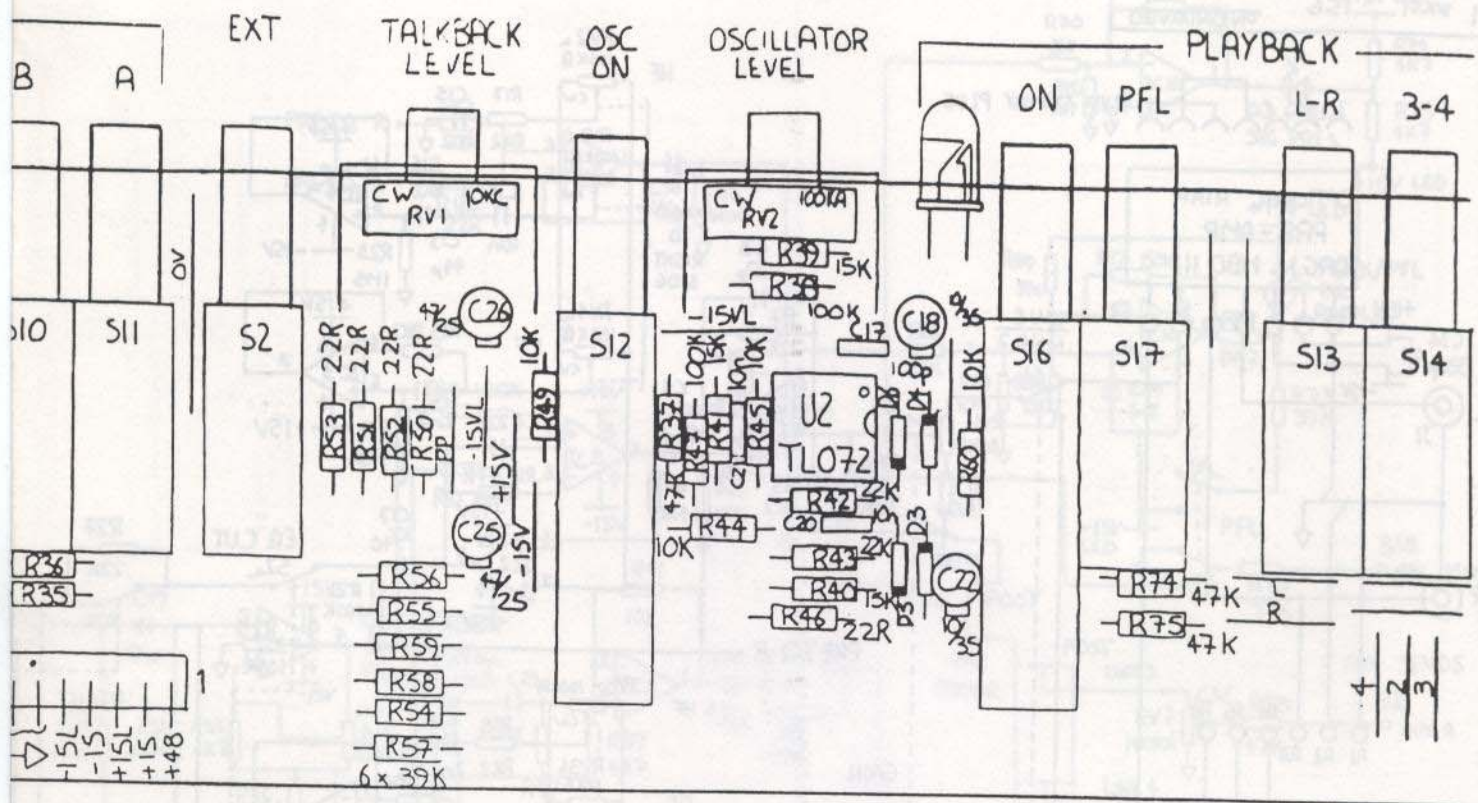


LK8,9 OPTION: TB TO EXT. SOURCE



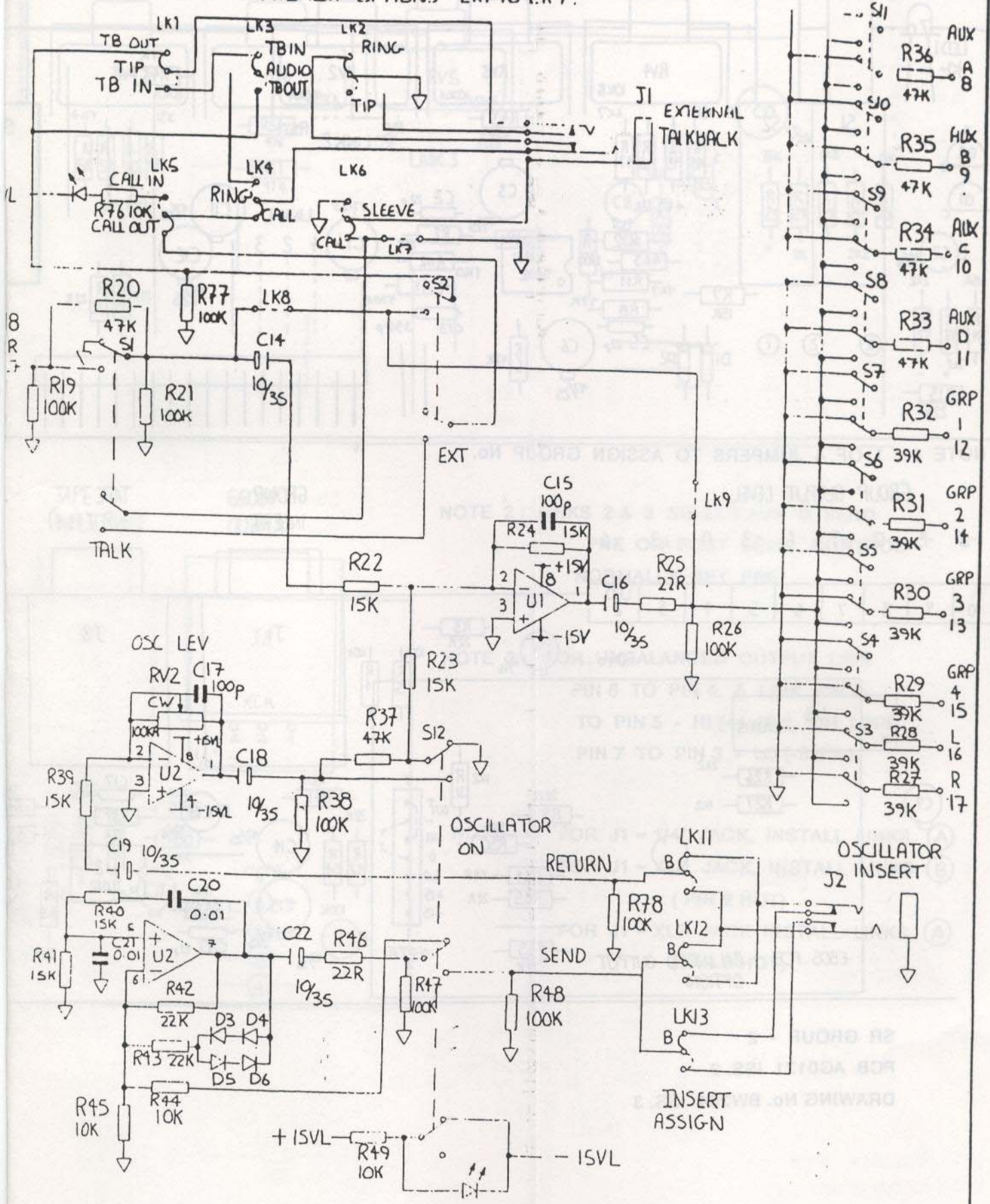
OPTION: INSERT SHOWN TIP
RING

SC TALKBACK M156 MODULE
PCB AG0272 ISS. 1
DRAWING No. BW288 ISS. 1



OPTION: EXT. TALKBACK
 LK 1 TO 7
 - RETURN
 = SEND

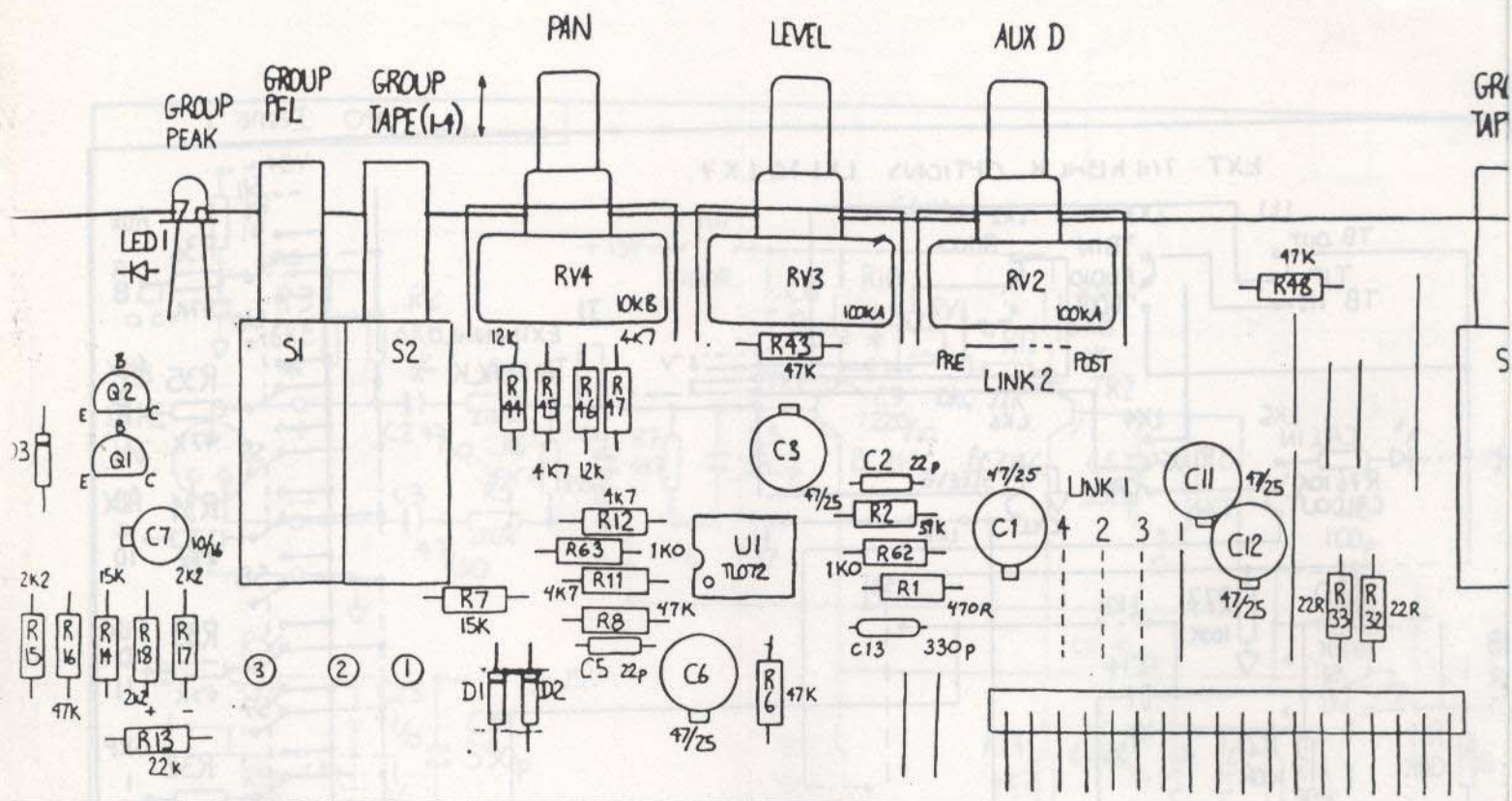
EXT TALKBACK OPTIONS LK1 TO LK7.



NOTES
 ALL OP-AMPS TL072
 RESISTORS MARKED * 1%
 ALL OTHERS 1/4W 5%
 CAPACITORS ARE uF/VOLTS

UNIT TITLE
 SC PLUS M150
 DRAWING TITLE
 PCB AG50272

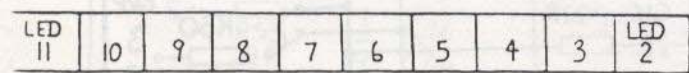
ALLEN+HEATH LTD.
 KERNICK IND EST TEL 0326372040
 PENRYN FAX 0326377097
 CORNWALL TRIO 4LD
 DRAWING No 960 ISSUE 1



NOTE 1: 1 OF 4 JUMPERS TO ASSIGN GROUP No.

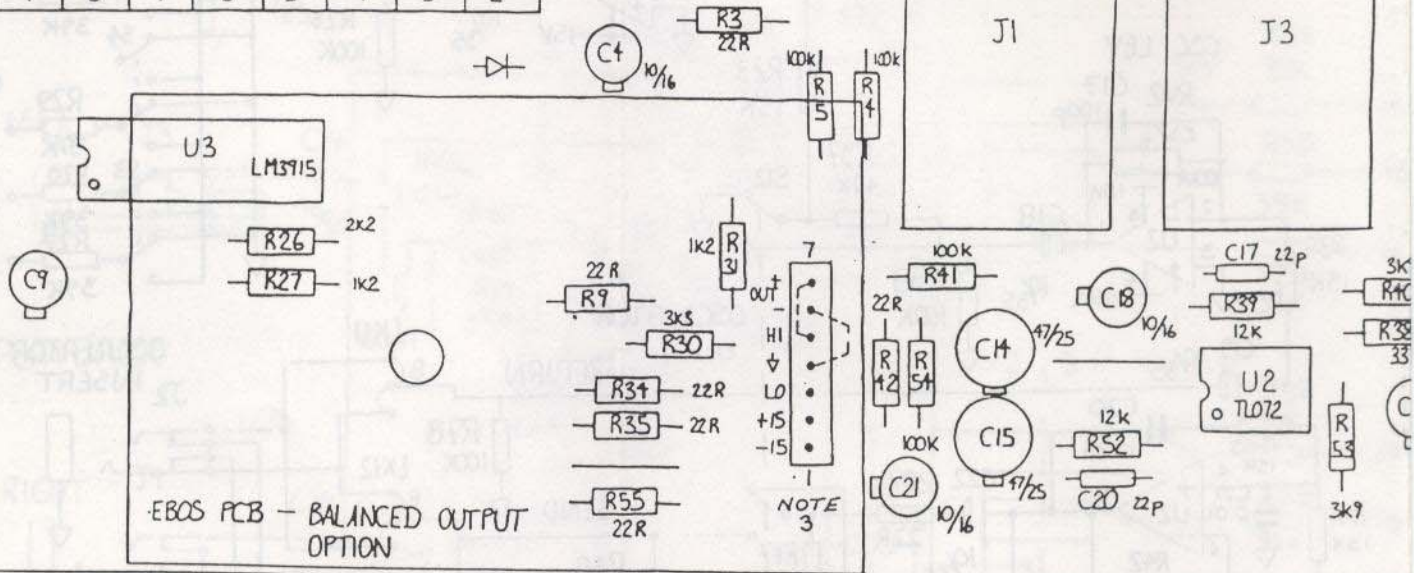
GROUP OUTPUT LEVEL

-21 -18 -15 -12 -9 -6 -3 0 +3 +6

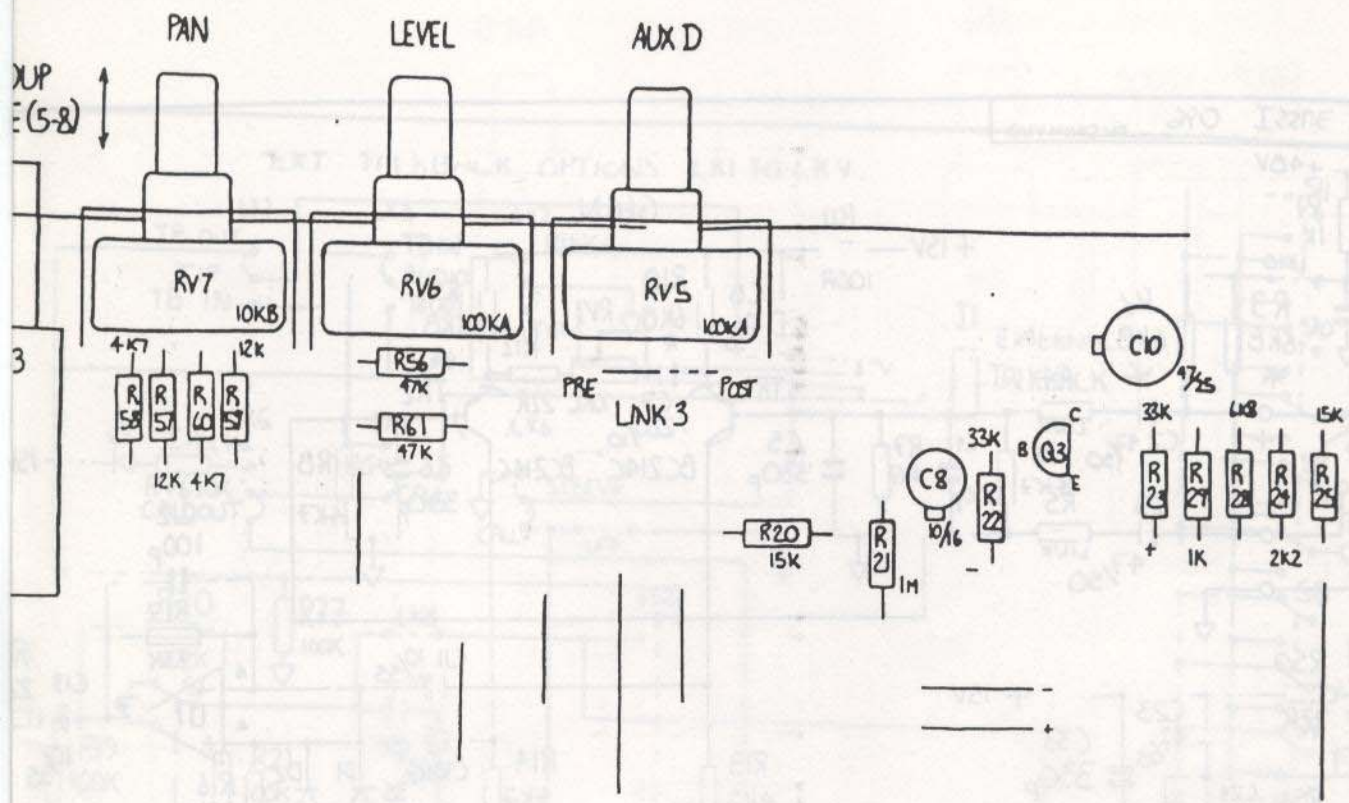


GROUP INSERT

TAPE INPUT (1-4)



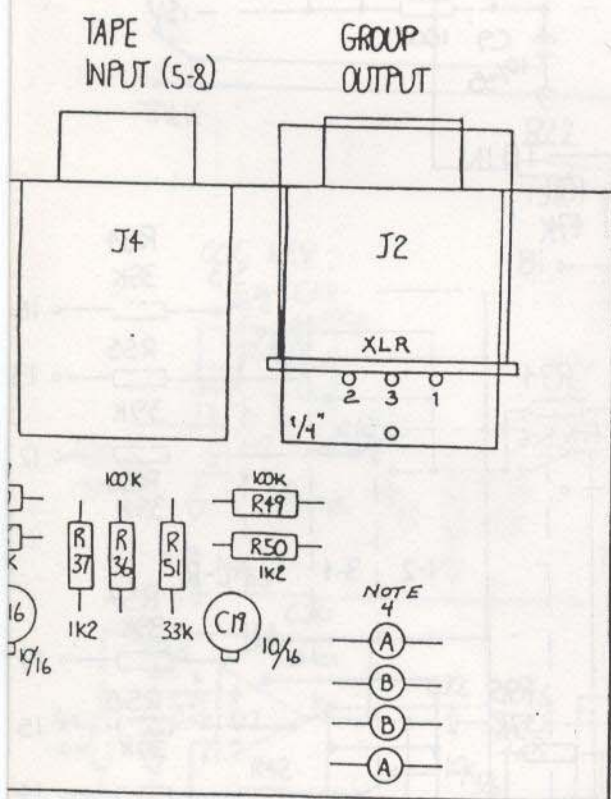
SR GROUP - 2
 PCB AG0171 ISS. 2
 DRAWING No. BW264 ISS. 3



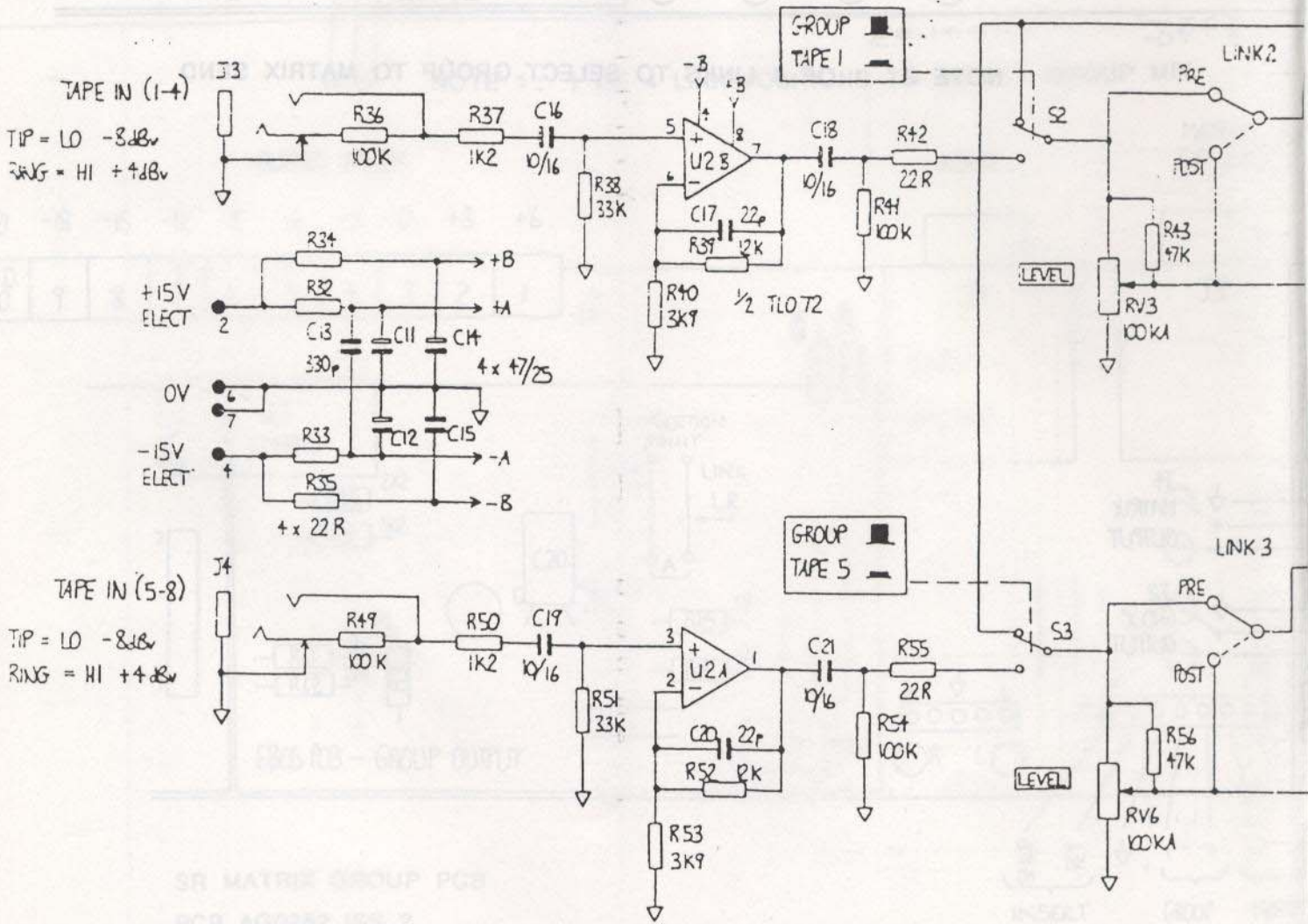
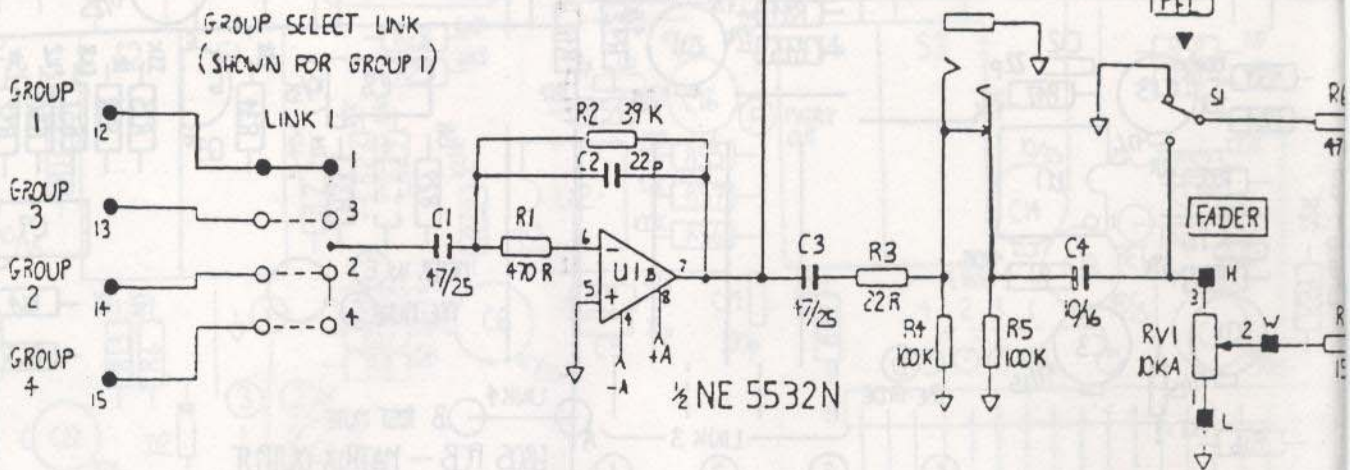
NOTE 2: LINKS 2 & 3 SELECT AUX D SEND PRE OR POST LEVEL CONTROL NORMALLY SET PRE.

NOTE 3: FOR UNBALANCED OUTPUT LINK PIN 6 TO PIN 4, & LINK PIN 7 TO PIN 5 - HI (44 dBv), OR LINK PIN 7 TO PIN 3 - LO (-8 dBv)

NOTE 4: FOR J1 = 1/4" JACK, INSTALL LINKS (A)
 FOR J1 = XLR JACK, INSTALL LINKS (B)
 (PIN 2 HOT)
 FOR J1 = XLR JACK INSTALL LINKS (A)
 (PIN 3 HOT)

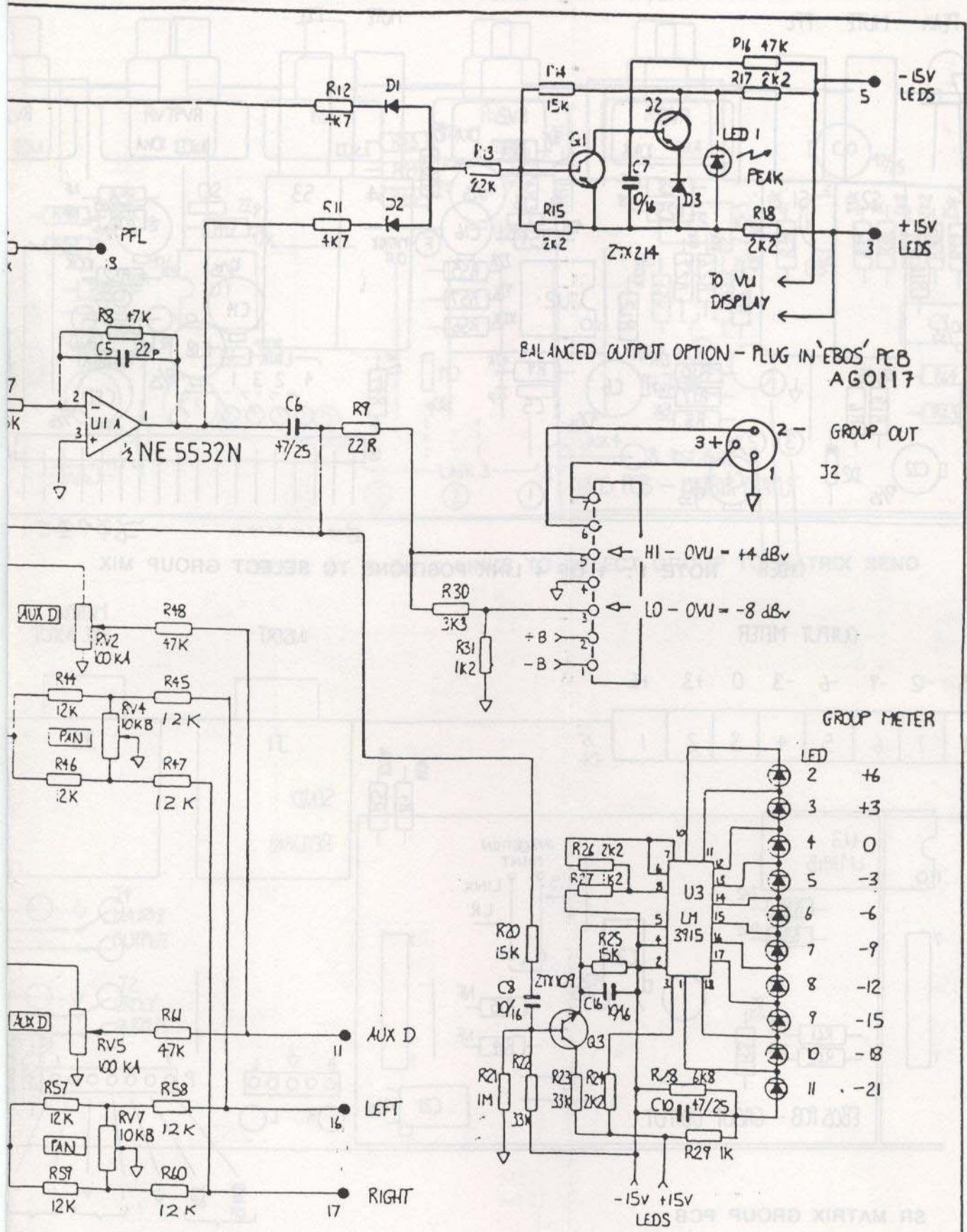


NOTE 4
 (A)
 (B)
 (B)
 (A)



SR MATRIX GROUP PCB
PCB AG0287 ISS. 2
DRAWING NO. BW273 ISS. 2

STANDARD NOTES		MATERIAL		TOLERANCES		FINISH	
ALL DIMENSIONS IN mm				GENERAL 10.25 mm			
DO NOT SCALE DRAWING				HOLE CENTRES 10.15 mm			
THIRD ANGLE PROJECTION				HOLE SIZES 10.10 mm			
REMOVE ALL BURRS & CHAMFER EDGES				UNLESS STATED OTHERWISE			
SCALE							
E.J. VALUE CHANGES R.15, A.1, S.8, A.O.		20-8-87					
C.P. ORIGIN		29-7-81					
DATE		DESIGNED BY					



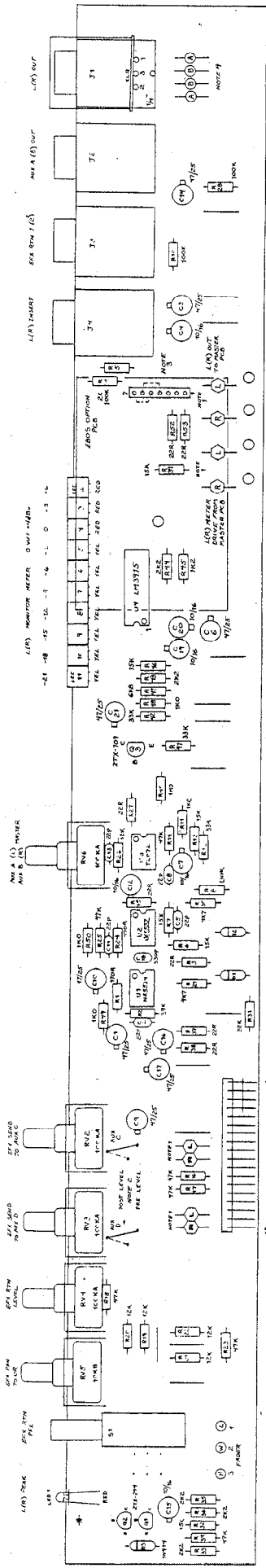
BALANCED OUTPUT OPTION - PLUG IN 'EBOS' PCB AG0117

GROUP METER

NOTES
 ---● IDC PIN
 --> INTERNAL PCB CONN.
 -■ WIRING END
 ALL SWITCHES SHOWN 'OUT'

UNIT TITLE
 SC PLUS. CIRCUIT
 DRAWING TITLE
 M120. PCB. AG0171 ISSUE 2

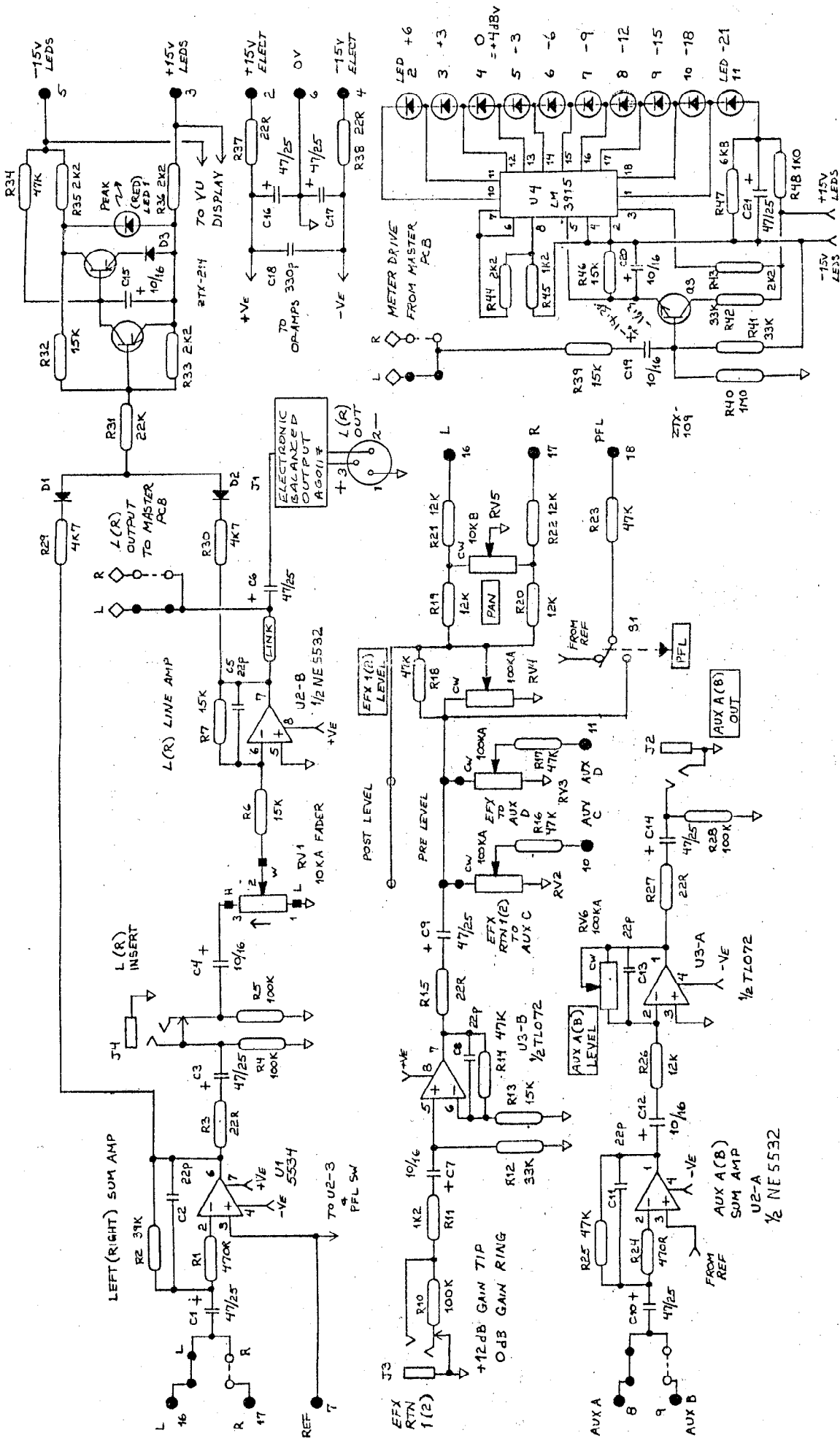
AHB ALLEN & HEWLETT MICROELECTRONICS
 DESIGN DEPT. 5000 AVENUE BOULEVARD, PALO ALTO, CALIF. 94303
 DRAWING NO. 396



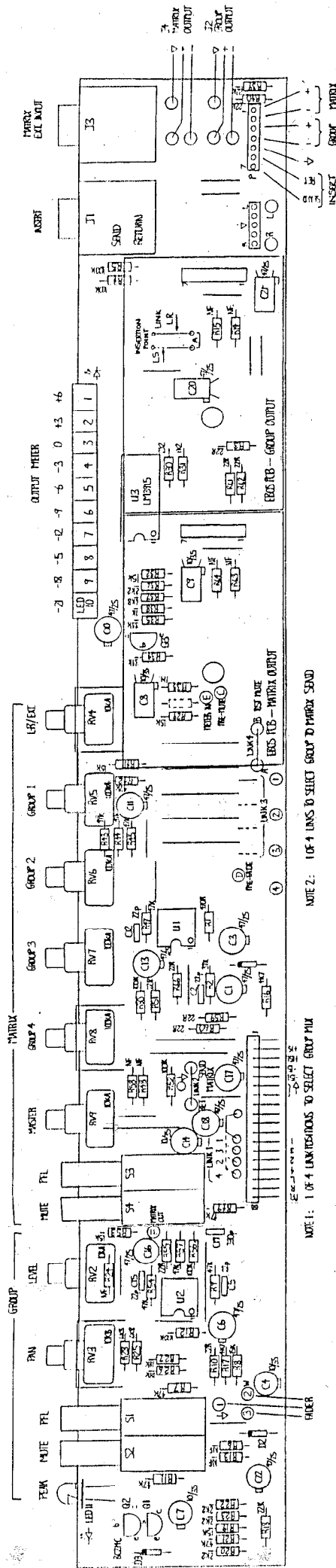
NOTE 1: IN 4 PLACES INDICATED, SELECT JUMPER FOR CONFIG PCB AS L OR R.
 NOTE 2: ALL SIGNALS C'D BY PROOT SET WITH CEM OR SET UP IN LOW OR POSIT. REF. LEVEL.
 WORK SET AS ARE.

INSTALL 4 GROSS BARS BETWEEN
 L, R AND POWER PINS

M150 L(R) PCB AG0112 ISS. 2 DRAWING NO. BW 277 ISS. 1



DRAWING No. 943 ISS. 2		DATE 30-8-89	
APPROVED	JTP	CHECKED	JTP
TRACED	E.T.	DRAWN	E.T.
CIRCUIT DETAIL			
A.H. SC.PLUS			
M150 LEFT/RIGHT PCB AG0112 ISSUE 2			
LAST USED	R 48	D3	
	C 21	LED 11	
	U 4	RV 6	
	Q 3	S 1	
SELECTABLE LINK			
INTERNAL PCB CONN			
WIRING PAD			
ALL DIODES IN 914			
ALL SWITCHES SHOWN IN OUT POSITION			



SR MATRIX GROUP PCB AG0252 ISSUE 2

ALLEN + HEATH

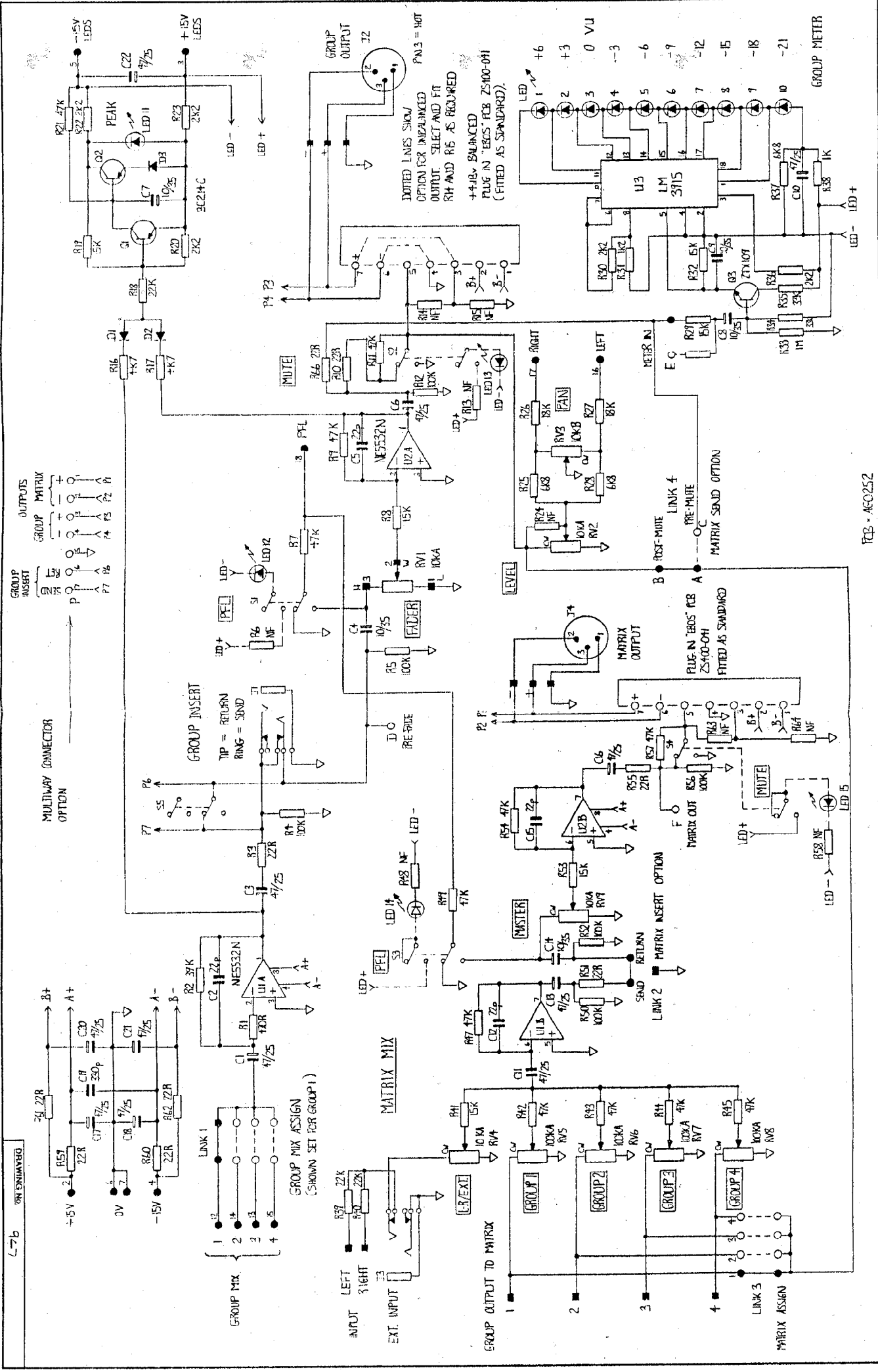
PARIS PLACEMENT S.C. Plus M126 MODULE

DRAWN BY CD 2-1-87

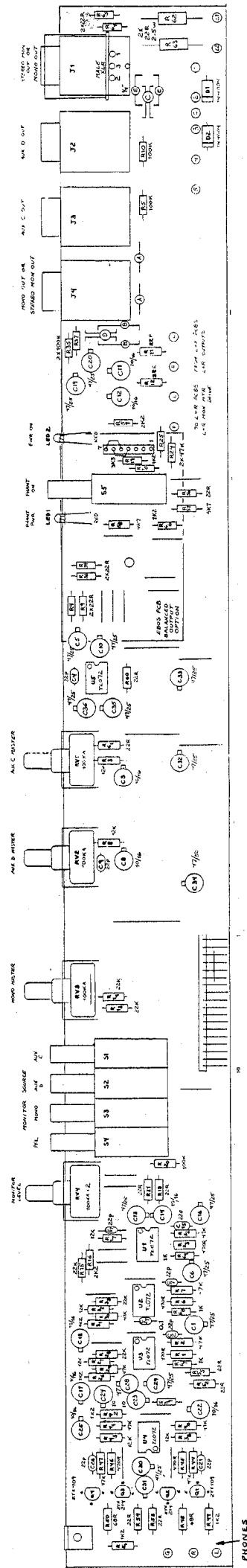
ISS 2

NOTE 1: 1 OF 4 UNITS SHOULD TO SELECT GROUP MIX

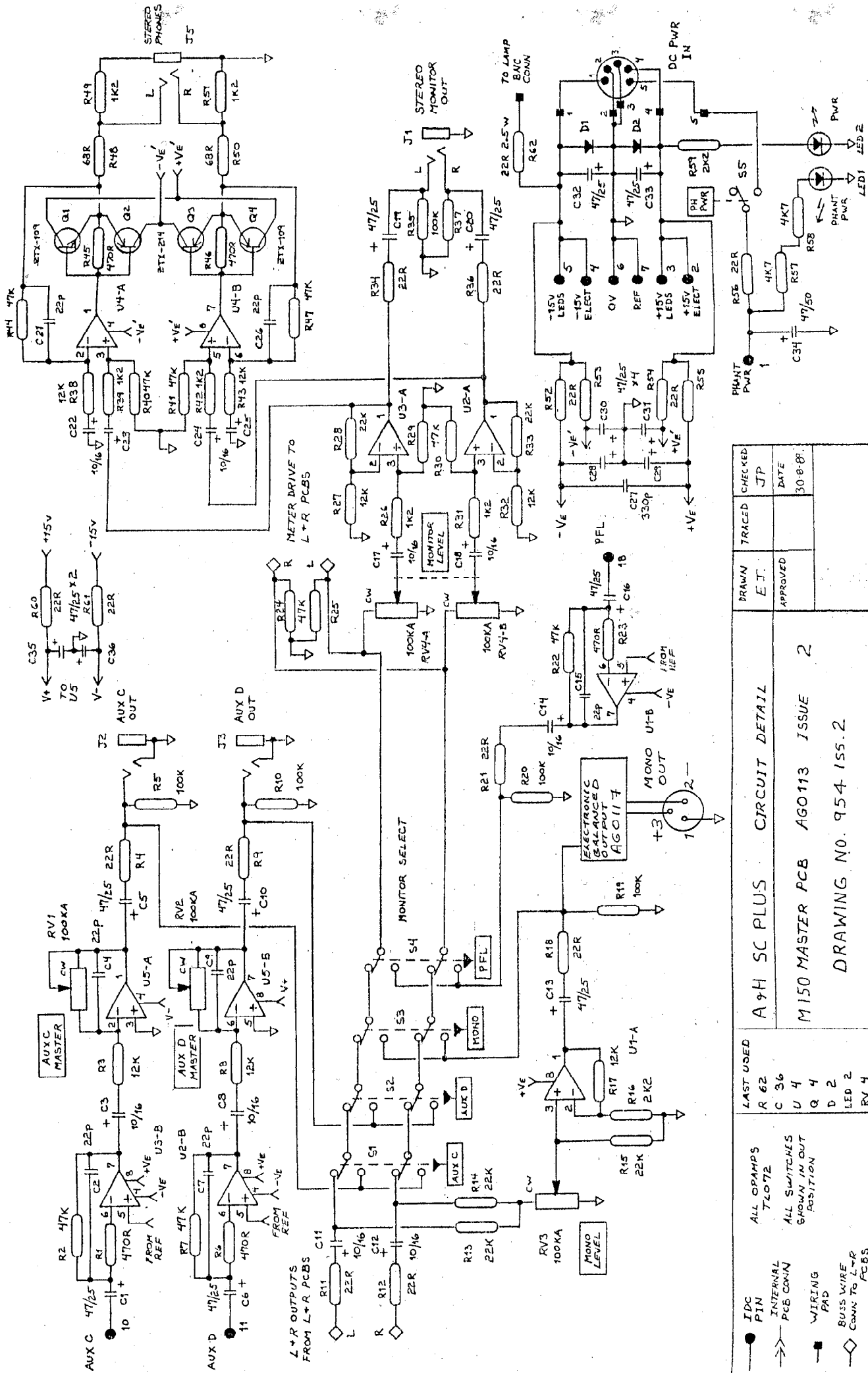
NOTE 2: 1 OF 4 UNITS TO SELECT GROUP TO MATRIX SEND



<p>STANDARD NOTES</p> <p>ALL DIMENSIONS IN MM</p> <p>90° ANGLES TO BE SHOWN</p> <p>REMOVE ALL BURRS & SHARP EDGES</p> <p>SCALE</p>		<p>MATERIAL</p> <p>FINISH</p> <p>TOLERANCES</p> <p>GENERAL 10.25 mm</p> <p>HOLE CENTRES 10.15 mm</p> <p>HOLE SIZES 10.10 mm</p> <p>UNLESS STATED OTHERWISE</p>		<p>NOTES</p> <p>IC (IN) SELECTABLE LINK</p> <p>INTERNAL DIODES - IN-M48</p> <p>WIRING PD</p> <p>ALL SWITCHES SHOWN 'OUT'</p>		<p>UNIT TITLE</p> <p>SC PLUS SERIES CIRCUIT DETAIL</p> <p>DRAWING TITLE</p> <p>MATRIX GROUP M126</p>		<p>ALLEN + HEATH</p> <p>KEPARK INDUSTRIAL ESTE TEL. 0526 72070</p> <p>EXON FAX. 0524 77097</p> <p>CHORWALL TRAO 9111 DRAWING N.O. 9477 ISSUE 2</p>	
REV	DATE	BY	CHKD	DATE	BY	CHKD	DATE		
01	01/01/80	J. L. ST	H. J. ST						
02	01/01/80	J. L. ST	H. J. ST						



M150 MASTER PCB AG013 ISS 2
 DRAWING NO BW 278 ISS. 1



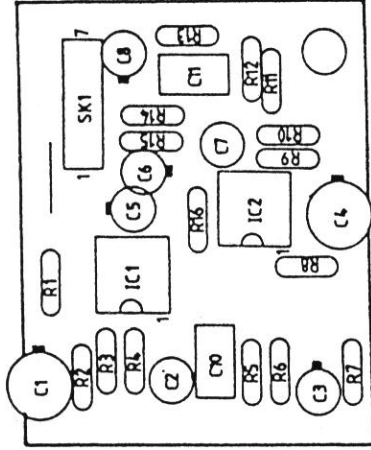
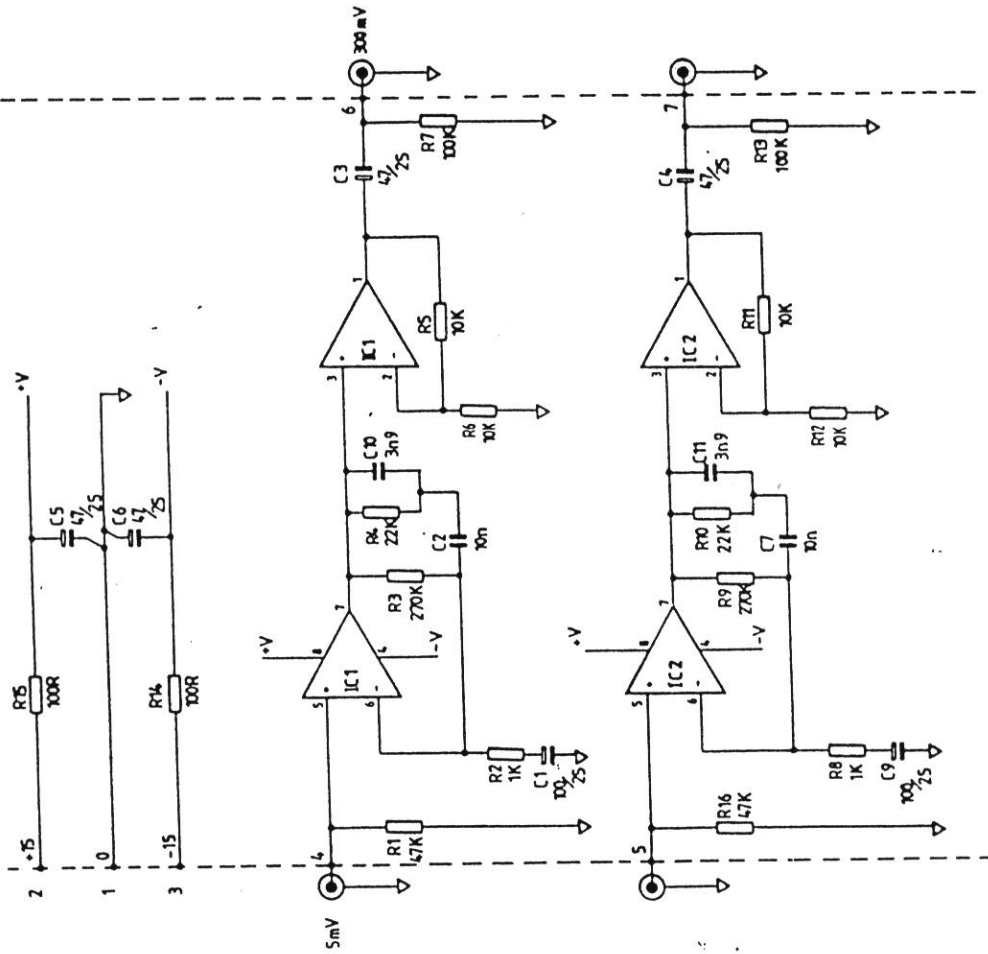
DRAWN	E.T.	TRACED	J.P.	CHECKED	J.P.
APPROVED				DATE	30-8-81

A9H SC PLUS CIRCUIT DETAIL

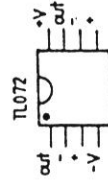
M150 MASTER PCB AGO113 ISSUE 2

DRAWING NO. 954-155.2

LAST USED	R 62	ALL OPAMPS
	C 36	74072
	U 4	ALL SWITCHES
	Q 4	SHOWN IN OUT
	D 2	POSITION
	LED 2	
	RV 4	BUSS WIRE
	S 5	CONN TO L-R
		FCB5



RIAA COMPONENT OVERLAY



CAPACITORS SHOWN VALUE/VOLTAGE

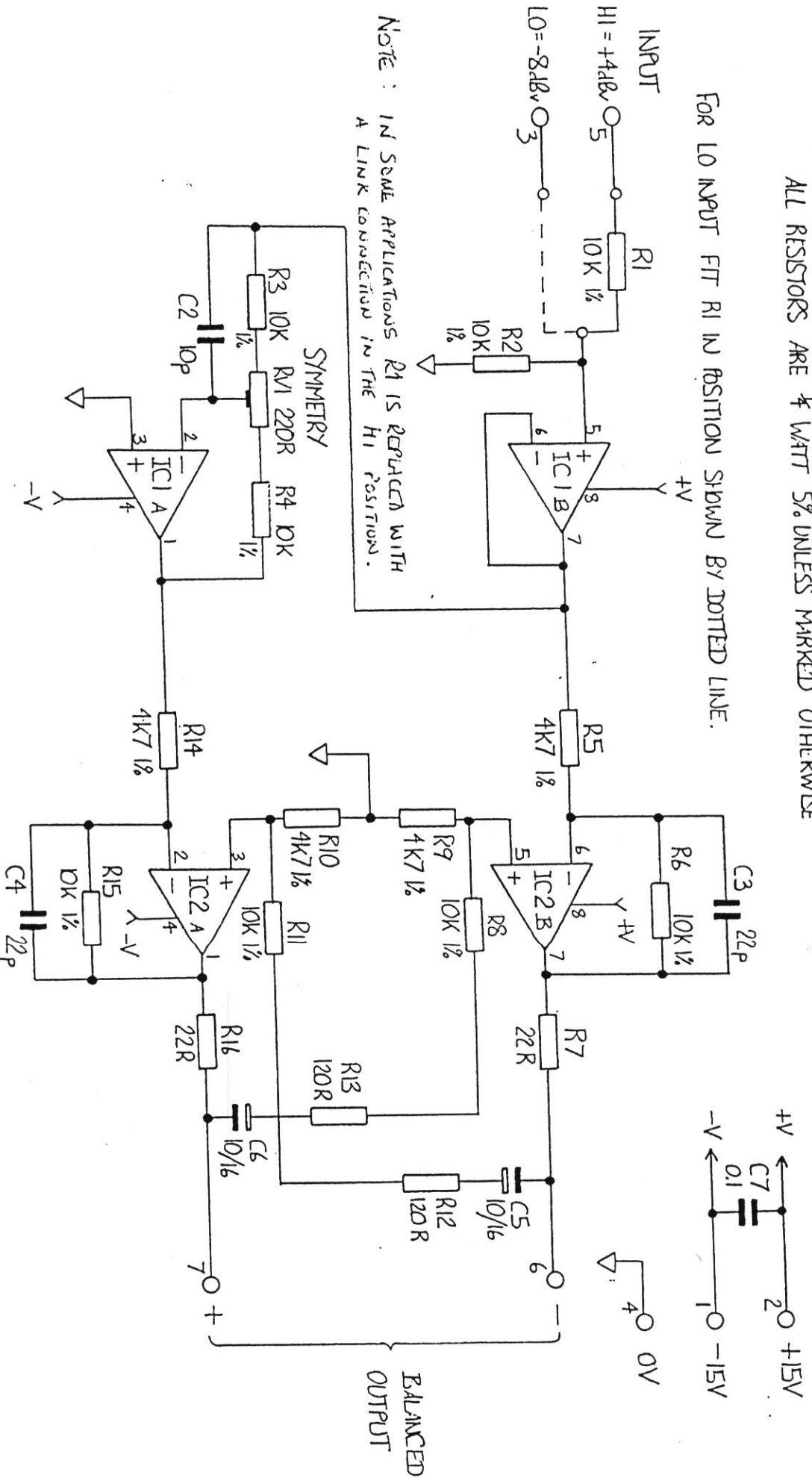
AHB
69 SHIP STREET,
BRIGHTON
BN1 1AE
Tel 0273 233446

CMC SERIES, SC PLUS
RIAA EQUALISED PRE-AMP
RIAA PCB AG002.iss 1

DRAWN	TRACED	CHECKED	APPROVED	DATE	SCALE
GHR	KRP	TR		26.2.85	
DRAWING No. MBD111 ISS 2					
ALTERATIONS					
ORIGIN	26.2.85				
DESCRIPTION	CHECKED DATE				

ALL RESISTORS ARE 1/4 WATT 5% UNLESS MARKED OTHERWISE

FOR LO INPUT FIT R1 IN POSITION SHOWN BY DOTTED LINE.



NOTE : IN SOME APPLICATIONS R1 IS REPLACED WITH A LINK CONNECTION IN THE HI POSITION.

G H B
 ALLEN & HEATH BRENNELL LTD
 PROFESSIONAL AUDIO EQUIPMENT MANUFACTURERS
 DESIGN DEPT. 68, SHIP STREET, BROMFORD BR1 1UE
 FACTORY, KENWOOD INDUSTRIAL EST, PENHON, CORNWALL PL13 2JL

DRAWING No. A137
 Issue 2

TITLE
 EBOS - OPTION PCB CIRCUITS
 ELECTRONICALLY BALANCED OUTPUT SYSTEM
 DRAWN BY CD 297-86

PCB TYPE AG0117 ISSUE 2
 DRG. No. A137 ISSUE 2