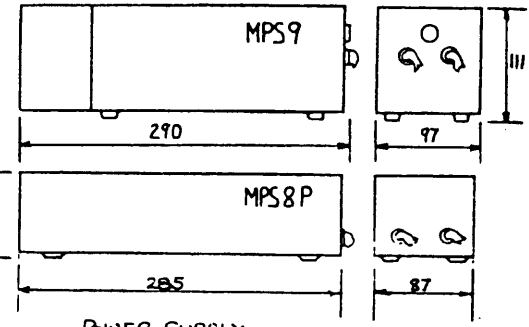
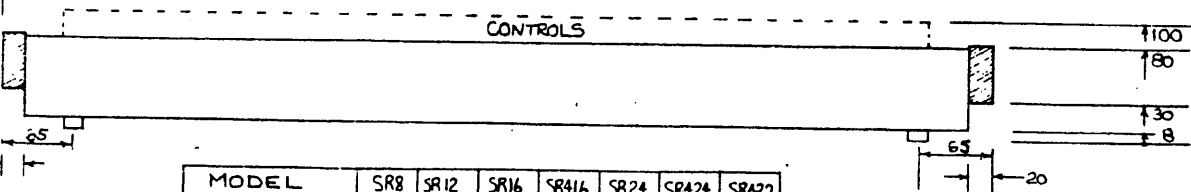
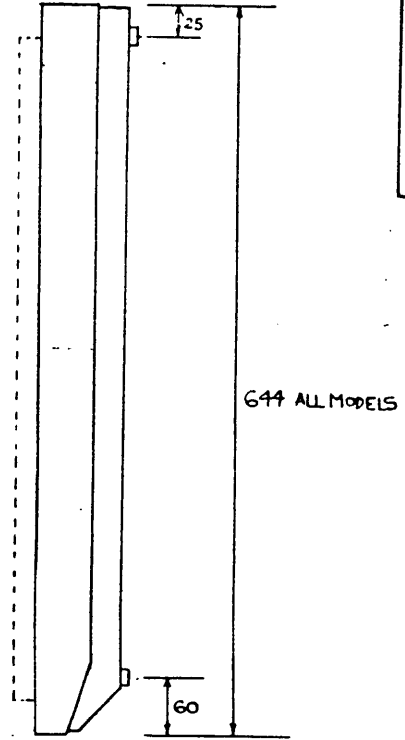
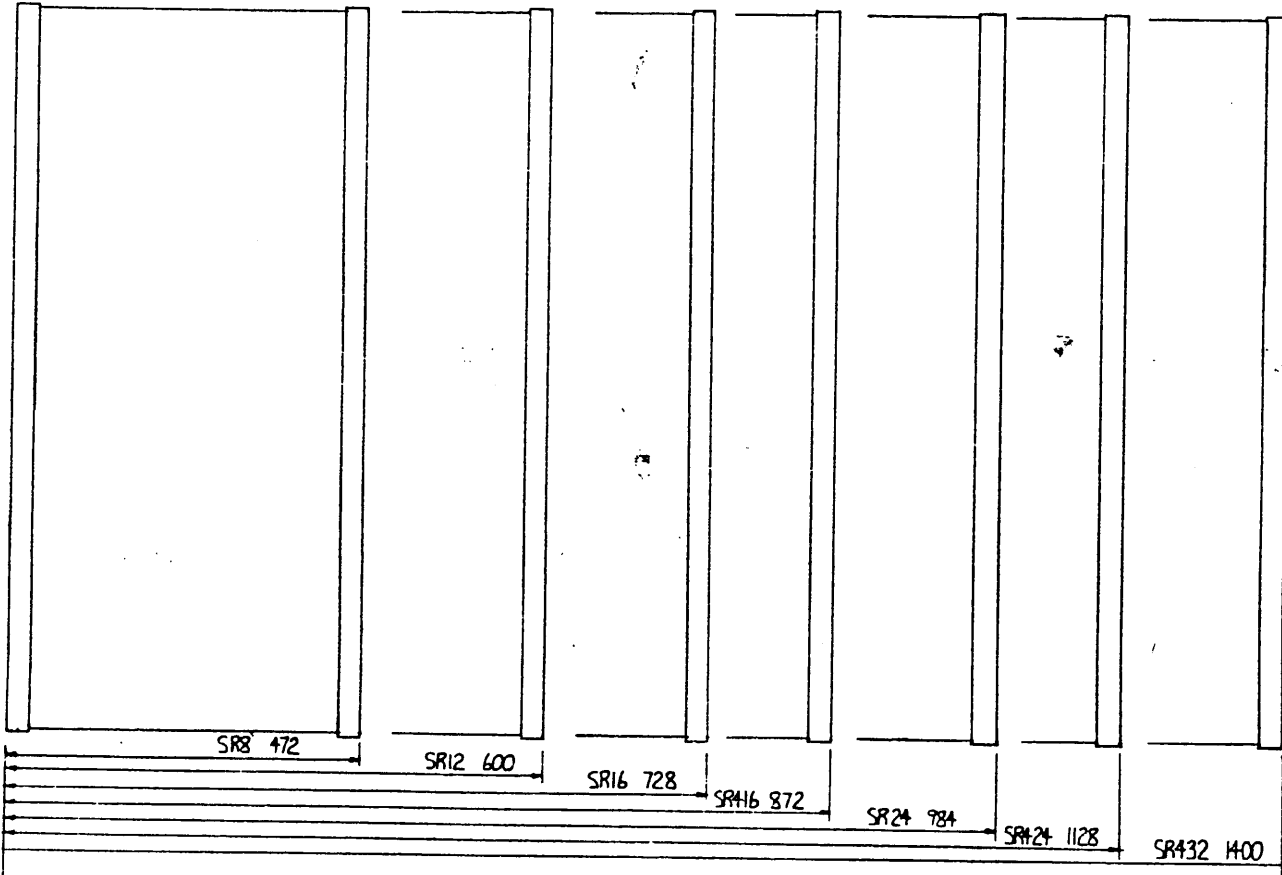


Effective from serial number 501001 onwards.

This manual includes operating and service information for all models of the SR Series currently in production. Where differences between models exist, such as four bus and two bus models, this is indicated in the text.

CONTENTS	PAGE
Online version PART 1	
INTRODUCTION	Specification 3
	Service & Guarantee Info 4
	Electronic Performance 5
PANEL CONTROLS	Input Channel 6
	Group Channel 8
	Output Section 9
	Master Section 10
USE OF FACILITIES	Input Channel 11
	Group Channel 17
	Output Section 18
	Master Section 19
	Recording with the SR range 21
Online version PART 2	
INSTALLATION	Connexions 22
	Connexion Diagrams 25
	Earthing 28
	AC Supply Voltages 29
Online version PART 3	
USER CONFIGURED OPTIONS	Access to Mixer Circuits 30
	Service Notes 31
	Phantom Power 32
	Aux Send - Input Channel 33
	Fx Return 34
	Electronically Balanced O/Ps - Groups 35
	Stereo 36
	Mono 37
Online version PART 4	
SERVICE INFORMATION	Spare Parts List 38
	Dimensions Diagrams
	Schematic Diagrams
	Block Diagram

PSU not included in public version of document



MODEL	SR8	SR12	SR16	SR416	SR24	SR424	SR432
SHIPPING WEIGHT PACKED, INCL PSU	18 kg	21 kg	23 kg	28 kg	31 kg	34 kg	

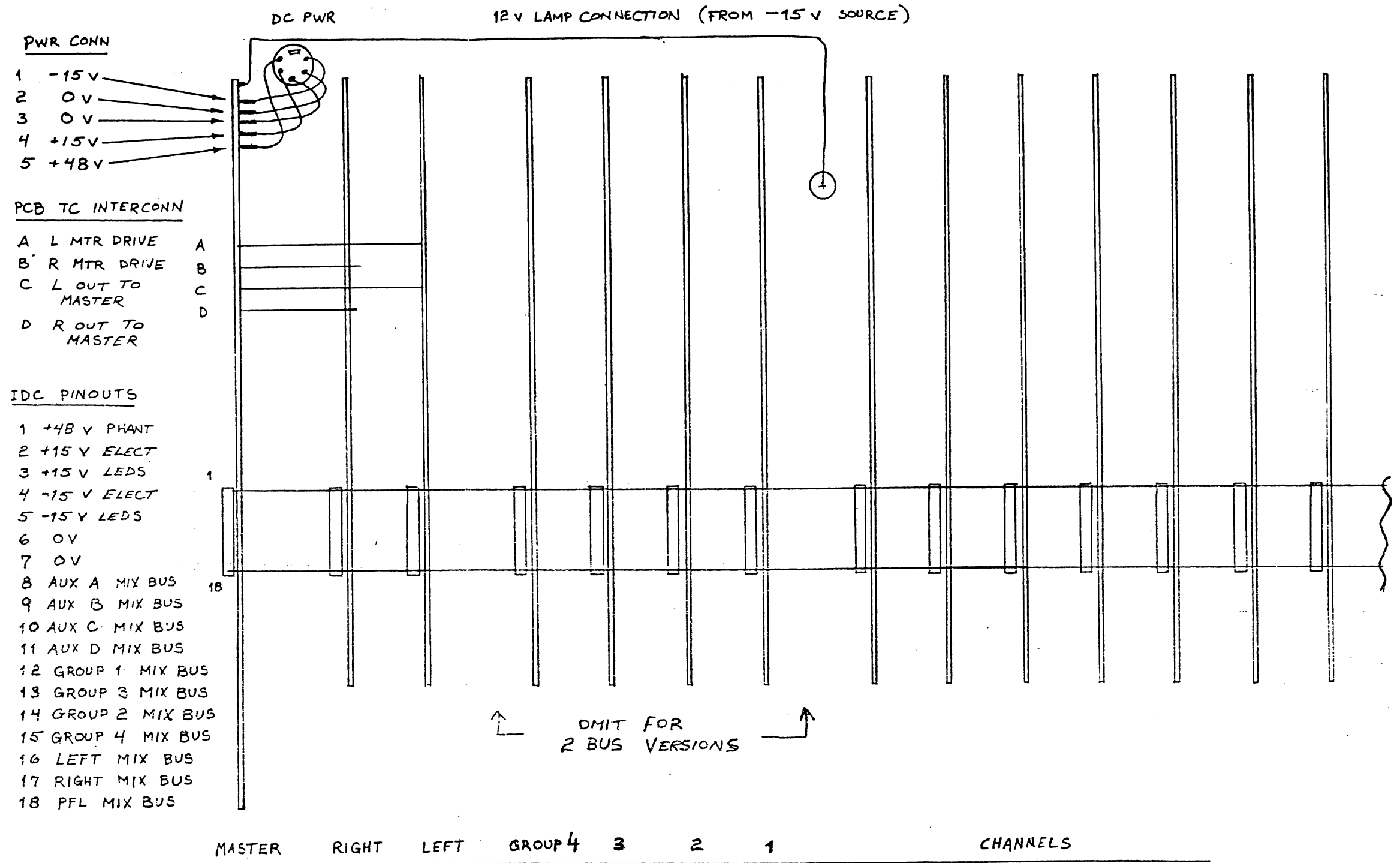
No.	DESCRIPTION	CHKD	DATE
1	ADD SR12 AND SR432 AND MPS9	CP	24-7-86
ALTERATIONS			

AHB SR SERIES

DIMENSIONS (millimetres)

DRAWN	TRACED	CHECKED	APPROVED	DATE	SCALE
R		R	CP	14. 11.84	

DRAWING No. 395 rev. 2



PWR CONN

- 1 -15V
- 2 0V
- 3 0V
- 4 +15V
- 5 +48V

PCB TC INTERCONN

- A L MTR DRIVE
- B R MTR DRIVE
- C L OUT TO MASTER
- D R OUT TO MASTER

IDC PINOUTS

- 1 +48V PHANT
- 2 +15V ELECT
- 3 +15V LEDES
- 4 -15V ELECT
- 5 -15V LEDES
- 6 0V
- 7 0V
- 8 AUX A MIX BUS
- 9 AUX B MIX BUS
- 10 AUX C MIX BUS
- 11 AUX D MIX BUS
- 12 GROUP 1 MIX BUS
- 13 GROUP 3 MIX BUS
- 14 GROUP 2 MIX BUS
- 15 GROUP 4 MIX BUS
- 16 LEFT MIX BUS
- 17 RIGHT MIX BUS
- 18 PFL MIX BUS

MASTER RIGHT LEFT GROUP 4 3 2 1 CHANNELS

↑ OMIT FOR ↓
2 BUS VERSIONS

A.C. input fuse **D.C. output**
 110v 240v
 1.25" 20mm
 3 A.T. 1 A.T.



POWER SUPPLY RPS1



POWER SUPPLY MODEL RPS1
 made in England by **AHB**
 AC input 50/60Hz set for [] V
CAUTION high voltage hazard.
 Disconnect AC supply before
 removing covers.
 Fuse on front panel.
 DC ground not connected
 to AC earth.

DC outputs, total current

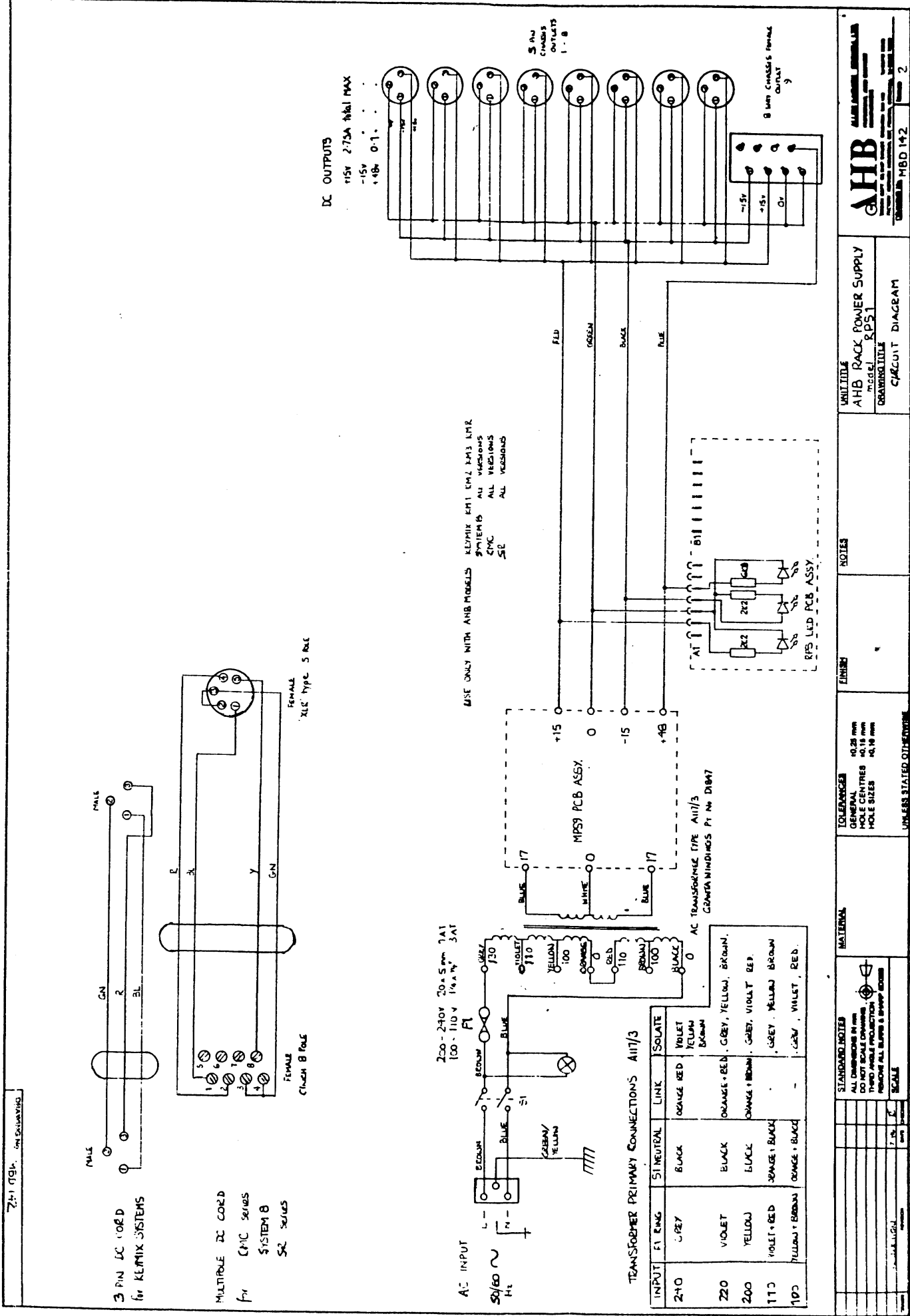
(5)	(6)	(7)	(8)
(1)	(2)	(3)	(4)
(2)	(1)	(3)	(4)
(2)	(1)	(3)	(4)

+15V 2.75A (2)
 -15V 2.75A (1)
 0V (3)
 +48V 0.1A N/A (4)

serial no. []

POWER SUPPLY SERIAL No. []
 TYPE **MPS 9** - []
 OUTPUT A + 15 V.DC 2.5 A MAX
 OUTPUT B + 48 V.DC 0.15 A MAX
WARNING HIGH VOLTAGE INSIDE!
 MAINS INPUT [] V.A.C. 50/60 Hz
FUSE [] A
AHBLTD, LONDON, ENGLAND

NOMINAL MAINS INPUT	RANGE	FUSE RATING - TYPE	TERRITORY
240 V.AC	235 - 245 V.AC	1 AT 20x5 mm	U.K.
220 V.AC	210 - 230 V.AC	1 AT 20x5 mm	Europe/Ireland
110 V.AC	105 - 120 V.AC	3 AT 1 1/4 x 1/4"	America
100 V.AC	96 - 106 V.AC	3 AT 1 1/4 x 1/4"	Japan



AHB **ALUMINUM INDUSTRIES**
 MBD 142 Page 2

UNIT TITLE
 AHB RACK POWER SUPPLY

DESIGN TITLE
 RPS1

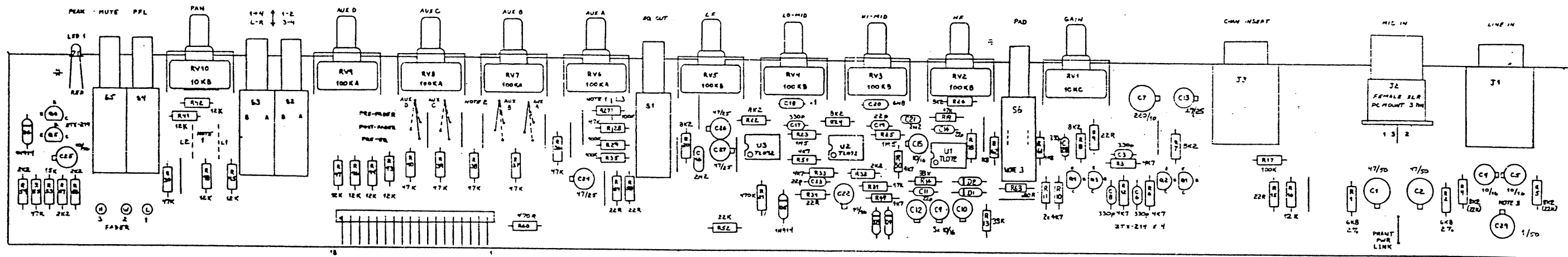
CIRCUIT DIAGRAM

NOTES

TOLERANCES
 UNLESS STATED OTHERWISE

MATERIALS

SCALE



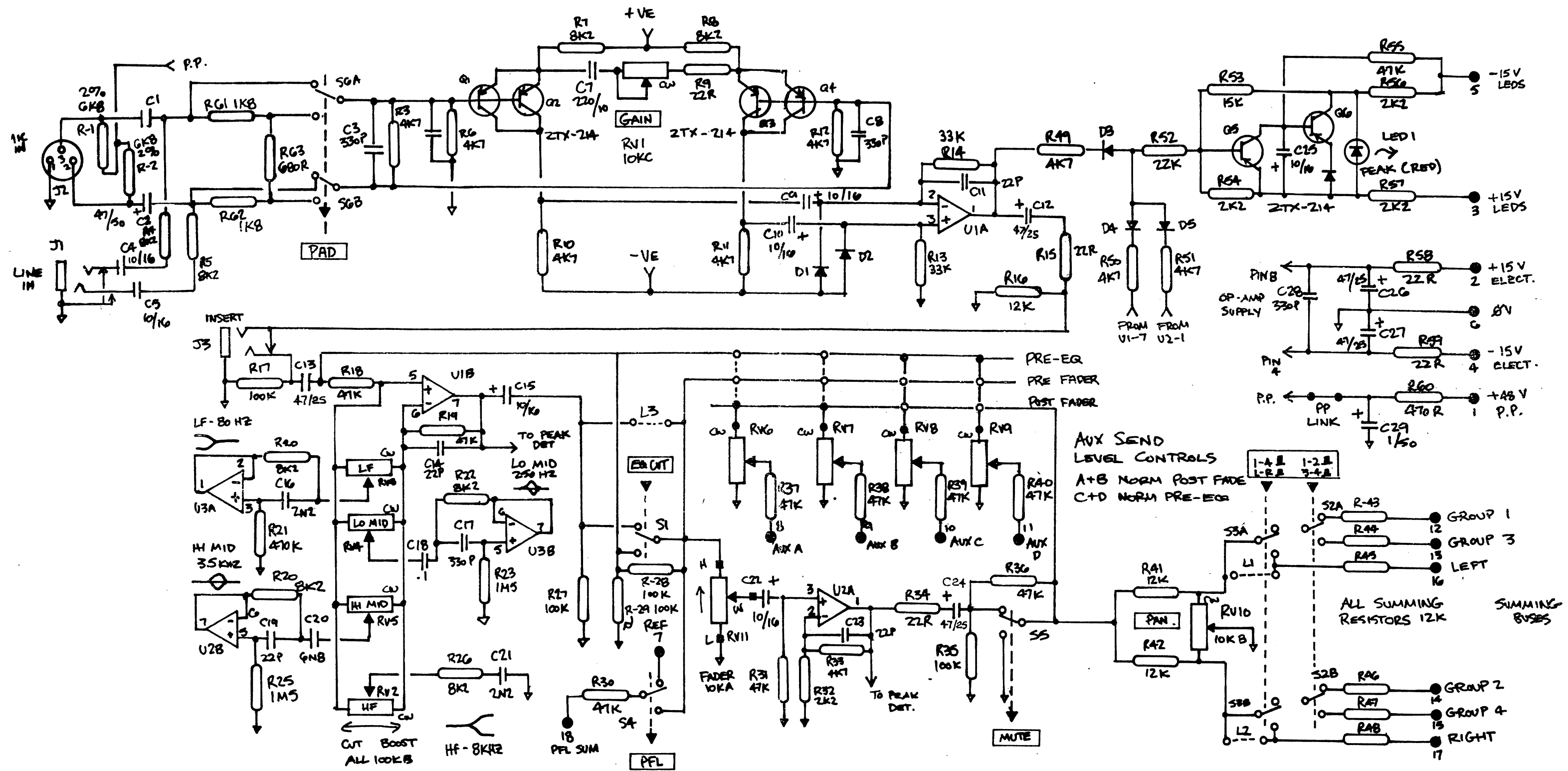
NOTE 1: DIAGRAM IS FOR 4-BUSS INPUT. FOR 2 BUSS OMIT THE FOLLOWING PARTS AND INSTALL 3 JUMPERS WHERE NOTED
 OMIT: R27, R28, R35, R43, R44, R46, R47
 REPLACE R36 WITH JUMPER
 OMIT: S1, S2, S3, S5
 INSTALL LINKS L1, L2, L3

NOTE 2: AUX SENDS CAN BE SET FOR PRE-EQ, PRE-FADER, OR POST-FADER (NON SENDS)
 NORM COMPIS IS AS SHOWN
 AUX A-B POST-FADER (EPI SENDS)
 AUX C-D PRE-EQ (NON SENDS)

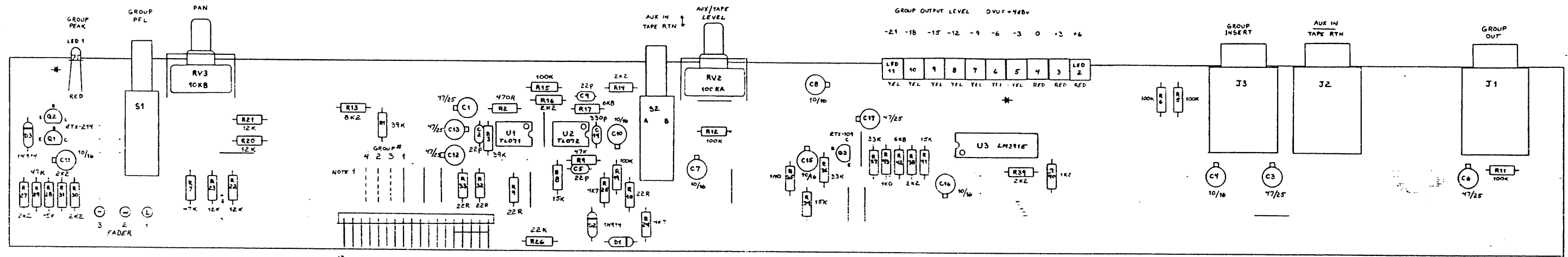
NOTE 3: DIAGRAM IS FOR CHANNEL WITH PED SWITCH FOR CHANNEL WITHOUT PED SWITCH OMIT R4, R2, R3, S6 AND INSTALL 2 JUMPERS WHERE NOTED. REPLACE R4 AND R5 WITH 22K RESISTORS.

AHB SR INPUT AG0110 PARTS PLACEMENT 2:1 ISSUE 3

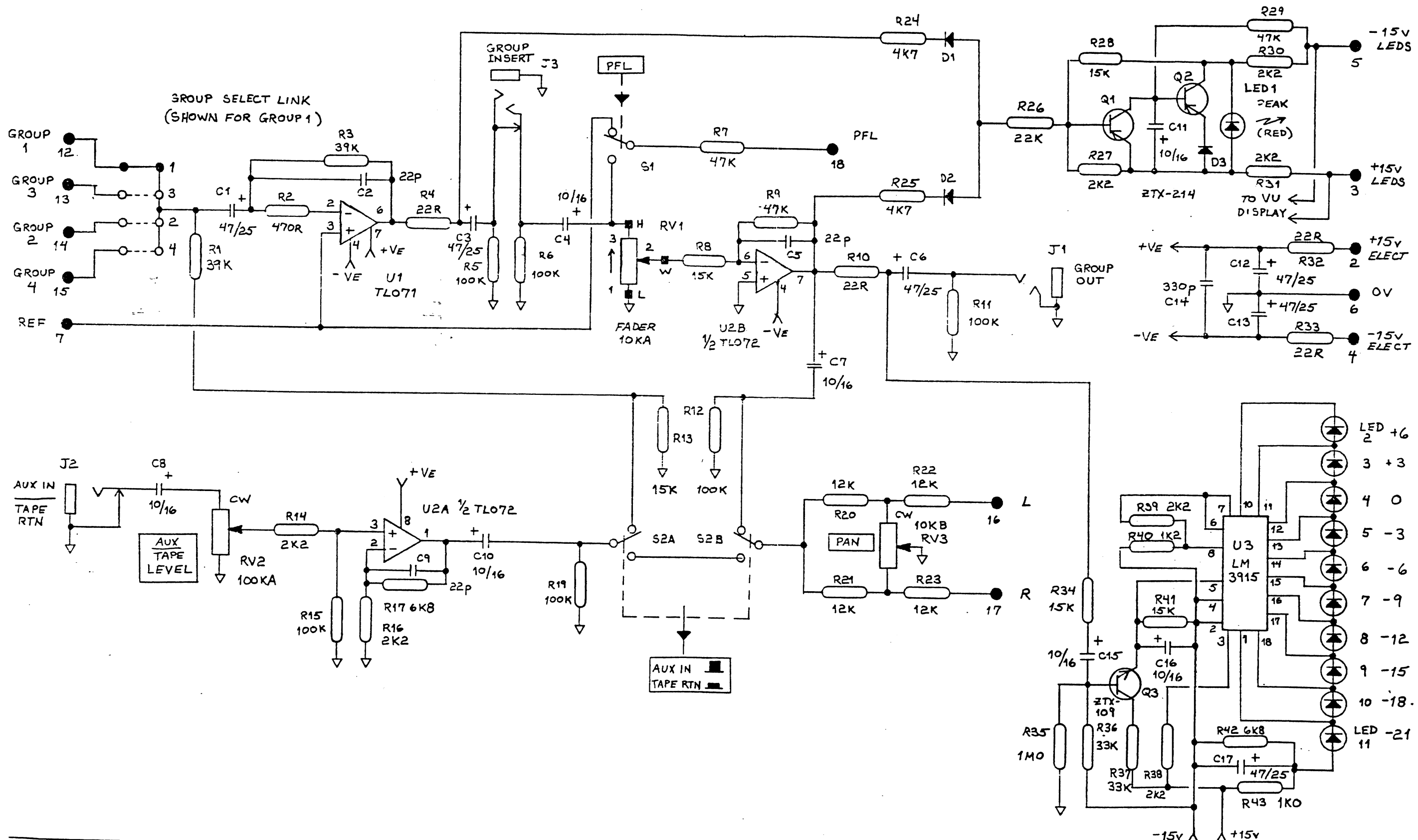
JRP 4/87



● IPC PIN	○ SELECTABLE LINK	LAST USED	AHB SR SERIES CIRCUIT DETAIL				DRAWN KT/JP	TRACED KT	CHECKED JP	APPROVED	DATE
⇒ INTERNAL PCB CONN.	ALL DIODES IN4148 ALL OPAMPS TLO-72 ALL SWITCHES SHOWN IN "OUT" POS.	R-63 C29 U3 G6	D5 LED1 RV11 SG	SR INPUT PCB MK 2 VERSION				ISSUE 1			
■ WIRING PAD				SHOWN FOR 4 BUS VERSION. FOR 2 BUS OMIT R27, R28, R35, R43, R44, R46, R47, S1, S2, S3, S5 REPLACE R36 WITH LINK, INSTALL LINKS L1, L2, L3							



NOTE 1: 1 OF 4 JUMPERS TO SELECT GROUP #

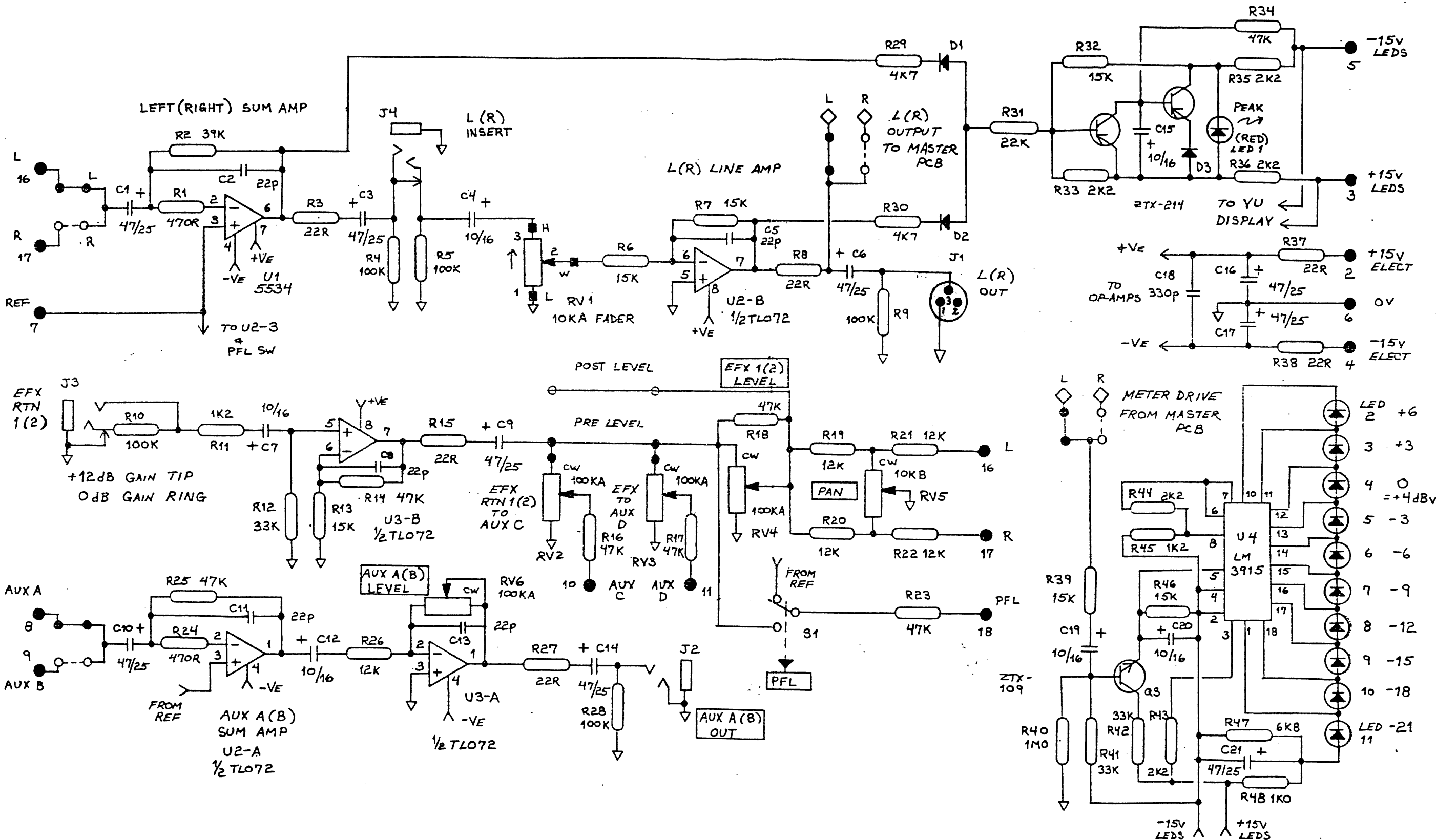


- IDC PIN
 - INTERNAL PCB CONN
 - WIRING PAD
 - SELECTABLE LINK
 - ▲ ALL DIODES 1N914
- ALL SWITCHES SHOWN IN OUT POSITION
- | LAST USED | |
|--------------|--------|
| R 43 | D 3 |
| C 17 | LED 11 |
| U 3 | RV 3 |
| Q 3 | S 2 |
| NOT USED P.9 | |

AHB SR SERIES CIRCUIT DETAIL

SR SUBGROUP PCB AG0111 ISSUE 1

DRAWN JP	TRACED	CHECKED JP	APPROVED	DATE 8/84
----------	--------	------------	----------	-----------

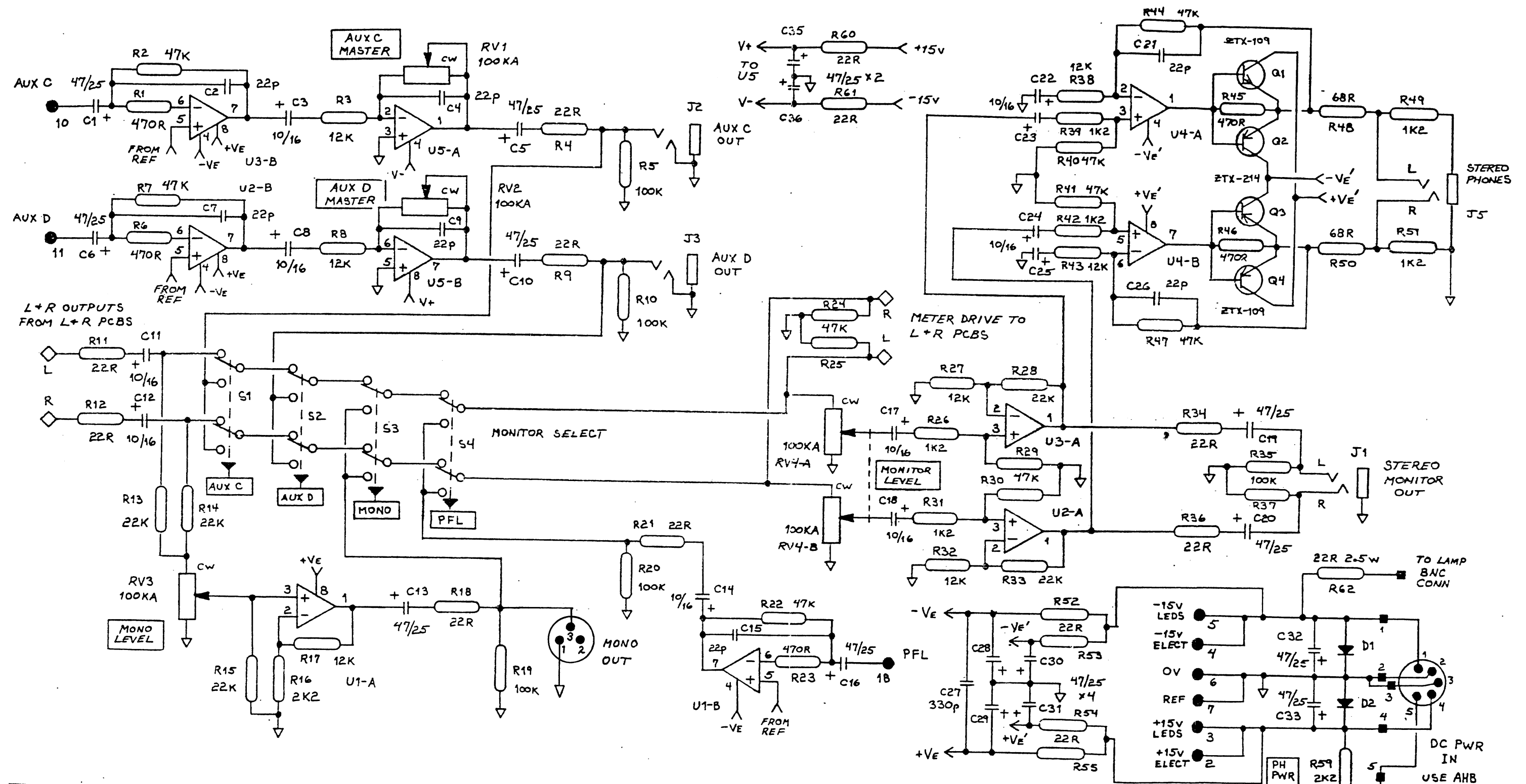


● IDC PIN
 → INTERNAL PCB CONN
 ■ WIRING PAD
 ● SELECTABLE LINK
 ◇ BUS WIRE CONN TO MASTER PCB
 ALL DIODES 1N914
 ALL SWITCHES SHOWN IN OUT POSITION

LAST USED	
R 48	D3
C 21	LED 11
U 4	RV 6
Q 3	S 1

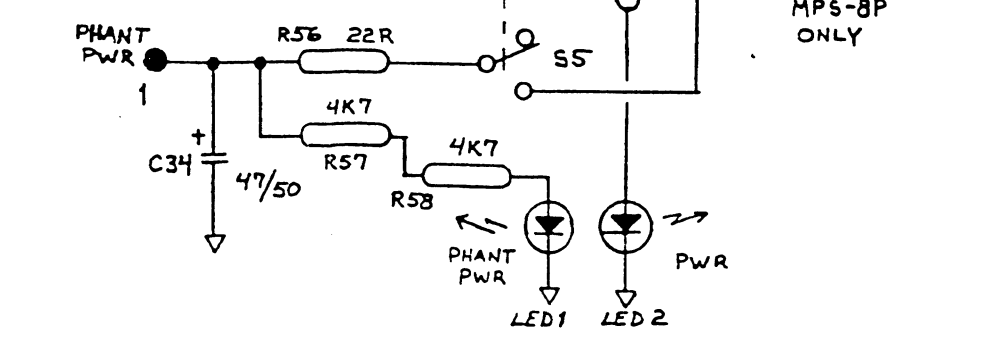
AHB SR SERIES CIRCUIT DETAIL
 SR+ LEFT/RIGHT PCB AG0112 ISSUE 2
 SRC

DRAWN	TRACED	CHECKED	APPROVED	DATE
JP		JP		25/2/88

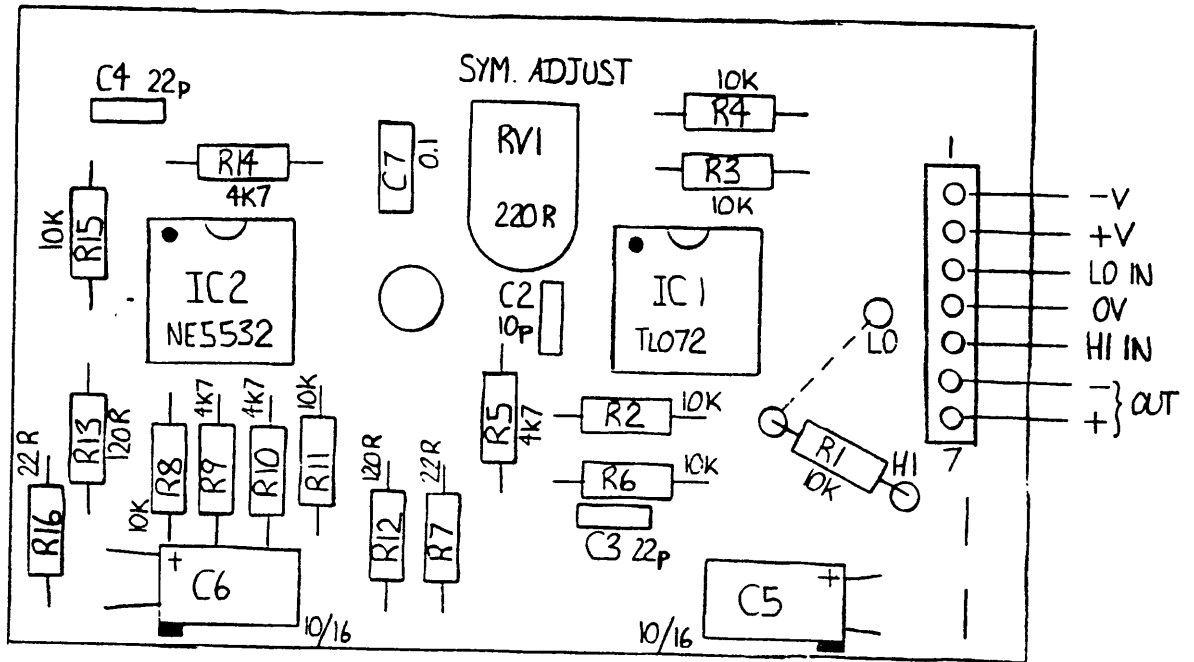


- IDC PIN
 - INTERNAL PCB CONN
 - WIRING PAD
 - ◇ BUSS WIRE CONN TO L+R PCBs
- ALL OPAMPS TLO72
ALL SWITCHES SHOWN IN OUT POSITION
- LAST USED
R 62
C 36
U 4
Q 4
D 2
LED 2
RV 4
S 5

AHB SR SERIES CIRCUIT DETAIL			DRAWN	TRACED	CHECKED
SR+ MASTER PCB AGO113 ISSUE 2			JP		JP
SRC			APPROVED		DATE
					25/2/88



EBOS COMPONENT SIDE AG0117 ISSUE 2



AHB

ALLEN & HEATH BRENNELL LTD.

PROFESSIONAL AUDIO EQUIPMENT
MANUFACTURERS

DESIGN DEPT 69, SHIP STREET, BRIGHTON BN1 1AE

Tel (0273) 24928

FACTORY KERNICK INDUSTRIAL EST PENRYN, CORNWALL. Tel (0326) 72070

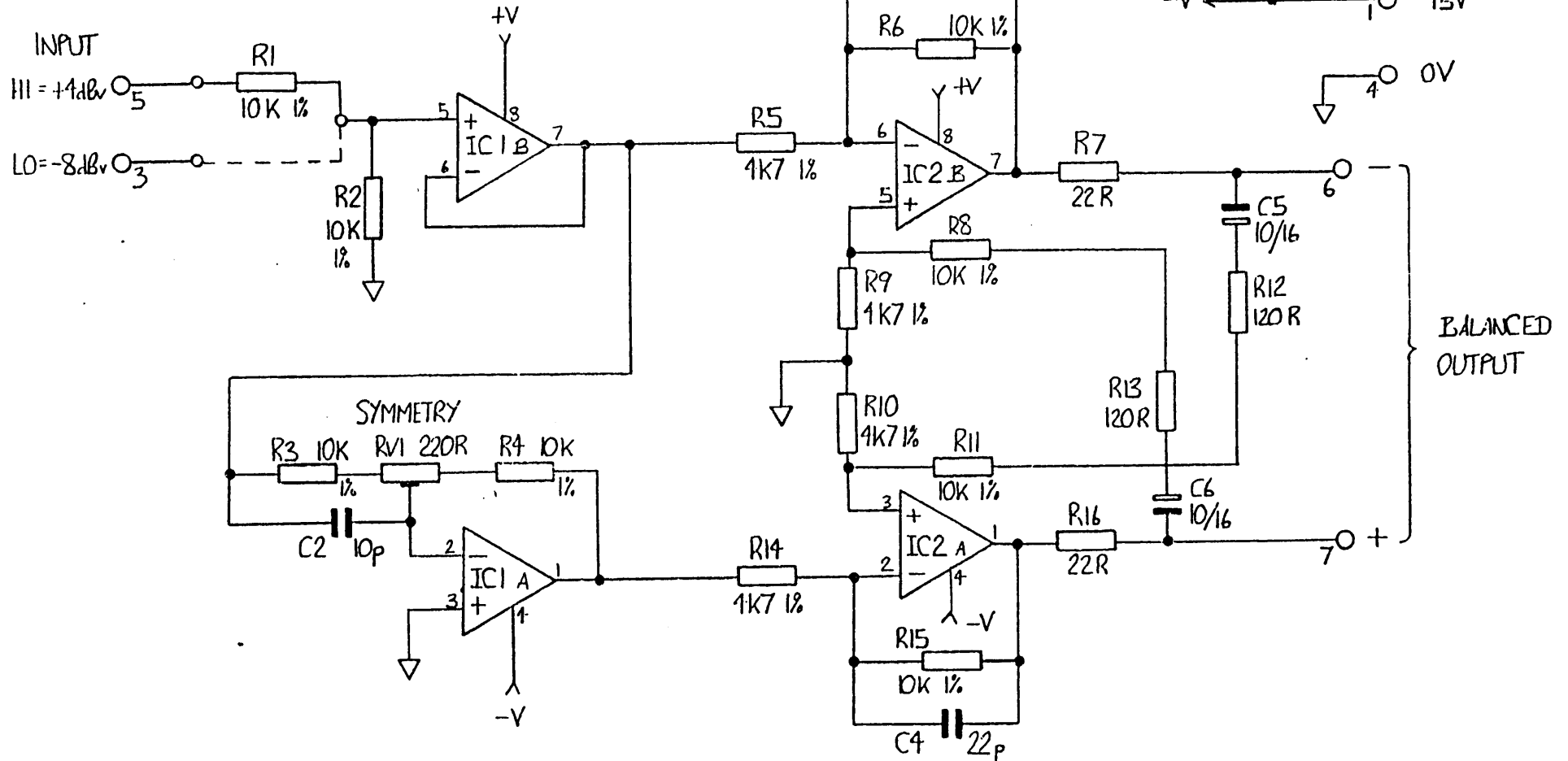
DRAWING No.

BW 192

Issue 2

ALL RESISTORS ARE 1/4 WATT 5% UNLESS MARKED OTHERWISE

FOR LO INPUT FIT R1 IN POSITION SHOWN BY DOTTED LINE.



AHB

ALLEN & HEATH BRENELL LTD.
 PROFESSIONAL AUDIO EQUIPMENT
 MANUFACTURERS

'DESIGN DEPT' 64, SHIP STREET, BRIGHTON BN1 1AE Tel 0273 24928
 'FACTORY' KERMOCK INDUSTRIAL EST, PENRYN, CORNWALL Tel 03264 72070

DRAWING No. A137 Issue 2

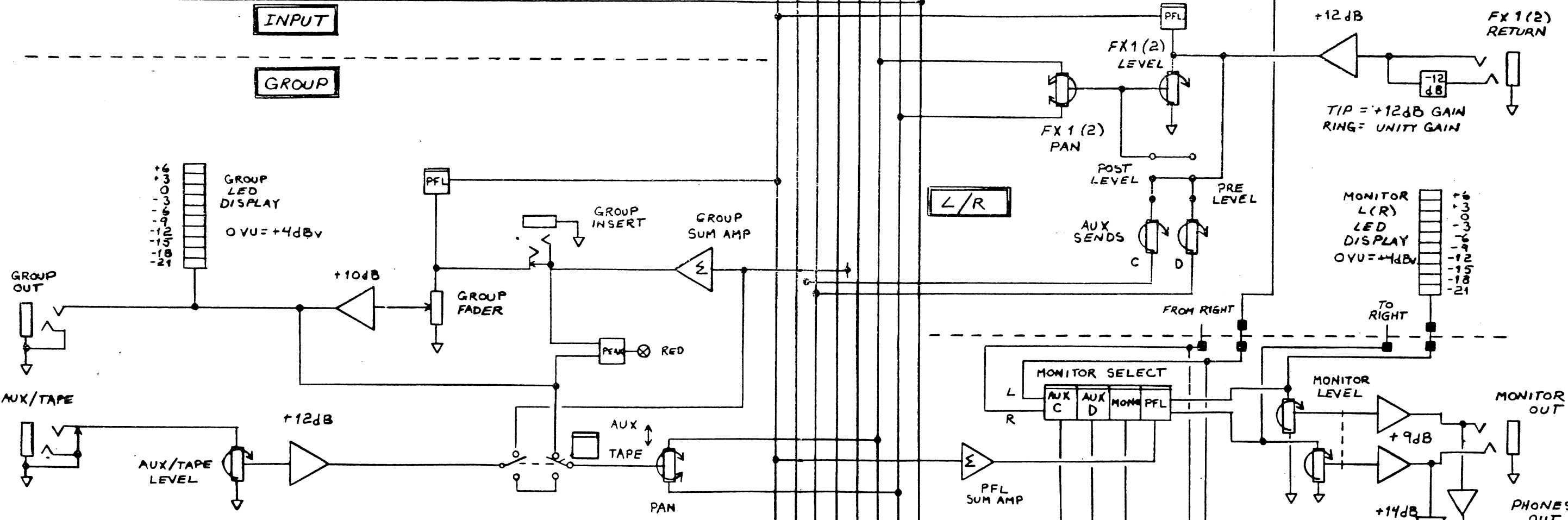
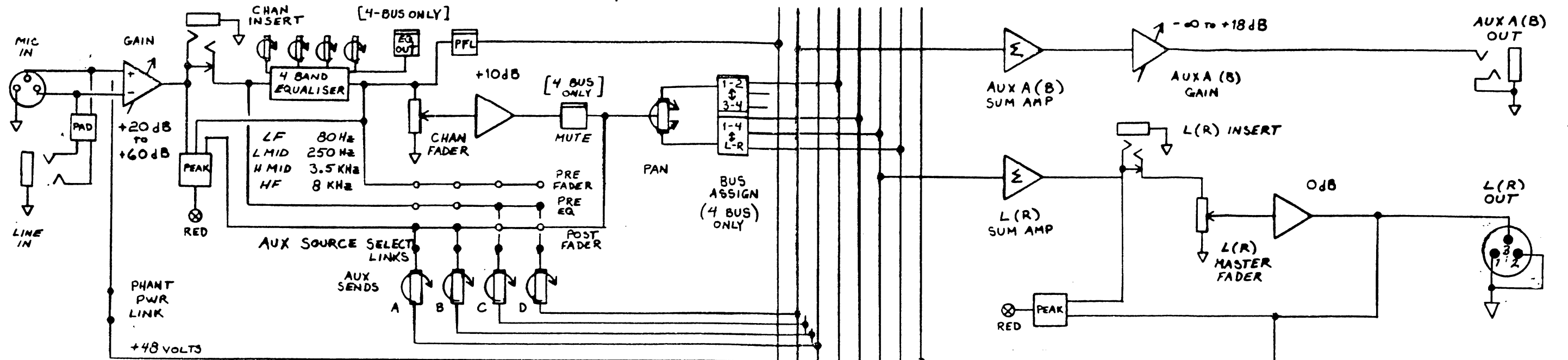
TITLE EBOS - OPTION PCB CIRCUITS

PCB TYPE AG0117 ISSUE 2

ELECTRONICALLY BALANCED OUTPUT SYSTEM

DRAWN BY CD 29-7-86

DRG. No. A137 ISSUE 2



AHB SR+ SERIES 25/2/88 SYSTEM BLOCK DIAGRAM

- CIRCUIT BLOCK
- VARIABLE GAIN AMP
- ROTARY CONTROL
- 1/4 IN. JACK
- PUSH BUTTON SWITCH
- LED
- OPTION LINK
- PCB TO PCB LINK

