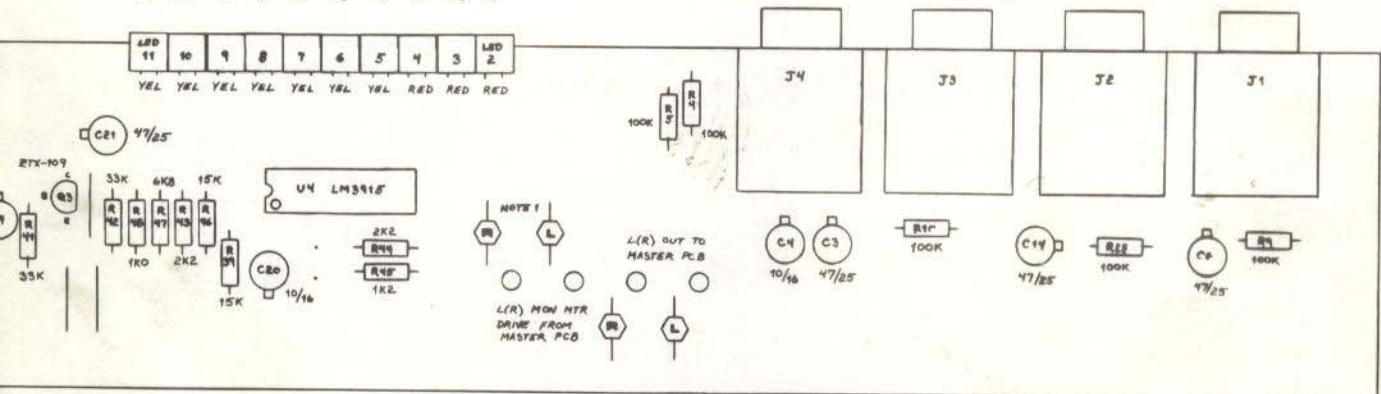


NOTE 1 : IN 4 PLACES INDICATED, SELECT JUMPER FOR CONFIG PCB AS L OR R

NOTE 2 : AUX SENDS C+D FROM EFX RTN CAN BE SET UP PRE OR POST EFX LEVEL
 NORM SET AS PRE

L(R) MONITOR METER 0 VU = +4dBV
 -21 -18 -15 -12 -9 -6 -3 0 +3 +6

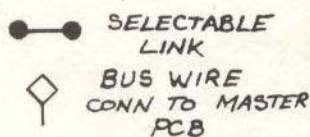
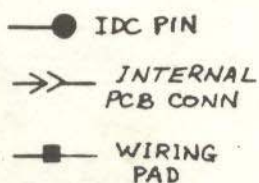
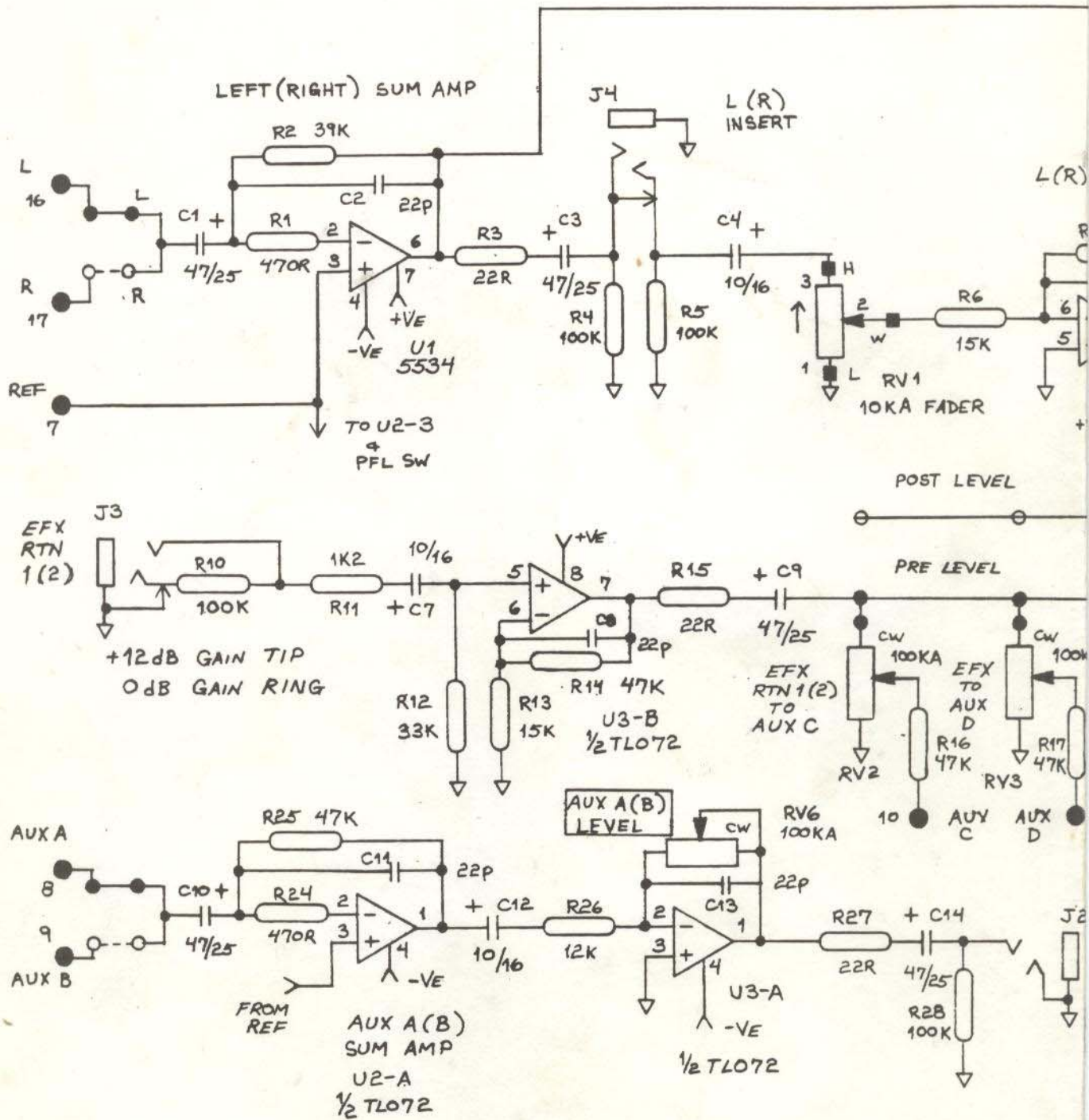
L(R) INSERT EPK RTN 1 (2) AUX A (B) OUT L(R) OUT



INSTALL 4 GUSS BARS BETWEEN
 L, R AND MASTER PCBs

AHB SR L/R PCB AG0112 PARTS PLACEMENT 2:1 ISSUE 1

SR L/R PCB



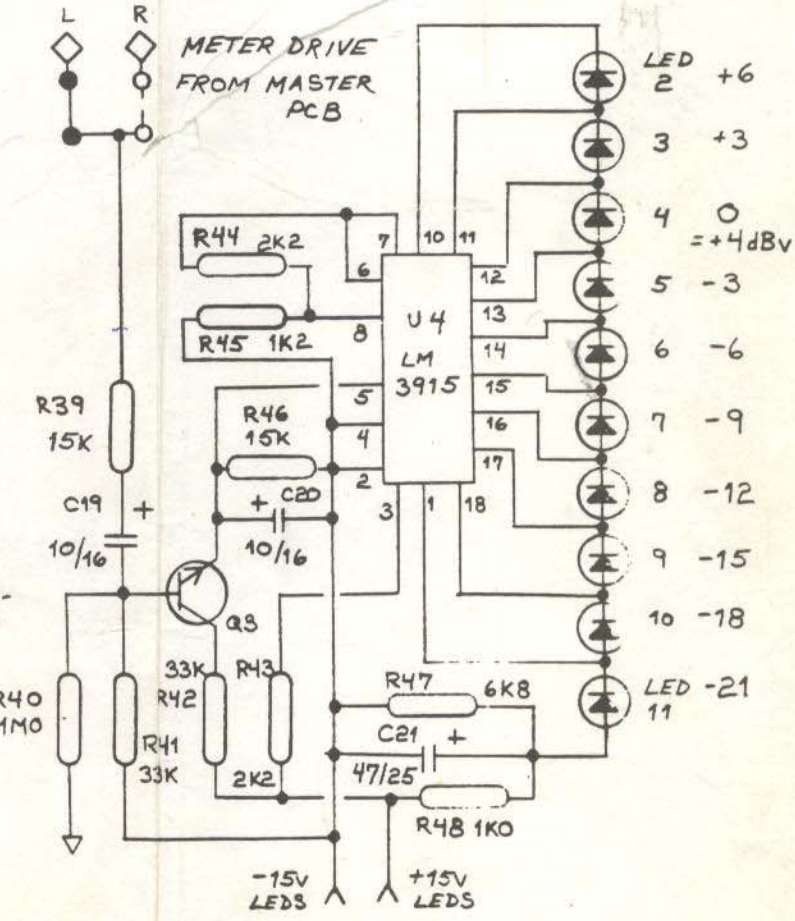
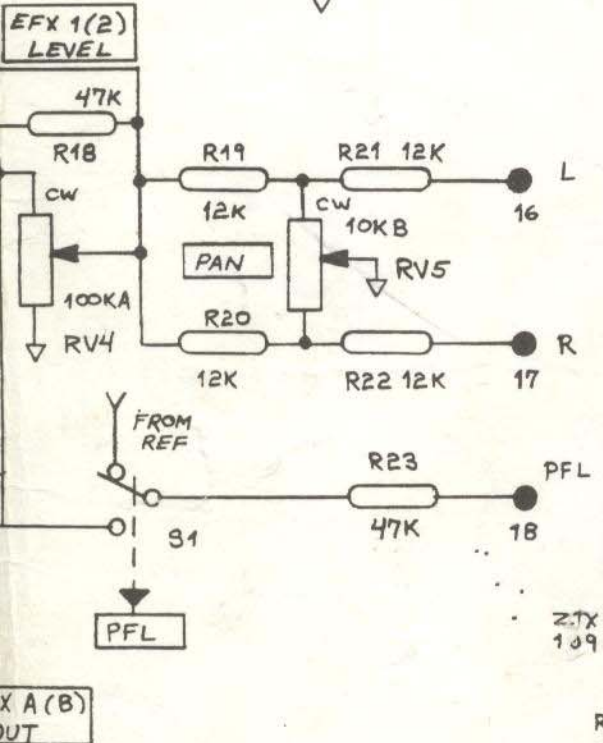
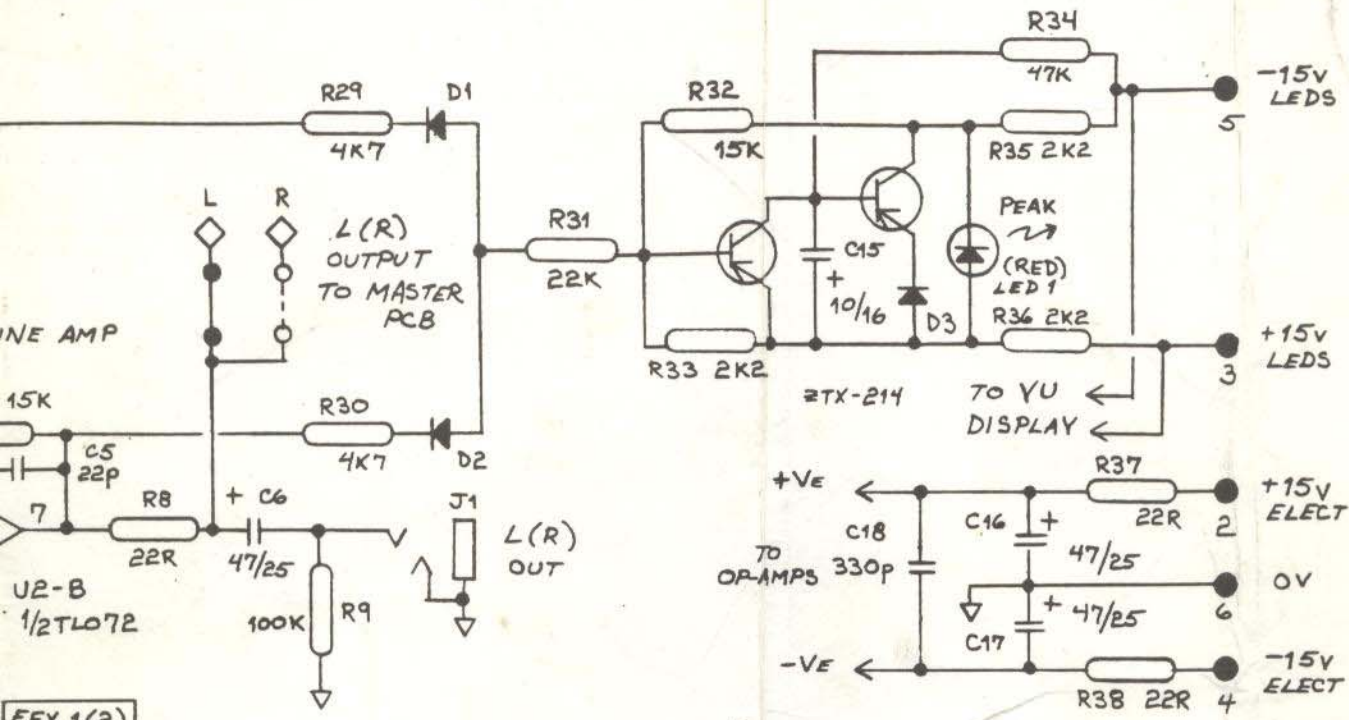
ALL DIODES 1N914
ALL SWITCHES SHOWN IN OUT POSITION

LAST USED

| | |
|------|--------|
| R 4B | D3 |
| C 21 | LED 11 |
| U 4 | RV 6 |
| Q 3 | S 1 |

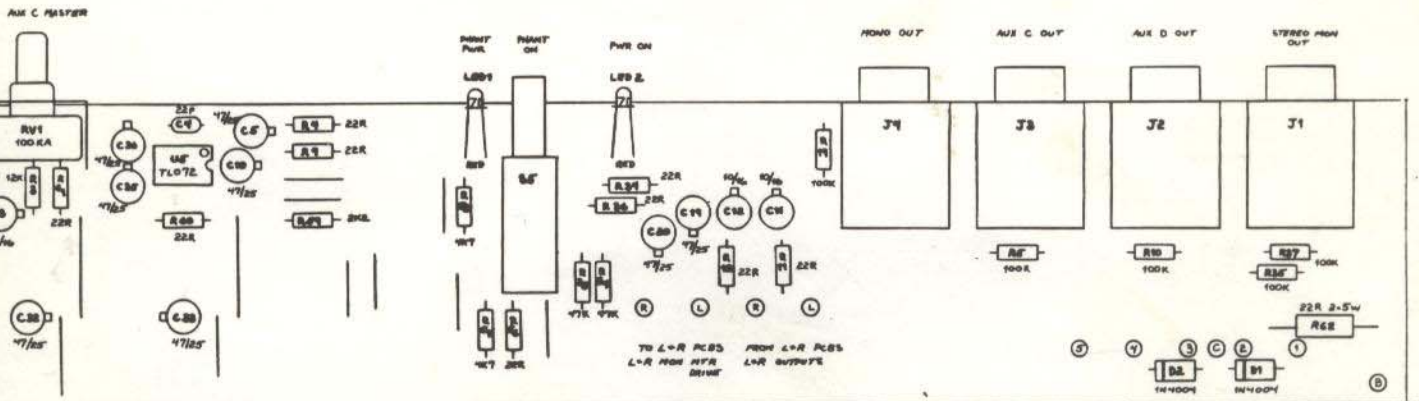
AHB SR SERIES

SR LEFT / RIGHT P



| | | | | | |
|----------------|-------------|--------|---------------|----------|--------------|
| CIRCUIT DETAIL | DRAWN JP | TRACED | CHECKED JP | APPROVED | DATE 8/84 |
|----------------|-------------|--------|---------------|----------|--------------|

AGO112 ISSUE 1

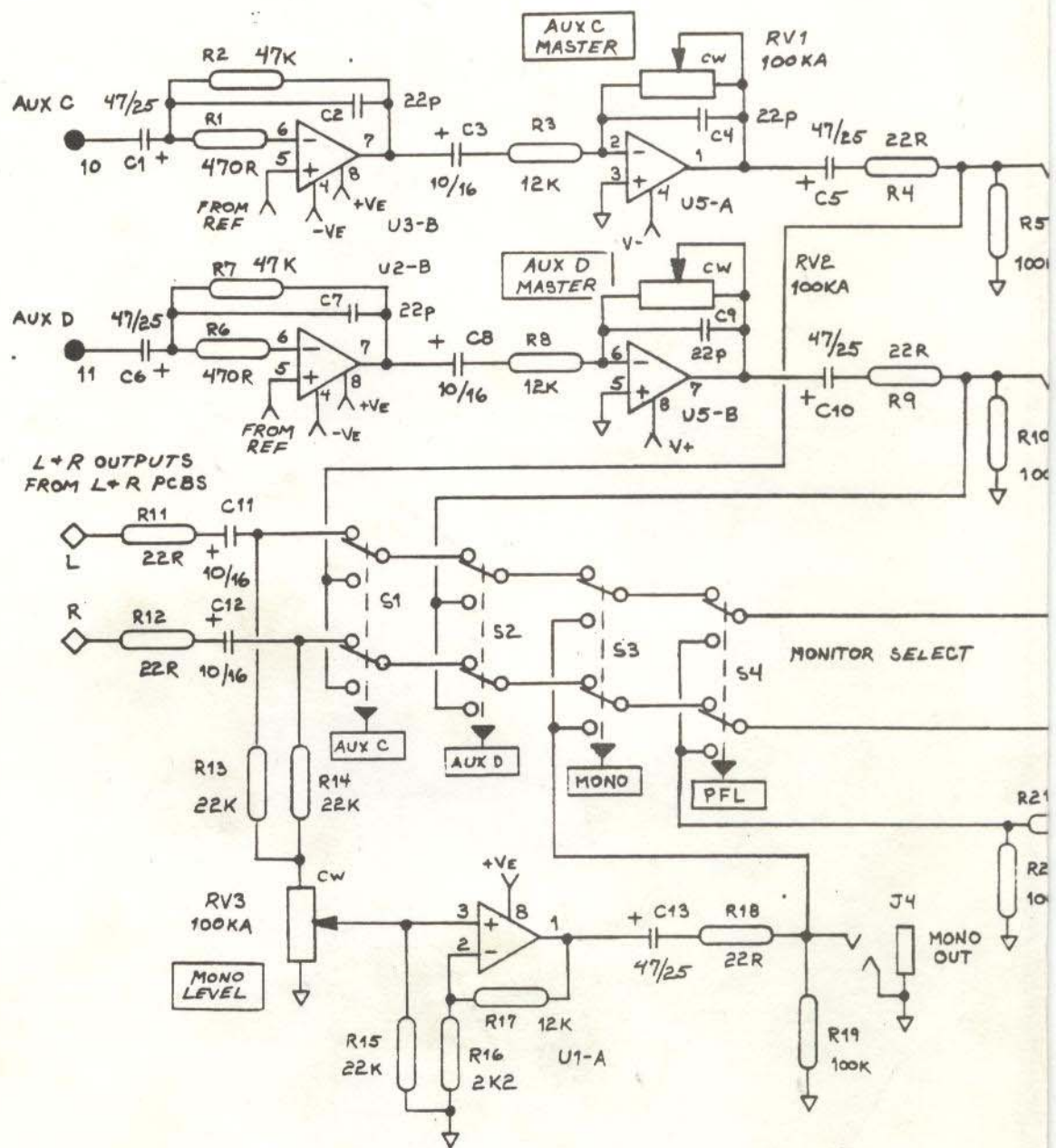


4 BUS BARS TO L+R PCBs

PWR INPUT FROM 5 PIN CANNON - 1-5 TO PADS 1-5
 MASS/3 TO PAD C - BNC LAMP SOCKET TO B
 1. -15V 2. 0V 3. 0V 4. +15V 5. +48V

AHB SR MASTER A80113 PARTS PLACEMENT 2:1 ISSUE 1

SR MASTER PCB



- IDC PIN
- INTERNAL PCB CONN.
- WIRING PAD
- ◇ BUSS WIRE CONN TO L+R PCBs

ALL OPAMPS
TLO72

ALL SWITCHES
SHOWN IN OUT
POSITION

LAST USED

R 62

C 36

U 4

Q 4

D 2

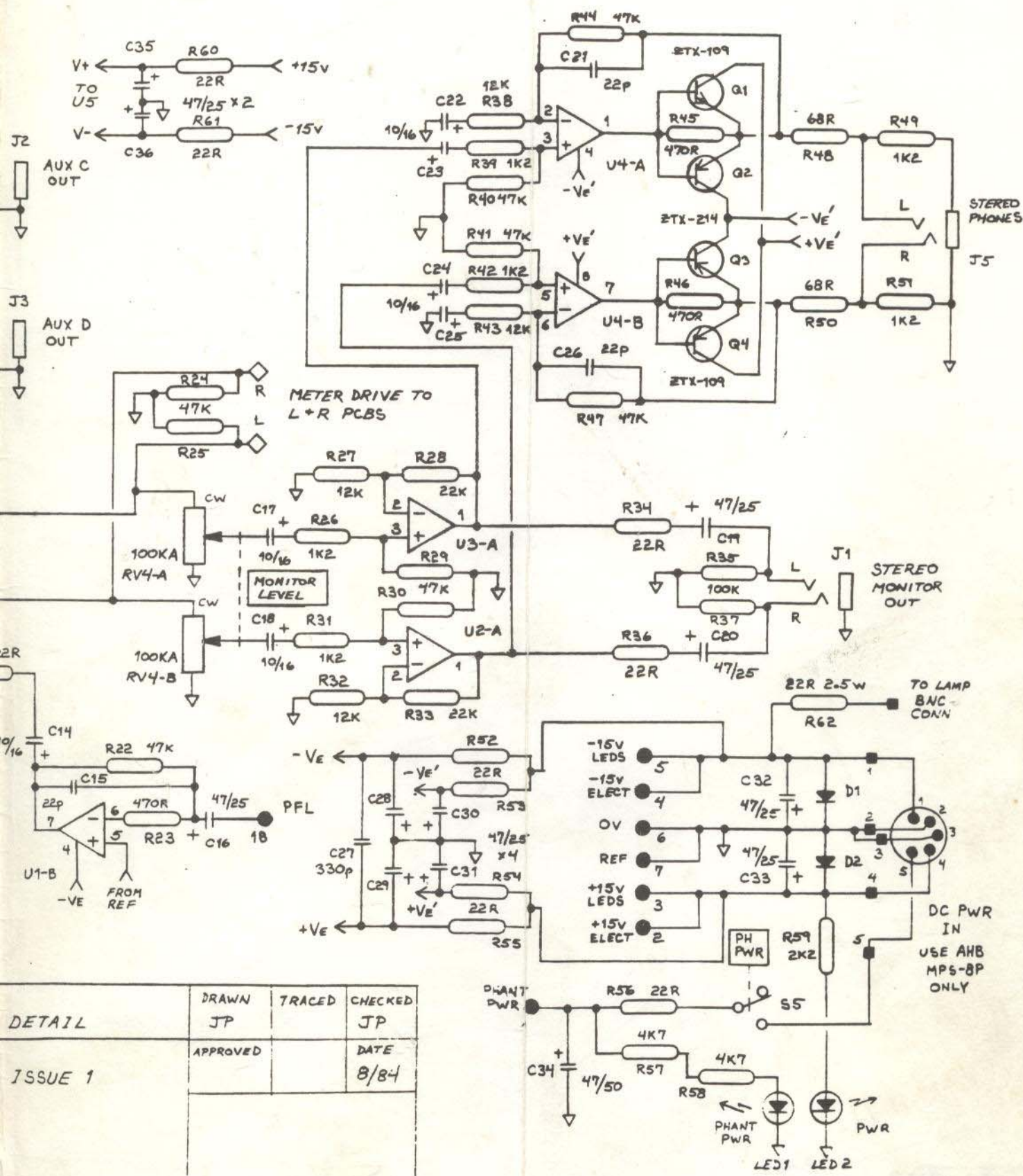
LED 2

RV 4

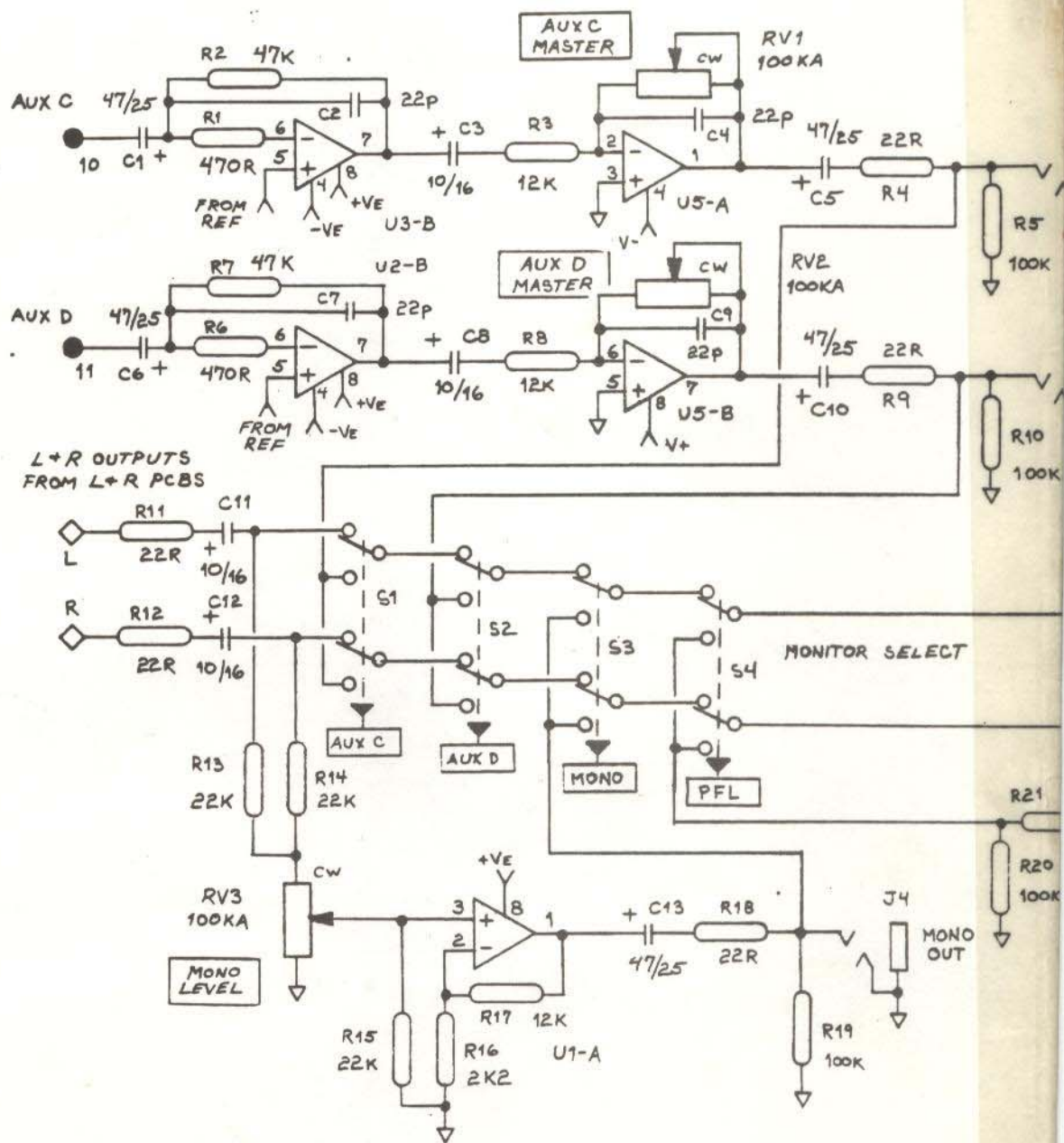
Σ 5

AHB SR SERIES CIRCUIT

SR MASTER PCB AGO113



| | | | |
|---------|----------|--------|---------|
| DETAIL | DRAWN | TRACED | CHECKED |
| | JP | | JP |
| ISSUE 1 | APPROVED | | DATE |
| | | | 8/84 |



- IDC PIN
- INTERNAL PCB CONN
- WIRING PAD
- ◇ BUSS WIRE CONN TO L+R PCBs

ALL OPAMPS
TLO72

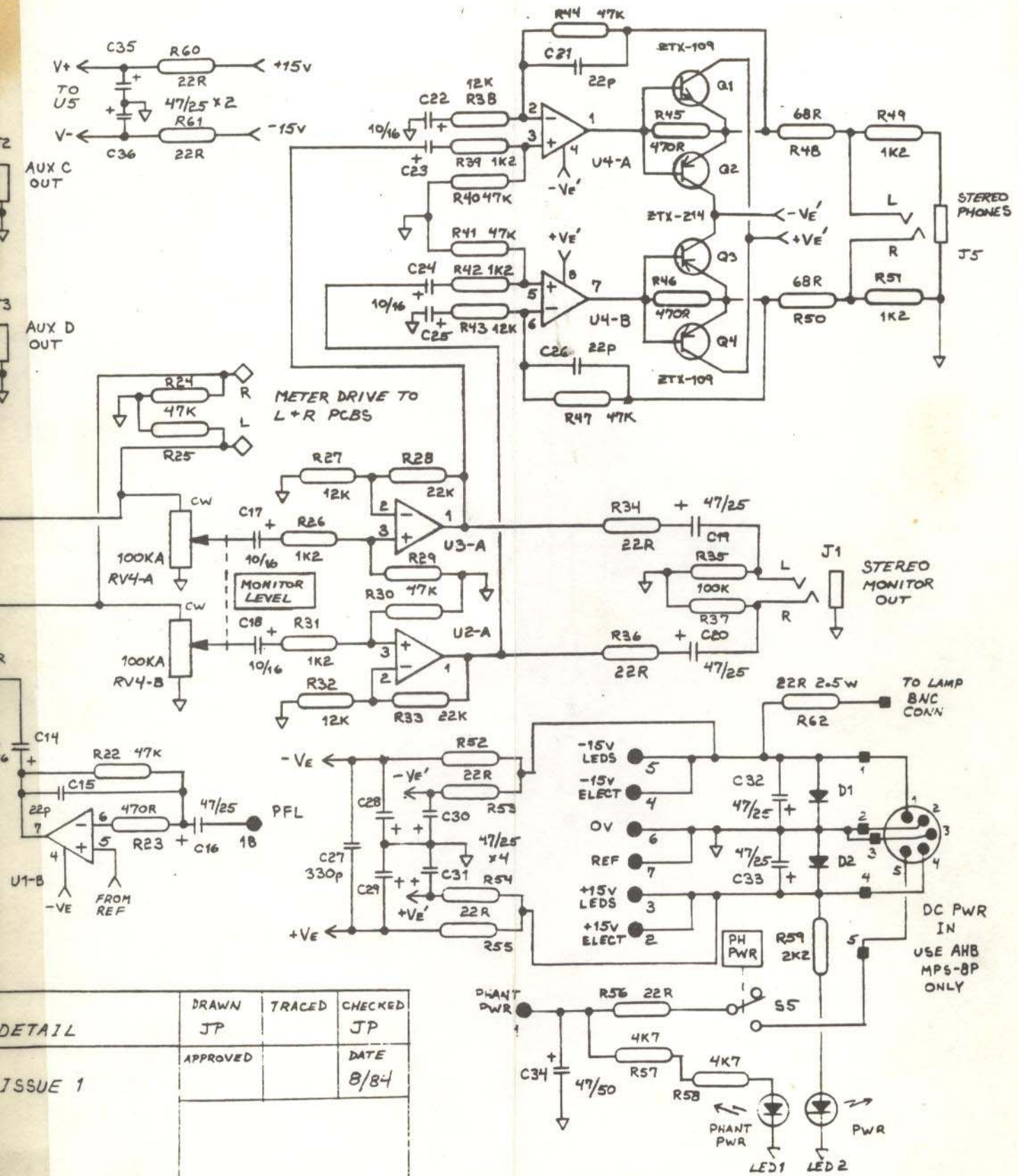
ALL SWITCHES
SHOWN IN OUT
POSITION

LAST USED

R 62
C 36
U 4
Q 4
D 2
LED 2
RV 4
E 5

AHB SR SERIES CIRCUIT

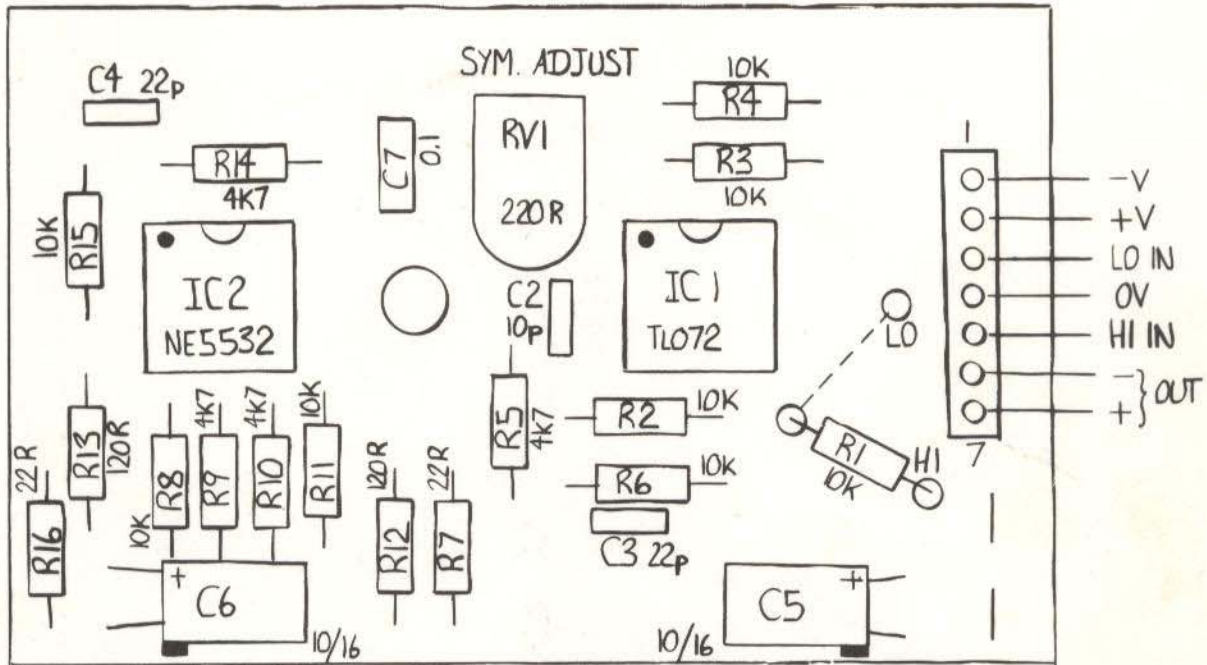
SR MASTER PCB AGO113



| | | | |
|---------|-------------|--------|---------------|
| DETAIL | DRAWN JP | TRACED | CHECKED JP |
| ISSUE 1 | APPROVED | | DATE 8/84 |

EBOS COMPONENT SIDE

AG0117 ISSUE 2



AHB

ALLEN & HEATH BRENNELL LTD.

PROFESSIONAL AUDIO EQUIPMENT
MANUFACTURERS

DESIGN DEPT 69, SHIP STREET BRIGHTON BN1 1AE

Tel (0273) 24928

FACTORY KERNICK INDUSTRIAL EST PENRYN, CORNWALL

Tel (0326) 72070

DRAWING No.

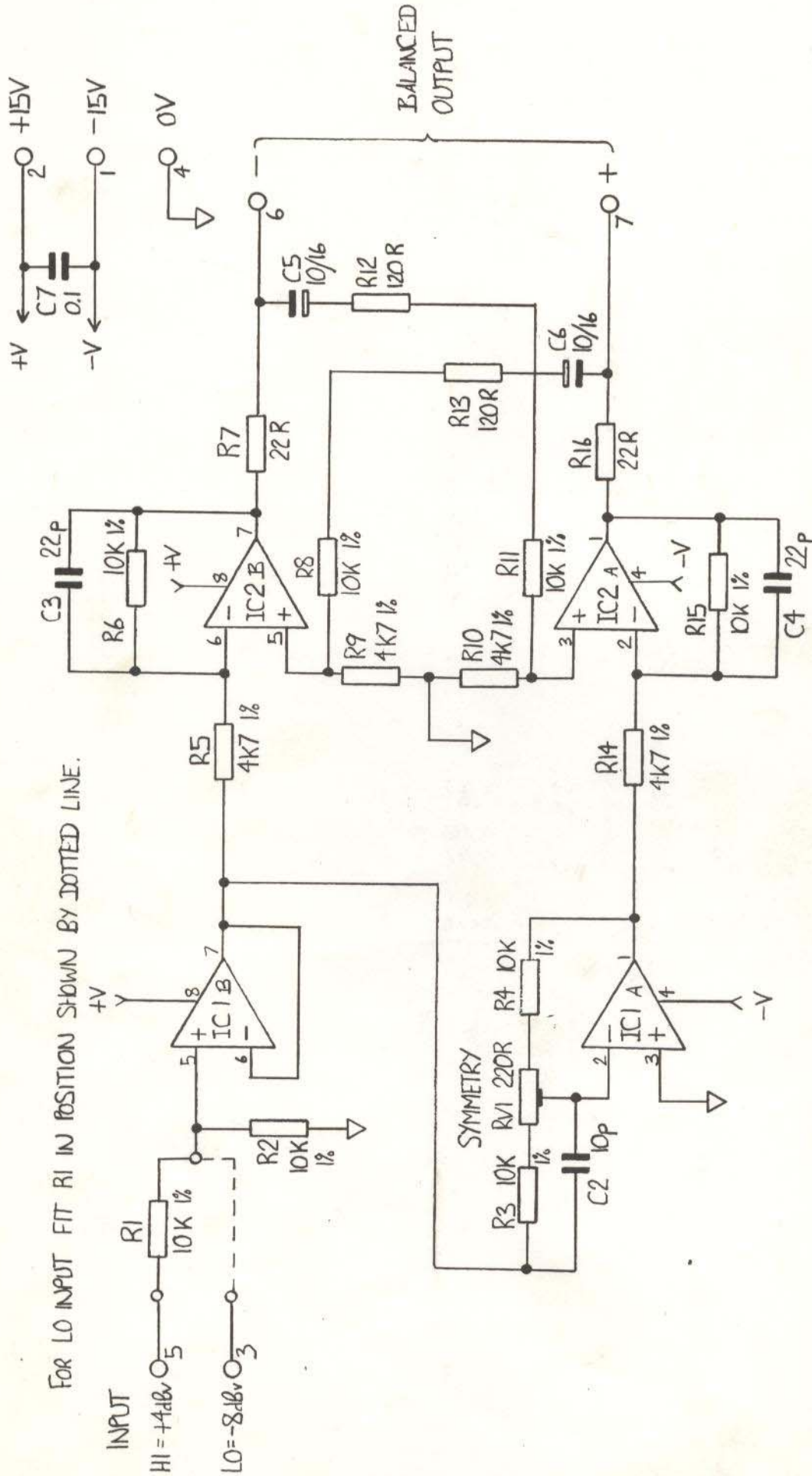
BW 192

Issue

2

ALL RESISTORS ARE 1/4 WATT 5% UNLESS MARKED OTHERWISE

FOR LO INPUT FIT R1 IN POSITION SHOWN BY DOTTED LINE.



AHB
 ALLEN & HEATH BRENELL LTD
 PROFESSIONAL AUDIO EQUIPMENT
 MANUFACTURERS

DESIGN DEPT. 8A, 54P STREET, BRIGHTON BN1 1AE
 FACTORY, KERRICK INDUSTRIAL EST., PERMTH, CORNWALL, TR 0326J 7207D

DRAWING No. A137 | Issue 2

TITLE
 EBOS - OPTION PCB CIRCUITS

PCB TYPE AG0117 ISSUE 2.

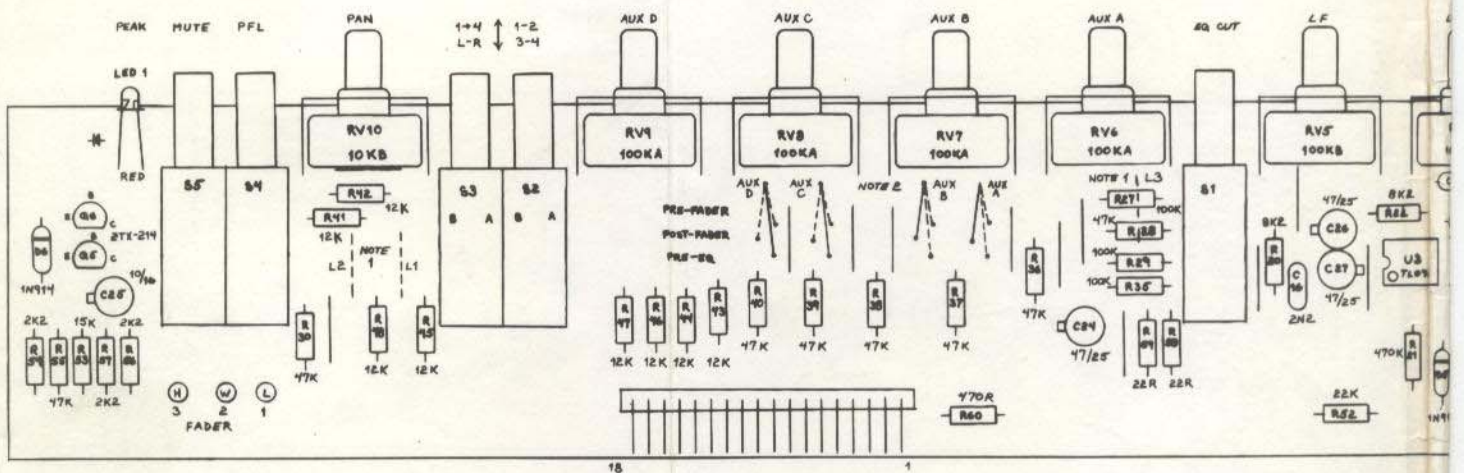
ELECTRONICALLY BALANCED OUTPUT SYSTEM

DRAWN BY CD 29-7-86

DRG. No.

A137

ISSUE 2

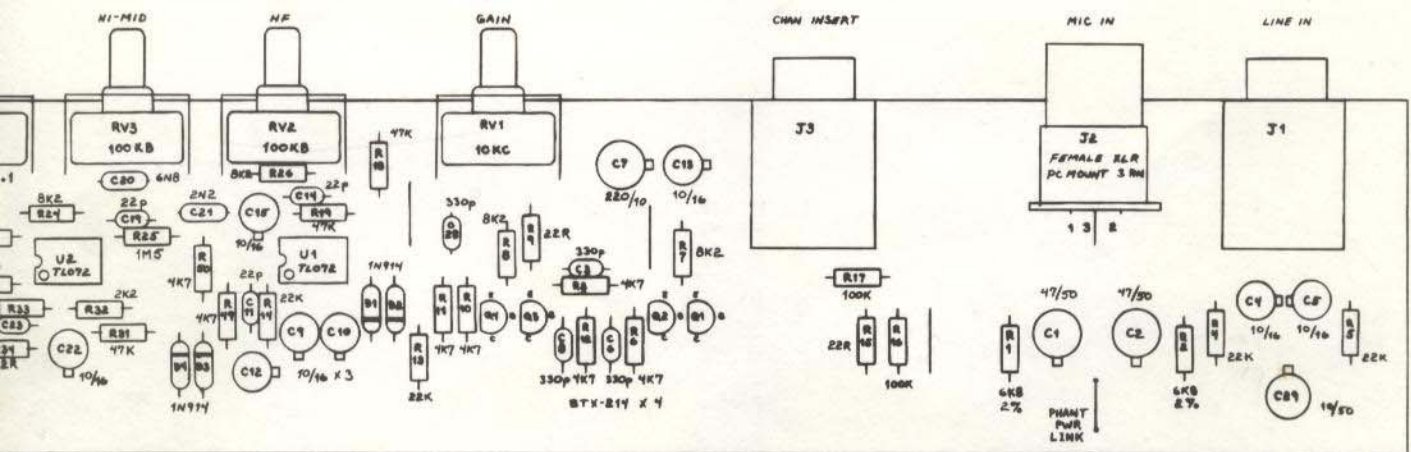


NOTE 1: DIAGRAM IS FOR 4-BUSS INPUT. FOR 2 BUSS OMIT THE FOLLOWING PARTS AND INSTALL 3 JUMPERS WHERE NOTED

OMIT: R27, R28, R35, R43, R44, R46, R47
 REPLACE R36 WITH JUMPER
 OMIT: S1, S2, S3, S5
 INSTALL LINKS L1, L2, L3

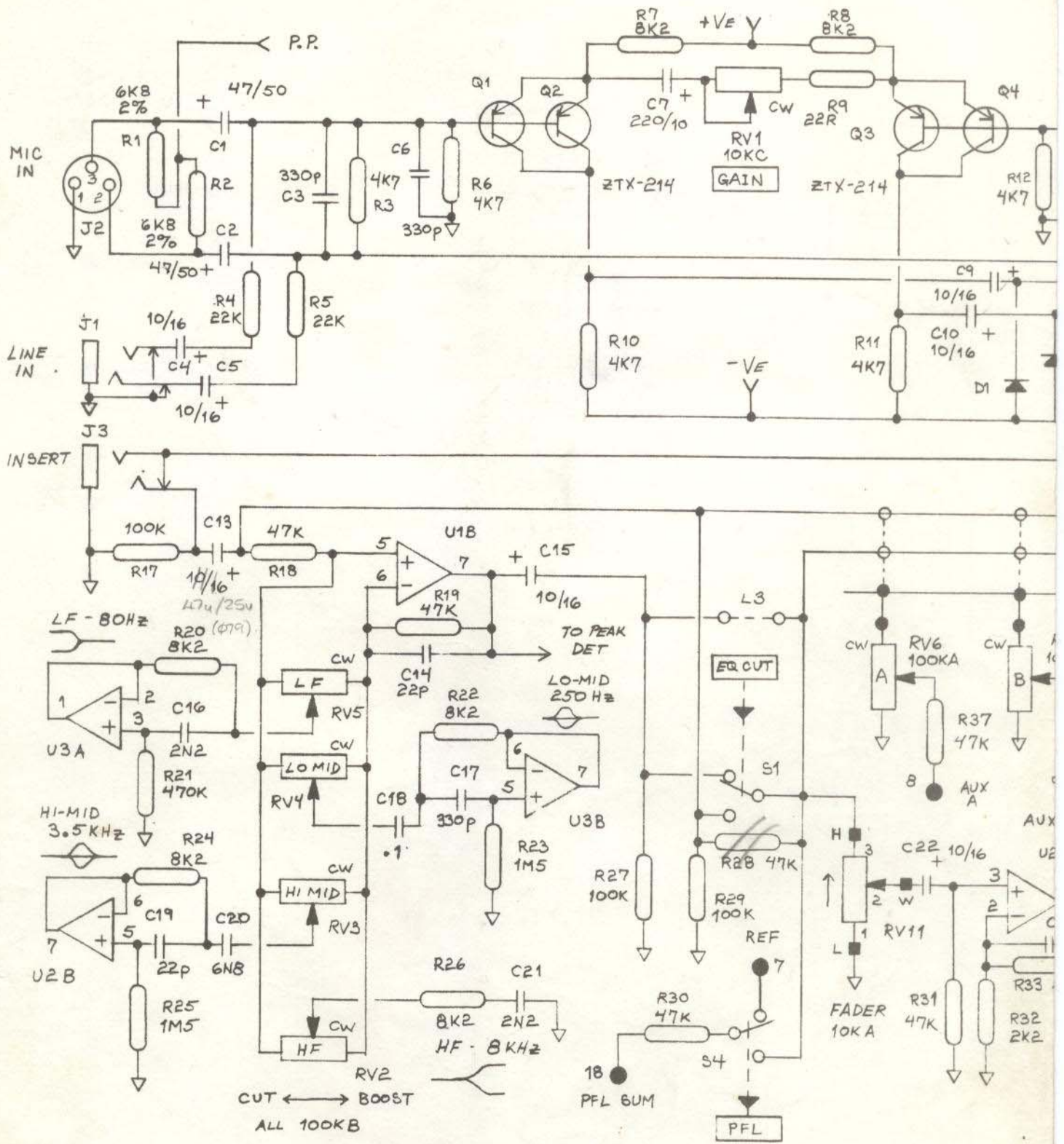
NOTE 2: AUX SENDS CAN BE SET FOR PRE-EQ, PRE-FADER NORM CONFIG IS AS SHOWN

AUX A + B POST-FADER (EFF SENDS)
 AUX C + D PRE-EQ (NON SENDS)



ANB SR INPUT AG0110 PARTS PLACEMENT 2:1 ISSUE 1

SR INPUT PCB



- IDC PIN
- INTERNAL PCB CONN
- WIRING PAD

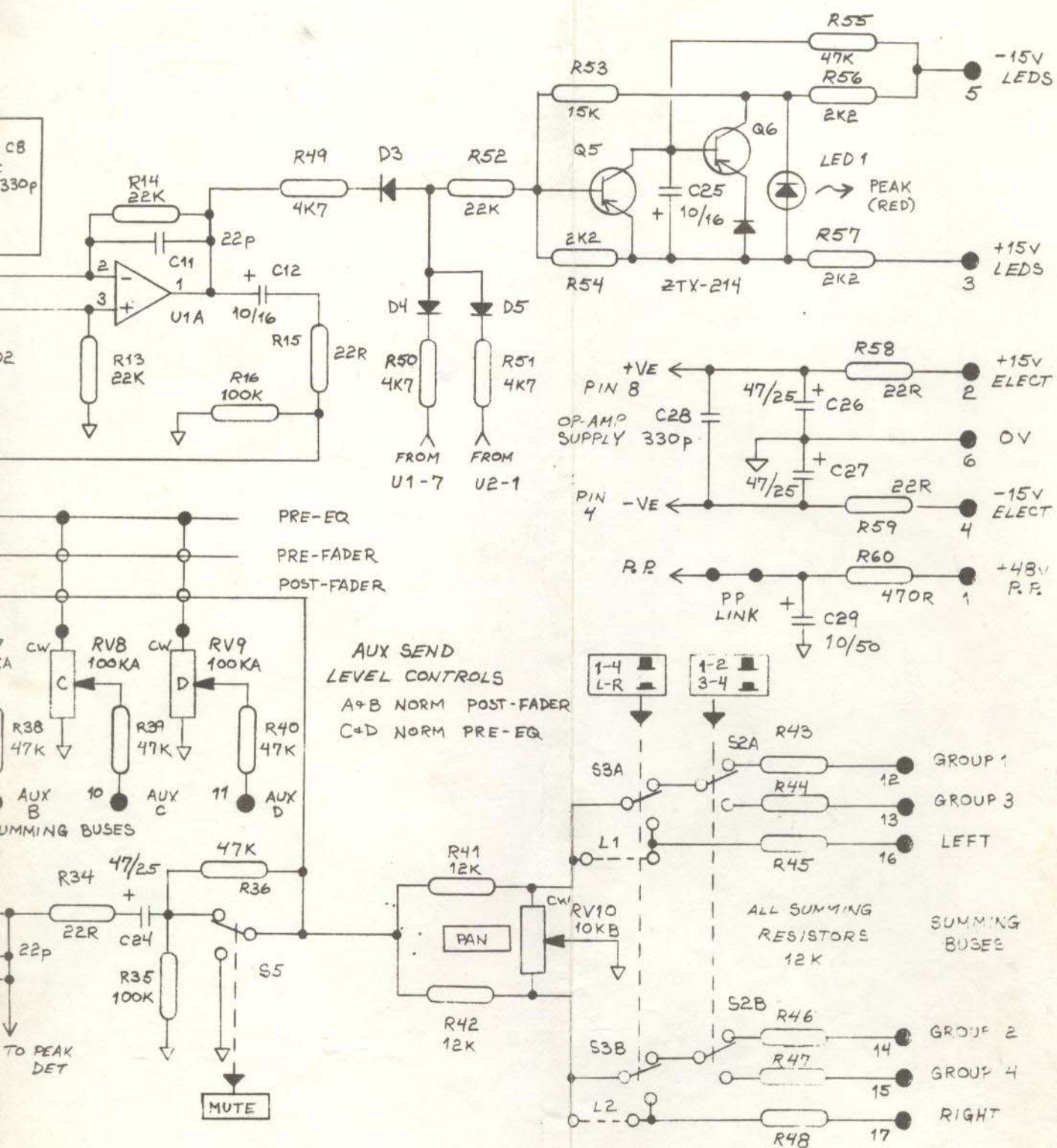
- SELECTABLE LINK
- ALL DIODES 1N914
- ALL OPAMPS TL072
- ALL SWITCHES SHOWN IN OUT POSITION

| LAST USED | |
|-----------|-------|
| R 60 | D 5 |
| C 29 | LED 1 |
| U 3 | RV 11 |
| Q 6 | S 5 |

AHB SR SERIES CIRCUIT

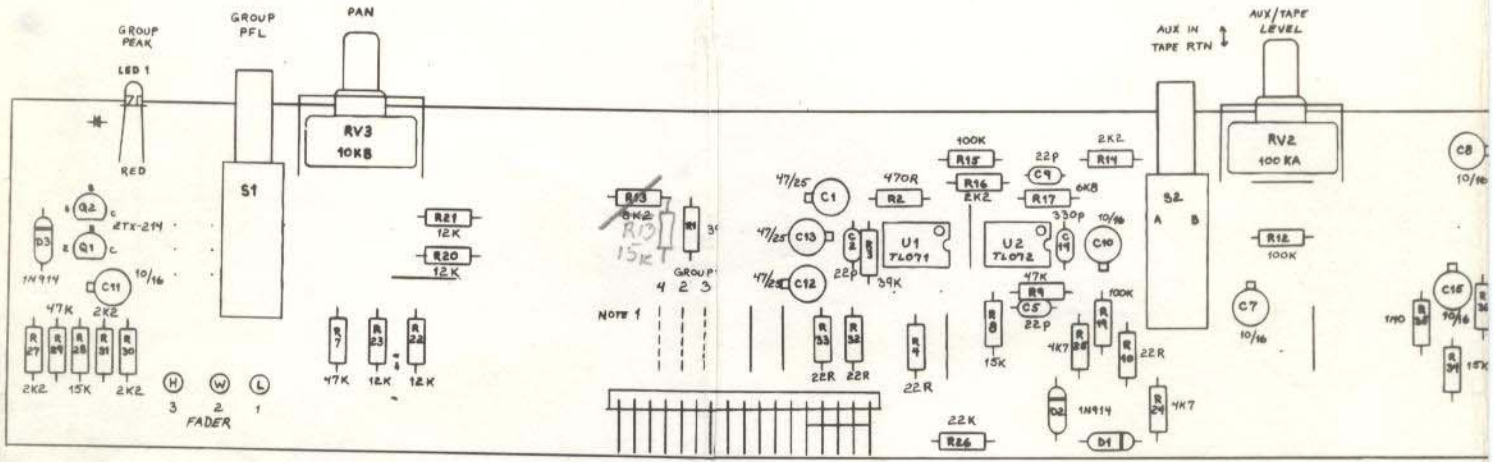
SR INPUT PCB AGO110

N.B. R28 NOW DELETED - RR 23-2-87



| | | | | | |
|--------|-------------|--------|---------------|----------|--------------|
| DETAIL | DRAWN JP | TRACED | CHECKED JP | APPROVED | DATE 8/84 |
|--------|-------------|--------|---------------|----------|--------------|

SHOWN FOR 4 BUS VERSION.
 For 2 BUS OMIT R27, R28, R35, R43, R44, R46, R47, S1, S2, S3, S5
 REPLACE R36 WITH LINK, INSTALL LINKS L1, L2, L3

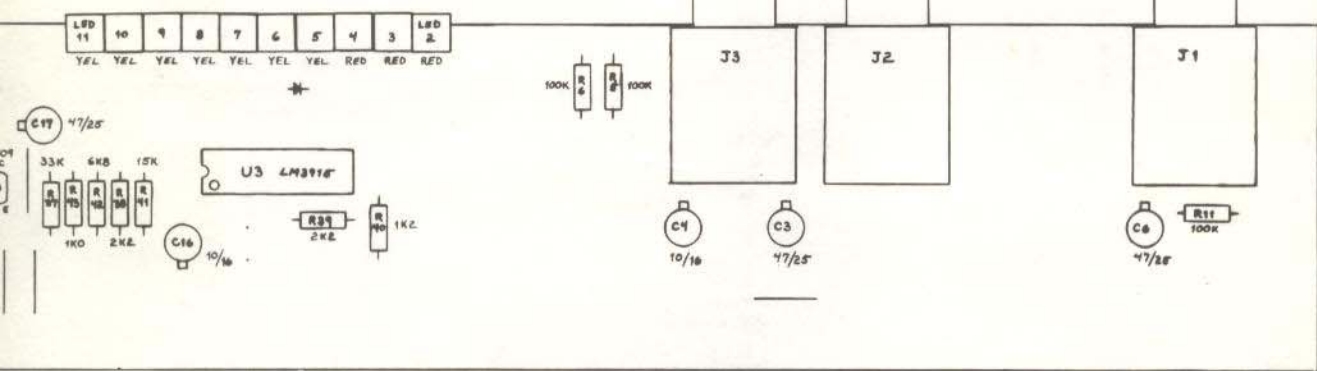


NOTE 1: 4 OF 4 JUMPERS TO SELECT GROUP #

18

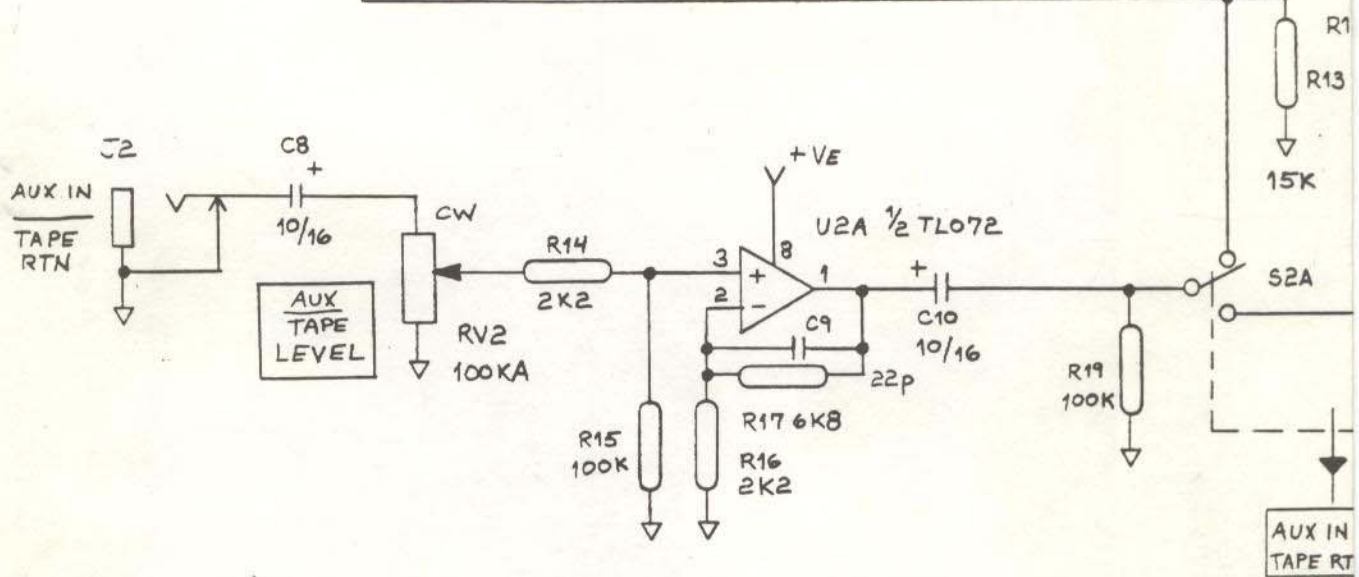
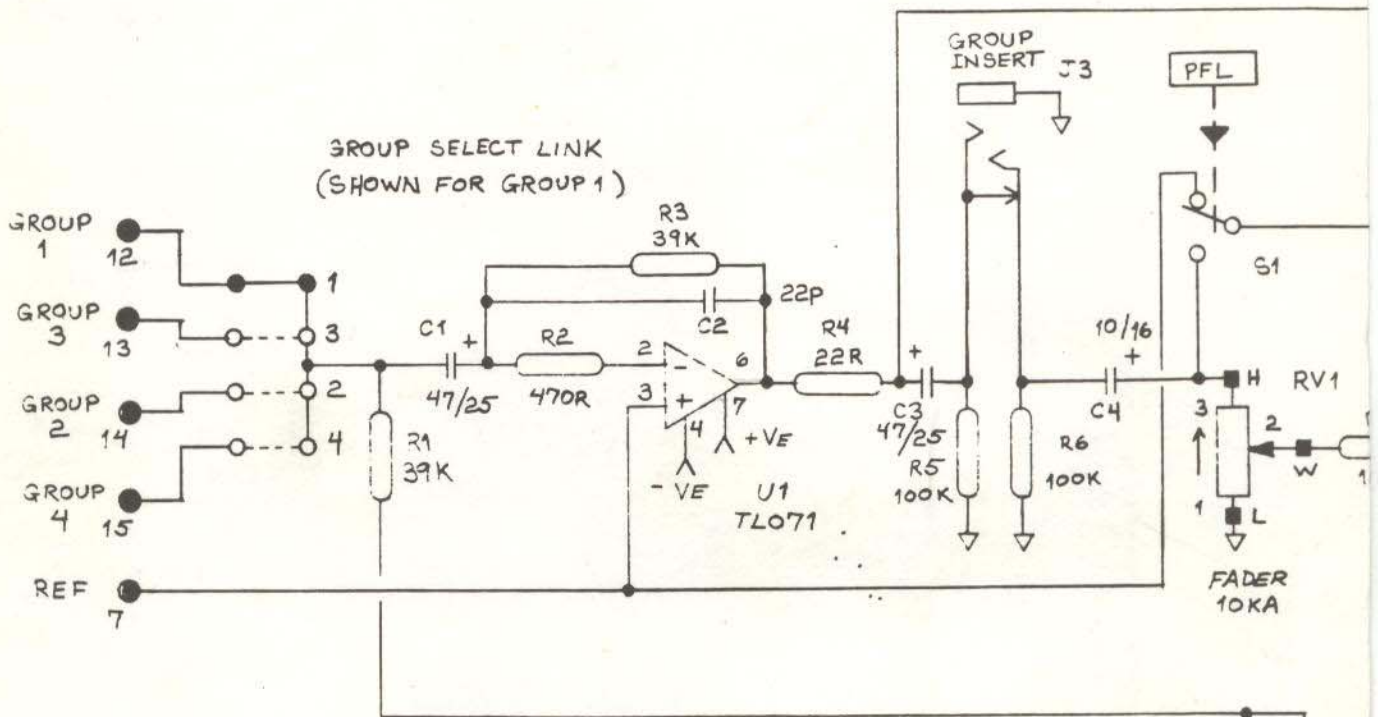
1

GROUP OUTPUT LEVEL OVU = +4dBV
 -21 -18 -15 -12 -9 -6 -3 0 +3 +6



ANS SR GROUP A80111 PARTS PLACEMENT 2:1 ISSUE 1

SR GROUP PCB

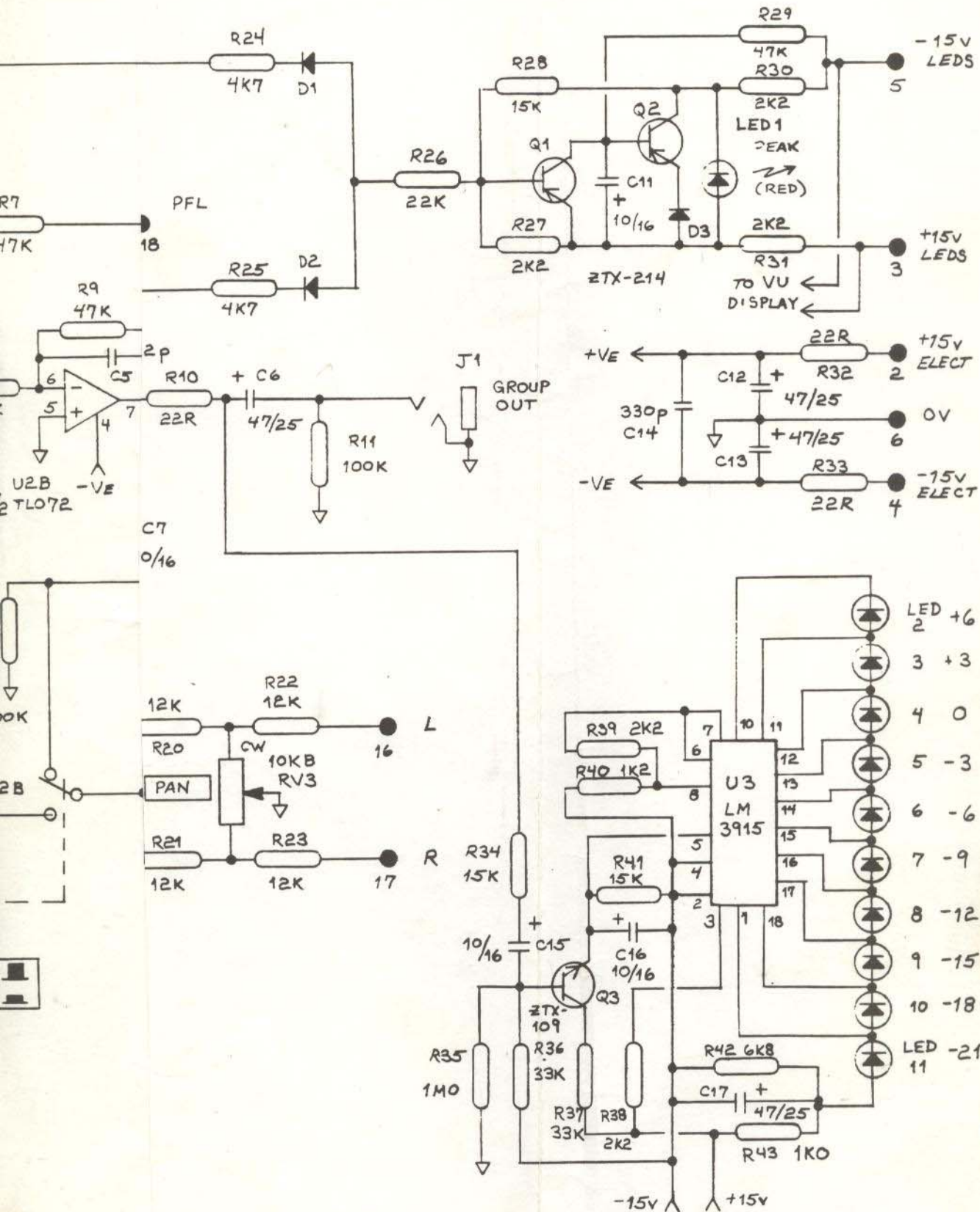


- IDC PIN
- INTERNAL PCB CONN
- WIRING & PAD
- SELECTABLE LINK
- ALL DIODES 1N914
- ALL SWITCHES SHOWN IN OUT POSITION

| LAST USED | |
|-----------|--------|
| R 43 | D 3 |
| C 17 | LED 11 |
| U 3 | RV 3 |
| Q 3 | S 2 |
| NOT USED | |
| D 9 | |

AHB SR SERIES CIRCUIT

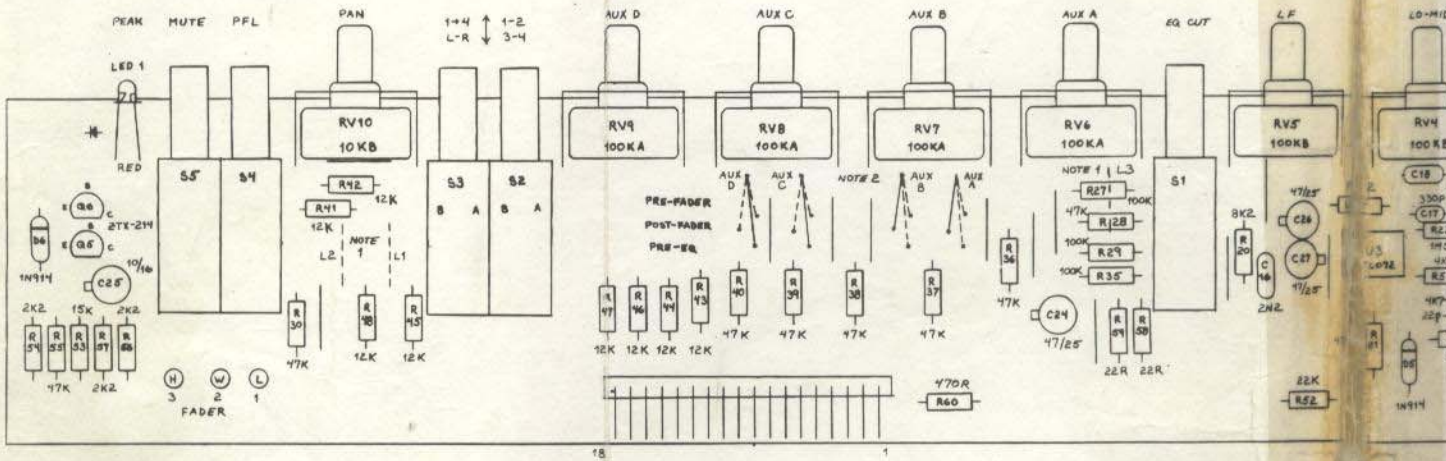
SR SUBGROUP PCB AG011



| | | | | | |
|--------|-------------|--------|---------------|----------|--------------|
| DETAIL | DRAWN JP | TRACED | CHECKED JP | APPROVED | DATE 8/84 |
|--------|-------------|--------|---------------|----------|--------------|

ISSUE 1

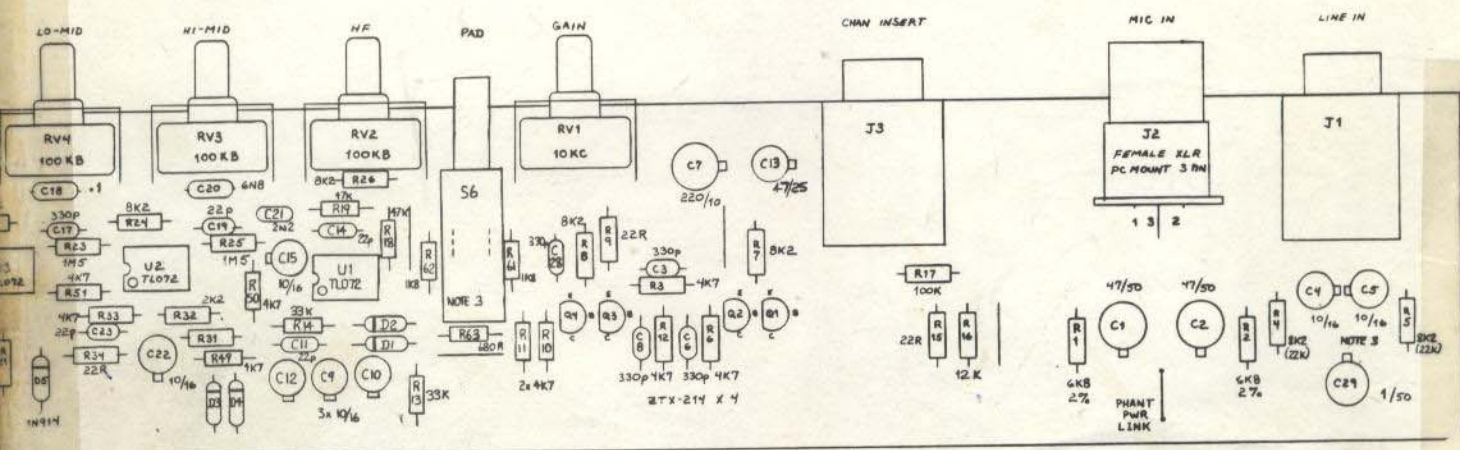
VR R36 = LINK
 MUTE DISTORTED
 SHOULD BE 47K



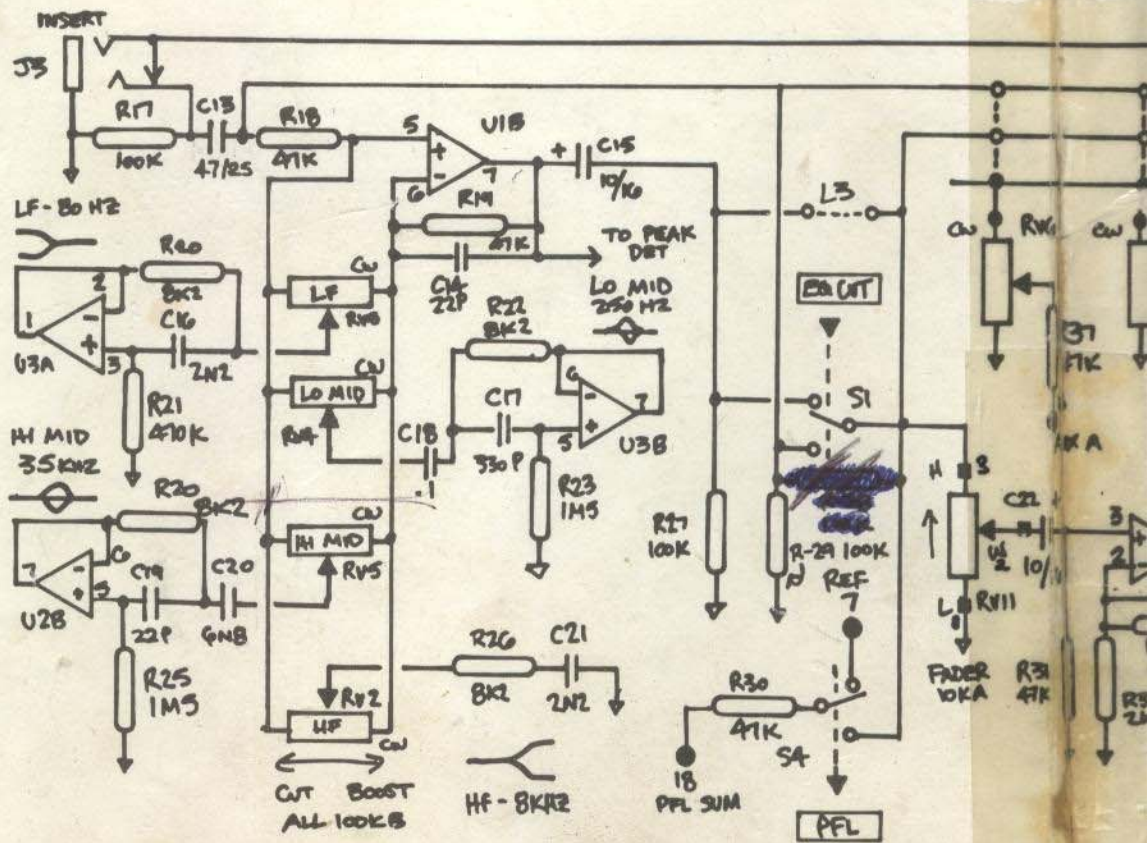
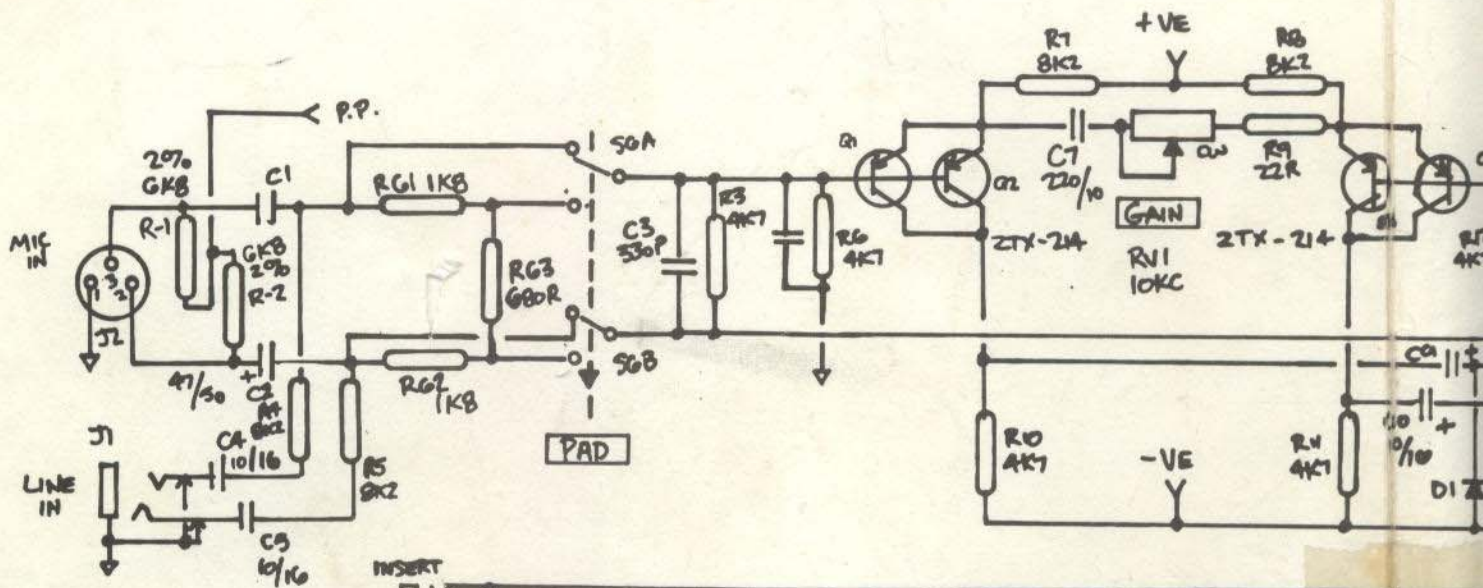
AHB ALLEN & HEATH BRENELL LTD
 PROFESSIONAL AUDIO EQUIPMENT MANUFACTURERS
 5th DEPT 84 SHIP STREET, BRIGHTON BN1 1AE TEL 0273 24020
 6th DEPT KERNICK INDUSTRIAL EST, PENYRN, CORNWALL TR 93281 73070
 FIG No. 267 ISSUE 2

NOTE 1: DIAGRAM IS FOR 4-BUSS INPUT. FOR 2 BUSS OMIT THE FOLLOWING PARTS AND INSTALL 3 JUMPERS WHERE NOTED
 OMIT: R27, R28, R35, R43, R44, R46, R47
 REPLACE R36 WITH JUMPER
 OMIT: S1, S2, S3, S5
 INSTALL LINKS L1, L2, L3

NOTE 2: AUX SENDS CAN BE SET FOR PRE-EQ, POST-FADER OR NORM CONFIG IS AS SHOWN
 AUX A+B POST-FADER (EFF SENDS)
 AUX C+D PRE-EQ (MON SENDS)

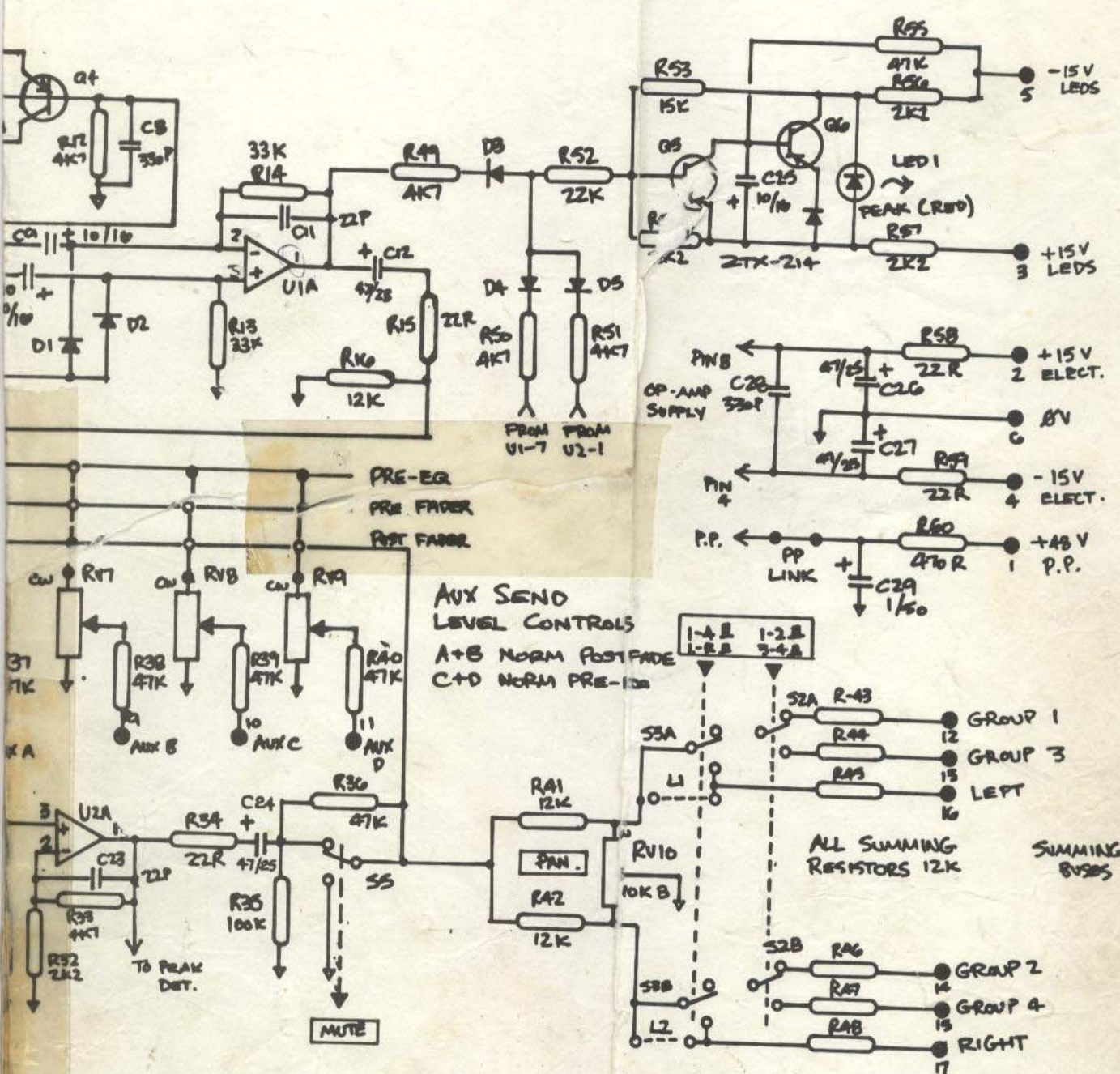


NOTE 3: DIAGRAM IS FOR CHANNEL WITH PRE-FADER.
 FOR CHANNEL WITHOUT PRE-FADER SWITCH OMIT R4, R42, R43, S6
 AND INSTALL 2 JUMPERS WHERE NOTED.
 REPLACE R4 AND R5 WITH 22K RESISTORS.

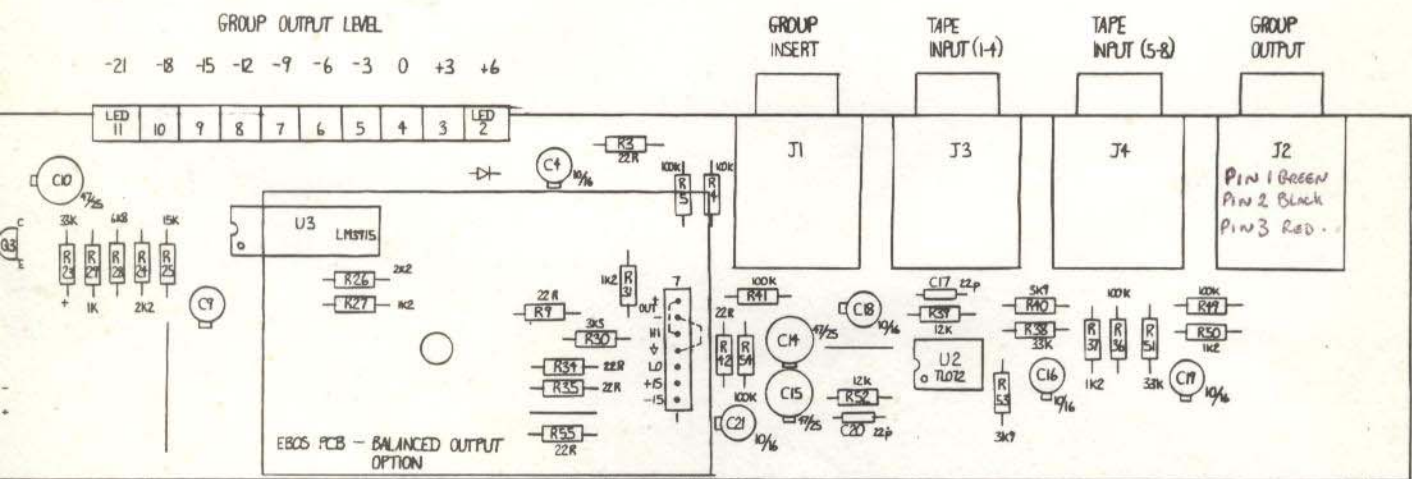


| | | | | | | |
|----------------------|----------------------------------|-----------|------|---------------------------|-----------|------|
| ● IDC PIN | ○ SELECTABLE LINK | LAST USED | | AHB | SR SERIES | CIRC |
| ➔ INTERNAL PCB CONN. | ALL DIODES IN4148 | R-63 | D5 | | | |
| ■ WIRING PAD | ALL OPAMPS TL072 | C29 | LED1 | | | |
| | ALL SWITCHES SHOWN IN "OUT" POS. | U3 | RV11 | | | |
| | | G6 | S6 | | | |
| | | | | SR INPUT PCB MK 2 VERSION | | |

NB. R28 NOW DELETED RR 23-2-87

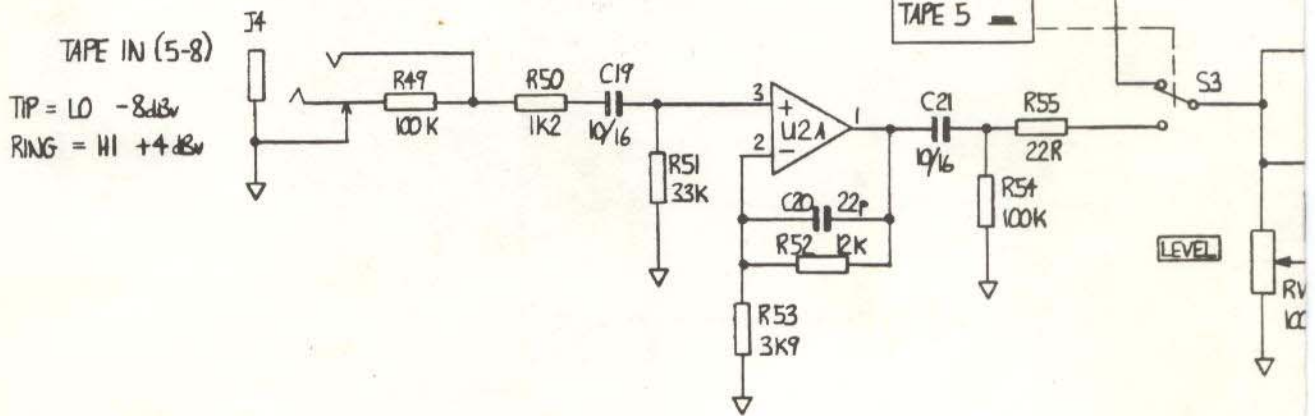
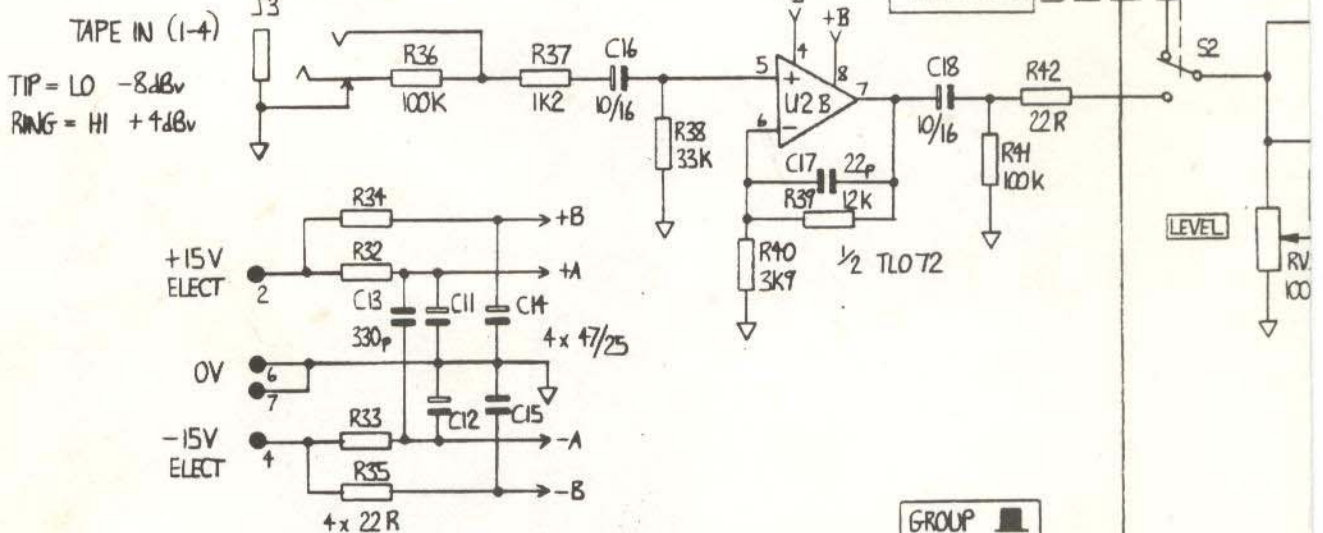
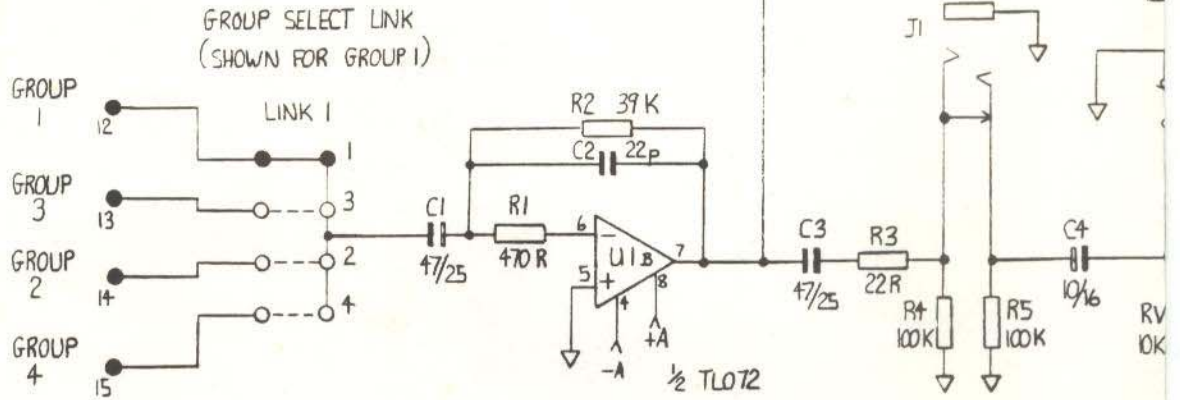


| CIRCUIT DETAIL | DRAWN KT/JP | TRACED KT | CHECKED JP | APPROVED | DATE |
|--|----------------|--------------|---------------|----------|------|
| ISSUE 1 | | | | | |
| SHOWN FOR 4 B VERSION. FOR 2 BUS OMIT R17, R20, R35, R43 R44 R46 R47, S1, S2, S3, S5 REPLACE R36 W/ LINK, INSTALL LINKS L1, L2, L3 | | | | | |

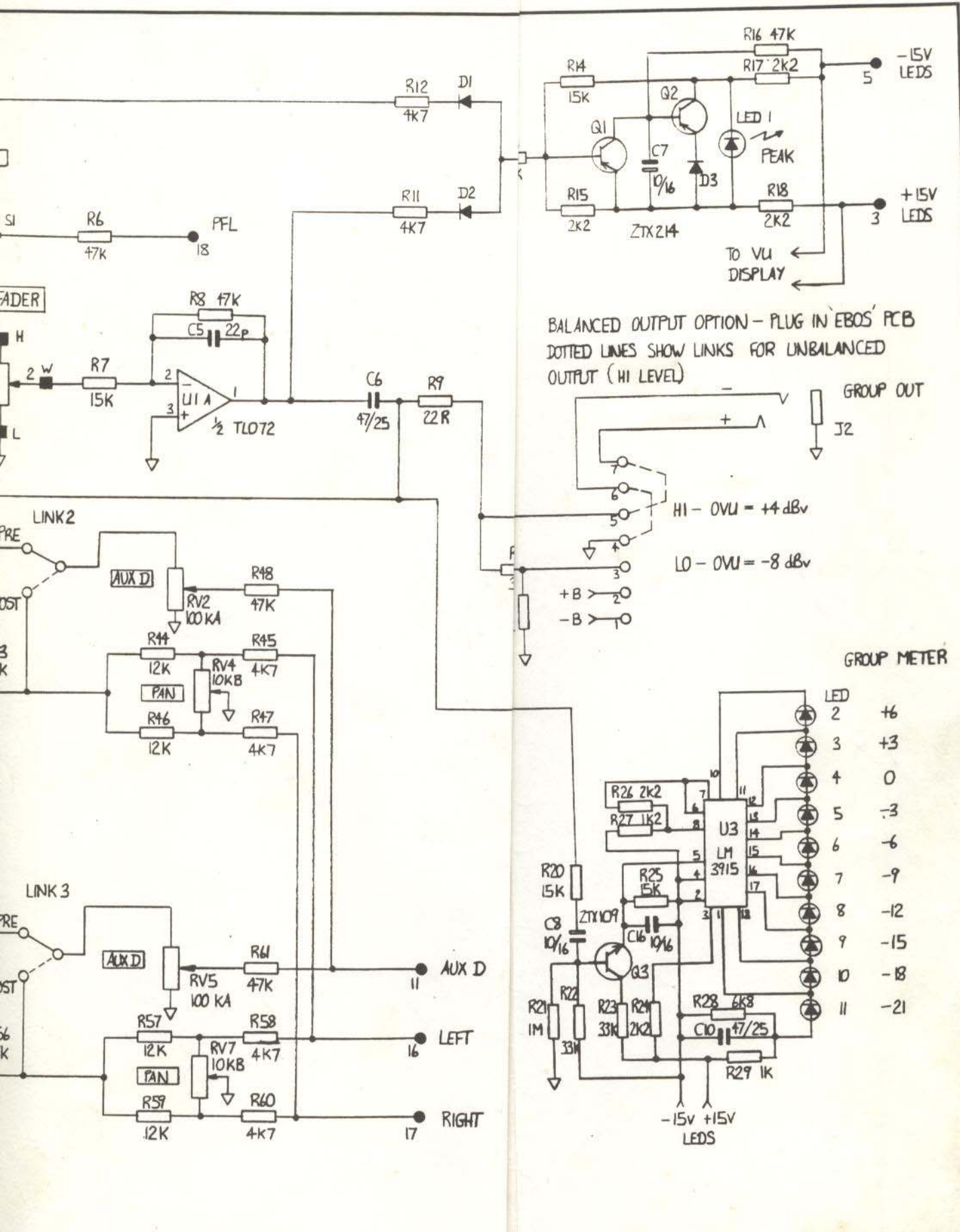


NOTE 3: FOR UNBALANCED OUTPUT LINK PIN 6 TO PIN 4, AND
 LINK PIN 7 TO PIN 5 - HI (+4dB), OR
 LINK PIN 7 TO PIN 3 - LO (-8dB)

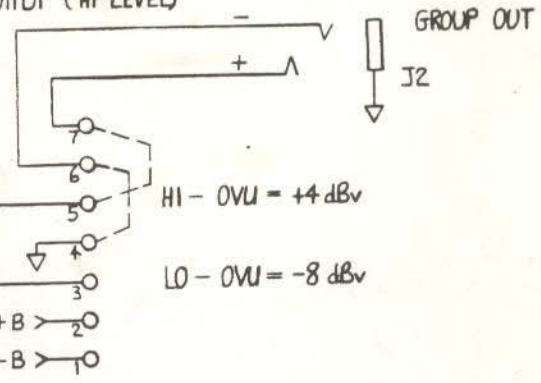
AHB SR GROUP-2 660171 PARTS PLACEMENT 24 ISSUE 1



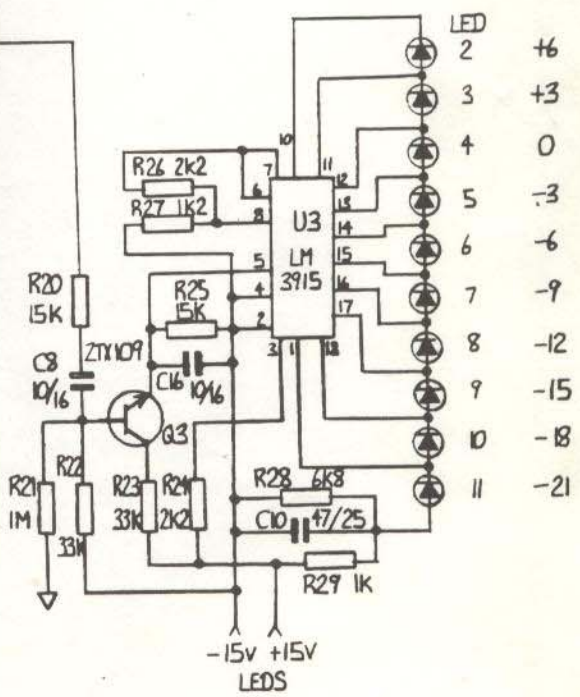
| | | | | | |
|--------------------------------|----------|----------|---------|-------------------------|--|
| STANDARD NOTES | | MATERIAL | | TOLERANCES | |
| ALL DIMENSIONS IN mm | | | | GENERAL ±0.25 mm | |
| DO NOT SCALE DRAWING | | | | HOLE CENTRES ±0.15 mm | |
| THIRD ANGLE PROJECTION | | | | HOLE SIZES ±0.10 mm | |
| REMOVE ALL BURRS & SHARP EDGES | | | | UNLESS STATED OTHERWISE | |
| SCALE | | | | | |
| CP ORIGIN | REVISION | DATE | CHECKED | | |
| | | 29-784 | | | |



BALANCED OUTPUT OPTION - PLUG IN EBOS' PCB
 DOTTED LINES SHOW LINKS FOR UNBALANCED
 OUTPUT (HI LEVEL)



GROUP METER



- LED 2 +6
- LED 3 +3
- LED 4 0
- LED 5 -3
- LED 6 -6
- LED 7 -9
- LED 8 -12
- LED 9 -15
- LED 10 -18
- LED 11 -21

NOTES

- IDC PIN
- INTERNAL PCB CONN.
- WIRING PAD
- SELECTABLE LINK
- DIODES = 1N4148

ALL SWITCHES SHOWN 'OUT'

UNIT TITLE
 SR SERIES CIRCUIT DETAIL

DRAWING TITLE
 GROUP-2 PCB AG0171 ISSUE 1

AHB ALLEN & HEWLETT SPENCER LTD
 PROFESSIONAL AUDIO EQUIPMENT MANUFACTURERS

SEARCH COPY? OR SHIP STREET, BRUSHWOOD IND MBE TO GROUP 2000
 "FACTORY" HEDDEN INDUSTRIAL ESE, PENYRTH, CORNWALL, TR 2600 2000

396 Issue 1