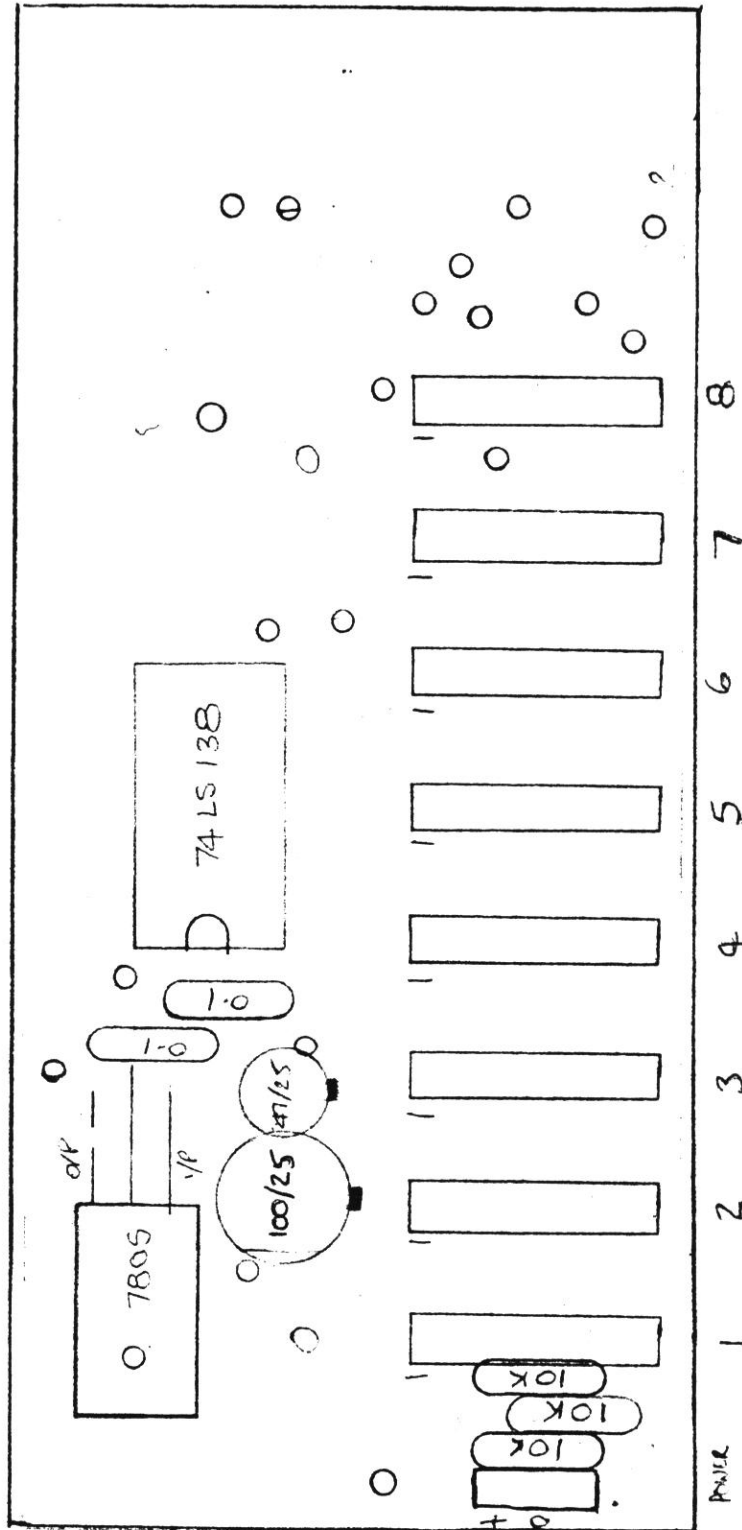
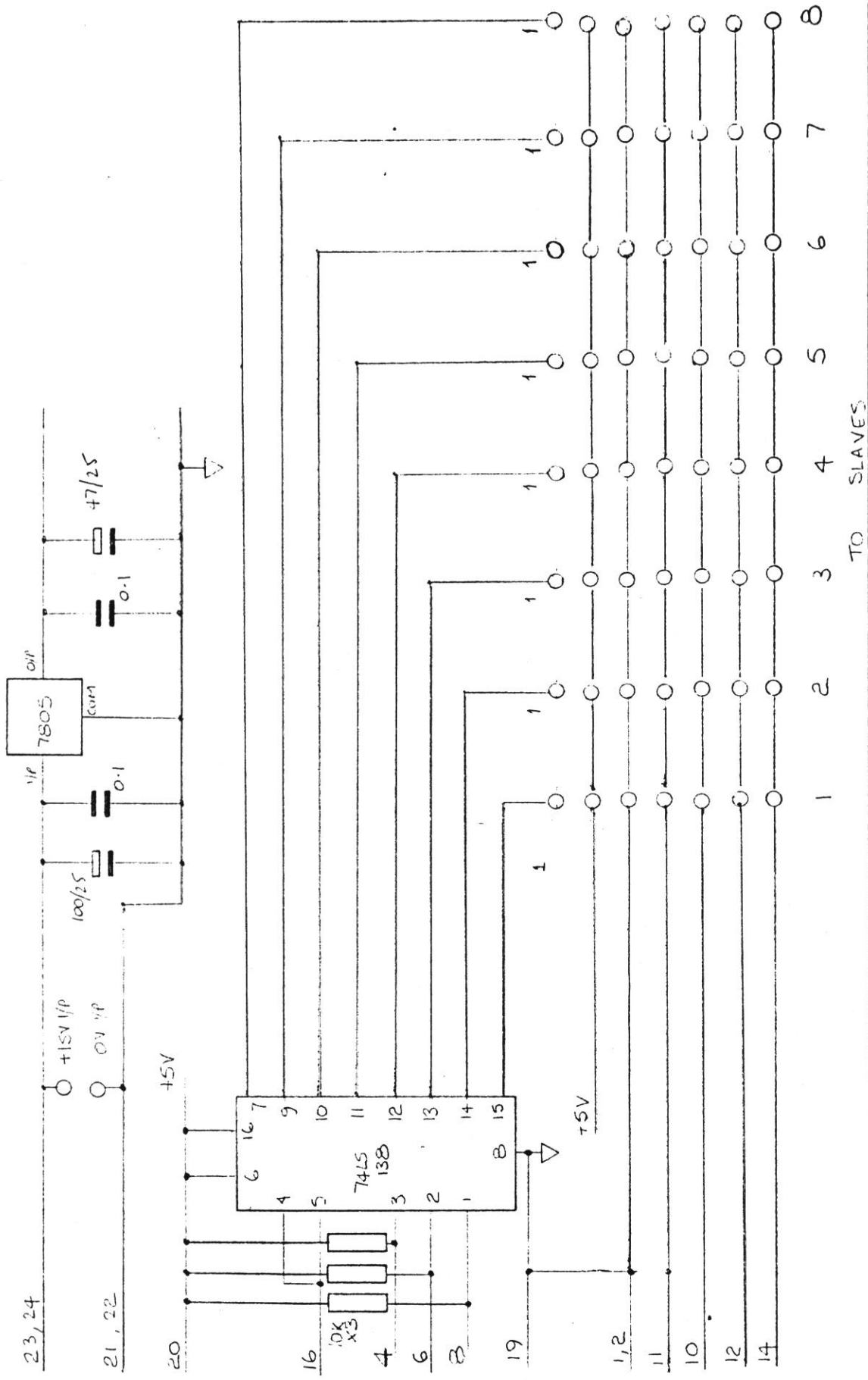


# A HB AUTO MUTE MASTER AGO16B



34 WAY 0.1" DIRECT EDGE CONNECTOR TO CONTROLLER

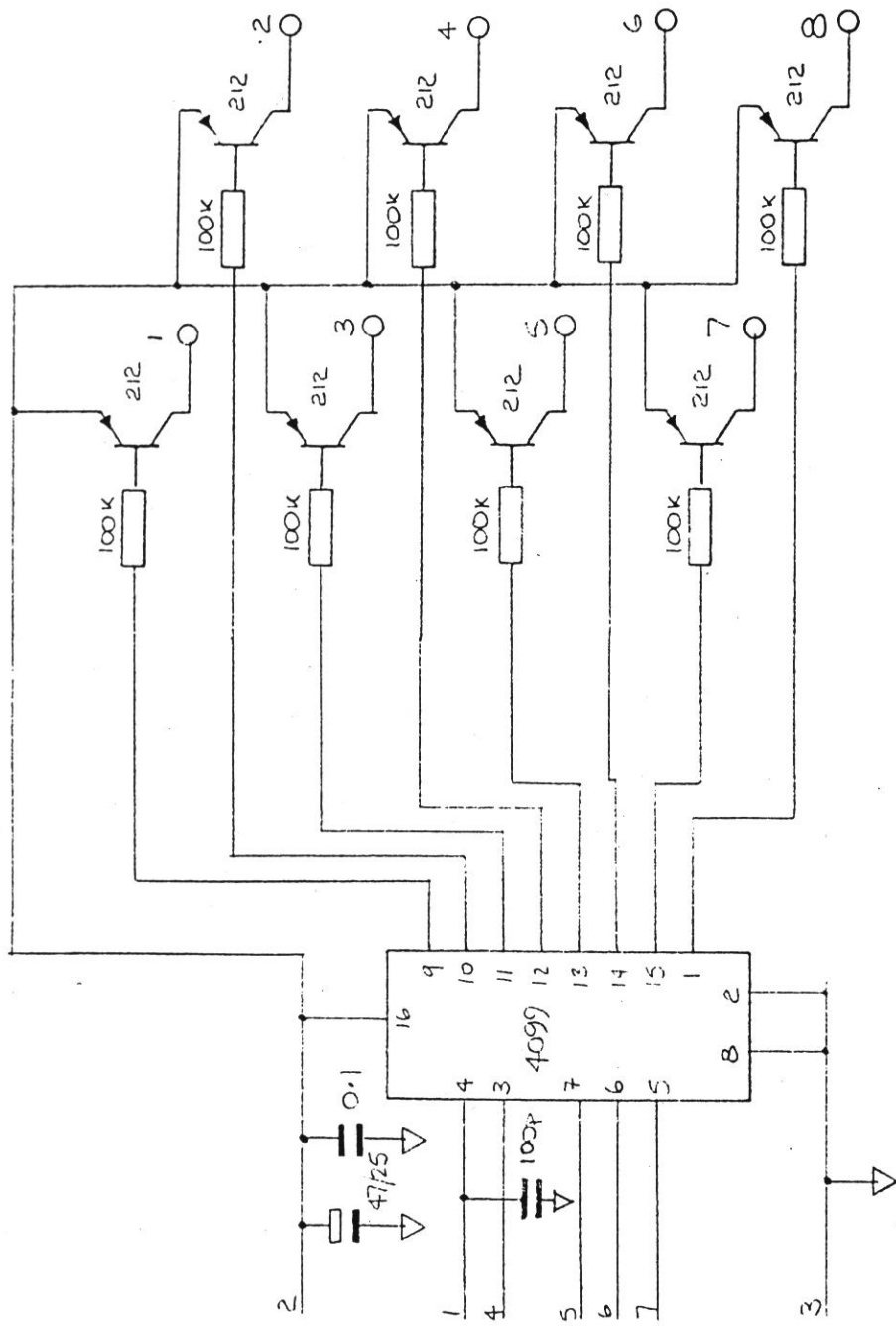


**AHB**  
 ALLEN & HEATH BRENNELL LTD.  
 PROFESSIONAL AUDIO EQUIPMENT MANUFACTURERS  
 DESIGN DEPT. 69 SHIP STREET, BRIGHTON BN1 1AE Tel 01273 26928  
 FACTORY KERRICK INDUSTRIAL EST. PENRTH. CORNWALL Tel 01326 72070  
 DRAWING NO. A133 | ISSUE 1

TITLE SIGMA AUTO MUTE MASTER

DRG. No. A133

TO AUTO MUTE MASTER



**AHB**  
ALLEN & HEATH BRENELL LTD  
PROFESSIONAL AUDIO EQUIPMENT  
MANUFACTURERS  
DESIGN DEPT. 94 SHIP STREET, BIRMINGHAM B4 1AE TEL 01273 21928  
FACTORY: KENWOOD INDUSTRIAL EST., PENRYN, CORNWALL PL 80 2AH 72000  
DRAWING No. A 134 | 18-8108

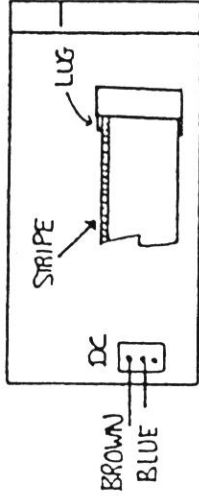
TITLE  
SIGMA AUTO MUTE SLAVE

DRG. No. A 134

COLOUR SEQUENCE: BROWN RED ORANGE YELLOW GREEN BLUE VIOLET GREY

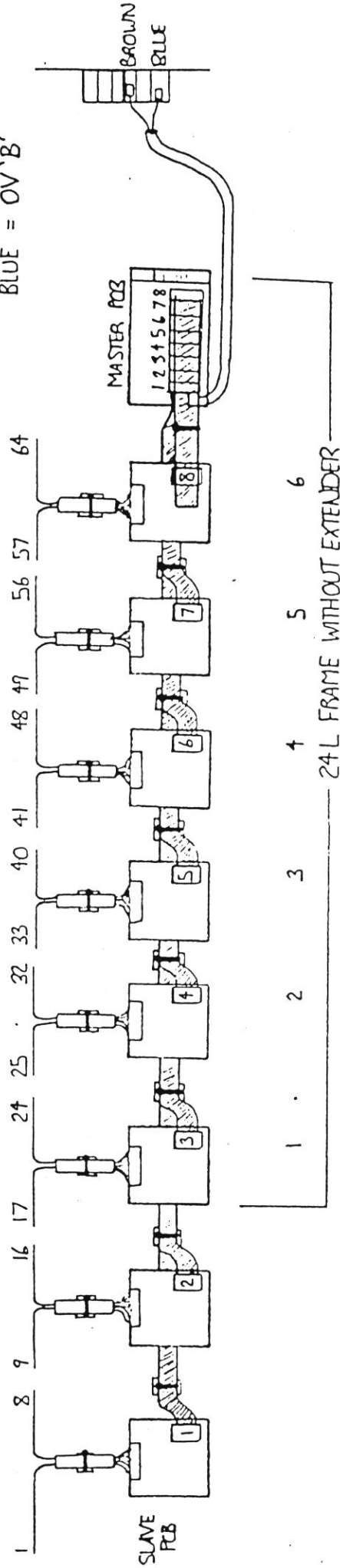
CHANNEL NUMBER

1	2	3	4	5	6	7	8
9	10	11	12	13	14	15	16
17	18	19	20	21	22	23	24
25	26	27	28	29	30	31	32
33	34	35	36	37	38	39	40
41	42	43	44	45	46	47	48
49	50	51	52	53	54	55	56
57	58	59	60	61	62	63	64



MUTE WIRE PLUGS INTO FADER HARNESS - MATES WITH PIN 7 (WHITE WIRE)

BROWN = +15V DC 'B'  
BLUE = 0V 'B'



**AHB**  
ALLEN & HEATH BREWELL LTD  
PROFESSIONAL AUDIO EQUIPMENT  
MANUFACTURERS

DESIGN DEPT. 69, SAMP STREET, BRISTOL, BR1 4JH  
FACTORY, KENNES INDUSTRIAL EST, PENYFN, CORNWALL, TR10 9AA

DRAWING No. CD 5-11-86/1 Issue 1

TITLE

SIGMA AUTO-MUTE — ASSEMBLY INTO MIXER

DRG. No.

CD 5-11-86/1

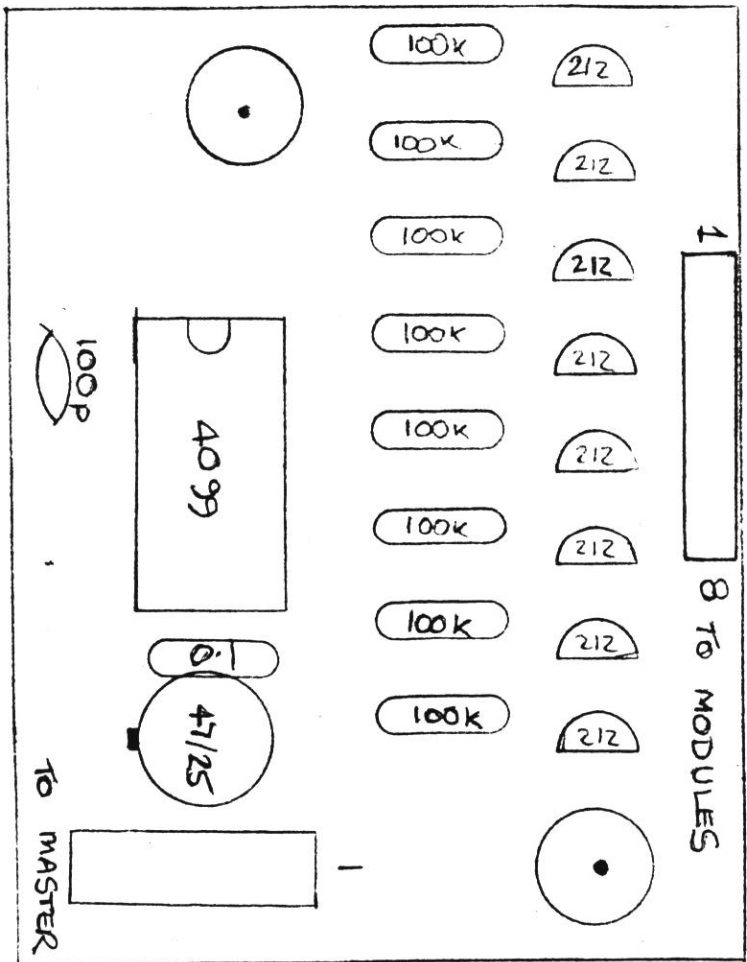


ANB

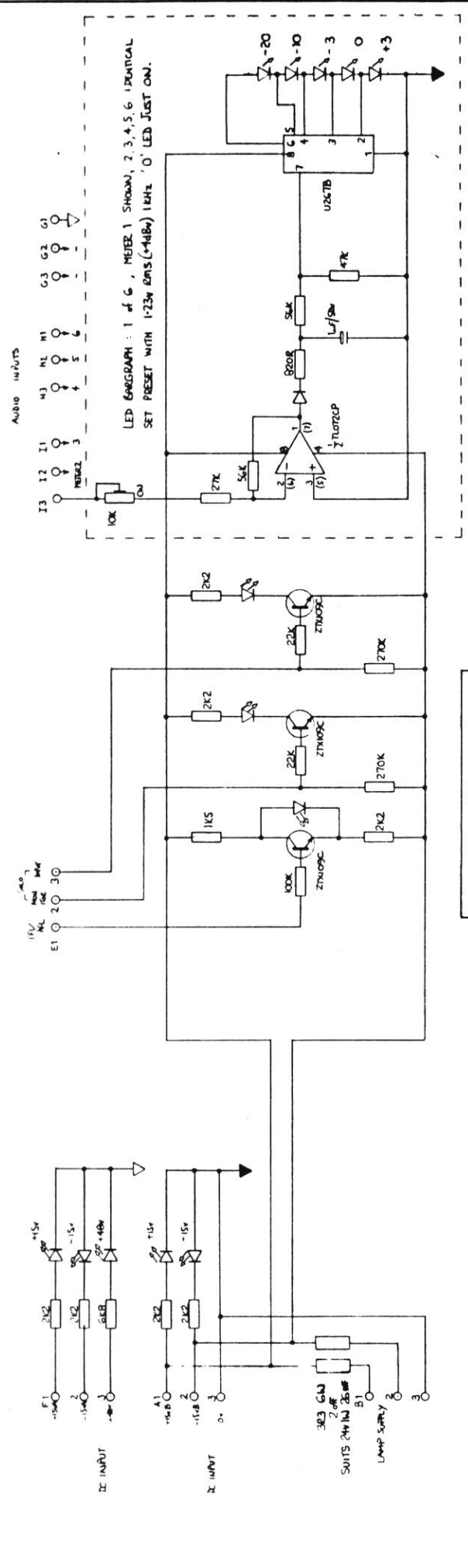
AUTO MUTE

SLAVE

AQ 0167

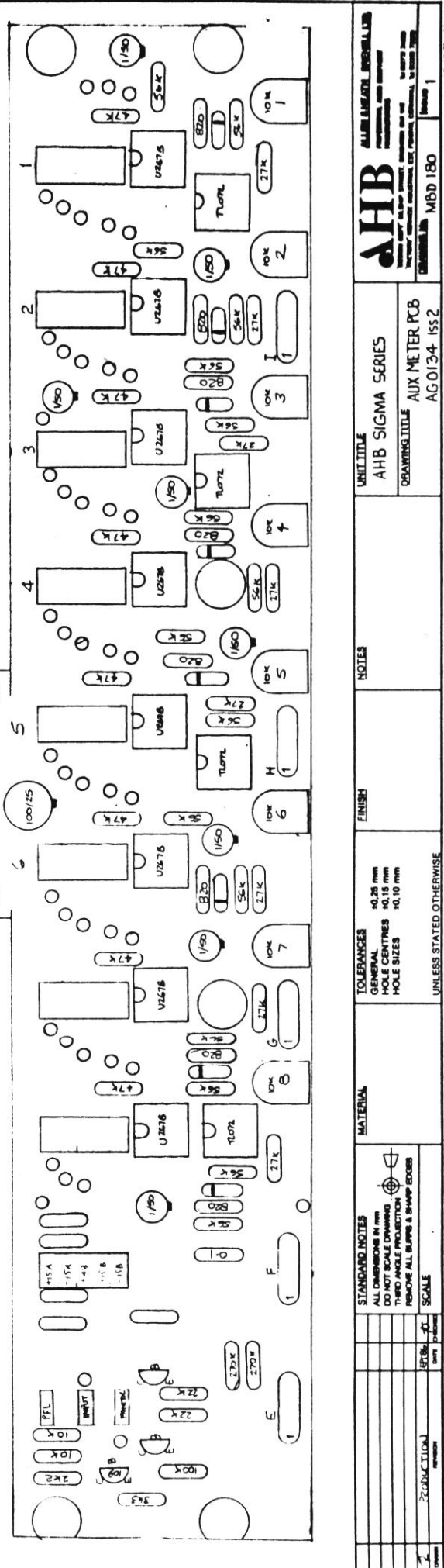


ON DIMENSIONS



COMPONENT-SIDE VIEW

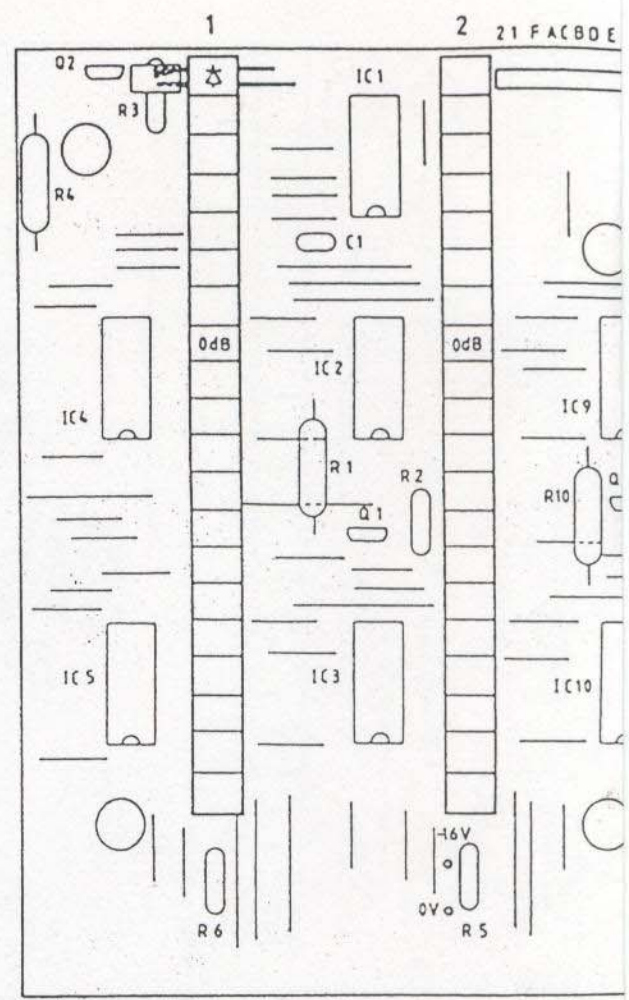
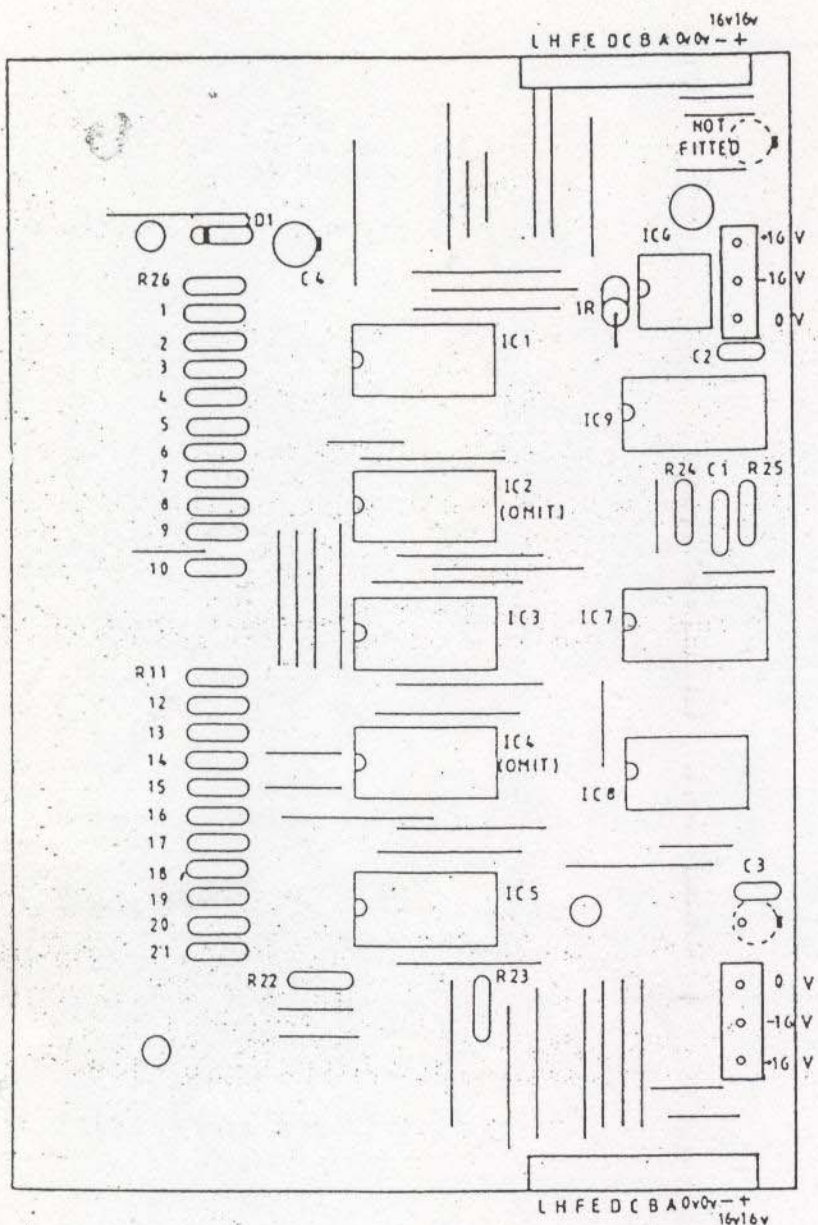
PCB AHB AUX METER AG0134 ISS 2



DATE	BY	CHKD BY	REV	DESCRIPTION
SCALE				
STANDARD NOTES				
ALL DIMENSIONS IN MM				
DO NOT SCALE DRAWING				
THIRD ANGLE PROJECTION				
REMOVE ALL BURRS & SHARP EDGES				
MATERIAL				
FINISH				
TOLERANCES				
GENERAL 40.26 mm				
HOLE CENTRES 40.18 mm				
HOLE SIZES 40.10 mm				
UNLESS STATED OTHERWISE				
UNIT TITLE			NOTES	
AHB SIGMA SERIES				
DRAWING TITLE			AG0134 ISS 2	
AUX METER PCB				
MATERIAL			MATERIAL	
FINISH			FINISH	
TOLERANCES			TOLERANCES	
GENERAL			GENERAL	
HOLE CENTRES			HOLE CENTRES	
HOLE SIZES			HOLE SIZES	
UNLESS STATED OTHERWISE			UNLESS STATED OTHERWISE	



MBD 180

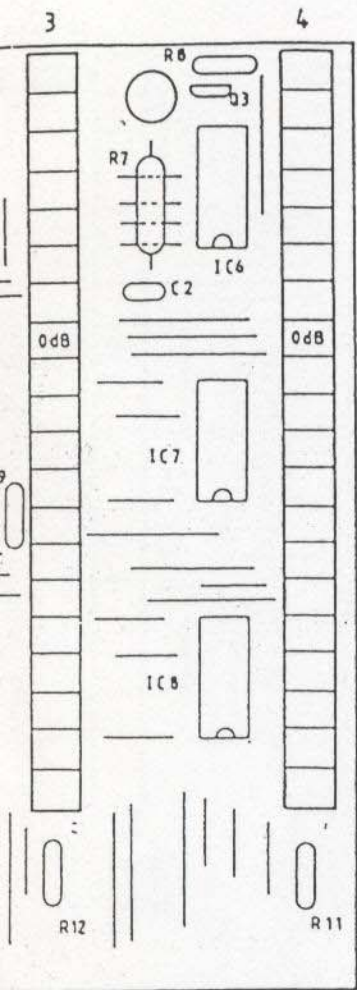


MASTER PCB. AG 0192 ISS. 3

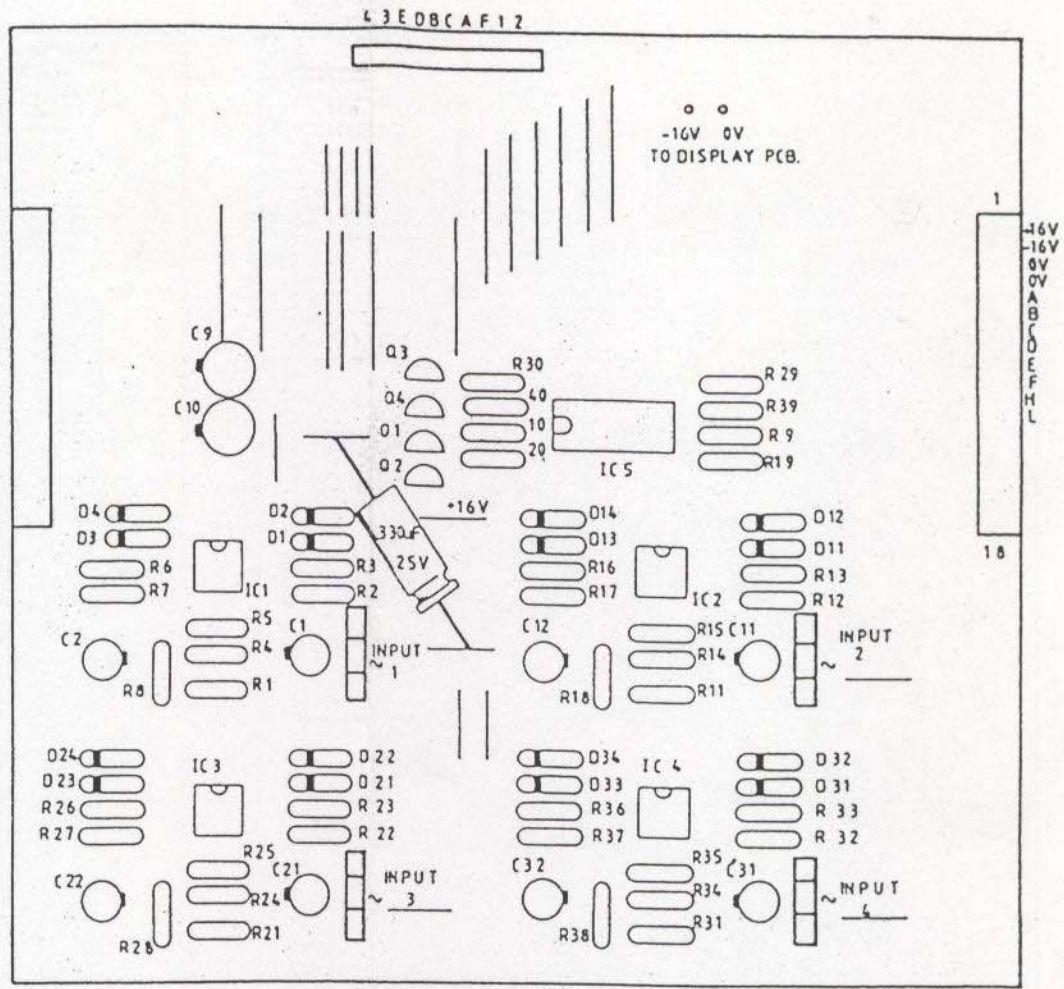
ALLEN&HEATH  
BARGRAPH METERS

DRAWING NO. BW 223 ISS. 1





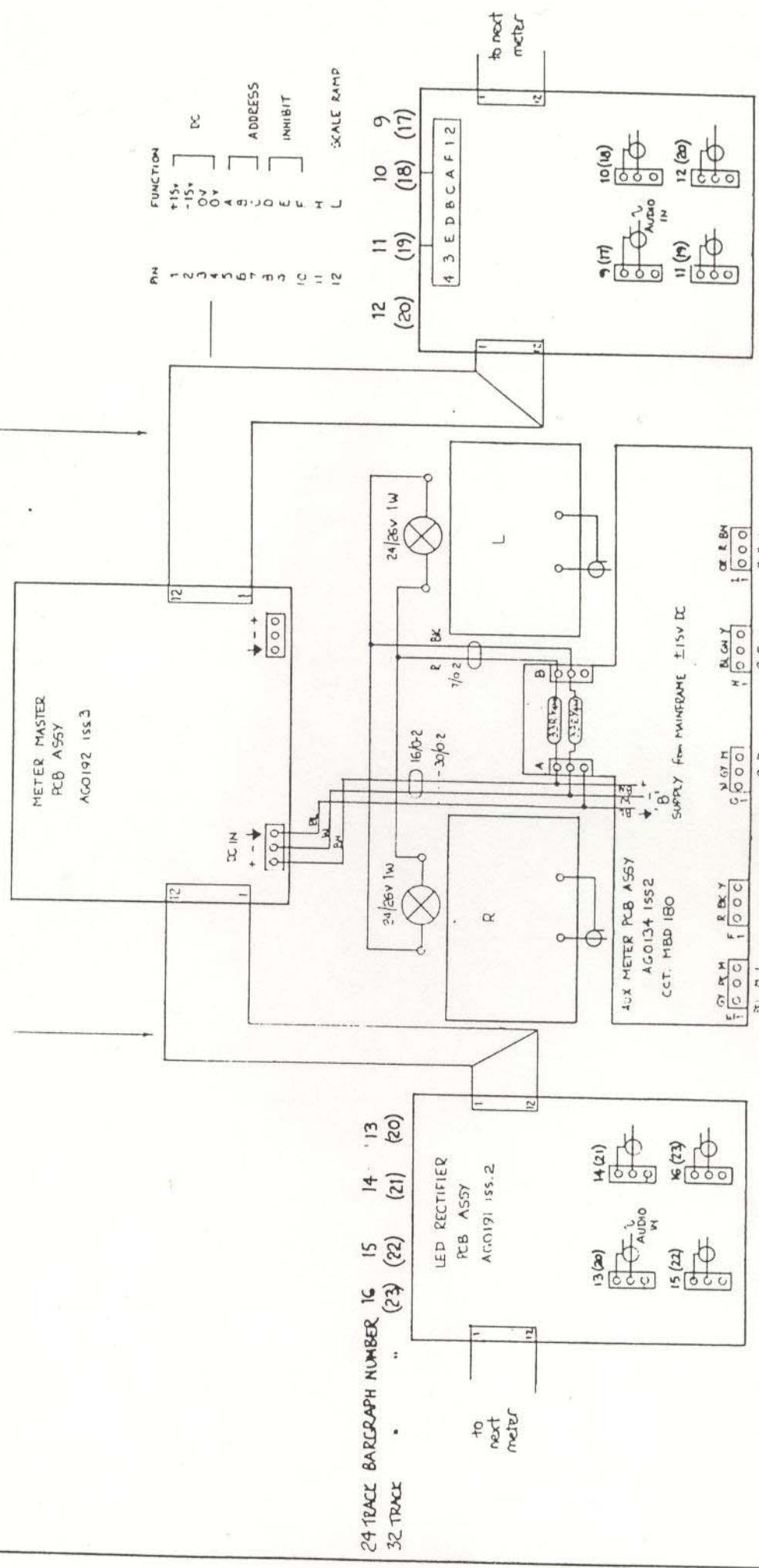
PLAY PCB. AG 0190 ISS. 2



RECTIFIER PCB. AG 0191 ISS. 3

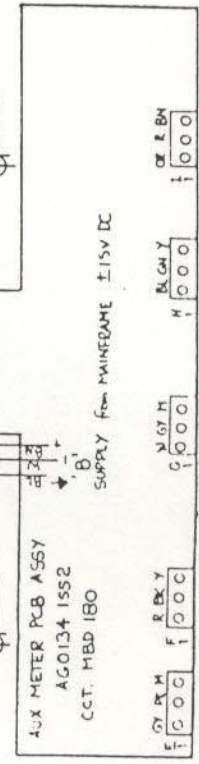
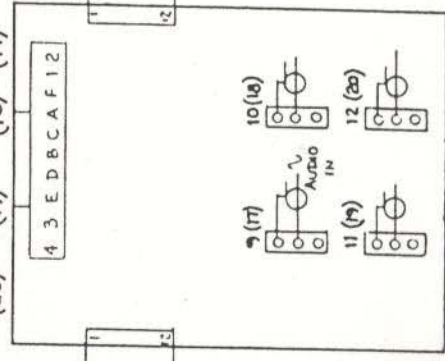
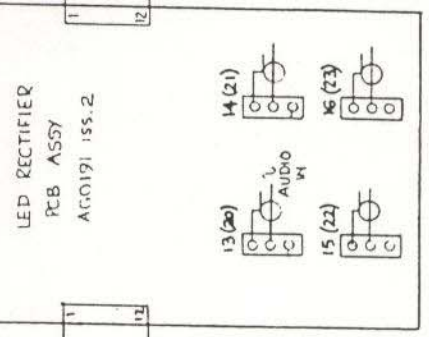
ONE DRAWING

HARNESSES DWG A165



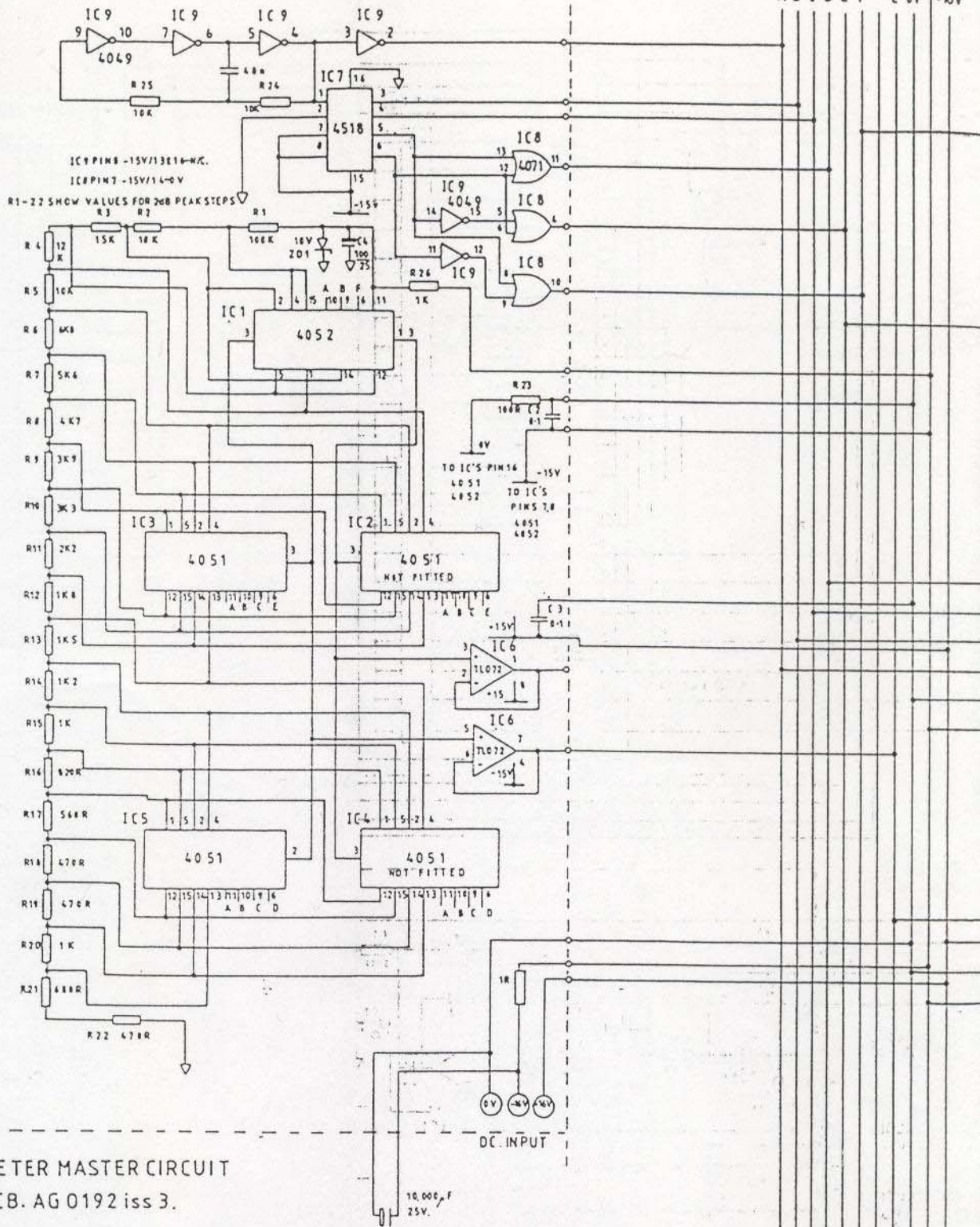
Pin	Function
1	+15V
2	-15V
3	OV
4	A
5	B
6	C
7	D
8	E
9	F
10	H
11	L
12	DC

24 TRACE BAROGRAPH NUMBER 16 (23)  
32 TRACE " " (20)



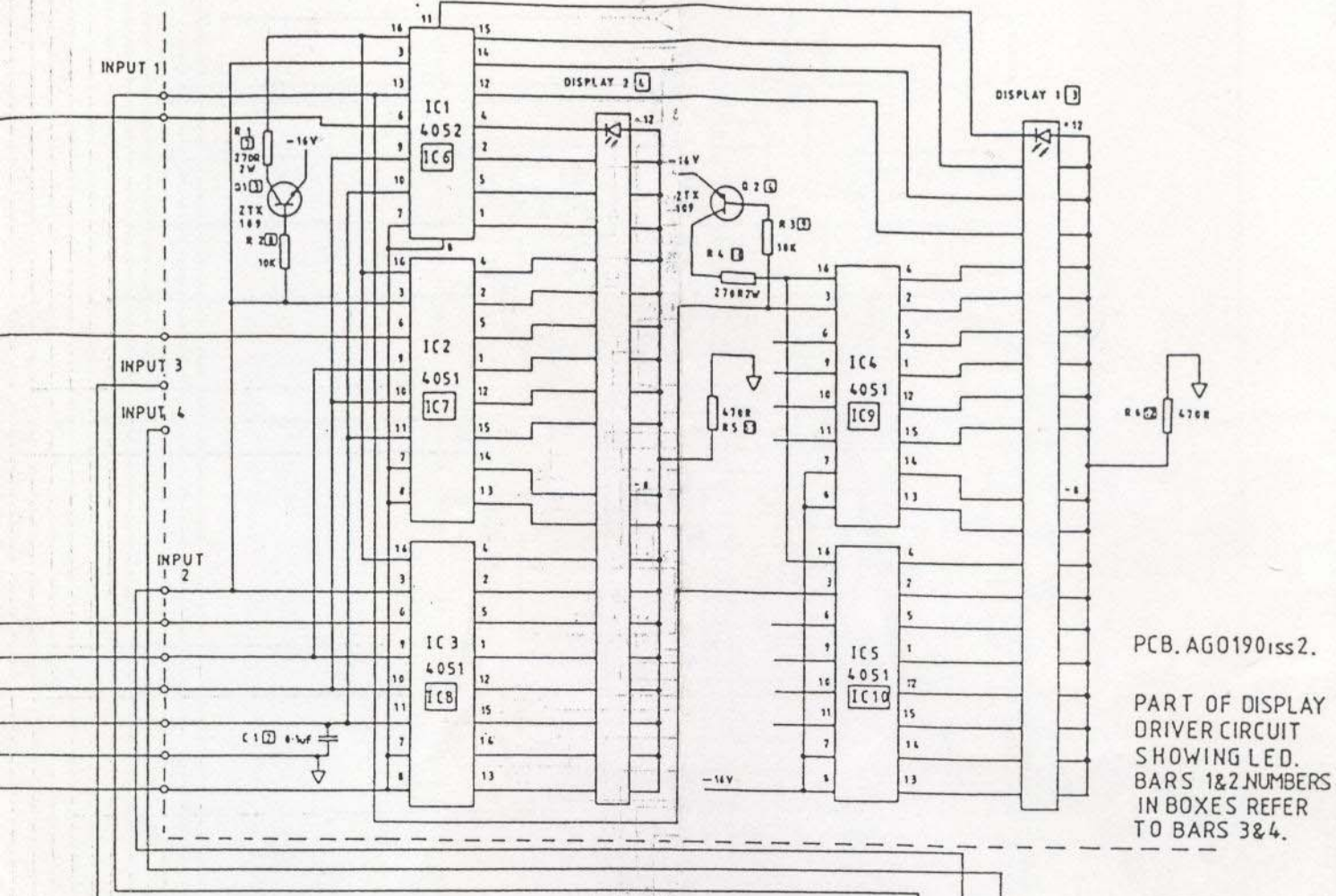
<p>STANDARD NOTES</p> <p>ALL DIMENSIONS IN mm</p> <p>DRAWING SCALE DIMENSIONS</p> <p>INDICATE ALL SURF. &amp; SHARP EDGES</p>		<p>MATERIAL</p> <p>GENERAL: 10.25 mm</p> <p>HOLE CENTRES: 10.15 mm</p> <p>HOLE SIZES: 10.10 mm</p>		<p>FINISH</p> <p>CTT: MBD 189 1SS 2</p> <p>APPLIES</p>		<p>UNIT TITLE</p> <p>AHB SIGMA SERIES</p> <p>CONTRACT TITLE: BAROGRAPH</p> <p>METER-BRIDGE WIRING</p>		<p>DATE: 1980.08.20</p> <p>BY: MBD 220</p>	
<p>TOLENCES</p> <p>GENERAL: ±0.25 mm</p> <p>HOLE CENTRES: ±0.15 mm</p> <p>HOLE SIZES: ±0.10 mm</p>		<p>FINISH</p> <p>CTT: MBD 189 1SS 2</p> <p>APPLIES</p>		<p>UNIT TITLE</p> <p>AHB SIGMA SERIES</p> <p>CONTRACT TITLE: BAROGRAPH</p> <p>METER-BRIDGE WIRING</p>		<p>DATE: 1980.08.20</p> <p>BY: MBD 220</p>		<p>TOLENCES</p> <p>GENERAL: ±0.25 mm</p> <p>HOLE CENTRES: ±0.15 mm</p> <p>HOLE SIZES: ±0.10 mm</p>	





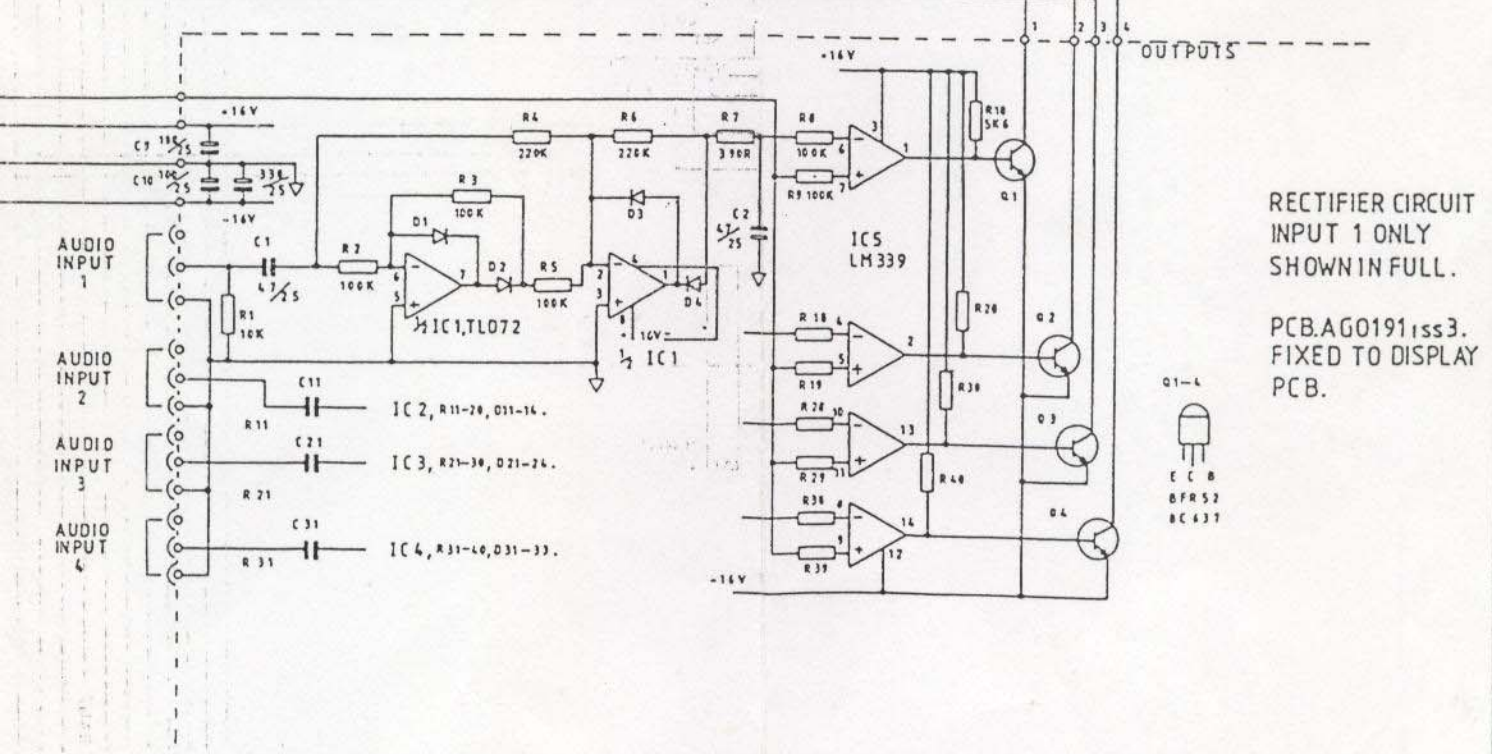
STANDARD NOTES		MATERIAL		TOLERANCES	
ALL DIMENSIONS IN mm. DO NOT SCALE DRAWING. THIRD ANGLE PROJECTION REMOVE ALL BURRS & SHARP EDGES				GENERAL ±0.25 mm HOLE CENTRES ±0.15 mm HOLE SIZES ±0.10 mm	
SCALE				UNLESS STATED OTHERWISE	
E. J.	1188				
DRAWN	REVIEW	DATE		CHECKED	





PCB.AG0190iss2.

PART OF DISPLAY DRIVER CIRCUIT SHOWING LED BARS 1&2 NUMBERS IN BOXES REFER TO BARS 3&4.



RECTIFIER CIRCUIT INPUT 1 ONLY SHOWN IN FULL.

PCB.AG0191iss3. FIXED TO DISPLAY PCB.



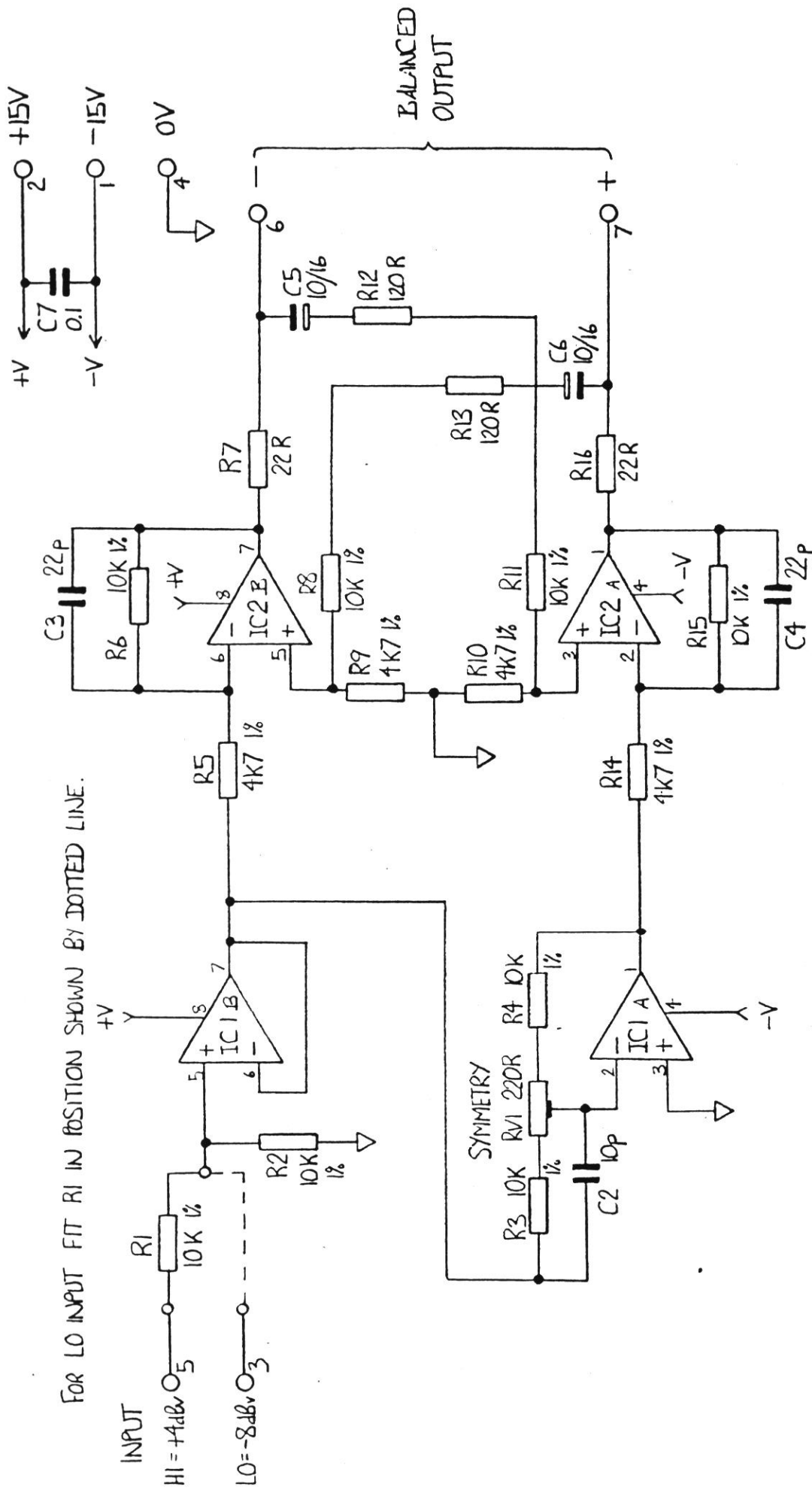
NOTES  
 APPLIES TO PCB TYPES:  
 MASTER - AG0192 iss. 3  
 RECTIFIER - AG0191 iss. 3  
 DISPLAY - AG0190 iss. 2

UNIT TITLE  
 ALLEN & HEATH  
 DRAWING TITLE  
 BARGRAPH METER CIRCUIT

**AHB** ALLEN & HEATH BRENELL LTD  
 PROFESSIONAL AUDIO EQUIPMENT MANUFACTURERS  
 DESIGN DEPT. 94 SHIP STREET, BRIMFORD, BIRMINGHAM B36 7JH  
 FACTORY: KENNEDY INDUSTRIAL EST. PENYTH, CORNWALL PL33 8EJ  
 DRAWING No. MBD 189 ISSUE 5

ALL RESISTORS ARE 1/4 WATT 5% UNLESS MARKED OTHERWISE

FOR LO INPUT FIT R1 IN POSITION SHOWN BY DOTTED LINE.



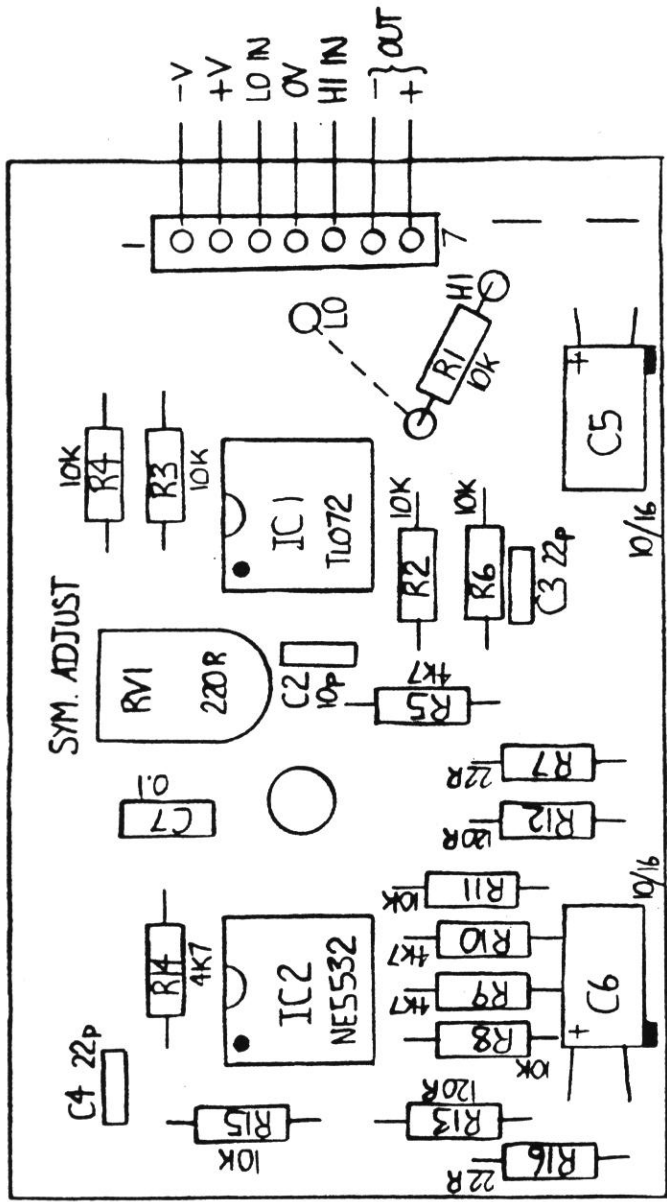
**AHIB**  
 ALLEN & HEATH REYNOLDS LTD  
 PROFESSIONAL AUDIO EQUIPMENT  
 MANUFACTURERS  
 DESIGN DEPT. 68, SHIP STREET, BRIMPTON BN1 1AE TEL 01278 24808  
 FACTORY: KENNEDY INDUSTRIAL EST. PENNYTH, CORNWALL TR 01326 72070  
 DRAWING NO. A137 18 AUG 2

TITLE  
 EBOS - OPTION PCB CIRCUITS  
 ELECTRONICALLY BALANCED OUTPUT SYSTEM  
 DRAWN BY CD 29-7-86

PCB TYPE AG0117 ISSUE 2  
 DRG.No. A137 ISSUE 2



EBOS COMPONENT SIDE AG0117 ISSUE 2



**AHB**

**ALLEN & HEATH BRENELL LTD.**

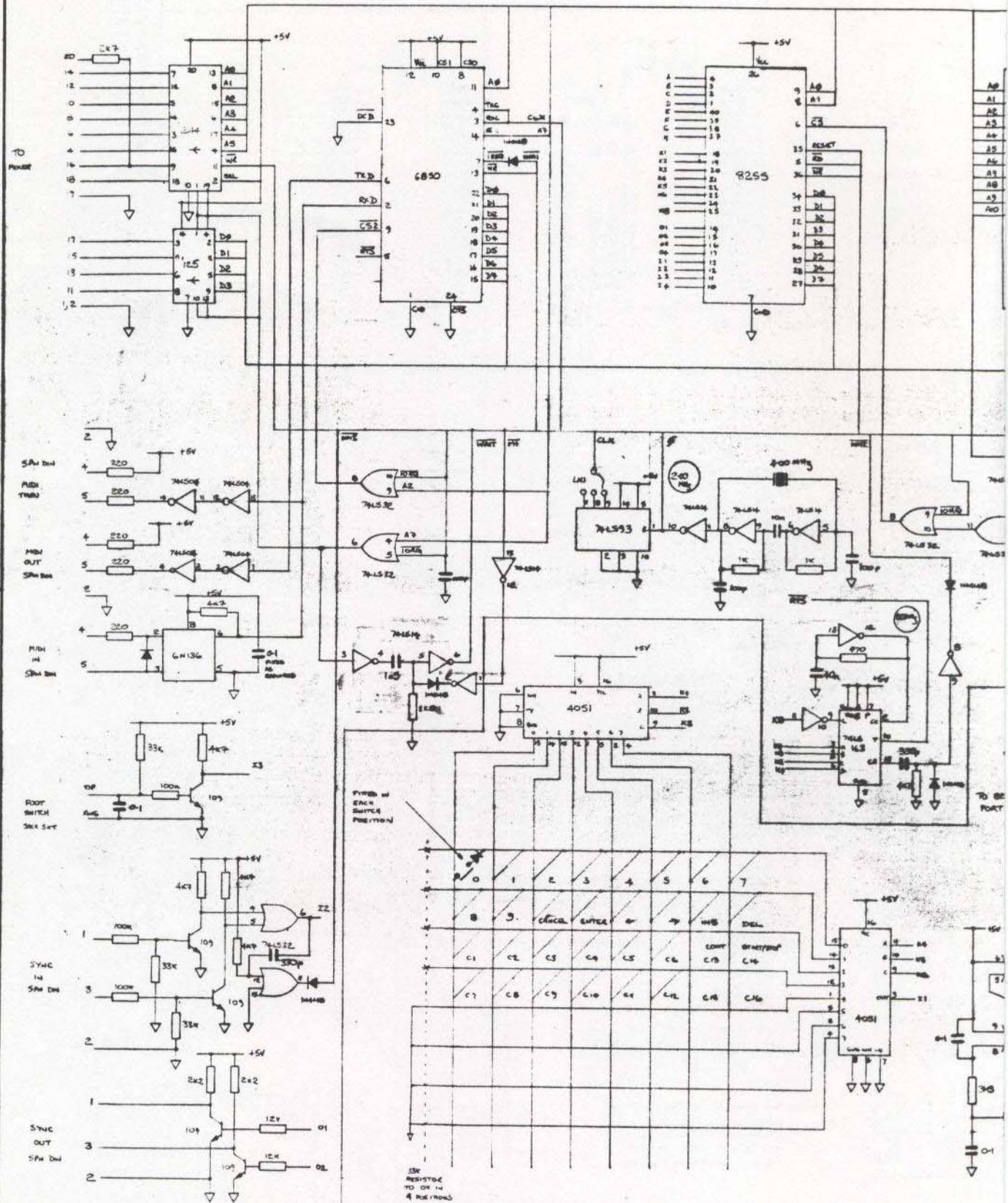
PROFESSIONAL AUDIO EQUIPMENT  
MANUFACTURERS

DESIGN DEPT. 69, SHIP STREET, BRIGHTON BN1 1AE Tel 102731 24928  
FACTORY, KERNICK INDUSTRIAL EST, PENRYN, CORNWALL, Tel 103261 72070

DRAWING No.

BW 192

Issue 2



REV	REVISION	DATE	CHECKED
1	REV UPDATES	28/7/85	
2	REV UPDATES	7/2/85	
3	REV UPDATES	10/1/85	

**STANDARD NOTES**  
 ALL DIMENSIONS IN mm  
 DO NOT SCALE DRAWING  
 THIRD ANGLE PROJECTION  
 REMOVE ALL BURRS & SHARP EDGES

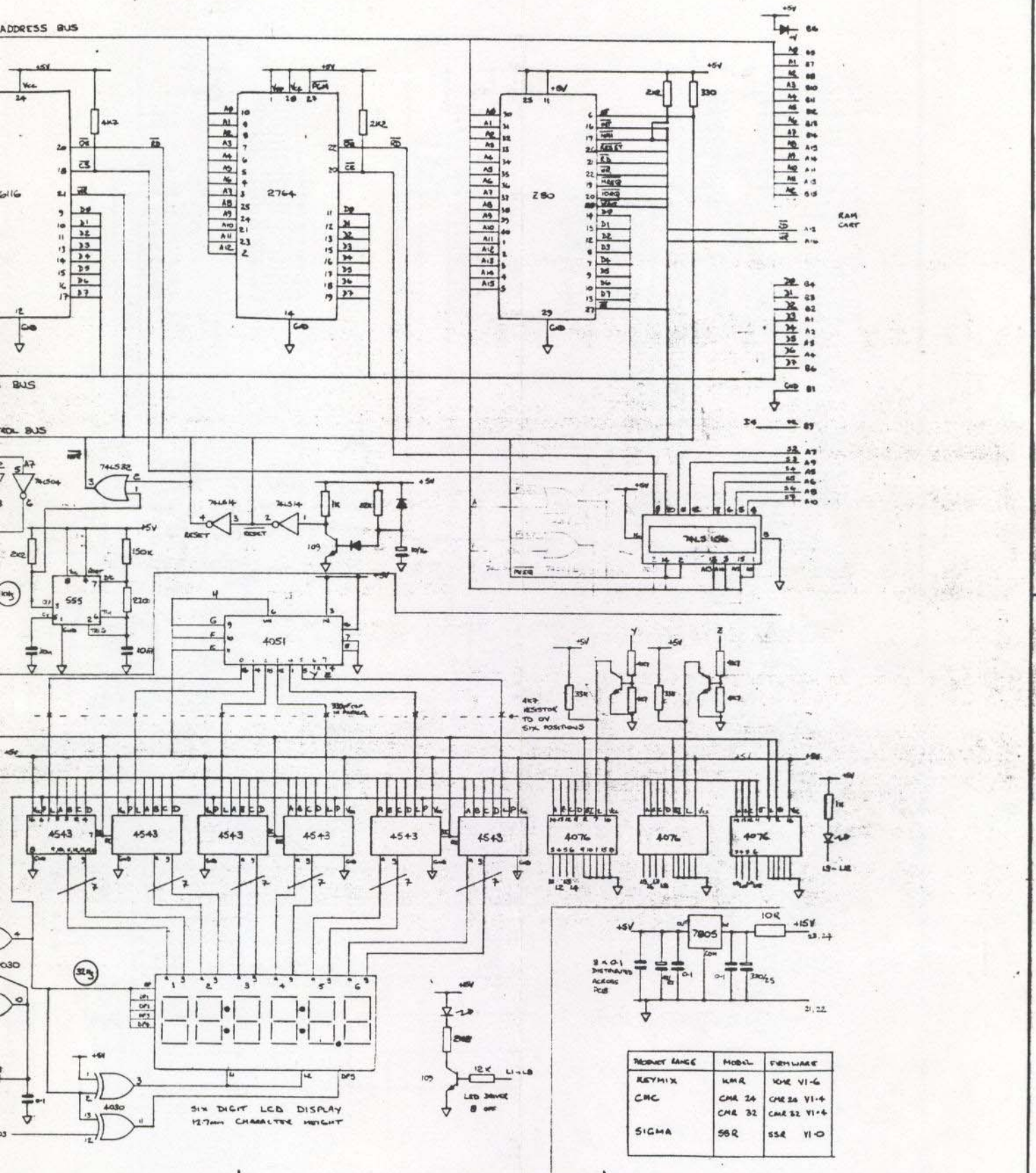
**SCALE**

**MATERIAL**

**TOLERANCES**  
 GENERAL ±0,25 mm  
 HOLE CENTRES ±0,15 mm  
 HOLE SIZES ±0,10 mm

UNLESS STATED OTHERWISE





FINISH

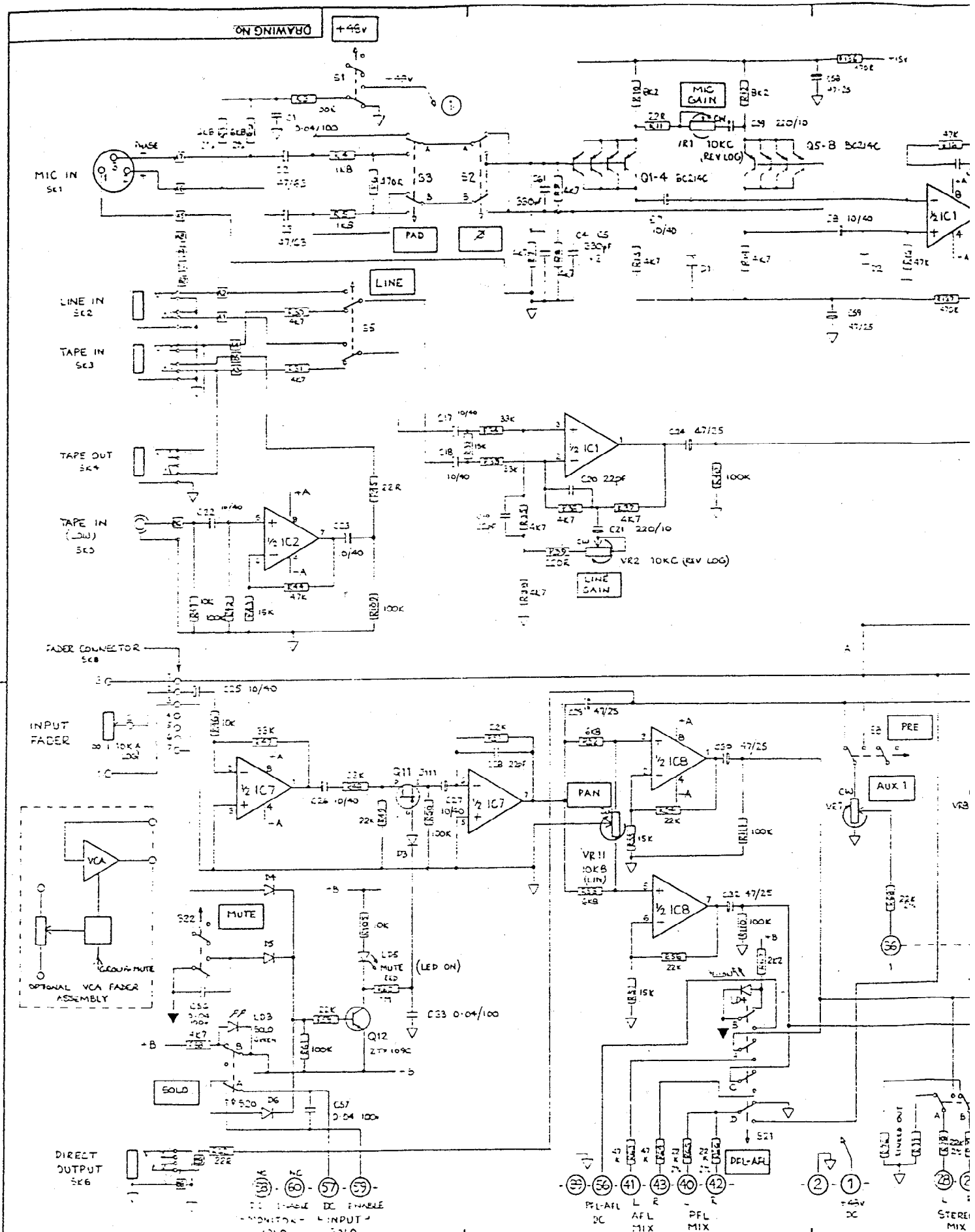
NOTES

UNIT TITLE  
 KMIX REMOTE CIRCUIT  
 DRAWING TITLE

PRODUCT RANGE	MODEL	FIRMWARE
KEYMIX	KMR	10HE V1-G
CMC	CMR 24	CMR 24 V1+4
	CMR 32	CMR 32 V1+4
SIGMA	56R	55E V1-0

**AHB** ALLEN & HEATH BUSINESS LTD  
 PROFESSIONAL AUDIO EQUIPMENT MANUFACTURERS  
 DESIGN DEPT 64, 54-P STREET, BRIDGTON BN1 1AE TEL 01273 24888  
 FACTORY KERRICK INDUSTRIAL EST, PENRYN, CORNWALL, PL30 2BQ

DRAWING No MBD 141 Issue 4



STANDARD NOTES		MATERIAL		TOLERANCES		FINISH	
ALL DIMENSIONS IN mm				GENERAL ±0.25 mm			
DO NOT SCALE DRAWING				HOLE CENTRES ±0.15 mm			
THIRD ANGLE PROJECTION				HOLE SIZES ±0.10 mm			
REMOVE ALL BURRS & SHARP EDGES							
SCALE				UNLESS STATED OTHERWISE			

REV	REVISION	DATE	BY	CHKD
1				
2				
3				

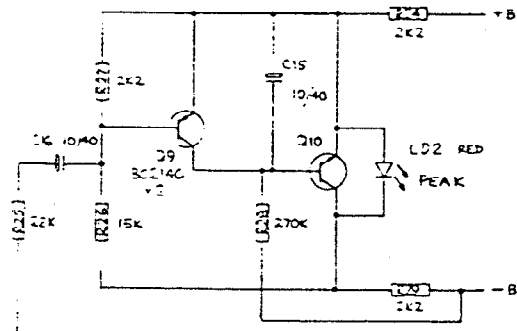
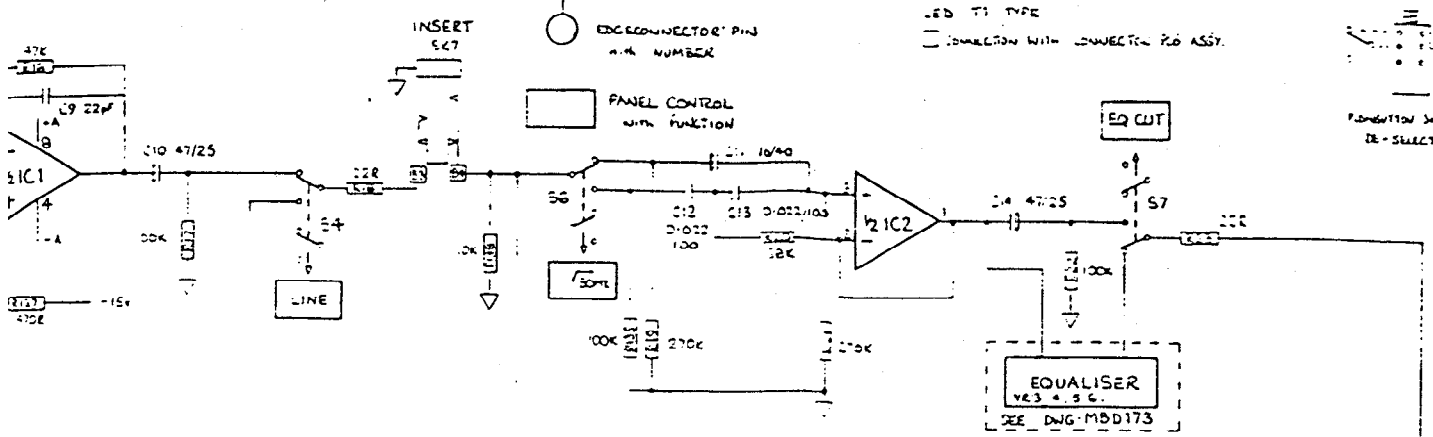
VIEW ON PINS



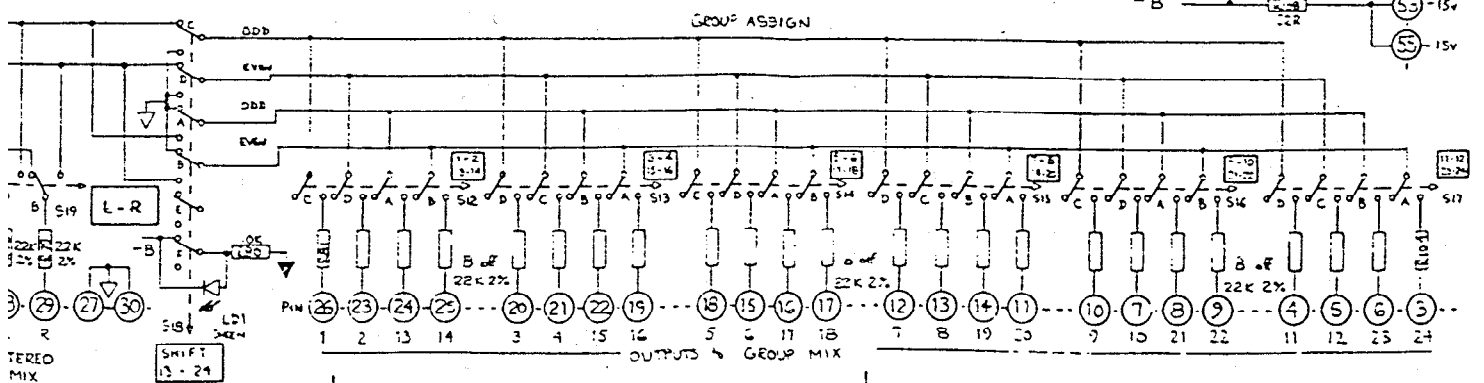
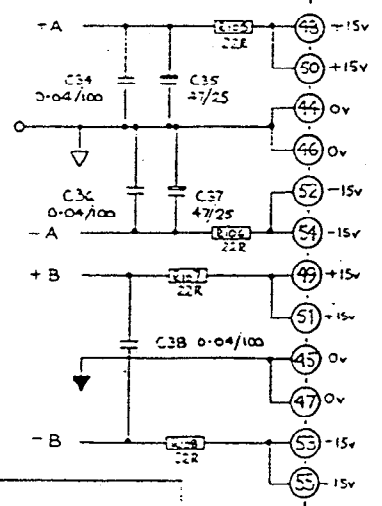
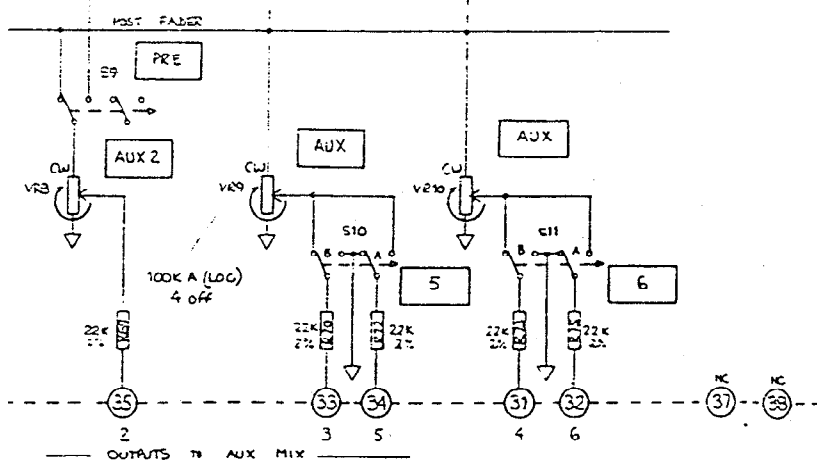
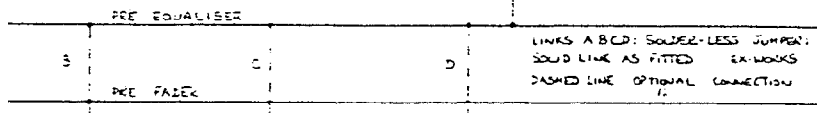
of 1  
IN 1  
IN 2  
INPUT 2  
ALL OP. AMPS

RESISTORS 1/4W 5% UNLESS STATED.  
CAPACITORS SHOWN VALUE/VOLTAGE  
PUSHBUTTON SWITCHES SHOWN DE-SELECTED  
DIODES 1N4148 OR EQUIV  
LED T1 TYPE  
[ ] CONNECTION WITH CONNECTOR PLO ASSY.

REVISED  
111  
19



LINKS A B C D: SOLDER-LESS JUMPER;  
SOLID LINE AS FITTED EX-WORKS  
DASHED LINE OPTIONAL CONNECTION

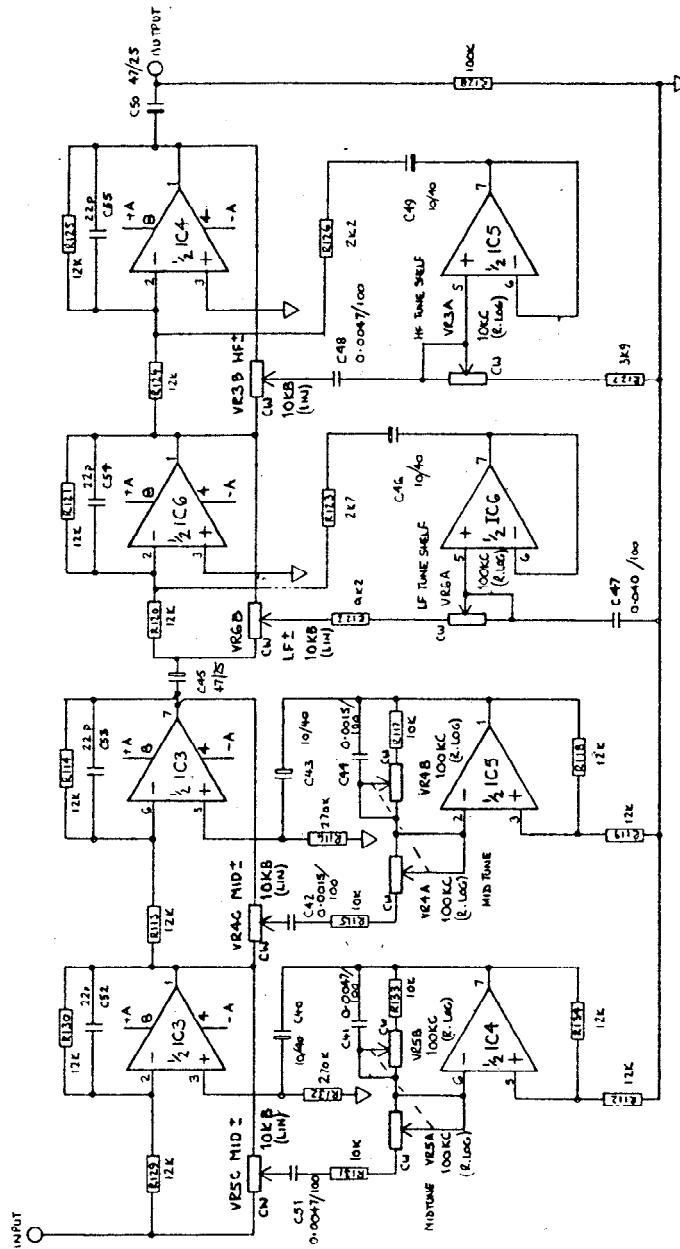
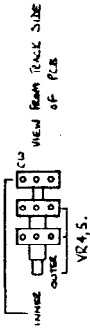
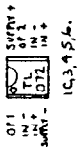


NOTES  
APPLIES TO PCB AG0128 156 3  
AG0129 155 3

UNIT TITLE  
AHB SIGMA SERIES  
DRAWING TITLE  
INPUT CHANNEL MODULE M410

**AHB** ALLEN & HEATH BRONNELL LTD.  
PROFESSIONAL AUDIO EQUIPMENT MANUFACTURERS  
DESIGN DEPT. 64-50P STREET, BRIMPTON BN1 1AE  
FACTORY: KENNER INDUSTRIAL EST PENNYHILL, WIMBORNE  
DRAWING NO. MBD172

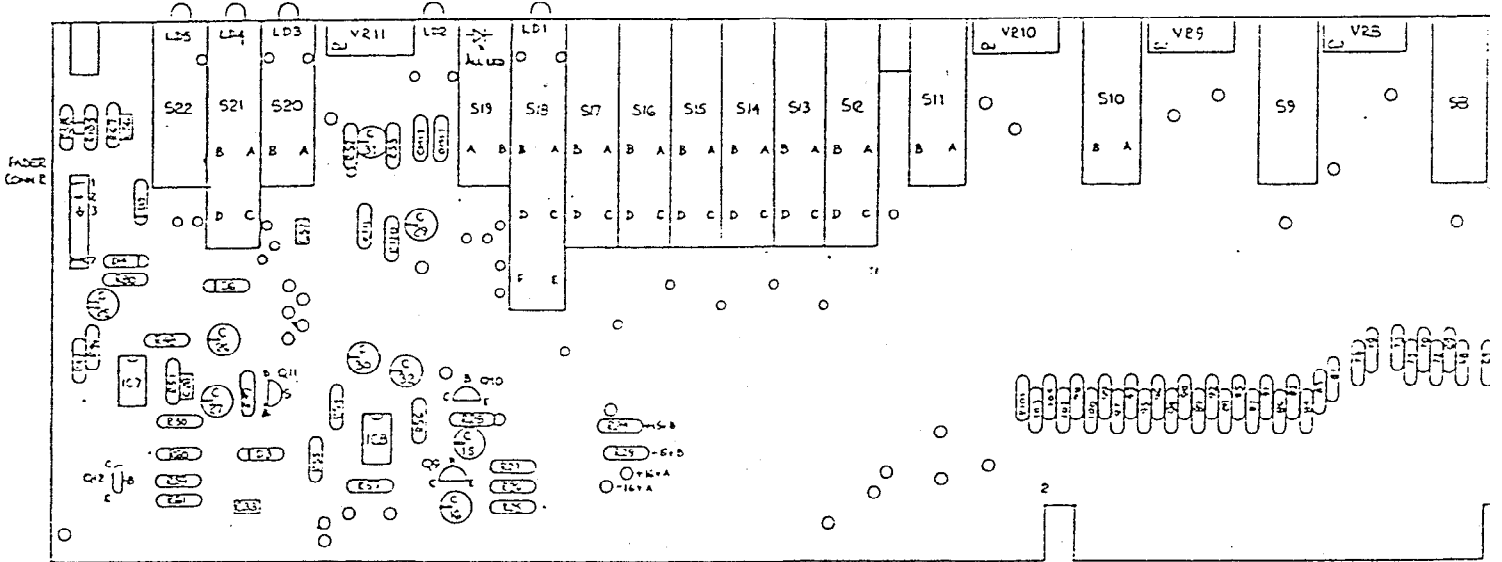
RESISTORS 1/4W 5% UNLESS STATED OTHERWISE  
 CAPACITORS SHOWS VALUE/VOLTAJE  $\frac{1}{2}$ —  
 472K = (47.100) pF, 10% = 0.00472f



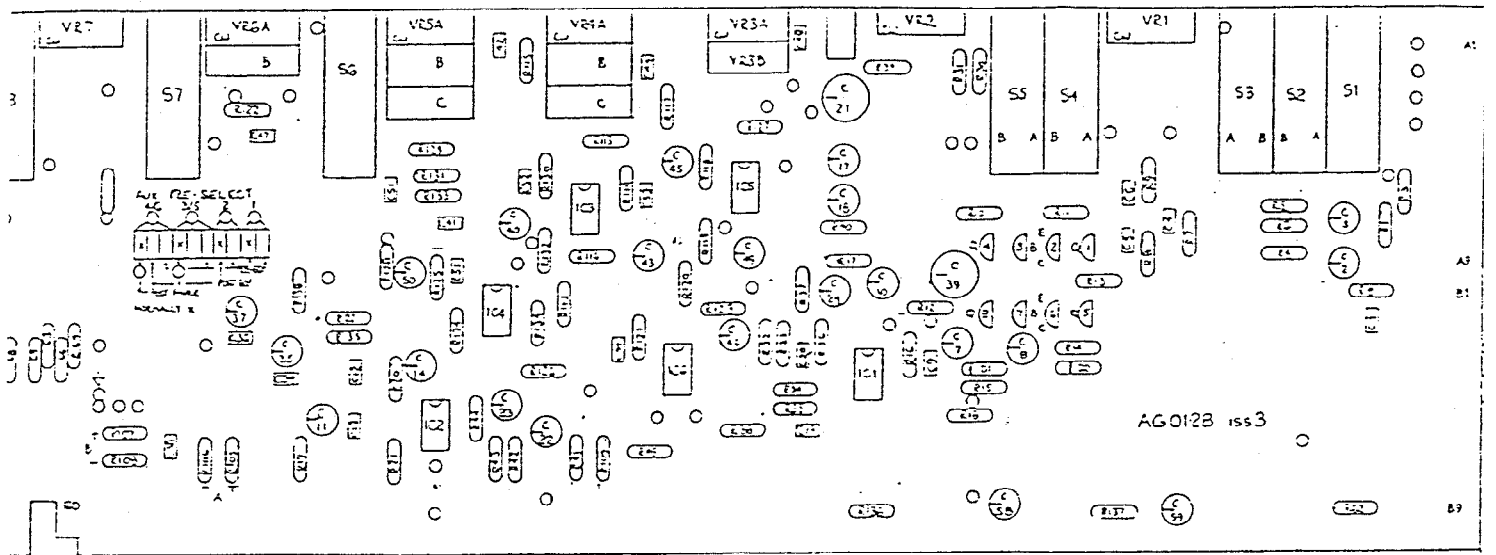
UNIT TITLE: AHB SIGMA SERIES  
 DRAWING TITLE: EQUALISER CIRCUIT, INPUT CHANNEL.  
 for MODULE M410

NOTES:  
 1. PART OF PCB AG012B INPUT CHANNEL

ISSUE	CHANGE	DRAWN	CHECKED	DATE
4	VALUE CHANGE C48	TL	TL	21.10.84
3	VALUE CHANGES	TL	TL	14.9.84
2	PCB IN 1 VALUE CHANGE UN.	TL	TL	27.08.84
1	-	TL	TL	18.08.83

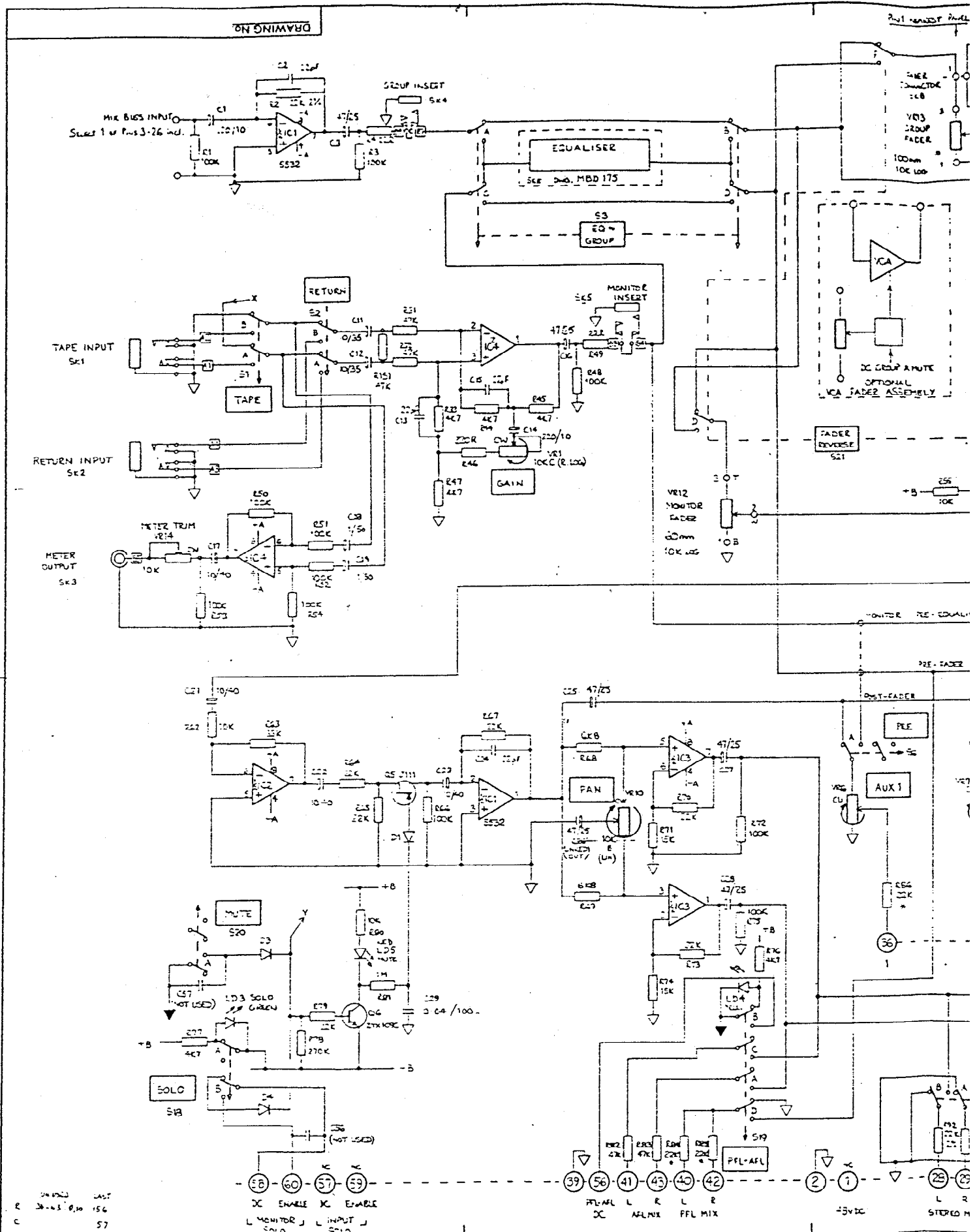


AHB SIGMA SERIES



RB ASSEMBLY AG 0128 iss 3 ZX 100-004 Part of MODULE TYPE M410

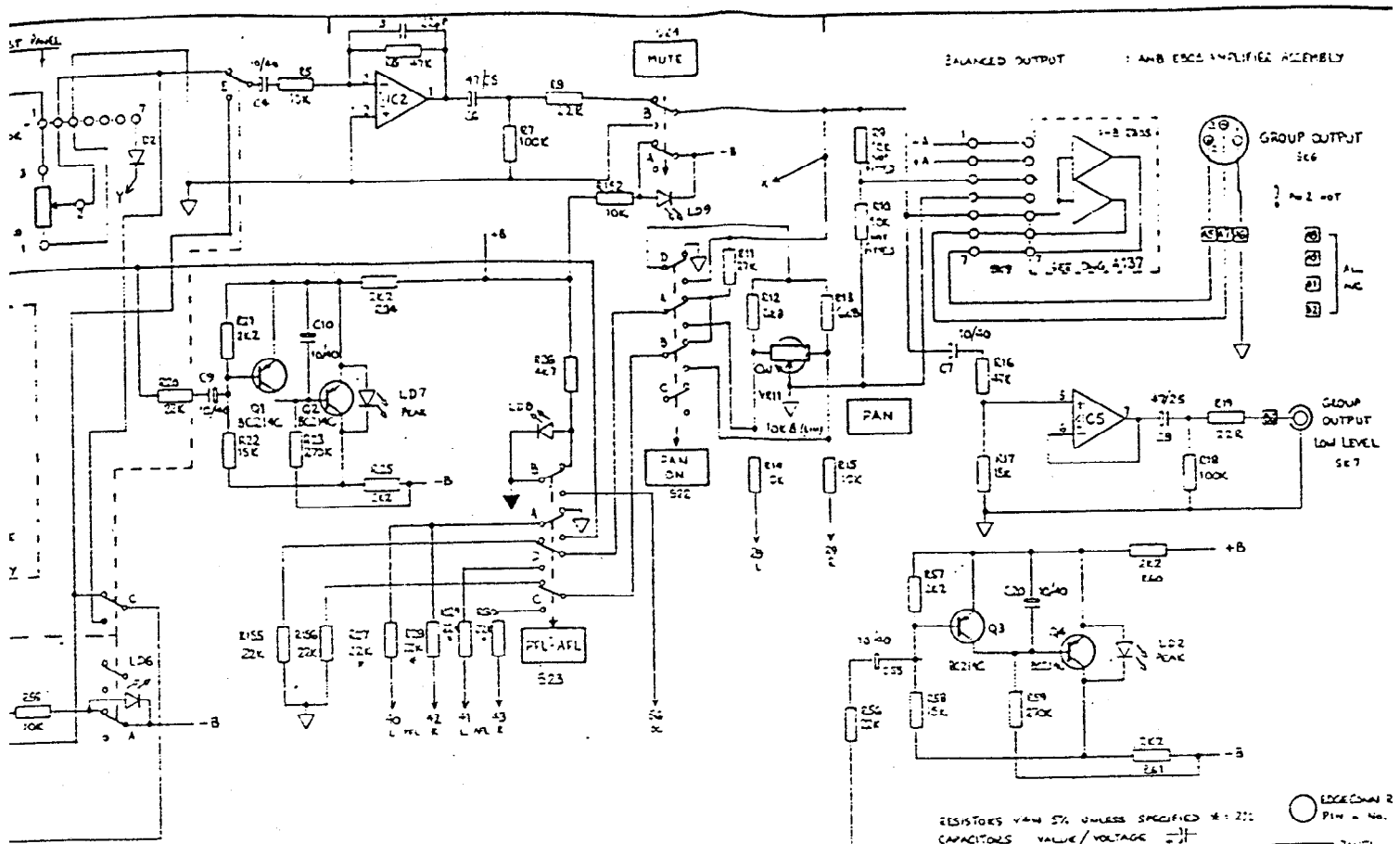




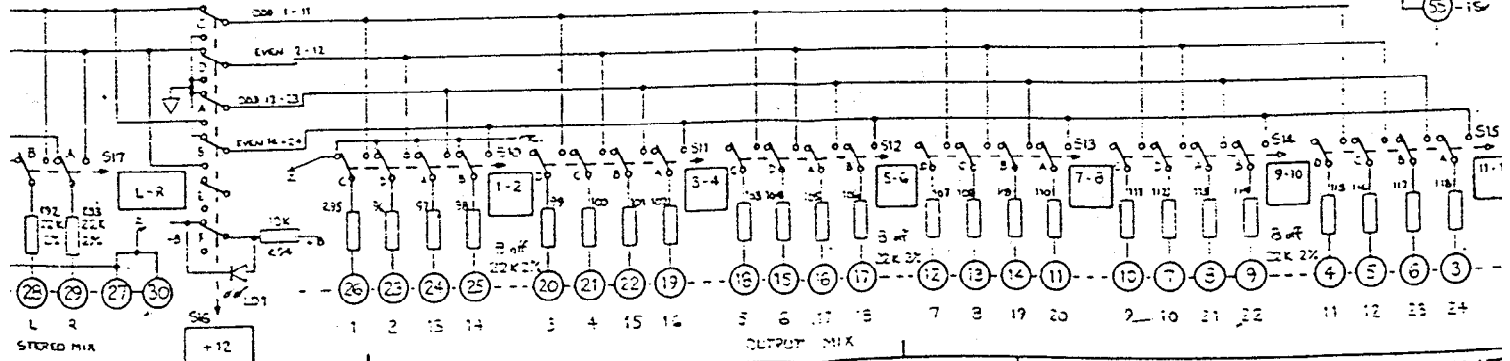
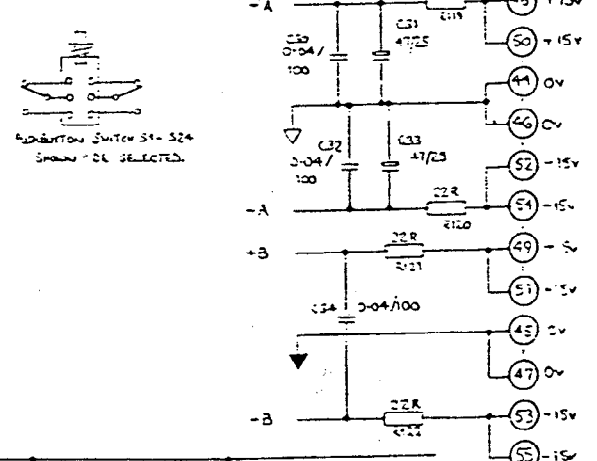
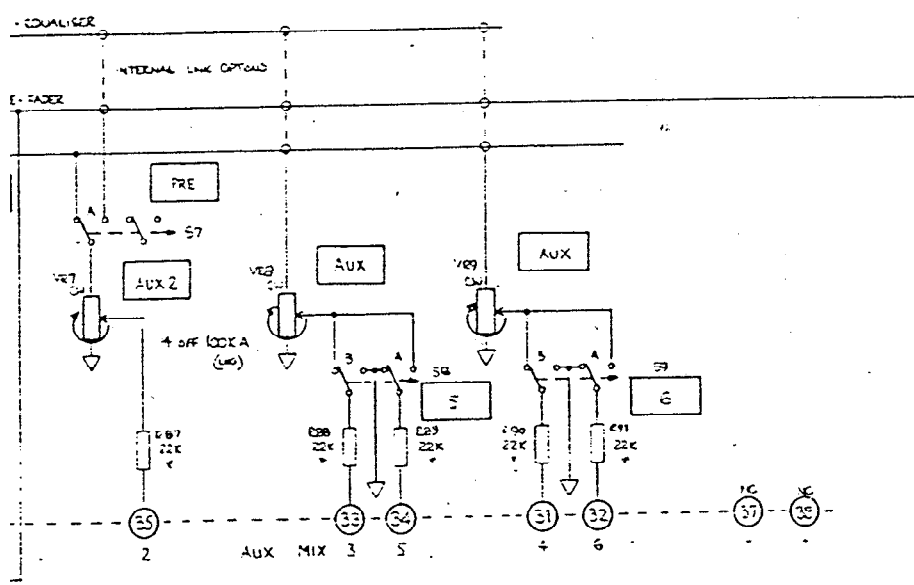
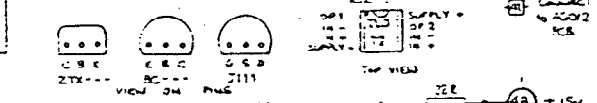
<p> <b>STANDARD NOTES</b>          ALL DIMENSIONS IN mm          DO NOT SCALE DRAWING          THIRD ANGLE PROJECTION          REMOVE ALL BURRS &amp; SHARP EDGES       </p>		<p> <b>MATERIAL</b> </p>		<p> <b>TOLERANCES</b>          GENERAL ±0.25 mm          HOLE CENTRES ±0.15 mm          HOLE SIZES ±0.10 mm       </p>		<p> <b>FINISH</b> </p>	
<p> <b>SCALE</b> </p>		<p> <b>UNLESS STATED OTHERWISE</b> </p>					

57  
 156  
 156

<p>         57          156          156       </p>	<p>         57          156          156       </p>	<p>         57          156          156       </p>	<p>         57          156          156       </p>
---	---	---	---



RESISTORS 4% 5% UNLESS SPECIFIED \* = 22%  
 CAPACITORS VALUE/VOLTAGE  
 POSITION SWITCHES SHOWN DE-SELECTED  
 DIODES 1N4148 OR EQUIV  
 LEADS 71 TYPE



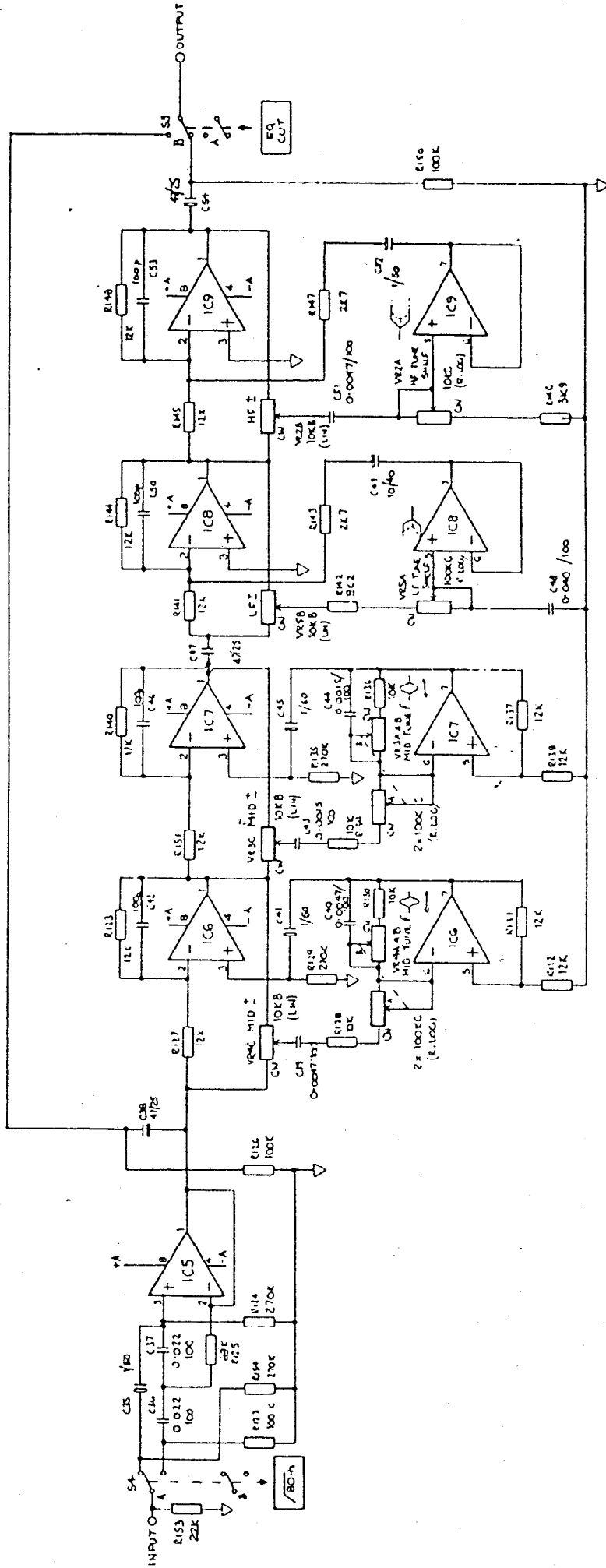
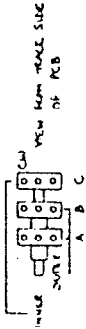
FINISH	NOTES	UNIT TITLE	<b>AHB</b> ALLEN & HEATH BROS. LTD. PROFESSIONAL AUDIO EQUIPMENT MANUFACTURERS DESIGN DEPT. 44-SHIP STREET, BRIGHTON BN1 1AE TEL 0273 71638 FACTORY: HERSCHE INDUSTRIAL EST. PENNYHORN CORNWALL PL 0328 72078
	APPLIES TO PCB AG0130 ISS 3 WITH AG0129 ISS 3	DRAWING TITLE	
		AHB SIGMA SERIES LINE INPUT-OUTPUT MODULE M420	MBD 174 ISSUE 4

M420

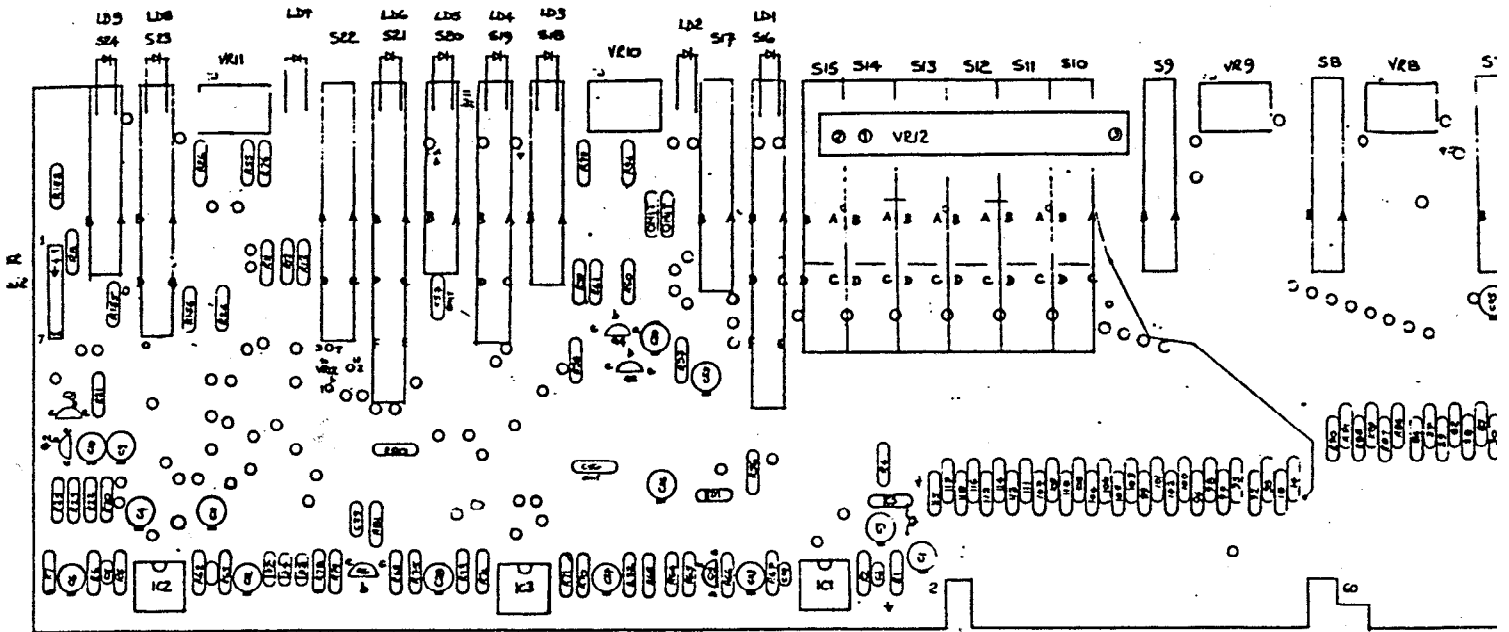
RESISTORS 1/4W 5% UNLESS SPECIFIED  
CAPACITORS SHOW VALUE/VOLTAGE

UCP  
ISC  
P. 01.14.14  
C

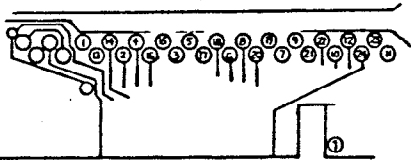
001  
002  
003  
004  
005  
006  
007  
008  
009  
010  
011  
012  
013  
014  
015  
016  
017  
018  
019  
020  
021  
022  
023  
024  
025  
026  
027  
028  
029  
030  
031  
032  
033  
034  
035  
036  
037  
038  
039  
040  
041  
042  
043  
044  
045  
046  
047  
048  
049  
050  
051  
052  
053  
054  
055  
056  
057  
058  
059  
060  
061  
062  
063  
064  
065  
066  
067  
068  
069  
070  
071  
072  
073  
074  
075  
076  
077  
078  
079  
080  
081  
082  
083  
084  
085  
086  
087  
088  
089  
090  
091  
092  
093  
094  
095  
096  
097  
098  
099  
100



STANDARD NOTES		MATERIAL		TOLERANCES		DIMENSIONS		NOTES		UNIT TITLE	
All dimensions in mm		Unless otherwise stated		Unless otherwise stated		Unless otherwise stated		Unless otherwise stated		AHE SIGMA SERIES	
All components in mm		Unless otherwise stated		Unless otherwise stated		Unless otherwise stated		Unless otherwise stated		DRAWING TITLE	
All dimensions in mm		Unless otherwise stated		Unless otherwise stated		Unless otherwise stated		Unless otherwise stated		LINE I/O EQUALISER	
All dimensions in mm		Unless otherwise stated		Unless otherwise stated		Unless otherwise stated		Unless otherwise stated		DRAWING NO.	
All dimensions in mm		Unless otherwise stated		Unless otherwise stated		Unless otherwise stated		Unless otherwise stated		MBO 175	
All dimensions in mm		Unless otherwise stated		Unless otherwise stated		Unless otherwise stated		Unless otherwise stated		PART OF PCB AGO150	
All dimensions in mm		Unless otherwise stated		Unless otherwise stated		Unless otherwise stated		Unless otherwise stated		LINE I/O MODULE	
All dimensions in mm		Unless otherwise stated		Unless otherwise stated		Unless otherwise stated		Unless otherwise stated		M3.0	
All dimensions in mm		Unless otherwise stated		Unless otherwise stated		Unless otherwise stated		Unless otherwise stated		UNLESS STATED OTHERWISE	
All dimensions in mm		Unless otherwise stated		Unless otherwise stated		Unless otherwise stated		Unless otherwise stated		SCALE	
All dimensions in mm		Unless otherwise stated		Unless otherwise stated		Unless otherwise stated		Unless otherwise stated		DATE	
All dimensions in mm		Unless otherwise stated		Unless otherwise stated		Unless otherwise stated		Unless otherwise stated		BY	
All dimensions in mm		Unless otherwise stated		Unless otherwise stated		Unless otherwise stated		Unless otherwise stated		CHECKED	
All dimensions in mm		Unless otherwise stated		Unless otherwise stated		Unless otherwise stated		Unless otherwise stated		APPROVED	



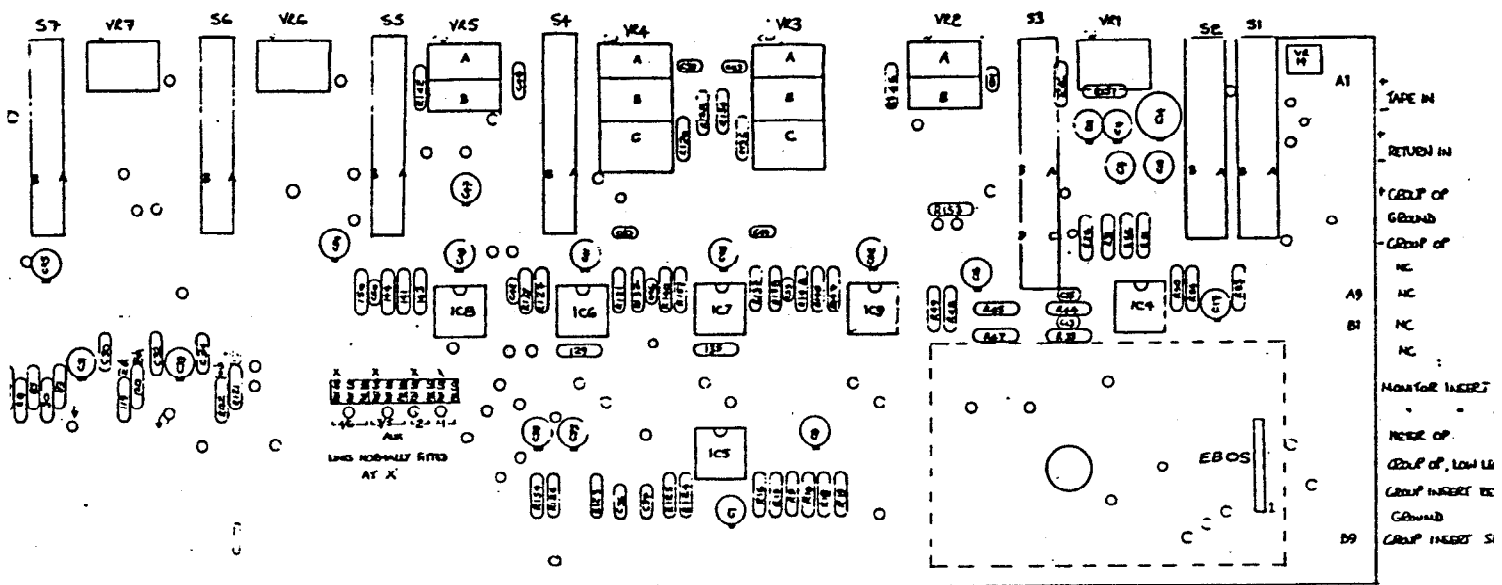
OTHER SIDE OF PCB



OTHER SIDE OF PCB

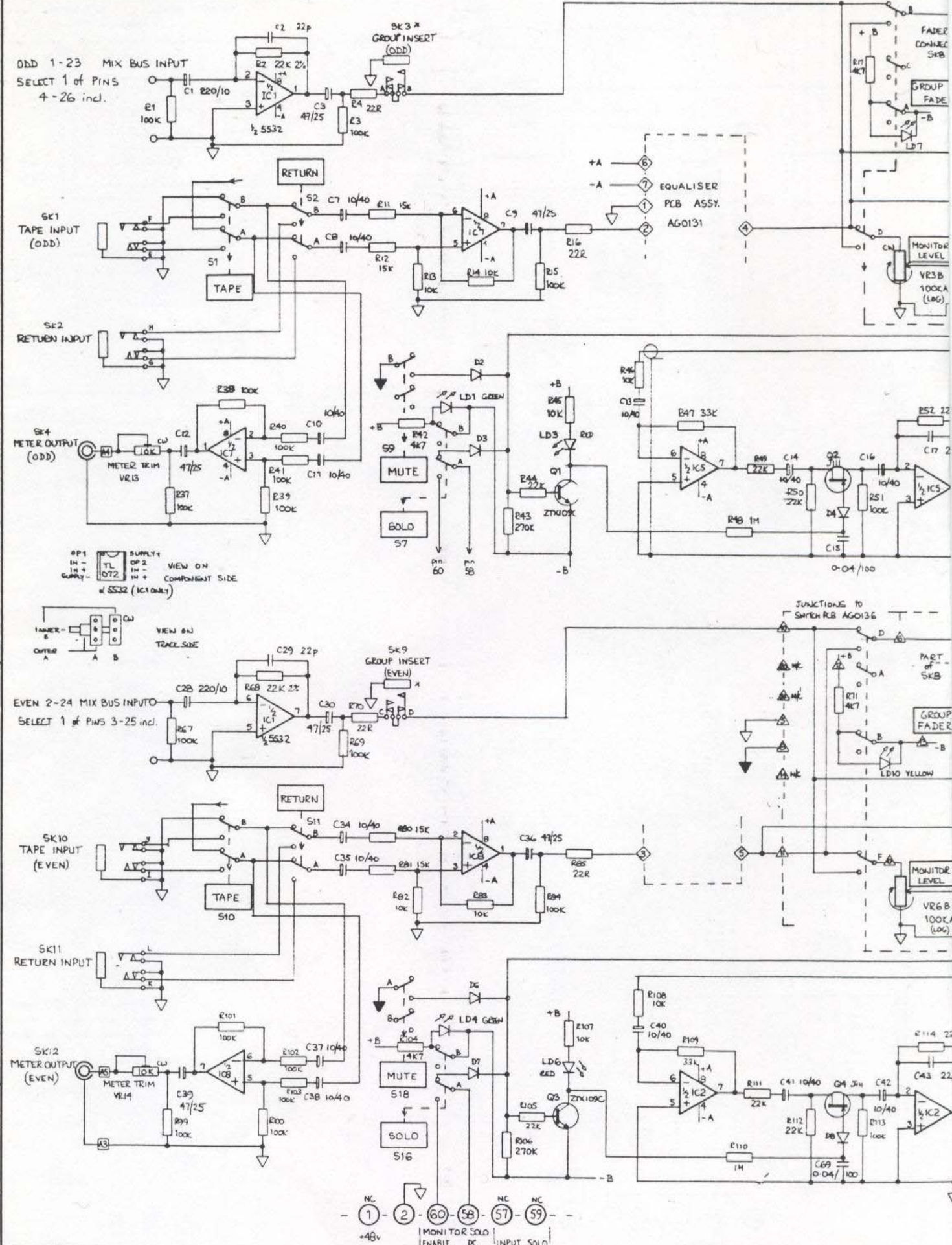
AHB SIGMA SERIES

--- DIFFERENT PCB AGAINST THIS VIEW OF THIS SIDE  
 ○ GROUP ASSIGNMENT ATTACHMENT PAD FOR SOLDERED WIRE, NUMBER TO THE GROUP FOR NUMBER. SEE SERVICE NOTE GROUP POSITION.



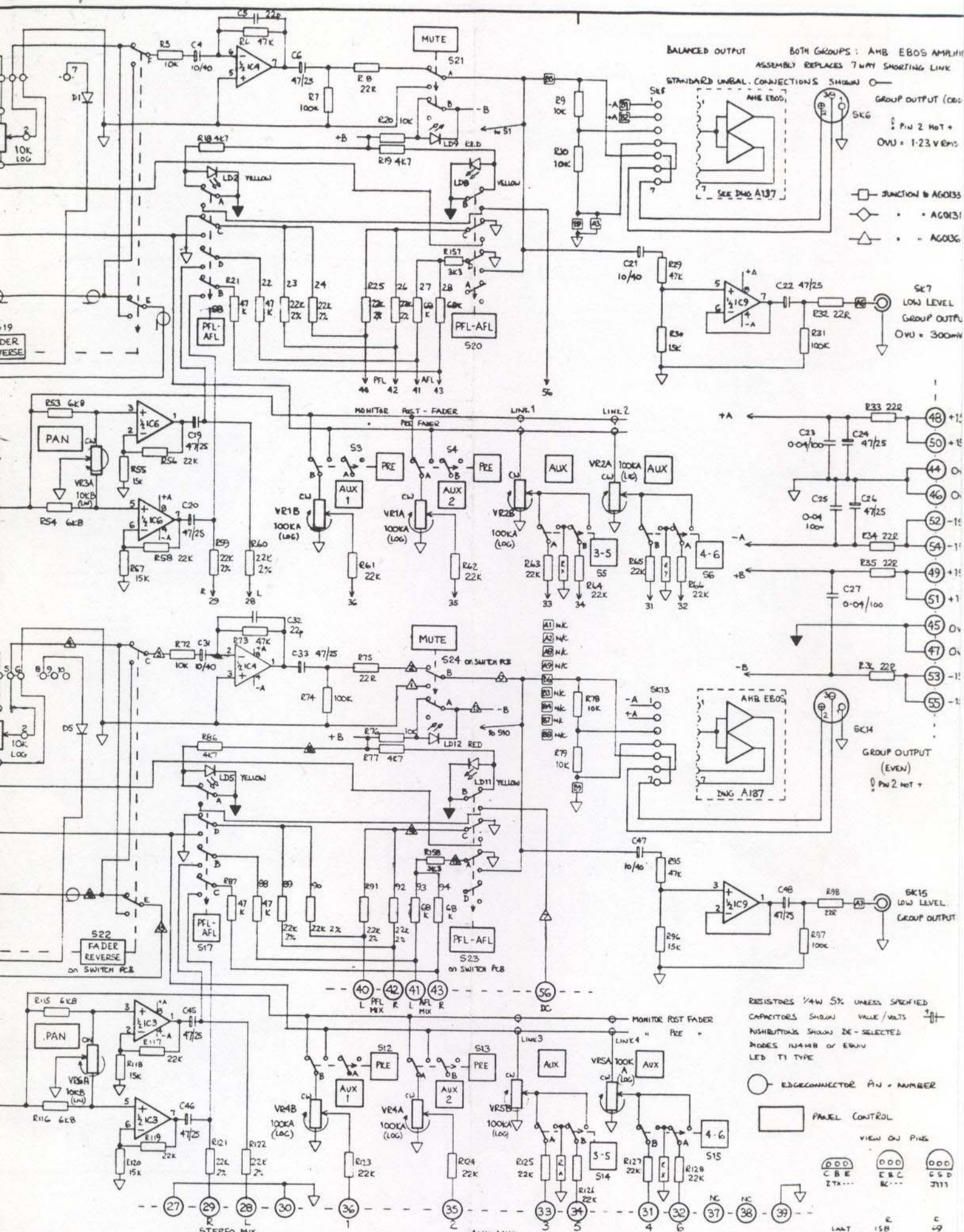
PCB ASSEMBLY AG0130 iss 3 Zx100-101 PART OF MODULE TYPE M420

BALANCED OUTPUT: FIT EB0 ASST N OCT JUNG A137  
 UNBALANCED OUTPUT: FIT JUMPER P  
 To JUNG Pm 6 to 4 And Pm 7 to 5.



STANDARD NOTES		MATERIAL		TOLERANCES	
ALL DIMENSIONS IN mm				GENERAL ±0,25 mm	
DO NOT SCALE DRAWING				HOLE CENTRES ±0,15 mm	
THIRD ANGLE PROJECTION				HOLE SIZES ±0,10 mm	
REMOVE ALL BURRS & SHARP EDGES					
SCALE					
PRODUCTION	DATE	CHECKED		UNLESS STATED OTHERWISE	
SWITCH & EQ PCB'S ADDED MAIN PCB ISS 2					
DRAWN	REVISION				





BALANCED OUTPUT BOTH GROUPS: AMB EBOS AMPLIFIER ASSEMBLY REPLACES 7-WAY SHORTING LINK

STANDARD UNBAL. CONNECTIONS SHOWN

AMB EBOS

GROUP OUTPUT (ODD)

SK6

SK7 LOW LEVEL GROUP OUTPUT O.V.U. = 300mV

GROUP OUTPUT (EVEN)

SK14

SK15 LOW LEVEL GROUP OUTPUT

RESISTORS 1/4W 5% UNLESS SPECIFIED

CAPACITORS SHOW VALUE/VOLTS

INSTRUMENTS SHOW DE-SELECTED

MODES IN 44B OF EQUIV LED T1 TYPE

EDGECONNECTOR PIN NUMBER

PANEL CONTROL

VIEW ON PINS

LAUT 15B C 49

MILSER 104

NOTES

APPLIES TO PCBs AG0132 DUAL OP 1553  
AG0133 D.O.P. CONNR.

SEE ALSO DWG. MBD 177 EQUALISER.

UNIT TITLE

AHB SIGMA

DRAWING TITLE

DUAL GROUP + MONITOR CIRCUIT.  
MODULE ASSEMBLY M430

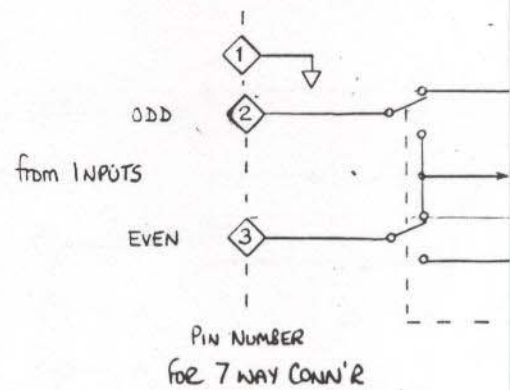
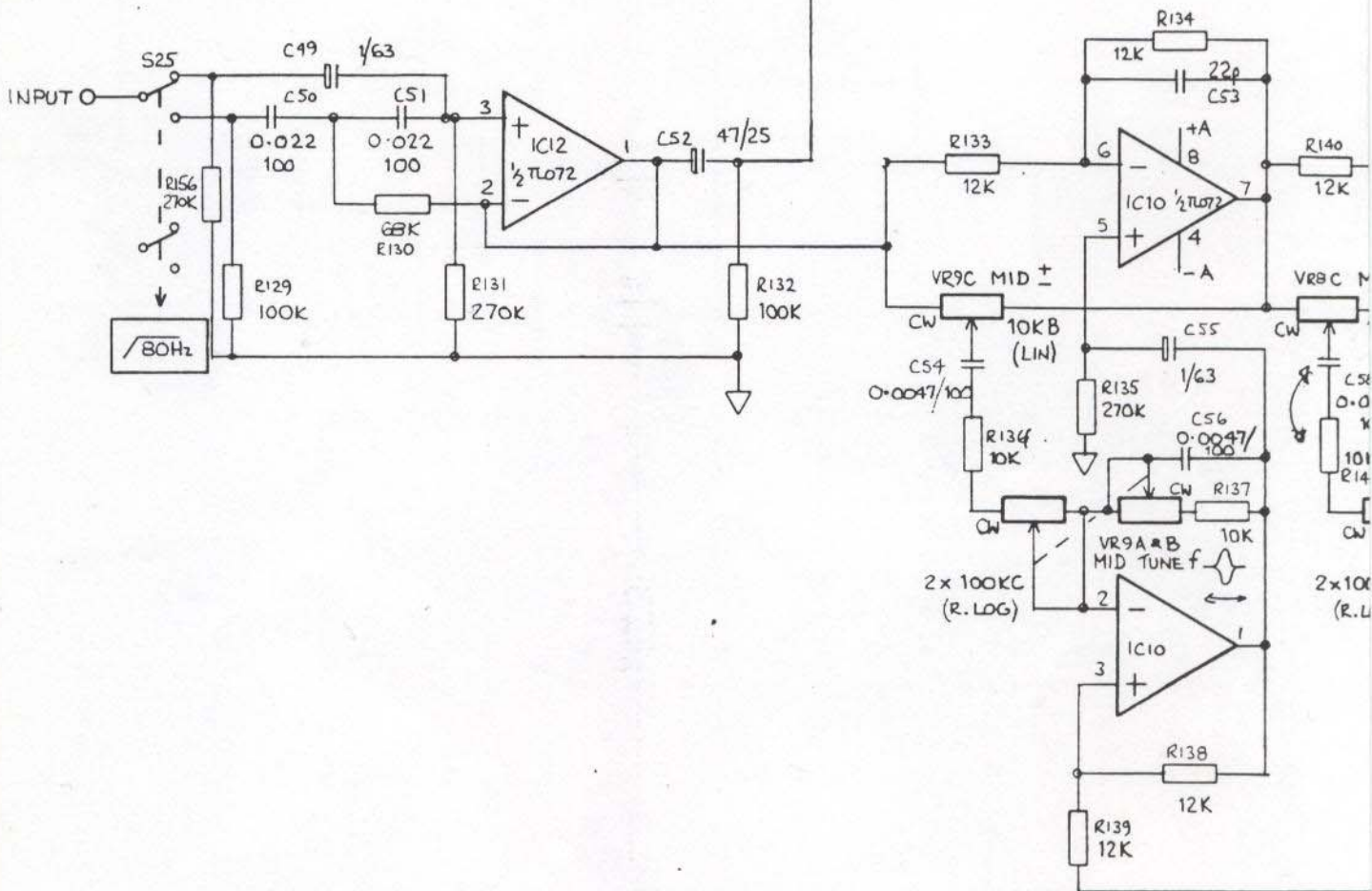
**AHB** ALLEN & HEATH BRENNELL LTD  
PROFESSIONAL AUDIO EQUIPMENT MANUFACTURERS

DESIGN DEPT. 88 SHIP STREET, BIRMINGHAM B9 4AE Tel 0273 24928  
FACTORY: KERKICK INDUSTRIAL EST. PENNYR. CORNWALL Tel 03261 72020

DRAWING No. MBD 176 ISSUE 3

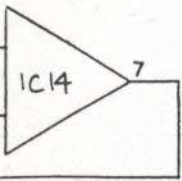
M430





		<b>STANDARD NOTES</b>		<b>MATERIAL</b>		<b>TOLERANCES</b>	
		ALL DIMENSIONS IN mm				GENERAL ±0,25 mm	
		DO NOT SCALE DRAWING				HOLE CENTRES ±0,15 mm	
		THIRD ANGLE PROJECTION				HOLE SIZES ±0,10 mm	
		REMOVE ALL BURRS & SHARP EDGES					
		<b>SCALE</b>					
DESIGN	REVISION	DATE	CHECKED			<b>UNLESS STATED OTHERWISE</b>	
	PRODUCTION	JUL 87	TD				

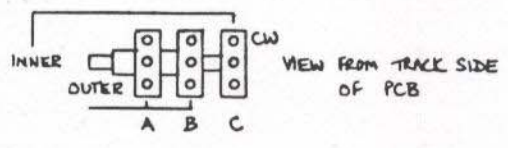




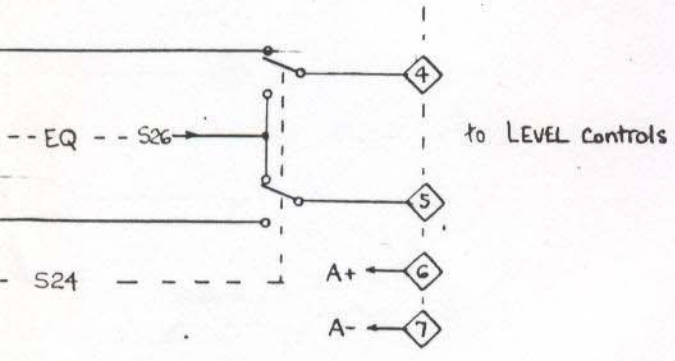
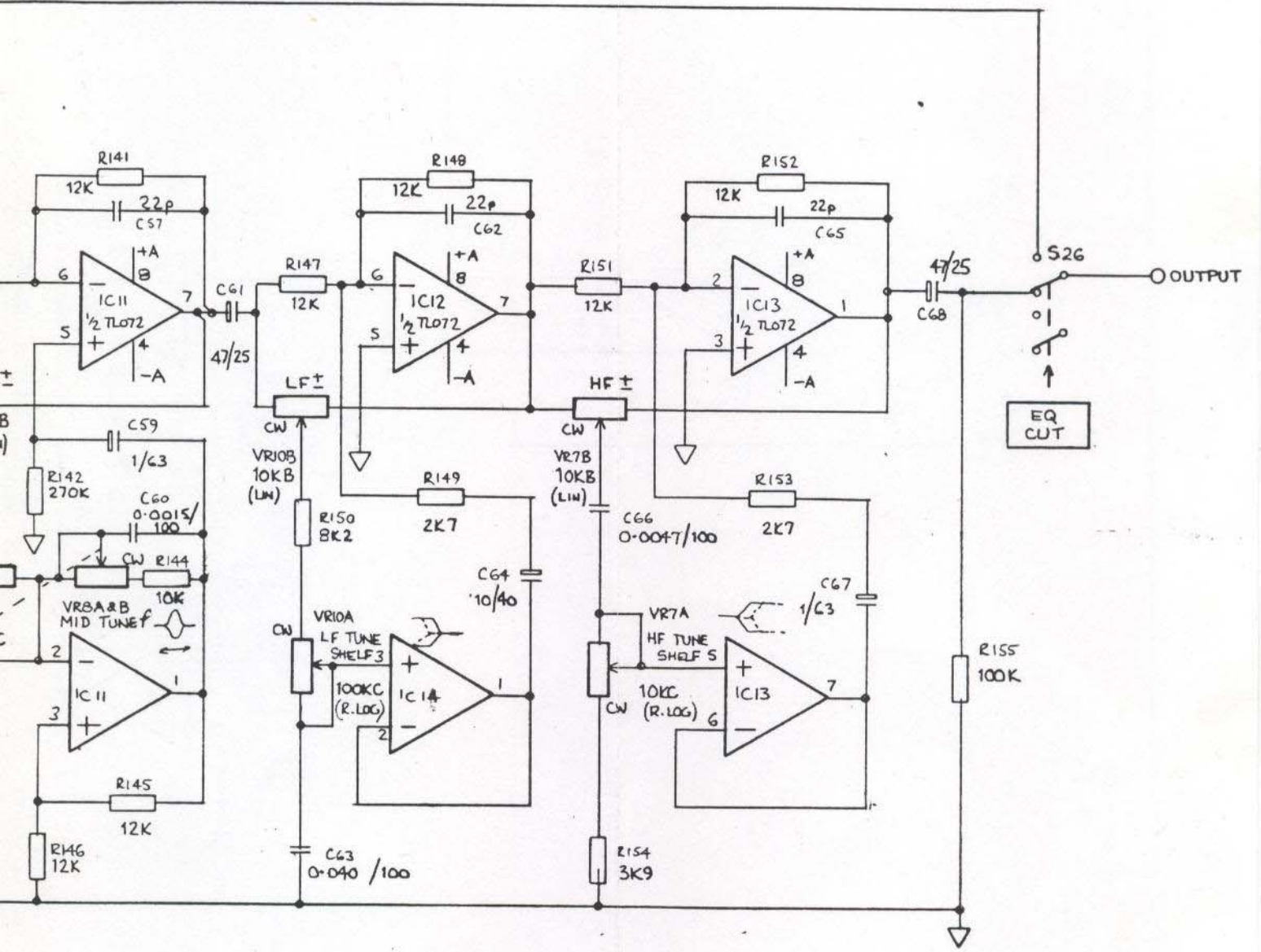
OP1  
IN -  
IN +  
SUPPLY -

SUPPLY +  
OP2  
IN -  
IN +

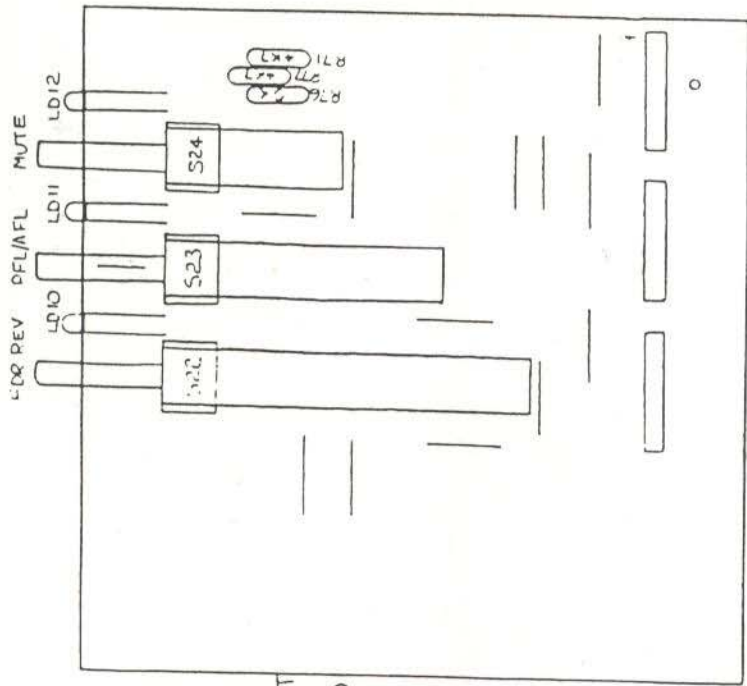
RESISTORS 1/4W 5% UNLESS SPECIFIED  
CAPACITORS SHOWN VALUE/VOLTAGE  $\frac{\text{VALUE}}{\text{VOLTAGE}}$   
SWITCHES SHOWN RELEASED



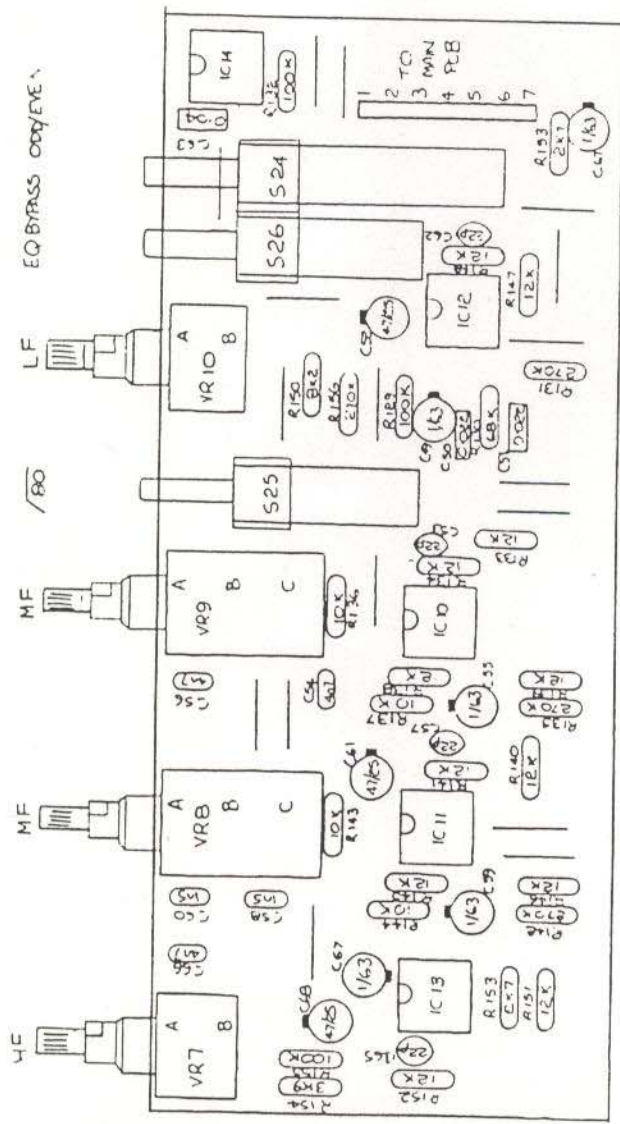
UNUSED	LAST
B	156
C	68



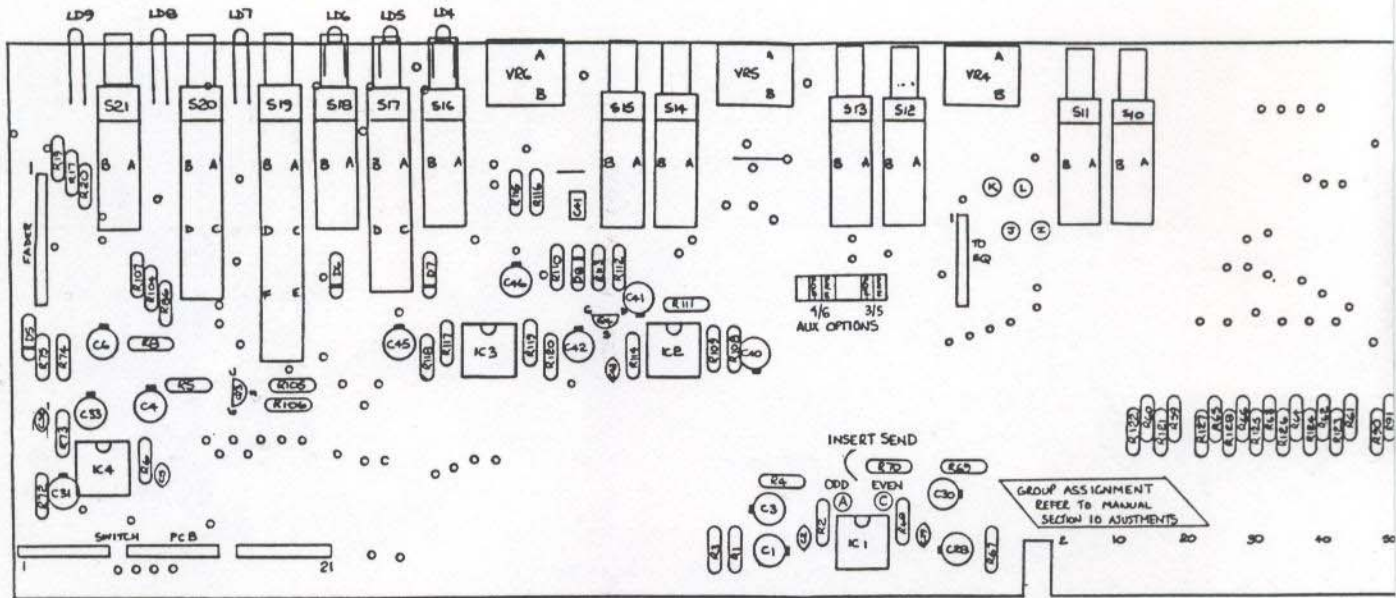
NISH	NOTES PCB AG0131	UNIT TITLE AHB SIGMA	
		DRAWING TITLE EQUALISER for DUAL OUTPUT MODULE TYPE M430	



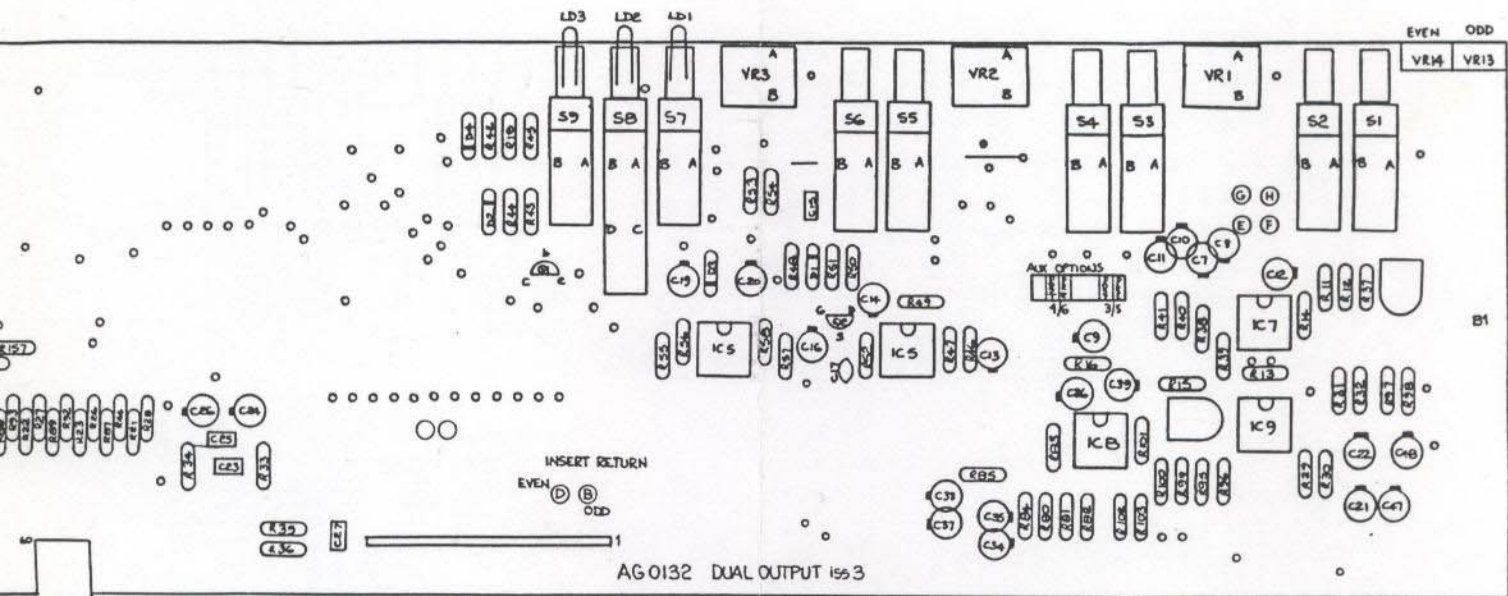
AHB SIGMA  
 DUAL OUTPUT  
 MODULE M430  
 SWITCH SUB  
 ASSEMBLY  
 AG 0136  
 552



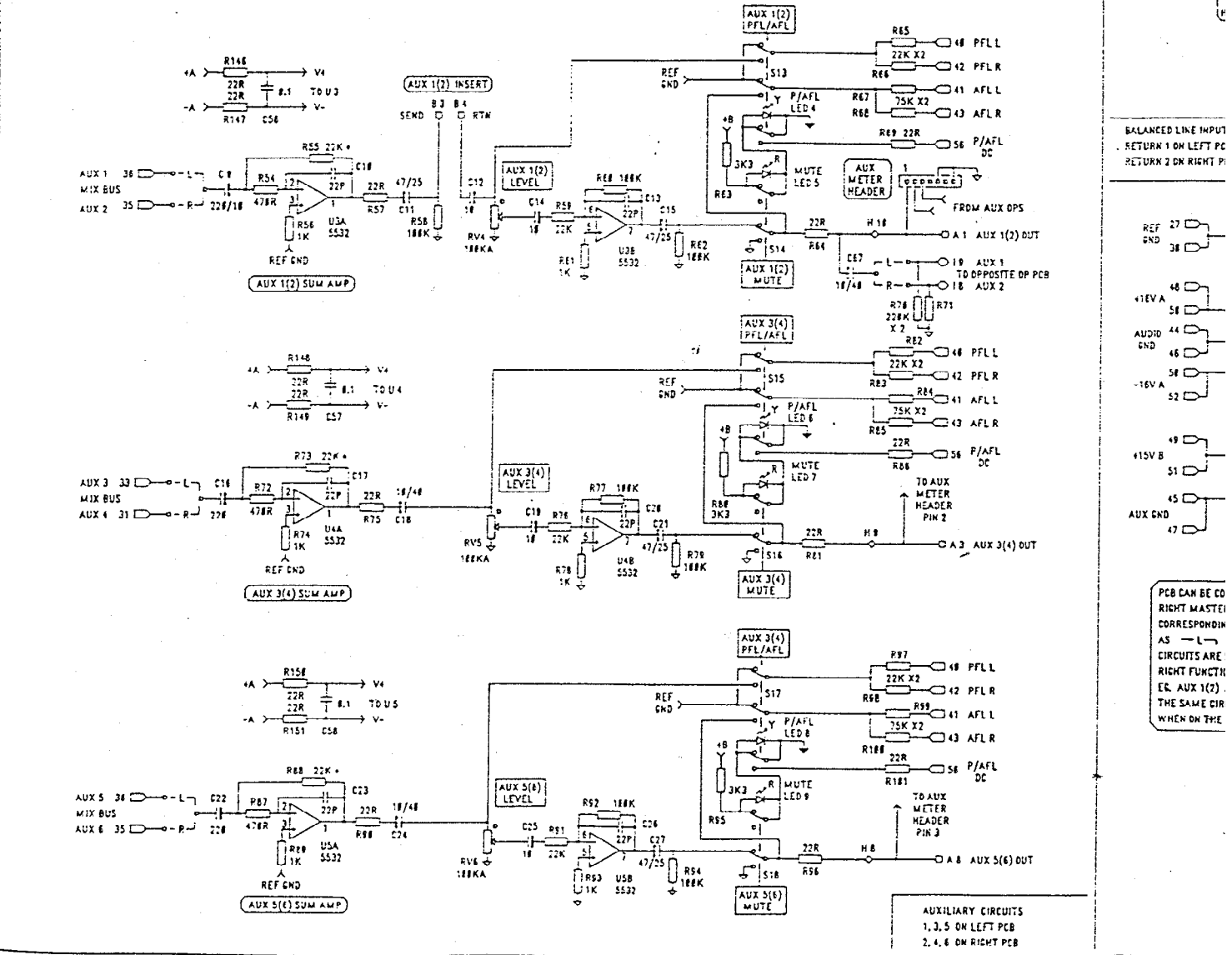
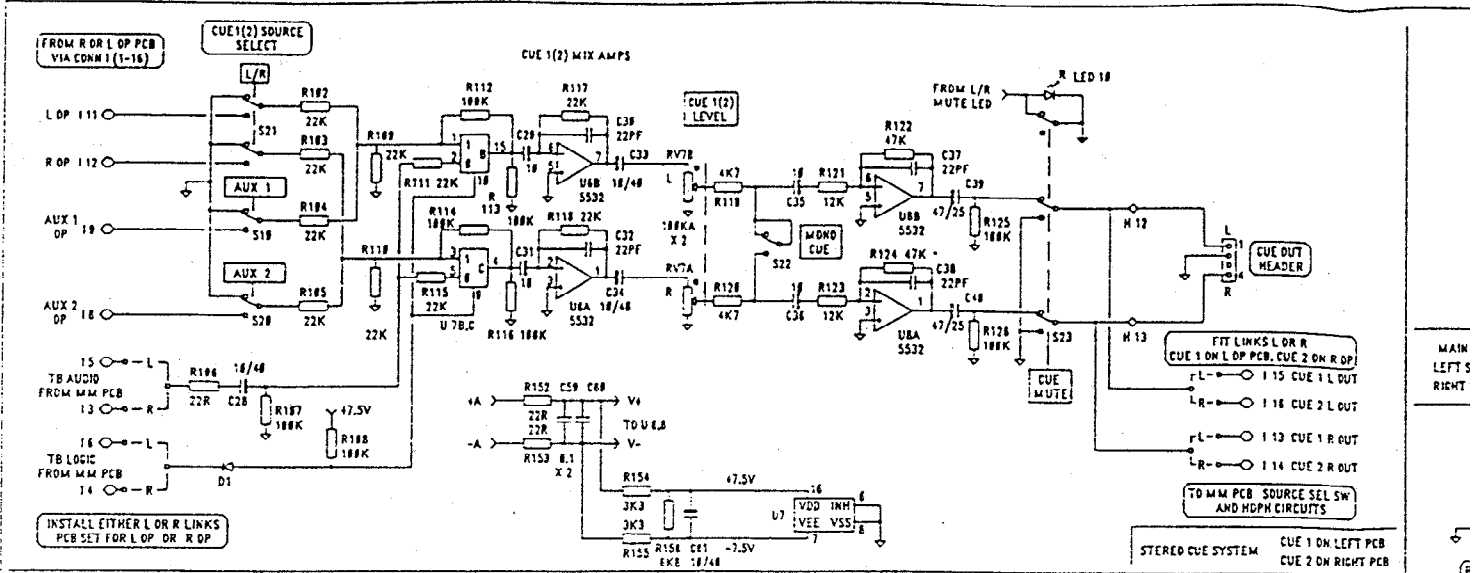
AHB SIGMA DUAL OUTPUT MODULE M430 EQUALISER PCB AG0131







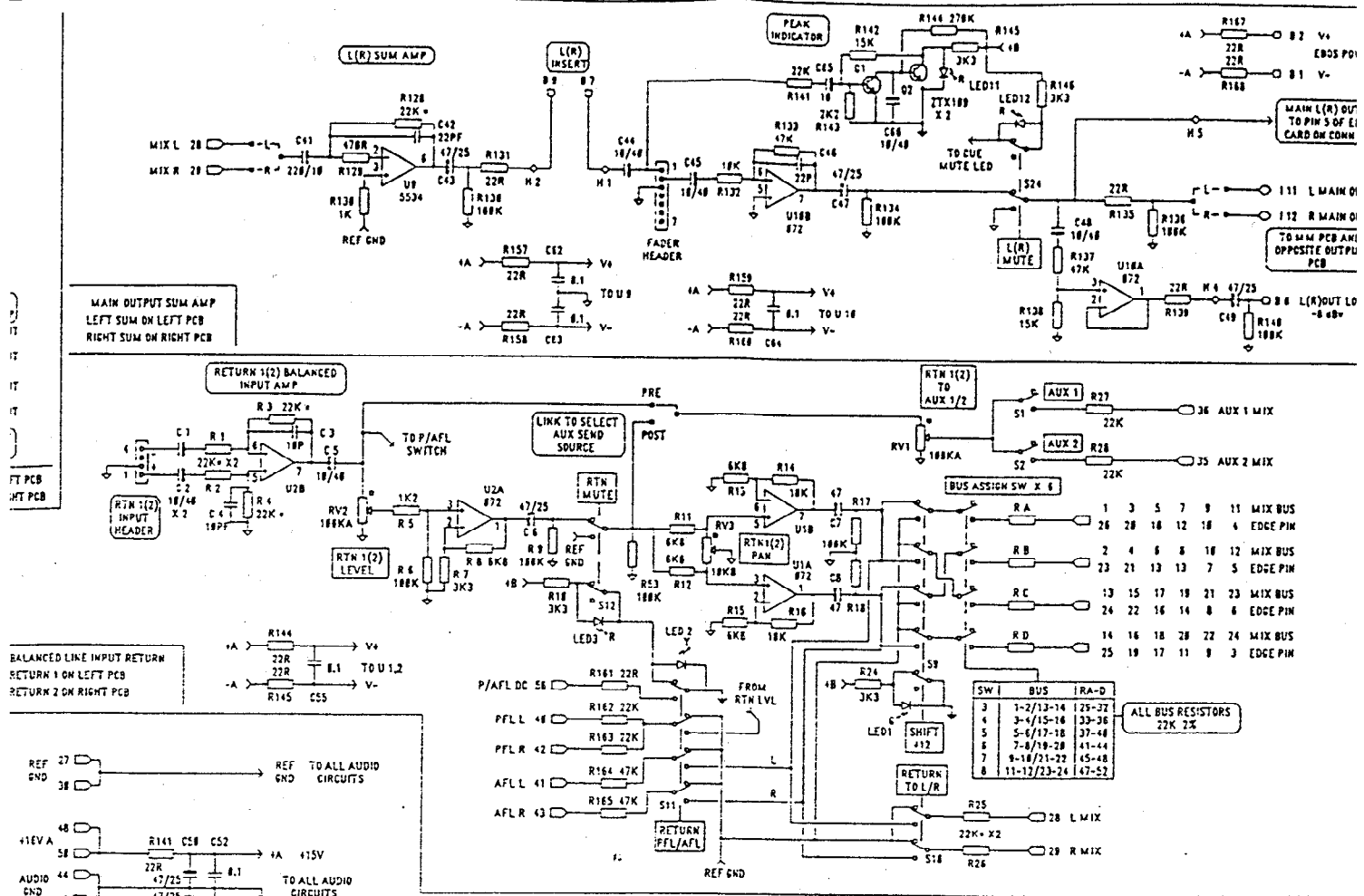
PCB ASSEMBLY DUAL OUTPUT FOR MODULE TYPE M430



REVISION		DATE	CHECKED	LAST USED
JRP	1	18 NOV 86	JRP	
JRP	1	18 OCT 86	JRP	
DRAWN				

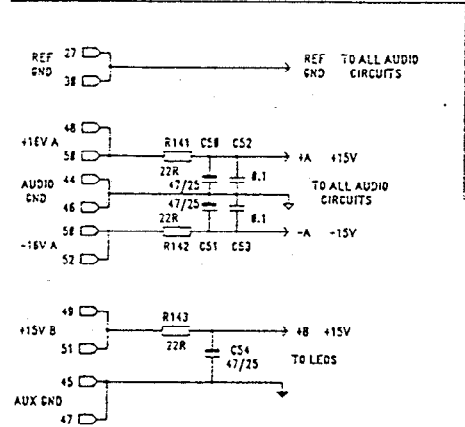
ABBREVIATIONS	
CR	= CONTROL ROOM
TB	= TALKBACK
MON	= MONITOR
R, RT	= RIGHT
L, LT	= LEFT
HDPH	= HEADPHONE
L.S.	= LOUD SPEAKER
PLYER, PB	= PLAYBACK
PFL	= PRE-FADER LISTEN
AFL	= AFTER FADER LISTEN
OP	= OUTPUT
RTW	= RETURN
SEND	= SEND



MAIN OUTPUT SUM AMP  
LEFT SUM ON LEFT PCB  
RIGHT SUM ON RIGHT PCB

RETURN 1(2) BALANCED  
INPUT AMP

BALANCED LINE INPUT RETURN  
RETURN 1 ON LEFT PCB  
RETURN 2 ON RIGHT PCB

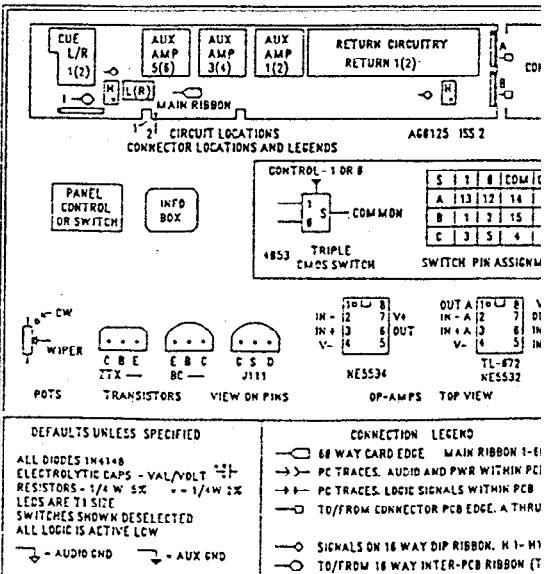


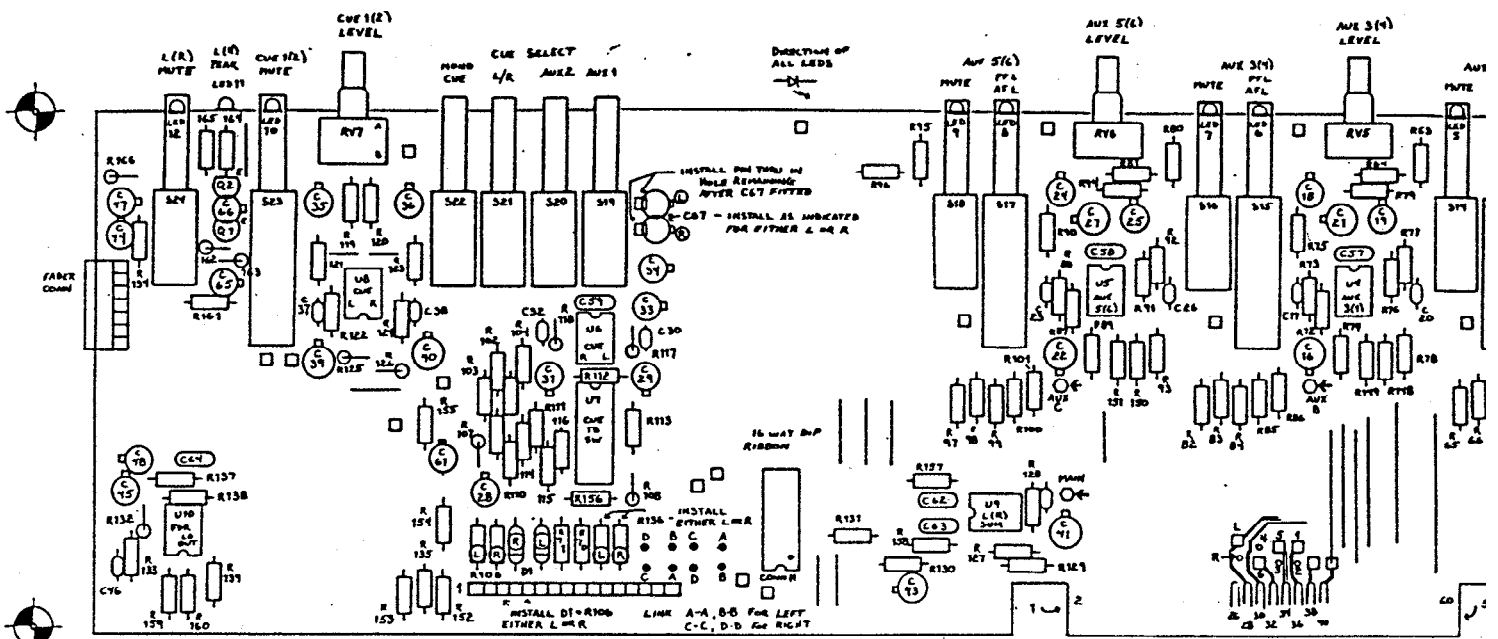
PCB CAN BE CONFIGURED AS EITHER LEFT OR RIGHT MASTER OUTPUT BY INSTALLING THE CORRESPONDING LINKS. THESE ARE INDICATED AS L AND R. CIRCUITS ARE SHOWN FOR LEFT PCB FUNCTION; RIGHT FUNCTION INDICATED BY ( ). EG. AUX 1(2) AUX 1 WOULD BE ON THE LEFT PCB. THE SAME CIRCUITS WOULD BE CALLED AUX 2 WHEN ON THE RIGHT PCB

A - TO CONN PCB		B - TO CONN PCB	
PIN   SIGNAL	PIN   SIGNAL	PIN   SIGNAL	PIN   SIGNAL
A 1   AUX 1(2) OUT	A 2   GND	B 1   EBCS -V	B 2   EBCS +V
A 3   AUX 3(4) OUT	A 4   GND	B 3   AUX INSR T R	B 4   AUX INSR T L
A 5   L(R) OUT	A 6   GND	B 5   M C	B 6   L(R) LD OUT
A 7   M C	A 8   AUX 5(6) OUT	B 7   INSERT RTN	B 8   GND REF
A 9   GND		B 9   INSERT SEND	

18 WAY PCB TO PCB 1		H - 16 WAY DIP RIBBON	
PIN   SIGNAL	PIN   SIGNAL	PIN   SIGNAL	PIN   SIGNAL
11   I.C.	11   I.AUX 1 OUT	M 1   L(R) INSR T RTN	M 9   AUX 3(4) OUT
12   I.C.	11   I.M.C.	M 2   L(R) INSR T SND	M 10   AUX 1(2) OUT
13   ICUE2 TB AUD	11   I.L MAIN OUT	M 3   GND	M 11   I.C.
14   ICUE2 TB DC	11   I2 R MAIN OUT	M 4   L(R) LDW OUT	M 12   ICUE 1(2) L OUT
15   ICUE1 TB AUD	11   I3 CUEZ L OUT	M 5   L(R) OP TO EBCS	M 13   CUE 1(2) R OUT
16   ICUE1 TB DC	11   I4 CUEZ R OUT	M 6   I.C.	M 14   GND
17   I.C.	11   I5 CUE1 L OUT	M 7   FUTURE	M 15   GND
18   I.AUX 2 OUT	11   I6 CUE1 R OUT	M 8   I.AUX 5(6) OUT	M 16   GND

88 WAY CARD EDGE			
PIN   SIGNAL	PIN   SIGNAL	PIN   SIGNAL	PIN   SIGNAL
1   +48V	2   GND	3   MIX 24	4   MIX 11
5   MIX 12	6   MIX 23	7   MIX 18	8   MIX 21
9   MIX 22	10   MIX 9	11   MIX 28	12   MIX 7
13   MIX 6	14   MIX 19	15   MIX 6	16   MIX 17
17   MIX 18	18   MIX 5	19   MIX 18	20   MIX 3
21   MIX 4	22   MIX 15	23   MIX 2	24   MIX 13
25   MIX 14	26   MIX 1	27   REF GND 128	MIX L
29   MIX R	30   REF GND	31   AUX 4	32   AUX 6
33   AUX 3	34   AUX 5	35   AUX 2	36   AUX 1
37   AUX 7	38   AUX 8	39   AUD GND 148	IPFL L
41   AFL L	42   IPFL R	43   AFL R	44   AUD GND
45   AUX GND 148	AUD GND	47   AUX GND 148	14 15V A
49   15V B	50   15V A	51   15V B	52   15V A
53   -15V B	54   -15V A	55   -15V B	56   IP/AFL
57   I.C DC	58   I.MON DC R	59   I.C ENB	58   I.MON DC L
60   I.C ENB	58   I.MON DC R		





HEATER I (16 WAT) TO OPPOSITE MASTER  
OUT AND NON MASTER PCB'S.

FOR LEFT PCB - LINK AUX A - 1 FOR  
AUX B - 5 RIGHT LINK A  
AUX C - 5 PCB LINK A  
MAIN - L PCB M

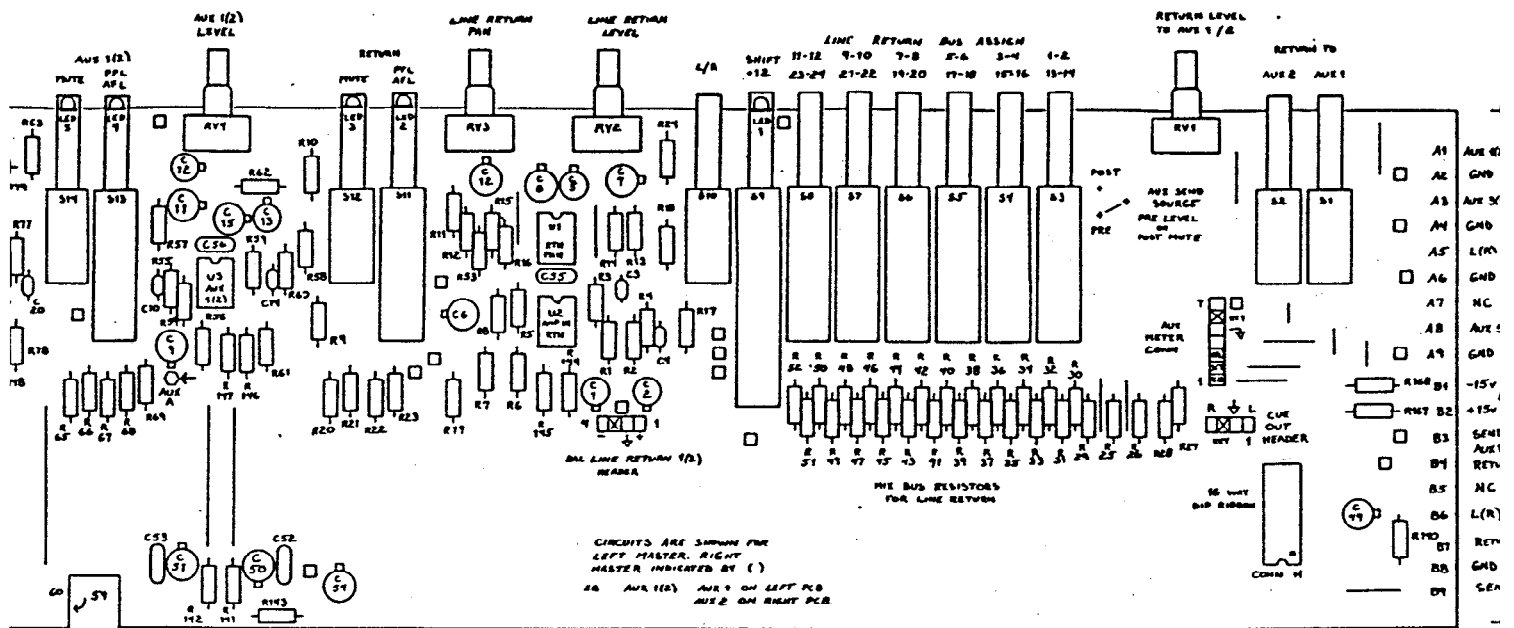
DRAWN BY JRP 10 OCT 64

AHB SIGMA

L/R MASTER OUTPUT PCB

AG0125 155 2

COMPONENT OVERLAY



AY





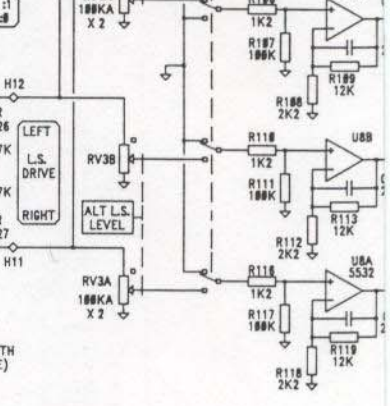
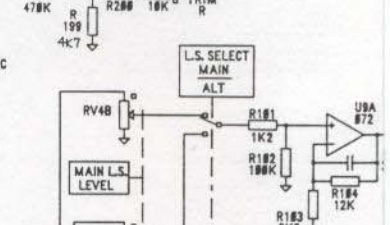
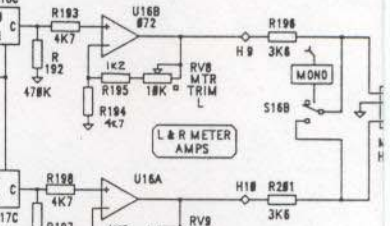
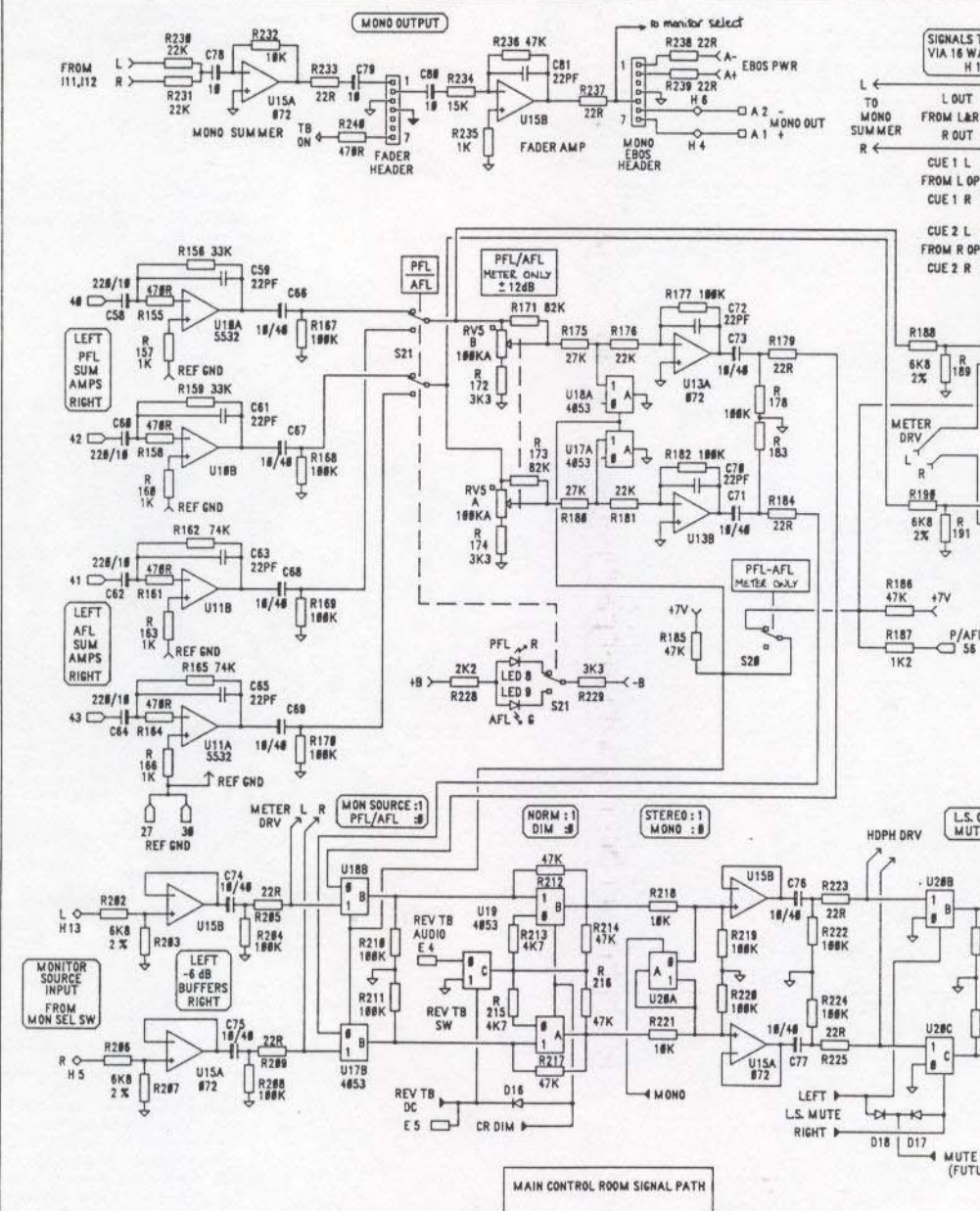
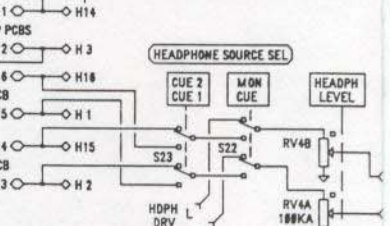
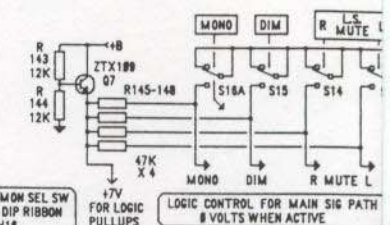
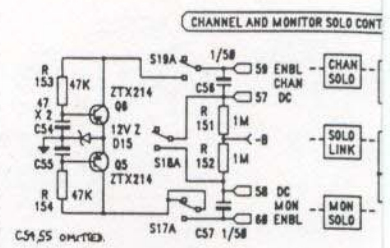
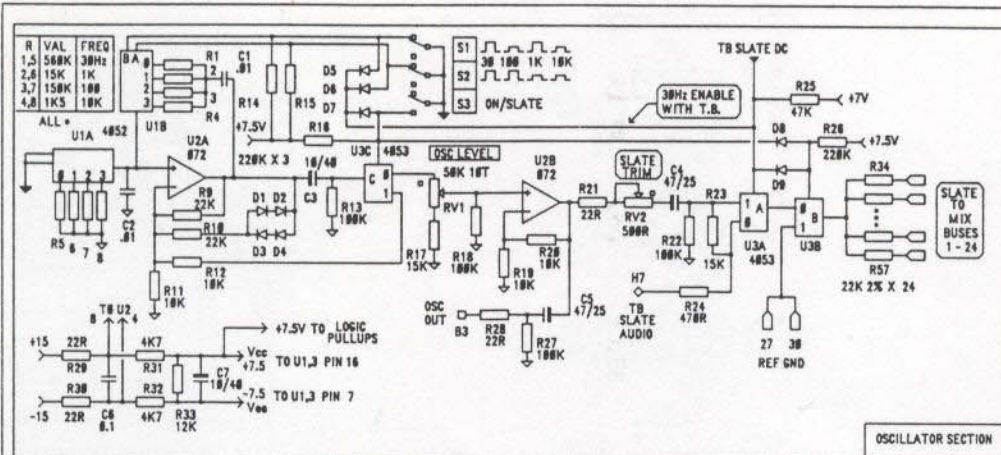
#### AHB SIGMA M441 MODULE INFORMATION

The M441 module has two extra auxiliary master circuits and outputs, making eight in total. These two are numbered 7 and 8.

Their panel controls are immediately below those of aux 5 and 6.

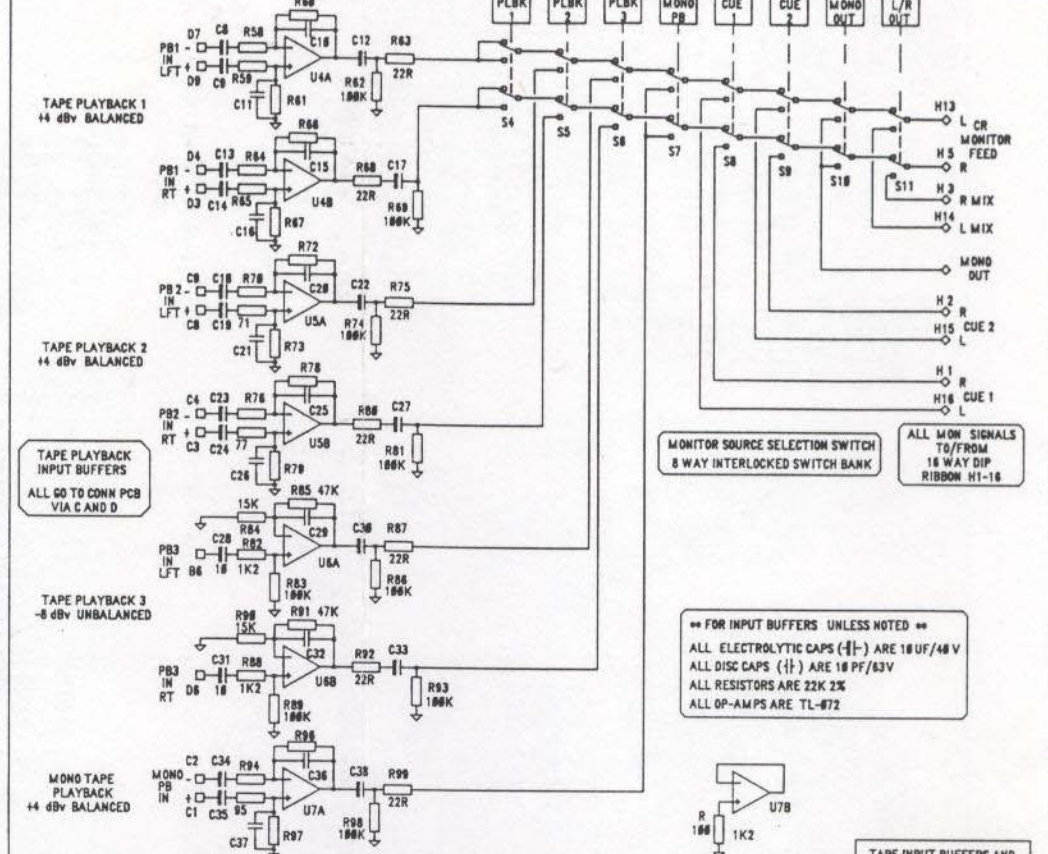
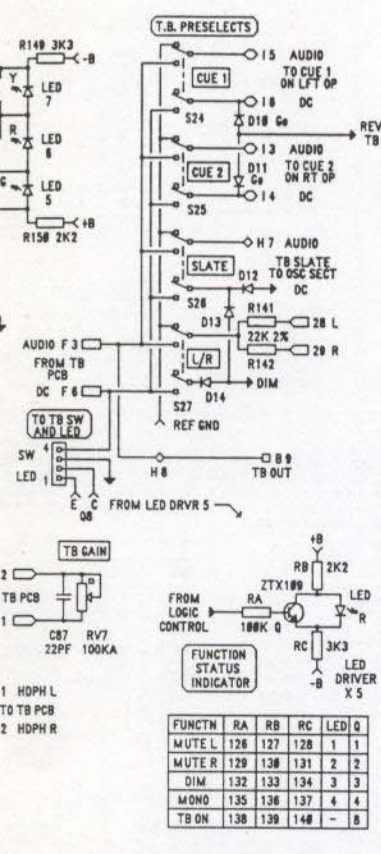
The circuits and components are identical to 5 and 6 and appear to the left of 5 and 6 on the component overlay.

These extra circuits are wired to the aux meter "D" connector.



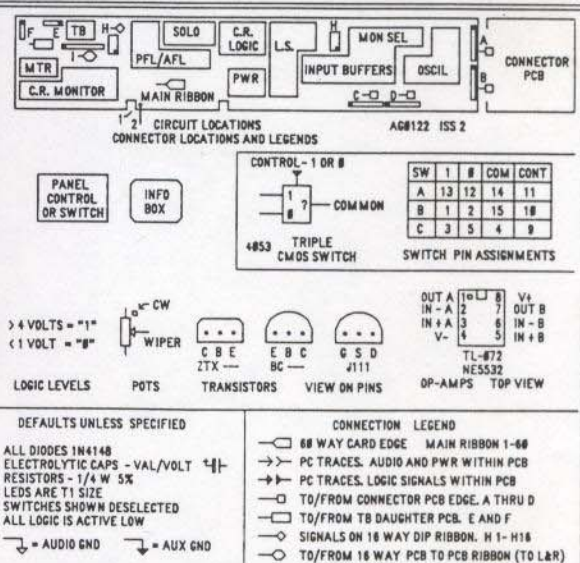
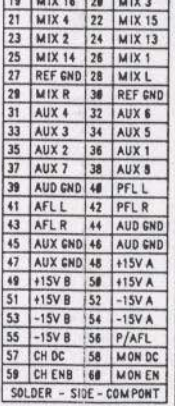
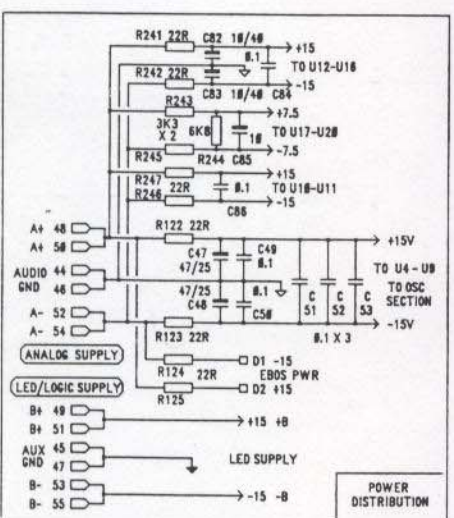
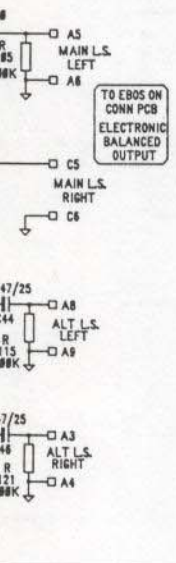
DRAWN	REVISION	DATE	CHECKED	LAST USED	ABBREVIATIONS
JRP	ORIGINAL	18 OCT 88	JRP	R247	CR = CONTROL ROOM    PLYBK, PB = PLAYBACK TB = TALKBACK        PFL = PRE-FADER LISTEN MON = MONITOR        AFL = AFTER FADER LISTEN R, RT = RIGHT        OP = OUTPUT L, LT = LEFT HDPH = HEADPHONE L.S. = LOUD SPEAKER





FUNCTION	RA	RB	RC	LED	Q
MUTE L	126	127	128	1	1
MUTE R	129	130	131	2	2
DIM	132	133	134	3	3
MONO	135	136	137	4	4
TB ON	138	139	140	-	B

1-16 WAY PCB TO PCB CONN		H-16 WAY DIP RIBBON		E & F - CONN TO TB PCB		68 WAY CARD EDGE		A - TO CONN PCB		B - TO CONN PCB		C - TO CONN PCB		D - TO CONN PCB	
PIN	SIGNAL	PIN	SIGNAL	PIN	SIGNAL	PIN	SIGNAL	PIN	SIGNAL	PIN	SIGNAL	PIN	SIGNAL	PIN	SIGNAL
1	N.C.	19	AUX 1 OUT	H 1	CUE 1 RT	H 9	METER L	E 1	HDHPH IN L	F 1	TB GAIN 1	1	+4BV	2	GND
2	N.C.	118	N.C.	H 2	CUE 2 RT	H 10	METER R	E 2	HDHPH IN R	F 2	TB GAIN 2	3	MIX 24	4	MIX 11
3	CUE 2 TB AUD	111	LEFT OUT	H 3	RT MIX	H 11	L.S. RT	E 3	AUD GND	F 3	TB OUT A	5	MIX 12	6	MIX 23
4	CUE 2 TB DC	112	RIGHT OUT	H 4	MONO OP+	H 12	L.S. LFT	E 4	REV TB A	F 4	-A -15V	7	MIX 18	8	MIX 21
5	CUE 1 TB AUD	113	CUE 2 R OUT	H 5	MON FD R	H 13	MON FD L	E 5	REV TB DC	F 5	+A +15V	9	MIX 22	10	MIX 9
6	CUE 1 TB DC	114	CUE 2 L OUT	H 6	MONO OP-	H 14	LFT MIX	E 6	-B -15V	F 6	TB DC	11	MIX 20	12	MIX 7
7	N.C.	115	CUE 1 R OUT	H 7	TB SLT A	H 15	CUE 2 LFT	E 7	+B +15V	F 7	AUX GND	13	MIX 8	14	MIX 19
8	AUX 2 OUT	116	CUE 1 L OUT	H 8	TB OUT	H 16	CUE 1 LFT	E 8		F 8		15	MIX 6	16	MIX 17
												17	MIX 18	18	MIX 5
												19	MIX 16	20	MIX 3
												21	MIX 4	22	MIX 15
												23	MIX 2	24	MIX 13
												25	MIX 14	26	MIX 1
												27	REF GND	28	MIX L
												29	MIX R	30	REF GND
												31	AUX 4	32	AUX 6
												33	AUX 3	34	AUX 5
												35	AUX 2	36	AUX 1
												37	AUX 7	38	AUX 8
												39	AUD GND	40	PFL L
												41	AFL L	42	PFL R
												43	AFL R	44	AUD GND
												45	AUX GND	46	AUD GND
												47	AUX GND	48	+15V A
												49	+15V B	50	+15V A
												51	+15V B	52	-15V A
												53	-15V B	54	-15V A
												55	-15V B	56	P/AFL
												57	CH DC	58	MON DC
												59	CH ENB	60	MON EN



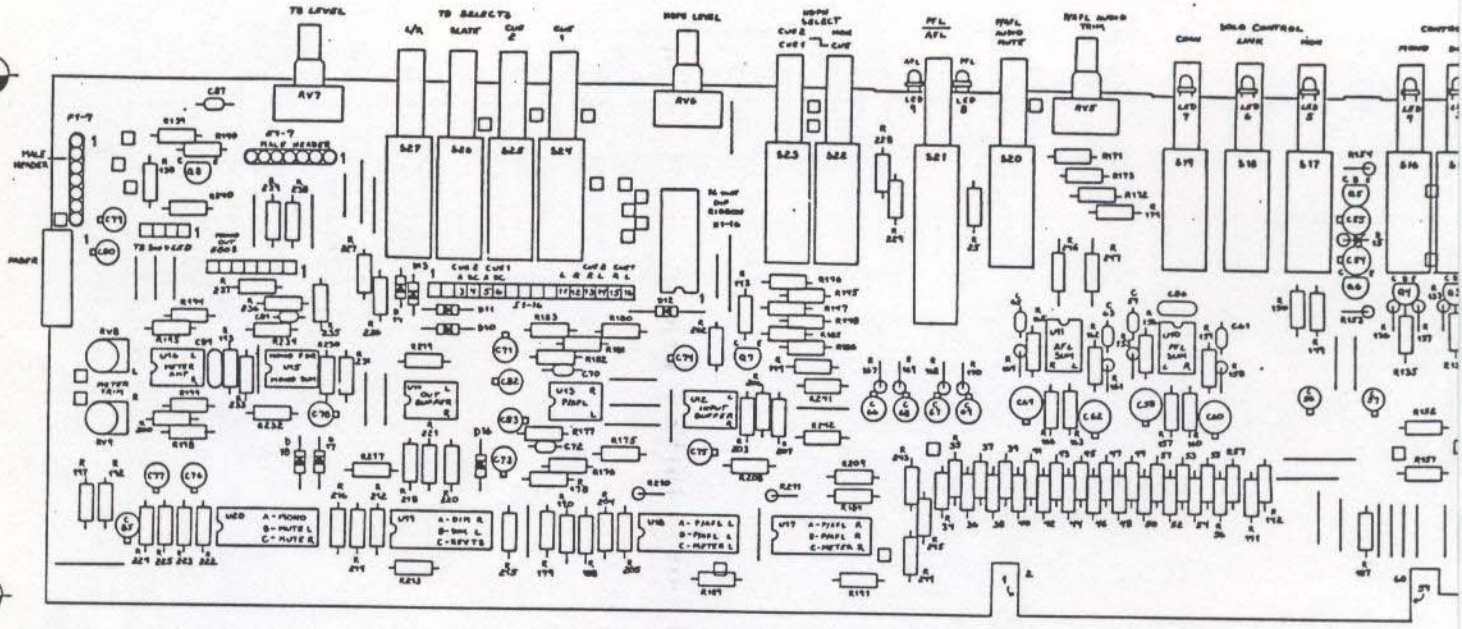
UNIT TITLE	AHB SIGMA	
DRAWING TITLE	MONITOR MASTER PCB AG0122 ISS 2 SCHEMATIC	
DRAWING No.	MBD 182	ISSUE 1

MONITOR MASTER AG0122 iss 2.  
 superseded by iss 3 JAN 87.



ALLEN & HEATH BRENNEL LTD.  
 PROFESSIONAL AUDIO EQUIPMENT  
 MANUFACTURERS

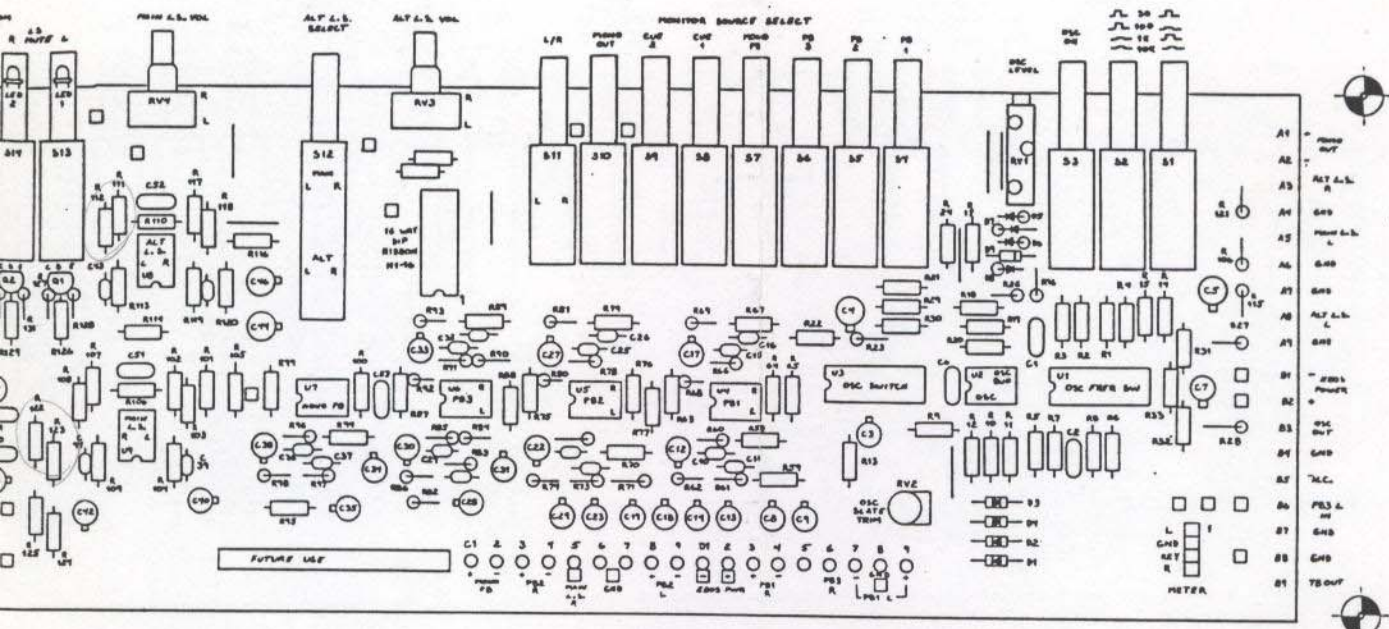




DRAWN BY JRP 2 OCT 66

AHB SIGMA MON MASTER PCB AGO122 155 2 COMPONENT OVERLAY



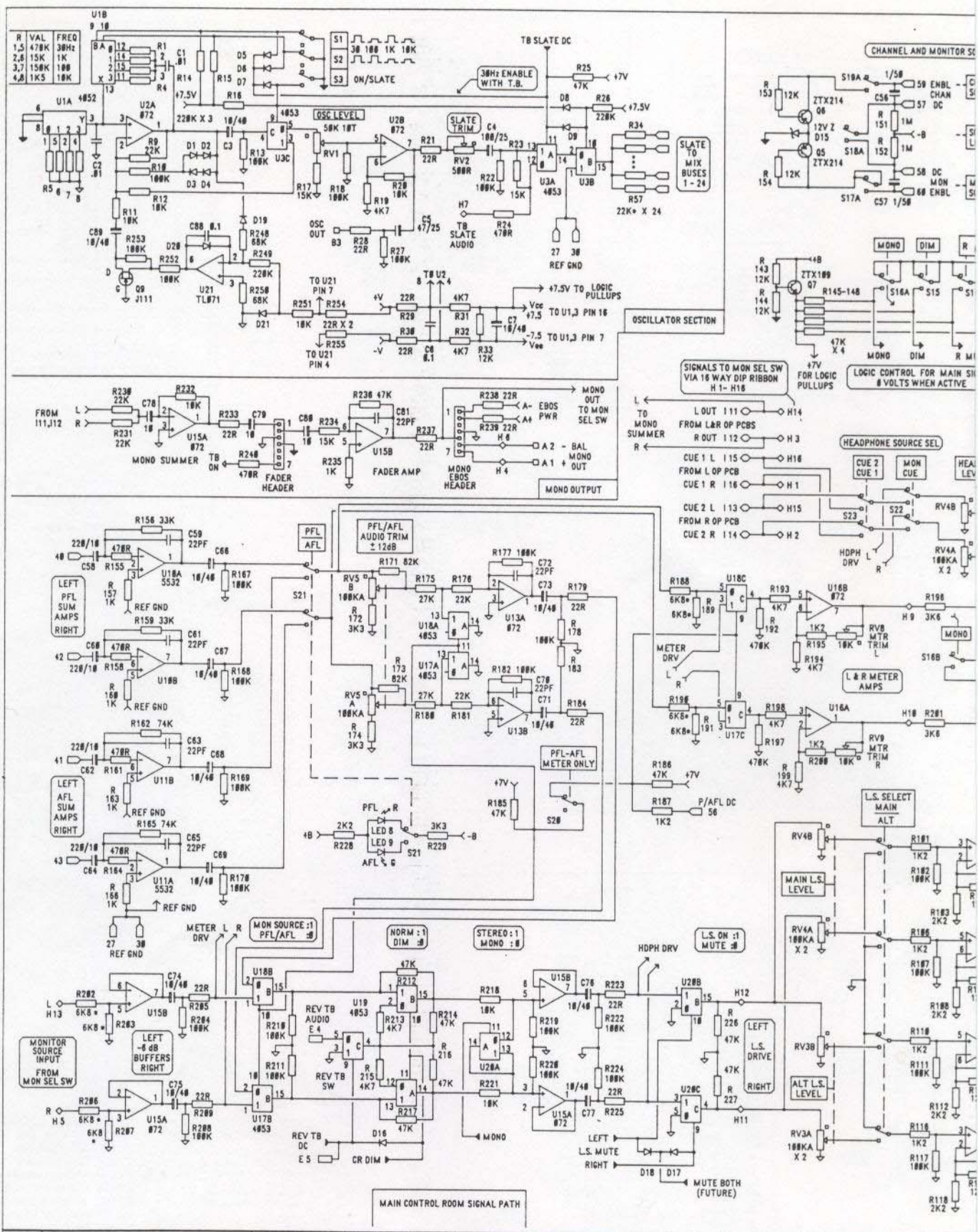


□ = PIN THRU

M450 iss2 PCB

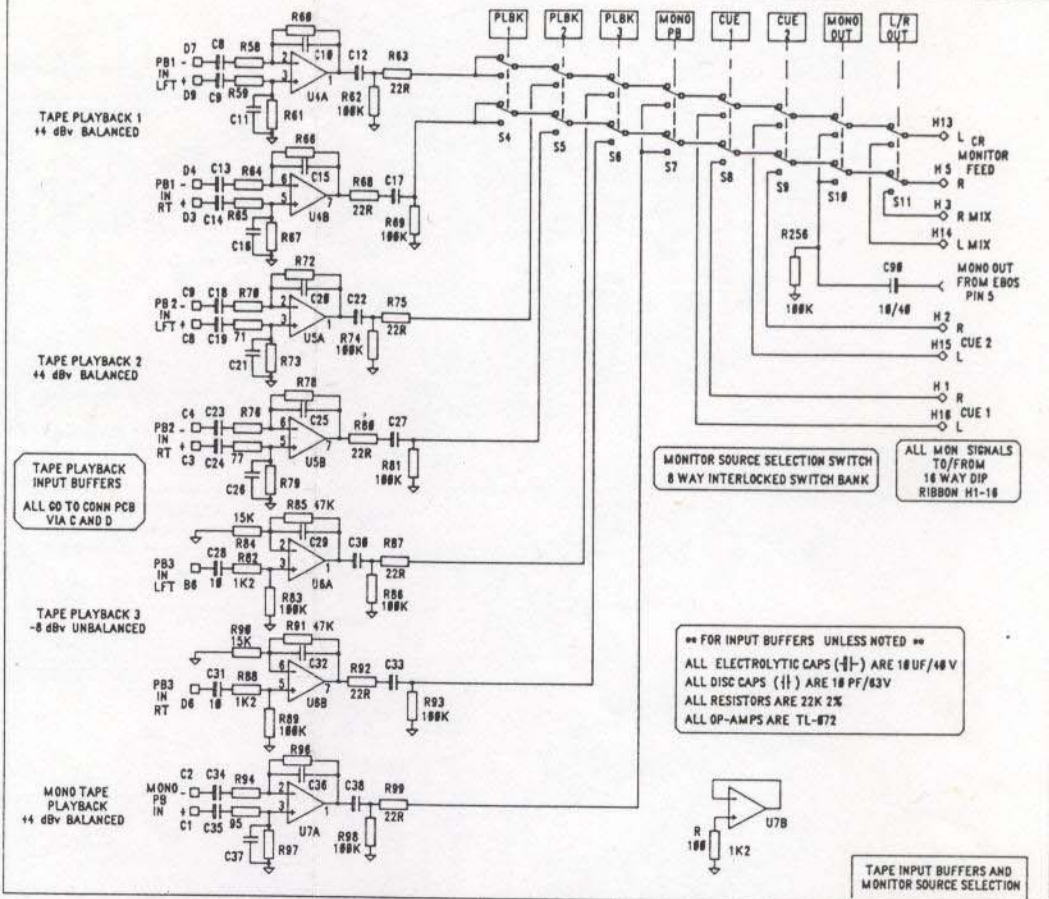
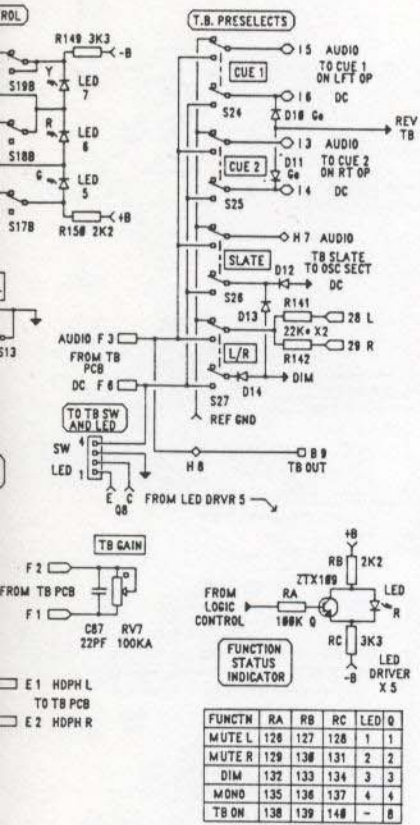
UNTIL JAN 87. S/Ns M41009





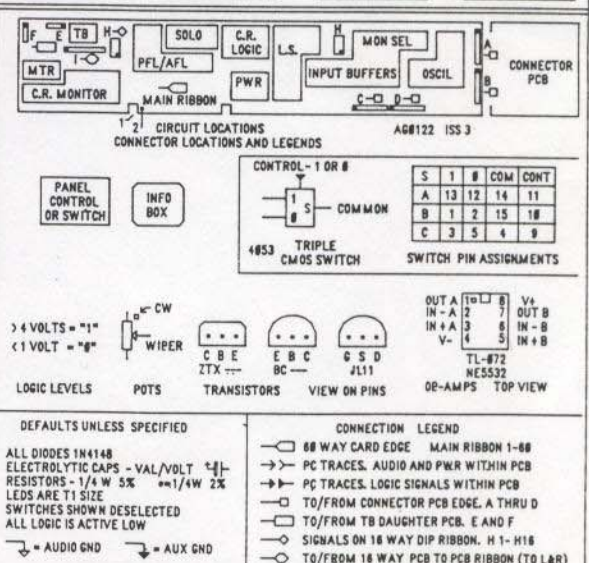
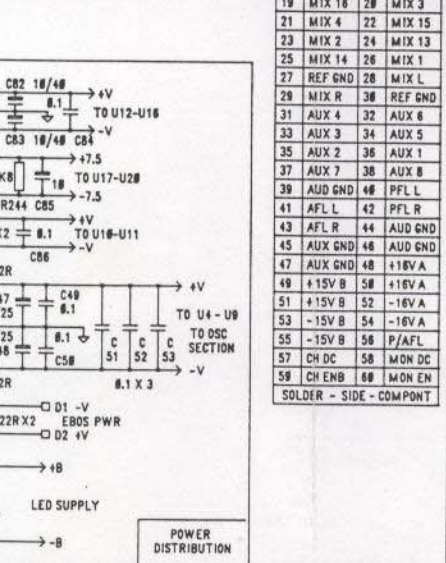
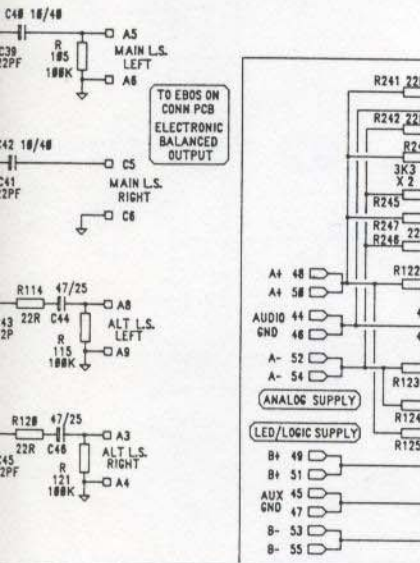
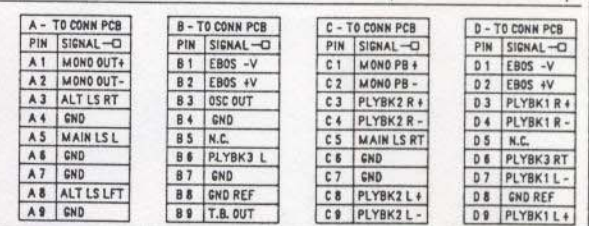
DRAWN	REVISION	DATE	CHECKED	LAST USED	ABBREVIATIONS
JRP	OSC CIR CHNG, ADD PIN #, CONN I PINOUT	30 NOV 86	JRP	C 98	CR = CONTROL ROOM TB = TALKBACK MON = MONITOR R, RT = RIGHT L, LT = LEFT HPH = HEADPHONE L.S. = LOUD SPEAKER
JRP	ORIGINAL	10 OCT 86	JRP	R 258	PLYBK, PB = PLAYBACK PFL = PRE-FADER LISTEN AFL = AFTER FADER LISTEN DP = OUTPUT EBOS = ELECTRONICALLY BALANCED OUTPUT SYSTEM





1-16 WAY PCB TO PCB CONN	H - 16 WAY DIP RIBBON	E & F - CONN TO TB PCB
11 N C	H1 CUE 1 RT	E1 HDHP IN L
12 N C	H2 CUE 2 RT	E2 HDHP IN R
13 CUE 2 TB AUD	H3 RT MIX	E3 AUD GND
14 CUE 2 TB DC	H4 MONO OP+	E4 REV TB A
15 CUE 1 TB AUD	H5 MON FDR	E5 REV TB DC
16 CUE 1 TB DC	H6 MONO OP-	E6 -B
17 N C	H7 TB SLT A	E7 +B
18 AUX 2 OUT	H8 TB OUT	
	H9 METER L	
	H10 METER R	
	H11 L.S. RT	
	H12 L.S. LFT	
	H13 MON FD L	
	H14 LFT MIX	
	H15 CUE 2 LFT	
	H16 CUE 1 LFT	

68 WAY CARD EDGE	A - TO CONN PCB	B - TO CONN PCB	C - TO CONN PCB	D - TO CONN PCB
1 +40V	A1 MONO OUT+	B1 EBOS -V	C1 MONO PB+	D1 EBOS -V
2 GND	A2 MONO OUT-	B2 EBOS +V	C2 MONO PB-	D2 EBOS +V
3 MIX 24	A3 ALT LS RT	B3 OSC OUT	C3 PLYBK2 R+	D3 PLYBK1 R+
4 MIX 12	A4 GND	B4 GND	C4 PLYBK2 R-	D4 PLYBK1 R-
5 MIX 12	A5 MAIN LS L	B5 N.C.	C5 MAIN LS RT	D5 N.C.
6 MIX 23	A6 GND	B6 PLYBK3 L	C6 GND	D6 PLYBK3 RT
7 MIX 18	A7 GND	B7 GND	C7 GND	D7 PLYBK1 L-
8 MIX 21	A8 GND	B8 GND REF	C8 PLYBK2 L+	D8 GND REF
9 MIX 22	A9 GND	B9 T.B. OUT	C9 PLYBK2 L-	D9 PLYBK1 L+
10 MIX 9				
11 MIX 20				
12 MIX 7				
13 MIX 8				
14 MIX 19				
15 MIX 6				
16 MIX 17				
17 MIX 18				
18 MIX 5				
19 MIX 16				
20 MIX 3				
21 MIX 4				
22 MIX 15				
23 MIX 2				
24 MIX 13				
25 MIX 14				
26 MIX 1				
27 REF GND				
28 MIX L				
29 MIX R				
30 REF GND				
31 AUX 4				
32 AUX 6				
33 AUX 3				
34 AUX 5				
35 AUX 2				
36 AUX 1				
37 AUX 7				
38 AUX 8				
39 AUD GND				
40 PFL L				
41 AFL L				
42 PFL R				
43 AFL R				
44 AUD GND				
45 AUX GND				
46 AUD GND				
47 +15V A				
48 +15V B				
49 +15V B				
50 -15V B				
51 -15V B				
52 -15V A				
53 -15V B				
54 -15V A				
55 -15V B				
56 P/AFL				
57 CH DC				
58 MON DC				
59 CH ENB				



UNIT TITLE: AHB SIGMA

DRAWING TITLE: MONITOR MASTER PCB AG0122 ISS 3 SCHEMATIC

DRAWING No. M00182

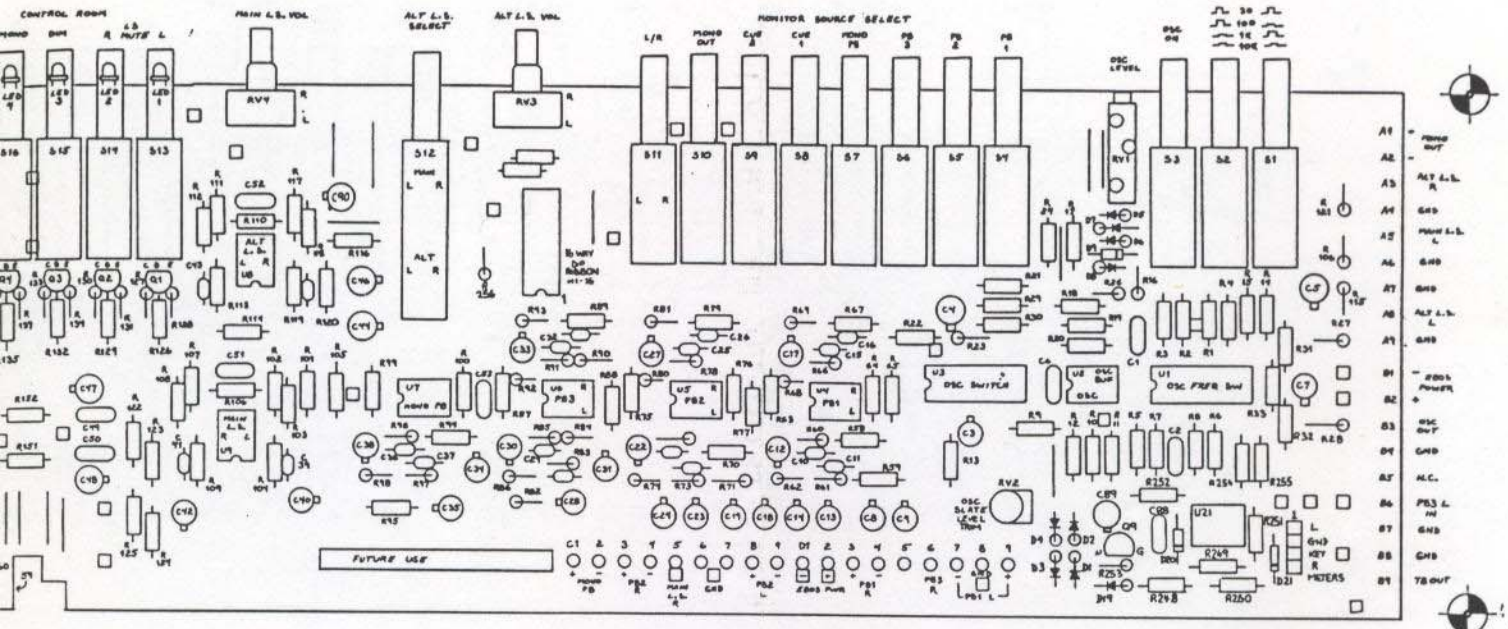
ISSUE 2

ALLEN & HEATH BRENNEL LTD. PROFESSIONAL AUDIO EQUIPMENT MANUFACTURERS

M450 iss 3 AFTER JAN 87.  
FROM S/N O M41010



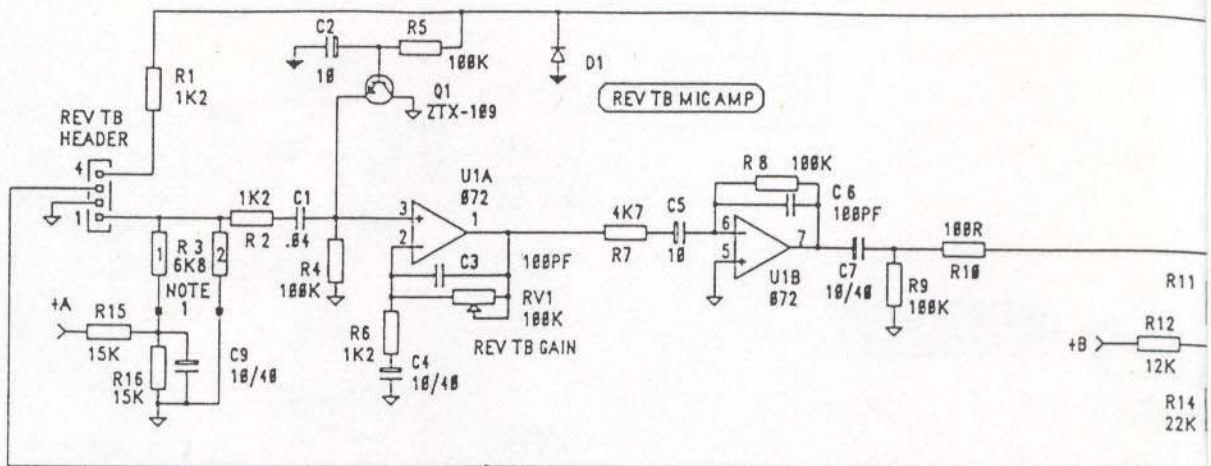




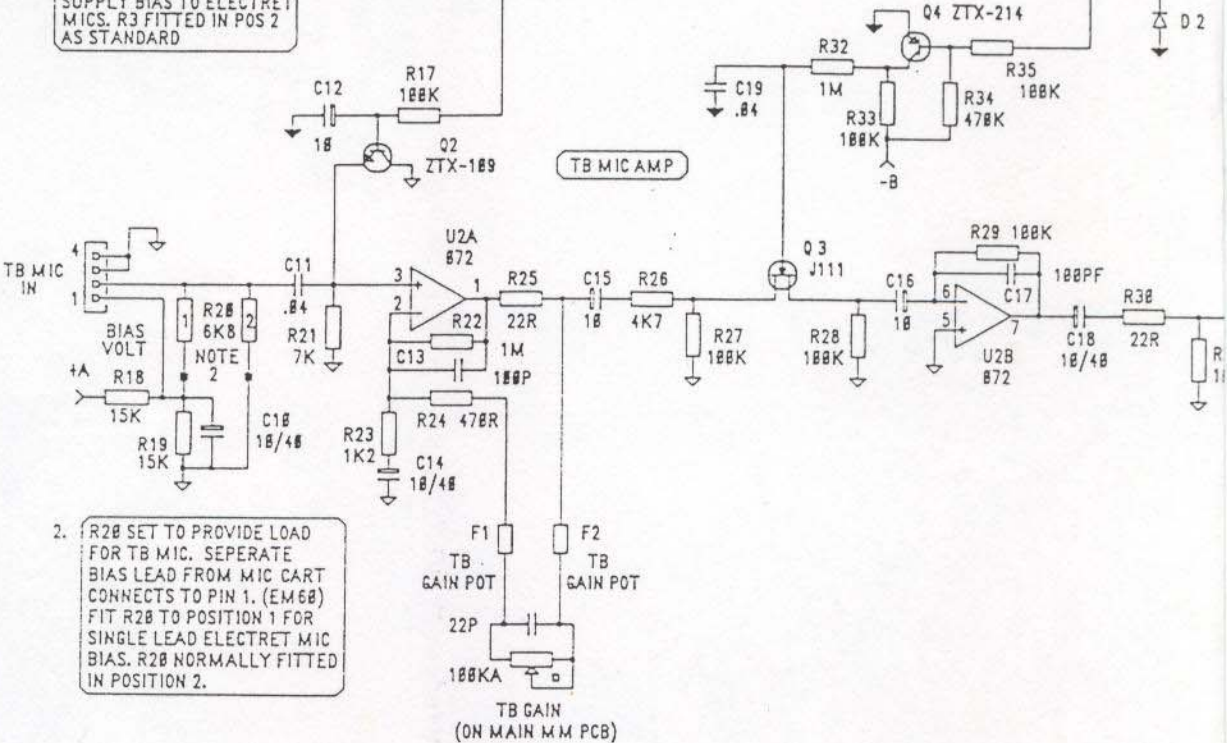
□ = PIN THRU

M450 1553 PCB  
 FROM S/N# M41010

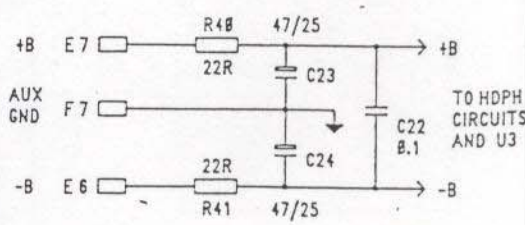
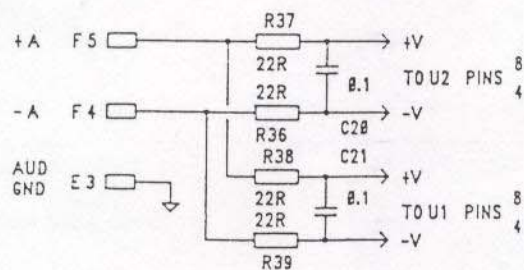




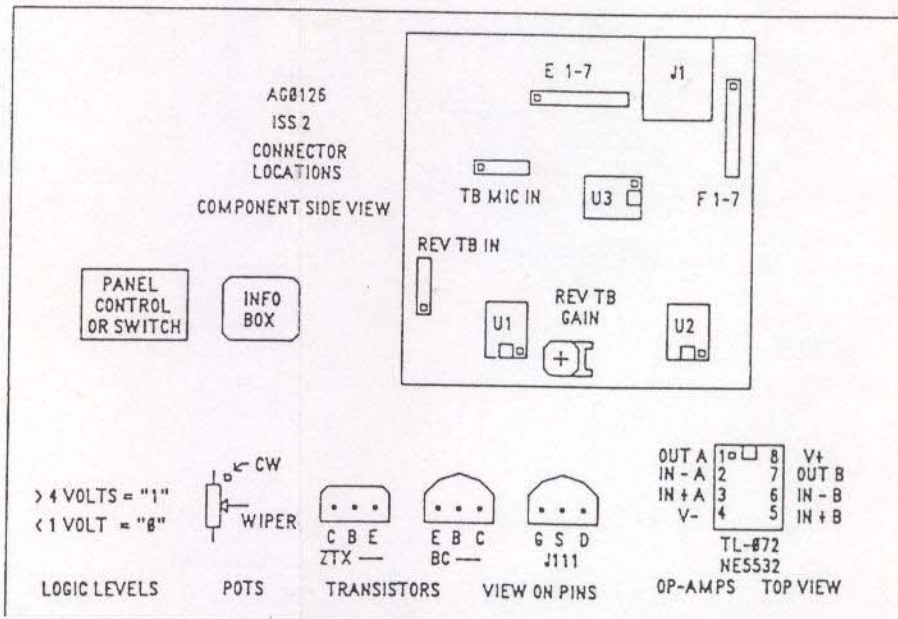
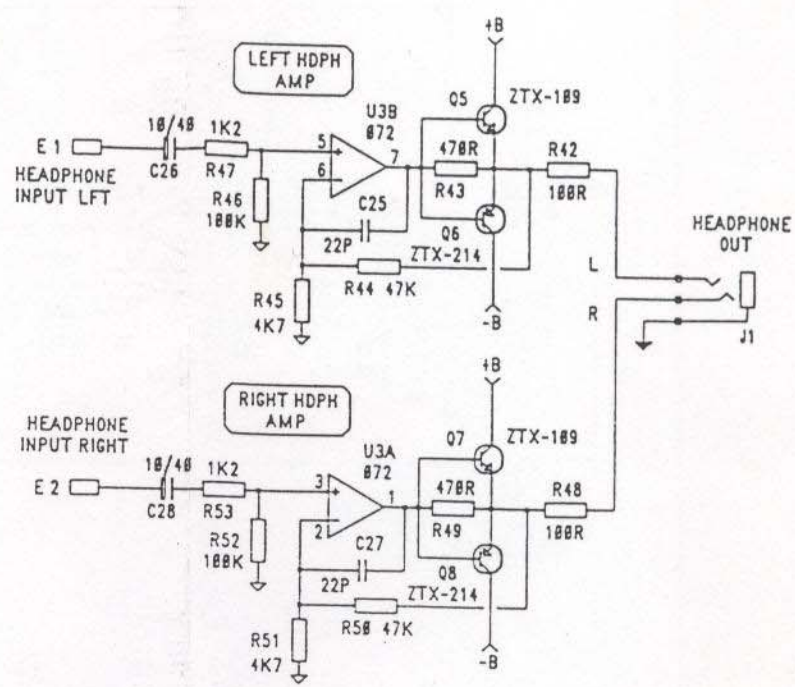
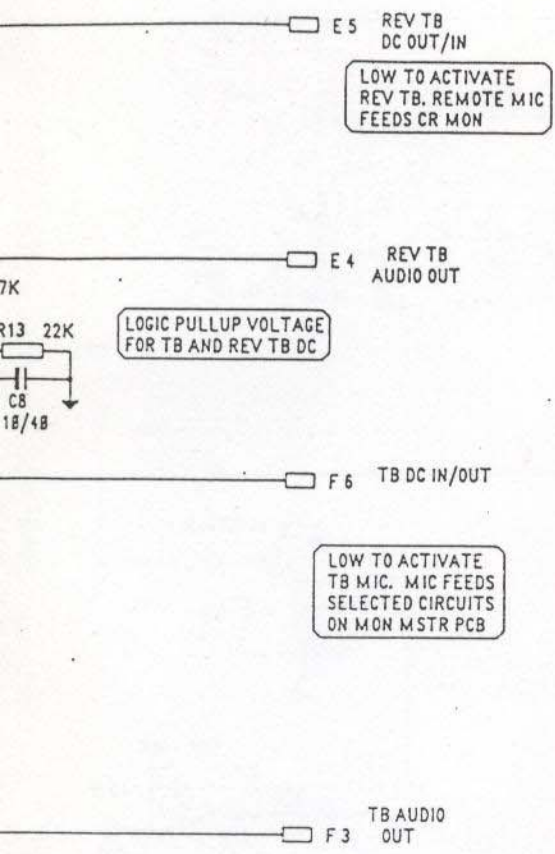
1. FIT R3 TO POSITION 1 TO SUPPLY BIAS TO ELECTRET MICS. R3 FITTED IN POS 2 AS STANDARD



2. R20 SET TO PROVIDE LOAD FOR TB MIC. SEPERATE BIAS LEAD FROM MIC CART CONNECTS TO PIN 1. (EM60) FIT R20 TO POSITION 1 FOR SINGLE LEAD ELECTRET MIC BIAS. R20 NORMALLY FITTED IN POSITION 2.



				ABBREVIATIONS		
				U 3	CR = CONTROL ROOM	PLYBK, PB = PLAYBACK
				Q 8	TB = TALKBACK	PFL = PRE-FADER LISTEN
				D 2	MON = MONITOR	AFL = AFTER FADER LISTEN
JRP	PIN #, R3 POSITION CHANGE	30 NOV 86	JRP	C 28	R, RT = RIGHT	OP = OUTPUT
JRP	ORIGINAL	10 OCT 86	JRP	R 53	L, LFT = LEFT	
DRAWN	REVISION	DATE	CHECKED	LAST USED	HDPH = HEADPHONE	
					L.S. = LOUD SPEAKER	



E & F - CONN TO M M PCB			
PIN	SIGNAL	PIN	SIGNAL
E 1	HDPH IN L	F 1	TB GAIN 1
E 2	HDPH IN R	F 2	TB GAIN 2
E 3	AUD GND	F 3	TB OUT A
E 4	REV TB A	F 4	-A -V
E 5	REV TB DC	F 5	+A +V
E 6	-B -V	F 6	TB DC
E 7	+B +V	F 7	AUX GND

DEFAULTS UNLESS SPECIFIED

ALL DIODES 1N4148  
ELECTROLYTIC CAPS - VAL/VOLT  
RESISTORS - 1/4 W 5%  
LEDS ARE T1 SIZE  
SWITCHES SHOWN DESELECTED  
ALL LOGIC IS ACTIVE LOW

→ = AUDIO GND    → = AUX GND

CONNECTION LEGEND

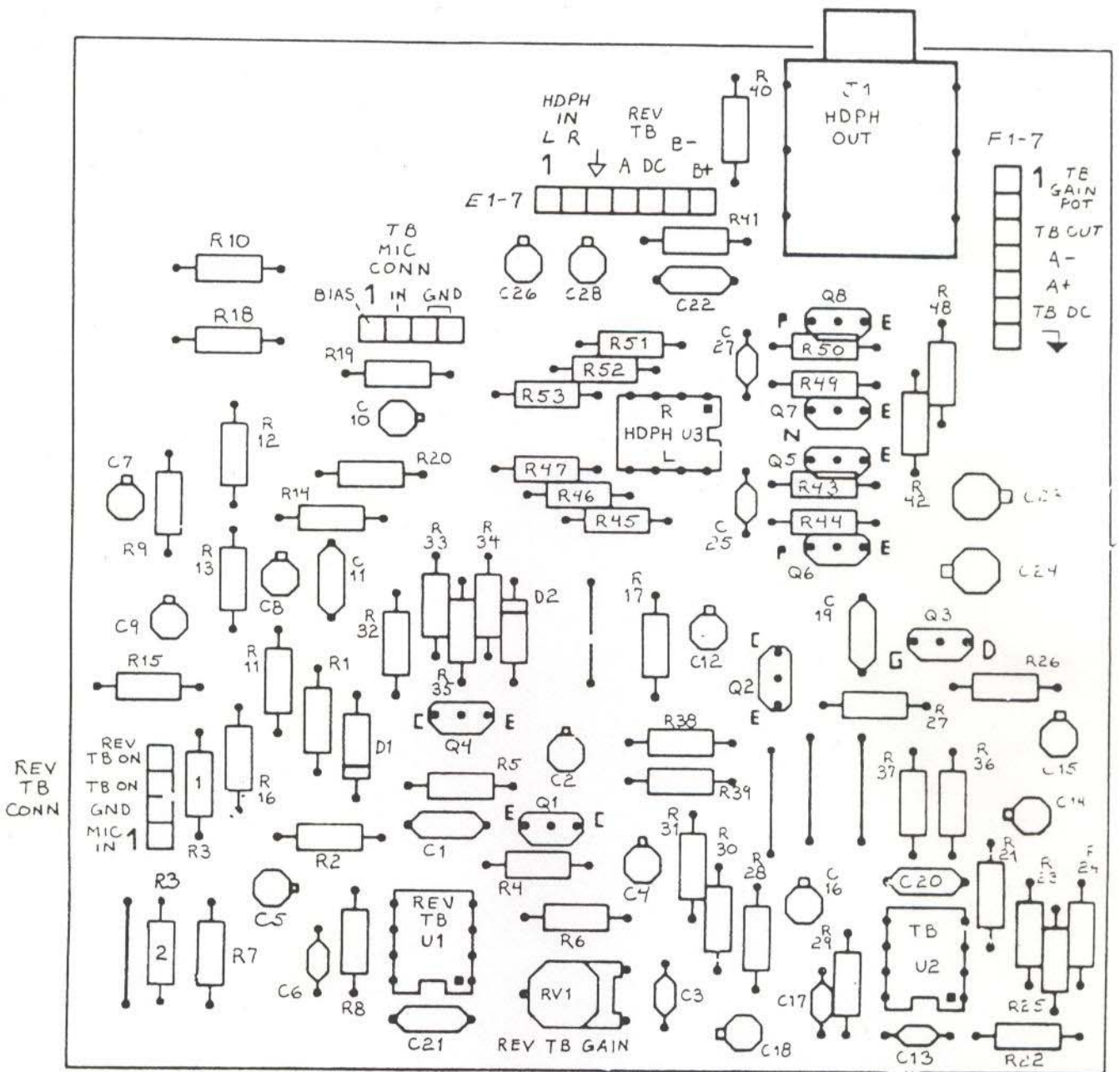
→ PC TRACES, AUDIO AND PWR WITHIN PCB

□ TO/FROM MON MASTER PCB, E AND F

UNIT TITLE AHB SIGMA		ALLEN & HEATH BRENNEL LTD. PROFESSIONAL AUDIO EQUIPMENT MANUFACTURERS
DRAWING TITLE SCHEMATIC AG0125 TALKBACK/HEADPHONE PCB ISS 2 • USED WITH MON MASTER PCB •		DRAWING No. MBD183

TB (-M450)

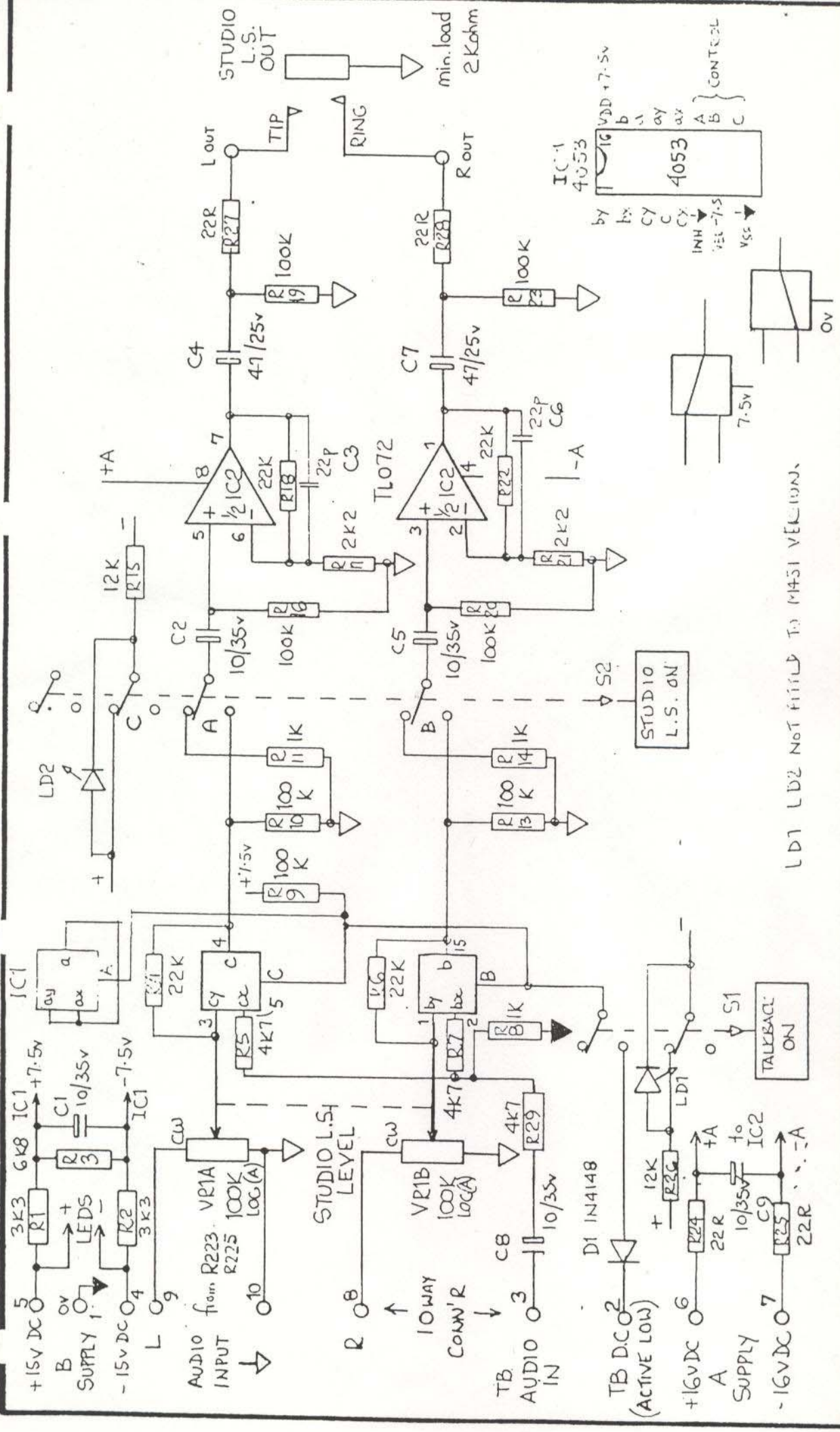




AHB SIGMA TB PCB AGO126 ISS 2

R3: POSITION 1 FOR ELECTRET MICROPHONES WHICH REQUIRE BIAS (+7.5V DC)  
 POSITION 2 FOR DYNAMIC MICROPHONES.  
 CONSOLES ARE SHIPPED SET WITH POSITION 2.

TB



**STUDIO L.S. PCB CCT. AGO199 iss 1**

**PART of AHB SIGMA M451 ASSEMBLY**

IC-1  
4053  
VDD +7.5v  
b  
by  
by  
cy  
c  
cy  
cy  
INH -7.5  
VEL -7.5  
VSS  
CONTROL  
A  
B  
C

LD1 LD2 NOT FITTED TO M451 VERSION.  
7.5V  
OV

**AHB** ALLEN & HEATH BRENNELL LTD  
 PROFESSIONAL AUDIO EQUIPMENT MANUFACTURERS  
 DESIGN DEPT. 98 SHIP STREET, BROXTON BR4 1AE TEL 0273 21928  
 FACTORY KERICK INDUSTRIAL EST. PENRYN, CORNWALL. TR 9 7JH 72070

LD2  
LD1  
S1  
S2  
+15v DC  
-15v DC  
AUDIO INPUT  
TB AUDIO IN  
AUDIO L.S. LEVEL  
STUDIO L.S. OUT  
min. load 2Kohm

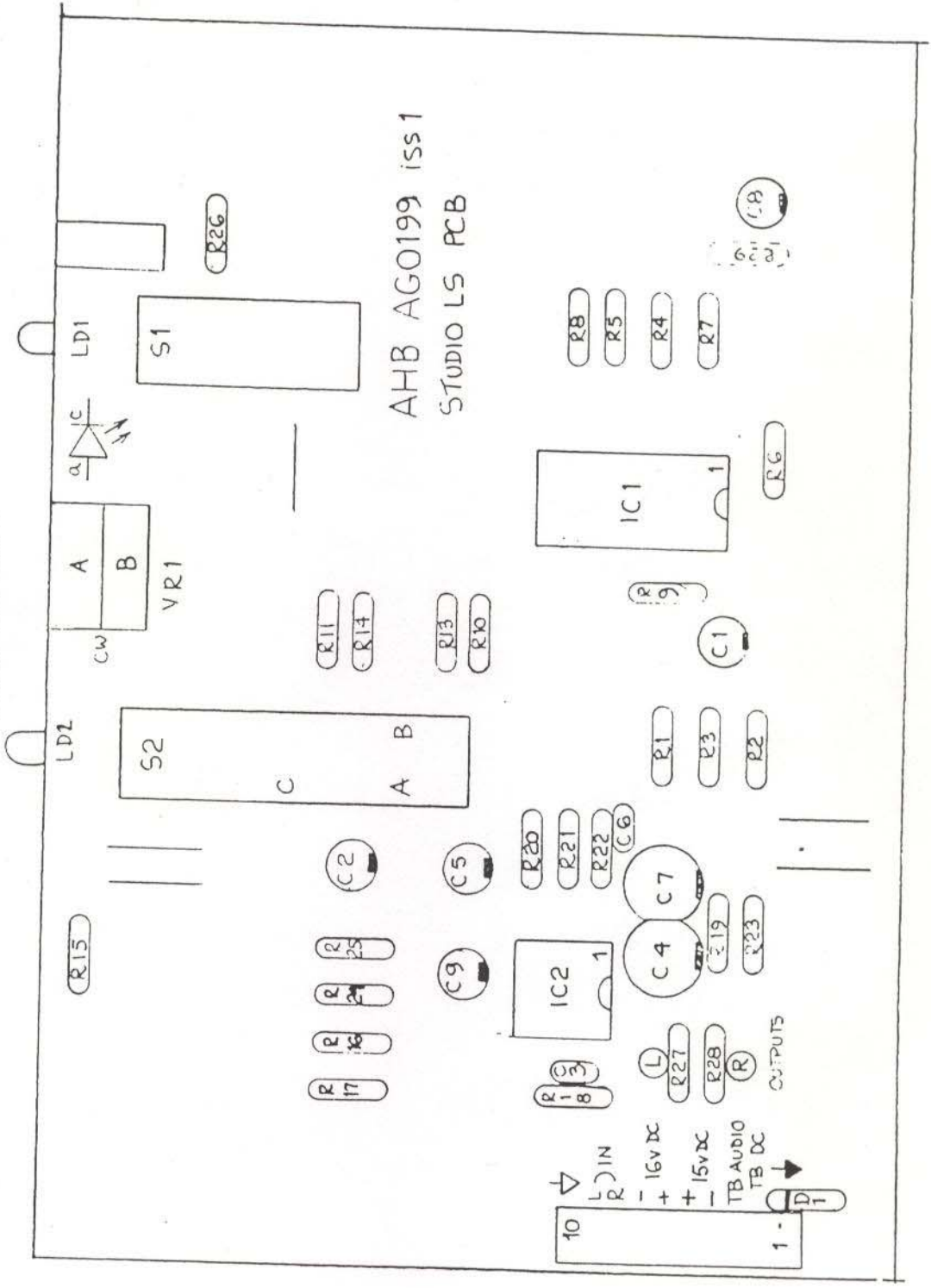
DRAWING No. | ISSUE

DRG.No. A170

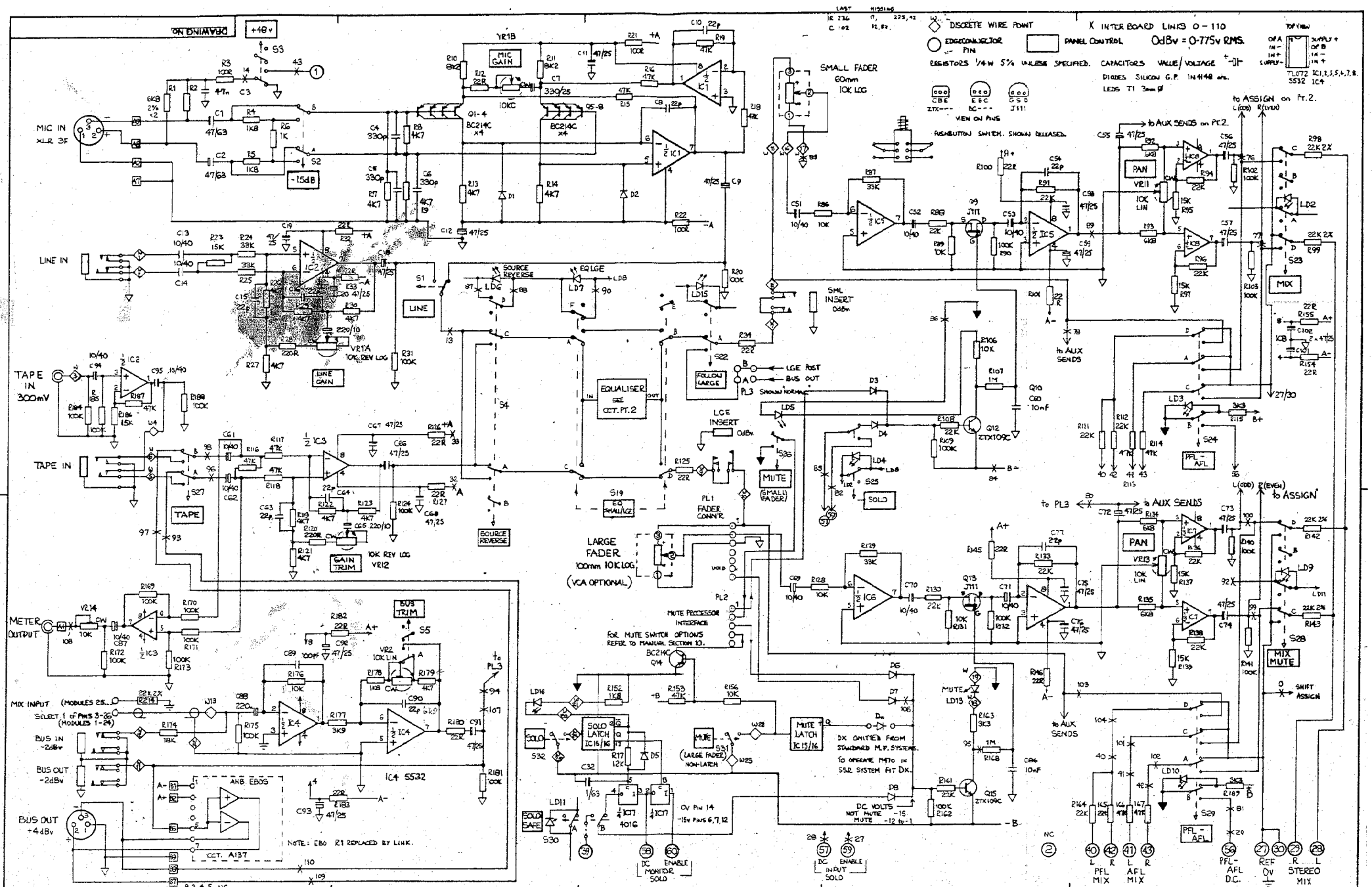
T 8 JAN 68

M451 MODULE  
LD1, 2 NOT FITTED

AHB AG0199 iss1  
STUDIO LS PCB







DESIGN	REVISION	DATE	BY

**STANDARD NOTES**  
 ALL DIMENSIONS IN mm  
 DO NOT SCALE DRAWING  
 THIRD ANGLE PROJECTION  
 REMOVE ALL BURRS & SHARP EDGES

**SCALE**

**MATERIAL**

**TOLERANCES**  
 GENERAL ±0.25 mm  
 HOLE CENTRES ±0.15 mm  
 HOLE SIZES ±0.10 mm

UNLESS STATED OTHERWISE

**FINISH**

**NOTES**  
 APPLIES TO PCB TYPES  
 AG0184 iss 3  
 AG0185 iss 3  
 AG0133 iss 2

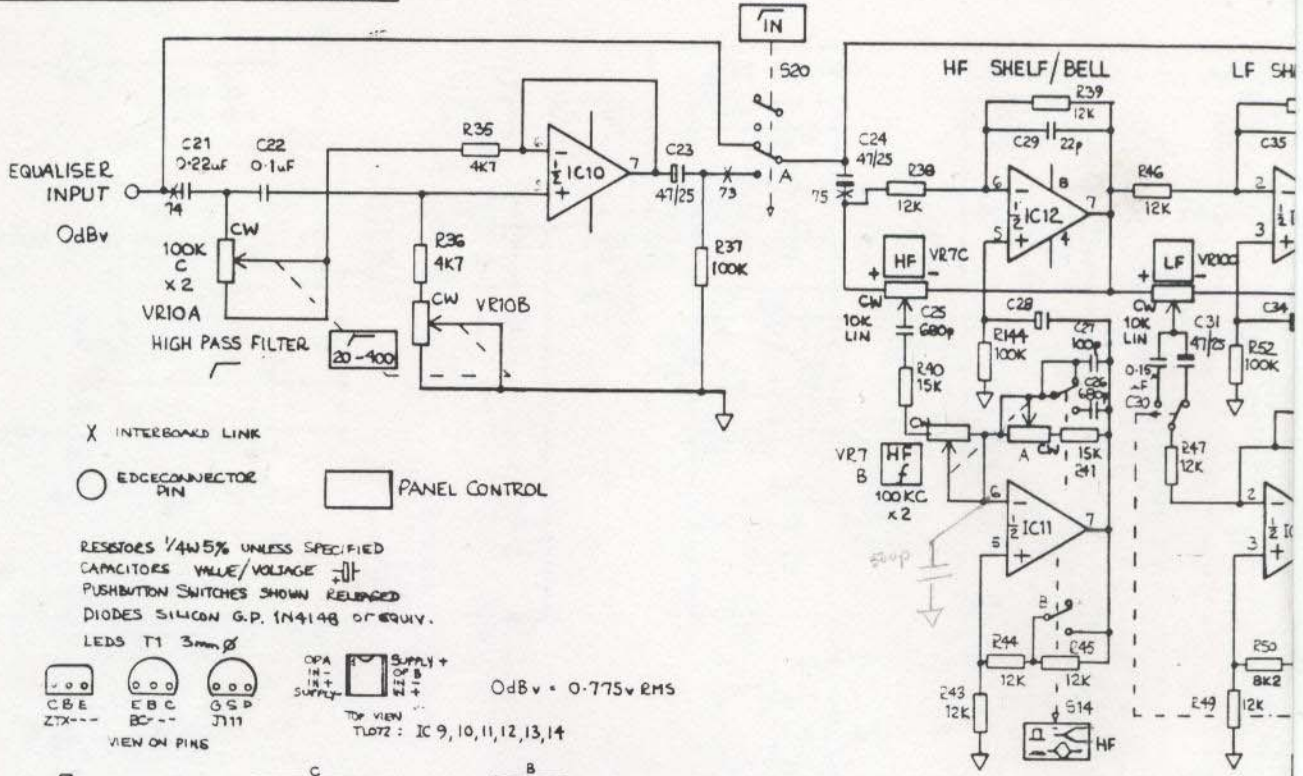
**UNIT TITLE**  
 AHB SIGMA SERIES

**DRAWING TITLE**  
 M470 CCT. PART 1 of 3

**AHB ALLEN HEATH BRENELL LTD.**  
 PROFESSIONAL AUDIO EQUIPMENT MANUFACTURERS

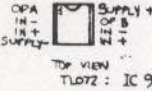
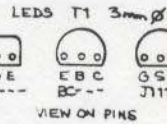
DESIGN DEPT. 48 SHIP STREET, BIRMINGHAM B1 1HE TEL: 0121 625 3424  
 FACTORY: KENWOOD INDUSTRIAL EST., NEWBY, CORNWALL PL30 3JG

**DRAWING NO. MBD187** **ISSUE 4**

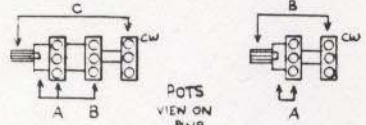
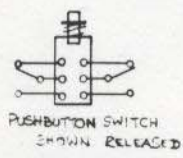


X INTERBOARD LINK  
 ○ EDGECONNECTOR PIN  
 □ PANEL CONTROL

RESISTORS 1/4W 5% UNLESS SPECIFIED  
 CAPACITORS VALUE/VOLTAGE  
 PUSHBUTTON SWITCHES SHOWN RELEASED  
 DIODES SILICON G.P. 1N4148 OR EQUIV.

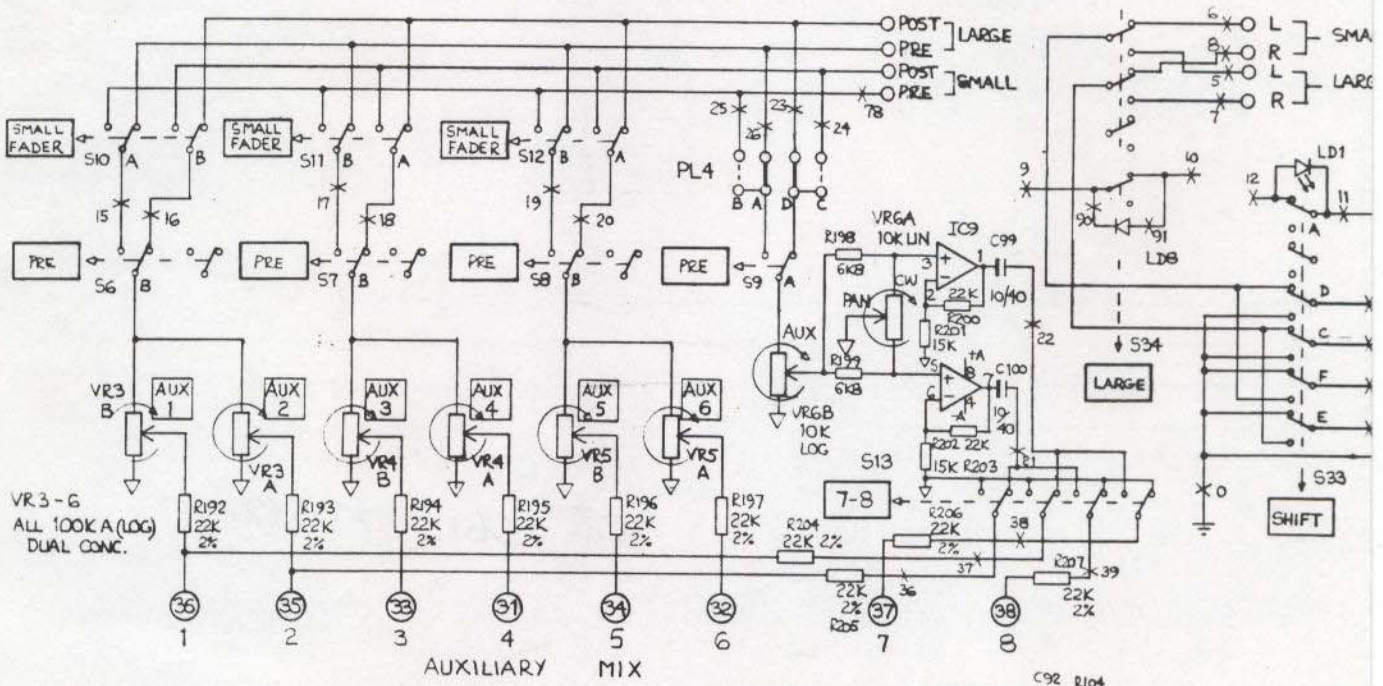


OdBv = 0.775v RMS



SOURCES OdBv  
 (From FADER BUFFERS)

AUXILIARY SENDS



VR3-6  
 ALL 100KA (LOG)  
 DUAL CONC.

AUXILIARY MIX

STANDARD NOTES

ALL DIMENSIONS IN mm  
 DO NOT SCALE DRAWING  
 THIRD ANGLE PROJECTION  
 REMOVE ALL BURRS & SHARP EDGES

MATERIAL

TOLERANCES

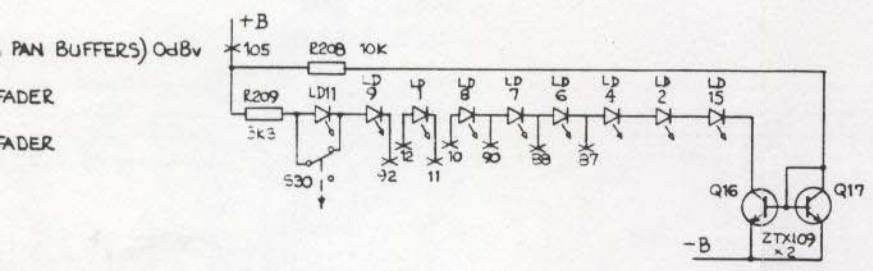
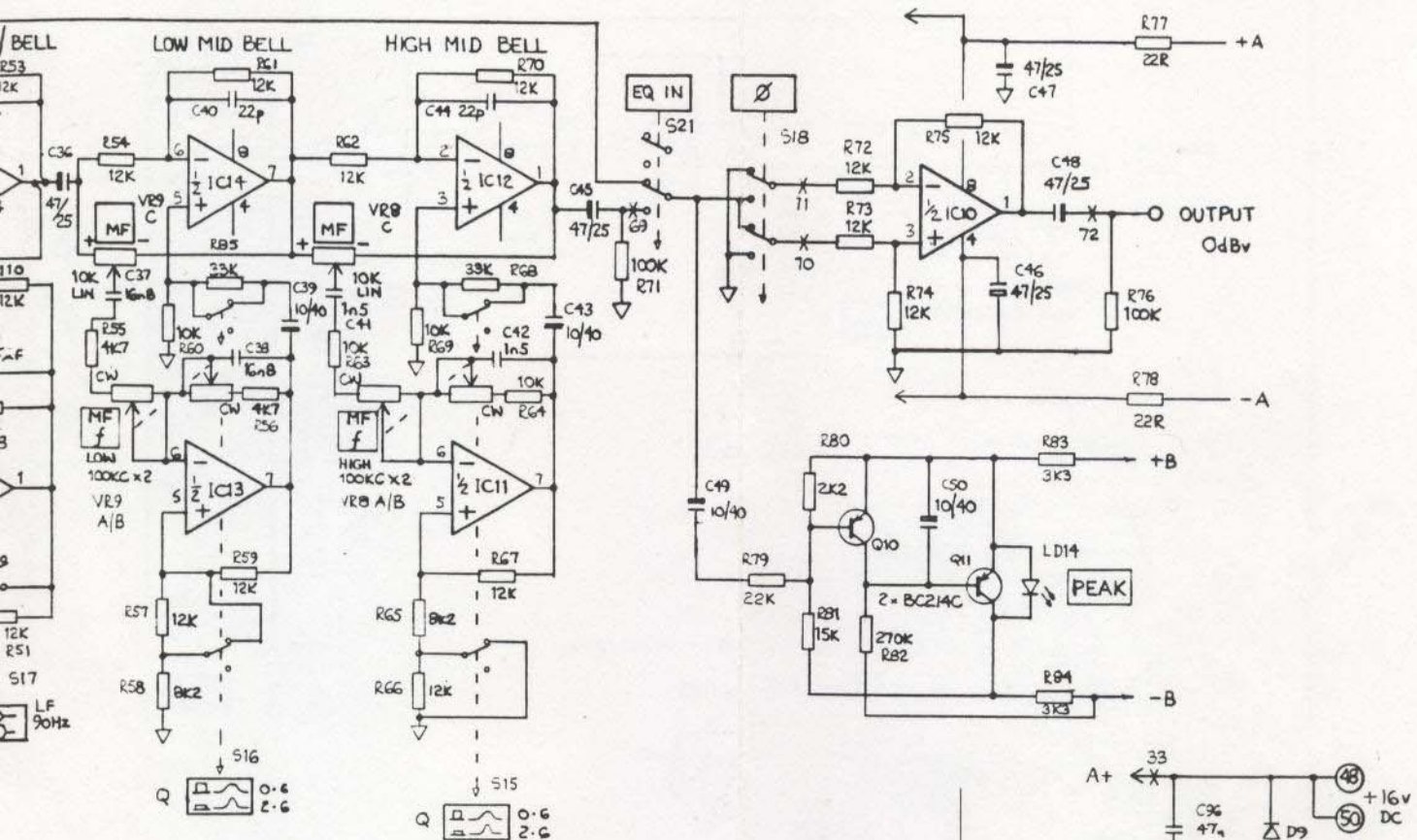
GENERAL ±0.25 mm  
 HOLE CENTRES ±0.15 mm  
 HOLE SIZES ±0.10 mm

SCALE

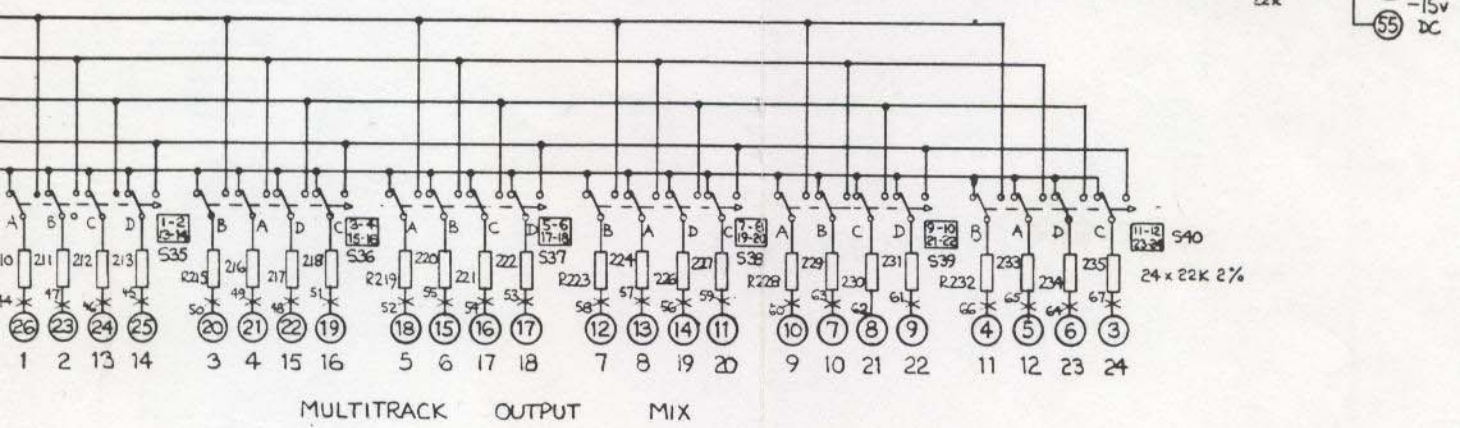
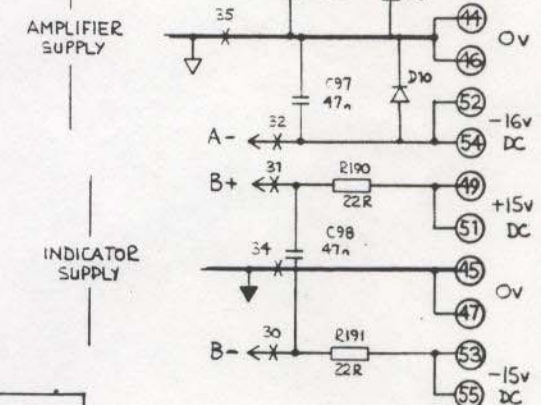
UNLESS STATED OTHERWISE

DESIGNED BY	REVISION	DATE	CHECKED
PRODUCED BY		July 87	



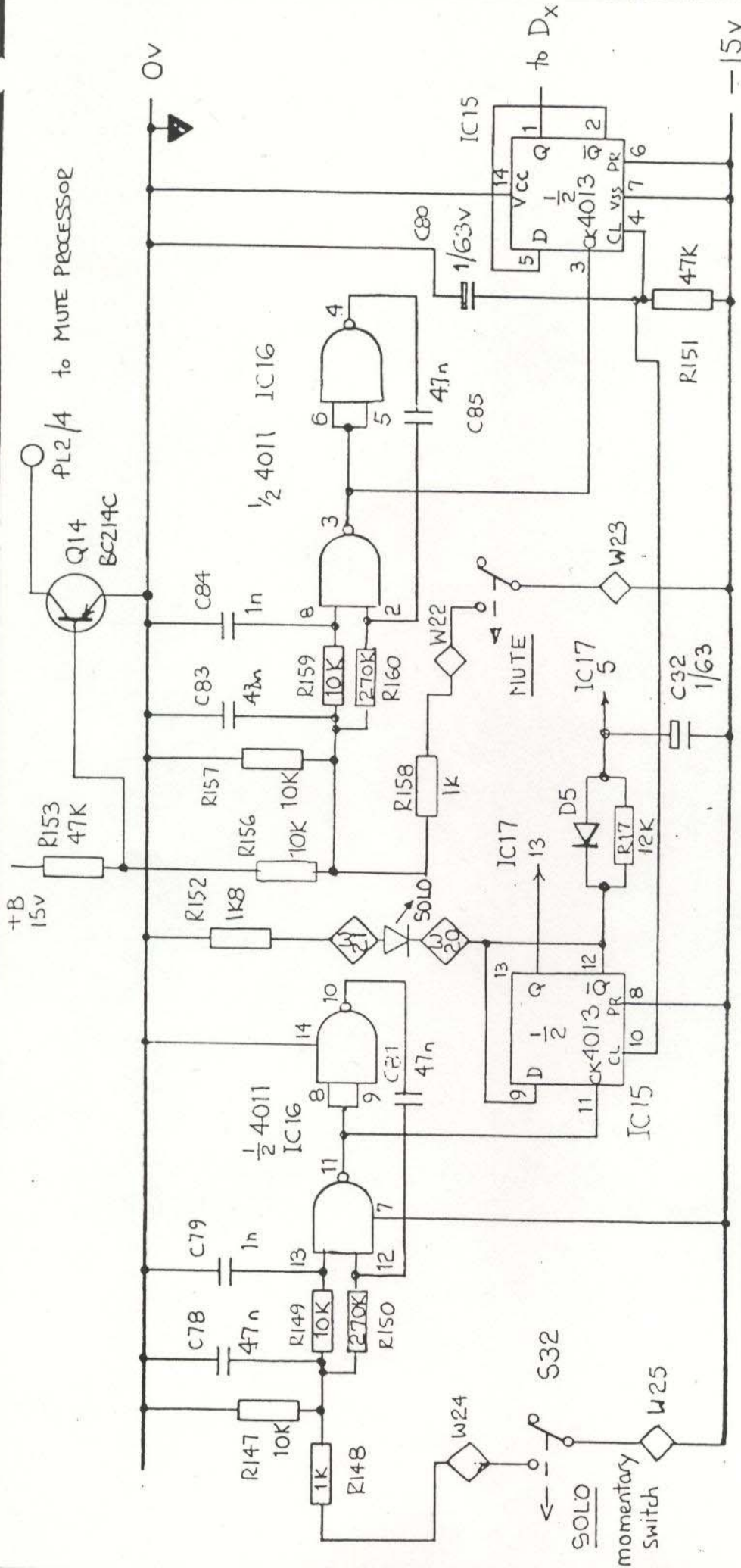


GROUP ASSIGN



NOTES APPLIES TO PCB TYPES AGO184 1SS 3 AGO185 1SS 3	UNIT TITLE AHB SIGMA SERIES	<b>AHB</b> ALLEN & HEATH BRENNELL LTD PROFESSIONAL AUDIO EQUIPMENT MANUFACTURERS DESIGN DEPT 68 SHIP STREET, BRISTOL BN1 1AE Tel 0378 24828 FACTORY KERNICK INDUSTRIAL EST, PENRYN, CORNWALL Tel 03261 72078
	DRAWING TITLE M470 CCT. PART 2 of 3	





MUTE LATCH	CK	Q	Q̄	MUTE LED	Q17	AUDIO
Power UP	LOW	LOW	HIGH	OFF	off	ON
NOT MUTE	LOW	LOW	HIGH	OFF	off	OFF
MUTE	HIGH	HIGH	LOW	HIGH	ON	OFF

SOLO LATCH	CK	Q	Q̄	SOLO LED	IC17
Power UP	LOW	LOW	HIGH	off	o/c
NOT SOLO	LOW	LOW	HIGH	off	o/c
SOLO	HIGH	HIGH	LOW	ON	o/c

MUTE LATCH NOT USED ON M470 + MUTE PROCESSOR. MUTE LATCH USED WHEN M470 + S32 OR M470 + S32 + S33. USE D<sub>x</sub> OMIT MUTE LATCH LED WHEN M470 + S32 OR M470 + S32 + S33. USE D<sub>x</sub> FIT

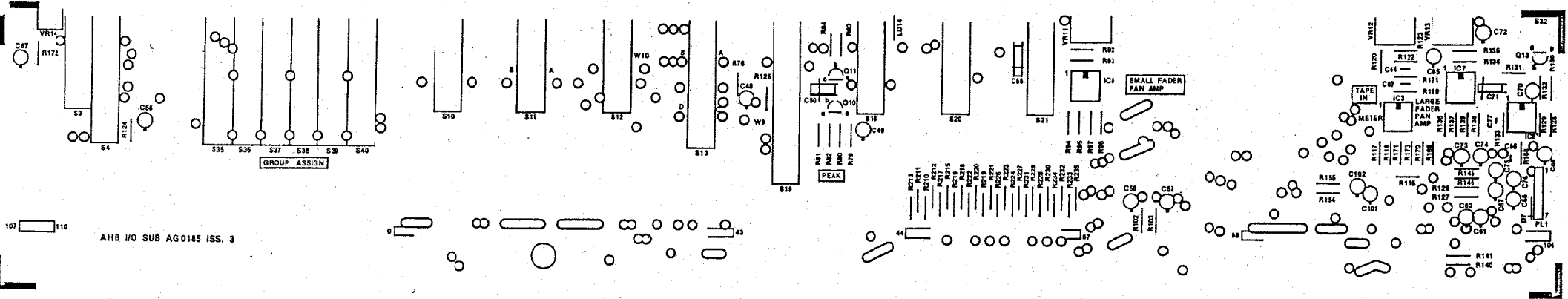
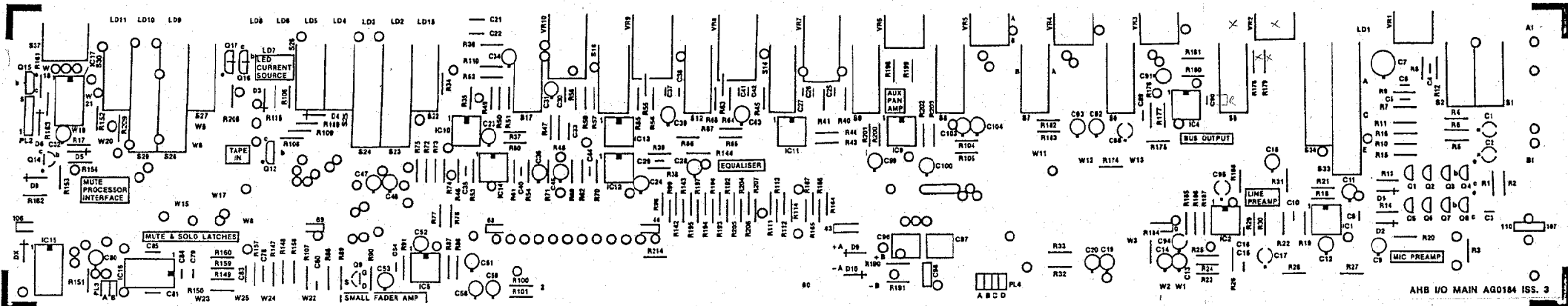
**AHB**  
**ALLEN & HEATH REVELL LTD**  
 PROFESSIONAL AUDIO EQUIPMENT MANUFACTURERS  
 THE SIGN DEPT. BRUSH STREET, BRIGHTON BN1 4AE TEL 0273 24008  
 FACTORY: KENOX INDUSTRIAL EST, PENNYHILL, BRIGHTON BN1 7JY

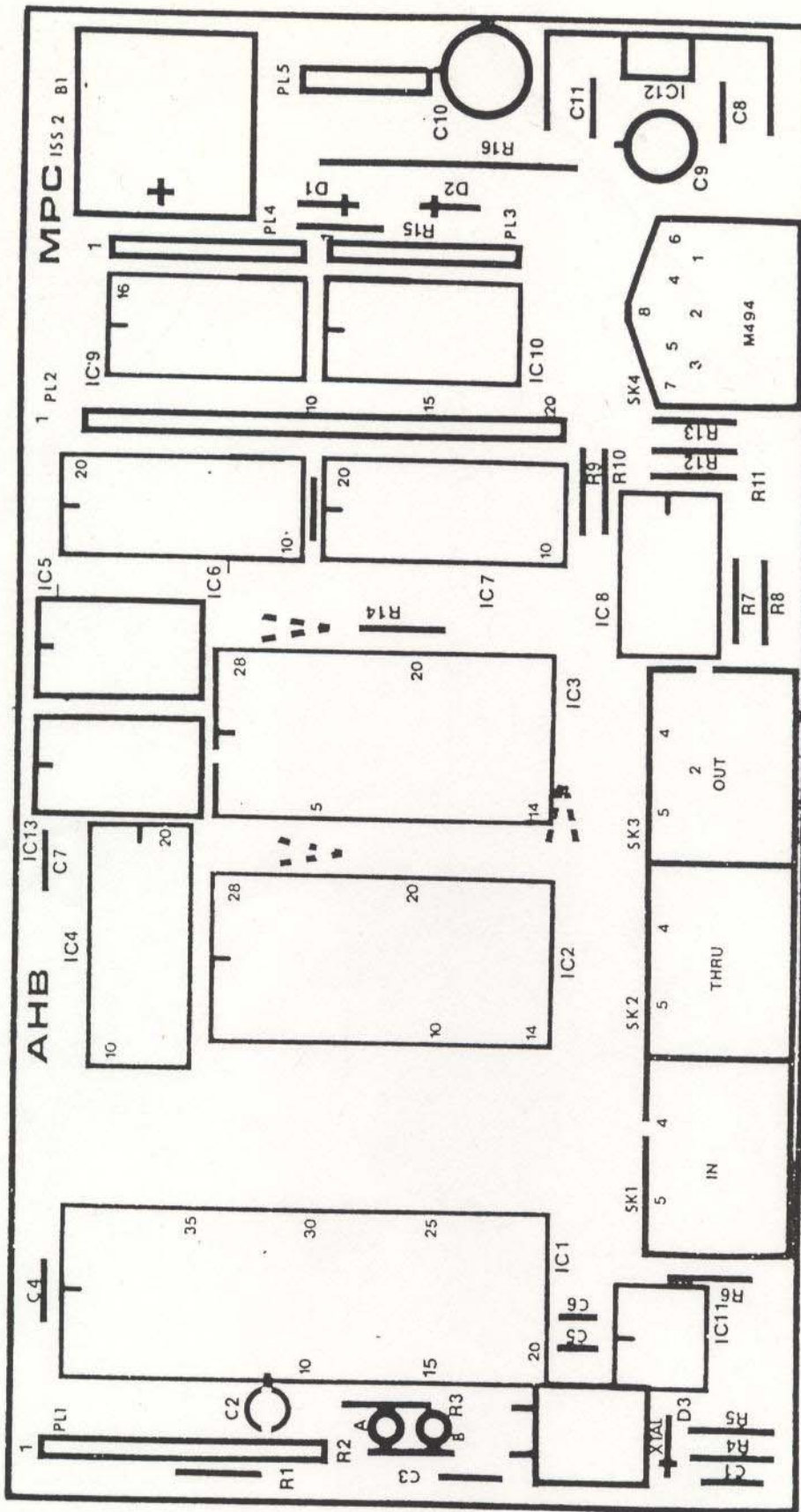
DRAWING NO. MBDI89 | Issue 3

TITLE: AHB SIGMA I/O M470 LATCH PART of AGO184.

DRG.No







# AHB

ALLEN & HEATH BRENNELL LTD.

PROFESSIONAL AUDIO EQUIPMENT  
MANUFACTURERS

'DESIGN DEPT' 69, SHIP STREET, BRIGHTON BN1 1AE

Tel (0273) 24928

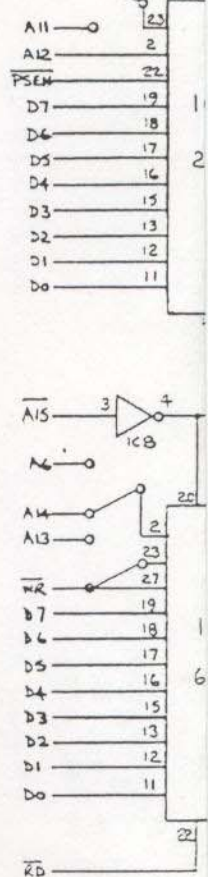
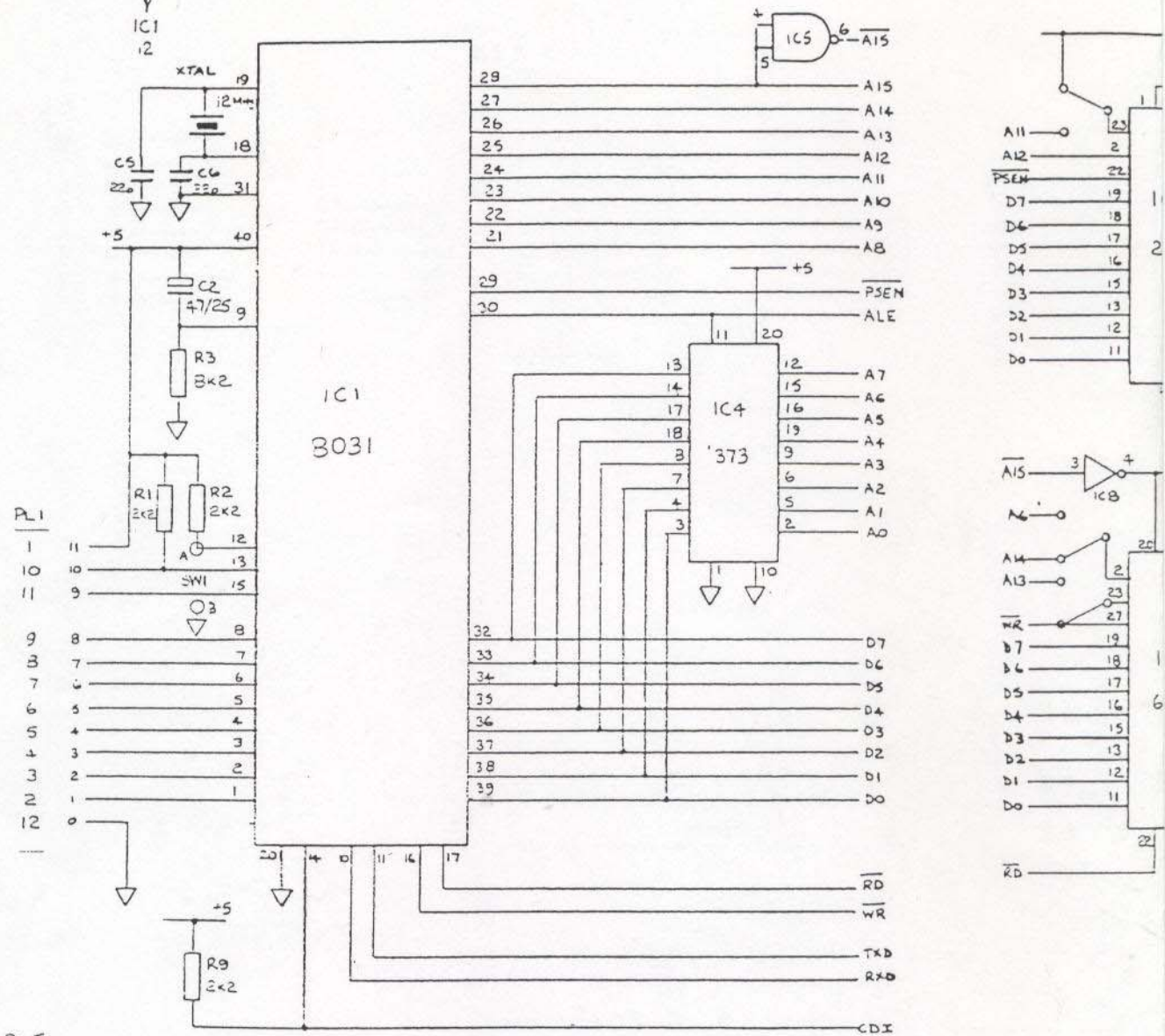
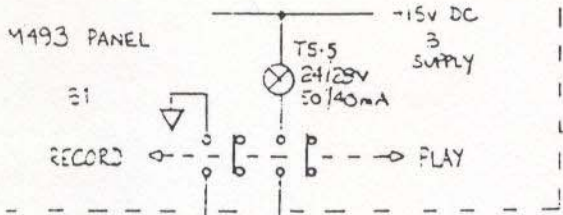
'FACTORY' KERNICK INDUSTRIAL EST, PENRYN, CORNWALL

Tel (0326) 72070

DRAWING No.

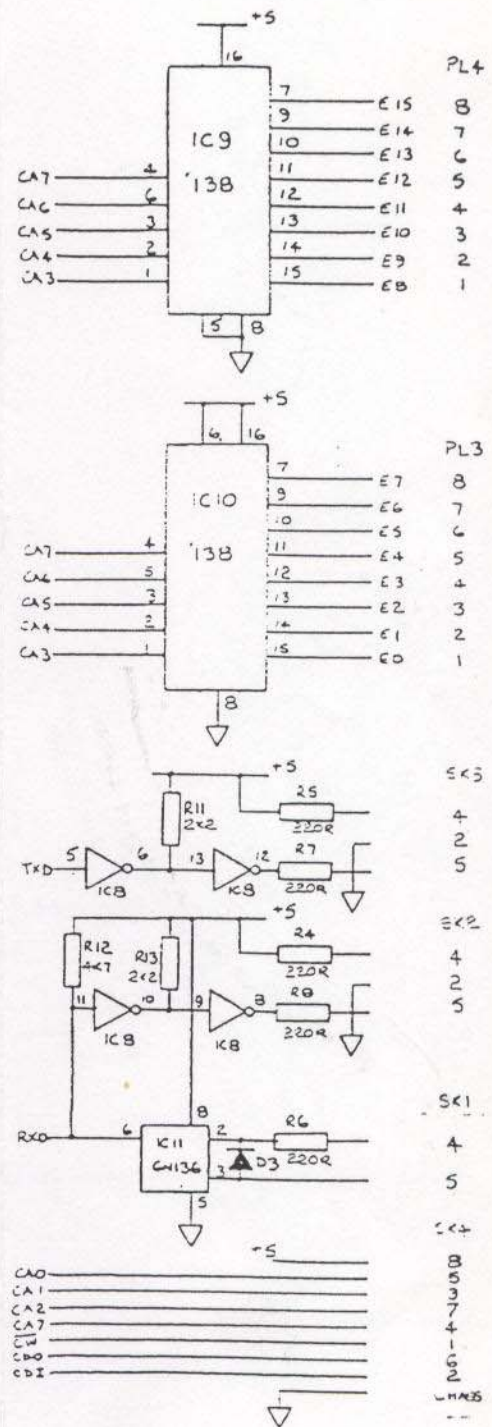
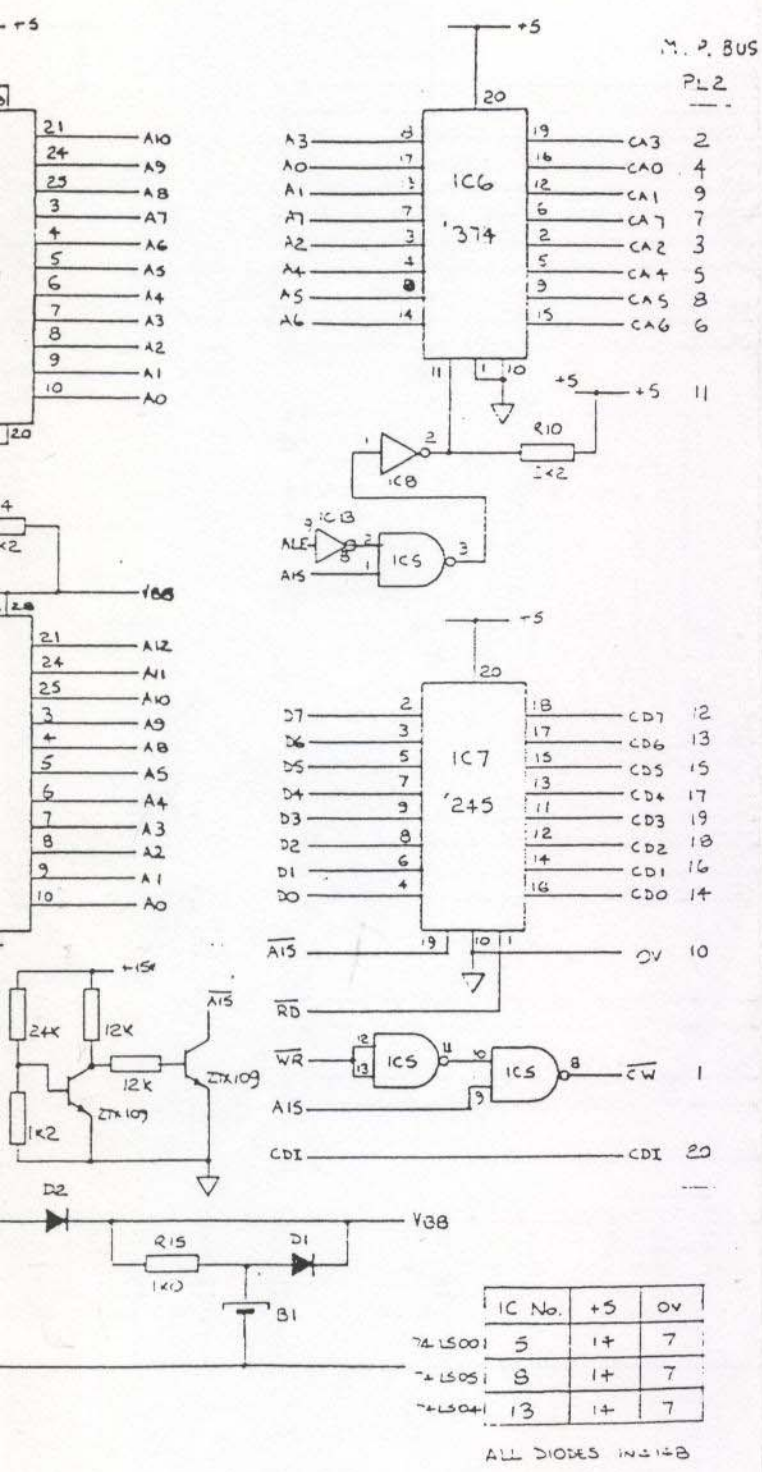
Issue

MUTE PROCESSOR COMPUTER PCB ASSEMBLY



<p>STANDARD NOTES</p> <p>ALL DIMENSIONS IN mm</p> <p>DO NOT SCALE DRAWING</p> <p>THIRD ANGLE PROJECTION</p> <p>REMOVE ALL BURRS &amp; SHARP EDGES</p>		<p>MATERIAL</p>		<p>TOLERANCES</p> <p>GENERAL ±0.25 mm</p> <p>HOLE CENTRES ±0.15 mm</p> <p>HOLE SIZES ±0.10 mm</p>	
<p>SCALE</p>				<p>UNLESS STATED OTHERWISE</p>	





NISH

NOTES  
PCB A4B MPC AG0186

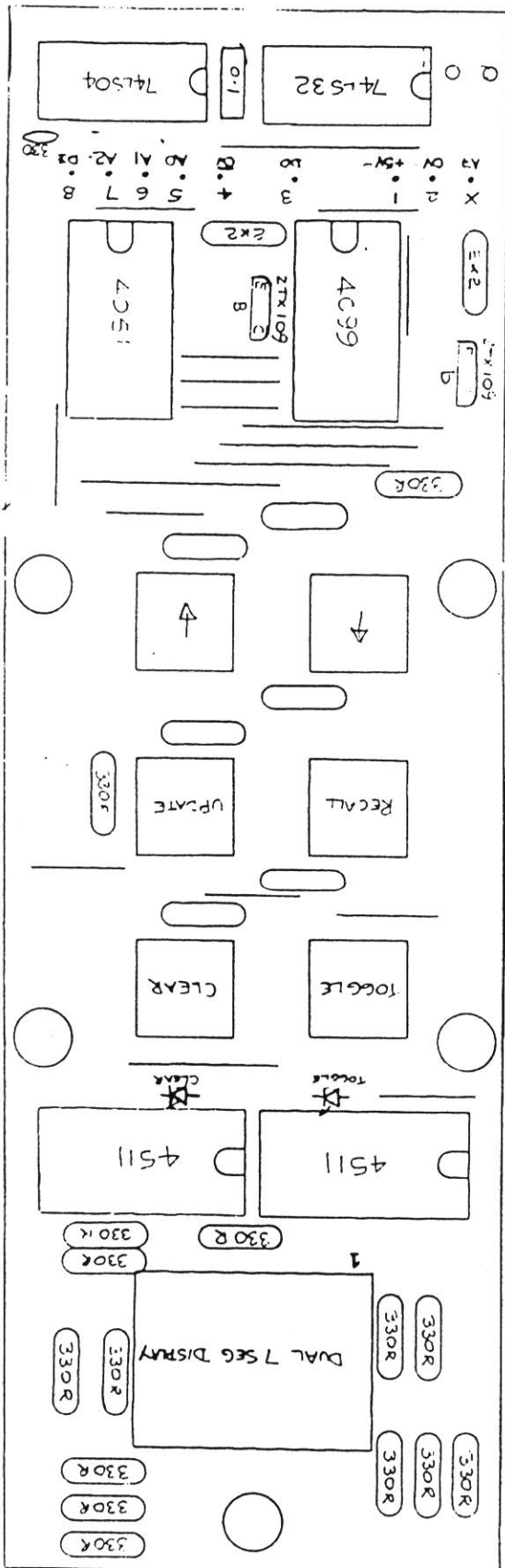
UNIT TITLE  
A4B MUTE PROCESSOR

DRAWING TITLE  
A-B MUTE PROCESSOR CARD

**AHB** ALLEN & HEATH BRISNELL LTD  
 PROFESSIONAL AUDIO EQUIPMENT MANUFACTURERS

DESIGN DEPT 28 SHIP STREET, BRIGHTON BN1 1UE TEL 01273 2000  
 FACTORY: HERRICK INDUSTRIAL EST, PENNYR, CORNHILL, BN1 2JH TEL 01273 7300

DRAWING NO. MBD 190 ISSUE 2



MUTE PROCESSOR  
 REMOTE PCB  
 AG0188  
 ISS 1

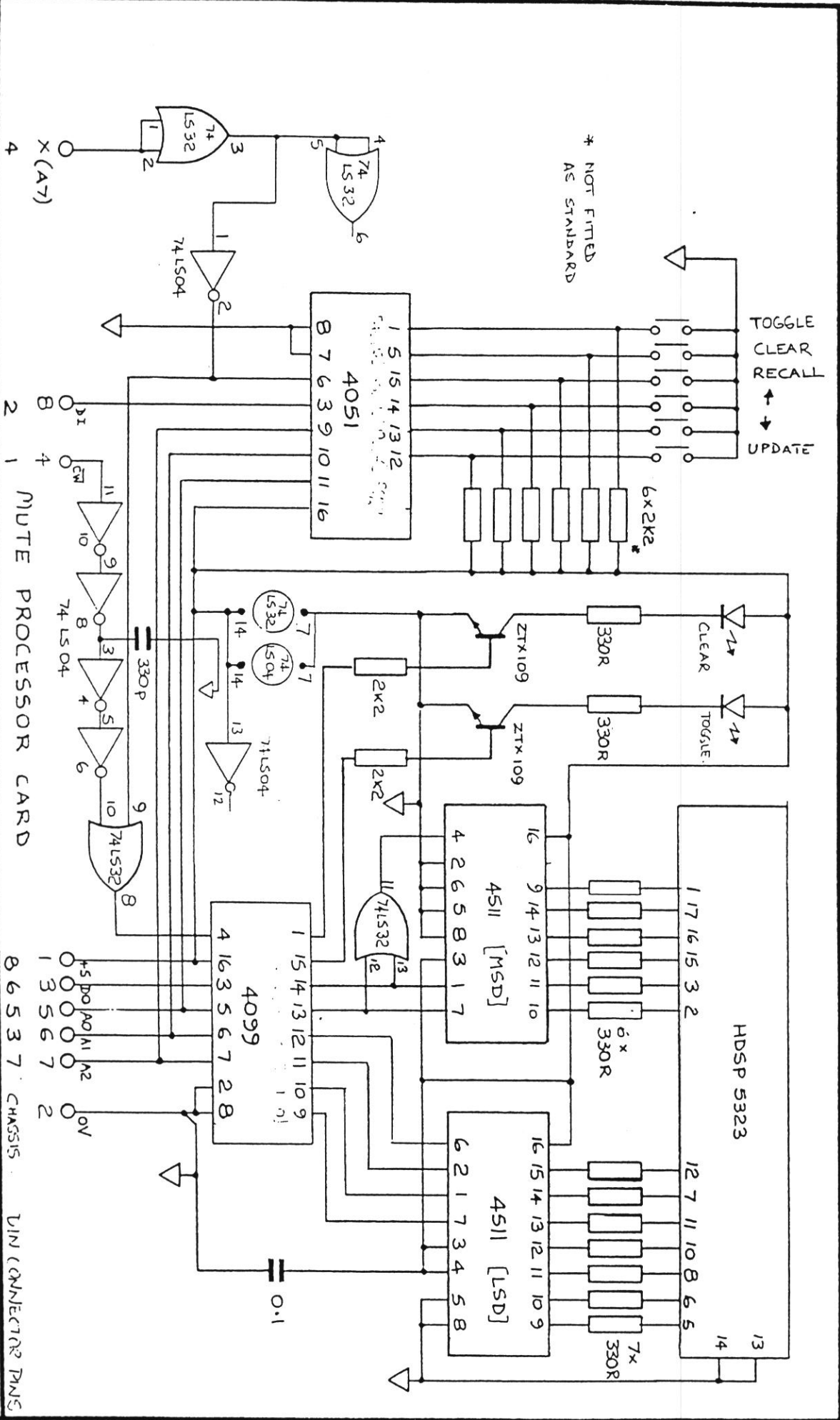
DRAWING No.

18540

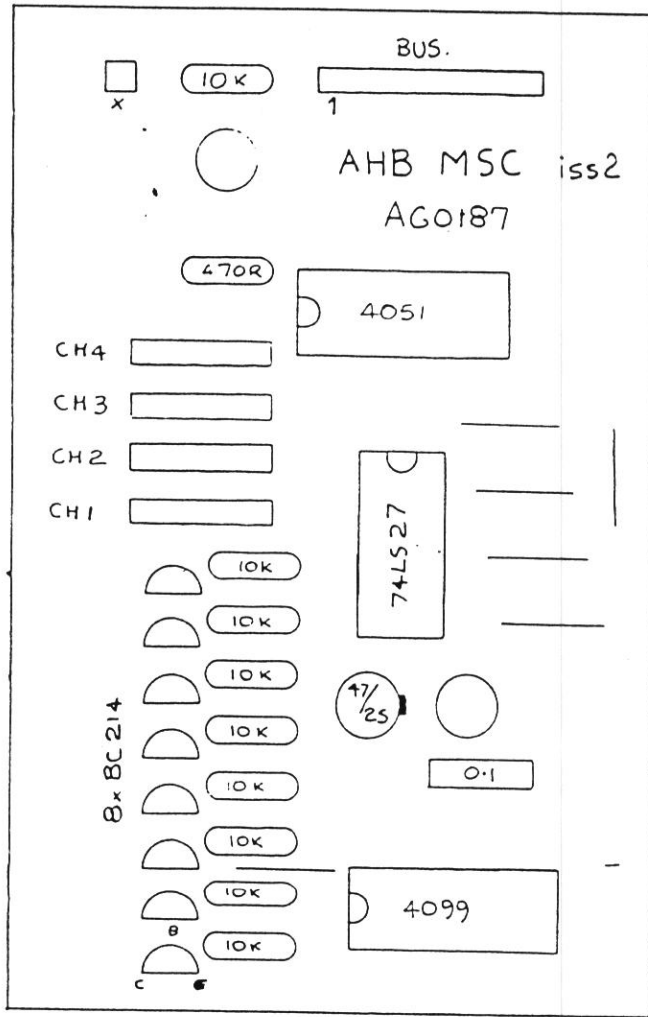
**AHB**

ALLEN HEATH BRENNELL LTD.  
 PROFESSIONAL AUDIO EQUIPMENT  
 MANUFACTURERS

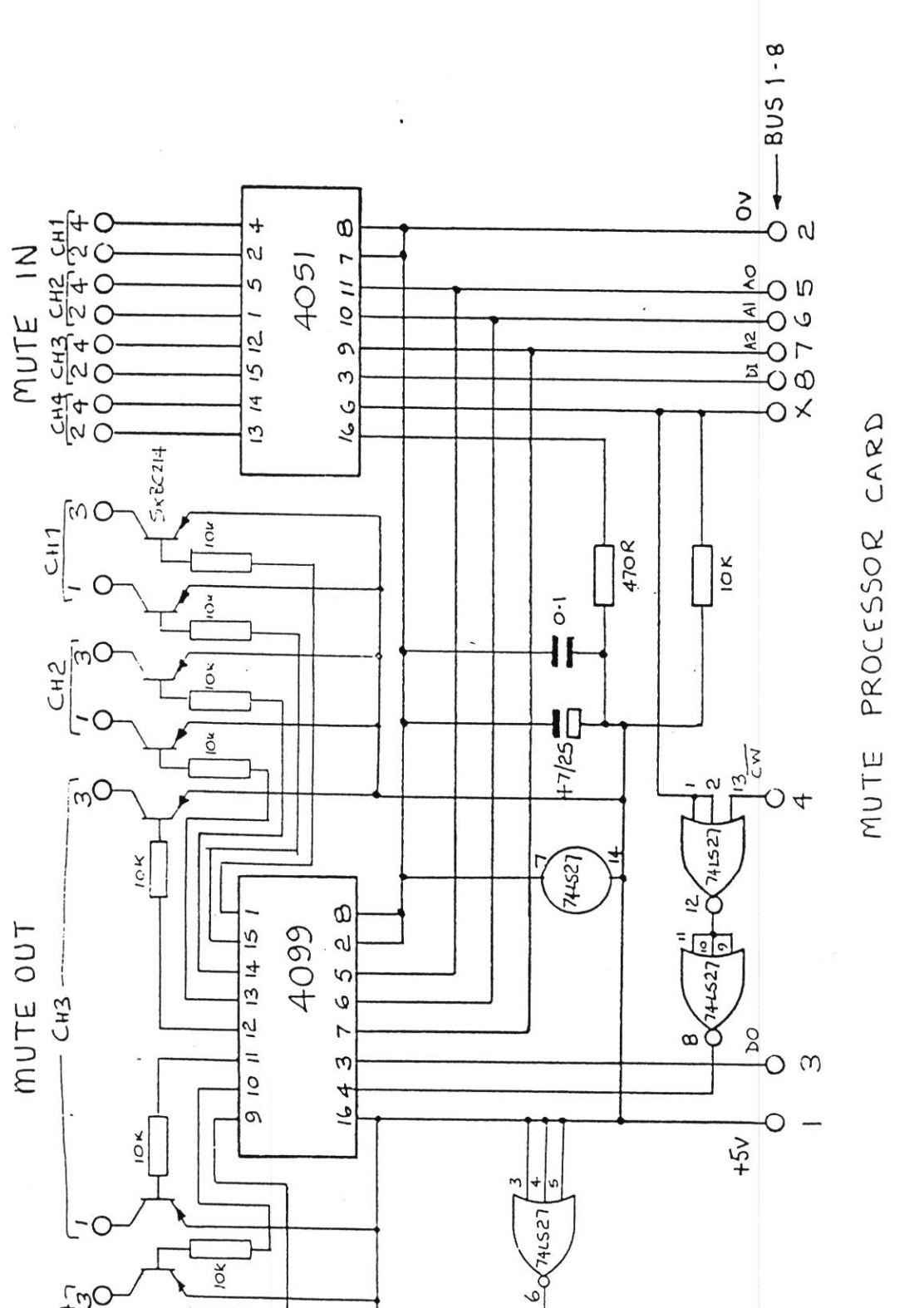
DESIGN DEPT. 69, SHIP STREET, BRIGHTON BN1 1AE  
 FACTORY, KERNICK INDUSTRIAL EST, PENNYN, CORNWALL TR1 0DZ  
 TEL 0273 24928  
 TEL 0273 72070







MUTE PROCESSOR SLAVE PCB : 1 PER 4 I/O MODULES  
 FITTED IN MAINFRAME FADEE BAY.



MUTE PROCESSOR CARD

**AHB**  
 ALLEN & HEATH BRENELLO  
 PROFESSIONAL AUDIO EQUIPMENT  
 MANUFACTURERS  
 DESEAN DEPT. 89 SHIP STREET, BRIMINGTON BMT 14E TEL 01273 21879  
 FACTORY, KERNICK INDUSTRIAL EST, PERHAM, CORNWALL TEL 01208 72070  
 DRAWING No A164 | Issue 1

TITLE  
**AHB MUTE PROCESSOR**

AHB MUTE SLAVE CARD CIRCUIT, PCB AGO187  
 USED ON AHE SIGMA I/O AND LOW COST MODULAR RANGE

G.M.R. 8/4/87