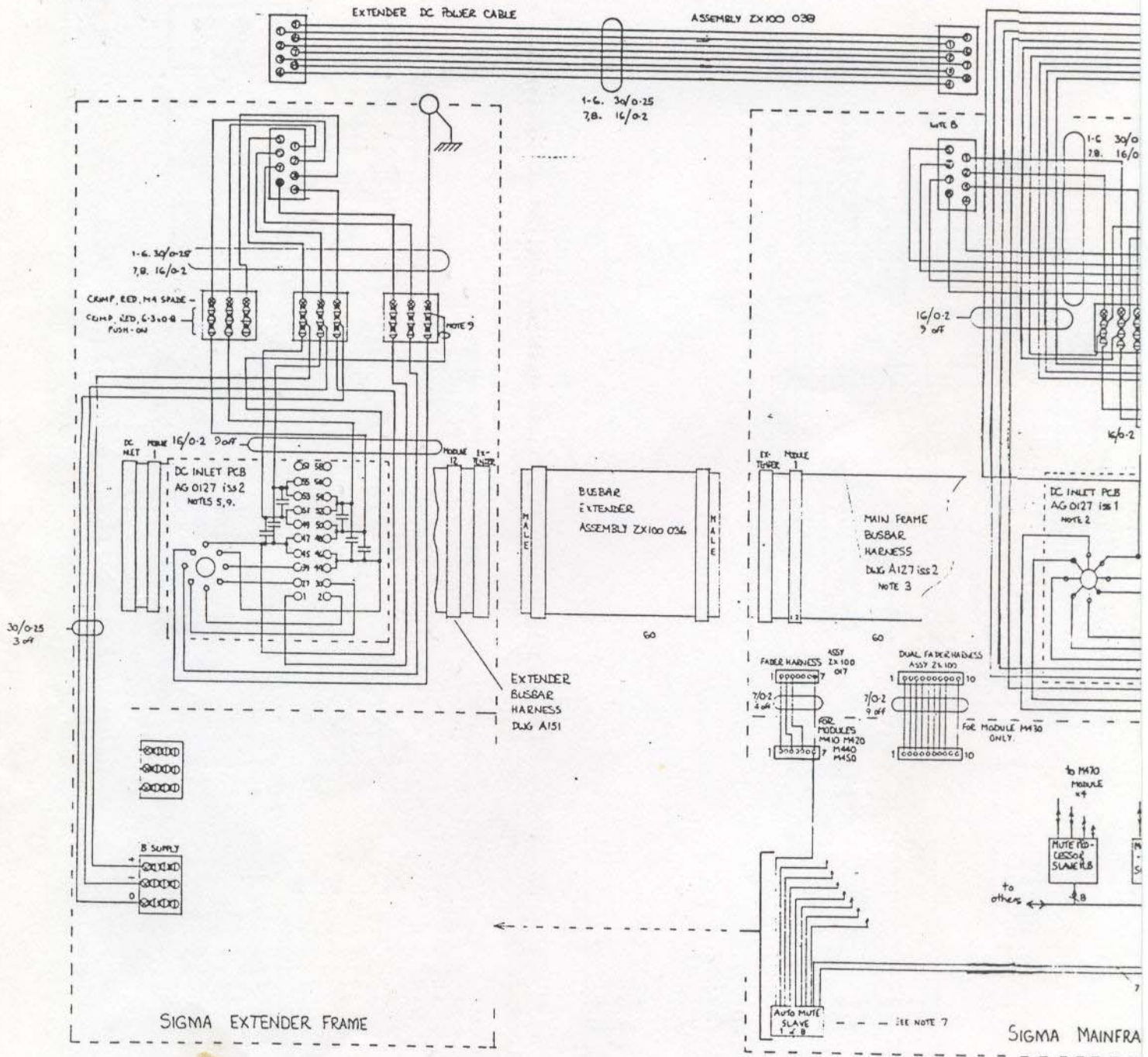
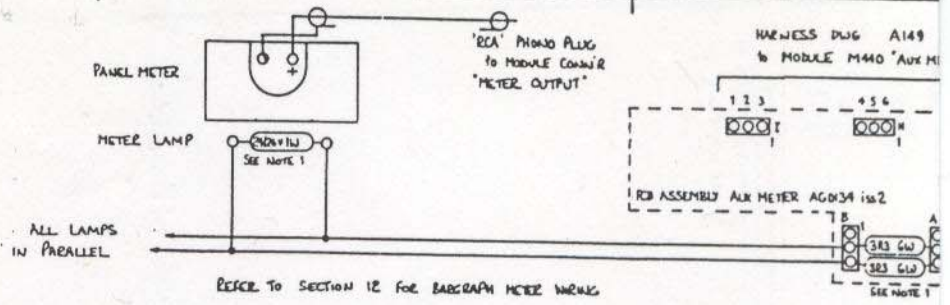


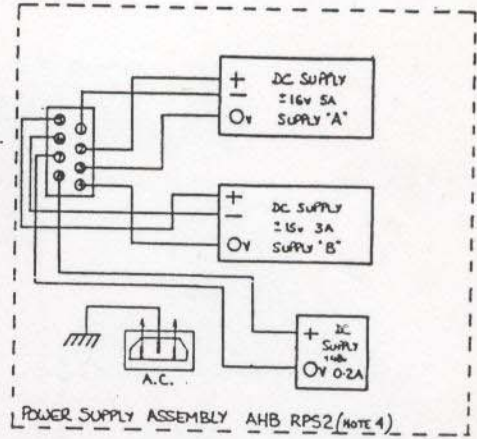
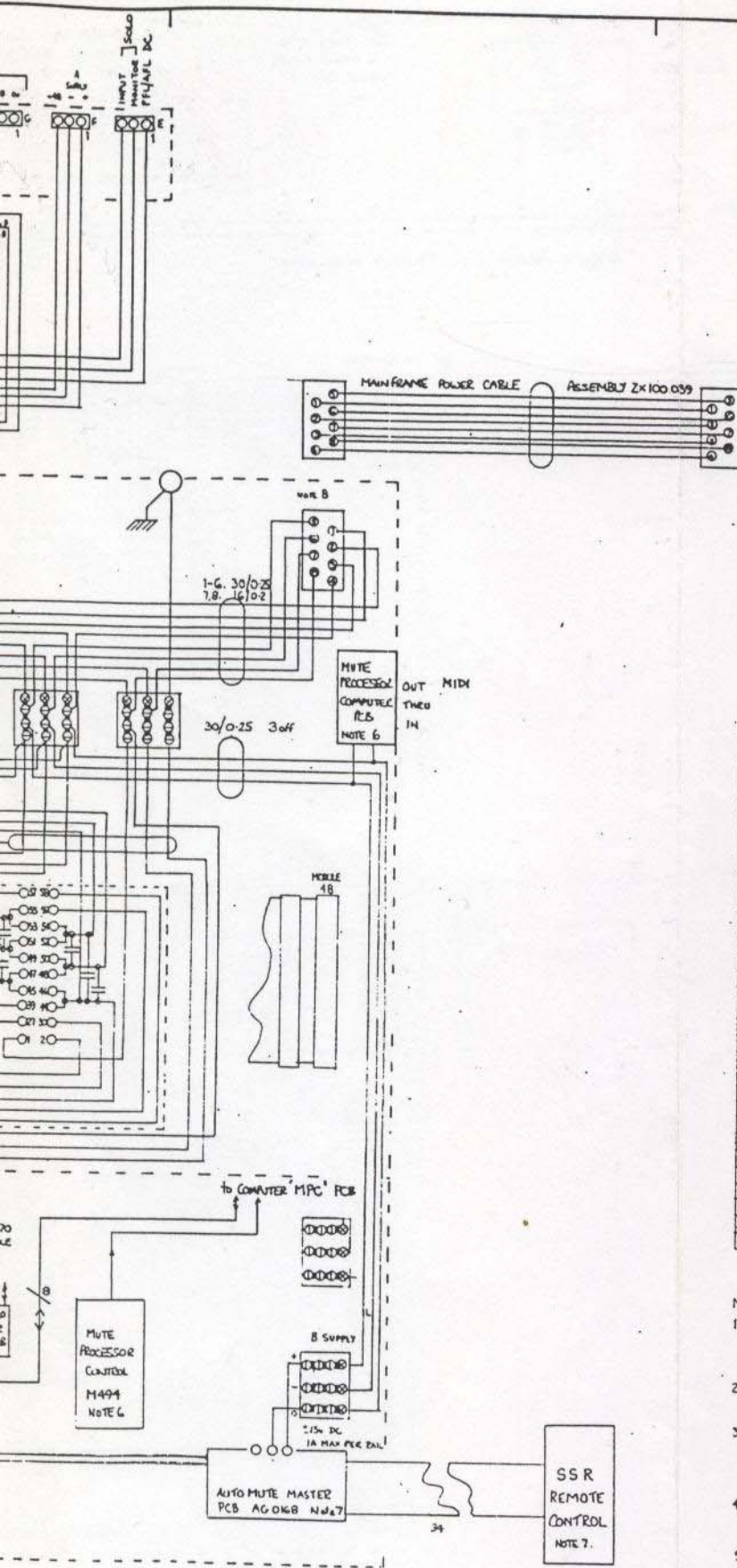
DRAWING NO.

HARNESS DWG A149
to MODULE M440 "AUX M"



REVISION	DATE	CHECKED	STANDARD NOTES	MATERIAL	TOLERANCES	FINISH
1	2008	TS	ALL DIMENSIONS IN mm DO NOT SCALE DRAWING THIRD ANGLE PROJECTION REMOVE ALL BURRS & SHARP EDGES		GENERAL ±0,25 mm HOLE CENTRES ±0,15 mm HOLE SIZES ±0,10 mm	
2	2008	TS				
3	2008	TS				
4	2008	TS				
5	2008	TS				
6	2008	TS				
7	2008	TS				
8	2008	TS				
9	2008	TS				
10	2008	TS				
11	2008	TS				
12	2008	TS				
13	2008	TS				
14	2008	TS				
15	2008	TS				
16	2008	TS				
17	2008	TS				
18	2008	TS				
19	2008	TS				
20	2008	TS				
21	2008	TS				
22	2008	TS				
23	2008	TS				
24	2008	TS				
25	2008	TS				
26	2008	TS				
27	2008	TS				
28	2008	TS				
29	2008	TS				
30	2008	TS				
31	2008	TS				
32	2008	TS				
33	2008	TS				
34	2008	TS				
35	2008	TS				
36	2008	TS				
37	2008	TS				
38	2008	TS				
39	2008	TS				
40	2008	TS				
41	2008	TS				
42	2008	TS				
43	2008	TS				
44	2008	TS				
45	2008	TS				
46	2008	TS				
47	2008	TS				
48	2008	TS				
49	2008	TS				
50	2008	TS				
51	2008	TS				
52	2008	TS				
53	2008	TS				
54	2008	TS				
55	2008	TS				
56	2008	TS				
57	2008	TS				
58	2008	TS				
59	2008	TS				
60	2008	TS				
61	2008	TS				
62	2008	TS				
63	2008	TS				
64	2008	TS				
65	2008	TS				
66	2008	TS				
67	2008	TS				
68	2008	TS				
69	2008	TS				
70	2008	TS				
71	2008	TS				
72	2008	TS				
73	2008	TS				
74	2008	TS				
75	2008	TS				
76	2008	TS				
77	2008	TS				
78	2008	TS				
79	2008	TS				
80	2008	TS				
81	2008	TS				
82	2008	TS				
83	2008	TS				
84	2008	TS				
85	2008	TS				
86	2008	TS				
87	2008	TS				
88	2008	TS				
89	2008	TS				
90	2008	TS				
91	2008	TS				
92	2008	TS				
93	2008	TS				
94	2008	TS				
95	2008	TS				
96	2008	TS				
97	2008	TS				
98	2008	TS				
99	2008	TS				
100	2008	TS				

UNLESS STATED OTHERWISE



BUSBAR PIN-OUT					
FUNCTION	TERMINAL	TERMINAL	TERMINAL	FUNCTION	TERMINAL
INPUT S0LD	ENABLE	59	60	MONITOR S0LD	ENABLE
-	-	57	58	-	-
-	DC	-	-	-	DC
B SUPPLY	-15V	55	56	PFL AFL	DC CONTROL
-	-15V	53	54	A SUPPLY	-15V
-	+15V	51	52	-	-16V
-	+15V	49	50	-	+16V
-	0V	47	48	-	-16V
AFL MIX	R	45	46	-	0V
-	-	43	44	-	0V
AFL MIX	L	41	42	PFL MIX	R
-	0V	39	40	PFL MIX	L
AUX MIX	-	37	38	AUX MIX	-
-	-	35	36	-	1
-	-	33	34	-	5
-	-	31	32	-	6
RIGHT MIX	-	29	30	-	0V
-	0V	27	28	LEFT MIX	-
TRACK MIX	14	25	26	TRACE MIX	1
-	2	23	24	-	13
-	4	21	22	-	15
-	16	19	20	-	3
-	18	17	18	-	5
-	6	15	16	-	17
-	8	13	14	-	19
-	20	11	12	-	7
-	22	9	10	-	9
-	10	7	8	-	21
-	12	5	6	-	23
-	24	3	4	-	11
MAINFRAME POWER 16V DC SUPPLY	1	2	3	-	0V

- NOTES
1. LAMP TYPE 1" x 1/4" FESTOON 1WATT RATING, 24-26V IS NORMALLY FITTED. VARIATION IN LAMP RATING WILL BE ACCOMPANIED BY VARIATION OF POWER RESISTOR SPECIFICATION.
 2. MAINFRAME DC INLET PCB IS SITUATED BENEATH MODULE PANEL M450. THESE ITEMS MAY BE SITUATED AT ANY POSITION IN THE MAINFRAME.
 3. ALL MAINFRAME MODULE POSITIONS ARE ELECTRICALLY IDENTICAL. THE BUSBAR ADDRESS HAS 49 POSITIONS. EXTENDER SOCKET NORMALLY LEFT FITTED. ENTIRE ADDRESS MAY BE MOVED ONE POSITION FOR EXTENDER SOCKET TO BECOME RIGHT FITTED.
 4. UNITS UP TO 544 M400C HAVE BU 0252L VERSION WHICH HAS 12 EXTERNAL HEADING. THE CAPACITY IS LIMITED TO 48 PINS. NOT SUITABLE FOR EXTENDED LARGE FRAMES. USE POW RPS2.
 5. EXTENDER DC INLET PCB NORMALLY LEFT FITTED. RIGHT FITTING IS POSSIBLE AND REQUIRES NO OTHER MODIFICATIONS.
 6. MUTE PROCESSOR HARDWARE IS STANDARD ON IN LINE M470 MODULE COUGLES. SSR HARDWARE OMITTED. M.P. SCHEMATICS ARE IN SECTION 12, ONE SLAVE PCB FOR EVERY 4 M470.
 7. AHB AUTO MUTE OPTION MAY BE FITTED IN MAIN AND EXTENDER FRAMES. ONE OFF MASTER PCB LOCATED AT GEAR END BY RH END ONE SLAVE PCB IS FRAMED FOR EVERY BLOCK OF EIGHT MODULE POSITIONS.
 8. DC CONNECTORS FOR MAIN & EXTENDER ARE IDENTICAL AND IN PARALLEL.
 9. FOR 'STANDARD' OPERATION OF EXTENDER FIT B UNITS TO PCB AND MOVE JUMPER SO 4A/4B CONNECTS TO DC BWAY PIN 3.

NOTES	UNIT TITLE	AHB SIGMA SERIES
	DRAWING TITLE	FRAME INTERCONNECTIONS

AHB ALLEN & HEATH BRENNELL LTD.
 PROFESSIONAL AUDIO EQUIPMENT MANUFACTURERS
 DESIGN DEPT 68 SHIP STREET, BRIGHTON BN1 1AE Tel 0273 21878
 FACTORY KERNICK INDUSTRIAL EST, PENRYN, CORNWALL, Tel 03264 72070
 DRAWING NO. MBD 181 | ISSUE 6