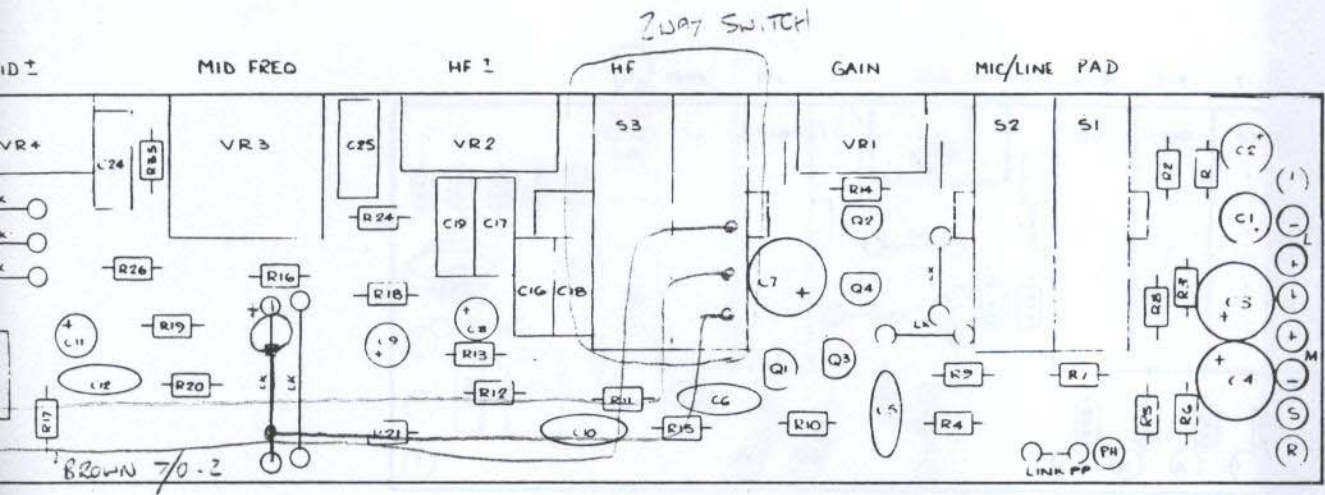
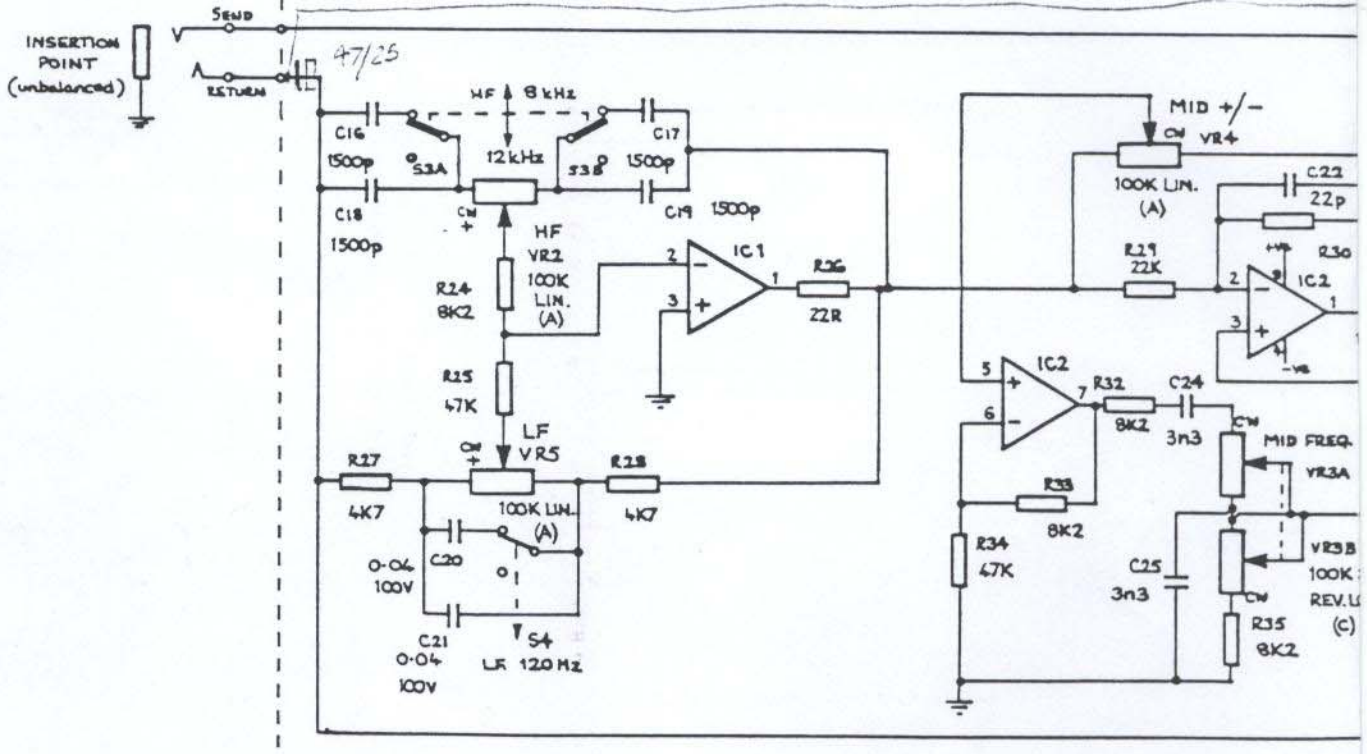
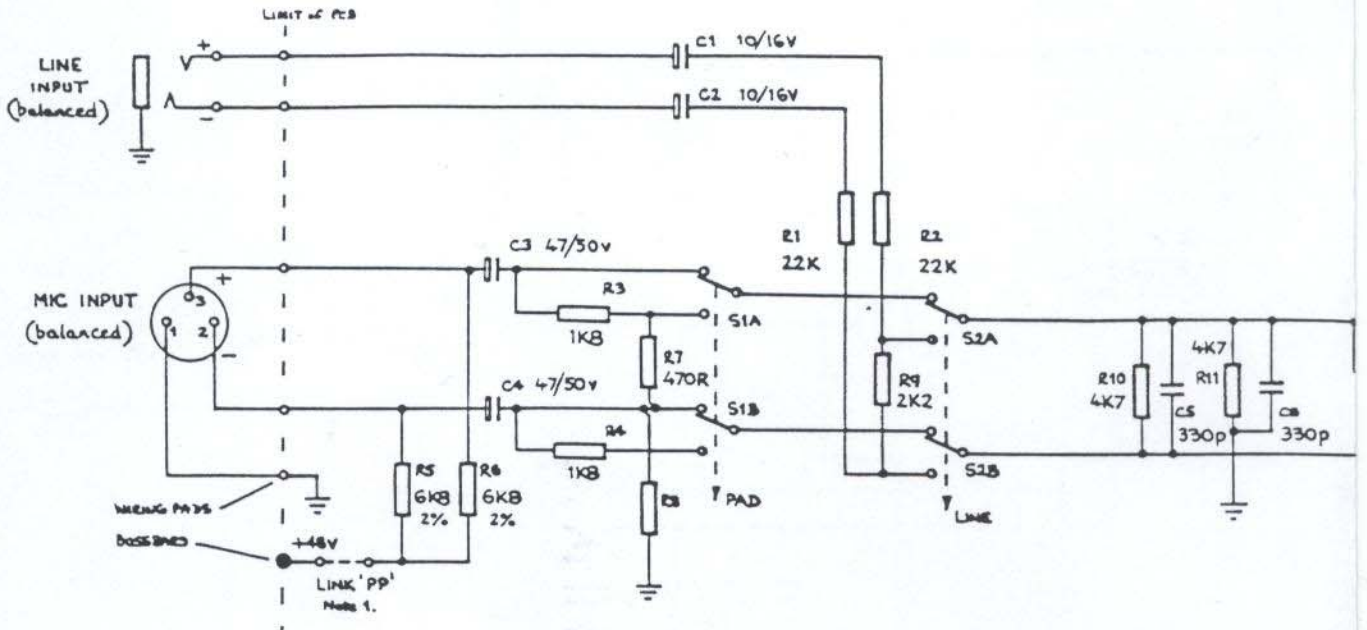


PCB ASSEMBLY DIAGRAM: INPUT PCB TYPE AG0060 ISSUE 1 NOV 19

INPUT PCB



AHB Ltd.



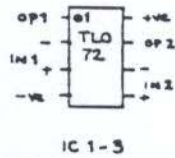
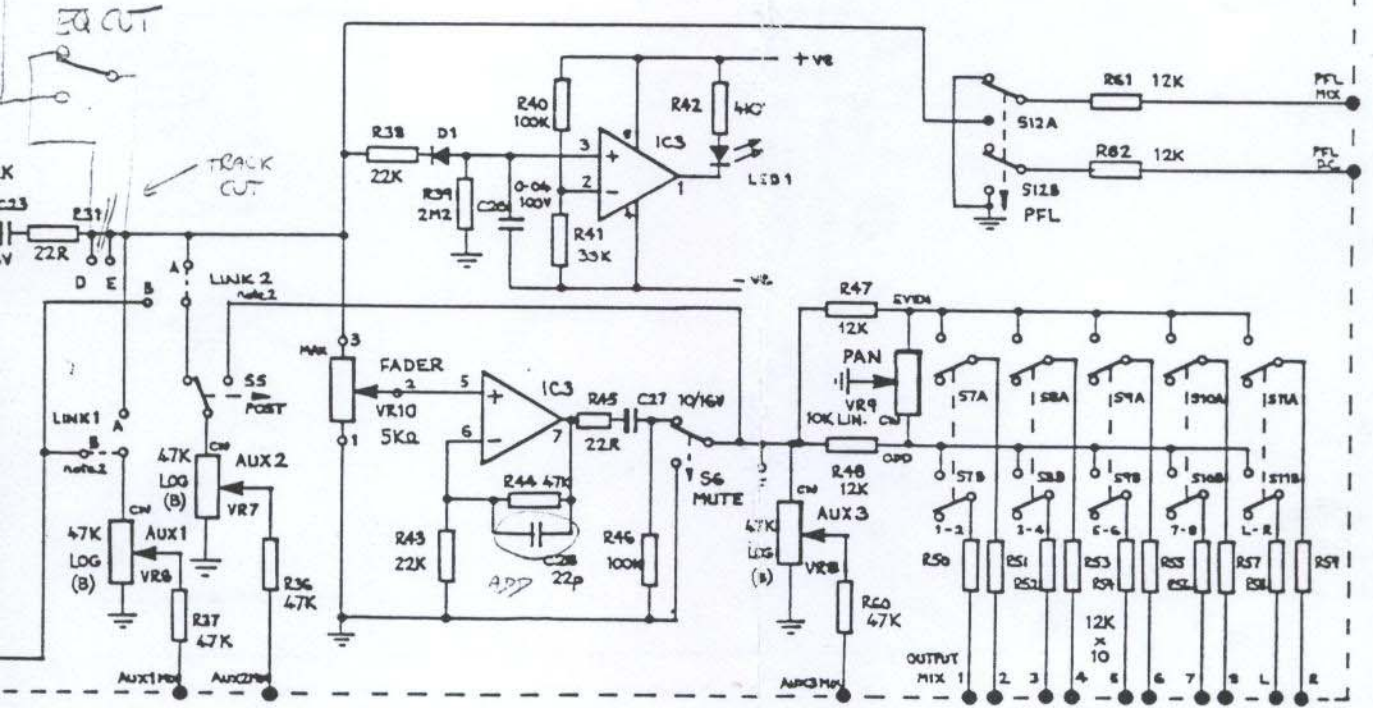
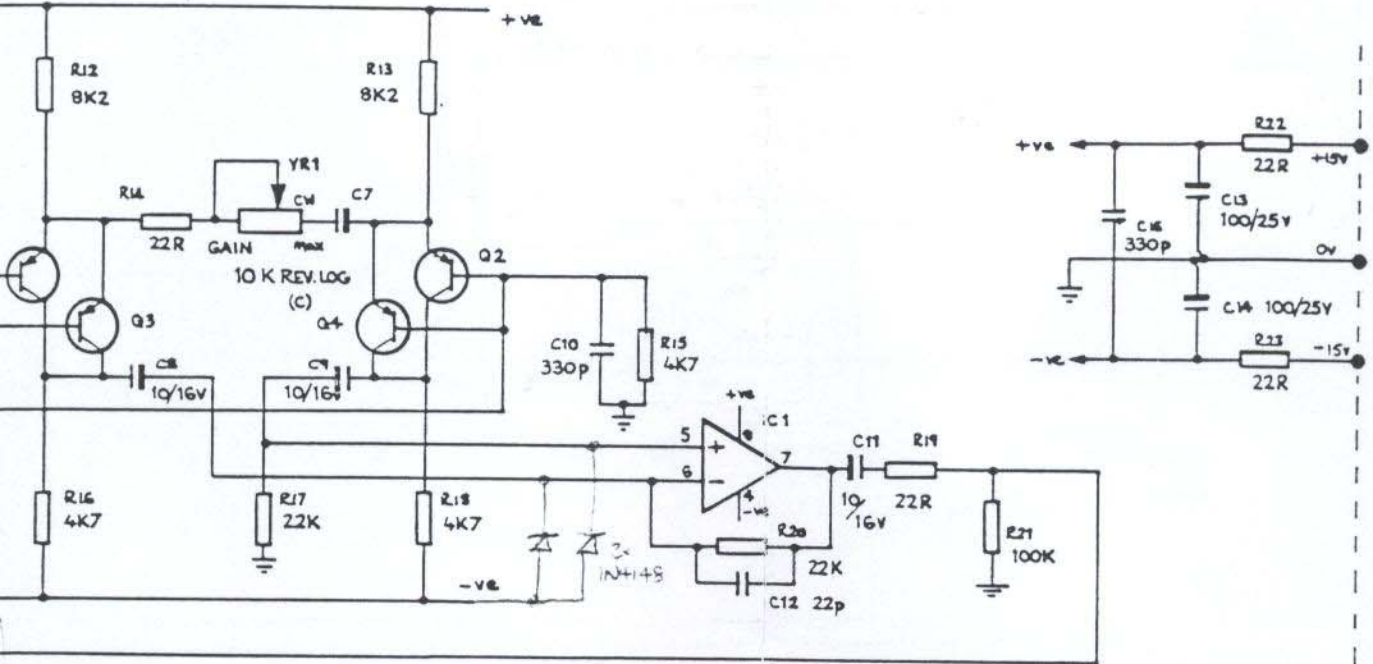
- NOTES: 1 Link 'PP' is fitted at time of manufacture and may be removed by cutting to disconnect +48volt phantom power from the mic in
- 2 Link 1 is fitted at time of manufacture in position A (AUX1 POST-EQ) and may be changed by soldering to position B (AUX1 PRE-EQ); Link 2 position A (AUX2 POST-EQ) to position B (AUX2 PRE-EQ)
- 3 Switches are shown in the OUT position.
- 4 R8, C28 not fitted.
- 5 Resistors Y+W 5% unless specified.

© ALLEN & HEATH BRENELL LTD. 1982

No.	DESCRIPTION	CHKD	APPD	DATE
1	CORRECTIONS			1.83.
REVISIONS				

ALLEN & HEATH SYSTEM 8

— = MK II



SYSTEM 8 : INPUT CHANNEL CIRCUIT
 DWG 277 1ss.2 PCB TYPE AG0060 1ss.1 NOV.1982

CIRCUIT DIAGRAM : INPUT PCB AG0060 1ss.1.

DRAWN	TRACED	CHECKED	APPROVED	DATE	SCALE
R	R	R	R	12.82.	-

DRAWING No. 277. 1ss.2

TECHNICAL BULLETIN

AHB SYSTEM 8 and 21 SERIES PREAMPS

IMPROVEMENT TO RELIABILITY UNDER FAULT CONDITIONS

With a faulty microphone input connector that earths pin 2 or pin 3 of the channel input and when the +48 volt phantom power is on, failure of the IC1 on the input pcb can occur at the moment the connector is inserted. Experience is that only a small percentage of channels will fail, and the following makes the preamp proof against this failure condition.

Parts required: 2 off general purpose silicon diode IN4148 or equivalent.

Method: refer to the information sheet attached.

Open the unit and on input pcbs locate the input pins to IC1 TLO72CP

System 8

21 Series

pins 5+6

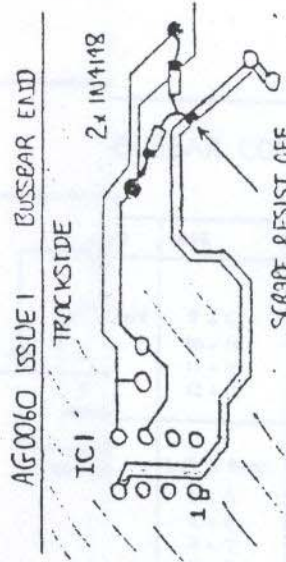
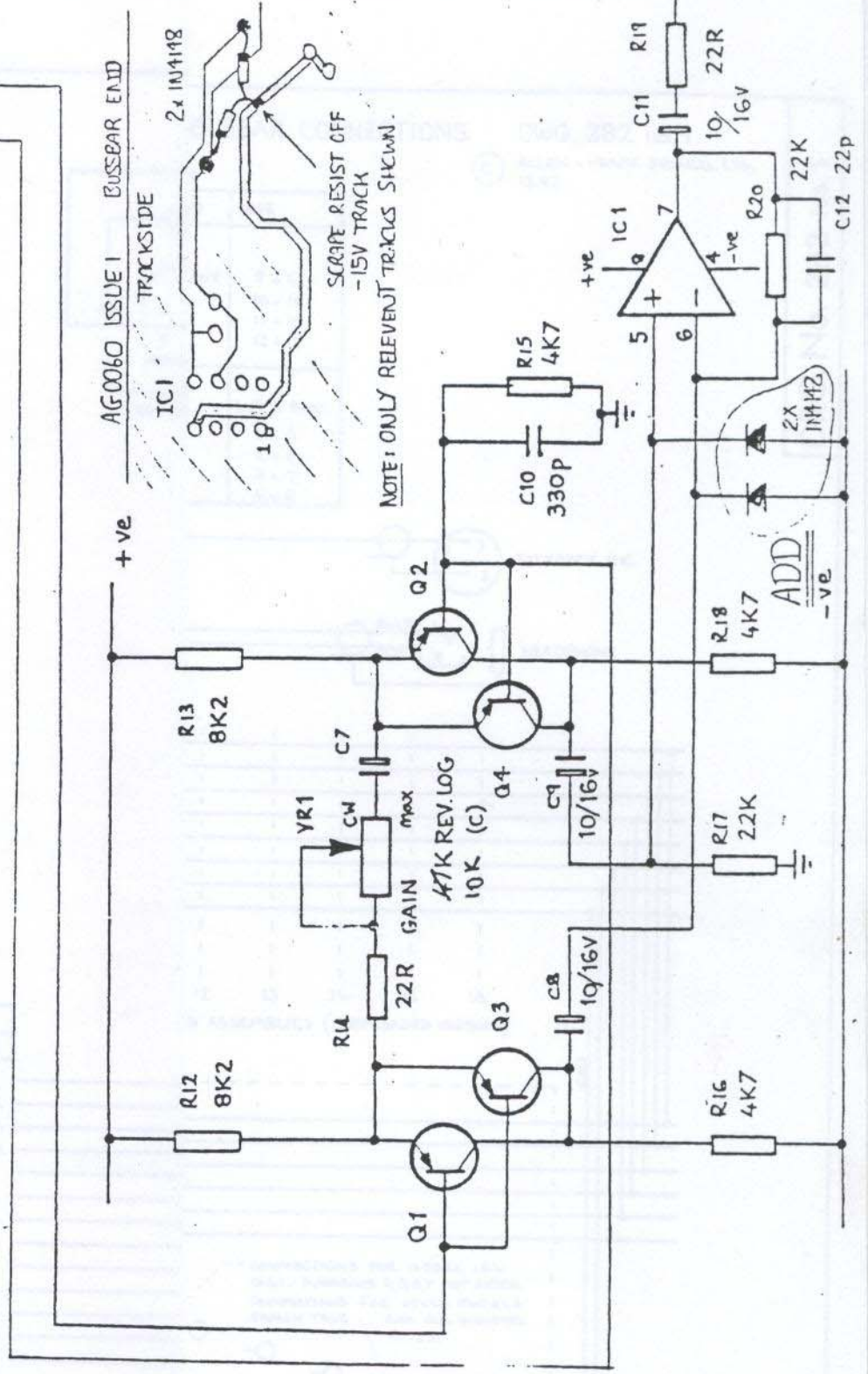
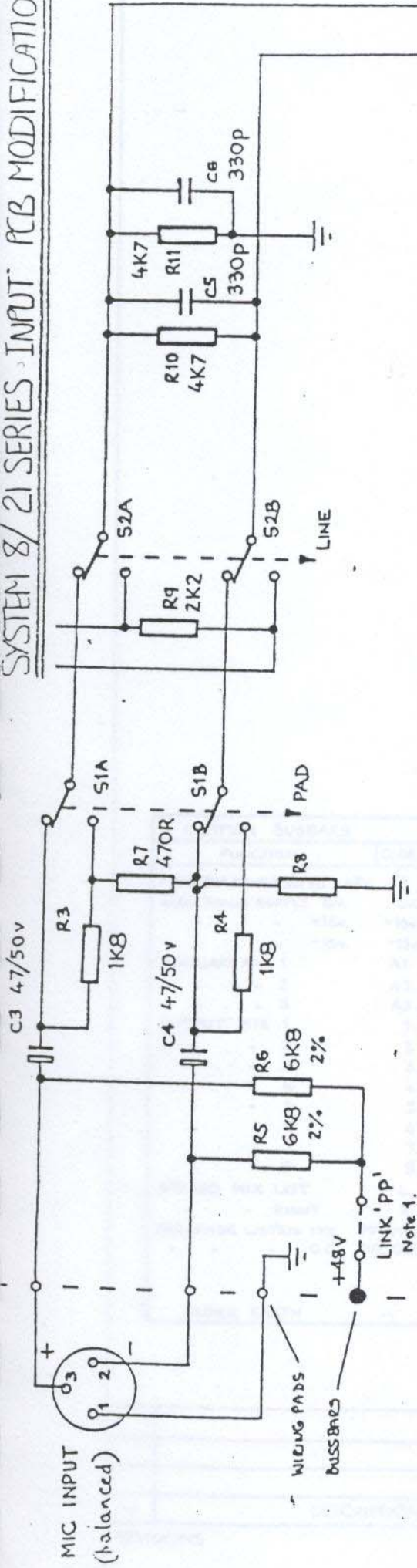
pins 2+3

Add one diode between each input pin and the negative 15 volt supply as shown on the diagram. Observe the diode polarity, the end with the stripe should connect to the IC input pins.

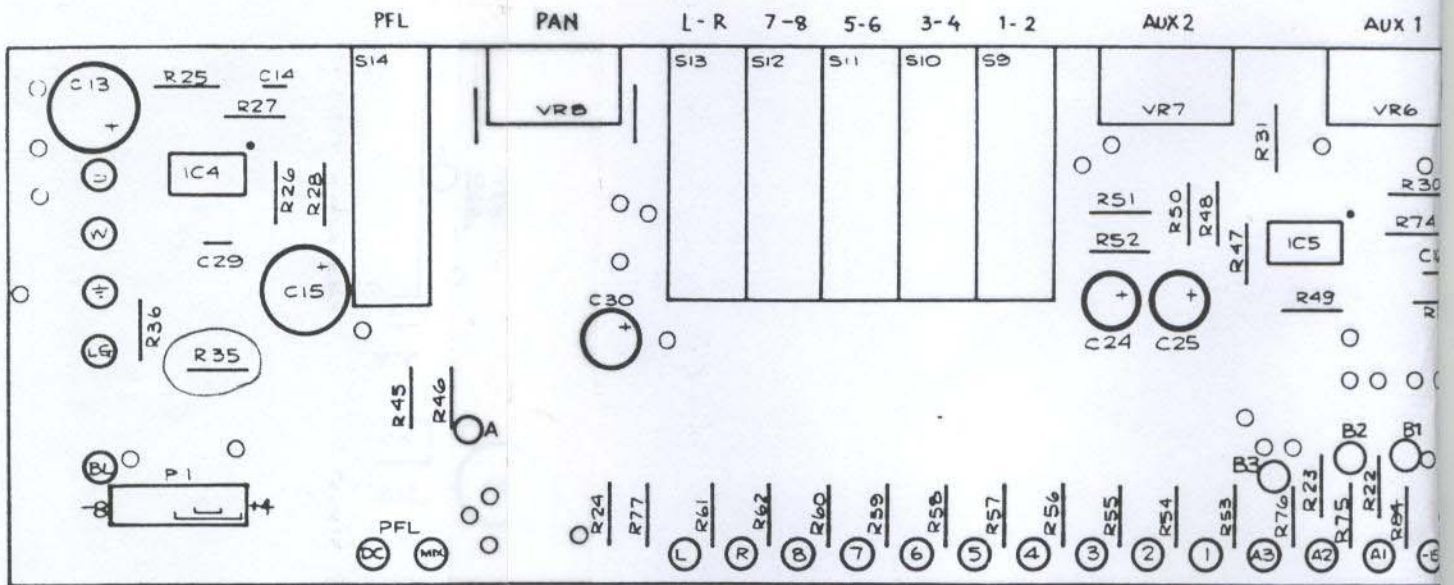
This revision applies to all production to date and is factory fitted on System 8 units after serial number 1100 and Series 21 units after serial number 0436.

AHB R&D
2nd June 1983

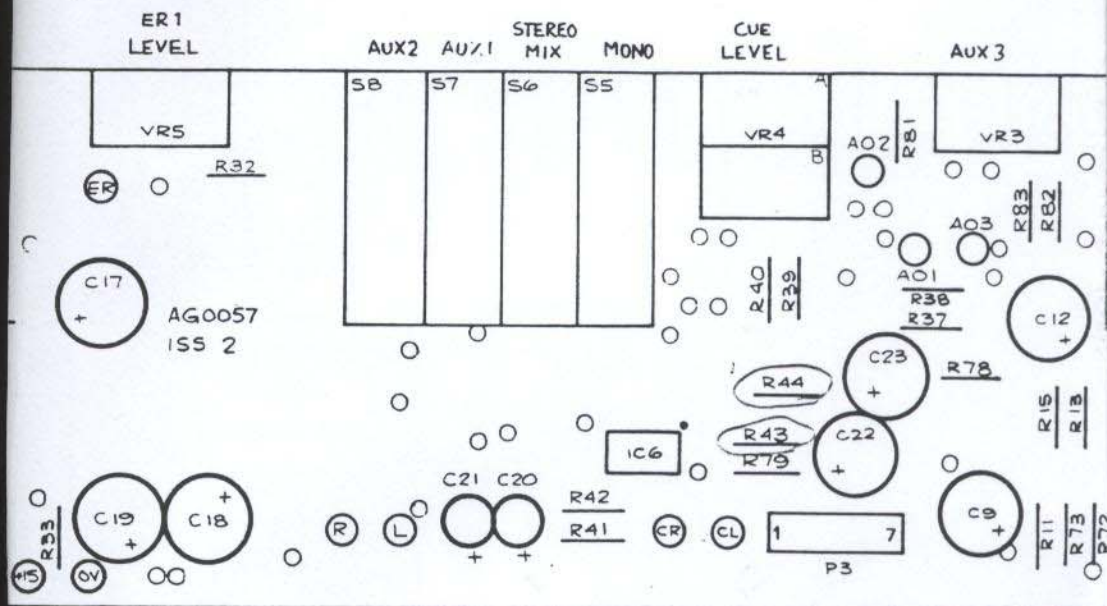
SYSTEM 8/21 SERIES INPUT PCB MODIFICATION



MASTER LEFT PCB



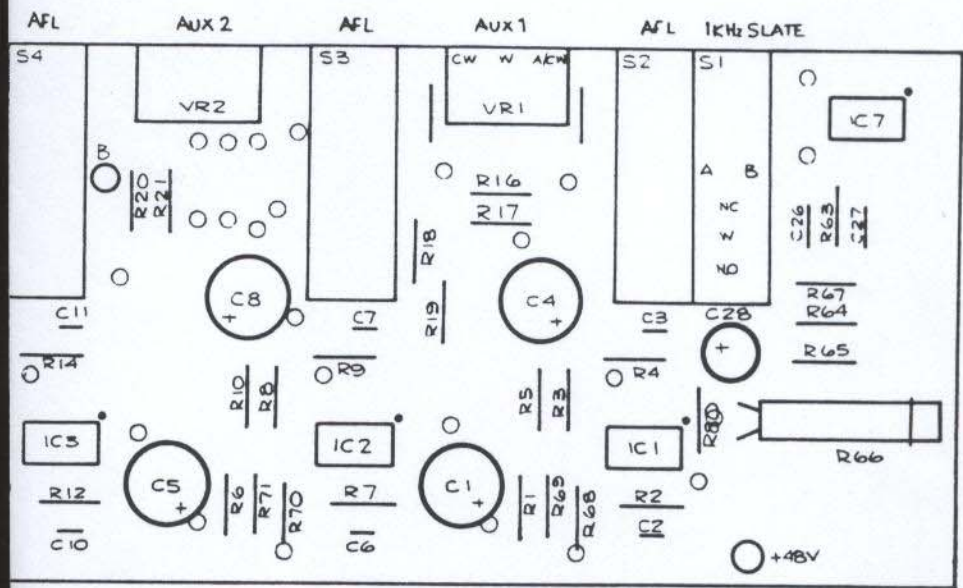
PCB ASSEMBLY DIAGRAM:

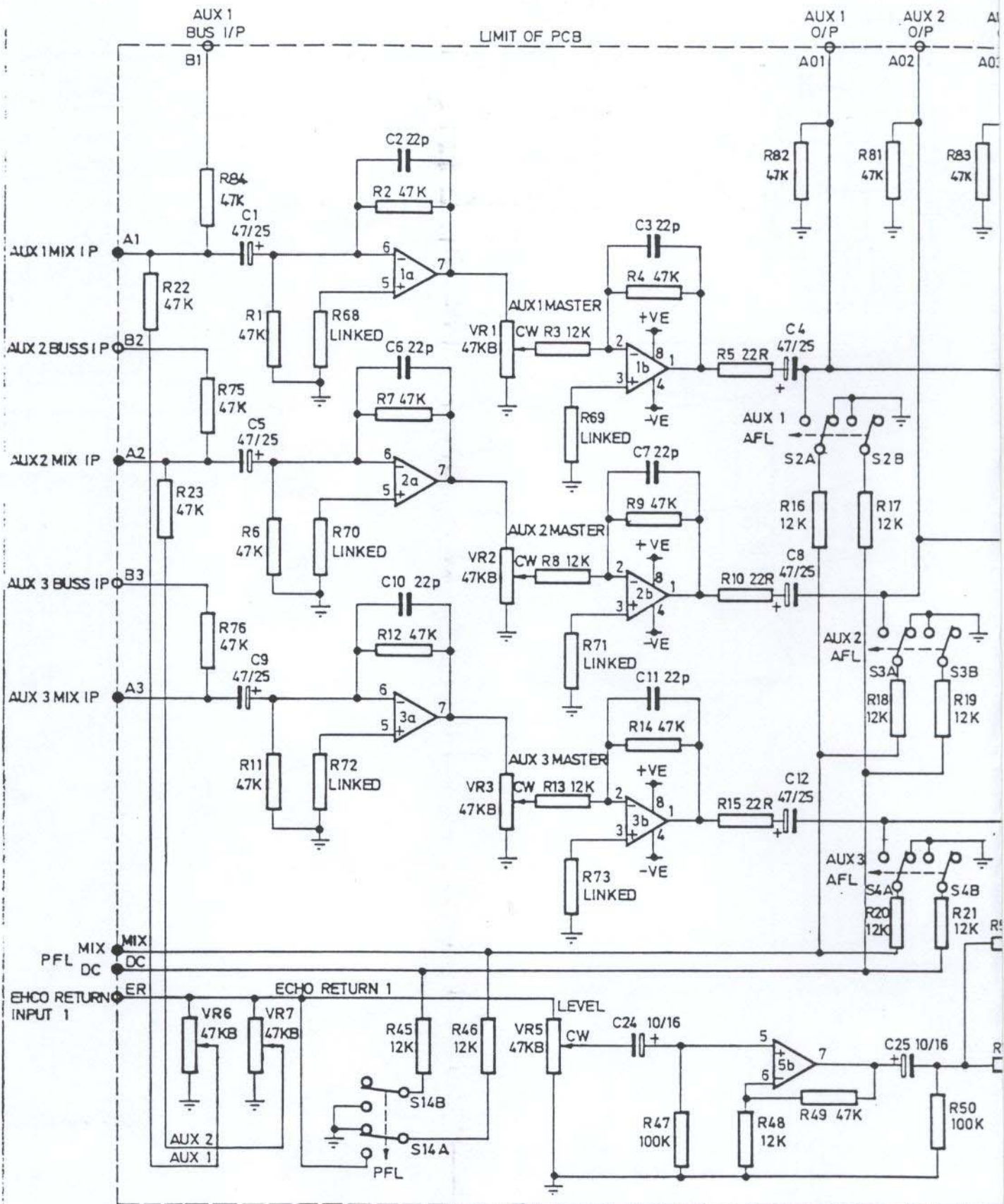


MASTER LEFT PCB TYPE AG0057 ISSUE 2

NOV. 1982

AHB LTD.





© 1982

● WIRING PAD

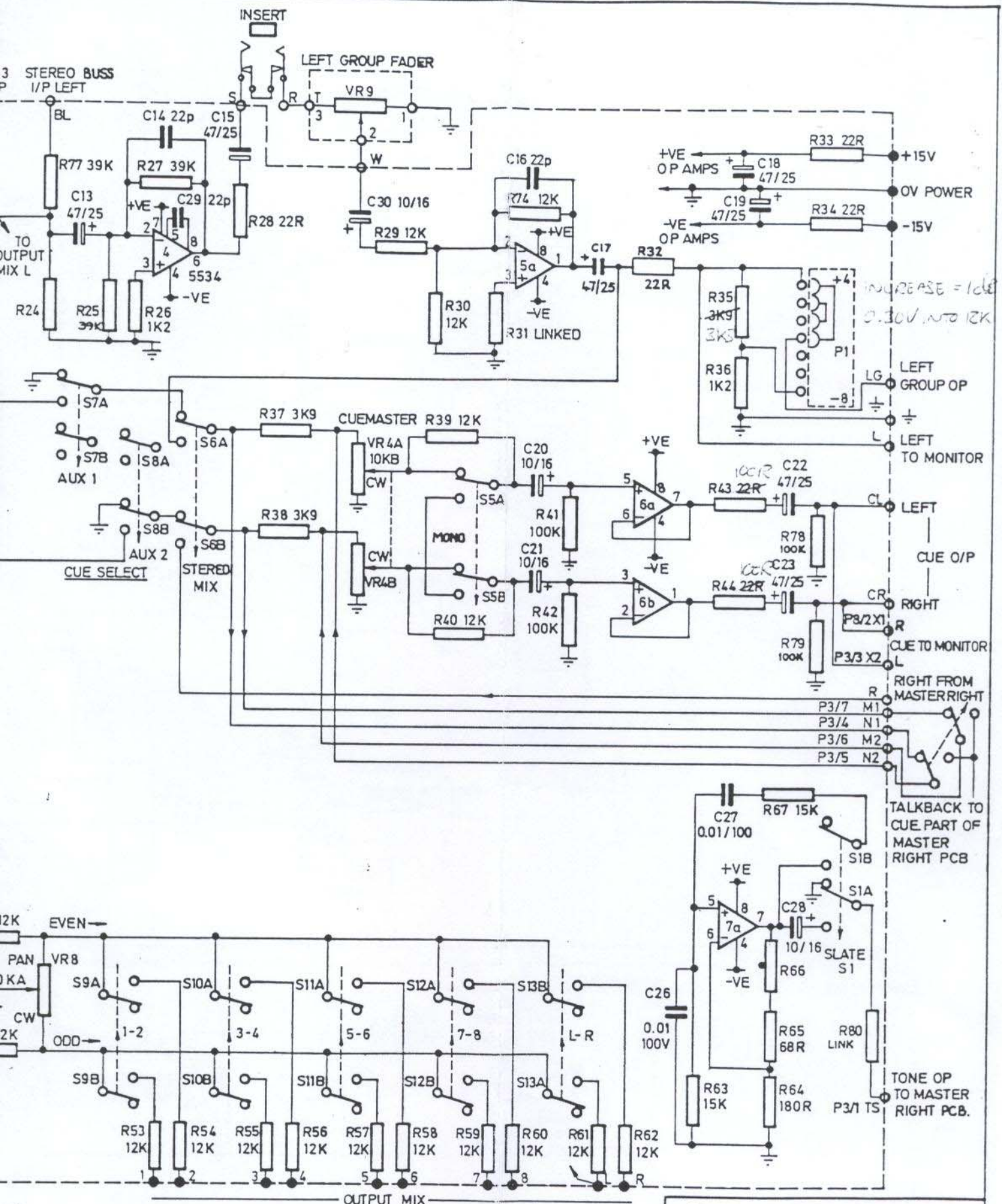
● BUS BAR

Switches shown in OUT position.
Resistors 1/4W 5% unless specified,
P1 fitted +4 position (a manuf'c).

ICs 1,2,3,5,6,7. TL072CP.

IC 4 NE5534.

Capacitors C3,7,11,29 not fitted.
Resistor R24 not fitted.

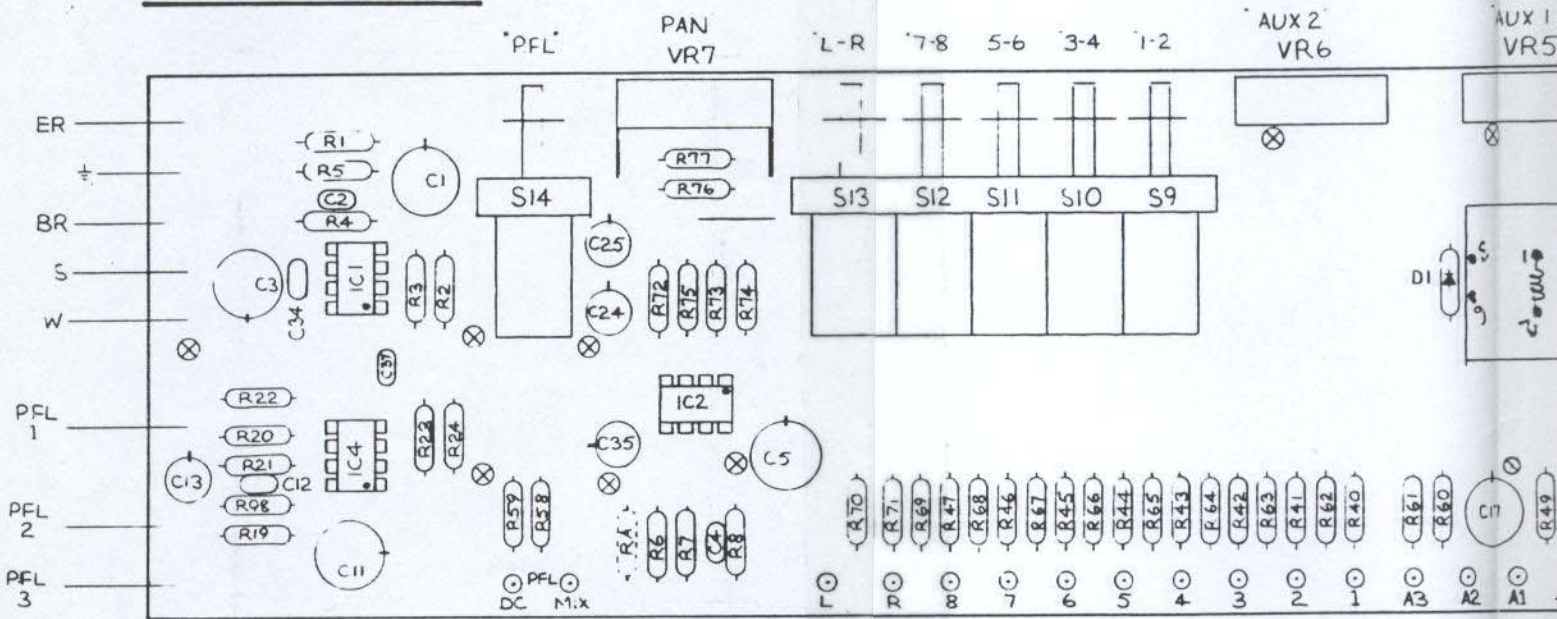


ALLEN AND HEATH BRENNELL LTD			
NEXT:	R	C	FINISH
	85	31	
DRN	RAG	WDS	DATE 1-11-82
CHKD			ISSUE 1.
TITLE SYSTEM 8 PCB TYPE MASTER			
LEFT. AG0057 Iss 2.			
SCALE	ORG N° 279 iss. 1		

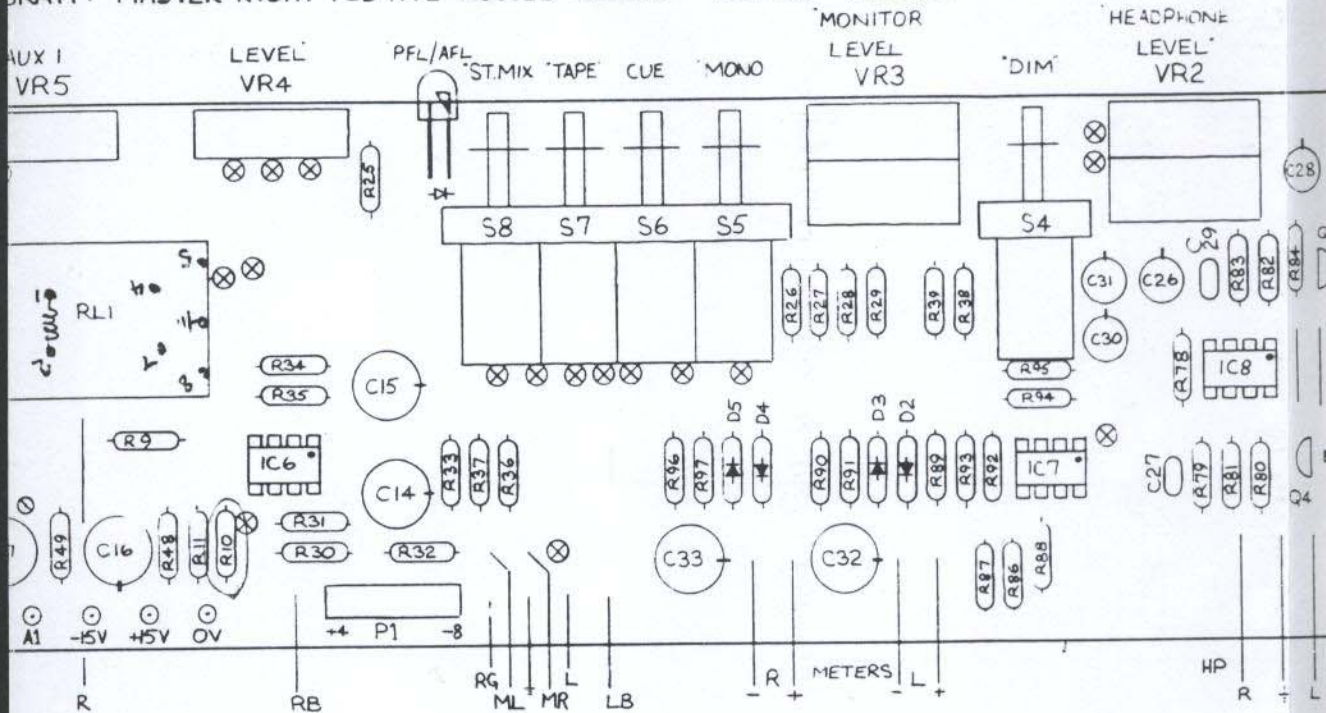
= MKIT

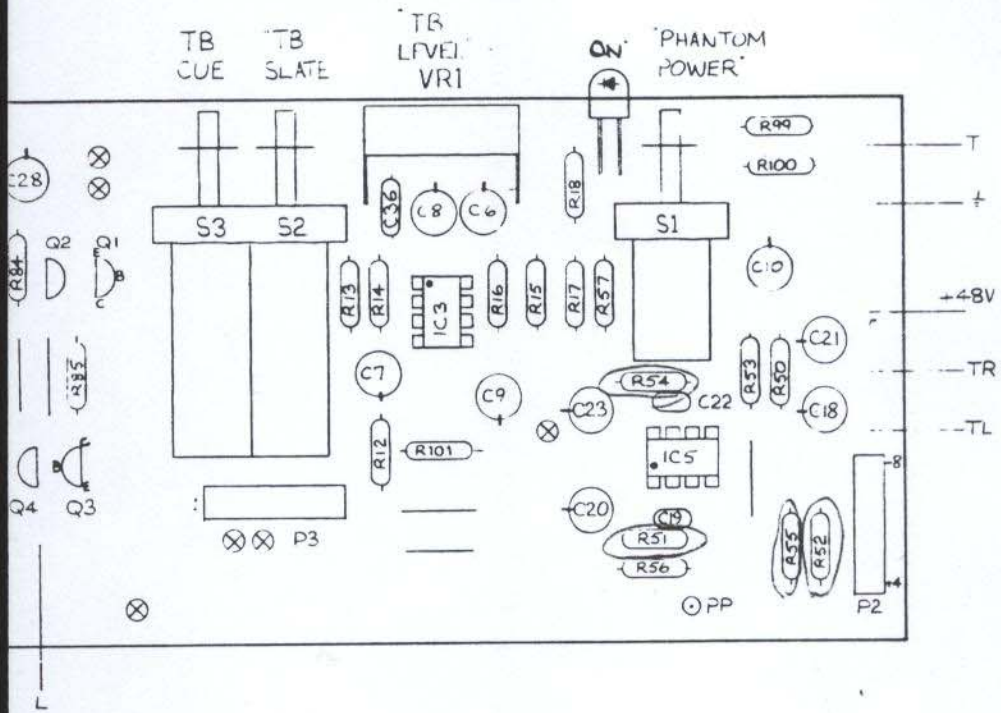
MASTER RIGHT PCB

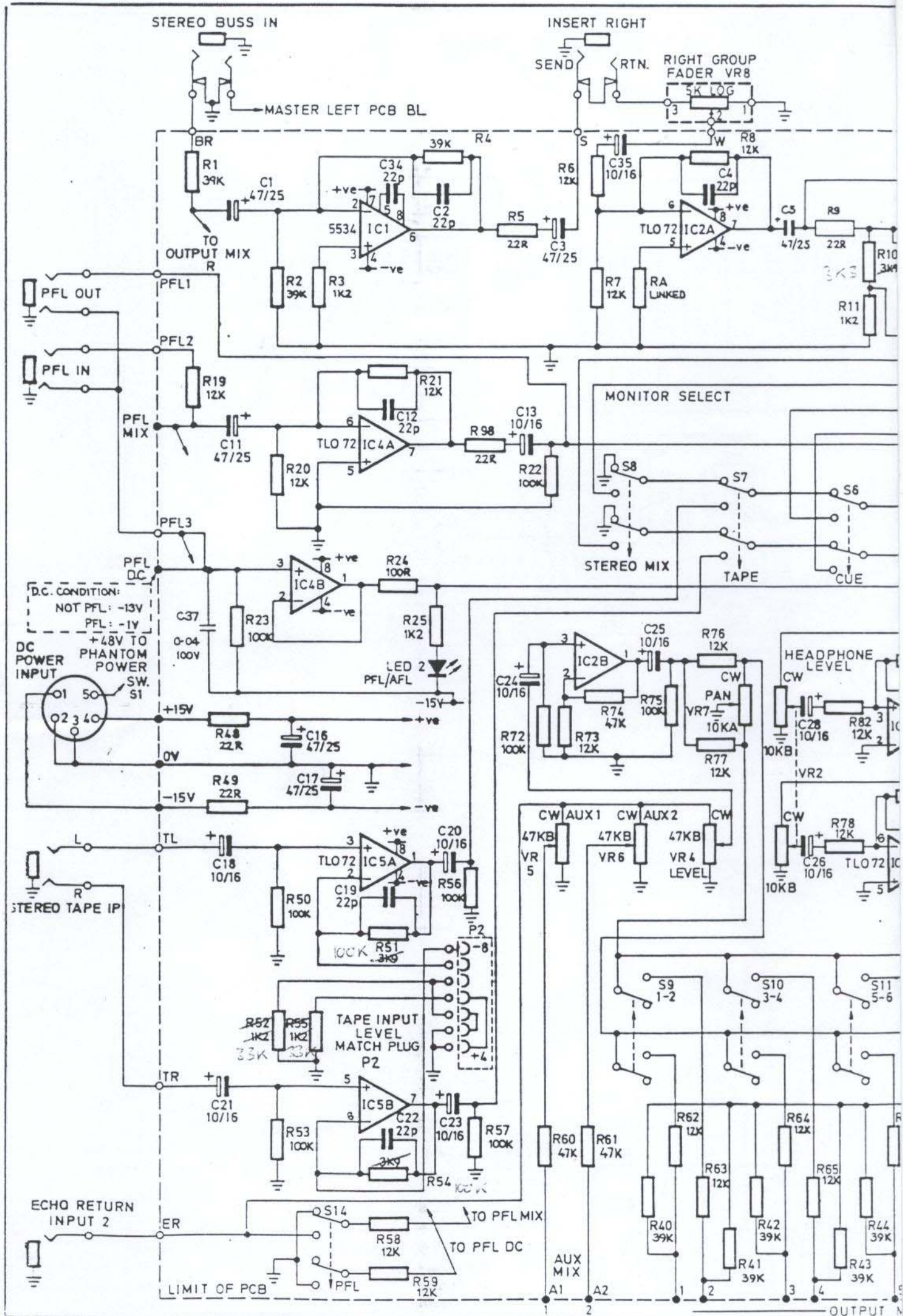
PCB ASSEMBLY DIAGRAM



GRAM: MASTER RIGHT PCBTYPE AG0058 ISSUE 2 NOV. 1982 AHB.LTD.







STEREO BUSS IN

INSERT RIGHT

MASTER LEFT PCB BL

RIGHT GROUP FADER VR8

TO OUTPUT MIX

TL072 IC2A

PFL OUT

PFL1

PFL IN

PFL2

PFL MIX

PFL3

PFL DC

D.C. CONDITION:
NOT PFL: -13V
PFL: -1V
+48V TO PHANTOM POWER

DC POWER INPUT

SW. S1

O1 50

O2 3 40

+15V

0V

-15V

STEREO TAPE IP

L

R

TL

TR

ECHO RETURN INPUT 2

ER

LIMIT OF PCB

MONITOR SELECT

STEREO MIX

TAPE

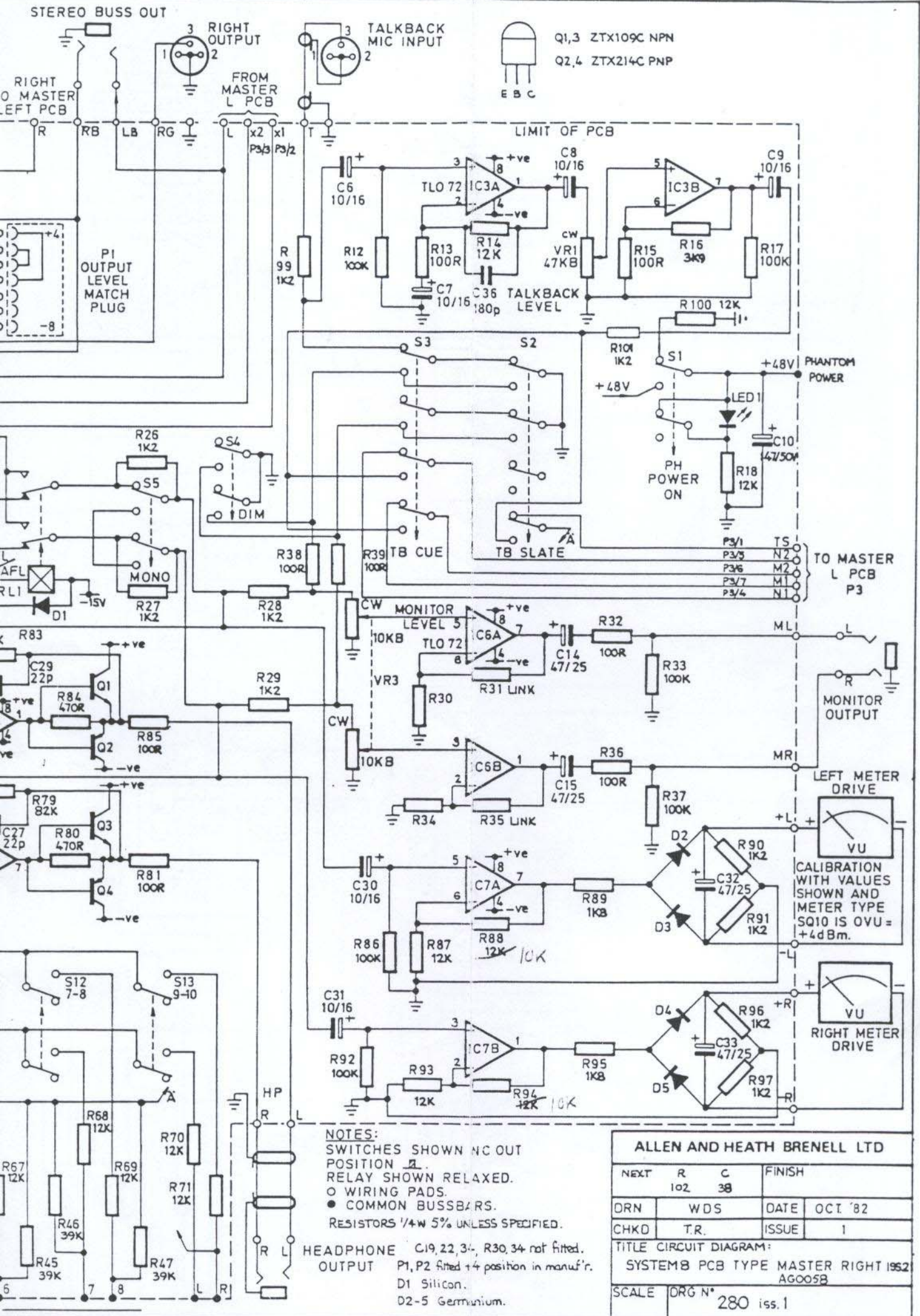
CUE

HEADPHONE LEVEL

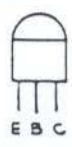
TAPE INPUT LEVEL MATCH PLUG P2

AUX MIX

OUTPUT



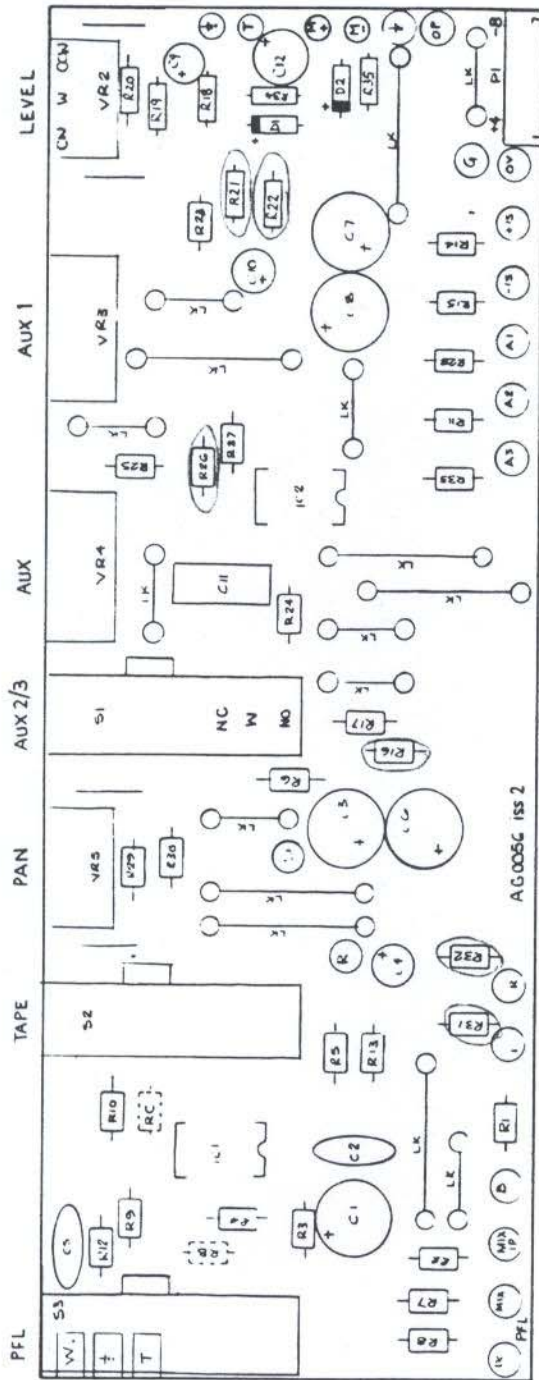
Q1,3 ZTX109C NPN
Q2,4 ZTX214C PNP



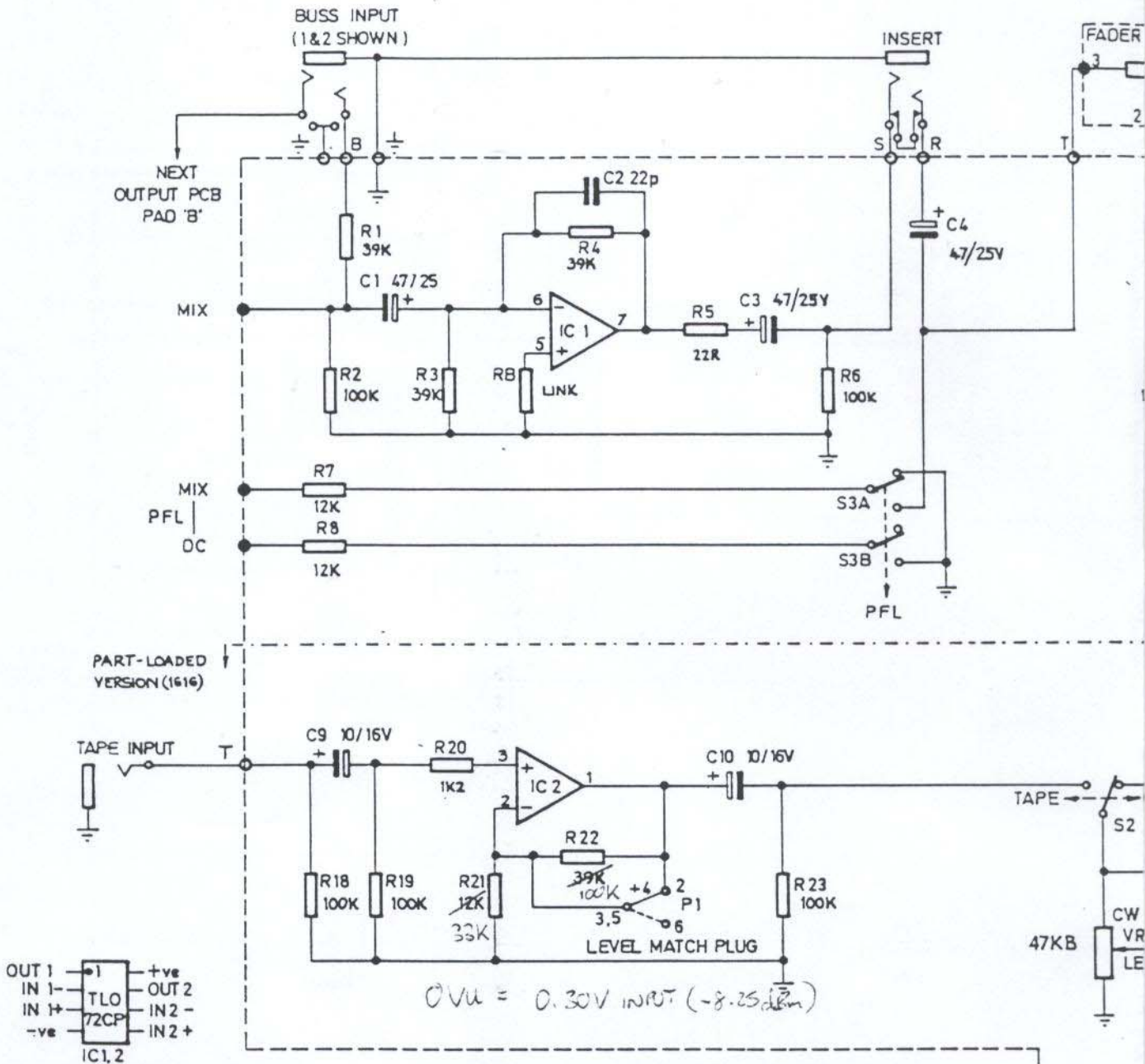
NOTES:
SWITCHES SHOWN NC OUT POSITION \overline{A} .
RELAY SHOWN RELAXED.
O WIRING PADS.
● COMMON BUSSBARS.
RESISTORS 1/4W 5% UNLESS SPECIFIED.

HEADPHONE OUTPUT C19, 22, 34, R30, 34 not fitted.
P1, P2 fitted +4 position in manuf'r.
D1 Silicon.
D2-5 Germanium.

ALLEN AND HEATH BRENELL LTD			
NEXT	R 102	C 38	FINISH
DRN	WDS	DATE	OCT '82
CHKD	T.R.	ISSUE	1
TITLE CIRCUIT DIAGRAM: SYSTEM8 PCB TYPE MASTER RIGHT 1952 AG005B			
SCALE	DRG N°	280 iss.1	



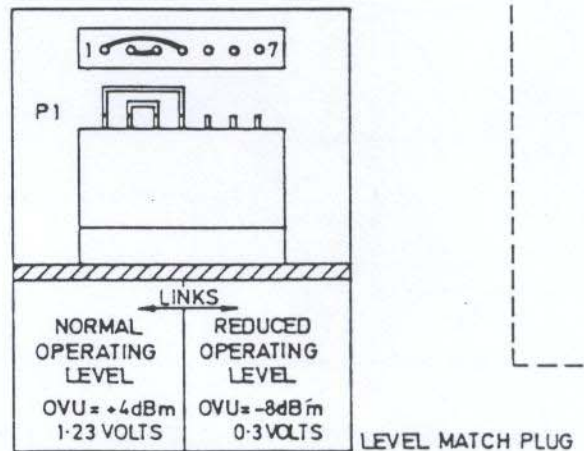
PCB ASSEMBLY DIAGRAM: OUTPUT PCB TYPE AG005G ISSUE 2 NOV 1992. AHB LTD.



NOTES:

- BUSS BAR
- WIRING PIN
- 1. SWITCHES SHOWN OUT
- 2. LEVEL MATCH PLUG 'P1' FITTED IN NORMAL POSITION AT TIME OF MANUFACTURE.
- 3. RESISTORS 1/4 WATT 5% UNLESS SPECIFIED.
- 4. CAPACITORS SHOWN MICROFARADS / VOLTS.
- 5. D1,2 GERMANIUM.
- 6. 16 MONITOR VERSION: COMPONENTS ABOVE DASH LINE NOT FITTED TO OUTPUT & MONITOR PCB ASSYS 9-16 INCL. OUTPUT 1 POINT 'G' WIRED TO MONITOR 9 POINT 'G' ETC.
- 7. C2 NOT FITTED.

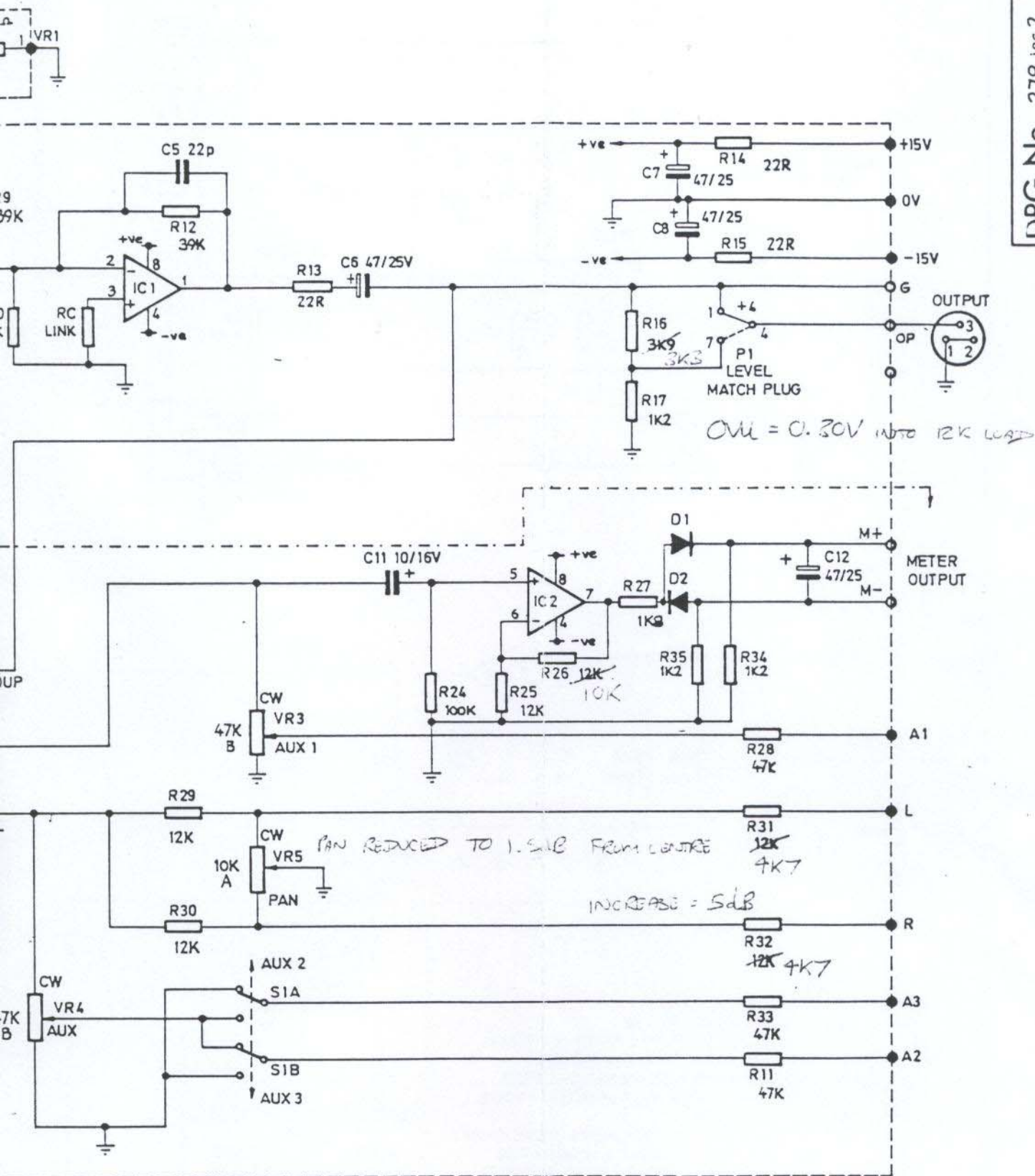
© 1982 ALLEN & HEATH BRENNELL LTD.



No.	DESCRIPTION	CHKD	APPD.	DATE
REVISIONS				

ALLEN & HEATH SYSTEM 8

— = MK II



ALLEN & HEATH: SYSTEM 8; OUTPUT PCB CCT.DETAIL. PCB TYPE AG0056 ISS 2. DWG: 278 ISS 1. NOV 1982.

CIRCUIT DETAIL; OUTPUT PCB
 TYPE AHB 82 OUTPUT
 AG0056 ISS.2.

DRAWN	TRACED	CHECKED	APPROVED	DATE	SCALE
R	RA.G. WDS	R	R	NOV 82	—
DRAWING No.			278 ISS.2.		

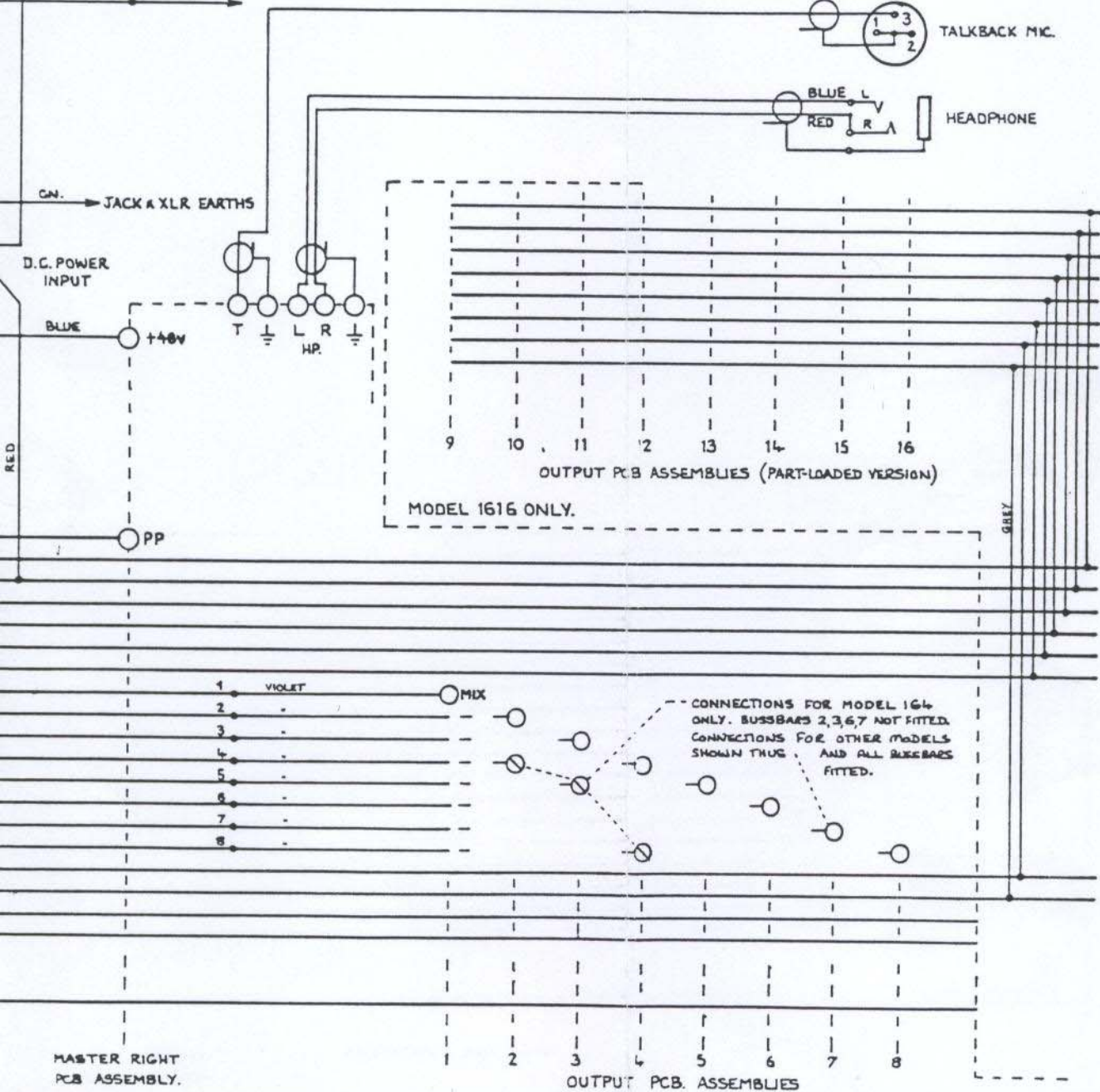
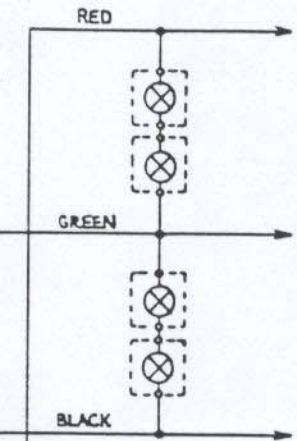
SYSTEM 8 : METERPOD BUSBAR CONNECTIONS

DWG. 282 iss. 1

© ALLEN & HEATH BREWELL LTD. 12.82.

DRG. No. 282 iss. 1

	MODELS		
	164	128 & 168	1616
+15v SUPPLY Meter lamps connected in series across supply	Left & Right 3 & 4	Left & Right 7 & 8	9 = 13 10 = 14 11 = 15 12 = 16
-15v SUPPLY Meter lamps connected in series across supply	1 = 2	1 = 2 3 = 4 5 = 6	Left & Right 1 = 5 2 = 6 3 = 7 4 = 8

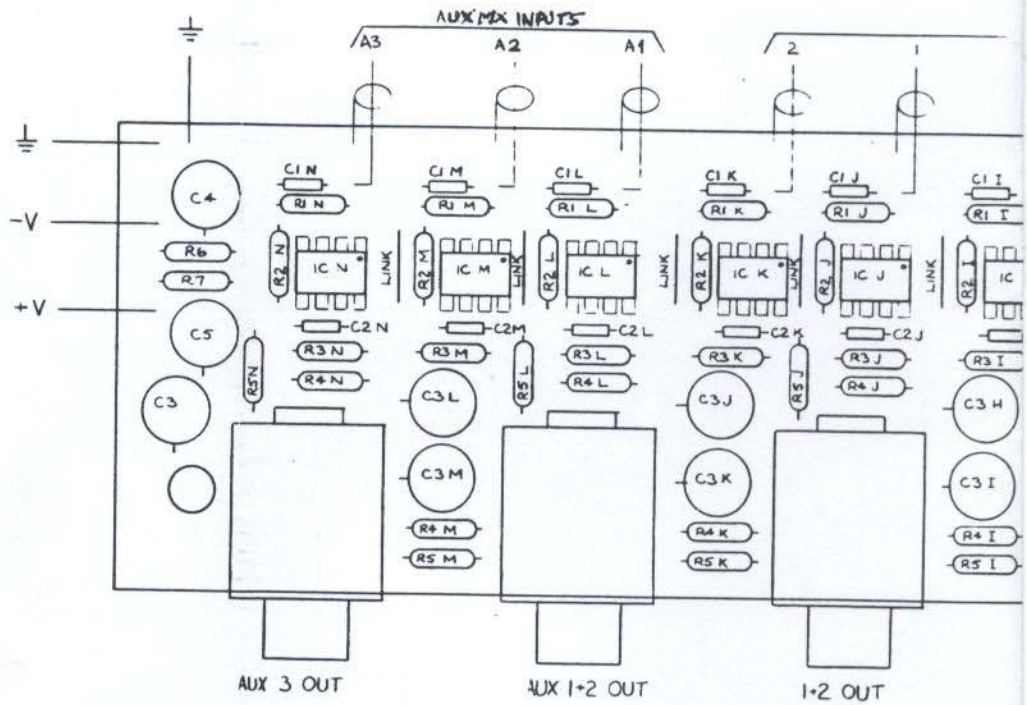


METERPOD & BUSBAR CONNECTIONS

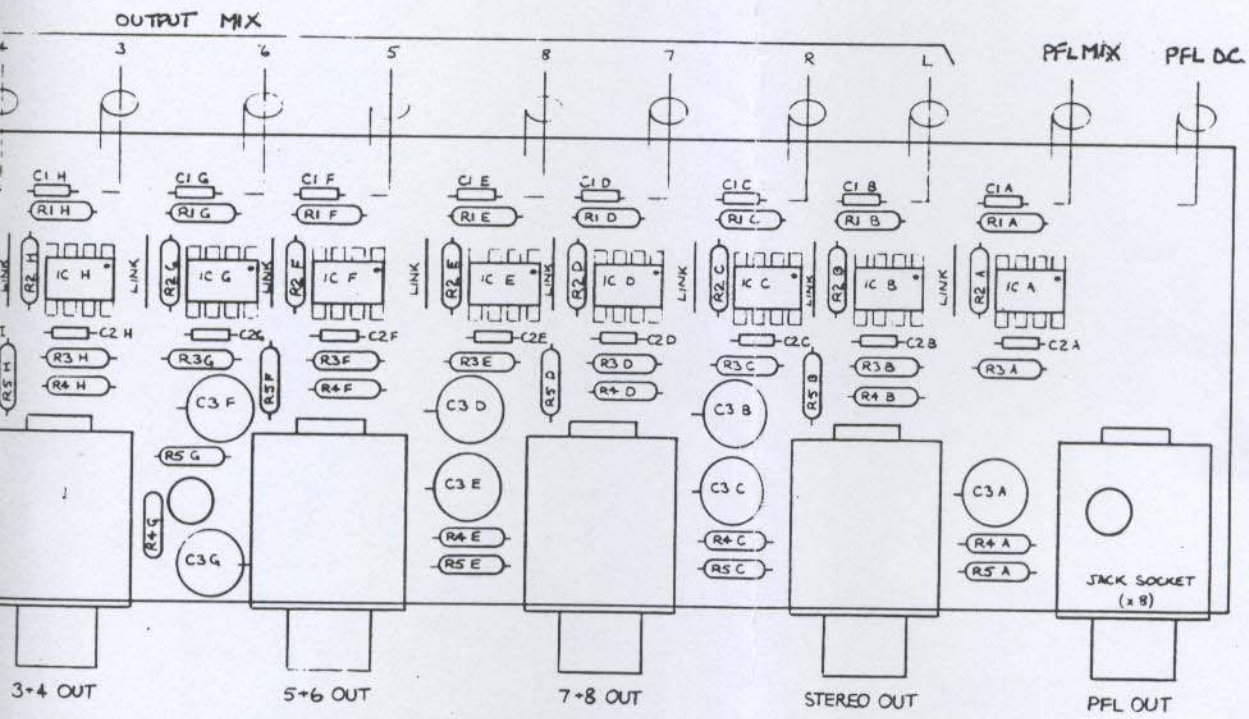
DRAWN	TRACED	CHECKED	APPROVED	DATE	SCALE
R		R	R	12.82.	

DRAWING No. 282 issue 1

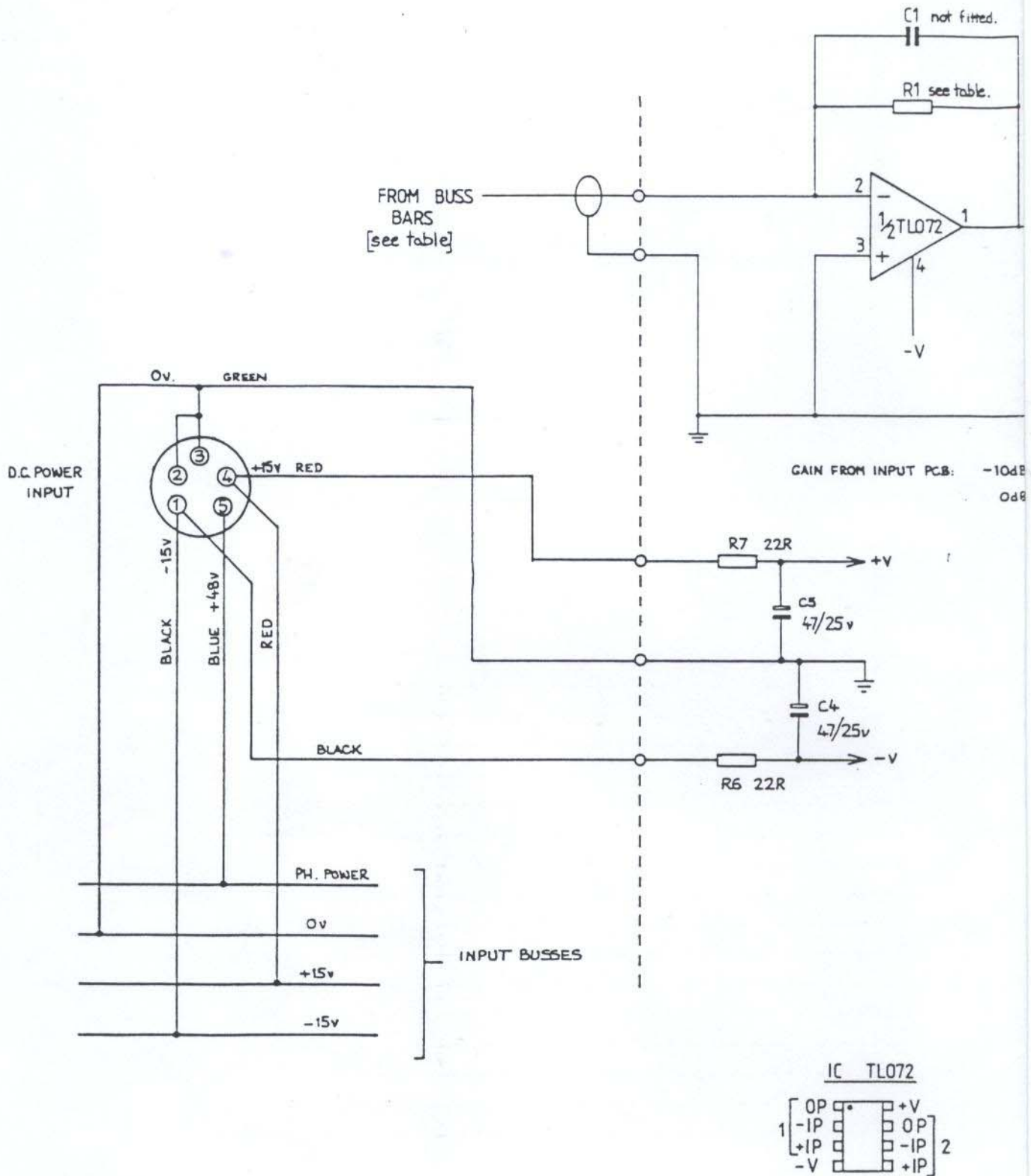
EX 8 PCB



PCB ASSEMBLY DI



RAM: PCB TYPE EXB AG0059 iss1 AHB Ltd NOV 1982.

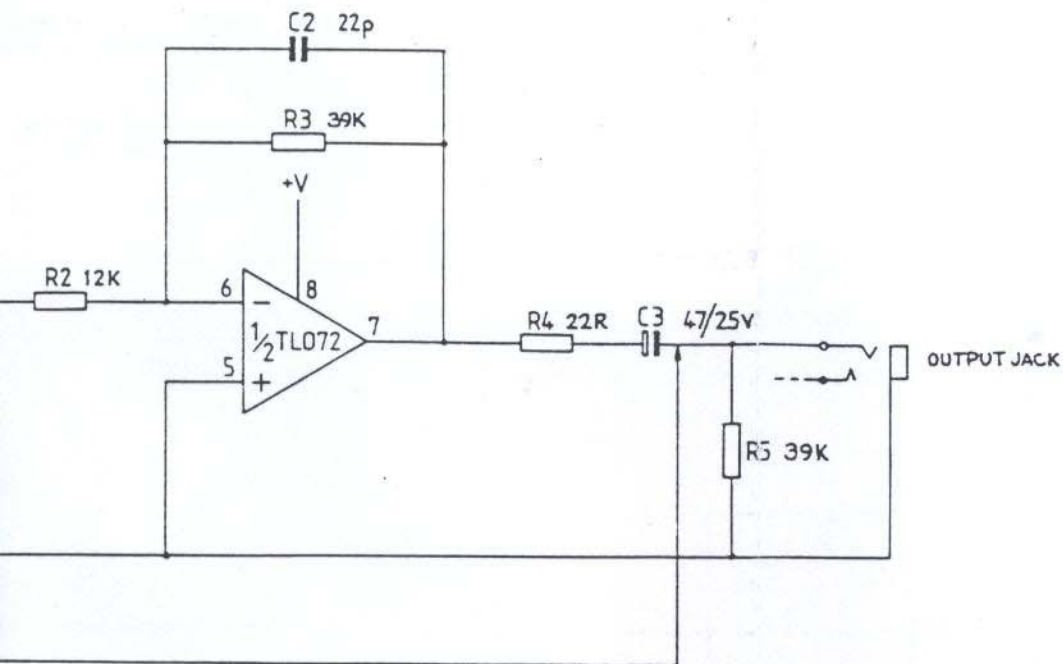


© ALLEN & HEATH BRENNELL LTD. 1982

No.	DESCRIPTION	CHKD	APPD.	DATE
REVISIONS				

CIRCUIT DIAGRAM: PCB TYPE AG0059 EXB iss
ALLEN & HEATH SYSTEM 8

AHB LTD. DEC. 1982.



MIXER BUSS BAR	CIRCUIT SUFFIX	JACK SOCKET	R1
PFL SENSE	-	PFL OUT Ring	-
PFL (AUDIO)	A	" Tip	3K9
GROUP BUSS LEFT	B	STEREO OUT T	12K
" RIGHT	C	" R	12K
" 7	D	7+8 OUT T	12K
" 8	E	" R	12K
" 5	F	5+6 OUT T	12K
" 6	G	" R	12K
" 3	H	3+4 OUT T	12K
" 4	I	" R	12K
" 1	J	1+2 OUT T	12K
" 2	K	" R	12K
AUX 1	L	AUX 1+2 OUT T	15K
AUX 2	M	" R	15K
AUX 3	N	AUX 3 OUT T	15K

SYSTEM 8 : CIRCUIT DIAGRAM PCB TYPE EXB AG0059 iss 1. DWG. 281 iss.1. DEC. 1982.

DRAWN	TRACED	CHECKED	APPROVED	DATE	SCALE
MA		R	R	12.82	

DRAWING No. 281 issue 2