

ALLEN & HEATH



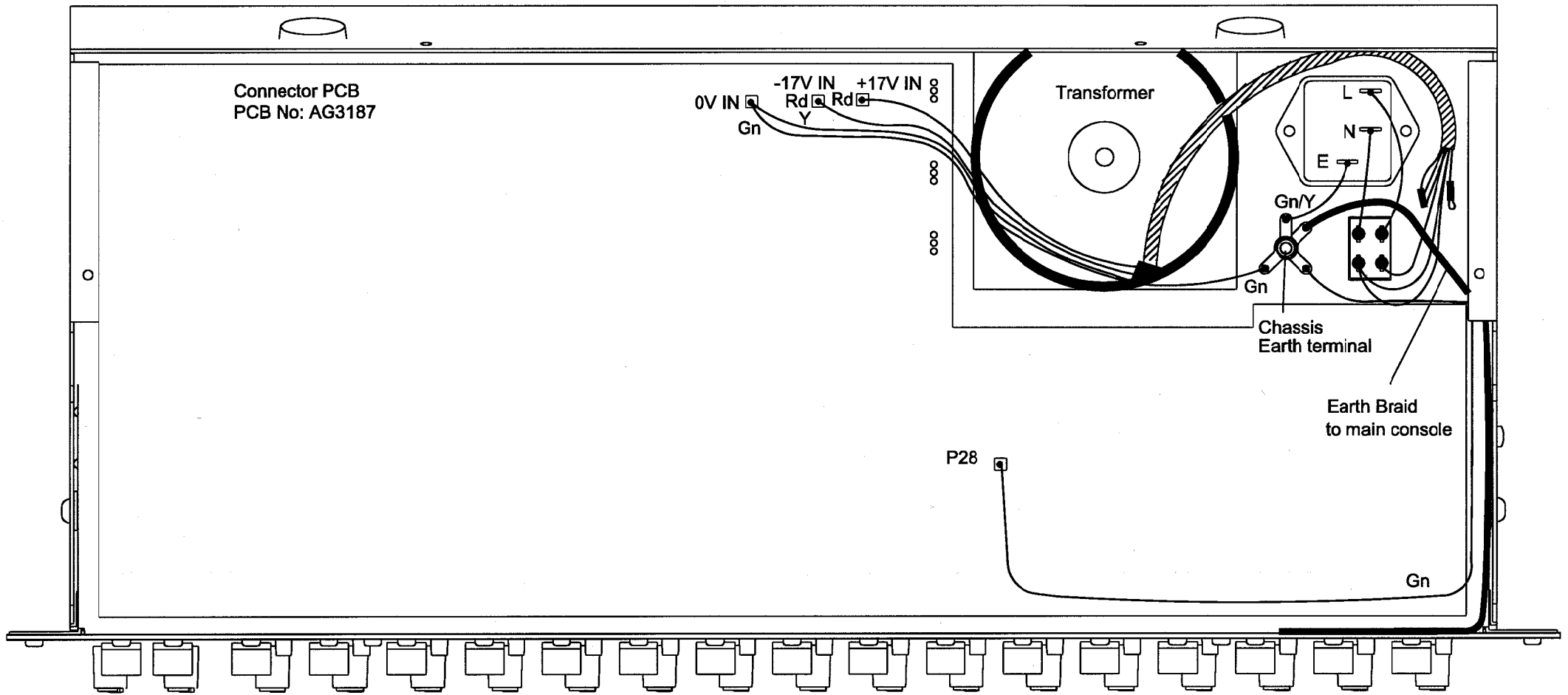
WARNING – HIGH VOLTAGES

Power Supply Unit (PSU) work should only be carried out by qualified personnel.

We recommend that you use an approved Allen & Heath service centre for all power supply work.

Please contact your local Allen & Heath distributor for more details.

<http://www.allen-heath.com/>




Main console unit removed for clarity

CHASSIS EARTH ARRANGEMENT

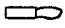


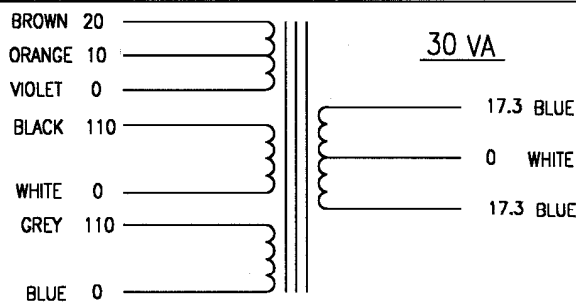
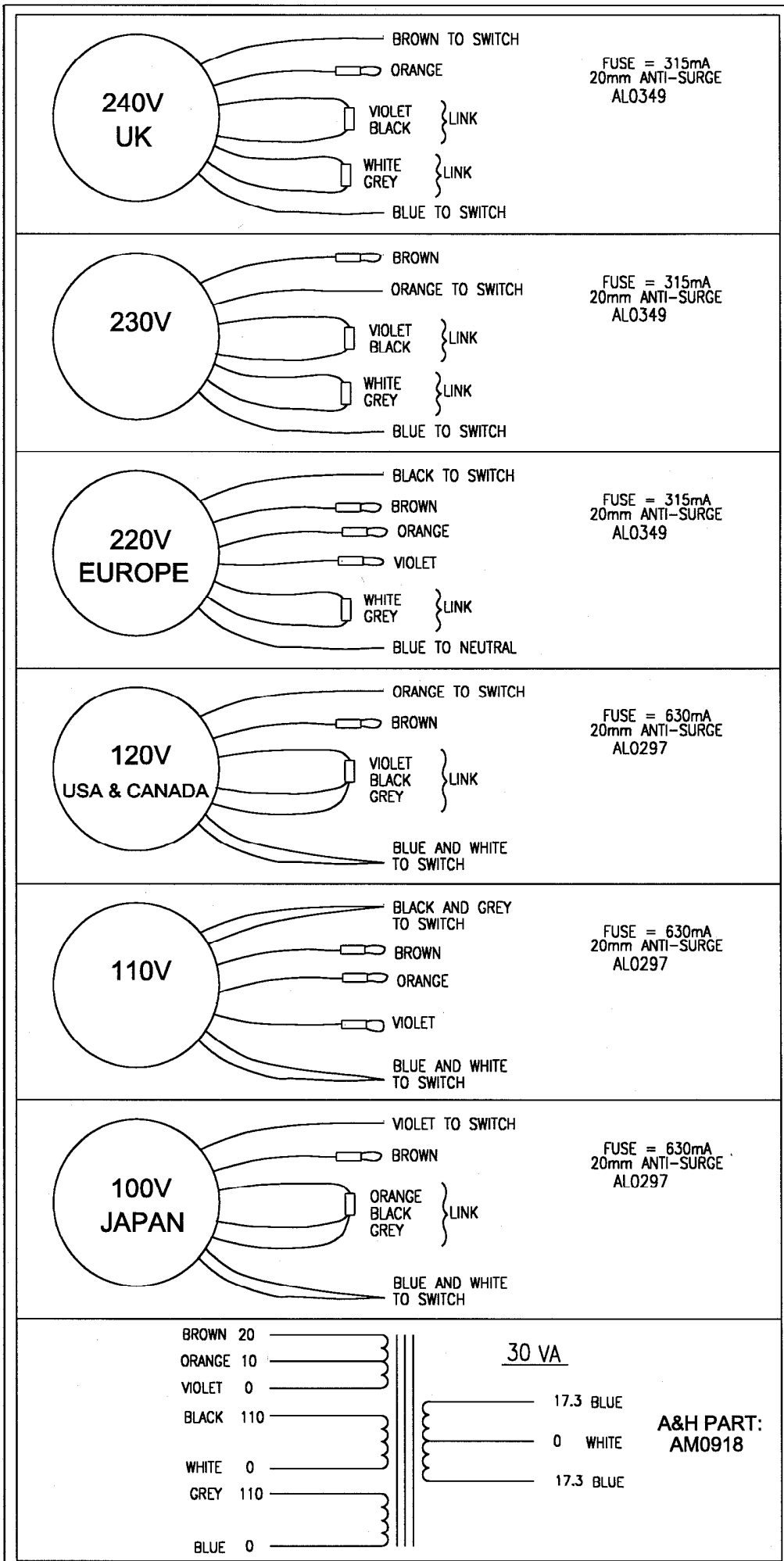
- M3 NYLOK NUT (AB0102)
- 4BA EARTH TAGS (AK0002)
- M3 HALF NUT (AB0094)
- M3 SHAKEPROOF WASHER (AB0244)
- 4BA CHASSIS EARTH TAG

STICK EARTH LABEL (AN2799)
NEXT TO EARTH TERMINAL

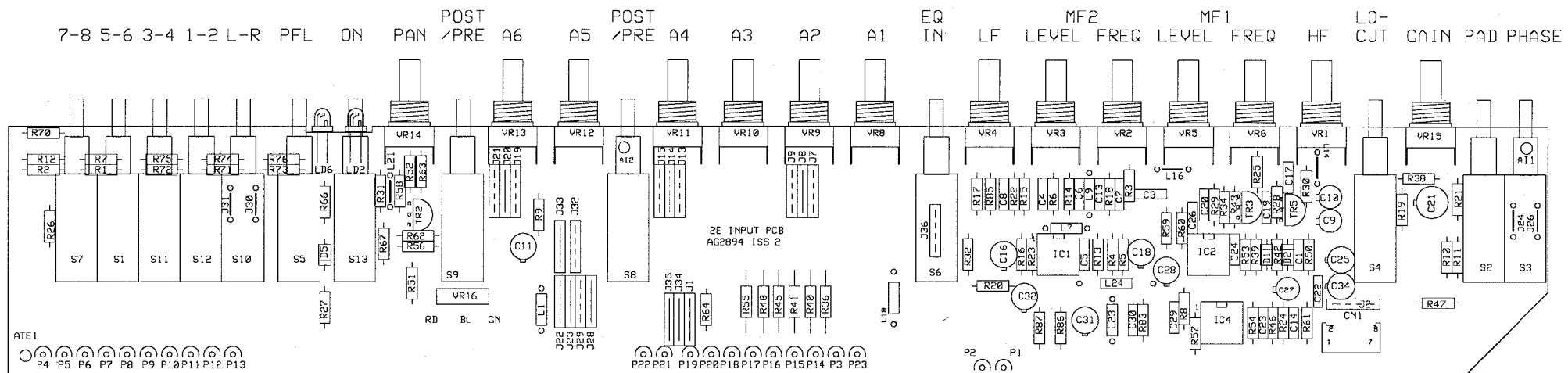
ISSUE	REVISION	BY	DATE	DRAWING TITLE	 ALLEN & HEATH KERN CK INDUSTRIAL ESTATE, PENRYN, CORNWALL TR10 9LU. TEL. 01326 372070 FAX. 01326 377097
1	PRODUCTION	IMcB	10-2-98	2e-4 PSU ASSEMBLY	
					DRAWING No M002-321 ISSUE 1

2e TRANSFORMER - MAINS WIRING

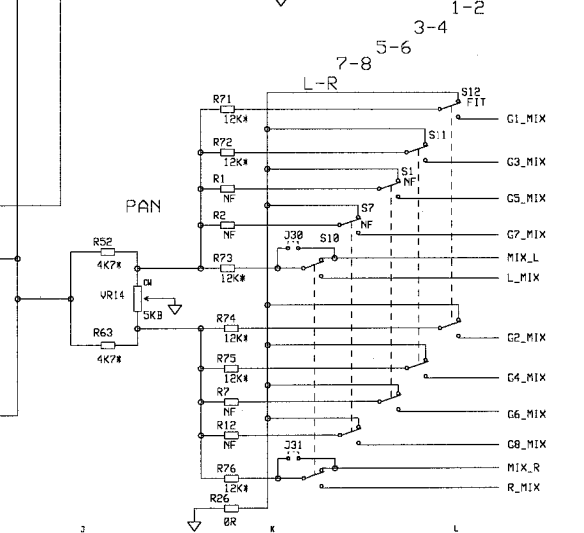
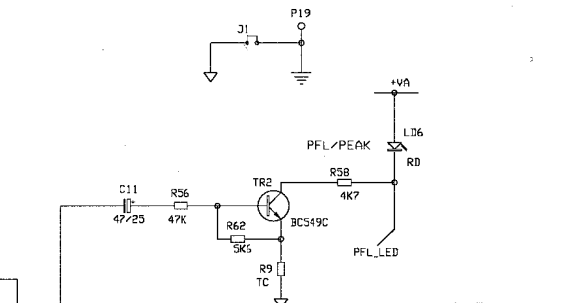
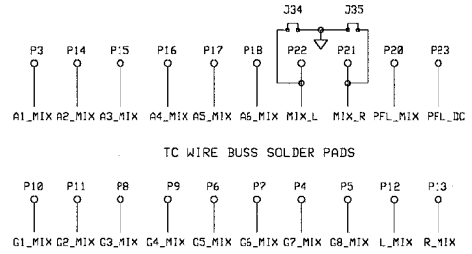
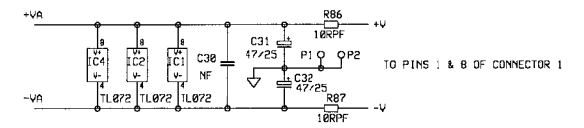
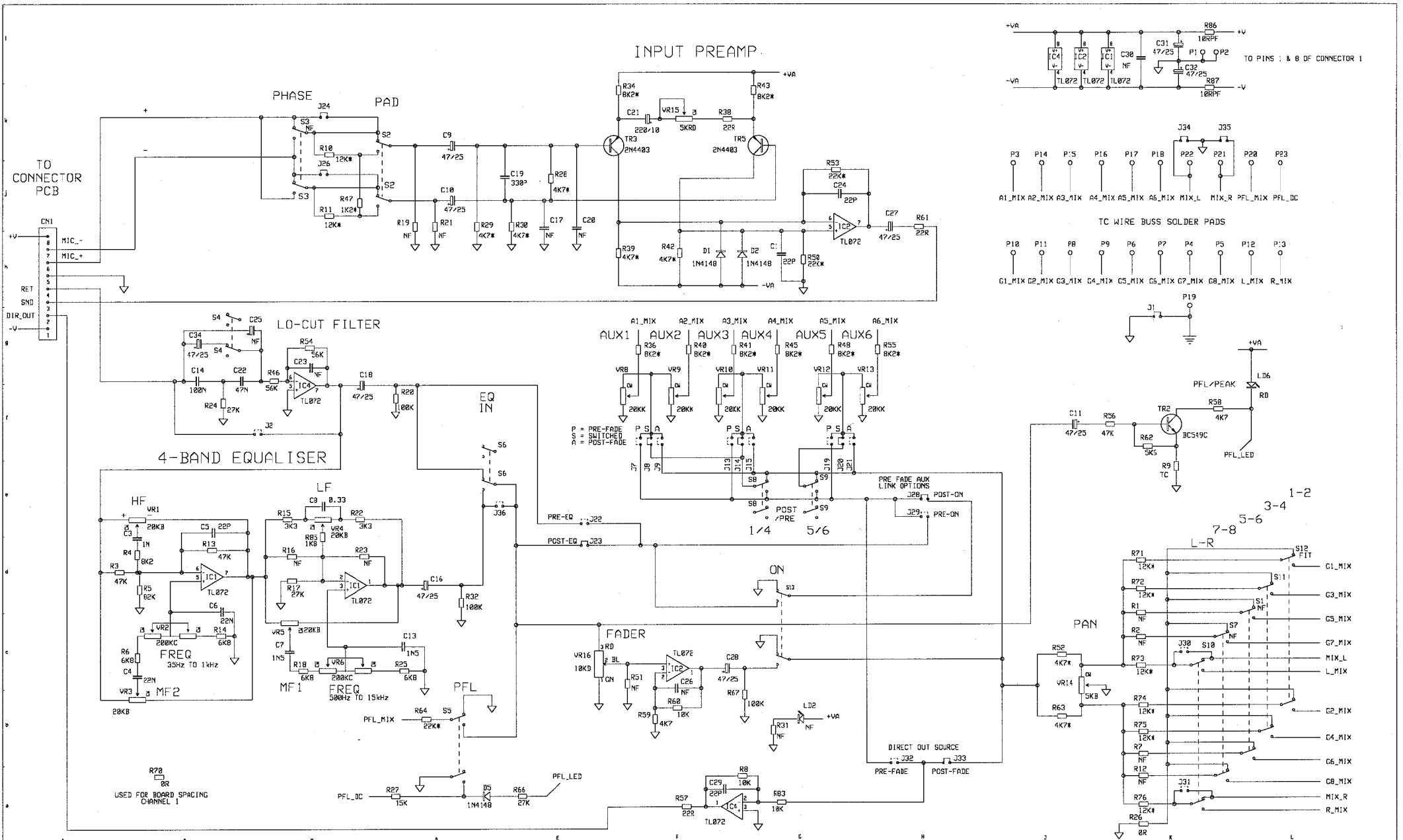
 = SLEEVED & UNCONNECTED.



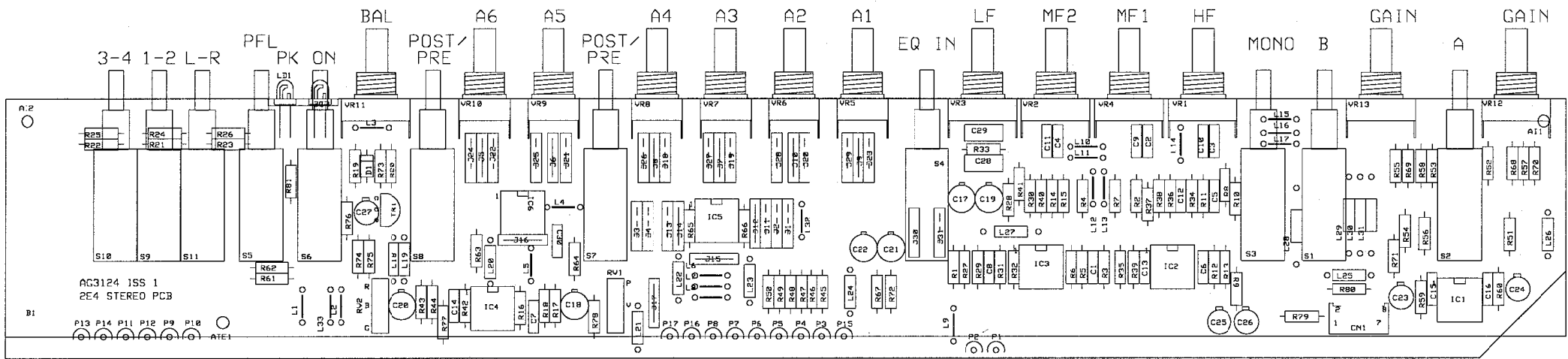
**A&H PART:
AM0918**

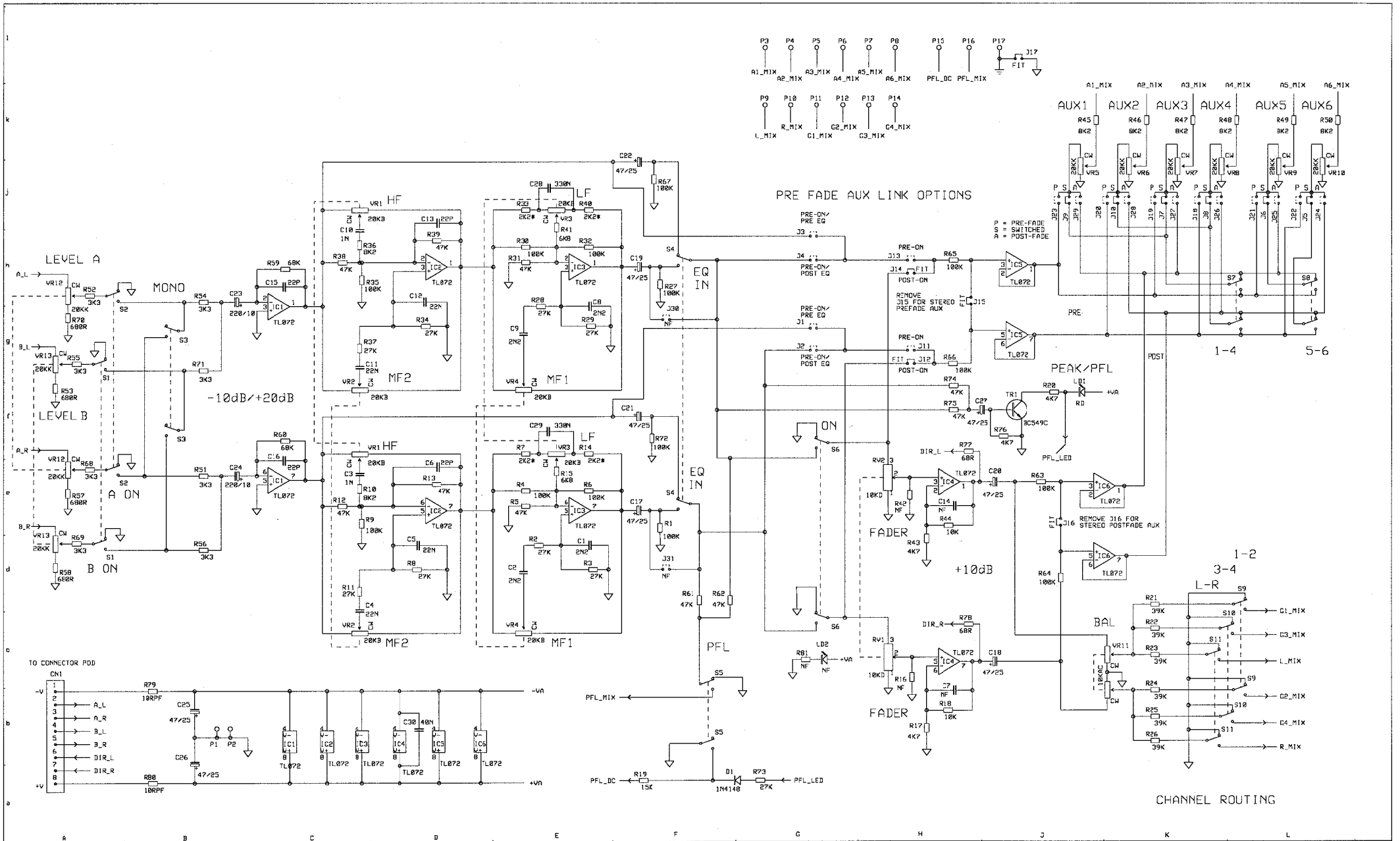


FLEXI TO
CONNECTOR POD

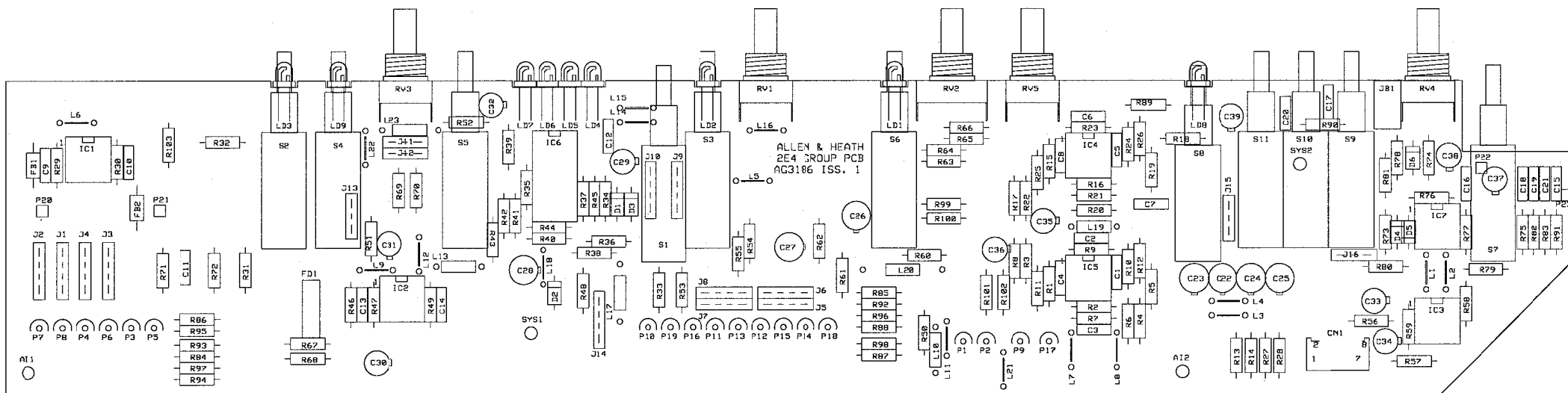


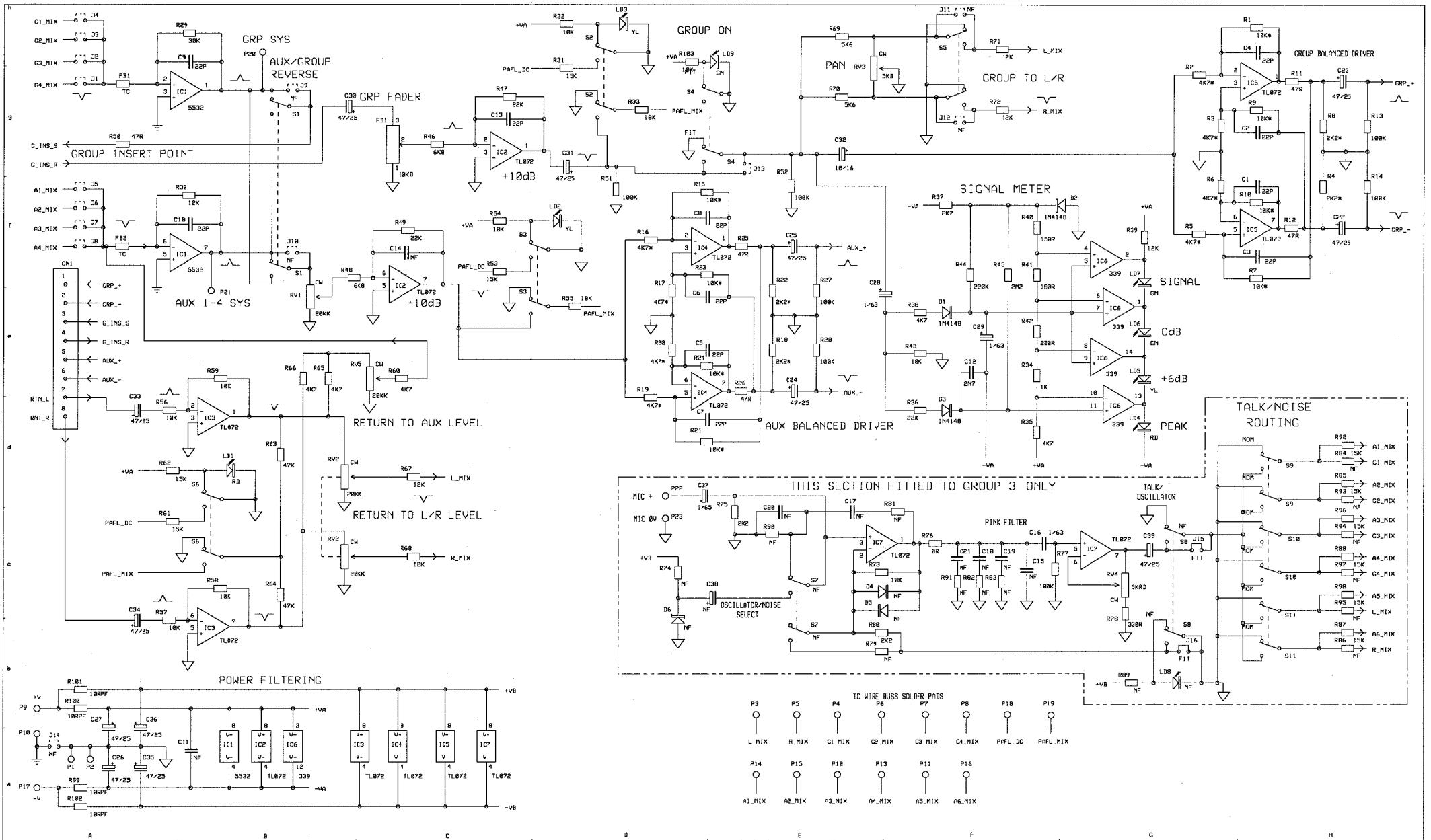
ISS.	REVISION	BY	DATE	NOTES	UNIT TITLE	MANUFACTURED IN ENGLAND BY
A	ORIGIN	ARJ	28/01/97	1. RESISTORS MARKED # ARE 1% ALL OTHERS ARE 5% UNLESS OTHERWISE MARKED	2E_4	R/G347
1.4	2E-4 VALUES	ARJ	18-8-97	2. ELECTROLYTIC CAPACITORS ARE #FAMULTS 3. DO NOT MODIFY THIS CDT. WITHOUT REFERENCE TO OTHER WORKING DRAWING CDTs.	DRAWING TITLE INPUT CIRCUIT DIAGRAM PCB TYPE AG2894	ALLEN & HEATH DRAWING No. C2894 ISSUE 1





ISS.	REVISION	BY	DATE	NOTES	UNIT TITLE	MANUFACTURED IN ENGLAND BY
A	ORIGIN	ARJ	27-5-97	1. RESISTORS MARKED * ARE 1%	2E-4	ALLEN & HEATH
B	VALUE UPDATES	ARJ	14-8-97	2. ELECTROLYTIC CAPACITORS RFBF/VOLTS	STEREO PCB	DRAWING No. C3124
					PCB AG3124	ISSUE B A1





ISS.	REVISION	BY	DATE	NOTES
A	ORIGIN	ARJ	26-6-97	
B	VALUE UPDATES	ARJ	14-8-97	
1	C28 VALUE CHANGE	DWD	14-11-97	
2	C32 VALUE CHANGE	ARJ	22-1-98	

1. RESISTORS MARKED # ARE 1%
ALL OTHERS ARE 5% 1/4W UNLESS OTHERWISE MARKED

2. ELECTROLYTIC CAPACITORS ARE μ FVOLTS

UNIT TITLE
2E-4

DRAWING TITLE
GROUP PCB

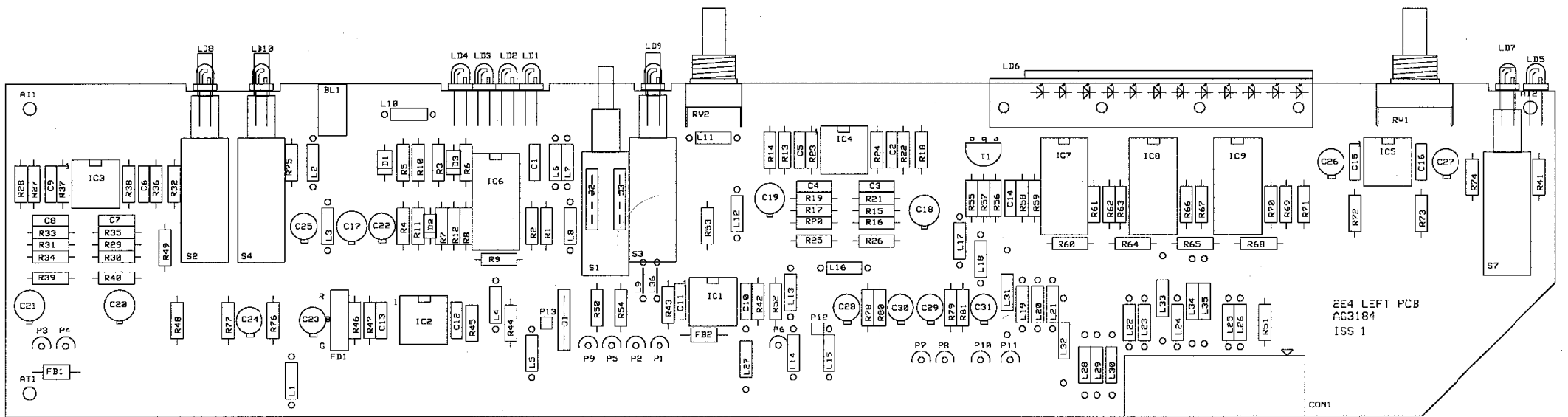
ISS. 347

MANUFACTURED IN ENGLAND BY
ALLEN & HEATH

DRAWING NO. M3186

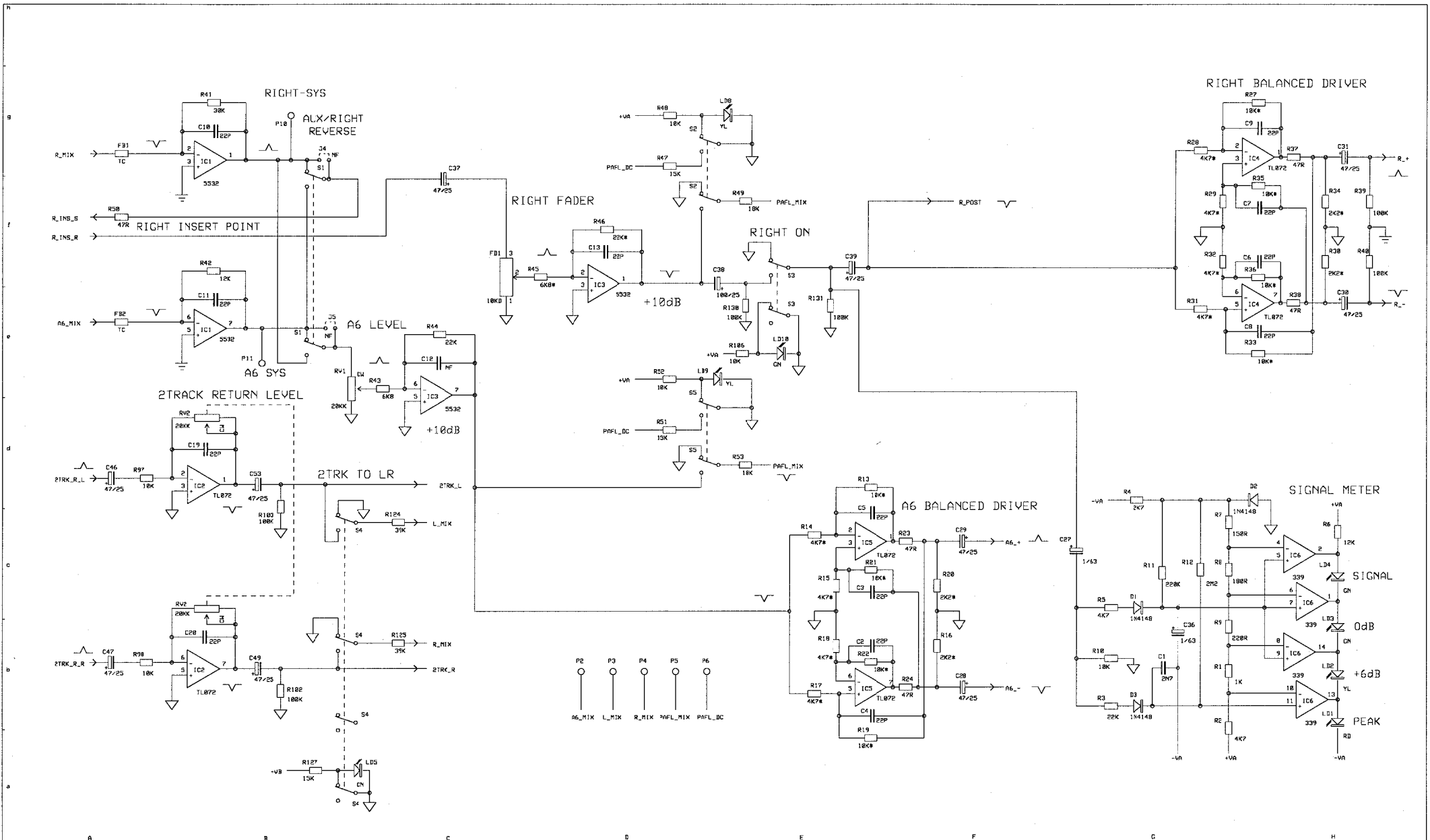
ISSUE 2

2E

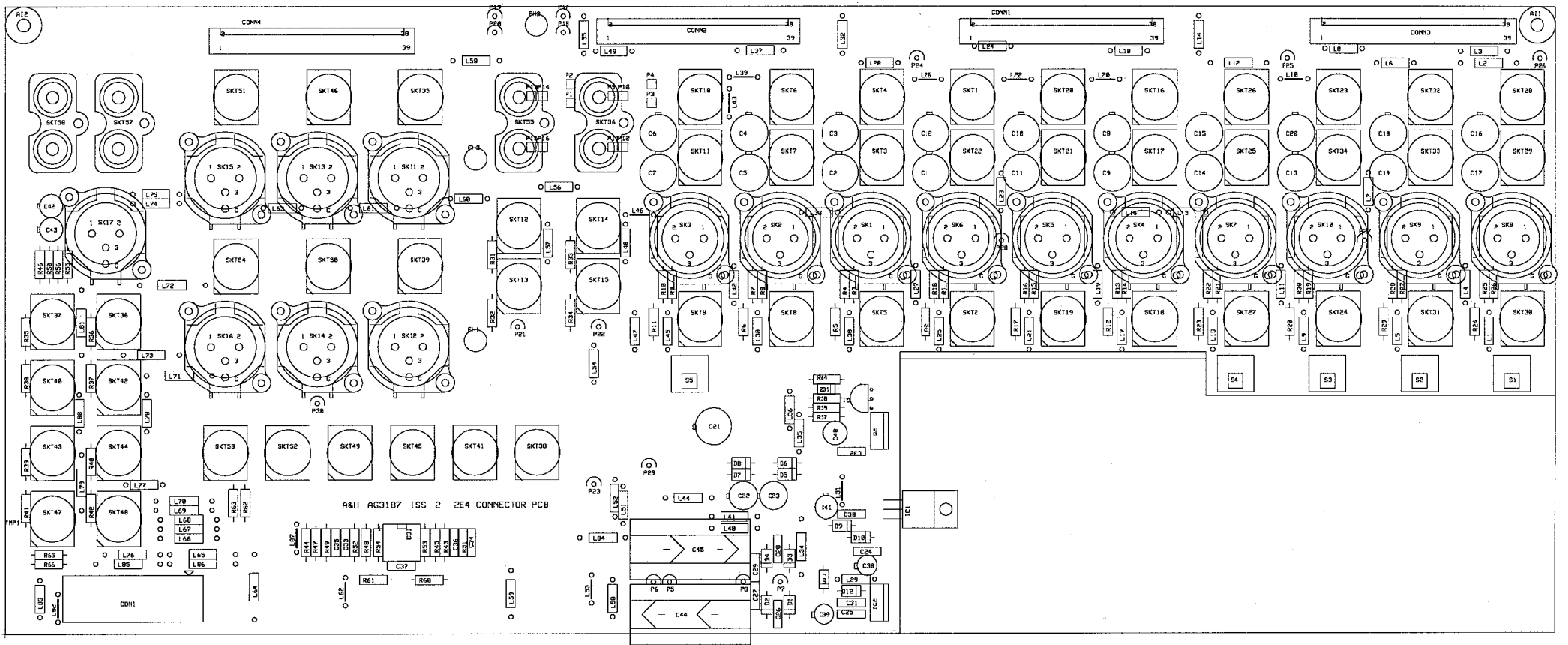


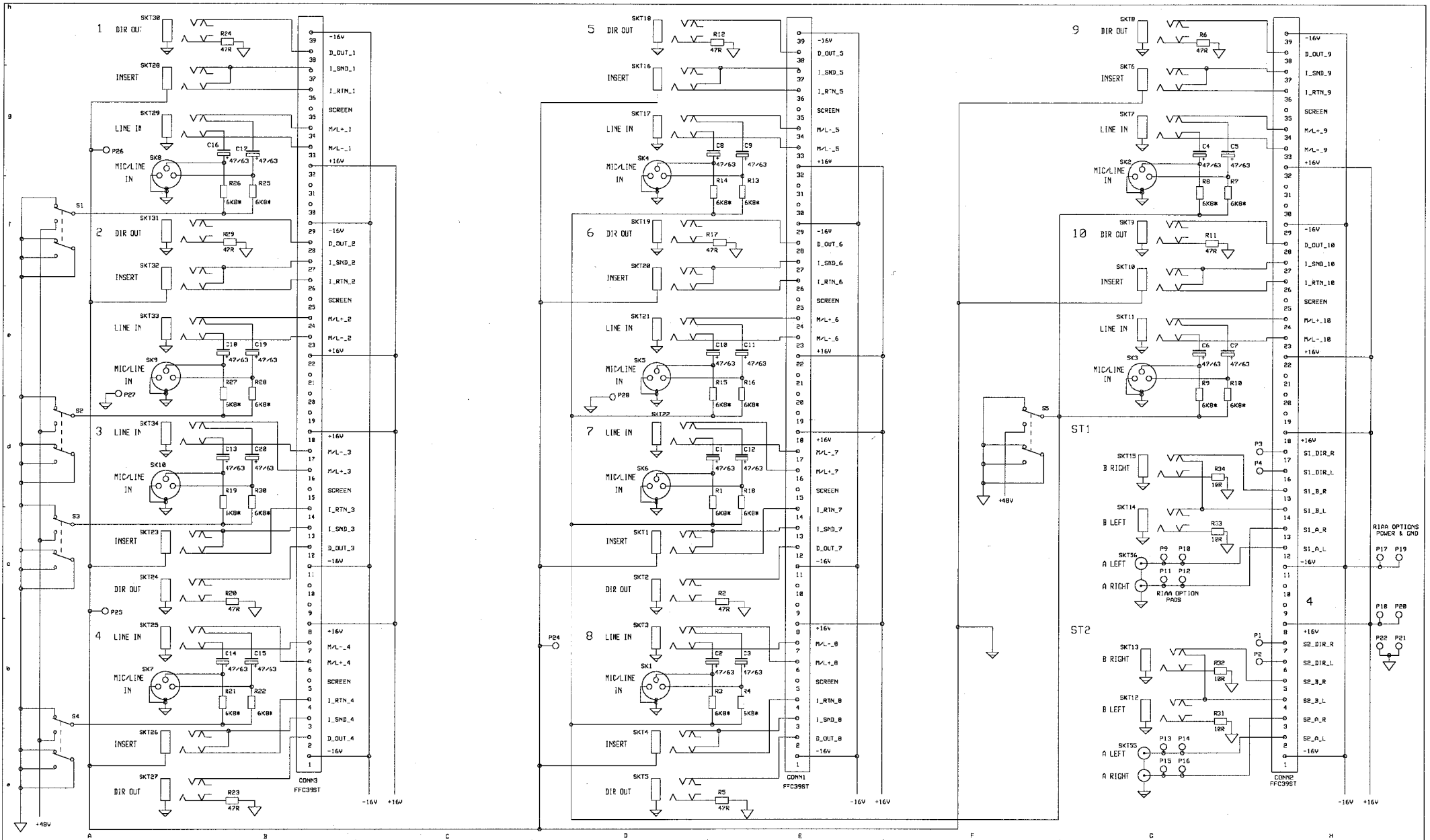
RE4 LEFT PCB
 AC3184
 ISS 1

CON1



ISS.	REVISION	BY DATE	NOTES	UNIT TITLE	PAGE 1 OF 2	MANUFACTURED IN ENGLAND BY
A	ORIGIN	ARJ 10-6-97	1. RESISTORS MARKED * ARE 1% ALL OTHERS ARE 5% 1/4W UNLESS OTHERWISE MARKED	2E-4		ALLEN & HEATH
3	UPDATES	ARJ 18-8-97		DRAWING TITLE		
C	VALUE CHANGE R5	ARJ 29-10-97		RIGHT PCB		
1	C24 ADDED	ARJ 04-11-97	2. ELECTROLYTIC CAPACITORS ARE μ F/VOLTS			DRAWING No. C3185
2	VALUE CHANGES	DWD 14-11-97				ISSUE 3
3	C48 VALUE CHANGE	DWD 21-11-97				
					RG347	





ISS.	REVISION	BY DATE	NOTES
A	ORIGIN	ARJ 3-7-97	1. RESISTORS MARKED * ARE 1K ALL OTHERS ARE 3/4W UNLESS OTHERWISE MARKED 2. ELECTROLYTIC CAPACITORS ARE µF/VOLTS
B	UPDATES	ARJ 19-8-97	
1	PRODUCTION	AAT 3-11-97	

UNIT TITLE
2E-4

DRAWING TITLE
CONNECTOR PCB

MANUFACTURED IN ENGLAND BY
ALLEN & HEATH

DRAWING No. **C3187** ISSUE **1**

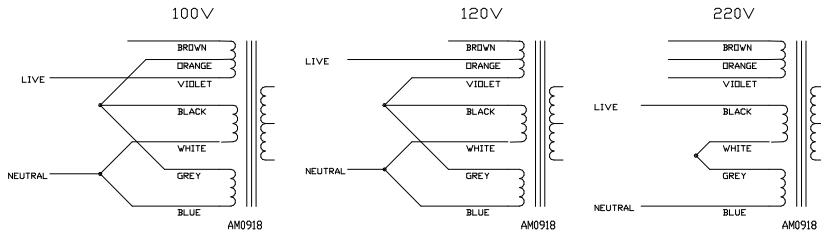
PCB AG3187/1

PAGE 1 OF 2

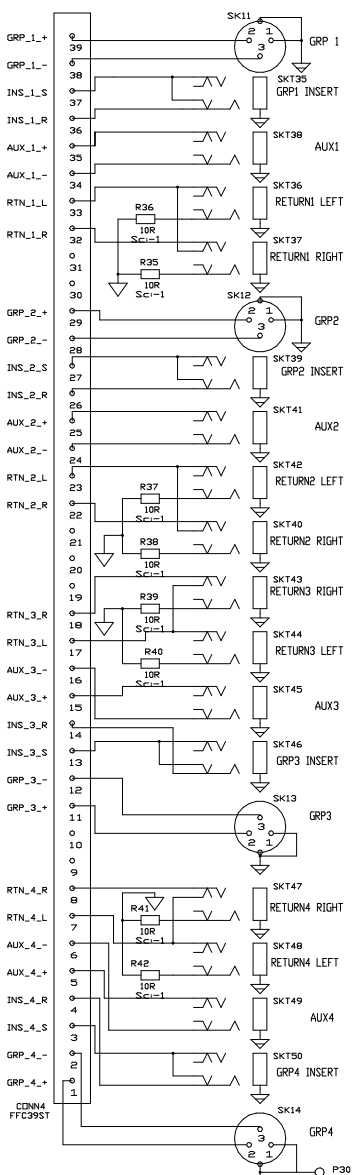
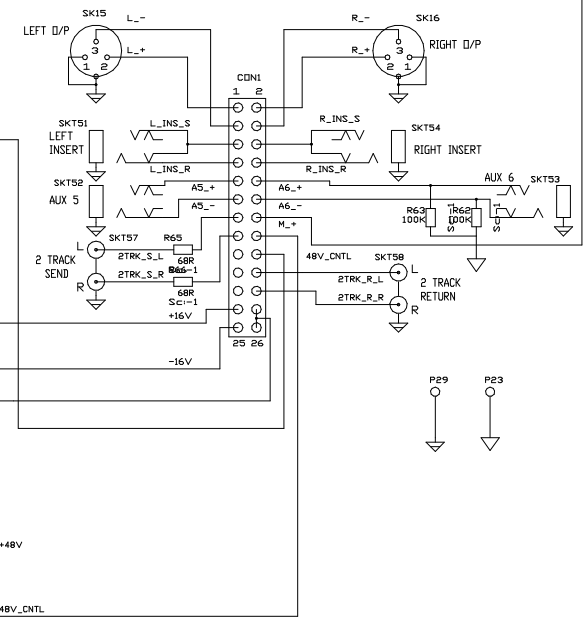
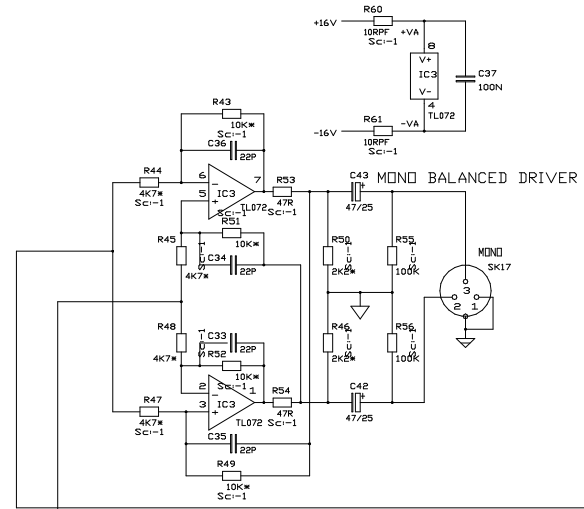
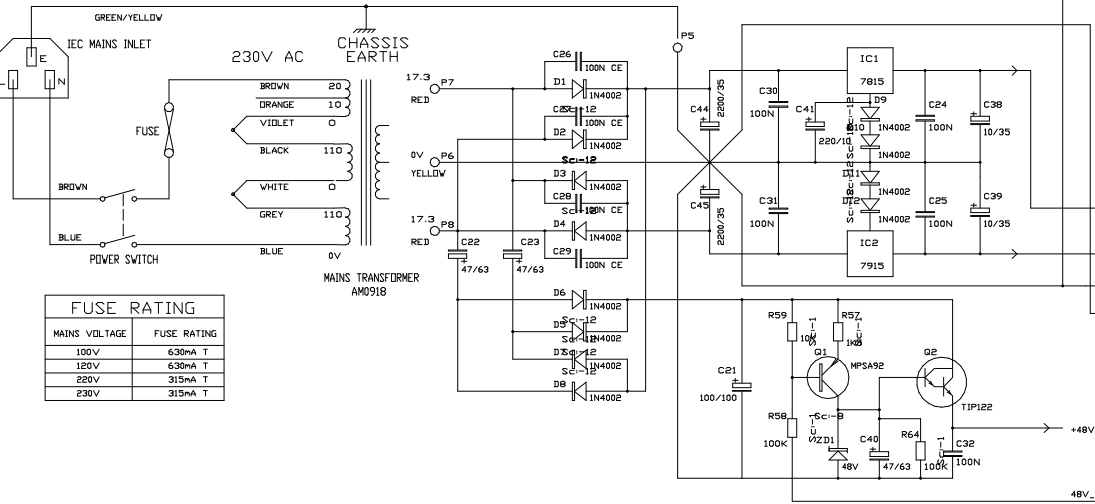
RC 347
 A2

DANGER - HIGH VOLTAGE!
 DISCONNECT MAINS SUPPLY BEFORE WORKING ON THIS UNIT
 REFER SERVICE WORK TO QUALIFIED SERVICE PERSONNEL ONLY

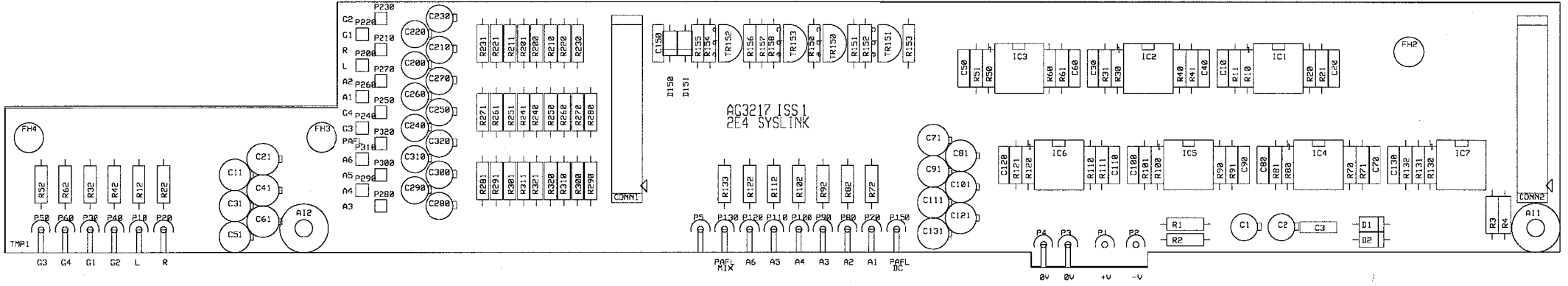
ALTERNATIVE VOLTAGE SETTINGS

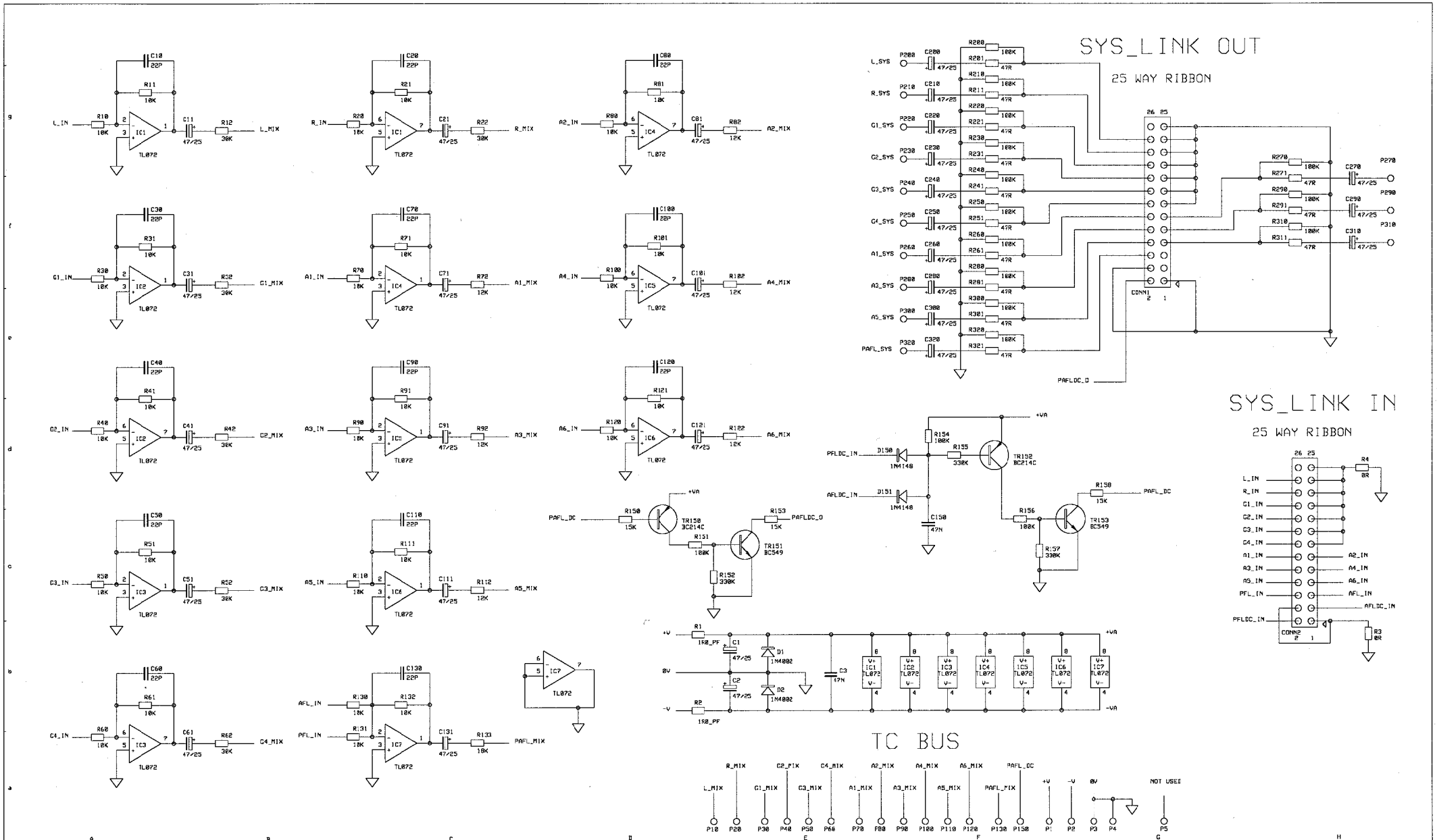


MAINS WIRING



ISS.	REVISION	BY DATE	NOTES	UNIT TITLE	MANUFACTURED IN ENGLAND BY
A	ORIGIN	ARJ 3-7-97	1. RESISTORS MARKED * ARE 1% ALL OTHERS ARE 5% 1/4W UNLESS OTHERWISE MARKED	2E-4	ALLEN & HEATH
B	UPDATES	ARJ 19-8-97	2. ELECTROLYTIC CAPACITORS ARE 7F/50V	CONNECTOR PCB	ISSUE B
				PAGE 2 OF 2	GRP 347
				PCB AG3187/1	A2





ISS.	REVISION	BY	DATE	NOTES
A	ORIGIN PRODUCTION	AAT	15-08-97	1. RESISTORS MARKED * ARE 1% ALL OTHERS ARE 5% 1/4W UNLESS OTHERWISE MARKED
		AAT	04-12-97	2. ELECTROLYTIC CAPACITORS ARE µF/VOLTS

UNIT TITLE
2E4

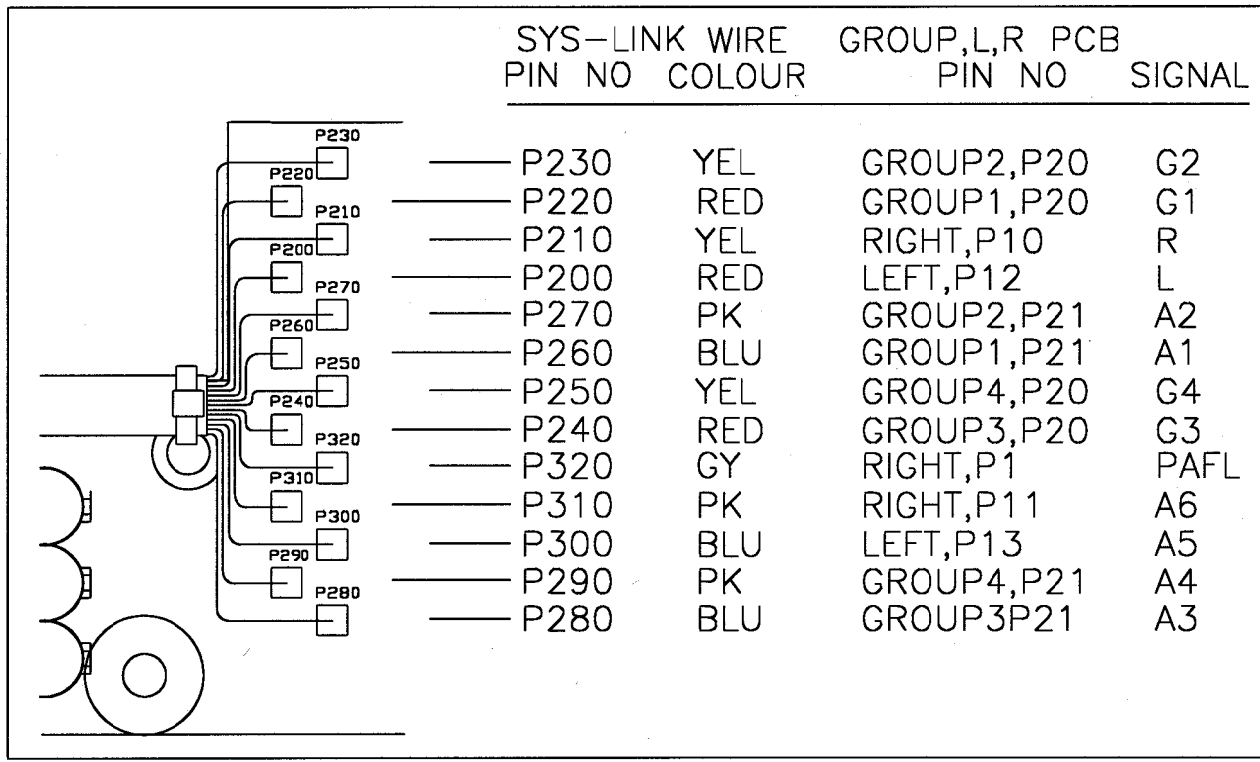
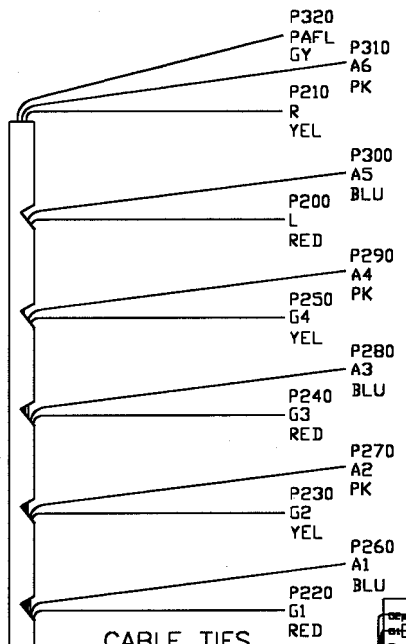
DRAWING TITLE
SYSLINK PCB
PCB TYPE AG3217

MANUFACTURED IN ENGLAND BY
ALLEN & HEATH

DRAWING No. C3217 ISSUE 1

RG347

DRAWING No. C3217		ISSUE 1	RG347
		1	A2



SYS-LINK WIRE PIN NO	COLOUR	GROUP,L,R	PCB PIN NO	SIGNAL
----------------------	--------	-----------	------------	--------

P230	YEL	GROUP2,P20	P20	G2
P220	RED	GROUP1,P20	P20	G1
P210	YEL	RIGHT,P10	P10	R
P200	RED	LEFT,P12	P12	L
P270	PK	GROUP2,P21	P21	A2
P260	BLU	GROUP1,P21	P21	A1
P250	YEL	GROUP4,P20	P20	G4
P240	RED	GROUP3,P20	P20	G3
P320	GY	RIGHT,P1	P1	PAFL
P310	PK	RIGHT,P11	P11	A6
P300	BLU	LEFT,P13	P13	A5
P290	PK	GROUP4,P21	P21	A4
P280	BLU	GROUP3P21	P21	A3

CABLE TIES (AKO151) x 2

AG3217 ISSA 2E4 SYS-LINK

RED 16/0.2 70MM
BLACK 16/0.2 70MM

ISSUE	REVISION	BY	DATE	NOTES
A	1	AAT	01-09-97	ALL DIMENSIONS IN mm UNLESS OTHERWISE STATED REMOVE ALL SHARP EDGES THIRD ANGLE PROJECTION

DRAWING TITLE 2E4 SYS-LINK PCB/WFM ASSY
STOCK CODE M002-335

ALLEN & HEATH
 KERNICK INDUSTRIAL ESTATE
 PENRYN CORNWALL TRIO 9LU
 TEL 01326 372070
 FAX 01326 373736

DRAWING No M002-335 SHEET ISSUE 1 A3



MixWizard** 14:4:2 BLOCK DIAGRAM

