

ALLEN & HEATH



WARNING – HIGH VOLTAGES

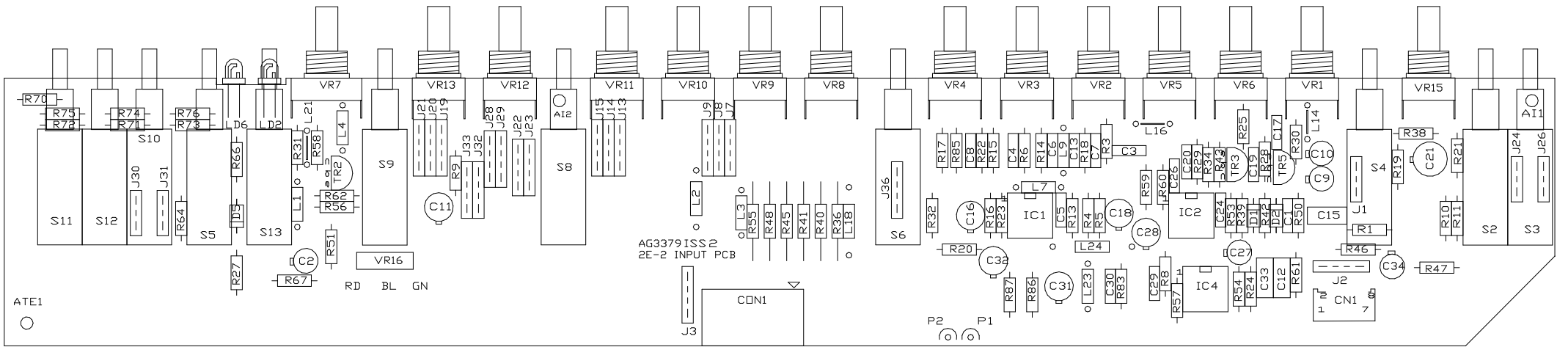
Power Supply Unit (PSU) work should only be carried out by qualified personnel.

We recommend that you use an approved Allen & Heath service centre for all power supply work.

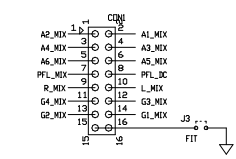
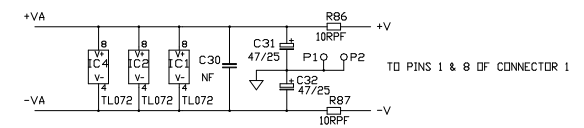
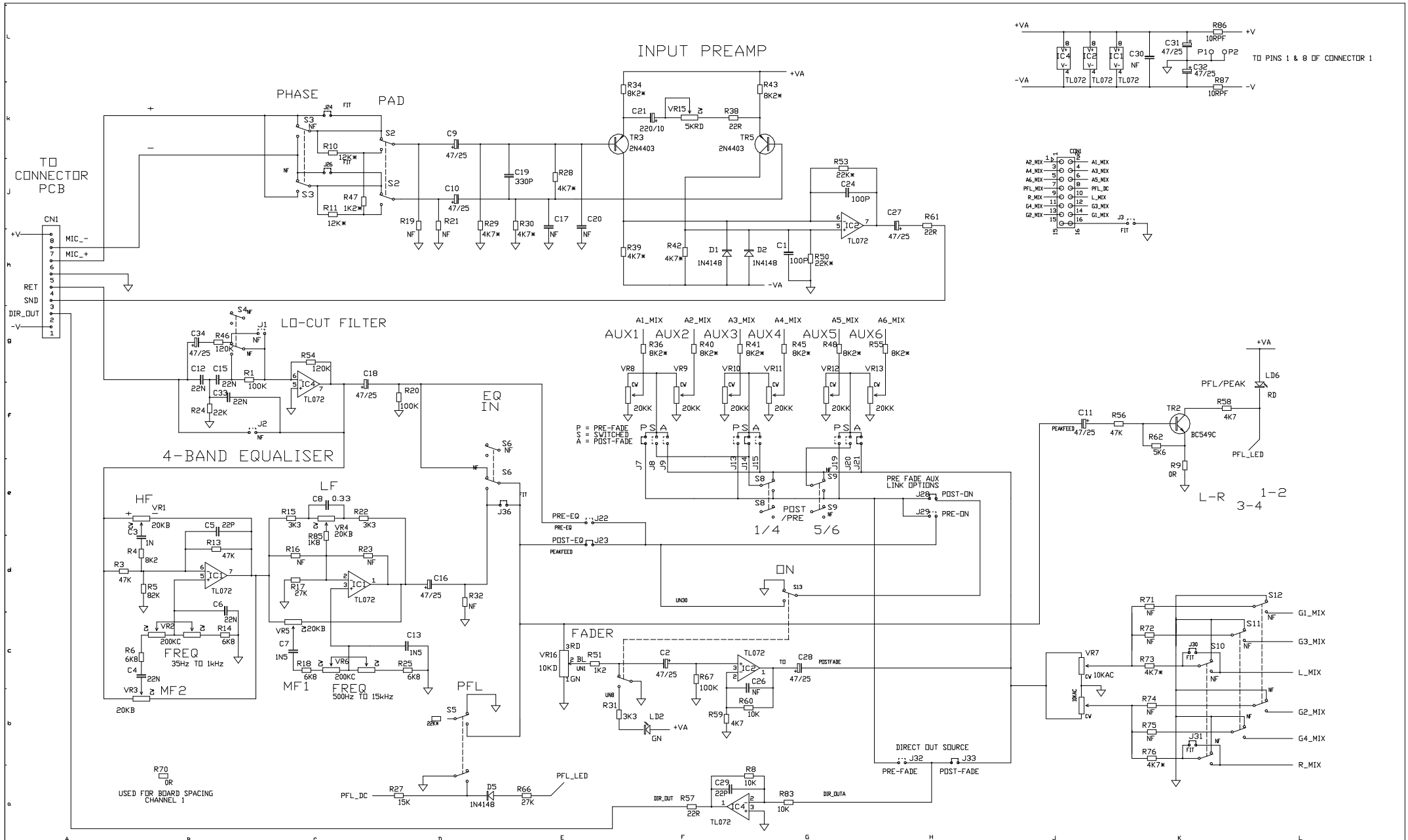
Please contact your local Allen & Heath distributor for more details.

<http://www.allen-heath.com/>

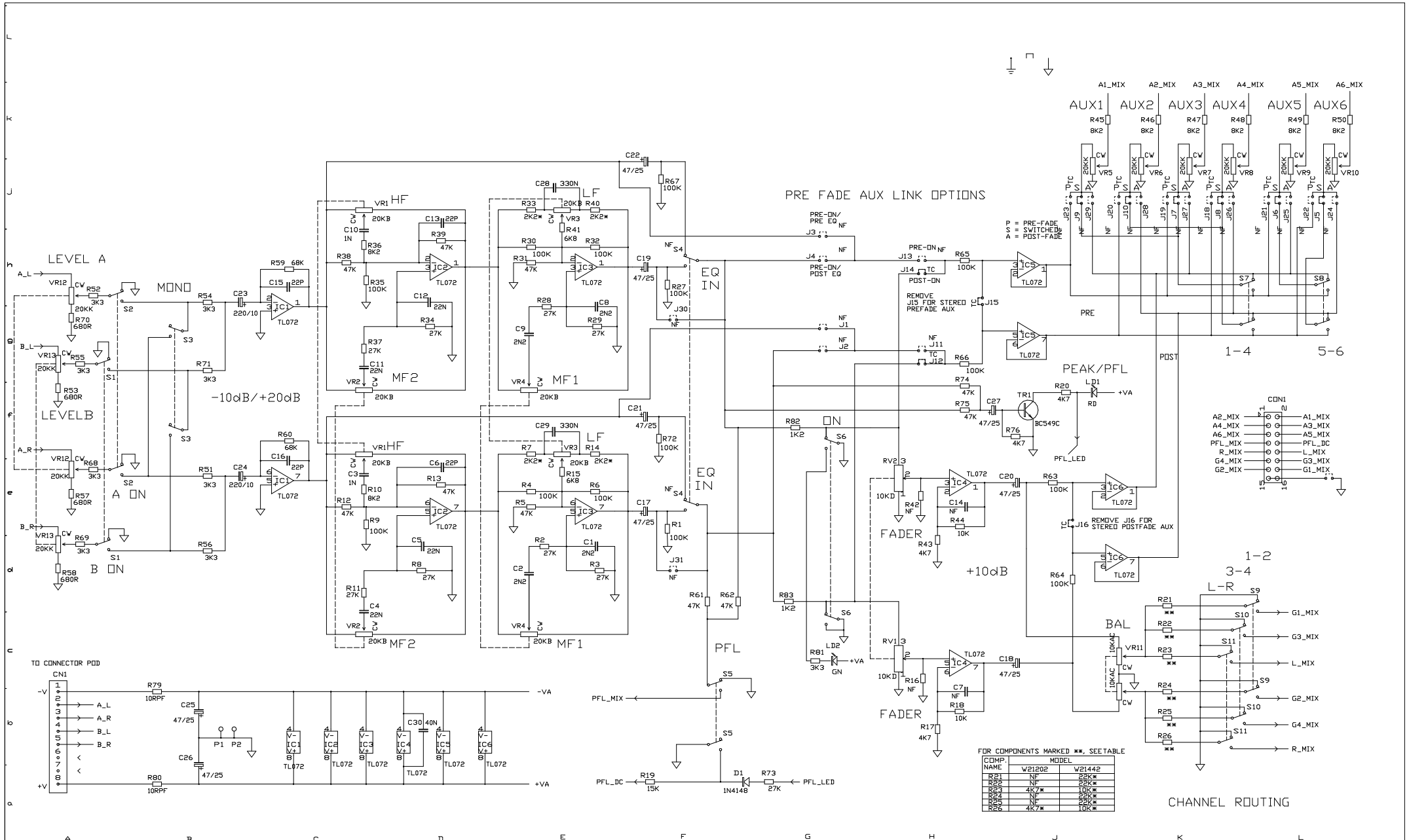
3-41-2L-R PFL □N PAN /PRE A6 A5 /PRE A4 A3 A2 A1 EQ IN LF MF2 MF1 LF- HF CUT GAIN PAD PHASE



FLEXI TO CONNECTOR POD

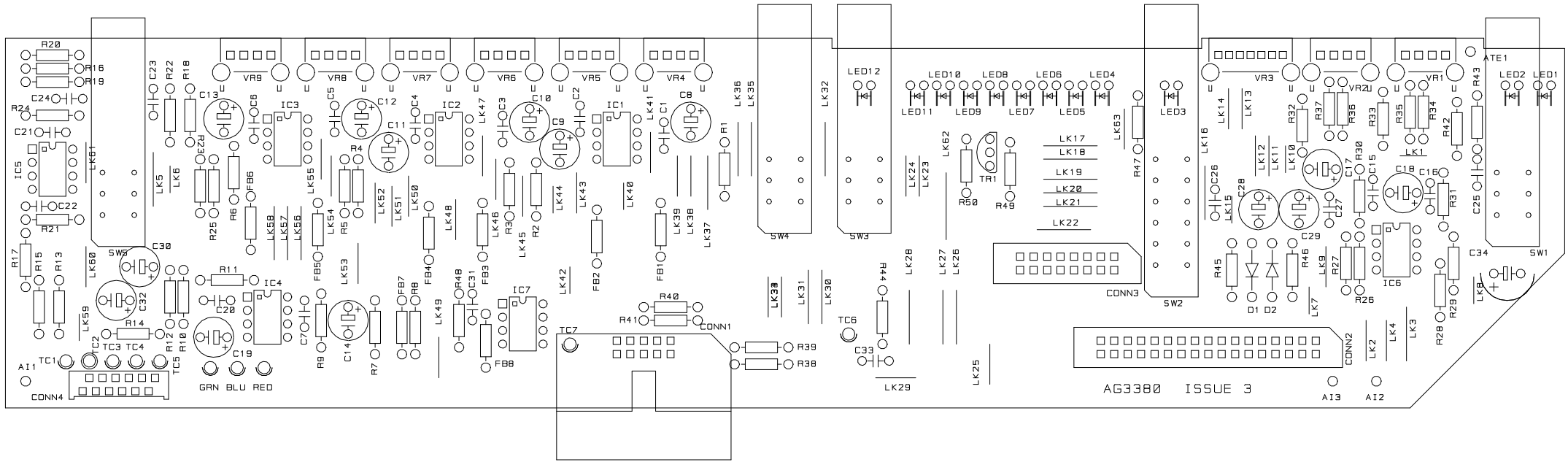


ISS	REVISION	BY	DATE	NOTES	UNIT TITLE	MANUFACTURED IN ENGLAND BY
A	ORIGIN	ARJ	19-5-98	1. RESISTORS MARKED * ARE 1% ALL OTHERS ARE 5% UNLESS OTHERWISE MARKED	2E2	R/G316
B	4BUSS REV	ARJ	9-7-98	2. ELECTROLYTIC CAPACITORS ARE %AVOLTS	INPUT CIRCUIT DIAGRAM	ALLEN & HEATH
1	R1 ADDED	DRP	24-9-98	3. DO NOT MODIFY THIS CCT. WITHOUT REFERENCE TO OTHER WIZARD INPUT CCTS.	PCB TYPEAG3379	DRAWING No C3379 ISSUE 3 A1
2	R31,C1 & C24 VALUE CHANGES	DWD	5-11-98			
3	LOW-CUT FILTER VALUE CHANGES	DWD	12-3-99			

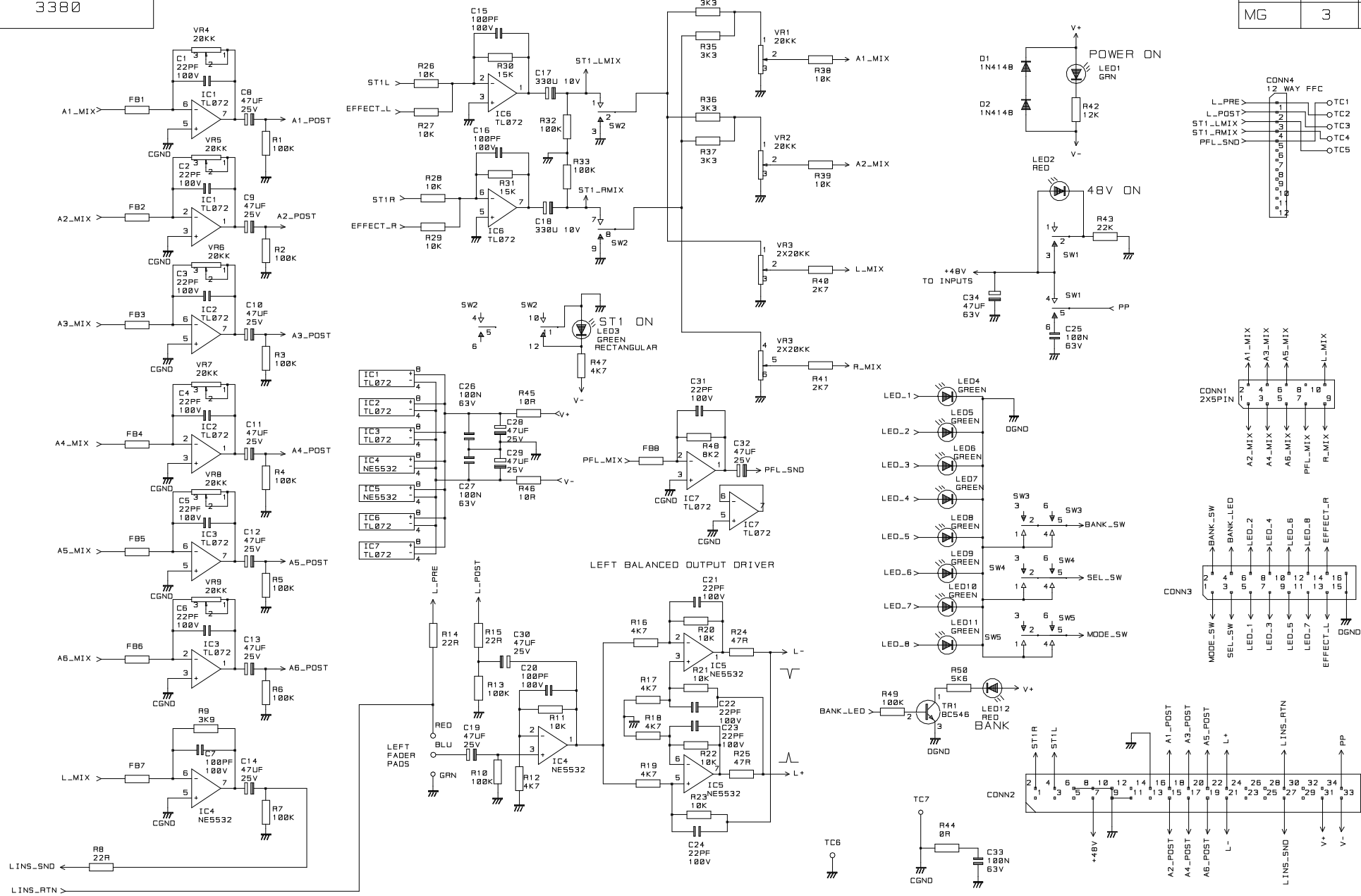


ISS.	REVISION	BY	DATE	NOTES
A	ORIGIN	ARJ		
1	PRODUCTION	ARJ	14-09-98	1. RESISTORS MARKED * ARE 1% ALL OTHERS ARE 5% 1/4W UNLESS OTHERWISE MARKED
2	ISSUE 2 UPDATE	DVD	09-11-98	2. ELECTROLYTIC CAPACITORS ARE 80V/VOLTS

UNIT TITLE	2E2	MANUFACTURED IN ENGLAND BY	ALLEN & HEATH
DRAWING TITLE	STEREO CIRCUIT DIAGRAM AG3408	DRAWING No.	C3408
		ISSUE	2
			A1



INITIAL	ISSUE	DATE
MG	3	16-12-99



ALLEN & HEATH
 COPYRIGHT OF THIS DRAWING
 WHICH IS NOT TO BE COPIED,
 REPRODUCED OR DISCLOSED, IN PART
 OR IN WHOLE TO A THIRD PARTY
 WITHOUT WRITTEN PERMISSION.

NOTES

VR1 20K
 VR2 20K
 VR3 2X20K
 VR4 20K
 VR5 20K
 VR6 20K
 VR7 20K
 VR8 20K
 VR9 20K

POT BRACKETS CONNECTED TO ENFORCE CONNECTION TO FRONT PANEL FOR HUM SHIELDING

DRN. MG
 AG3380-2

ALLEN & HEATH
 HARMAN INT. INDUSTRIES LTD.
 KERNICK INDUSTRIAL EST
 PENRYN
 CORNWALL
 TR10 9LU
 TEL: 01326 372070
 FAX: 01326 377097

TITLE WIZARD 2
 MASTER LEFT PCB
 DRG NO. 3380

MONO
AB LEVEL

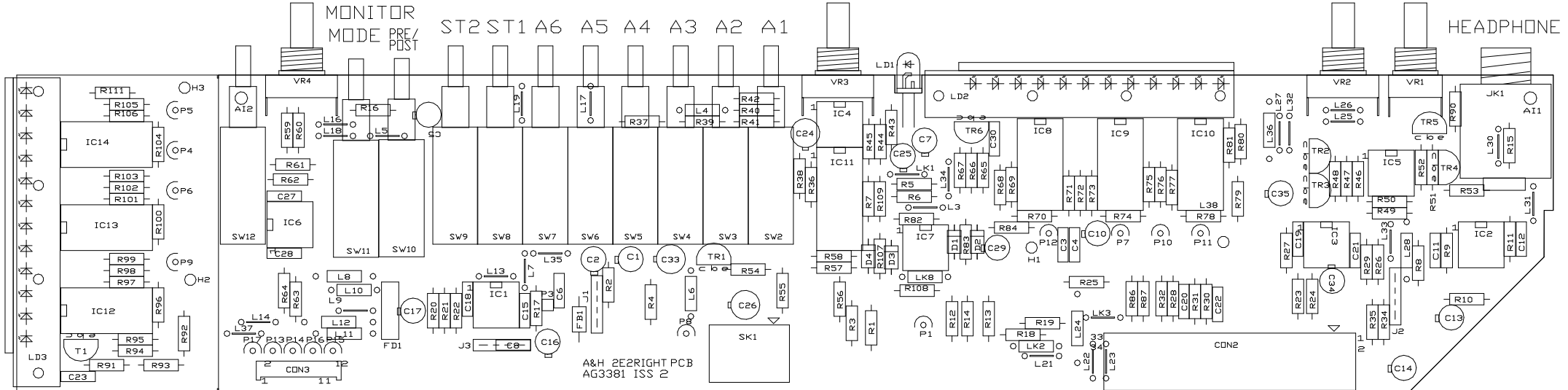
MONITOR SELECT

HEADPHONE
LEVEL

ST2 ST1 A6 A5 A4 A3 A2 A1
ST2 TO AUX1 ST2 TO L/R HEADPHONE

MONITOR
MODE
PRE/
POST

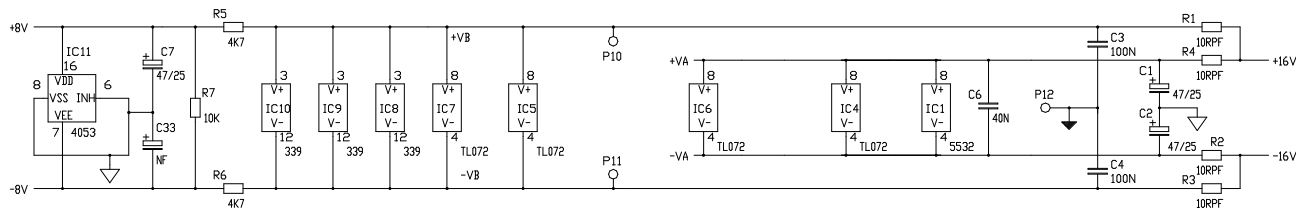
ST2 ST1 A6 A5 A4 A3 A2 A1



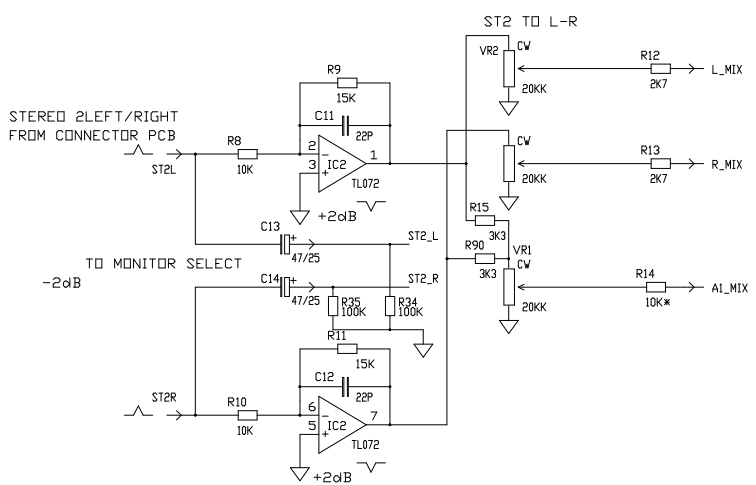
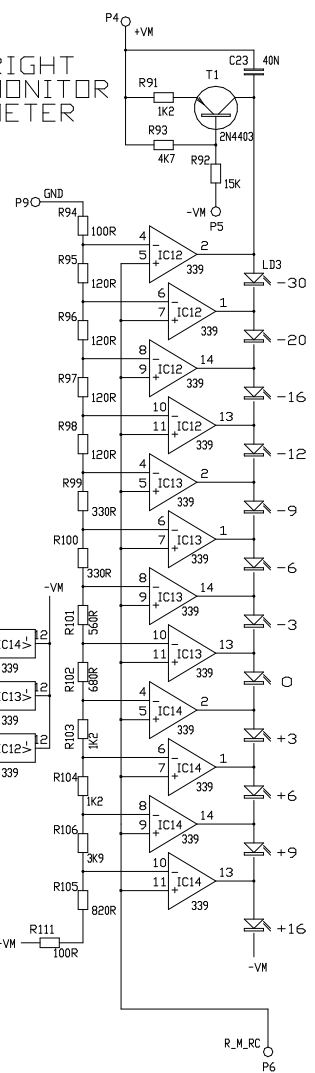
A&H 2E2RIGHT PCB
AG3381 ISS 2

34WAY TO CONNECTORS

POWER SUPPLY FILTERING

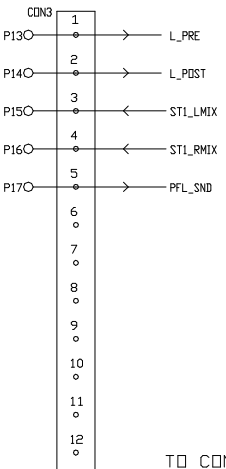


RIGHT MONITOR METER

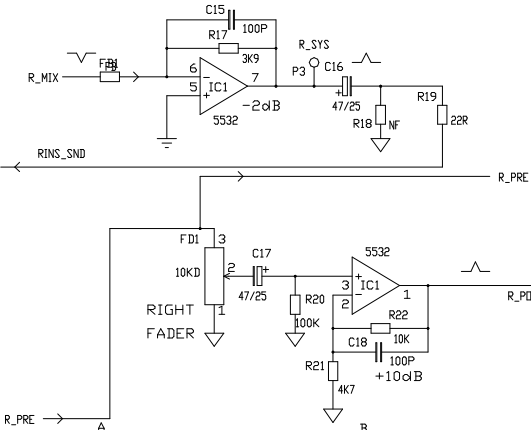


TC BUS

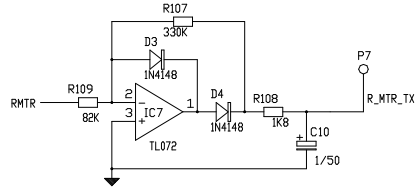
FLEXI LINK TO LEFT PCB



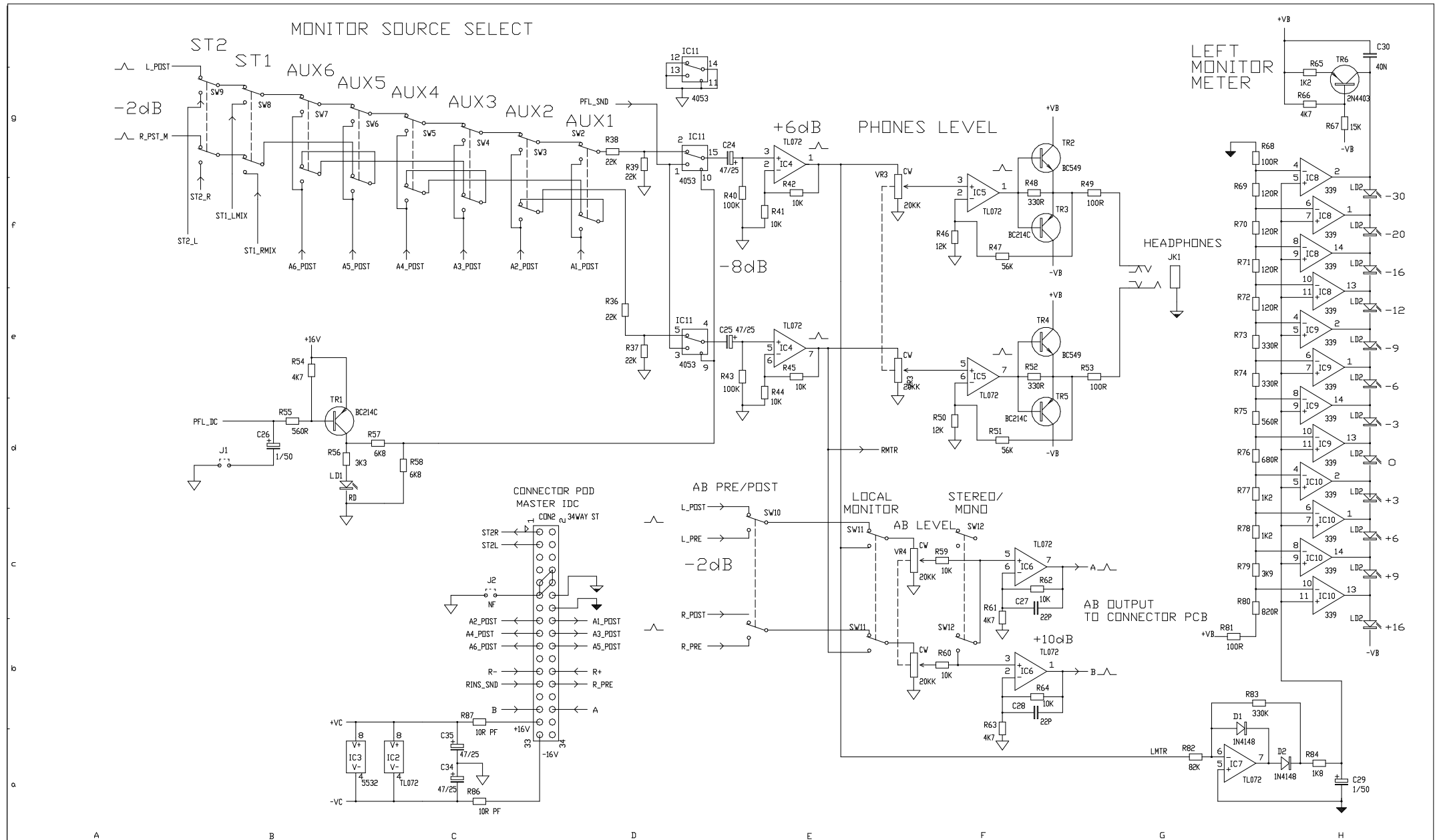
TO CONNECTOR PCB



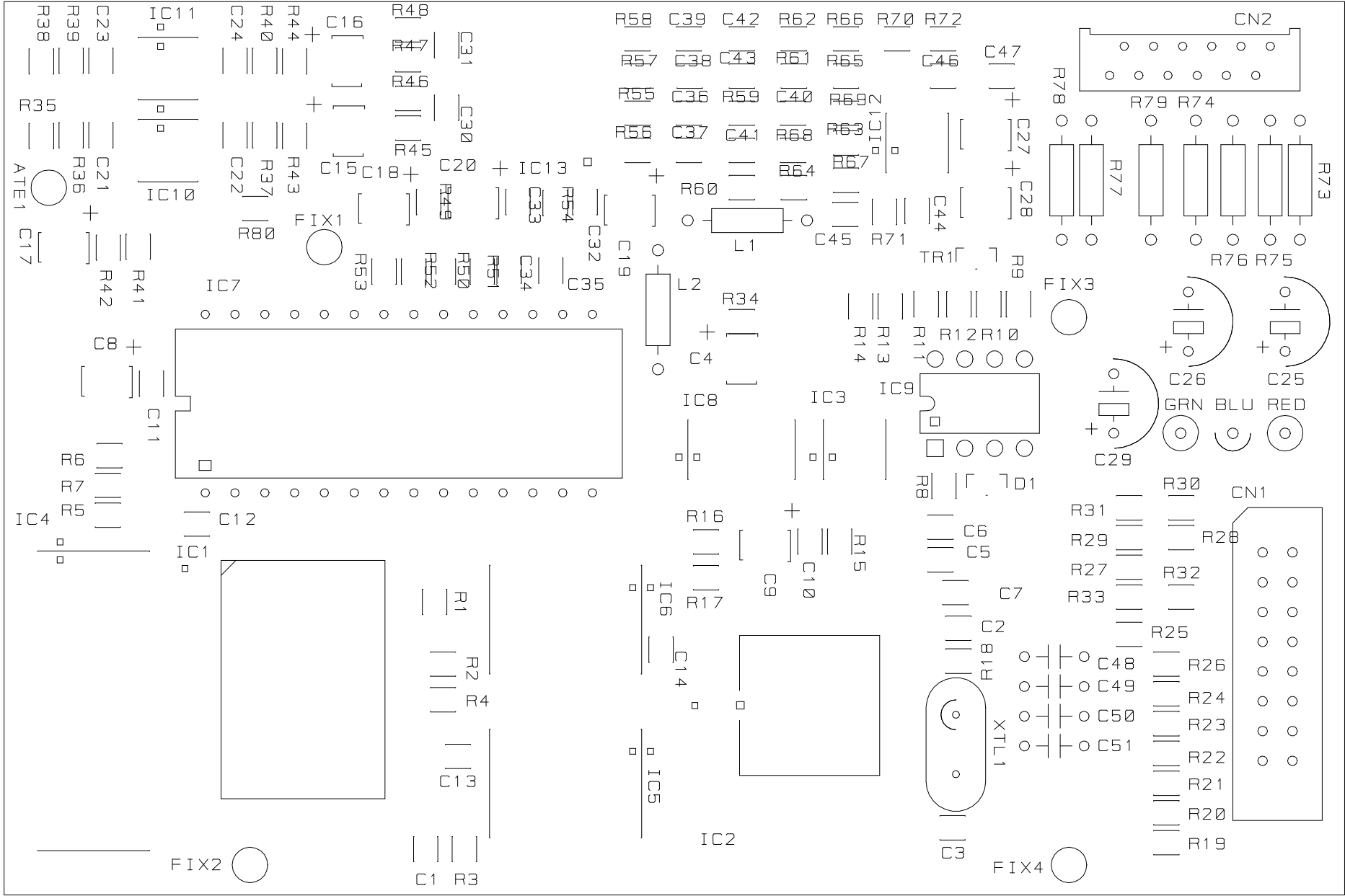
RIGHT BALANCED OUTPUT DRIVER
BALANCED OUTPUT TO CONNECTOR PCB



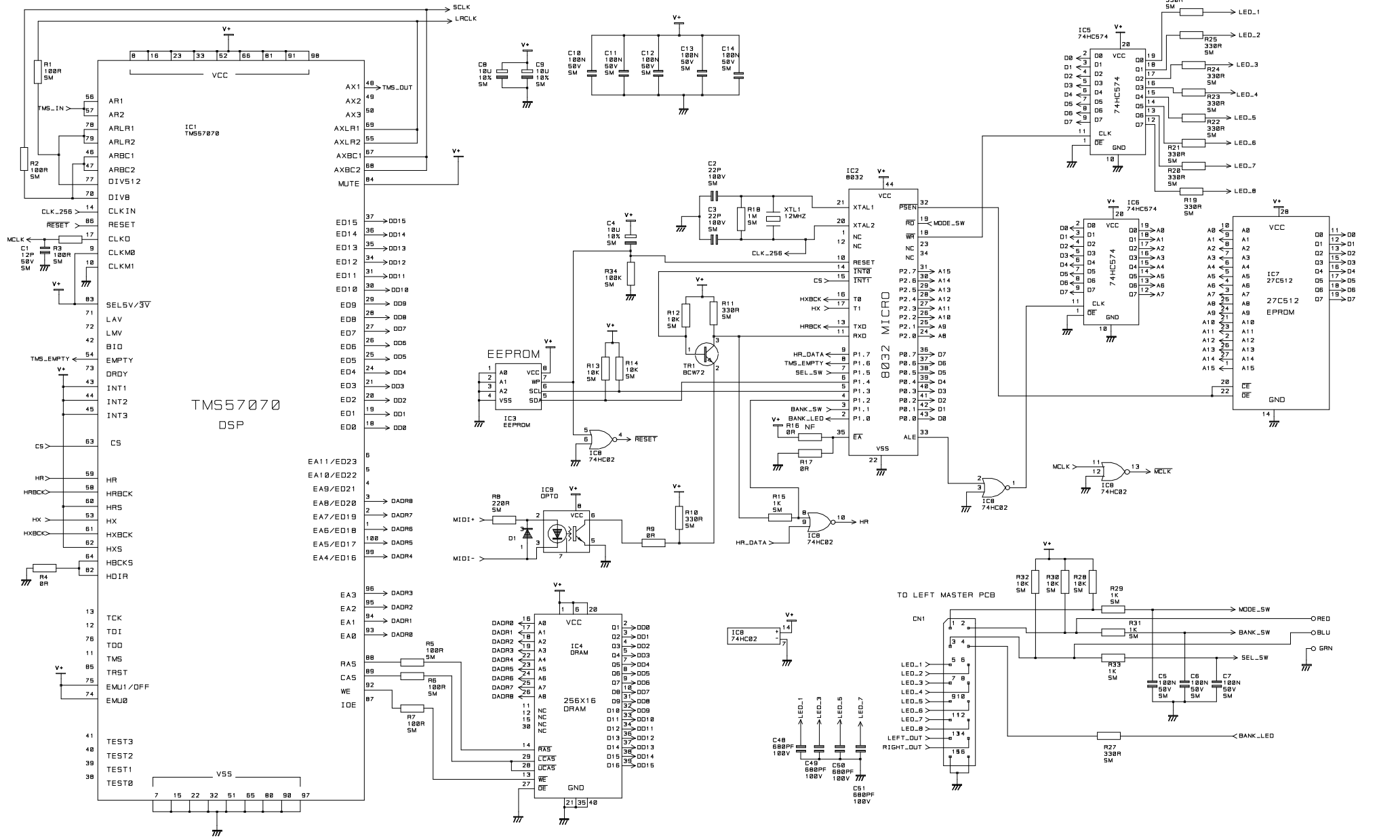
ISS.	REVISION	BY DATE	NOTES	UNIT TITLE	MANUFACTURED IN ENGLAND BY
1	PRODUCTION	ARJ 9-09-98	1. RESISTORS MARKED * ARE 1% ALL OTHERS ARE 5% 1/4W UNLESS OTHERWISE MARKED	2E2 RIGHT PCB	ALLEN & HEATH
2	UPDATES	ARJ 05-11-98	2. ELECTROLYTIC CAPACITORS ARE 10V/VOLTS	DRAWING TITLE	DRAWING No. C3381 ISSUE 2
				RIGHT PCB	AG3381



ISS.		REVISION		BY DATE		NOTES		UNIT TITLE		MANUFACTURED IN ENGLAND BY	
1		PRODUCTION		ARJ 9-09-98		1. RESISTORS MARKED * ARE 1% ALL OTHERS ARE SZ 1/4W UNLESS OTHERWISE MARKED		2E2 RIGHT PCB		ALLEN & HEATH	
2		UPDATES		ARJ 05-11-98		2. ELECTROLYTIC CAPACITORS ARE 7F/VOLTS		PAGE 2 OF 2		DRAWING No. C3381	
								DRAWING TITLE		ISSUE	
								RIGHT PCB		2	
								AG3381		A2	



INITIAL	ISSUE	DATE
MG	2.0	13-12-99

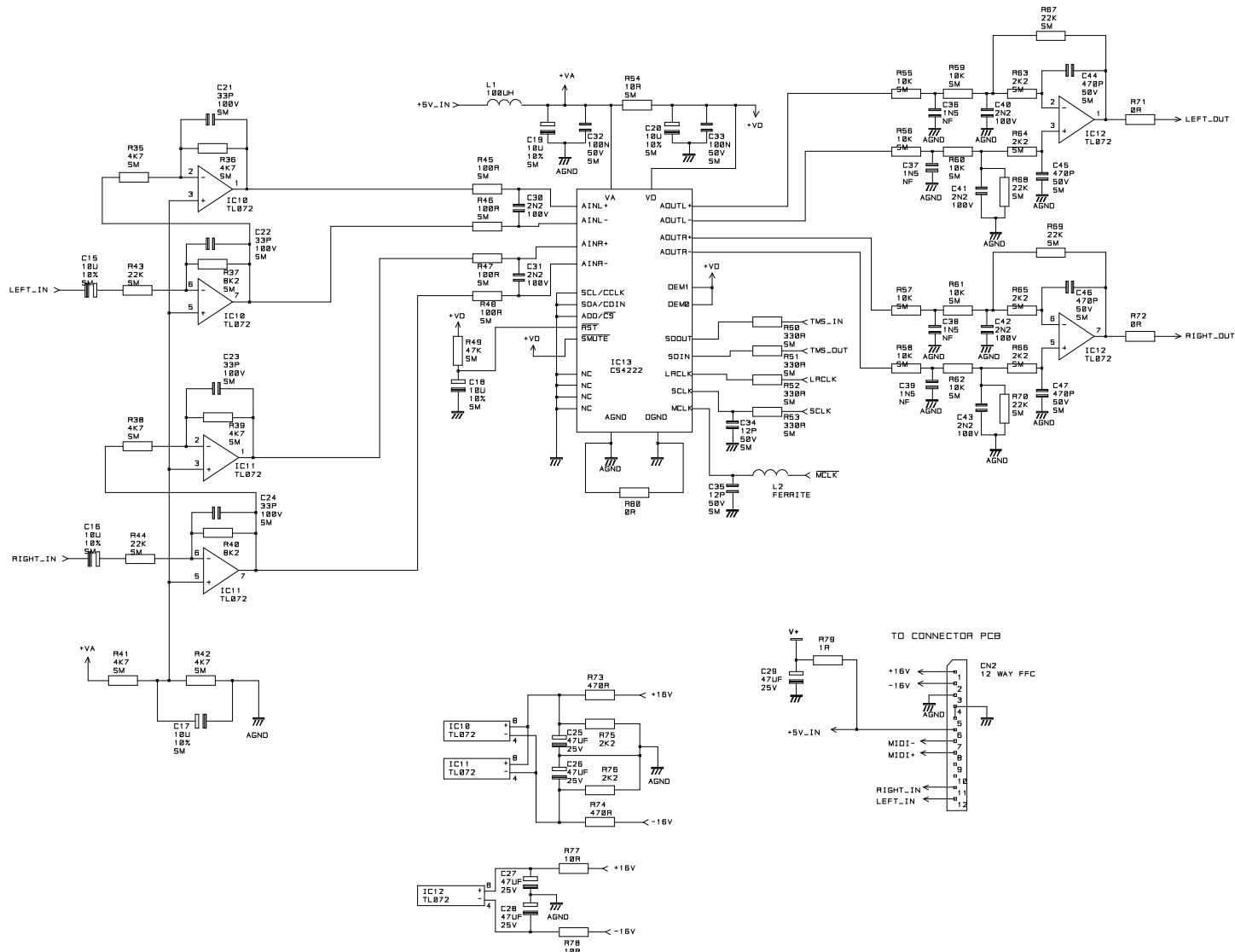


ALLEN & HEATH
 COPYRIGHT OF THIS DRAWING
 WHICH IS NOT TO BE COPIED,
 REPRODUCED OR DISCLOSED, IN PART
 OR IN WHOLE TO A THIRD PARTY
 WITHOUT WRITTEN PERMISSION.

NOTES

DRN. MIKE GRIFFIN
 ALLEN & HEATH
 HARMAN INT. INDUSTRIES LTD.
 KERNICK INDUSTRIAL EST
 PENRYN
 CORNWALL
 TR10 9LU
 TEL: 01326 372070
 FAX: 01326 377097

TITLE
 WZ2 EFFECTS
 PROCESSOR PCB
 DRG NO. AG3460
 SH. 1 OF 2



ALLEN & HEATH
 COPYRIGHT OF THIS DRAWING
 WHICH IS NOT TO BE COPIED,
 REPRODUCED OR DISCLOSED, IN PART
 OR IN WHOLE TO A THIRD PARTY
 WITHOUT WRITTEN PERMISSION.

NOTES

DRN. MG

ALLEN & HEATH
 HARMAN INT. INDUSTRIES LTD.
 KERNICK INDUSTRIAL EST
 PENRYN
 CORNWALL
 TR10 9LU
 TEL: 01326 372070
 FAX: 01326 377097

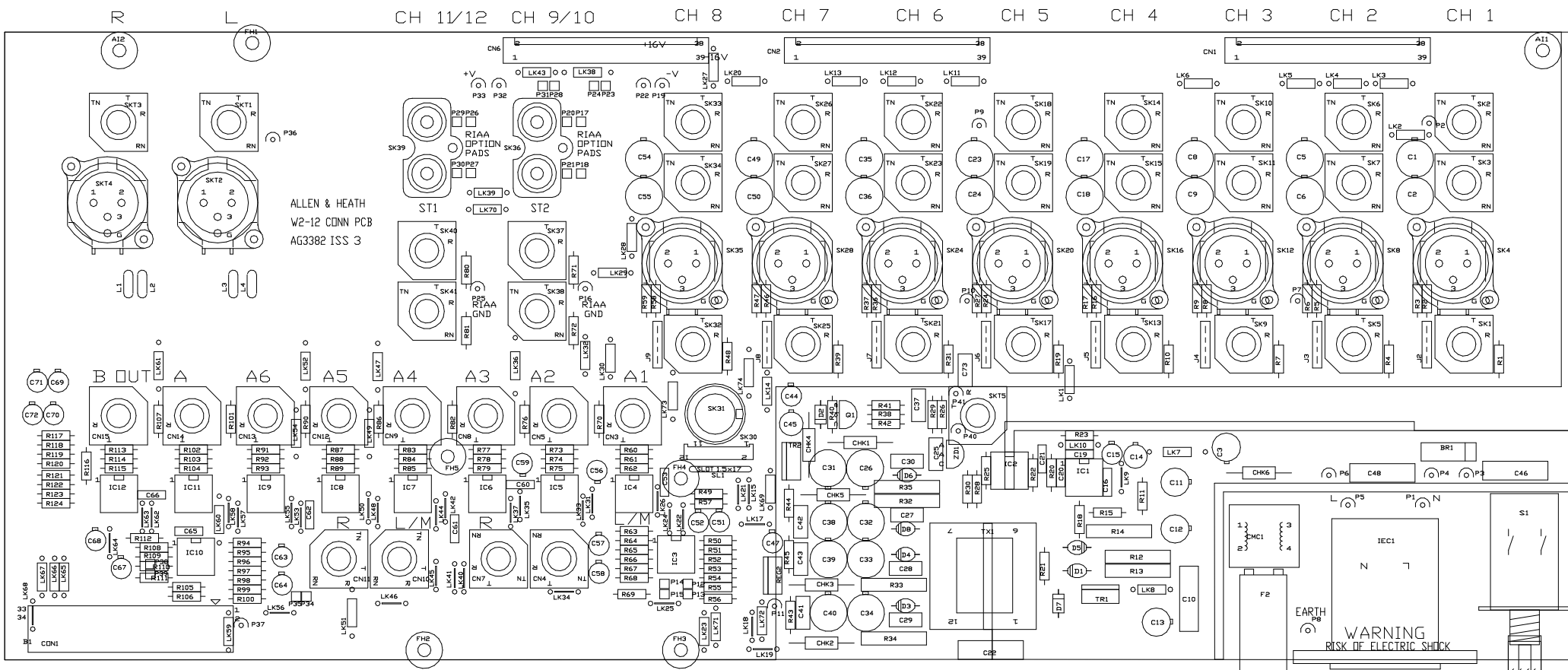
TITLE
 W22 EFFECTS
 PROCESSOR PCB

DRG NO. AG3460

OUT INSERT

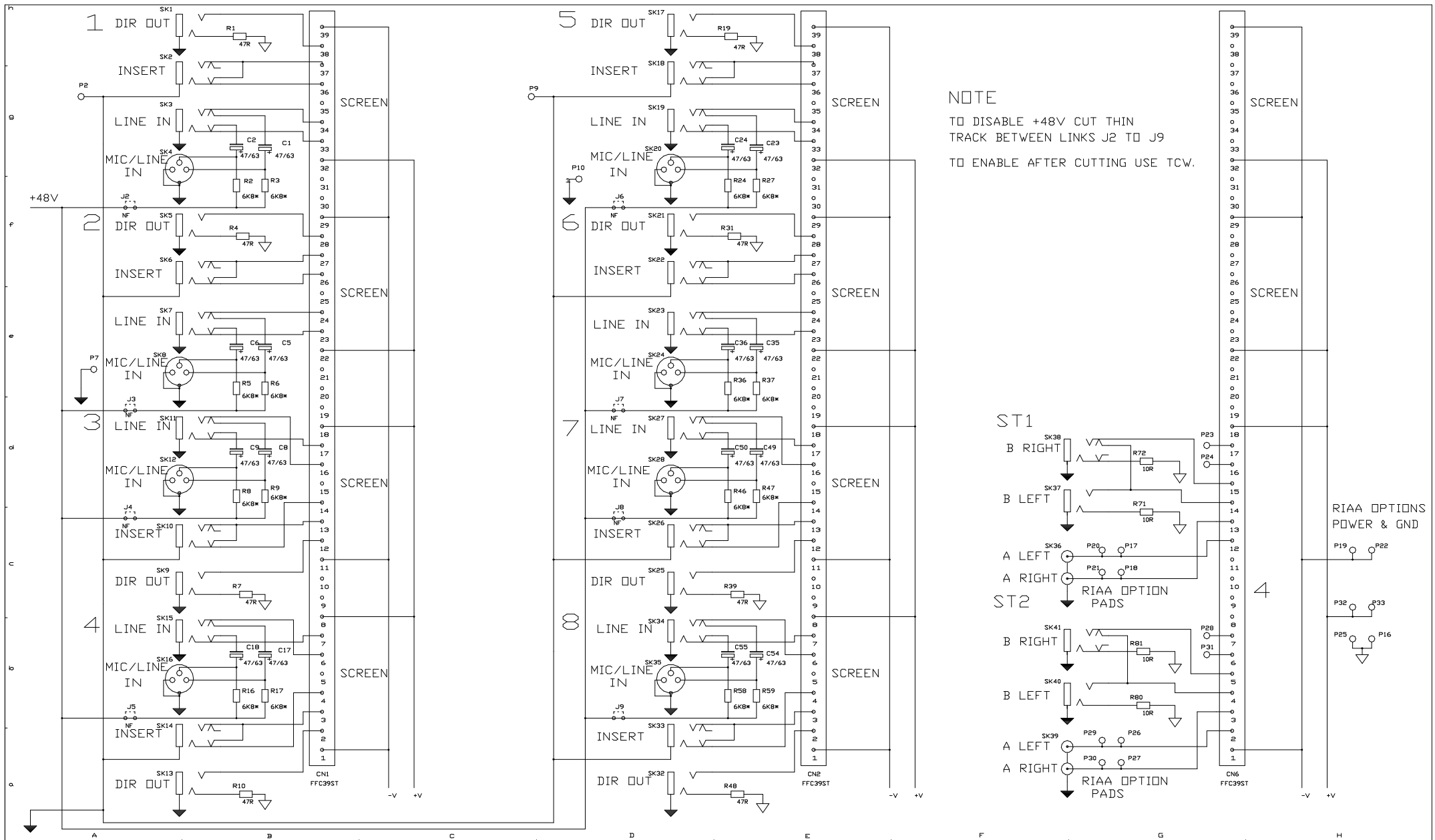
IN INSERT

DIR OUT

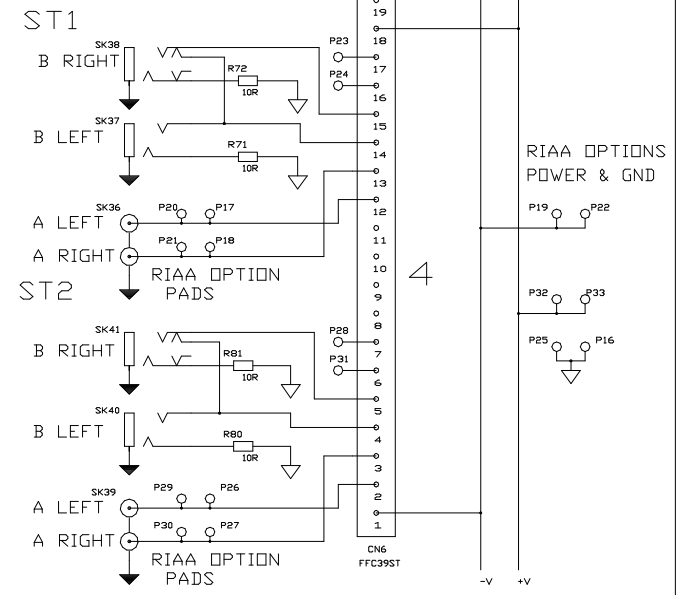


ALLEN & HEATH
W2-12 CONN PCB
AG3382 ISS 3

WARNING
RISK OF ELECTRIC SHOCK



NOTE
 TO DISABLE +48V CUT THIN TRACK BETWEEN LINKS J2 TO J9
 TO ENABLE AFTER CUTTING USE TCW.



ISS	REVISION	BY	DATE	NOTES
A	ORIGIN	DRP	13-7-98	
1	PRODUCTION	DRP	4-9-98	
2	ECN	DRP	30-9-98	
3	CAP & CHOKE ADDED	AAT02	02-99	
3.1	NOISE IMPROVEMENTS	DWD10	09-99	
3.2	PSU NOISE MOD.	DWD09	11-99	

1. RESISTORS MARKED * ARE 1%
 ALL OTHERS ARE 5% 1/4W UNLESS OTHERWISE MARKED

2. ELECTROLYTIC CAPACITORS ARE 10V/VOLTS

UNIT TITLE
 W2-12

DRAWING TITLE
 CIRCUIT DIAGRAM
 CONNECTOR PCB

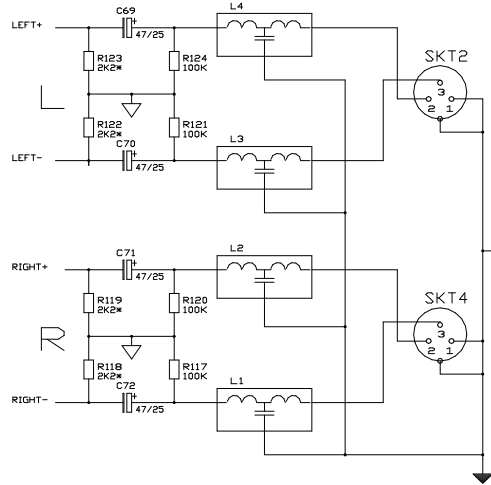
ALLEN & HEATH
 KERNICK INDUSTRIAL ESTATE
 PENRYN
 CORNWALL
 ENGLAND TR10 9LU

TEL: (44) (0) 1326 372070
 FAX: (44) (0) 1326 377097

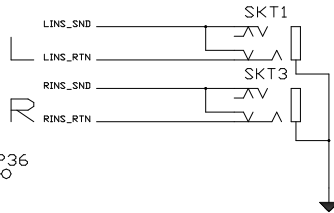
ALLEN & HEATH A DIVISION OF HARMAN INTERNATIONAL INDUSTRIES LIMITED

DRAWING No. C3382 ISSUE 3.2 A2

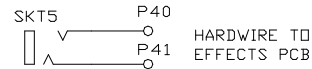
L & R BALANCED OUTPUT



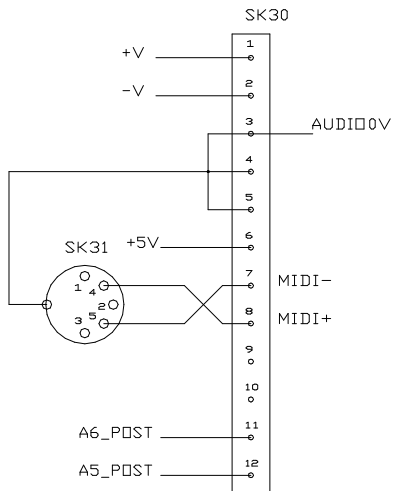
L & R INSERT



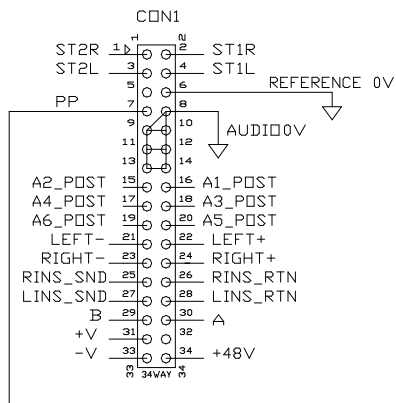
FOOTSWITCH EFFECTS UNIT



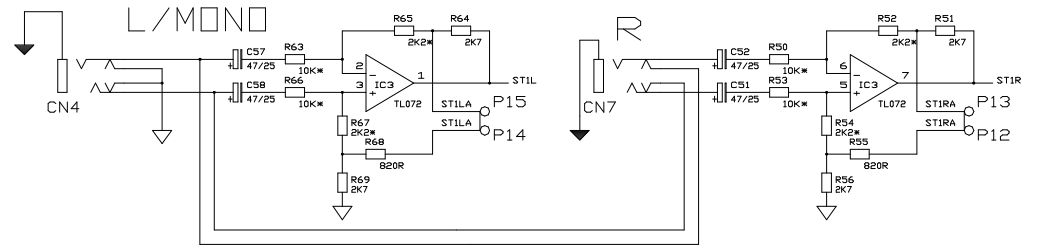
FFC TO EFFECTS PCB



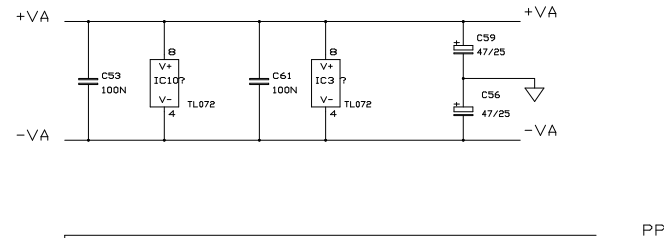
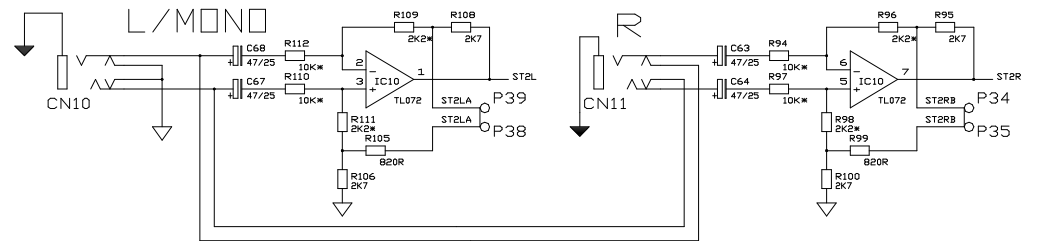
MASTER SECTION 34 WAY IDC



STEREO IN 1



STEREO IN 2



FROM PAGE 4

ISS.	REVISION	BY	DATE
A	ORIGIN	DRP	13-7-98
1	PRODUCTION	DRP	4-9-98
2	ECN	DRP	30-9-98
3	CAP & CHOKE ADDED	AAT02	02-99
3.1	NOISE IMPROVEMENTS	DWD10	09-99
3.2	PSU NOISE MOD.	DWD09	11-99

NOTES
1. RESISTORS MARKED * ARE 1% ALL OTHERS ARE 5% 1/4W UNLESS OTHERWISE MARKED
2. ELECTROLYTIC CAPACITORS ARE 10% TOLERANCE

UNIT TITLE	W2-12
DRAWING TITLE	CIRCUIT DIAGRAM CONNECTOR PCB

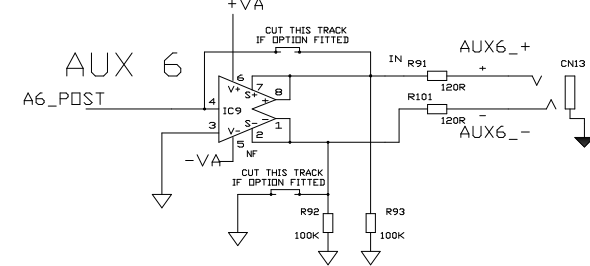
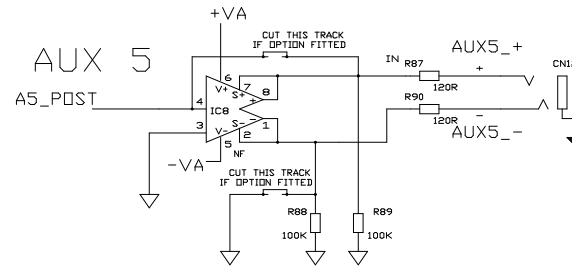
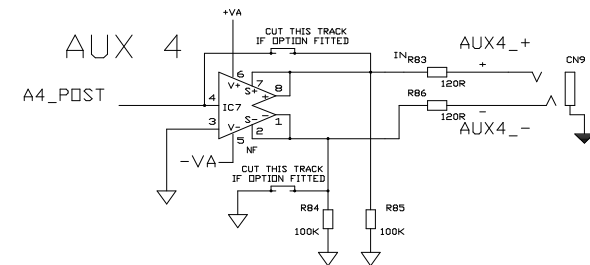
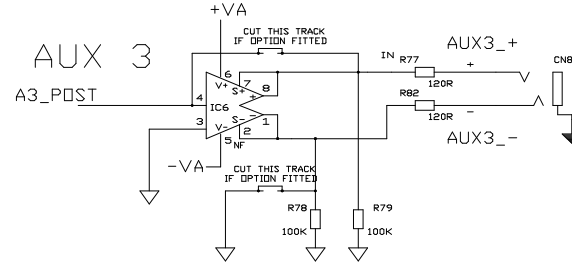
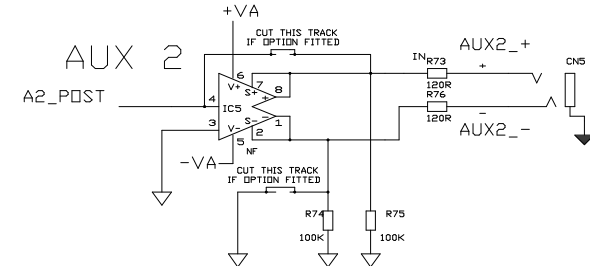
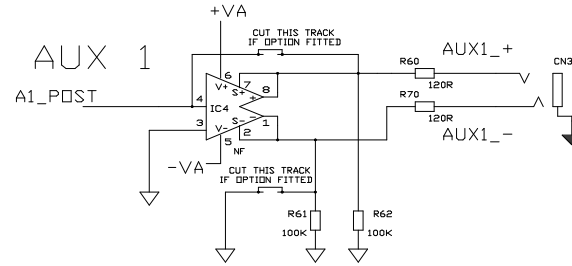
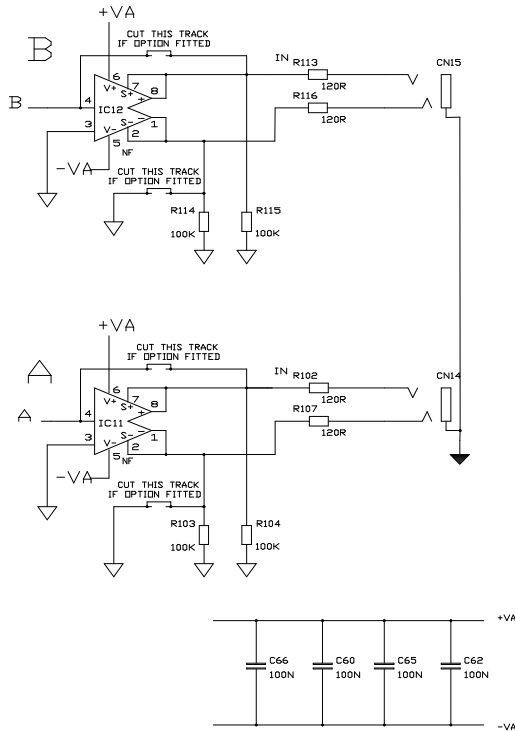
ALLEN & HEATH KERNICK INDUSTRIAL ESTATE PENRYN CORNWALL ENGLAND TR10 9LU ALLEN & HEATH A DIVISION OF HARMAN INTERNATIONAL INDUSTRIES LIMITED	TEL: (44) (0) 1326 378070 FAX: (44) (0) 1326 377097
DRAWING No.	C3382
ISSUE	3.2 A2

AUX OUT 1-6

BALANCED OUTPUT OPTION.
FOR BALANCED OPTION FIT SSM2142
INTO SOCKETS IN POSITIONS
IC4 TO IC9, IC11 & IC12

NOTE: CUT TRACK AS NOTED IN 16
POSITIONS

A & B OUT



ISS.	REVISION	BY	DATE	NOTES
1	ORIGIN	DRP	13-7-98	
2	PRODUCTION	DRP	4-9-98	
3	ECN	DRP	30-9-98	
3.1	CAP & CHOKE ADDED	AAT02	02-99	
3.1	NOISE IMPROVEMENTS	DWD10	09-99	
3.2	PSU NOISE MOD.	DWD09	11-99	

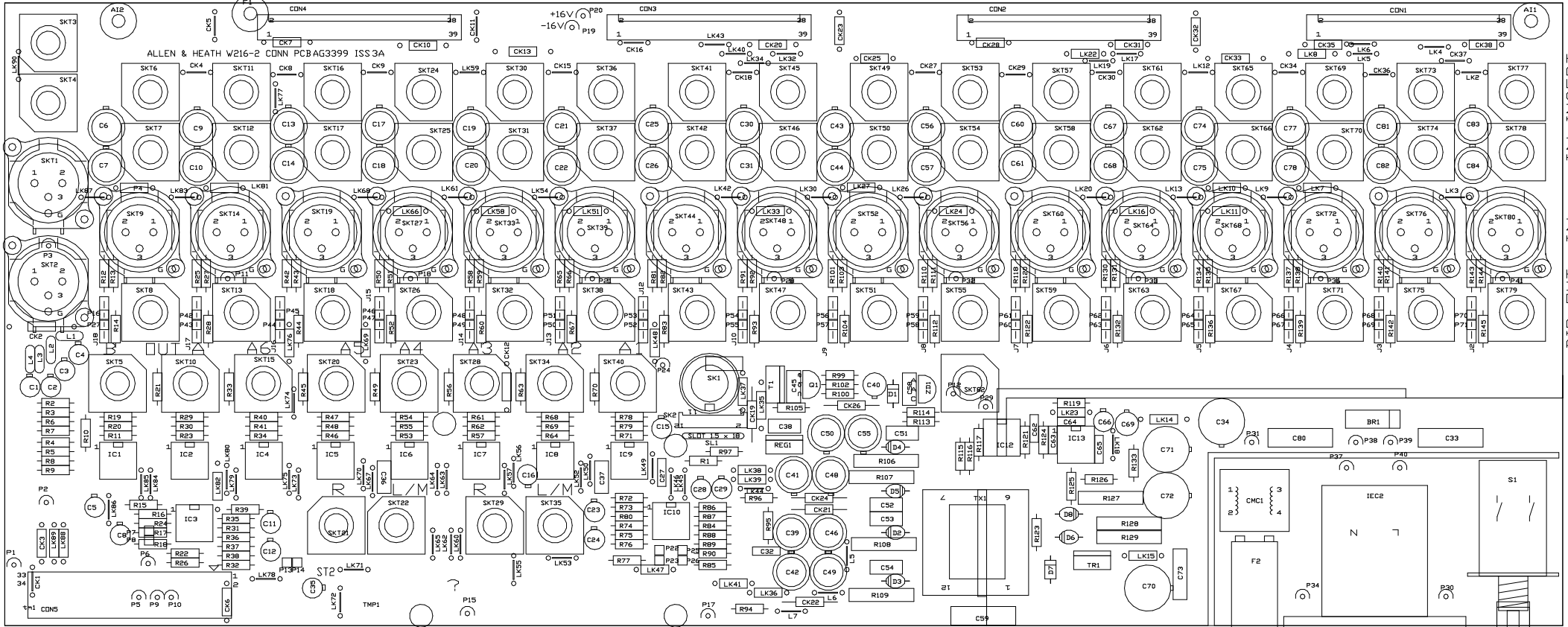
ISS.	REVISION	BY	DATE	NOTES
1	RESISTORS MARKED * ARE 1%			
	ALL OTHERS ARE 5% 1/4W UNLESS OTHERWISE MARKED			
2	ELECTROLYTIC CAPACITORS ARE 10V/VOLTS			

UNIT TITLE	W2-12
DRAWING TITLE	CIRCUIT DIAGRAM CONNECTOR PCB

ALLEN & HEATH KERNICK INDUSTRIAL ESTATE PENRYN CORNWALL ENGLAND TR10 9LU ALLEN & HEATH A DIVISION OF HARMAN INTERNATIONAL INDUSTRIES LIMITED	TEL: (44) (0) 1326 372070 FAX: (44) (0) 1326 377097
DRAWING No.	C3382
ISSUE	3.2 A2

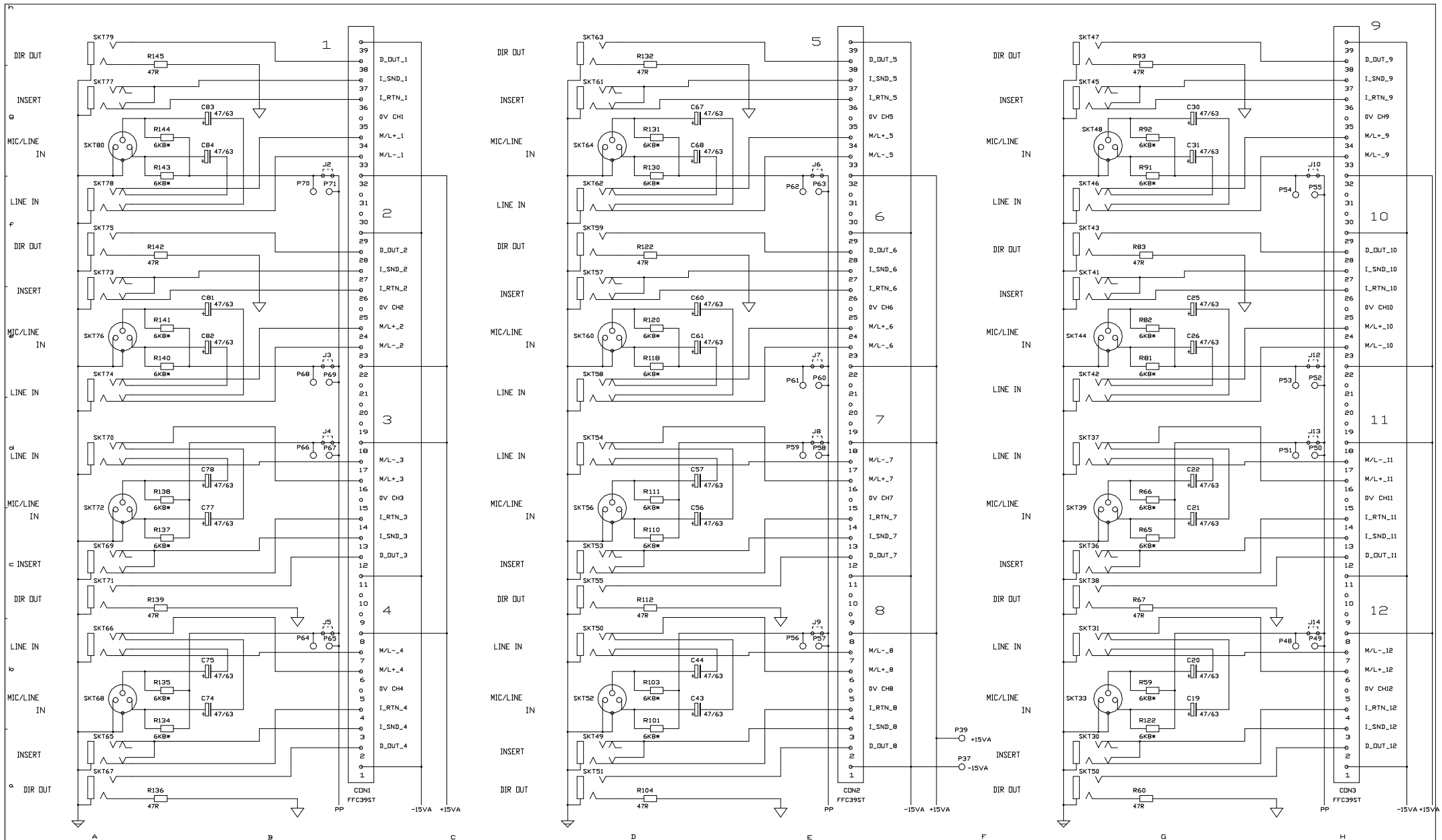
CH 16 CH 15 CH 14 CH 13 CH 12 CH 11 CH 10 CH 9 CH 8 CH 7 CH 6 CH 5 CH 4 CH 3 CH 2 CH 1

ALLEN & HEATH W216-2 CDNN PCBAG3399 ISS 3A



OUT

IN INSERT



ISS	REVISION	BY DATE	NOTES
1	PRODUCTION	ARJ 9-09-98	1. RESISTORS MARKED * ARE 1% ALL OTHERS ARE SZ 1/4W UNLESS OTHERWISE MARKED
2	PSU MODS	AAT05-10-98	
3	CHOKES ADDED	ARJ 05-02-99	
3.1	FILTER IEC	DWD 8-10-99	
3.2	PSU NOISE MODS.	DWD 9-11-99	2. ELECTROLYTIC CAPACITORS ARE 1%VOLT

UNIT TITLE
W216-2

DRAWING TITLE
CIRCUIT DIAGRAM
CONNECTOR PCB

PAGE

ALLEN & HEATH
KERNICK INDUSTRIAL ESTATE
PENRYN
CORNWALL
ENGLAND TRIO 9LU
ALLEN & HEATH A DIVISION OF HARMAN INTERNATIONAL INDUSTRIES LIMITED

DRAWING No. C3399 ISSUE 3.2 A2

TEL. (44) (0) 1326 372070
FAX. (44) (0) 1326 377097

ALLEN & HEATH
KERNICK INDUSTRIAL ESTATE
PENRYN
CORNWALL
ENGLAND TRIO 9LU
ALLEN & HEATH A DIVISION OF HARMAN INTERNATIONAL INDUSTRIES LIMITED

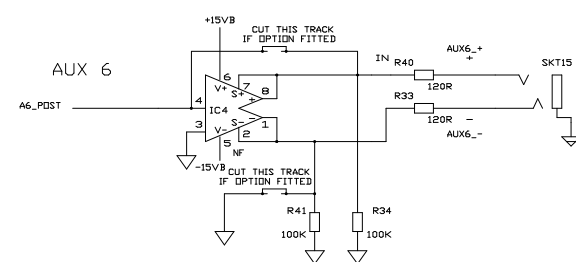
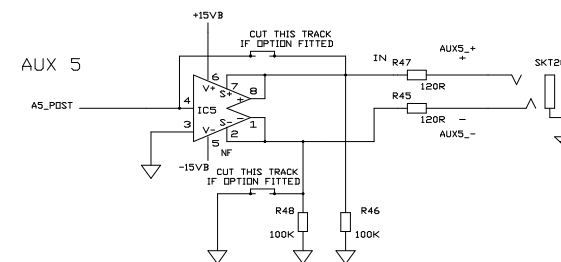
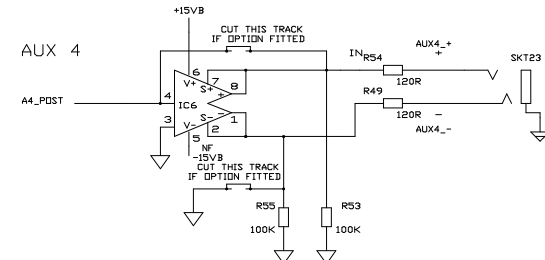
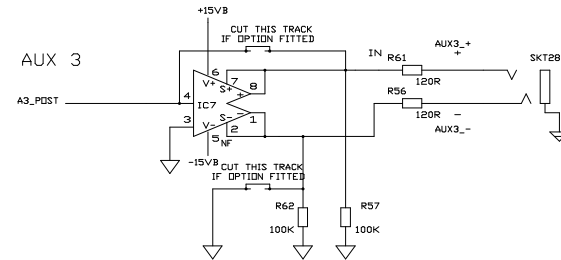
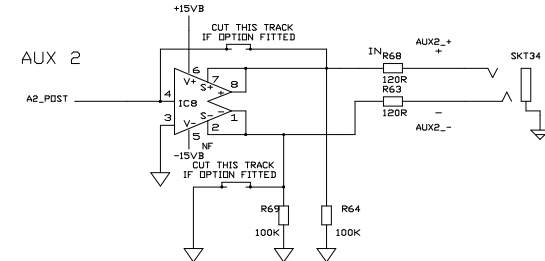
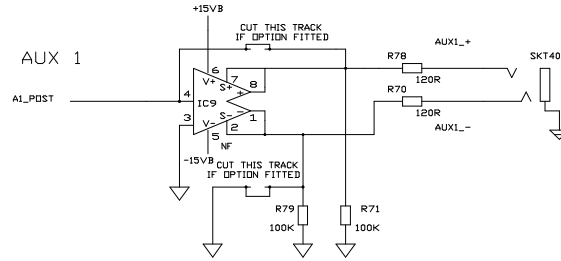
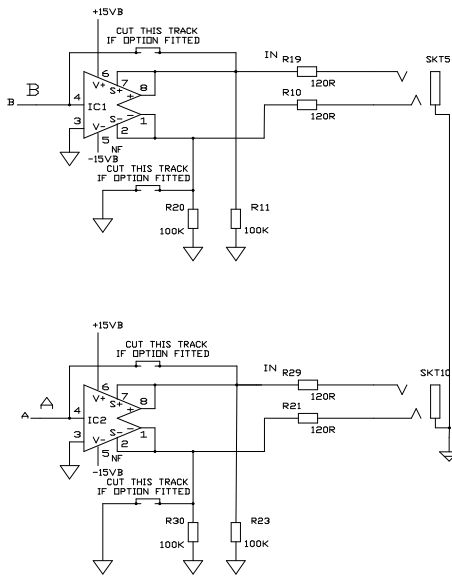
DRAWING No. C3399 ISSUE 3.2 A2

TEL. (44) (0) 1326 372070
FAX. (44) (0) 1326 377097

AUX OUT 1-6

BALANCED OUTPUT OPTION.
 FOR BALANCED OPTION FIT SSM2142
 INTO POSITIONS IC311,321,331,341,
 351,361,371 AND 381.
 NOTE/CUT TRACK AS NOTED IN 16
 POSITIONS

A & B OUT



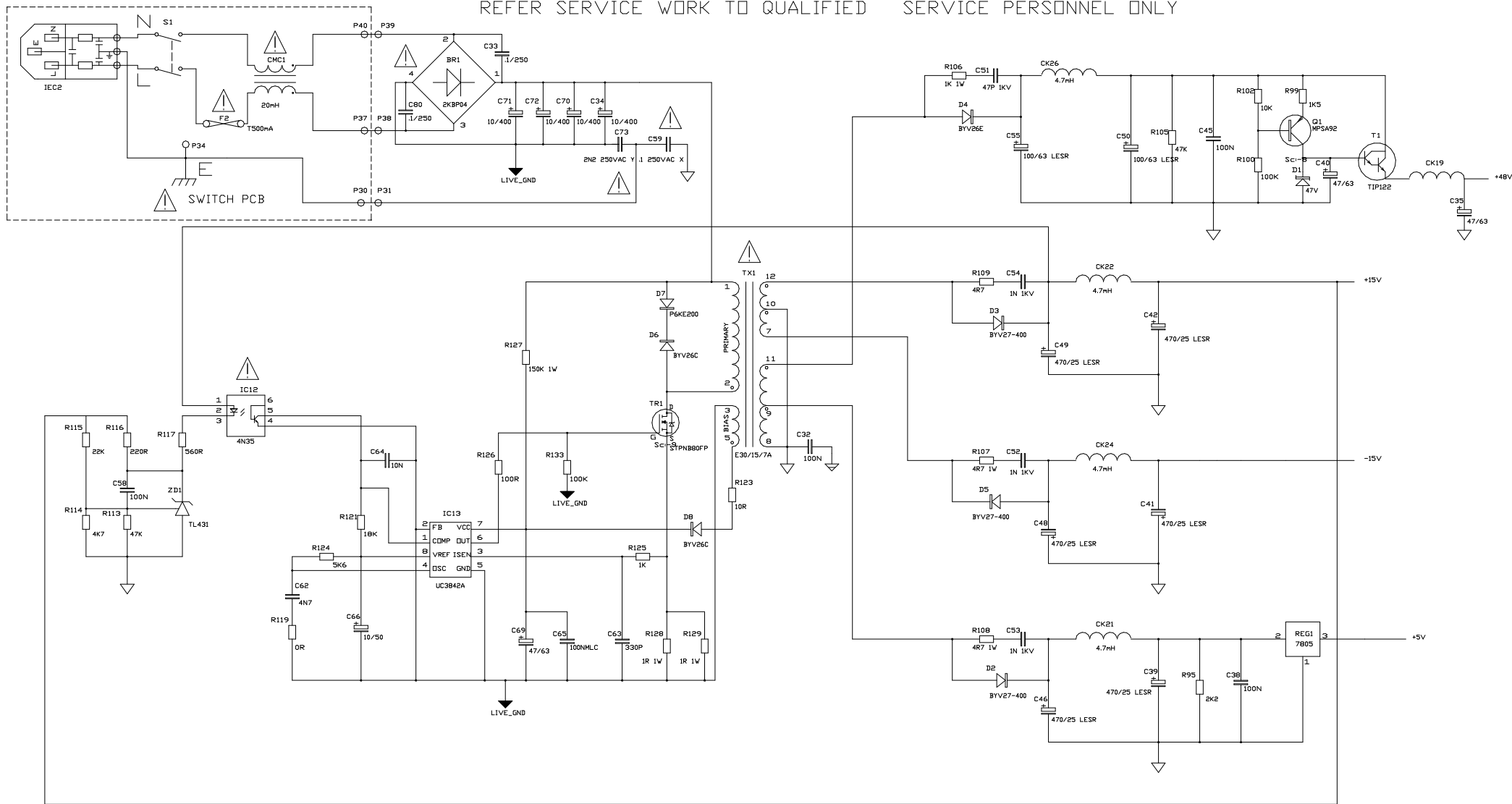
ISS.	REVISION	BY DATE
1	PRODUCTION	ARJ 9-09-98
2	PSU MODS	AAT05-10-98
3	CHOKO ADDED	ARJ 05-02-99
3.1	FILTER IEC	DwD 8-10-99
3.2	PSU NOISE MODS.	DwD 9-11-99

NOTES
1. RESISTORS MARKED * ARE 1% ALL OTHERS ARE SZ 1/4W UNLESS OTHERWISE MARKED
2. ELECTROLYTIC CAPACITORS ARE 25V/VOLTS

UNIT TITLE	W216-2
DRAWING TITLE	CIRCUIT DIAGRAM CONNECTOR PCB

ALLEN & HEATH KERNICK INDUSTRIAL ESTATE PENRYN CORNWALL ENGLAND TR10 9LU	TEL. (44) (0) 1326 372070 FAX. (44) (0) 1326 377097
ALLEN & HEATH A DIVISION OF HARMAN INTERNATIONAL INDUSTRIES LIMITED	
DRAWING No.	C3399
ISSUE	3.2

DANGER - HIGH VOLTAGE
 DISCONNECT POWER BEFORE REMOVING PSU
 REFER SERVICE WORK TO QUALIFIED SERVICE PERSONNEL ONLY



ISS.	REVISION	BY DATE
1	PRODUCTION	ARJ 9-09-98
2	PSU MODS	AAT05-10-98
3	CHOKE ADDED	ARJ 05-02-99
3.1	FILTER IEC	DWD 8-10-99
3.2	PSU NOISE MODS.	DWD 9-11-99

NOTES
1. RESISTORS MARKED * ARE 1% ALL OTHERS ARE SZ 1/4W UNLESS OTHERWISE MARKED
2. ELECTROLYTIC CAPACITORS ARE 2%VOLTS

UNIT TITLE	W216-2
DRAWING TITLE	CIRCUIT DIAGRAM CONNECTOR PCB
	PAGE 4 OF 4

ALLEN & HEATH KERNICK INDUSTRIAL ESTATE PENRYN CORNWALL ENGLAND TR10 9LU	TEL: (44) (0) 1326 372070 FAX: (44) (0) 1326 377097
ALLEN & HEATH A DIVISION OF HARMAN INTERNATIONAL INDUSTRIES LIMITED	
DRAWING No.	C3399
ISSUE	3.2