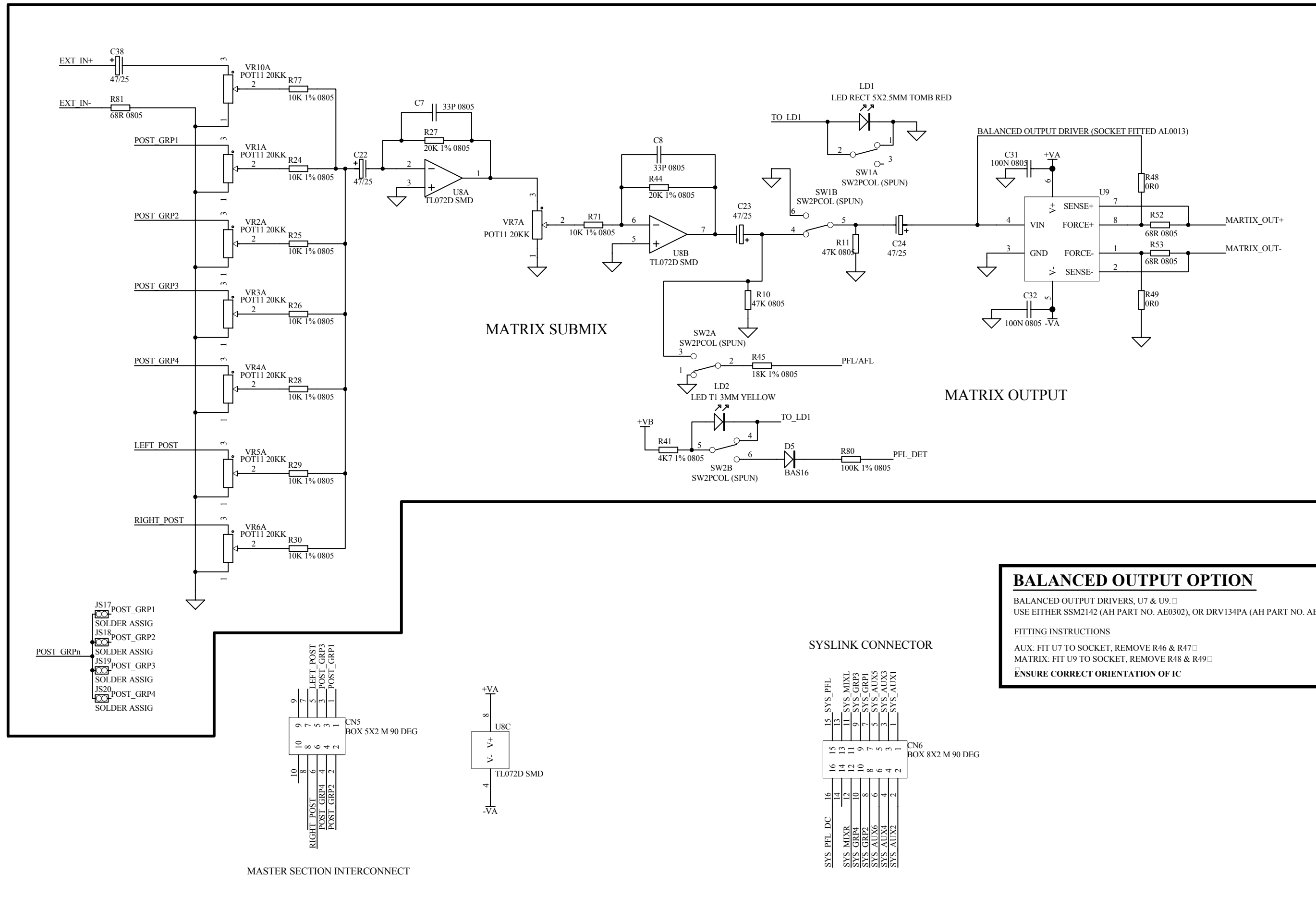


ALLEN&HEATH
 Kernick Industrial Estate,
 Penryn, Cornwall,
 England. TR10 9LU
 Tel: +44 (0)8707 556250
 Fax: +44 (0)8707 556251

ISSUE	BY	DATE	CHK BY
A	MG	7-7-03	
A.1	AAT	16-06-04	XXX
1	MG	25-8-04	
2	MG	23-9-04	KV

FILE: AG5824_2P1.Sch
 PRINTED: 15:22:12 6-Dec-2004

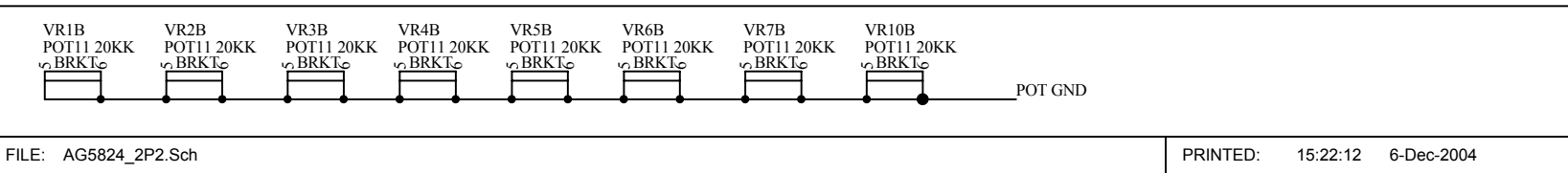
TITLE: **GL2400 GROUP PCB**
 PAGE:
 DRG No: 5824 ISSUE: 2 SHEET: 1 OF 2



BALANCED OUTPUT OPTION
 BALANCED OUTPUT DRIVERS, U7 & U9. □
 USE EITHER SSM2142 (AH PART NO. AE0302), OR DRV134PA (AH PART NO. AE5725).
FITTING INSTRUCTIONS
 AUX: FIT U7 TO SOCKET, REMOVE R46 & R47 □
 MATRIX: FIT U9 TO SOCKET, REMOVE R48 & R49 □
 ENSURE CORRECT ORIENTATION OF IC

ALLEN&HEATH
 Kernick Industrial Estate,
 Penryn, Cornwall,
 England. TR10 9LU
 Tel: +44 (0)8707 556250
 Fax: +44 (0)8707 556251

ISSUE	BY	DATE	CHK BY
A	MG	7-7-03	XXX
1	AAT	16-06-04	MG
2	MG	25-8-04	MG
		23-9-04	KV



TITLE: **GL2400 GROUP PCB**
 PAGE:
 DRG No: **5824** ISSUE: **2** SHEET: **2 OF 2**

