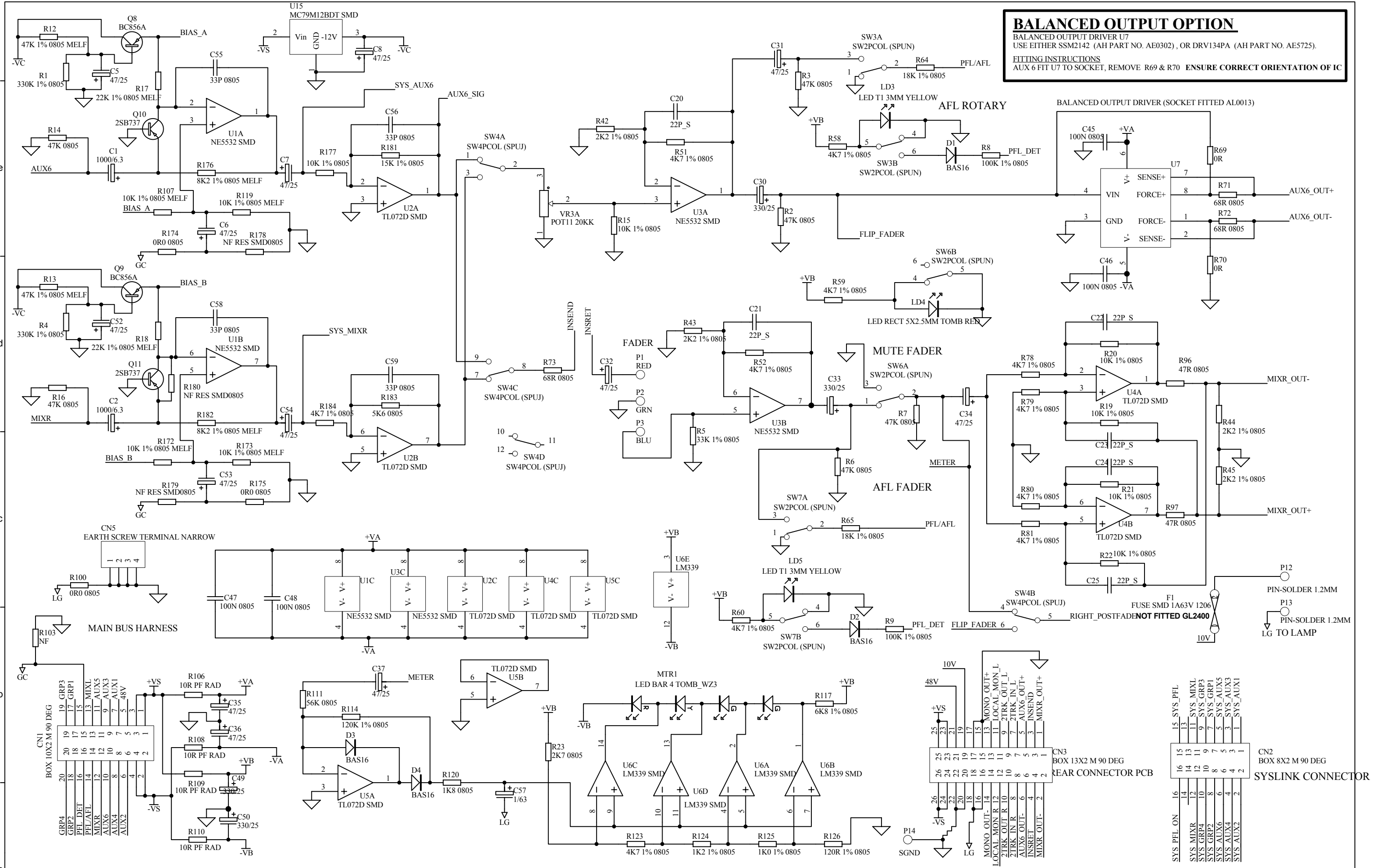


BALANCED OUTPUT OPTION
 BALANCED OUTPUT DRIVER U7
 USE EITHER SSM2142 (AH PART NO. AE0302), OR DRV134PA (AH PART NO. AE5725).
 FITTING INSTRUCTIONS
 AUX 6 FIT U7 TO SOCKET, REMOVE R69 & R70 ENSURE CORRECT ORIENTATION OF IC



ALLEN&HEATH
 Kernick Industrial Estate,
 Penryn, Cornwall,
 England. TR10 9LU
 Tel: +44 (0)8707 556250
 Fax: +44 (0)8707 556251

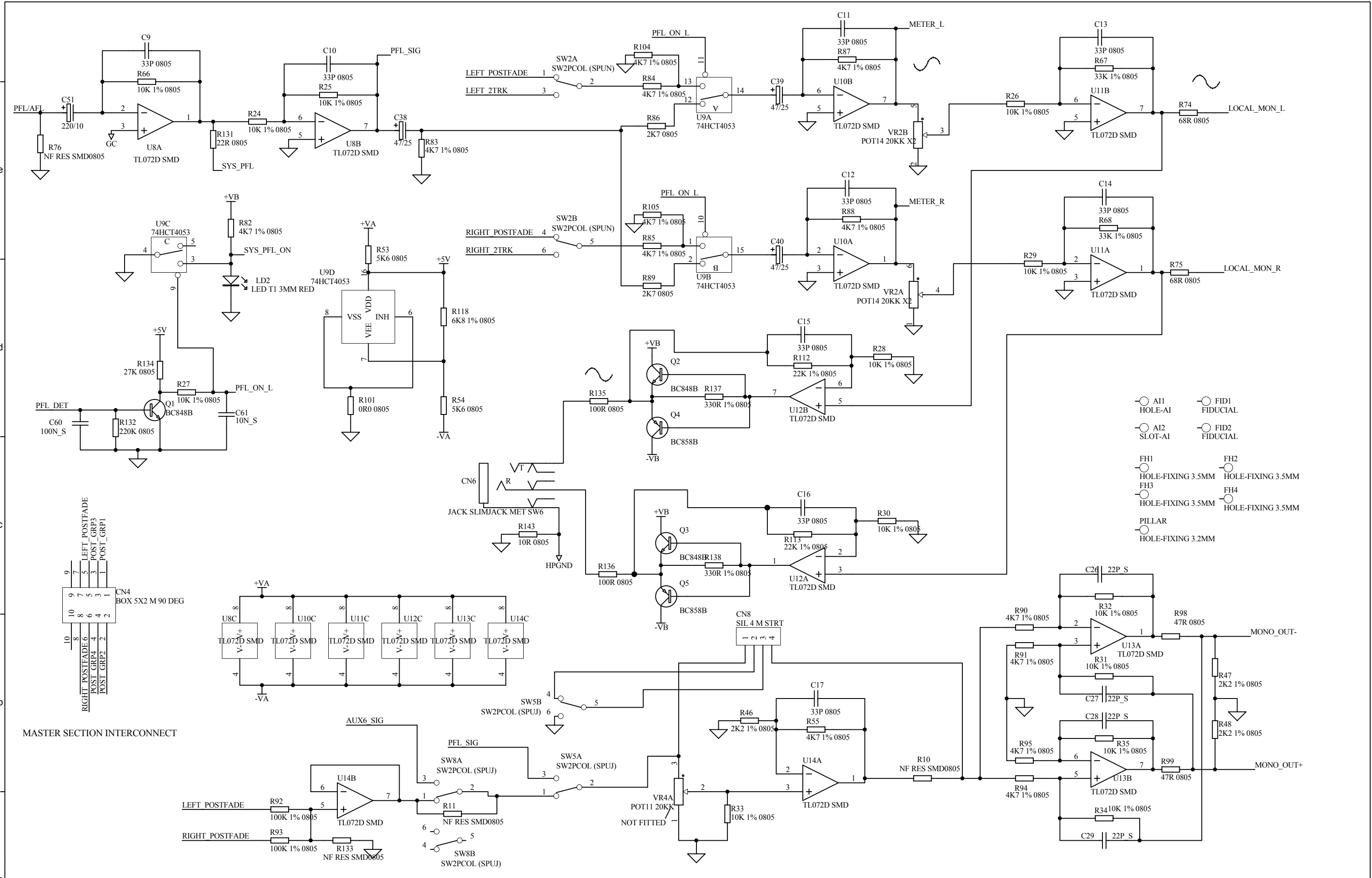
ISSUE	BY	DATE	CHK BY
1	MG	27-8-04	
2	MG	24-9-04	KV
2.1	AAT	21-12-04	

VR3B
 POT11.20KK
 BRKT

FILE: C5929_2.1P1.Sch

PRINTED: 10:20:32 19-Apr-2005

TITLE: **GL2400 RIGHT PCB**
 PAGE:
 DRG No: C5929 ISSUE: 2.1 SHEET: 1 OF 3



- A11 HOLE-AI
- A12 SLOT-AI
- FID1 FIDUCIAL
- FID2 FIDUCIAL
- FH1 HOLE-FIXING 3.5MM
- FH2 HOLE-FIXING 3.5MM
- FH3 HOLE-FIXING 3.5MM
- FH4 HOLE-FIXING 3.5MM
- PILLAR HOLE-FIXING 3.2MM

ALLEN&HEATH
 Kernick Industrial Estate,
 Penryn, Cornwall,
 England. TR10 9LU
 Tel: +44 (0)8707 556250
 Fax: +44 (0)8707 556251

ISSUE	BY	DATE	CHK BY
1	MG	27-8-04	
2	MG	24-9-04	KV
2.1	AAT	21-12-04	

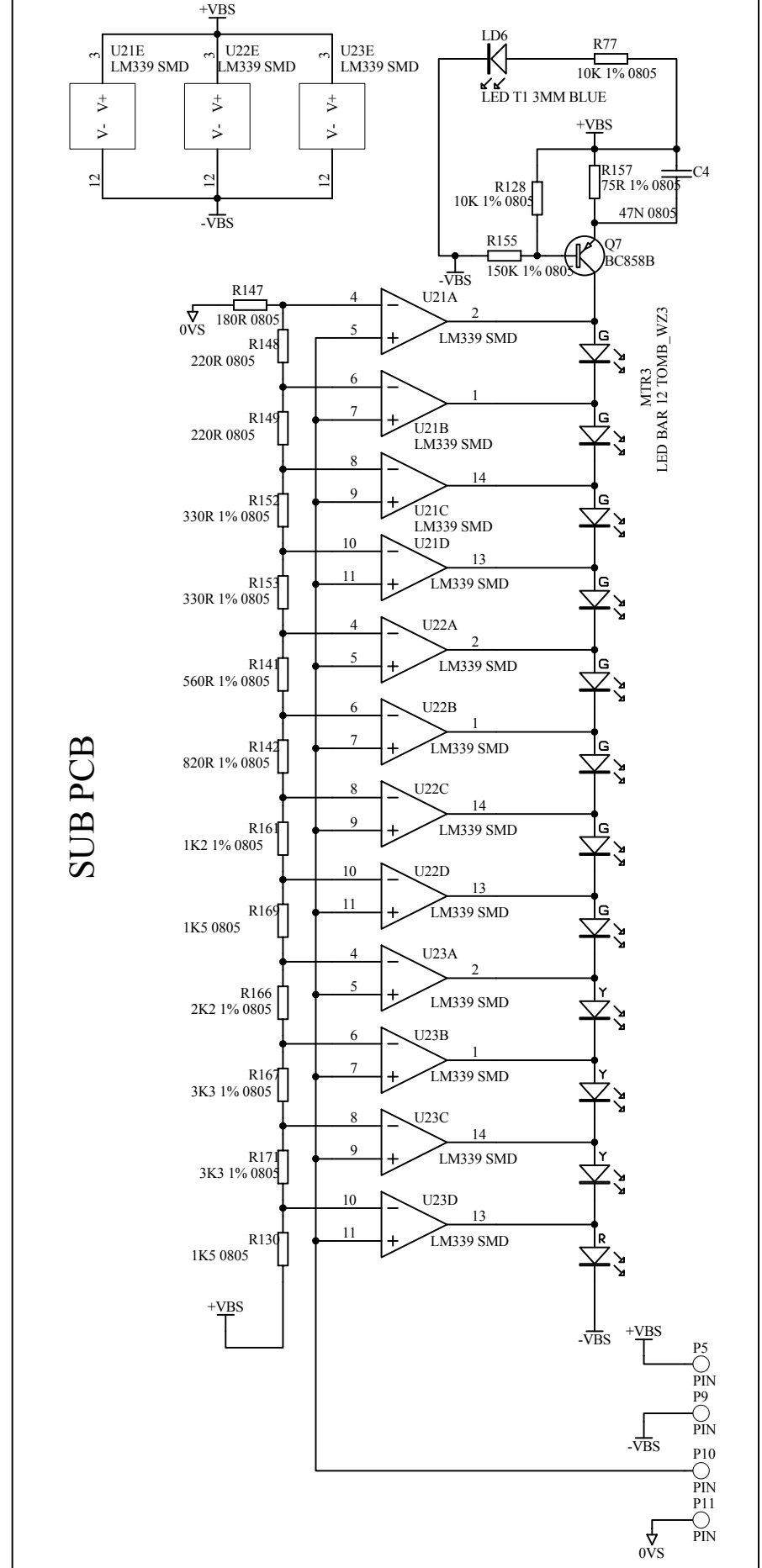
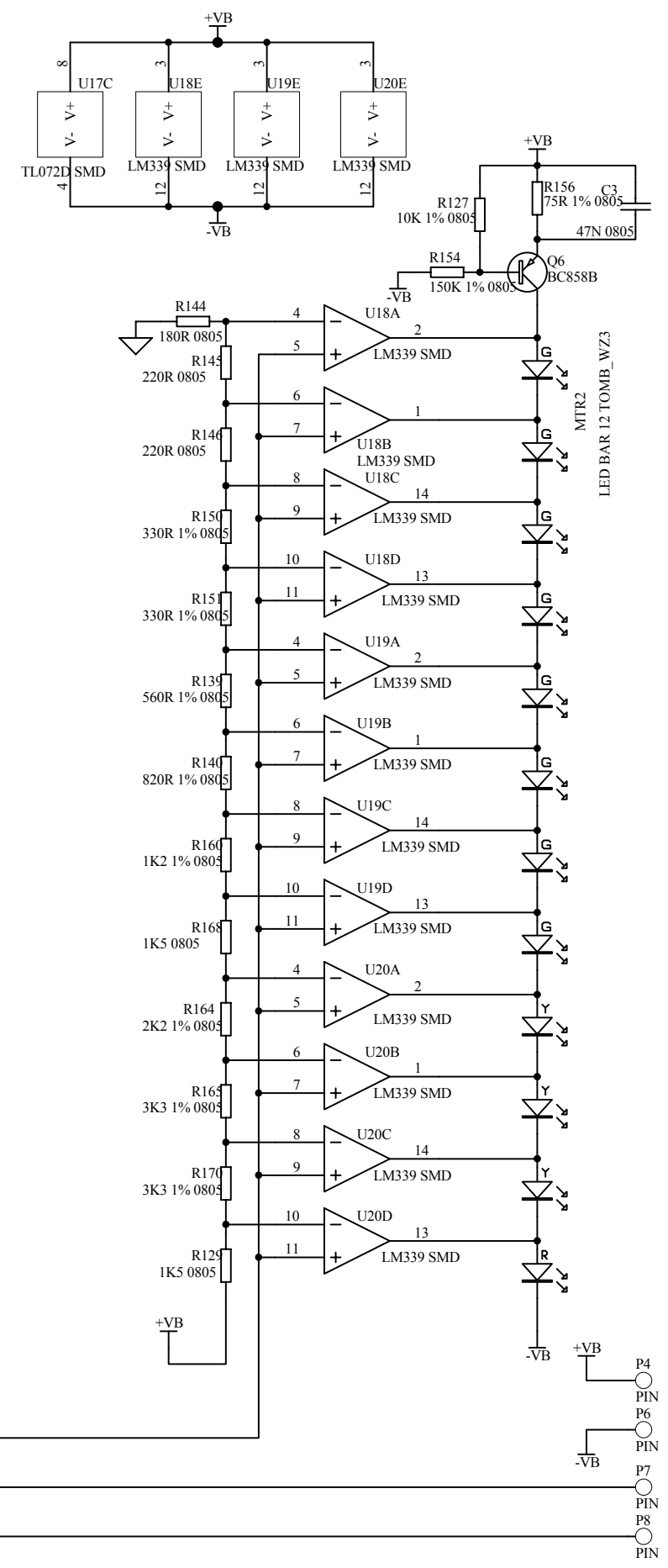
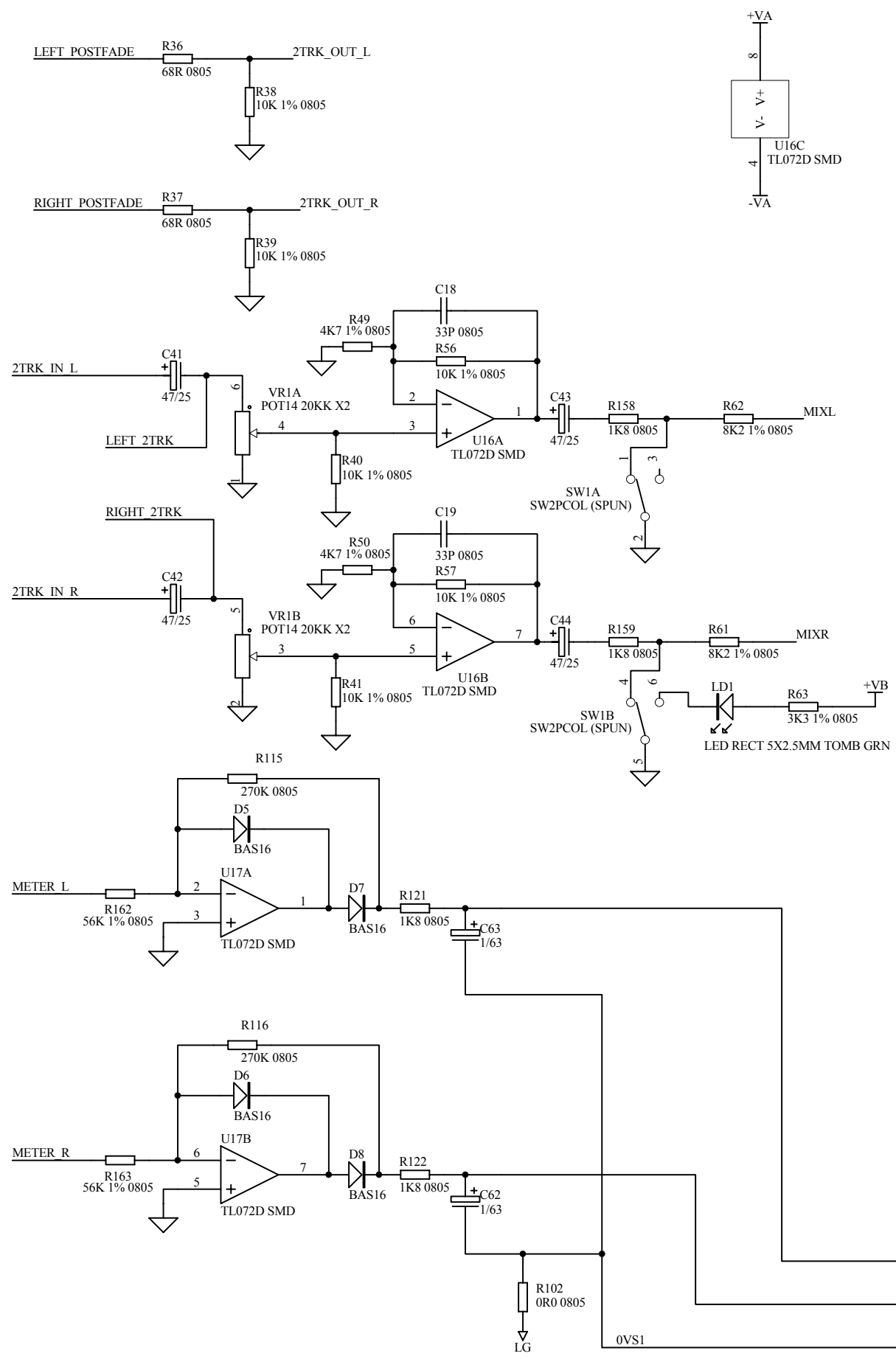
VR2C POT14 20KK X2
 VR4B POT11 20KK
 CN7 EARTH SCREW TERMINAL NARROW

C64 1/50CER SPACER CAP

FILE: C5929_2.1P2.Sch

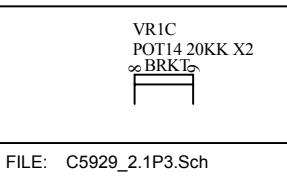
PRINTED: 10:20:32 19-Apr-2005

TITLE: **GL2400 RIGHT PCB**
 PAGE:
 DRG No: C5929 ISSUE: 2.1 SHEET: 2 OF 3



ALLEN&HEATH
 Kernick Industrial Estate,
 Penryn, Cornwall,
 England. TR10 9LU
 Tel: +44 (0)8707 556250
 Fax: +44 (0)8707 556251

ISSUE	BY	DATE	CHK BY
1	MG	27-8-04	
2	MG	24-9-04	
2.1	AAT	21-12-04	KV



FILE: C5929_2.1P3.Sch

TITLE: **GL2400 RIGHT PCB**
 PAGE:
 DRG No: C5929 ISSUE: 2.1 SHEET: 3 OF 3

PRINTED: 10:20:33 19-Apr-2005

