

Service Manual

Model: CLE8.0

Compressor / Limiter / Gate

CONTENTS

- 1. Specification**
- 2. Block Diagram**
- 3. Schematic Diagram**
- 4. Printed Circuit Board**
- 5. Wiring Diagram**
- 6. ~~Test Procedure~~**
- 7. Electrical Parts List**
- 8. Exploded Views & Mechanical Parts List**
- 9. Notes**

1. Specification

SPECIFICATIONS FOR CLE8.0

INPUT		
Connectors	XLR and 1/4 " TRS (Pin 2 and Tip hot)	
Type	Electronically balanced/unbalanced, RF filtered	
Impedance	Balanced >50Kohm, Unbalanced>25Kohm	
Nominal operating level	+4dBu/-10dBV switchable	
Max input level	>+24dBu balanced and unbalanced	
CMRR	Typically>50dB at 1KHz	

OUTPUT		
Connectors	XLR and 1/4 " TRS (Pin 2 and Tip hot)	
Type	Electronically balanced/unbalanced, RF filtered	
Impedance	Balanced 120 Ohm, Unbalanced 60 Ohm	
Max output level	>+21dBu,+20dBm balanced and unbalanced	

SIDCHAIN INPUT		
Connectors	1/4 " TRS (Tip hot)	
Type	RF-rejecting, DC de-coupled, unbalanced input	
Impedance	>10Kohm	
Max input level	>+24dBu	

SIDCHAIN OUTPUT		
Connectors	1/4 " TRS (Tip hot)	
Type	RF-rejecting, DC de-coupled, unbalanced output	
Impedance	2Kohm	
Max input level	>+21dBu	

SYSTEM SPECIFICATIONS		
Bandwidth	20HZ to 20kHz, +0/-0.5dB	
Frequency Response	0.35Hz to 200kHz,+0/-3dB	
Noise	>-95dBu, unweighted, 22Hz to 22kHz	
THD	<0.008% Typical at +4dBu, 1kHz, unity gain <0.04% Typical at +20dBu, 1kHz, unity gain	
IMD	<0.1% Typical SMPTE	
Crosstalk	<-100dB, 22Hz to 22Khz	
Stereo Coupling	True RMS detection	

EXPANDER/GATE SECTION		
Type	Interactive Expander (Interactive Ratio Control)	
Threshold	variable (OFF to +15dB)	
Ratio	variable (1:1.2 to 1:8)	
Attack	<1ms/50dB, program dependent	
Release	variable (SLOW:100ms/1dB,FAST:100ms/100Db)	

COMPRESSOR SECTION		
Type	Interactive Compressor (Interactive Knee Adaptation)	
Threshold	variable (-40dB to +20dB)	
Ratio	variable (1:1 to :1)	
Threshold Characteristic	variable (Interactive or Hard Knee)	
Manual Attack Time	variable (0.5ms to 150ms / 20dB)	
Manual Release Time	variable from 0.05 ms to 5s / 20dB	
Auto Attack Time	Typical 15ms at 10dB, 5ms at 20dB, 3ms at 30dB	
Auto Release Time	Program dependent, typical 125dB/s	
Output level	variable (-20dB to +20dB)	

PEAK LIMITER SECTION		
Type	Interactive Gain Control Peak Limiter	
Threshold	variable (0dB to OFF (+22dBu))	
Ratio	:1	
Stage 1 Limiter Type	Clipper	
Attack Time	“ zero ”	
Release Time	“ zero ”	
Stage 2 Limiter Type	Program Limiter	
Attack	program dependent, typ. <5ms	
Release	program dependent, typ. 20dB/s	

FUNCTION SWITCHES		
SOFT KNEE	Enables the “ Interactive Knee Adaptation ” characteristics.	
CONTOUR	Allows for frequency dependent detection.	
AUTO	Enable the automatic and program dependent setting of the Attack -/Release times, disengaging the manual Attack-/Release controls.	
I/O METER	Switches between input and output for the Level Meter.	
BYPASS	Bypass switch.	
OPERATING LEVEL	Changes the internal reference level from +4 dBu to – 10dBu.	
LINK	Linking both channels for stereo operation. Channel 1 becomes master.	

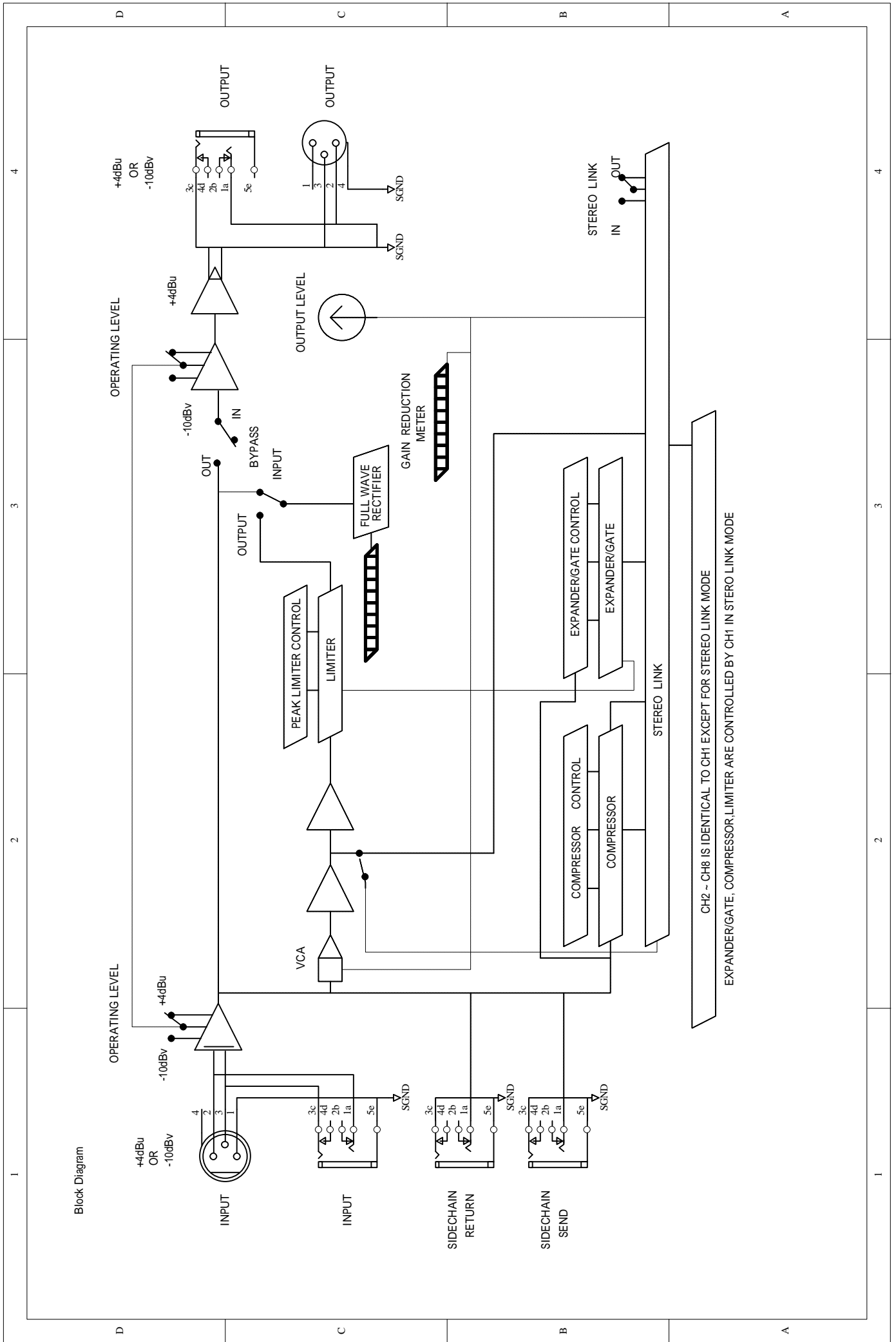
INDICATORS		
GAIN REDUCTION	8 element LED display: 1/3/6/10/15/20/25/30 dB.	
INPUT/OUTPUT LEVEL	8 element LED display: -24/-18/-12/-6/0/+6/+12/+18 dB	
Expander/Gate Threshold	2 LED for under “ + ” and above “ - ”	
Compressor Threshold	3 LEDs for under “ + ” ,Interactive “ 0 ” and above “ - ”	
Peak Limiter Threshold	1 LED for indication of limiter function.	
Function switch	LED indicator for each	

POWER SUPPLY		
Mains Voltages	USA/Canada	~120VAC, 60Hz
	U.K./Australia	~240VAC, 50Hz
	Europe	~230VAC, 50Hz
	General Export Model	~100-120VAC
		~200-240VAC,50-60Hz

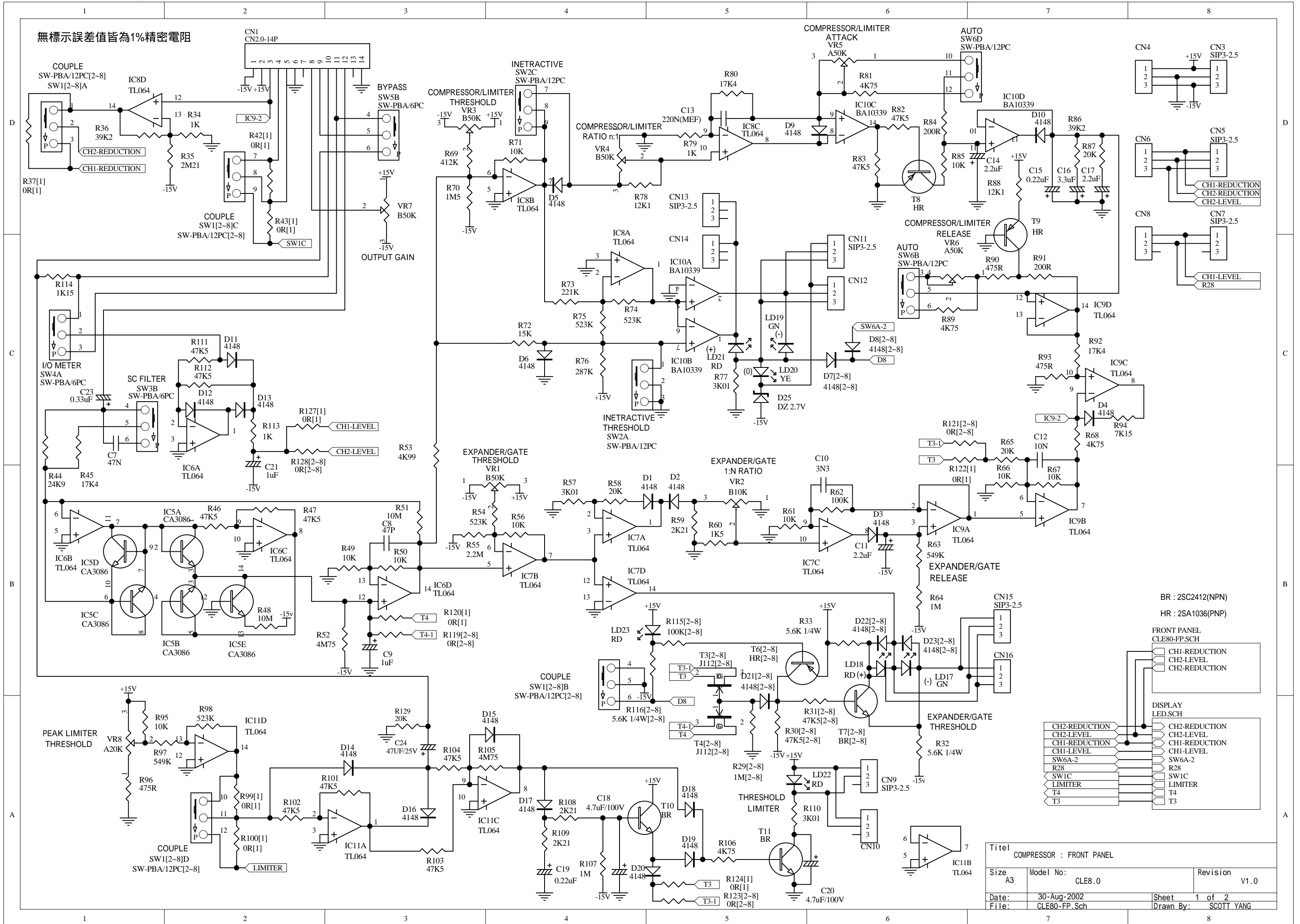
Fuse	100-120VAC : 630mA (SLOW-BLOW)	
	200-240VAC : 315mA (SLOW-BLOW)	
Power consumption	40Watts	
Mains Connection	Standard IEC receptacle	

PHYSICAL		
Dimension	W(485.0)*D(233.0)*H(90.0) mm	
Net Weight	5.2Kg	

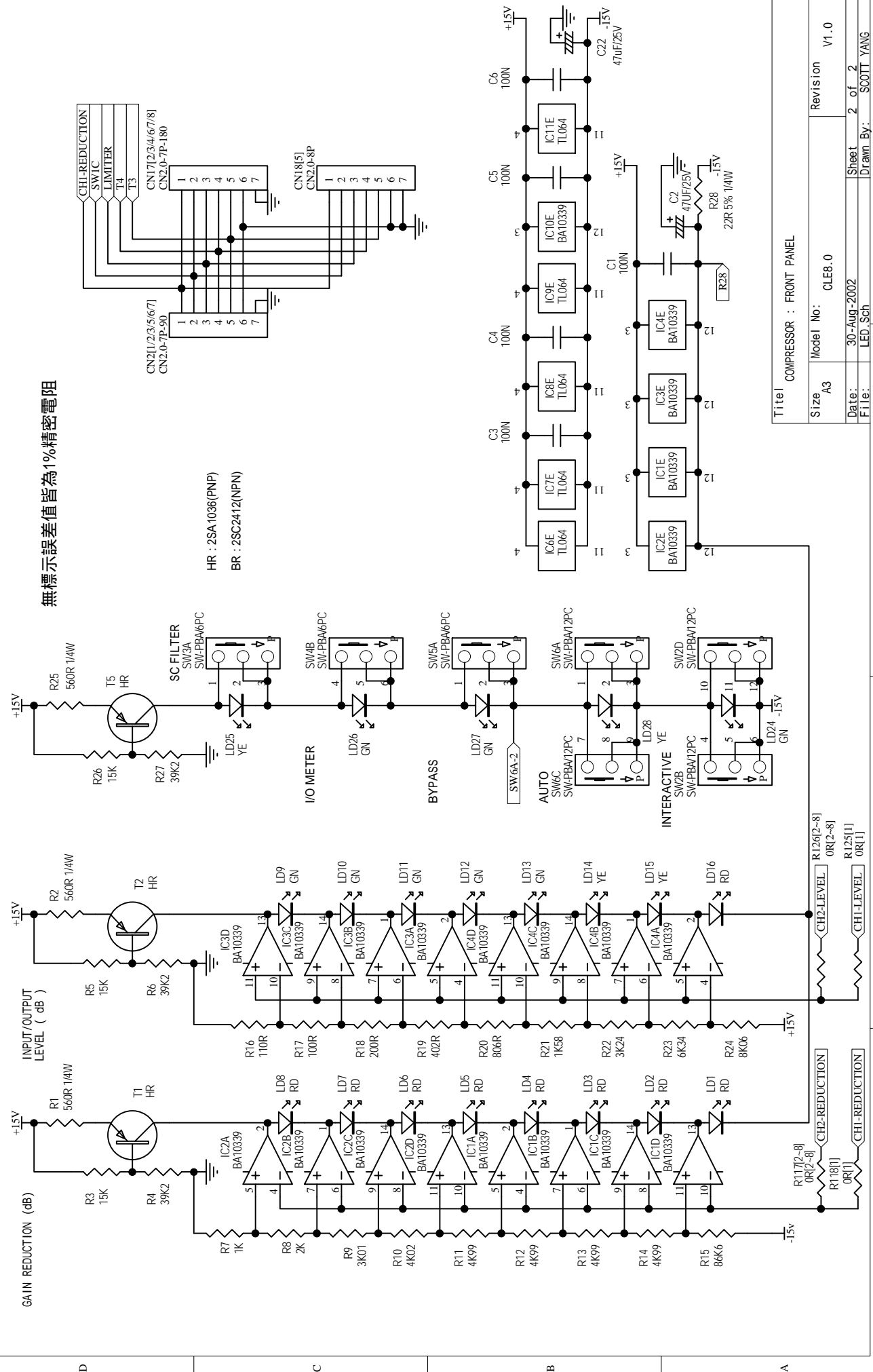
2. Block Diagram



3. Schematic Diagram

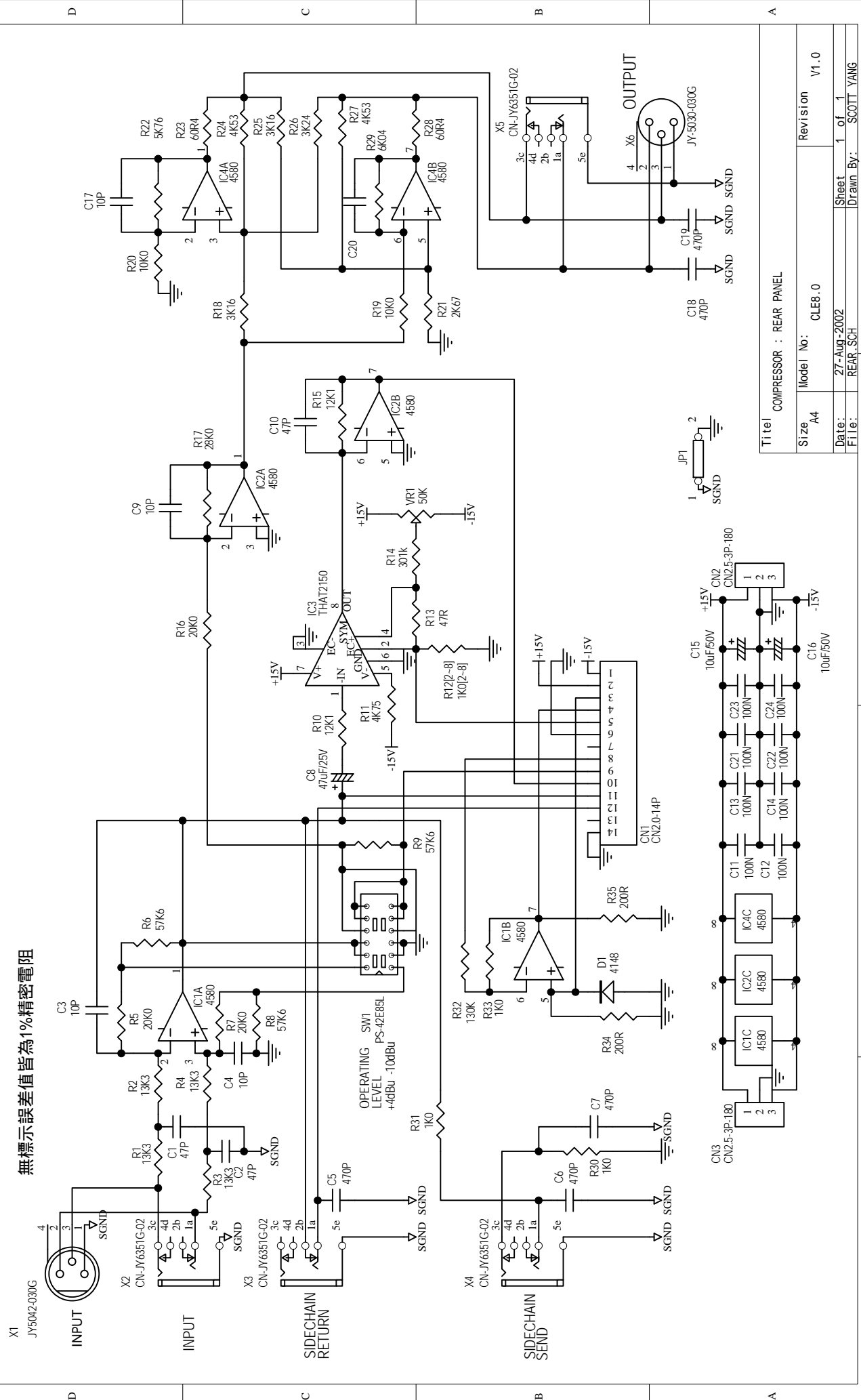


無標示誤差值皆為1%精密電阻



Title		COMPRESSOR : FRONT PANEL	
Size	A3	Model No.	CLE8.0
Date:	30-Aug-2002	Sheet	2 of 2
File:	LED_Sch	Drawn By:	SCOTT YANG
Revision		V1.0	

無標示誤差值皆為1%精密電阻



Title		COMPRESSOR : REAR PANEL	
Size	A4	Model No.	CLE8.0
Date:	27-Aug-2002	Revision	V1.0
File:	REAR_SCH	Sheet	1 of 1
		Drawn By:	SCOTT YANG

4

3

2

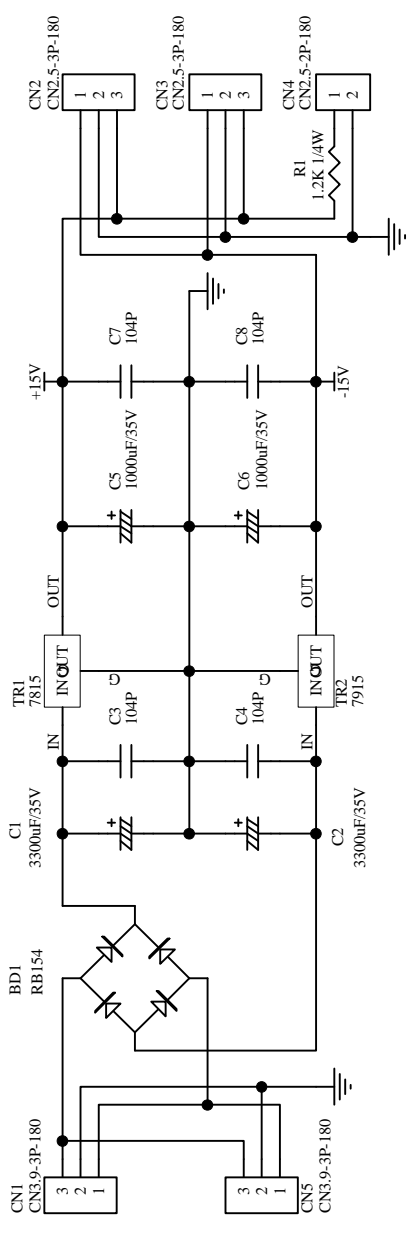
1

4

3

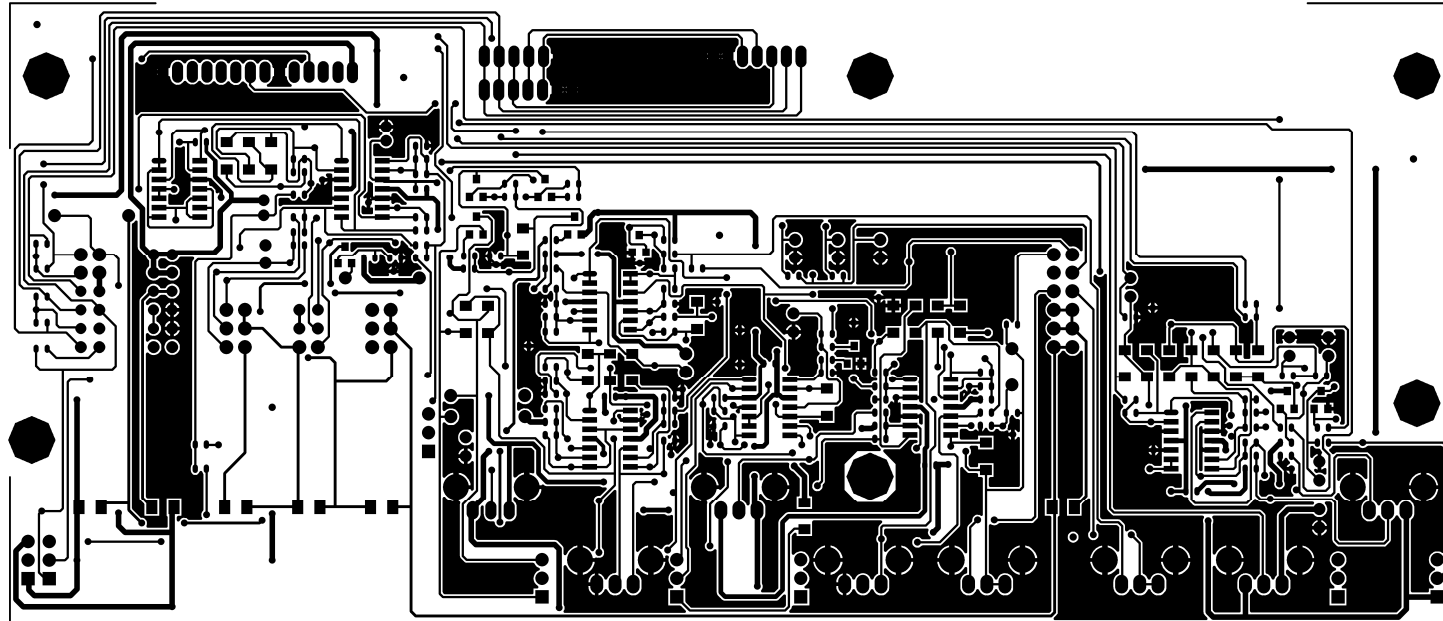
2

1

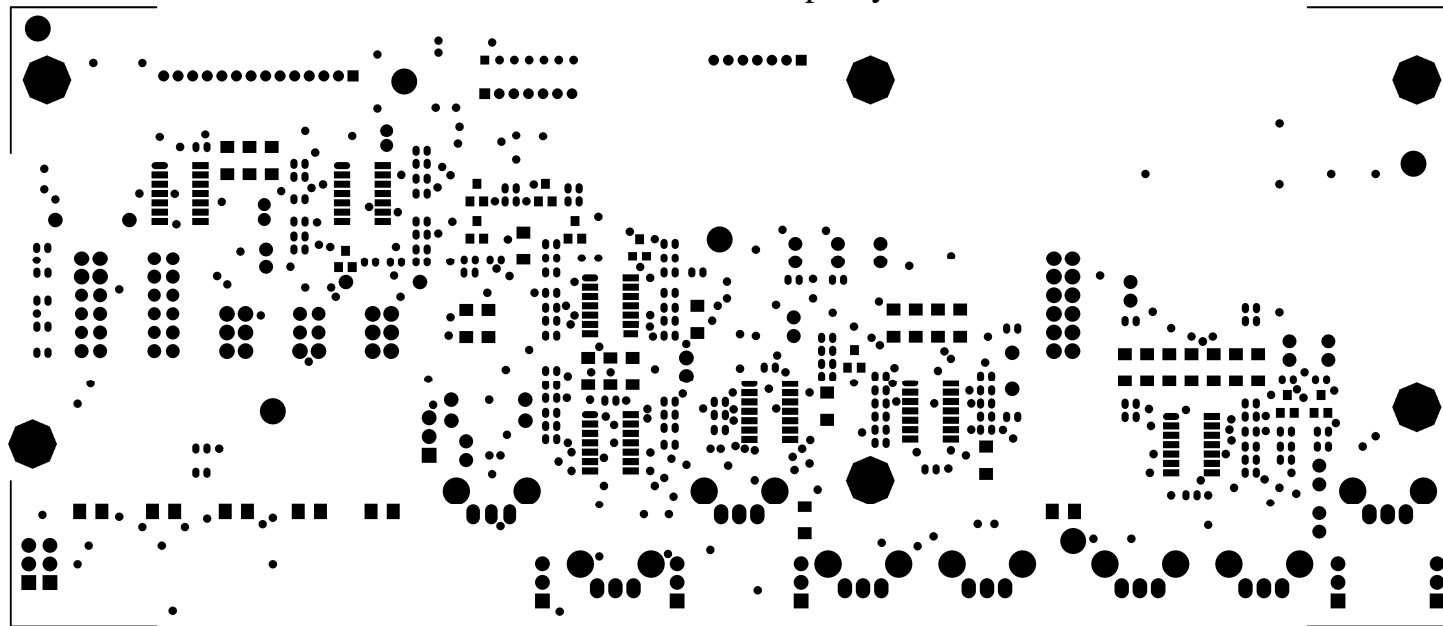


Titel		CLE80PWR	
Size	A4	Model No:	CLE8.0
Date:	27-Aug-2002	Revision	V1.0
File:	POWER_Sch	Sheet	1 of 1
		Drawn By:	SCOTT YANG

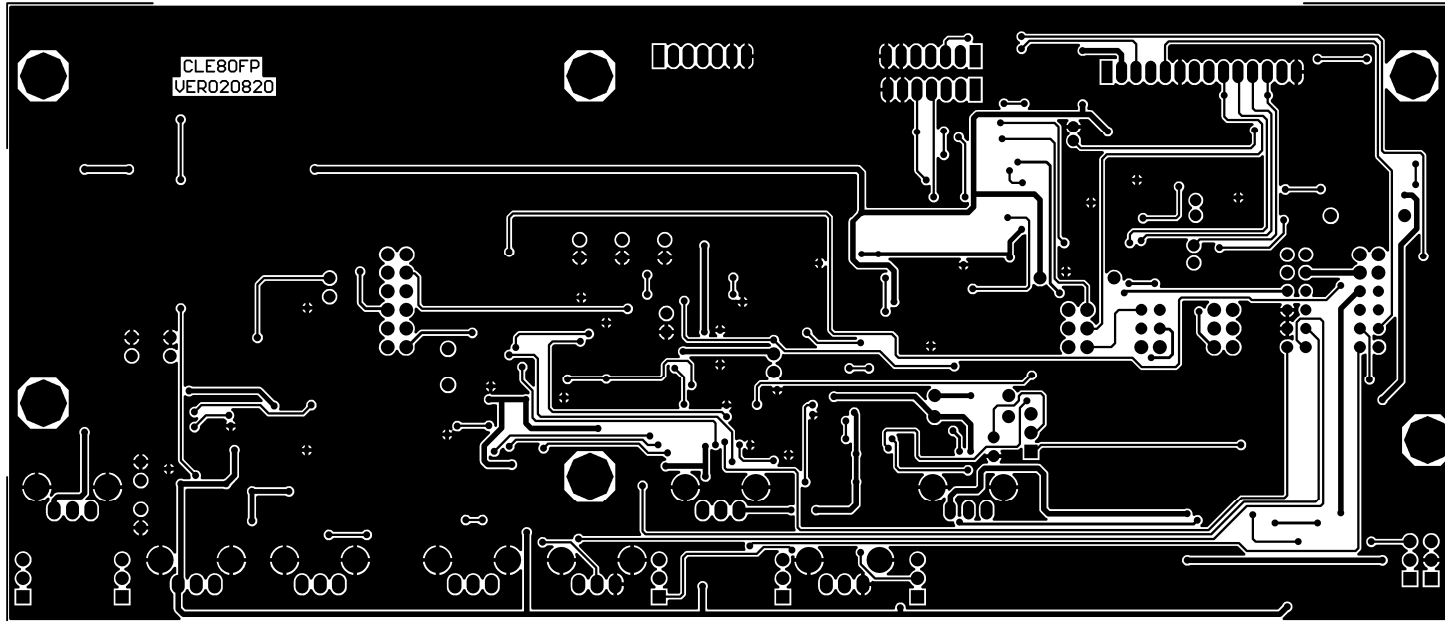
4. Printed Circuit Board



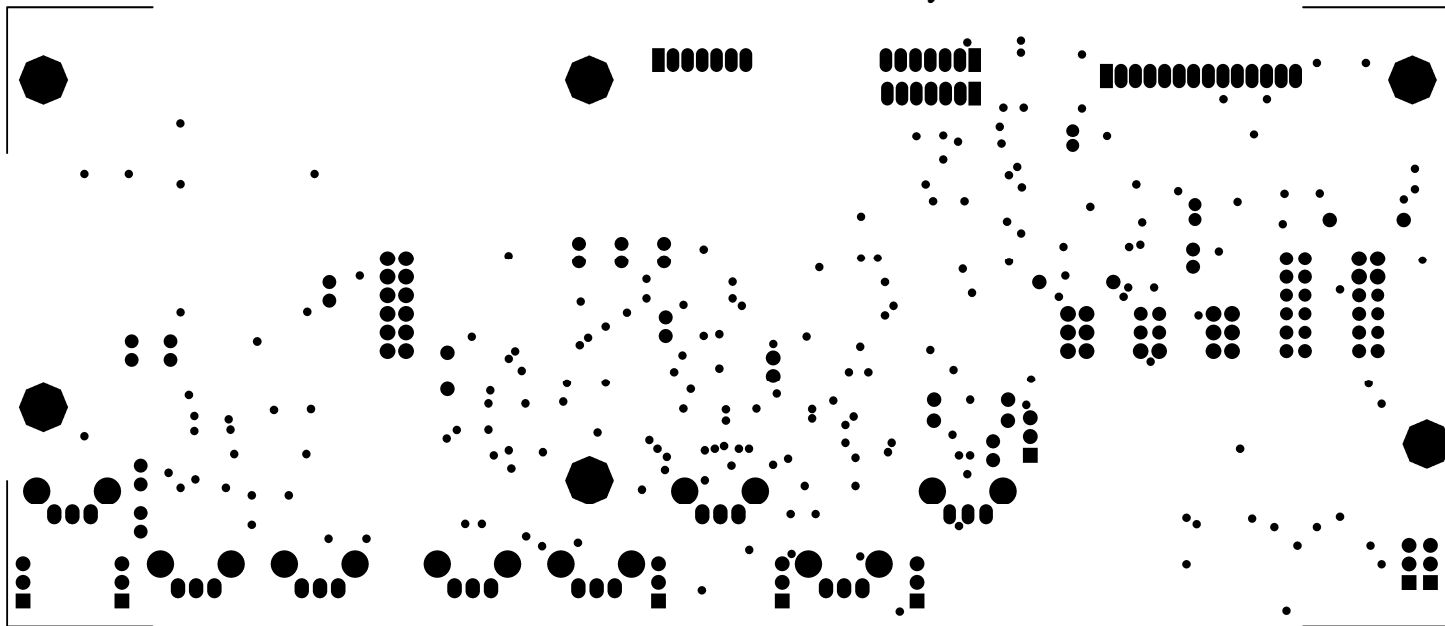
PCB : CLE80FP Top Layer



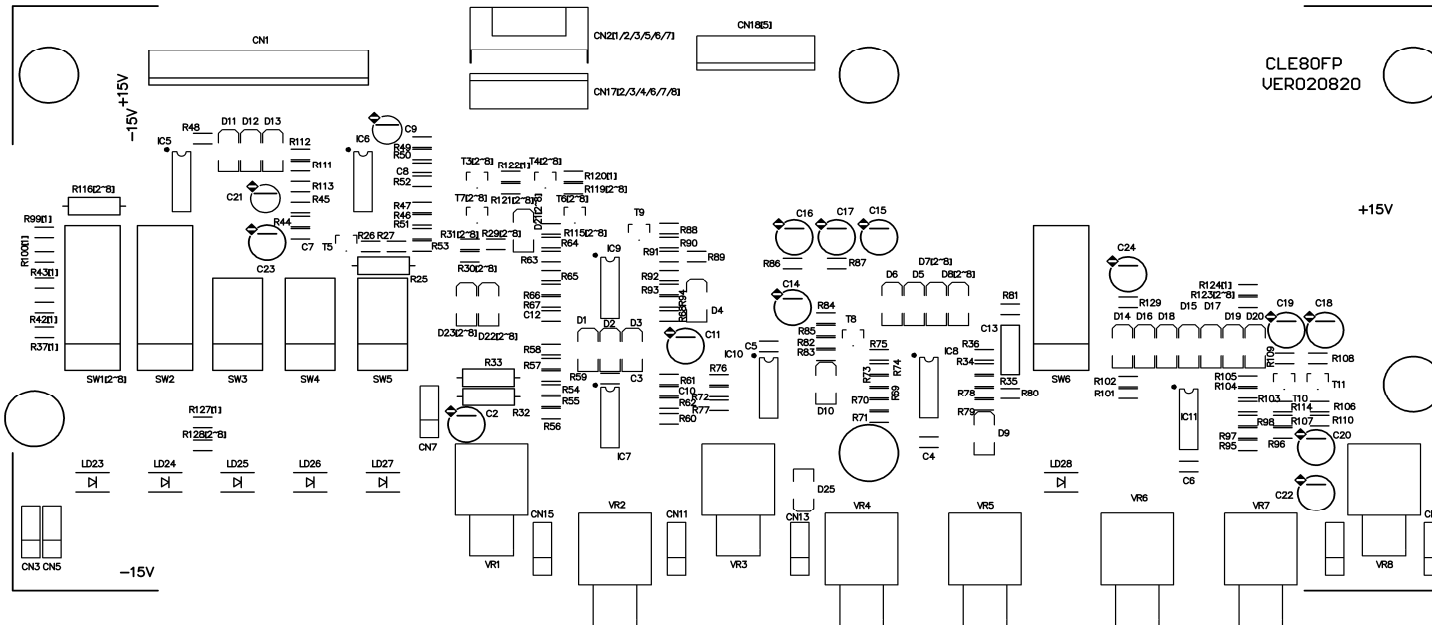
PCB : CLE80FP Top Solder Mask



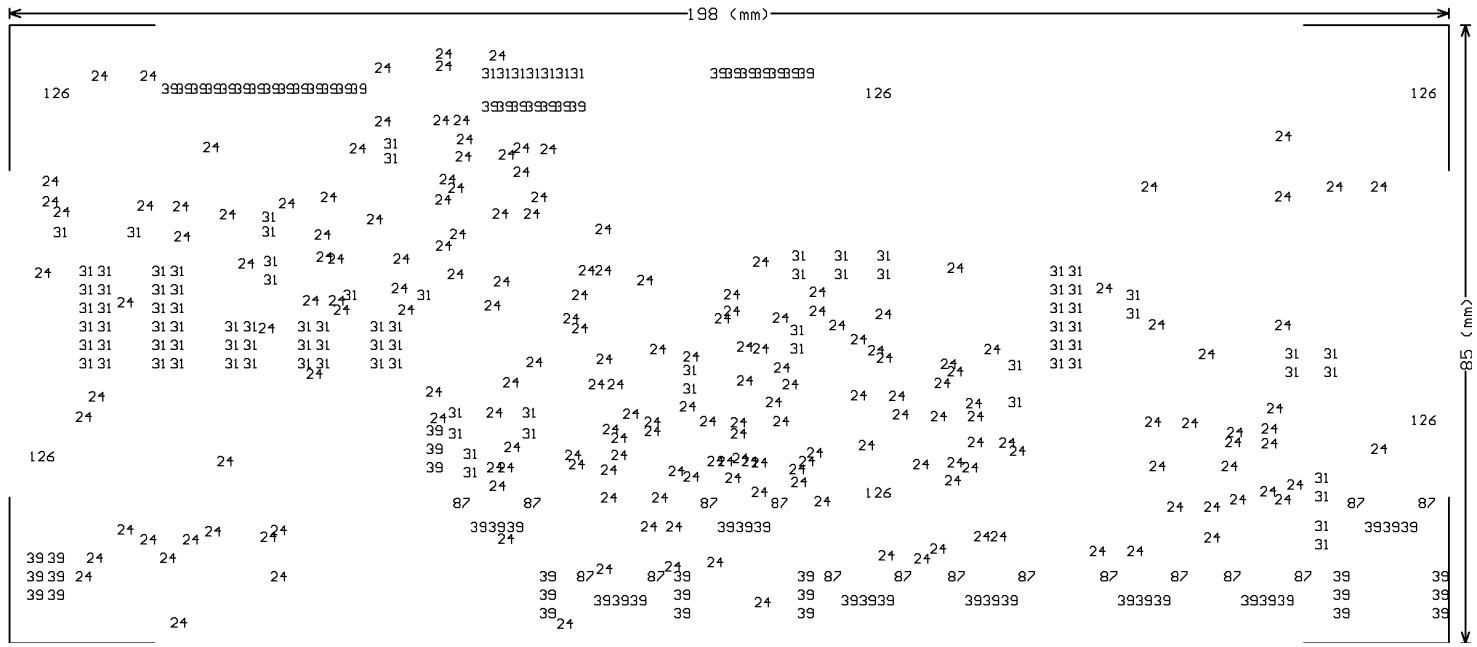
PCB : CLE80FP Bottom Layer



PCB : CLE80FP Bottom Solder Mask

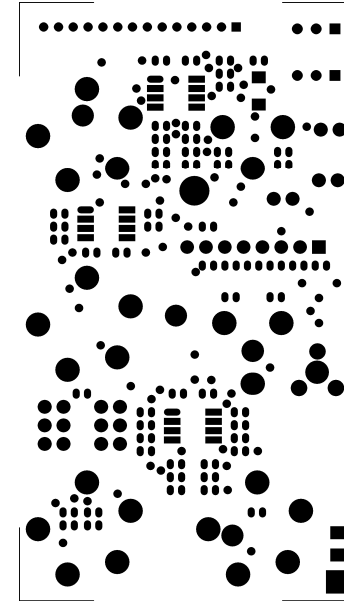
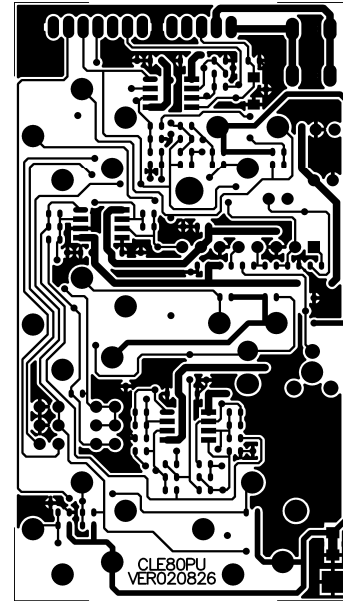
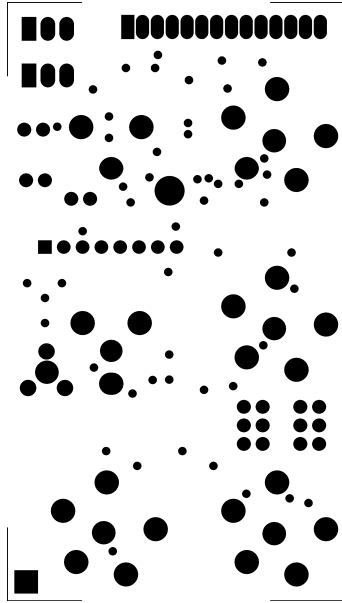
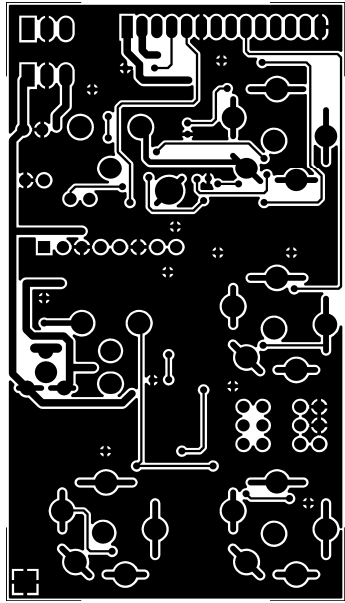


PCB : CLE80FP Top Overlay



PCB : CLE80FP Drill Drawing Plots

Tool	Hole Size	Hole Count Plated	Tool Travel
T1	24mil (0.6096mm)	195	77.97 Inch (1980.38 mm)
T2	31mil (0.7874mm)	99	41.48 Inch (1053.58 mm)
T3	39mil (0.9906mm)	76	34.75 Inch (882.54 mm)
T4	87mil (2.2098mm)	16	25.04 Inch (635.94 mm)
T5	126mil (3.2004mm)	6	NPTH 35.88 Inch (911.31 mm)
Totals		392	215.11 Inch (5463.75 mm)

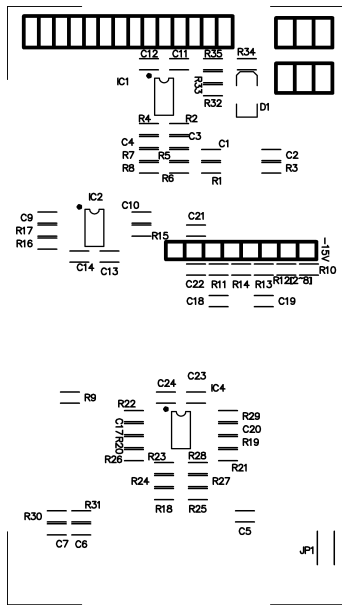
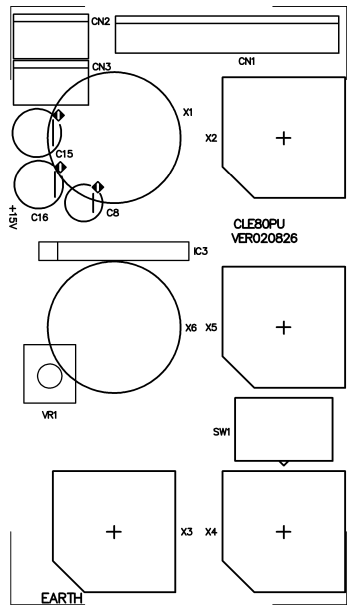


PCB : CLE80PU Top Layer

PCB : CLE80PU Top Solder Mask

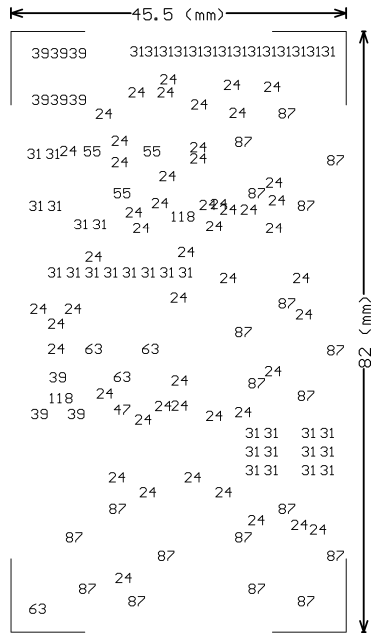
PCB : CLE80PU Bottom Layer

PCB : CLE80PU Bottom Solder Mask



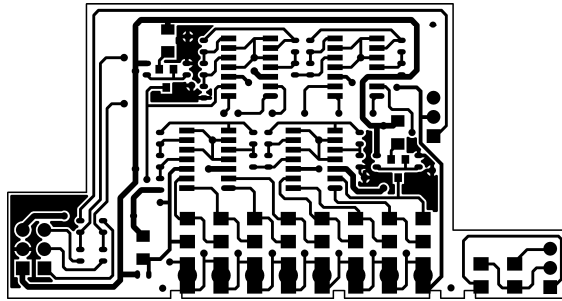
PCB: CLE80PU Top Overlay

PCB : CLE80PU Bottom Overlay

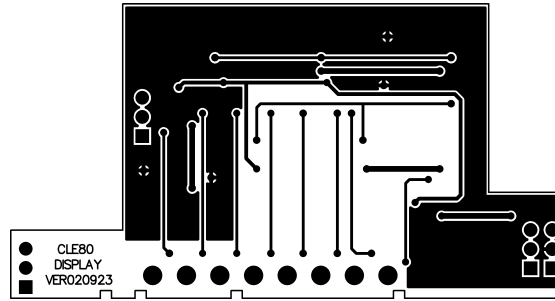


PCB : CLE80PU Drill Drawing Plots

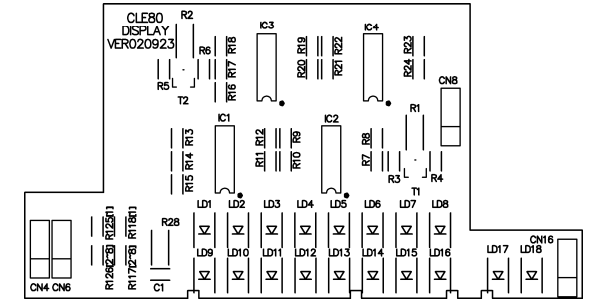
Tool	Hole Size	Hole Count Plated	Tool Travel
T1	24mil (0.6096mm)	51	39.43 Inch (1001.63 mm)
T2	31mil (0.7874mm)	40	35.21 Inch (894.33 mm)
T3	39mil (0.9906mm)	9	27.35 Inch (694.74 mm)
T4	47mil (1.1938mm)	1	25.12 Inch (638.16 mm)
T5	55mil (1.397mm)	3	26.05 Inch (661.66 mm)
T6	63mil (1.6002mm)	4	26.28 Inch (667.48 mm)
T7	87mil (2.2098mm)	20	34.11 Inch (866.45 mm)
T8	118mil (2.9972mm)	1	25.71 Inch (653.08 mm)
T9	118mil (2.9972mm)	1	NPTH 24.81 Inch (630.20 mm)
Totals		130	264.08 Inch (6707.72 mm)



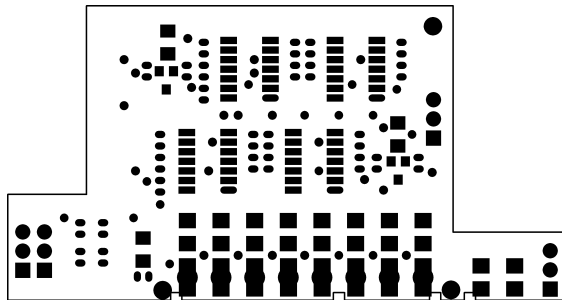
PCB : CLE80DISPLAY Top Layer



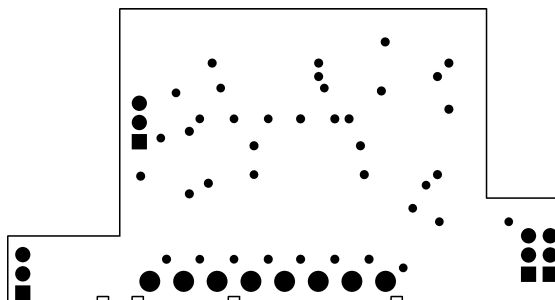
PCB : CLE80DISPLAY Bottom Layer



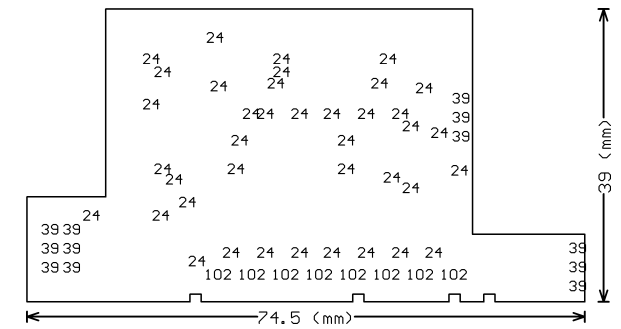
PCB : CLE80DISPLAY Top Overlay



PCB : CLE80DISPLAY Top Solder Mask

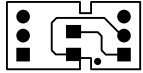


PCB : CLE80DISPLAY Bottom Solder Mask

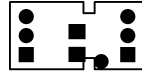
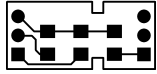


PCB : CLE80DISPLAY Drill Drawing Plots

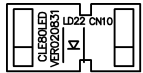
Tool	Hole Size	Hole Count Plated	Tool Travel
T1	24mil (0.6096mm)	39	15.06 Inch (382.50 mm)
T2	39mil (0.9906mm)	1	5.22 Inch (132.62 mm)
T3	39mil (0.9906mm)	11	NPTH 11.68 Inch (296.68 mm)
T4	102mil (2.5908mm)	8	NPTH 6.80 Inch (172.80 mm)
Totals		59	38.76 Inch (984.60 mm)



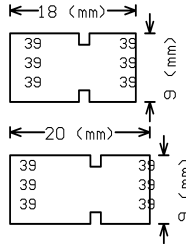
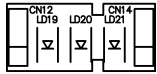
PCB : CLE80LED Top Layer



PCB : CLE80LED Top Solder Mask

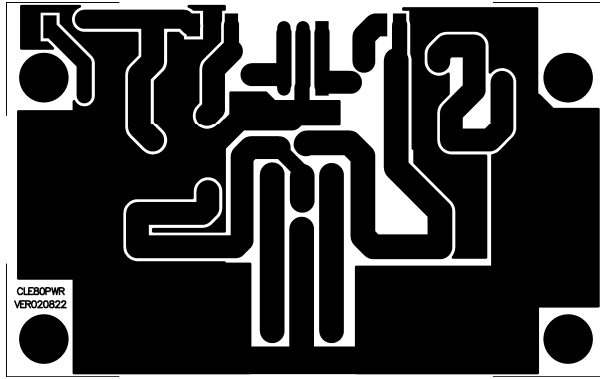


PCB : CLE80LED Top Overlay

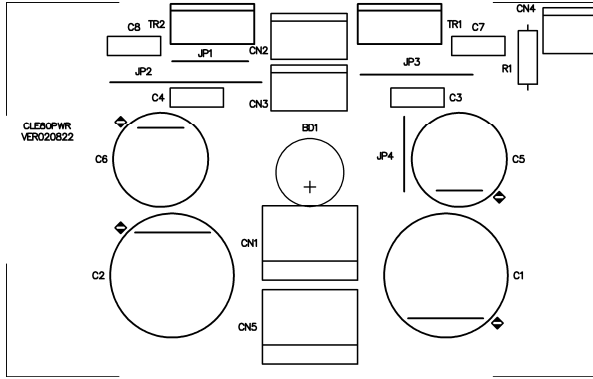


PCB : CLE80LED Drill Drawing Plots

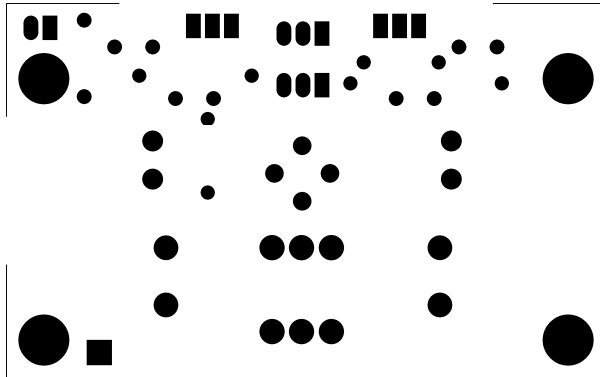
Tool	Hole Size	Hole Count	Plated	Tool Travel
T1	39mil (0.9906mm)	12	NPTH	16.26 Inch (412.91 mm)
Totals		12		16.26 Inch (412.91 mm)



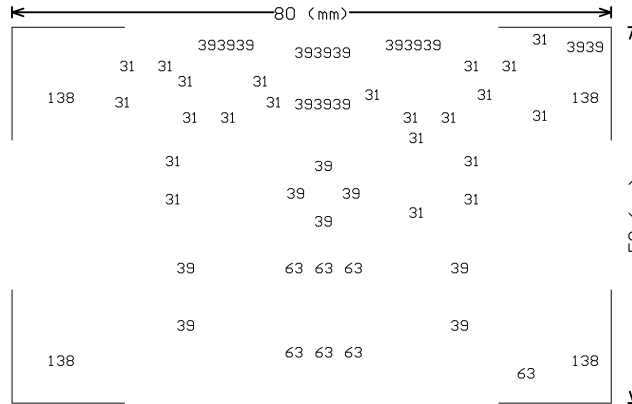
PCB : CLE80PWR TOP LAYER



PCB : CLE80PWR TOP OVERLAY

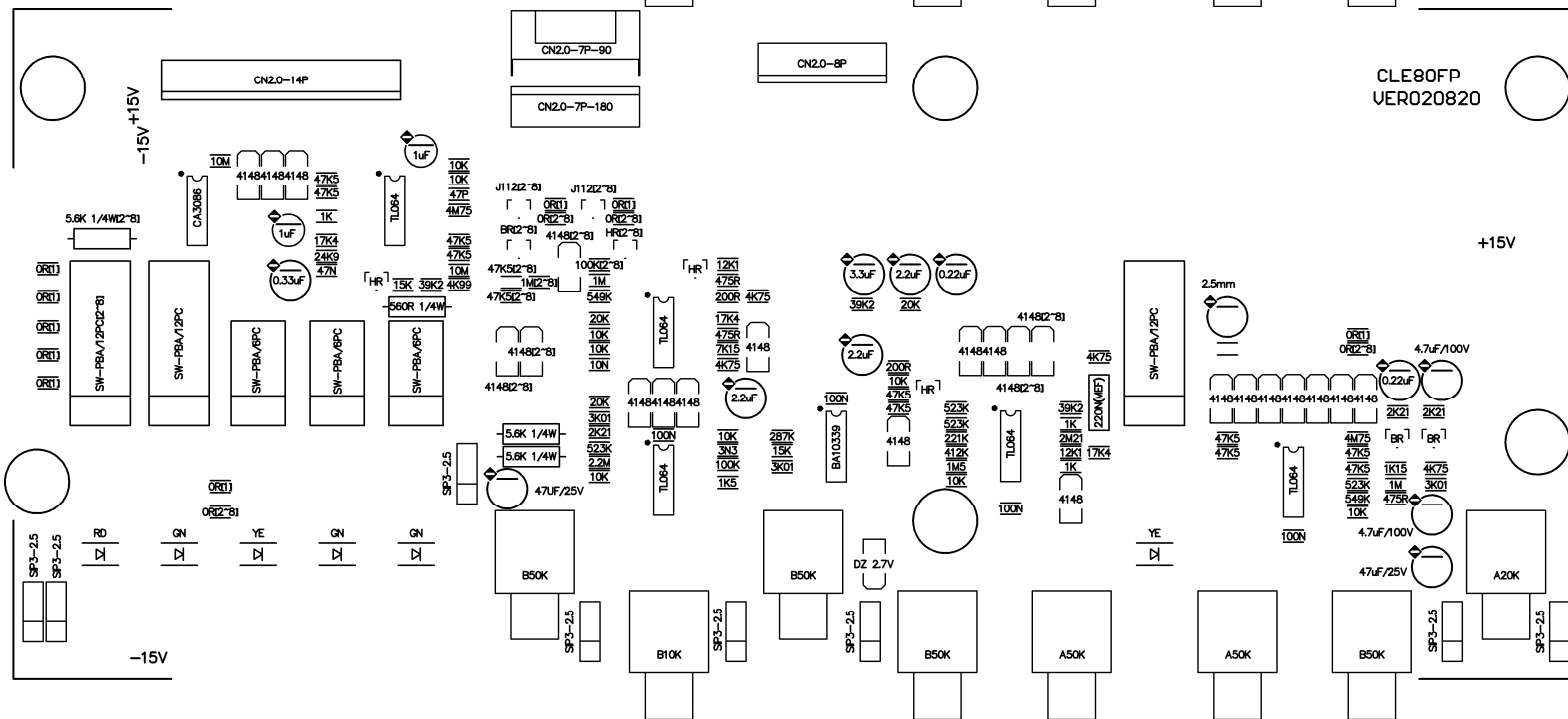
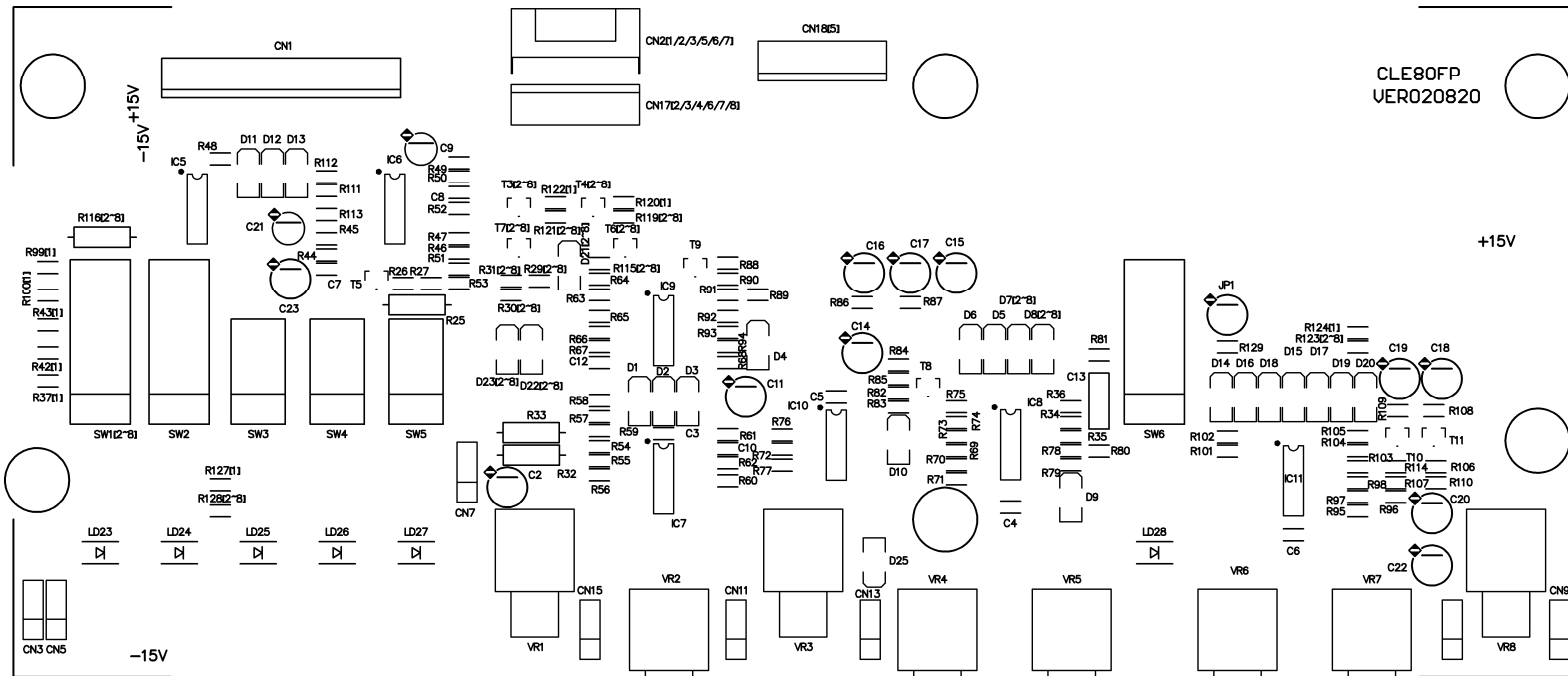


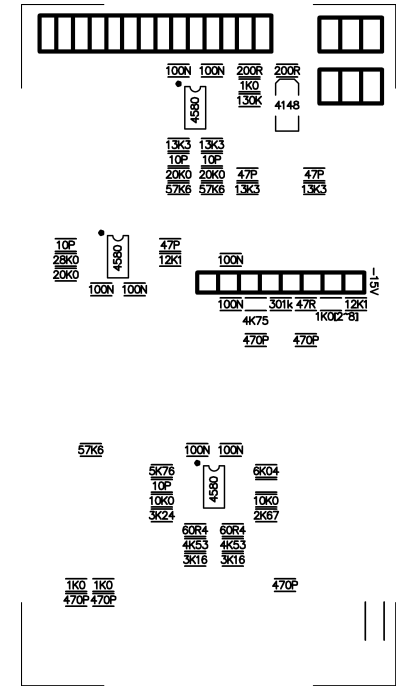
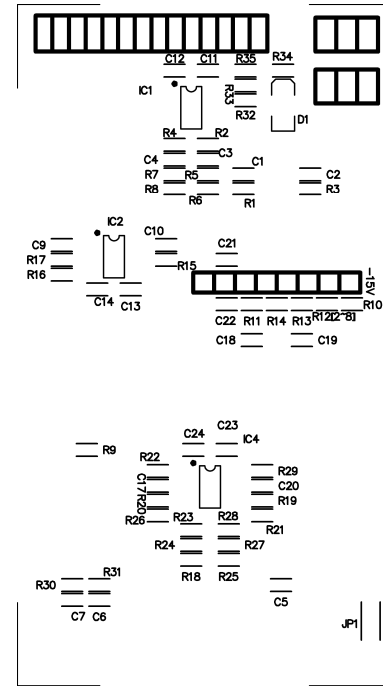
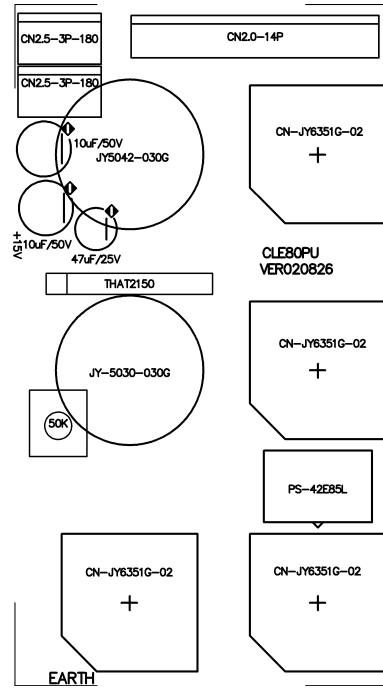
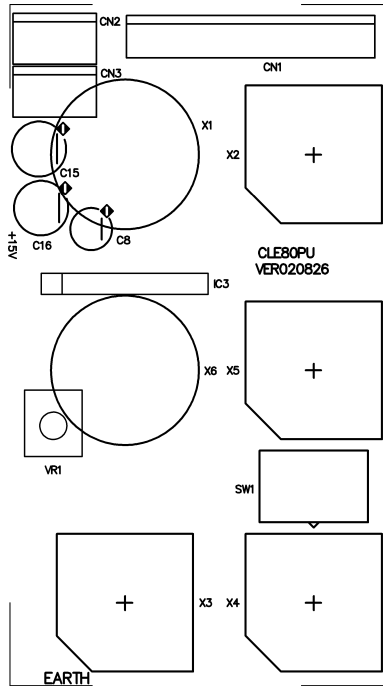
PCB : CLE80PWR TOP SOLDER MASK



PCB ; CLE80PWR DRILL DRAWING PLOTS

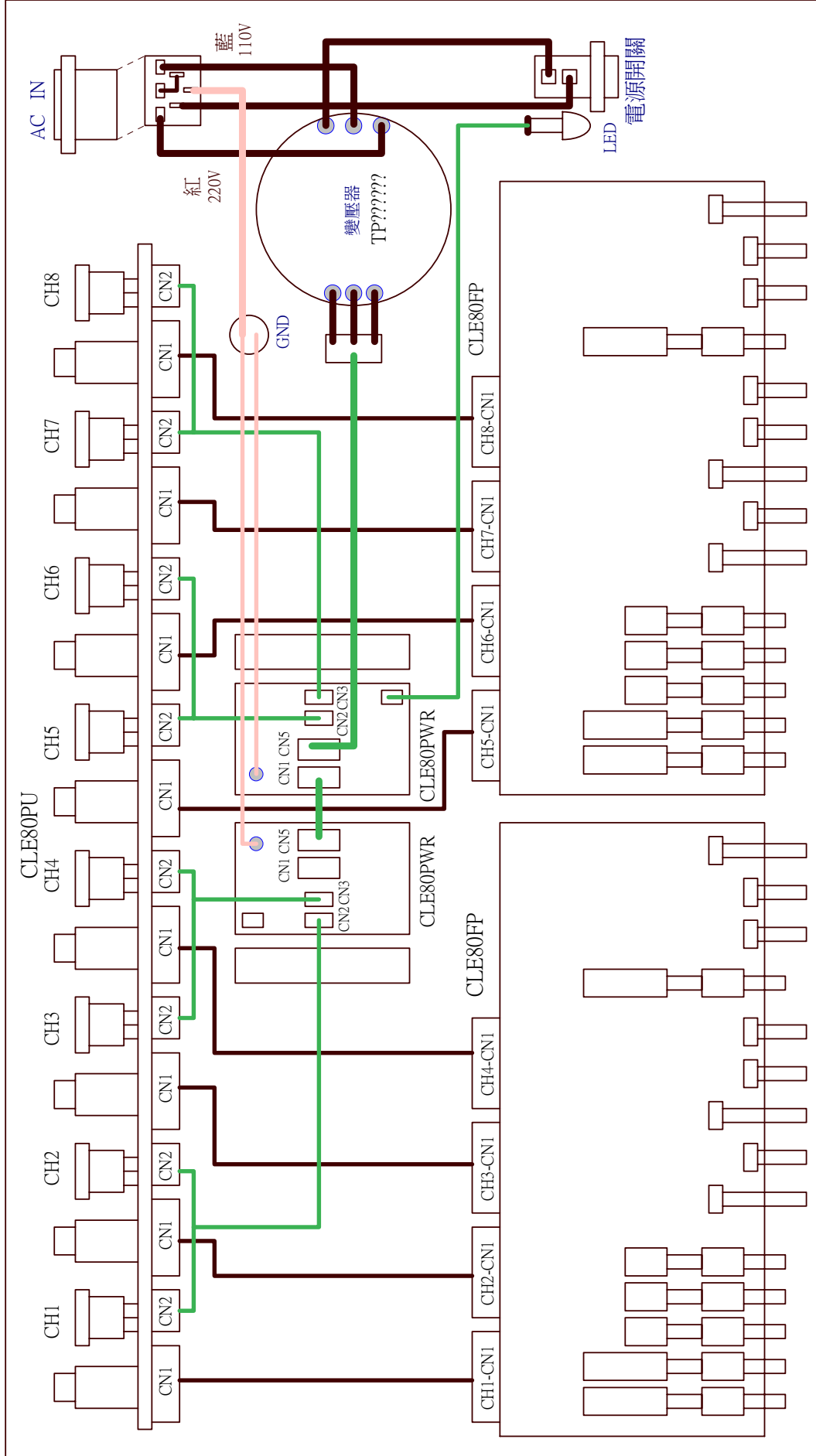
Tool	Hole Size	Hole Count Plated	Tool Travel
T1	31mil (0.7874mm)	22	29.73 Inch (755.27 mm)
T2	39mil (0.9906mm)	22	29.76 Inch (755.82 mm)
T3	63mil (1.6002mm)	7	23.29 Inch (591.65 mm)
T4	138mil (3.5052mm)	4	26.66 Inch (677.05 mm)
Totals		55	109.44 Inch (2779.79 mm)





5. Wiring Diagram

CLE8.0 全機配線圖



Titel
COMPRESSOR CLE8.0

Size
A4

Model No:
CLE8.0

Revision
V1.0

Date:
2-Sep-2002

Sheet
1 of 1

Drawn By:
SCOTT YANG

4

3

2

1

4

3

2

1

Structure Needing Material Detail List

建檔日：2002/09/04 修正日：2002/10/05

<u>NO.</u>	<u>Midprod NO</u>	<u>Quantity</u>	<u>Unit</u>
1	A-CLE8.0-ALTO-230V-歐規	1.000	PCS
2	A-CLE8.0 底後板組合	1.000	PCS
3	P-CLE8.0-PWR	2.000	PCS
4	P-CLE8.0-FP-SMD	1.000	PCS
5	P-CLE8.0-FP-DIP	1.000	PCS
6	P-CLE8.0-FP-1-SMD	7.000	PCS
7	P-CLE8.0-FP-1-DIP	7.000	PCS
8	P-CLE8.0-DISPLAY-SMD	1.000	PCS
9	P-CLE8.0-DISPLAY-1-SMD	7.000	PCS
10	P-CLE8.0-PU-SMD	1.000	PCS
11	P-CLE8.0-PU-DIP	1.000	PCS
12	P-CLE8.0-PU-SMD-1	7.000	PCS

Item No: CLE8.0

specify: AMP

Mid No: standard quantity:

NO	Material No	Item Name	Specific	Quantity	Unit	Ps
	1 MA03346	panel	CLE8.0 ALTO	1.000	PCS	
MARK:						
	2 MC00420	top cover	CLE8.0	1.000	PCS	
MARK:						
	3 NI01862		5.5*5.5*14.5	8.000	PCS	
MARK:						
	4 NI01863		5.5*W10*6	8.000	PCS	
MARK:						
	5 NI02104	knob	3*W6*33.5	47.000	PCS	
MARK:						
	6 NI02103	lacid plastic panel	35.5*9.2*16	16.000	PCS	
MARK:						
	7 NI02102	separating	35.7*14*10	16.000	PCS	
MARK:						
	8 NMBP59	plastic knob COOL GRAY	10*16.5(semicircle ste	64.000	PCS	
MARK:						
	9 NPL292		7*3.5 072Cblue	64.000	PCS	
MARK:						
	10 HCSA07	AC outlet	3515 A TYPE(RF-2004-C-4.	1.000	PCS	
MARK:						
	11 NI02097	power switch	18.5*10 072C藍	1.000	PCS	
MARK:						
	12 NMBA02	power push button	15*17	1.000	PCS	
MARK:						
	13 NPL285	switch cap	6*2.5 YELLOW C	1.000	PCS	
MARK:						
	14 HSWA13	alimentation SW	SDDL B 1007U	1.000	PCS	
MARK:						
	15 STR802-T2	silicone insulator	T0-220 square type	4.000		
MARK:						
	16 MFSS03	washer	3* 5*1t	8.000	PCS	穩壓IC,固定散
MARK:						
	17 NI02249	caushion	TW-1(T0-220)	4.000	PCS	
MARK:						
	18 MSCB34	black plated screw	pill 3*6	2.000	PCS	電源開關
MARK:						
	19 MHLB15ZZ	heat-sink	65*18*4 SCX-P234	2.000	PCS	
MARK:						
	20 DL43RG	L.E.D	LG2043 green	1.000	PCS	電源開關
MARK:						
	21 MSCB28	black plated screw	flat self 3*4	29.000	PCS	上蓋,底後板,C
MARK:						
	22 MSCB36	black plated screw	flat self 4*6 drilling t	4.000	PCS	上蓋
MARK:						
	23 MSCB58	black plated screw	iron-board pill 3*10	32.000	PCS	CLE8.0PU平衡
MARK:						
	24 MSCC41	colour screw	pill 4*52	1.000	PCS	環型PT
MARK:						
	25 MSTC04	colour nut	4m/m	2.000	PCS	環型PT與地線
MARK:						

Item No: CLE8.0

specify: AMP

Mid No: standard quantity:

NO	Material No	Item Name	Specific	Quantity	Unit	Ps
	26 MSCN19	Ni screw	pill 3*8	4.000	PCS	穩壓IC
MARK:						
	27 MSTC03	colour nut	3m/m	4.000	PCS	固定散熱片
MARK:						
	28 ME00060	MIC stand nut	JY-6351G-02-250	32.000	PCS	
MARK:						
	29 MF00061	mic stand washer	JY-6351G-02-250	32.000	PCS	
MARK:						
	30 MFSC02	washer	4* 12*1t	1.000	PCS	環型PT
MARK:						
	31 MFSS04	washer	4* 7*1t	2.000	PCS	地線與環型PT
MARK:						
	32 MFST01	washer	4* 8*0.5t	2.000	PCS	地線
MARK:						
	33 MWI060	copper pole M3*P0.5	17.5mm single, length 23.	36.000	PCS	CLE8.0 FP組裝
MARK:						
	34 NLXC07	rubber coil	20* 60*2tB	1.000	PCS	
MARK:						
	35 HLSF94	row-wire connector wirir2P	280m/m	1.000	PCS	
MARK:						
	36 HLSF134	row-wire connector wirir3P-3P	120m/m	8.000	PCS	
MARK:						
	37 HA02195	wire	3P-3P 120mm(UL1015 AWG18	1.000	PCS	
MARK:						
	38 HLSP164	P.V.C wiring	UL1617 AWG22 250mm black	1.000	PCS	
MARK:						
	39 HLSP71	P.V.C single wave wired	UL1617 22AWG 80m/m brown	1.000	PCS	
MARK:						
	40 HLSC76	single terminal wiring (green/yellow	150m/m	1.000	PCS	
MARK:						
	41 HA02190	wire	150mm	2.000	PCS	
MARK:						
	42 HLSA31	power cord	Europe 3P LT-312+LT-501	1.000	PCS	
MARK:						
	43 NMCT16WW0010	sleeving flame retardant2.5	*10m/m	2.000	PCS	
MARK:						
	44 NMCT19WW0005	sleeving flame retardant4	*5m/m	8.000	PCS	
MARK:						
	45 NMCR01	cable tie(black)	ALT-102SB	2.000	PCS	
MARK:						
	46 NLXM39	self-paste foot pad(SF-(12.7*9.0*3.0t	4.000	PCS	
MARK:						
	47 NWCP04	lockable bag	5*7	1.000	PCS	
MARK:						
	48 NWCP01WW0300*0580PE	bag	30*58cm	1.000	PCS	
MARK:						
	49 HEM083	desiccant	30g	1.000		
MARK:						
	50 NE09808	label	CLE8.0 ALTO	2.000		
MARK:						

Item No: CLE8.0

specify: AMP

Mid No: standard quantity:

NO	Material No	Item Name	Specific	Quantity	Unit	Ps
51	NF00940	instruction	CLE8.0 ALTO	1.000		
MARK:						
52	NB01687	box	(2H)ALTO 19"	1.000	PCS	
MARK:						
53	PKMS156	barrier	ALTO19"	1.000	PCS	
MARK:						
54	NB01690	box	(2H)ALTO 19"	1.000	PCS	
MARK:						
55	NB01691	box	(2H)ALTO 19"	0.500	PCS	
MARK:						
56	NMCQ-073	assurance book	ALTO	1.000		
MARK:						
57	TD00120	transformer	PT-CLE80_230V	1.000	PCS	
MARK:						
58	HD00006	fuse TSD	315mA 250V 5.2*20mm CS	1.000	PCS	
MARK:						
59	NE05004	label	ALTO	4.000		
MARK:						
60	NE05038	label	CLE8.0	4.000		
MARK:						
61	NA00154	box	ALTO	2.000	PCS	
MARK:						
62	HCSV0207	row-wire header	7P 2.0mm 180 °	1.000	PCS	
MARK:						

Item No: CLE8.0

specify: AMP

Mid No: standard quantity:

NO	Material No	Item Name	Specific	Quantity	Unit	Ps
	1 MB02294	bottom board	CLE8.0 ALTO	1.000	PCS	
MARK:						
	2 MAPR80ZZ	L-shape fixed bracket	1.2*28*20*10(CLE2.0)	1.000	PCS	
MARK:						
	3 ME00078	pillor iron	六角6.35(對邊)*3*7.7	12.000	PCS	
MARK:						
	4 MMC010			8.000	PCS	
MARK:						
	5 MSC024	screw pillar	M4*20*0.7PH	1.000	PCS	
MARK:						
	6 MSC030		M3*10*0.5PH	4.000	PCS	
MARK:						

Item No: CLE8.0

specify: AMP

Mid No: standard quantity:

NO	Material No	Item Name	Specific	Quantity	Unit	Ps
	1 HB00731	PC board	CLE80PWR(1*8)_VER020822	1.000	PCS	
MARK:						
	2 MMCJ09	jumper wire	10m/m	2.000	PCS	
MARK:JP	1 4					
	3 MMCJ14	jumper wire	15m/m	1.000	PCS	
MARK:JP	3					
	4 MMCJ16	jumper wire	20m/m	1.000	PCS	
MARK:JP	2					
	5 RFB212S	1/4W fixed resistor	1.2K S type	1.000	PCS	
MARK:R	1					
	6 CC410F	ceramic capacitor	0.1uF SL	4.000	PCS	
MARK:C	3 4 7 8					
	7 CE710J	electrotytic capacitor	100/100V	2.000	PCS	
MARK:C	5 6					
	8 CE822G	electrotytic capacitor	2200uF/50V 16*35.5	2.000	PCS	
MARK:C	1 2					
	9 DB001A	bridge rectifier	RB154 1A/400V	1.000	PCS	
MARK:DB	1					
	10 SIC717	integrated circuit	7815	1.000	PCS	
MARK:TR	1					
	11 SIC719	integrated circuit	7915	1.000	PCS	
MARK:TR	2					
	12 HCSI0203	row-wire header	3P 2.5mm 180 °	2.000	PCS	
MARK:CN	2 3					
	13 HCSI0202	row-wire header	2P 2.5mm 180 °	1.000	PCS	
MARK:CN	4					
	14 HCSJ0203	row-wire header	3P 3.9mm 180 °	2.000	PCS	
MARK:CN	1 5					

Item No: CLE8.0

specify: AMP

Mid No: standard quantity:

NO	Material No	Item Name	Specific	Quantity	Unit	Ps
1	HB00727	PC board	CLE80FP(1*4)_VER020820	1.000	PCS	
MARK:						
2	RPCA0200	SMD 1/10W precise resis	200 ±1% 0603	2.000	PCS	
MARK: R 84 91						
3	RPCA0475	SMD 1/10W precise resis	475 ±1% 0603	3.000	PCS	
MARK: R 90 93 96						
4	RPCA1100	SMD 1/10W precise resis	1.00K ±1% 0603	3.000	PCS	
MARK: R 113 34 79						
5	RPCA1115	SMD 1/10W precise resis	1.15K ±1% 0603	1.000	PCS	
MARK: R 114						
6	RPCA1150	SMD 1/10W precise resis	1.50K ±1% 0603	1.000	PCS	
MARK: R 60						
7	RD00284	resistor	2.21K ±1% 0603	3.000	PCS	
MARK: R 108 109 59						
8	RD00385	resistor	3.01K ±1% 0603	3.000	PCS	
MARK: R 110 57 77						
9	RD00386	resistor	4.75K ±1% 0603	4.000	PCS	
MARK: R 106 68 81 89						
10	RPCA1499	SMD 1/10W precise resis	4.99K ±1% 0603	1.000	PCS	
MARK: R 53						
11	RD00366	resistor	7.15K ±1% 0603	1.000	PCS	
MARK: R 94						
12	RPCA2100	SMD 1/10W precise resis	10.0K ±1% 0603	9.000	PCS	
MARK: R 49 50 56 61 66 67 71 85 95						
13	RPCA2121	SMD 1/10W precise resis	12.1K ±1% 0603	2.000	PCS	
MARK: R 78 88						
14	RPCA2150	SMD 1/10W precise resis	15.0K ±1% 0603	2.000	PCS	
MARK: R 26 72						
15	RPCA2174	SMD 1/10W precise resis	17.4K ±1% 0603	3.000	PCS	
MARK: R 45 80 92						
16	RPCA2200	SMD 1/10W precise resis	20.0K ±1% 0603	3.000	PCS	
MARK: R 58 65 87						
17	RPCA2249	SMD 1/10W precise resis	24.9K ±1% 0603	1.000	PCS	
MARK: R 44						
18	RD00317	resistor	39.2K ±1% 0603	3.000	PCS	
MARK: R 27 36 86						
19	RD00290	resistor	47.5K ±1% 0603	10.000	PCS	
MARK: R 101 102 103 104 111 112 46 47 82 83						
20	RPCA3100	SMD 1/10W precise resis	100K ±1% 0603	1.000	PCS	
MARK: R 62						
21	RD00388	resistor	221K ±1% 0603	1.000	PCS	
MARK: R 73						
22	RPCA3287	SMD 1/10W precise resis	287K ±1% 0603	1.000	PCS	
MARK: R 76						
23	RPCA3412	SMD 1/10W precise resis	412K ±1% 0603	1.000	PCS	
MARK: R 69						
24	RPCA3523	SMD 1/10W precise resis	523K ±1% 0603	4.000	PCS	
MARK: R 54 74 75 98						

Item No: CLE8.0

specify: AMP

Mid No: standard quantity:

NO	Material No	Item Name	Specific	Quantity	Unit	Ps
25	RD00389	resistor	549K ±1% 0603	2.000	PCS	
MARK:	R 63 97					
26	RPCA4100	SMD 1/10W precise resis	11.00M ±1% 0603	2.000	PCS	
MARK:	R 107 64					
27	RD00342	resistor	1.5M ±1% 0603	1.000	PCS	
MARK:	R 70					
28	RD00387	resistor	2.21M ±1% 0603	1.000	PCS	
MARK:	R 35					
29	RD00391	resistor	4.75M ±1% 0603	2.000	PCS	
MARK:	R 105 52					
30	RD00390	resistor	10M ±1% 0603	3.000	PCS	
MARK:	R 48 51 55					
31	RFCF000	SMD 1/10W fixed resistor	0 ±5% 0603	9.000	PCS	
MARK:	C 100 120 122 124 127 37 42 43 99					
32	CCE047B	SMD0603 ceramic capacitc	47PF NPO ±5% -5C	1.000	PCS	
MARK:	C 8					
33	CCE233I	SMD0603 ceramic capacitc	0.0033uF X7R ±10% -25	1.000	PCS	
MARK:	C 10					
34	CCE310I	SMD0603 ceramic capacitc	0.01uF X7R ±10% -5C	1.000	PCS	
MARK:	C 12					
35	CCE347A	SMD0603 ceramic capacitc	0.047uF X7R ±10% -25	1.000	PCS	
MARK:	C 7					
36	CI00128	capacitor	0.1uF/25V Y5V +80, -20%	4.000	PCS	
MARK:	C 3 4 5 6					
37	DRS0005	SMD rectifier diode	RLS4148 0.5A (LL-34)	18.000	PCS	
MARK:	D 1 10 11 12 13 14 15 16 17 18 19 2 20 3 4 5 6 9					
38	DZSA027	SMD zener diode (LL-34)	1/2W 2.7V(RLZ5.1B)	1.000	PCS	
MARK:	D 25					
39	DLS003AG	SMD1210 L.E.D	67-21SYGC/S530-E1/TR8(gr	3.000	PCS	
MARK:	LD 24 26 27					
40	DLS004AY	SMD1210 L.E.D	67-21UYC/S530-A2/TR8(yel	2.000	PCS	
MARK:	LD 25 28					
41	STRS201	SMD transistor	2SC2412K(R) (MMBT3904LT1)	2.000	PCS	
MARK:	T 10 11					
42	STRS103	SMD transistor	2SA1036K(R) (MMBT3906LT1)	3.000	PCS	
MARK:	T 5 8 9					
43	SICS005	SMDintegrated circuit	TL064CDT	5.000	PCS	
MARK:	IC 11 6 7 8 9					
44	SICS301	SMD integraded circuit	BA10339F(ST LM339DT)	1.000	PCS	
MARK:	IC 10					
45	SICS309	SMD integrated circuit	CA3086M96	1.000	PCS	
MARK:	IC 5					

Item No: CLE8.0

specify: AMP

Mid No: standard quantity:

NO	Material No	Item Name	Specific	Quantity	Unit	Ps
	1 RA00678	resistor	560 M型	1.000	PCS	
MARK:	R 25					
	2 RFB256S	1/4W fixed resistor	5.6K S type	2.000	PCS	
MARK:	R 32 33					
	3 CE422G	electrotytic capacitor	0.22/50V	2.000	PCS	
MARK:	C 15 19					
	4 CE433G	electrotytic capacitor	0.33uF/50V 5*11	1.000	PCS	
MARK:	C 23					
	5 CE510S	electrolytic capacitor	1/50V 4*7	2.000	PCS	
MARK:	C 21 9					
	6 CE522G	electrolytic capacitor	2.2/50V	3.000	PCS	
MARK:	C 11 14 17					
	7 CE533G	electrolytic capacitor	3.3/50V	1.000	PCS	
MARK:	C 16					
	8 CE547J	electrotytic capacitor	4.7uF/100V	2.000	PCS	
MARK:	C 18 20					
	9 CE647E	electrotytic capacitor	47/25V	2.000	PCS	
MARK:	C 2 22					
	10 CM422IS	metal-film capacitor(MSC)	0.22uF/63V 5% CASE02	1.000	PCS	
MARK:	C 13					
	11 RC00222	potentiometer	B10K R0911NOA-H1B103FJ	1.000	PCS	
MARK:	VR 2					
	12 RC00223	potentiometer	A20K R0911NOA-H1A203FM	1.000	PCS	
MARK:	VR 8					
	13 RC00224	potentiometer	B50K R0911NOA-H1B503FM	2.000	PCS	
MARK:	VR 1 3					
	14 RC00226	potentiometer	A50K R0911NOA-H1A503FJ	2.000	PCS	
MARK:	VR 5 6					
	15 RC00225	potentiometer	B50K R0911NOA-H1B503FJ	2.000	PCS	
MARK:	VR 4 7					
	16 HSWE04		SP70300-0402-11F1-N	2.000	PCS	
MARK:	SW 2 6					
	17 HSWE05	swith	SP70300-0202-11F1-N	3.000	PCS	
MARK:	SW 3 4 5					
	18 HC00214	row pin (single)	2.54 180 ° 3P(gold) 15mr	8.000	PCS	固定CLE8.0LED
MARK:	CN 11 13 15 3 5 7 9					
	19 HCSV0107	row-wire header	7P 2.0mm 90 °	1.000	PCS	
MARK:	CN 2					
	20 HA02171	wire	14P-14P 220mm	1.000	PCS	
MARK:	CN 1					
	21 HLSF142	row-wire connecting wiri	7P(male)-7P(parent) 220r	1.000	PCS	
MARK:	18					
	22 MMCJ17	jumper wire	2.5m/m	1.000	PCS	
MARK:	C 24					

Item No: CLE8.0

specify: AMP

Mid No: standard quantity:

NO	Material No	Item Name	Specific	Quantity	Unit	Ps
1	HB00727	PC board	CLE80FP(1*4)_VER020820	1.000	PCS	
MARK:						
2	RPCA0200	SMD 1/10W precise resis	200 ±1% 0603	2.000	PCS	
MARK: R 84 91						
3	RPCA0475	SMD 1/10W precise resis	475 ±1% 0603	3.000	PCS	
MARK: R 90 93 96						
4	RPCA1100	SMD 1/10W precise resis	1.00K ±1% 0603	3.000	PCS	
MARK: R 113 34 79						
5	RPCA1115	SMD 1/10W precise resis	1.15K ±1% 0603	1.000	PCS	
MARK: R 114						
6	RPCA1150	SMD 1/10W precise resis	1.50K ±1% 0603	1.000	PCS	
MARK: R 60						
7	RD00284	resistor	2.21K ±1% 0603	3.000	PCS	
MARK: R 108 109 59						
8	RD00385	resistor	3.01K ±1% 0603	3.000	PCS	
MARK: R 110 57 77						
9	RD00386	resistor	4.75K ±1% 0603	4.000	PCS	
MARK: R 106 68 81 89						
10	RPCA1499	SMD 1/10W precise resis	4.99K ±1% 0603	1.000	PCS	
MARK: R 53						
11	RD00366	resistor	7.15K ±1% 0603	1.000	PCS	
MARK: R 94						
12	RPCA2100	SMD 1/10W precise resis	10.0K ±1% 0603	9.000	PCS	
MARK: R 49 50 56 61 66 67 71 85 95						
13	RPCA2121	SMD 1/10W precise resis	12.1K ±1% 0603	2.000	PCS	
MARK: R 78 88						
14	RPCA2150	SMD 1/10W precise resis	15.0K ±1% 0603	2.000	PCS	
MARK: R 26 72						
15	RPCA2174	SMD 1/10W precise resis	17.4K ±1% 0603	3.000	PCS	
MARK: R 45 80 92						
16	RPCA2200	SMD 1/10W precise resis	20.0K ±1% 0603	3.000	PCS	
MARK: R 58 65 87						
17	RPCA2249	SMD 1/10W precise resis	24.9K ±1% 0603	1.000	PCS	
MARK: R 44						
18	RD00317	resistor	39.2K ±1% 0603	3.000	PCS	
MARK: R 27 36 86						
19	RD00290	resistor	47.5K ±1% 0603	12.000	PCS	
MARK: R 101 102 103 104 111 112 30 31 46 47 82 83						
20	RPCA3100	SMD 1/10W precise resis	100K ±1% 0603	2.000	PCS	
MARK: R 115 62						
21	RD00388	resistor	221K ±1% 0603	1.000	PCS	
MARK: R 73						
22	RPCA3287	SMD 1/10W precise resis	287K ±1% 0603	1.000	PCS	
MARK: R 76						
23	RPCA3412	SMD 1/10W precise resis	412K ±1% 0603	1.000	PCS	
MARK: R 69						
24	RPCA3523	SMD 1/10W precise resis	523K ±1% 0603	4.000	PCS	
MARK: R 54 74 75 98						

Item No: CLE8.0

specify: AMP

Mid No: standard quantity:

NO	Material No	Item Name	Specific	Quantity	Unit	Ps
25	RD00389	resistor	549K ±1% 0603	2.000	PCS	
MARK:	R 63 97					
26	RPCA4100	SMD 1/10W precise resis	11.00M ±1% 0603	3.000	PCS	
MARK:	R 107 29 64					
27	RD00342	resistor	1.5M ±1% 0603	1.000	PCS	
MARK:	R 70					
28	RD00387	resistor	2.21M ±1% 0603	1.000	PCS	
MARK:	R 35					
29	RD00391	resistor	4.75M ±1% 0603	2.000	PCS	
MARK:	R 105 52					
30	RD00390	resistor	10M ±1% 0603	3.000	PCS	
MARK:	R 48 51 55					
31	RFCF000	SMD 1/10W fixed resistor	0 ±5% 0603	4.000	PCS	
MARK:	R 119 121 123 128					
32	CCE047B	SMD0603 ceramic capacitc	47PF NPO ±5% -5C	1.000	PCS	
MARK:	C 8					
33	CCE233I	SMD0603 ceramic capacitc	0.0033uF X7R ±10% -25	1.000	PCS	
MARK:	C 10					
34	CCE310I	SMD0603 ceramic capacitc	0.01uF X7R ±10% -5C	1.000	PCS	
MARK:	C 12					
35	CCE347A	SMD0603 ceramic capacitc	0.047uF X7R ±10% -25	1.000	PCS	
MARK:	C 7					
36	CI00128	capacitor	0.1uF/25V Y5V +80, -20%	4.000	PCS	
MARK:	C 3 4 5 6					
37	DRS0005	SMD rectifier diode	RLS4148 0.5A (LL-34)	23.000	PCS	
MARK:	D 1 10 11 12 13 14 15 16 17 18 19 2 20 21 22 23 3 4 5 6 7 8 9					
38	DZSA027	SMD zener diode (LL-34)	1/2W 2.7V(RLZ5.1B)	1.000	PCS	
MARK:	D 25					
39	DLS002AR	SMD1210 L.E.D	67-21SURC/S530-A2/TR8(re	1.000	PCS	
MARK:	LD 23					
40	DLS003AG	SMD1210 L.E.D	67-21SYGC/S530-E1/TR8(gr	3.000	PCS	
MARK:	LD 24 26 27					
41	DLS004AY	SMD1210 L.E.D	67-21UYC/S530-A2/TR8(yel	2.000	PCS	
MARK:	LD 25 28					
42	STRS201	SMD transistor	2SC2412K(R)(MMBT3904LT1)	3.000	PCS	
MARK:	T 10 11 7					
43	STRS103	SMD transistor	2SA1036K(R)(MMBT3906LT1)	4.000	PCS	
MARK:	T 5 6 8 9					
44	SF00039	SMD field effect transis	MMBFJ112(SOT-23)	2.000	PCS	
MARK:	T 3 4					
45	SICS005	SMDintegrated circuit	TL064CDT	5.000	PCS	
MARK:	IC 11 6 7 8 9					
46	SICS301	SMD integrated circuit	BA10339F(ST LM339DT)	1.000	PCS	
MARK:	IC 10					
47	SICS309	SMD integrated circuit	CA3086M96	1.000	PCS	
MARK:	IC 5					

Item No: CLE8.0

specify: AMP

Mid No: standard quantity:

NO	Material No	Item Name	Specific	Quantity	Unit	Ps
	1 RA00678	resistor	560 M型	1.000	PCS	
MARK:	R 25					
	2 RFB256S	1/4W fixed resistor	5.6K S type	3.000	PCS	
MARK:	R 116 32 33					
	3 CE422G	electrotytic capacitor	0.22/50V	2.000	PCS	
MARK:	C 15 19					
	4 CE433G	electrotytic capacitor	0.33uF/50V 5*11	1.000	PCS	
MARK:	C 23					
	5 CE510S	electrolytic capacitor	1/50V 4*7	2.000	PCS	
MARK:	C 21 9					
	6 CE522G	electrolytic capacitor	2.2/50V	3.000	PCS	
MARK:	C 11 14 17					
	7 CE533G	electrolytic capacitor	3.3/50V	1.000	PCS	
MARK:	C 16					
	8 CE547J	electrotytic capacitor	4.7uF/100V	2.000	PCS	
MARK:	C 18 20					
	9 CE647E	electrotytic capacitor	47/25V	2.000	PCS	
MARK:	C 2 22					
	10 CM422IS	metal-film capacitor(MSC)	0.22uF/63V 5% CASE02	1.000	PCS	
MARK:	C 13					
	11 RC00222	potentiometer	B10K R0911NOA-H1B103FJ	1.000	PCS	
MARK:	VR 2					
	12 RC00223	potentiometer	A20K R0911NOA-H1A203FM	1.000	PCS	
MARK:	VR 8					
	13 RC00224	potentiometer	B50K R0911NOA-H1B503FM	2.000	PCS	
MARK:	VR 1 3					
	14 RC00226	potentiometer	A50K R0911NOA-H1A503FJ	2.000	PCS	
MARK:	VR 5 6					
	15 RC00225	potentiometer	B50K R0911NOA-H1B503FJ	2.000	PCS	
MARK:	VR 4 7					
	16 HSWE04		SP70300-0402-11F1-N	3.000	PCS	
MARK:	SW 1 2 6					
	17 HSWE05	swith	SP70300-0202-11F1-N	3.000	PCS	
MARK:	SW 3 4 5					
	18 HC00214	row pin (single)	2.54 180 ° 3P(gold) 15mr	8.000	PCS	固定CLE8.0LED
MARK:	CN 11 13 15 3 5 7 9					
	19 HCSV0107	row-wire header	7P 2.0mm 90 °	1.000	PCS	
MARK:	CN 2					
	20 HA02171	wire	14P-14P 220mm	1.000	PCS	
MARK:	CN 1					
	21 MMCJ17	jumper wire	2.5m/m	1.000	PCS	
MARK:	C 24					
	22 HA01093	wire	7P(公)-7P(母) 40mm AWG28	1.000	PCS	
MARK:	CN 17					

Item No: CLE8.0

specify: AMP

Mid No: standard quantity:

NO	Material No	Item Name	Specific	Quantity	Unit	Ps
	1 HB00728	PC board	CLE80DISPLAY(1*8)_VER02C	1.000	PCS	
MARK:						
	2 HB00729	PC board	CLE80LED(1*100)_VER02083	2.000	PCS	
MARK:						
	3 RPCA0100	SMD 1/10W precise resist	100 ±1% 0603	1.000	PCS	
MARK:	R 17					
	4 RPCA0110	SMD 1/10W precise resist	110 ±1% 0603	1.000	PCS	
MARK:	R 16					
	5 RPCA0200	SMD 1/10W precise resist	200 ±1% 0603	1.000	PCS	
MARK:	R 18					
	6 RPCA0402	SMD 1/10W precise resist	402 ±1% 0603	1.000	PCS	
MARK:	R 19					
	7 RPCA0806	SMD 1/10W precise resist	806 ±1% 0603	1.000	PCS	
MARK:	R 20					
	8 RPCA1100	SMD 1/10W precise resist	1.00K ±1% 0603	1.000	PCS	
MARK:	R 7					
	9 RPCA1158	SMD 1/10W precise resist	1.58K ±1% 0603	1.000	PCS	
MARK:	R 21					
	10 RPCA1200	SMD 1/10W precise resist	2.00K ±1% 0603	1.000	PCS	
MARK:	R 8					
	11 RD00385	resistor	3.01K ±1% 0603	1.000	PCS	
MARK:	R 9					
	12 RD00285	resistor	3.24K ±1% 0603	1.000	PCS	
MARK:	R 22					
	13 RD00364	resistor	4.02K ±1% 0603	1.000	PCS	
MARK:	R 10					
	14 RPCA1499	SMD 1/10W precise resist	14.99K ±1% 0603	4.000	PCS	
MARK:	R 11 12 13 14					
	15 RD00287	resistor	6.34K ±1% 0603	1.000	PCS	
MARK:	R 23					
	16 RPCA1806	SMD 1/10W precise resist	8.06K ±1% 0603	1.000	PCS	
MARK:	R 24					
	17 RPCA2150	SMD 1/10W precise resist	15.0K ±1% 0603	2.000	PCS	
MARK:	R 3 5					
	18 RD00317	resistor	39.2K ±1% 0603	2.000	PCS	
MARK:	R 4 6					
	19 RPCA2866	SMD 1/10W precise resist	86.6K ±1% 0603	1.000	PCS	
MARK:	R 15					
	20 RFCF000	SMD 1/10W fixed resistor	0 ±5% 0603	2.000	PCS	
MARK:	R 118 125					
	21 RPCH0560	SMD 1/4W precise resistor	560 ±1% 1206	1.000	PCS	
MARK:	R 2					
	22 RPCH1100	SMD 1/4W precise resistor	1.00K ±1% 1206	1.000	PCS	
MARK:	R 1					
	23 RFCH022	1/4W precise resistor	22 ±5% 1206	1.000	PCS	
MARK:	R 28					
	24 CI00128	capacitor	0.1uF/25V Y5V +80,-20%	1.000	PCS	
MARK:	C 1					

Item No: CLE8.0

specify: AMP

Mid No: standard quantity:

NO	Material No	Item Name	Specific	Quantity	Unit	Ps
25	SE00036	L.E.D	超亮桔 LG-150SD-CT(1206)	12.000	PCS	綠色端點為負
MARK: LED 1 16 18 2 21 22 3 4 5 6 7 8						
26	SE00034	L.E.D	黃 LG-150Y-CT(1206)	3.000	PCS	綠色端點為負
MARK: LED 14 15 20						
27	SE00035	L.E.D	綠 LG-150G-CT(1206)	7.000	PCS	綠色端點為負
MARK: LED 10 11 12 13 17 19 9						
28	STRS103	SMD transistor	2SA1036K(R)(MMBT3906LT1)	2.000	PCS	
MARK: T 1 2						
29	SICS301	SMD integrated circuit	BA10339F(ST LM339DT)	4.000	PCS	
MARK: IC 1 2 3 4						

Item No: CLE8.0

specify: AMP

Mid No: standard quantity:

NO	Material No	Item Name	Specific	Quantity	Unit	Ps
	1 HB00728	PC board	CLE80DISPLAY(1*8)_VER02C	1.000	PCS	
MARK:						
	2 HB00729	PC board	CLE80LED(1*100)_VER02083	2.000	PCS	
MARK:						
	3 RPCA0100	SMD 1/10W precise resist	100 ±1% 0603	1.000	PCS	
MARK:	R 17					
	4 RPCA0110	SMD 1/10W precise resist	110 ±1% 0603	1.000	PCS	
MARK:	R 16					
	5 RPCA0200	SMD 1/10W precise resist	200 ±1% 0603	1.000	PCS	
MARK:	R 18					
	6 RPCA0402	SMD 1/10W precise resist	402 ±1% 0603	1.000	PCS	
MARK:	R 19					
	7 RPCA0806	SMD 1/10W precise resist	806 ±1% 0603	1.000	PCS	
MARK:	R 20					
	8 RPCA1100	SMD 1/10W precise resist	1.00K ±1% 0603	1.000	PCS	
MARK:	R 7					
	9 RPCA1158	SMD 1/10W precise resist	1.58K ±1% 0603	1.000	PCS	
MARK:	R 21					
	10 RPCA1200	SMD 1/10W precise resist	2.00K ±1% 0603	1.000	PCS	
MARK:	R 8					
	11 RD00385	resistor	3.01K ±1% 0603	1.000	PCS	
MARK:	R 9					
	12 RD00285	resistor	3.24K ±1% 0603	1.000	PCS	
MARK:	R 22					
	13 RD00364	resistor	4.02K ±1% 0603	1.000	PCS	
MARK:	R 10					
	14 RPCA1499	SMD 1/10W precise resist	14.99K ±1% 0603	4.000	PCS	
MARK:	R 11 12 13 14					
	15 RD00287	resistor	6.34K ±1% 0603	1.000	PCS	
MARK:	R 23					
	16 RPCA1806	SMD 1/10W precise resist	8.06K ±1% 0603	1.000	PCS	
MARK:	R 24					
	17 RPCA2150	SMD 1/10W precise resist	15.0K ±1% 0603	2.000	PCS	
MARK:	R 3 5					
	18 RD00317	resistor	39.2K ±1% 0603	2.000	PCS	
MARK:	R 4 6					
	19 RPCA2866	SMD 1/10W precise resist	86.6K ±1% 0603	1.000	PCS	
MARK:	R 15					
	20 RFCF000	SMD 1/10W fixed resistor	0 ±5% 0603	2.000	PCS	
MARK:	R 117 126					
	21 RPCH0560	SMD 1/4W precise resistor	560 ±1% 1206	1.000	PCS	
MARK:	R 2					
	22 RPCH1100	SMD 1/4W precise resistor	1.00K ±1% 1206	1.000	PCS	
MARK:	R 1					
	23 RFCH022	1/4W precise resistor	22 ±5% 1206	1.000	PCS	
MARK:	R 28					
	24 CI00128	capacitor	0.1uF/25V Y5V +80, -20%	1.000	PCS	
MARK:	C 1					

Item No: CLE8.0

specify: AMP

Mid No: standard quantity:

NO	Material No	Item Name	Specific	Quantity	Unit	Ps
25	SE00036	L.E.D	超亮桔 LG-150SD-CT(1206)	12.000	PCS	綠色端點為負
MARK: LED 1 16 18 2 21 22 3 4 5 6 7 8						
26	SE00034	L.E.D	黃 LG-150Y-CT(1206)	3.000	PCS	綠色端點為負
MARK: LED 14 15 20						
27	SE00035	L.E.D	綠 LG-150G-CT(1206)	7.000	PCS	綠色端點為負
MARK: LED 10 11 12 13 17 19 9						
28	STRS103	SMD transistor	2SA1036K(R)(MMBT3906LT1)	2.000	PCS	
MARK: T 1 2						
29	SICS301	SMD integrated circuit	BA10339F(ST LM339DT)	4.000	PCS	
MARK: IC 1 2 3 4						

Item No: CLE8.0

specify: AMP

Mid No: standard quantity:

NO	Material No	Item Name	Specific	Quantity	Unit	Ps
	1 HB00730	PC board	CLE80PU(1*8)_VER020826	1.000	PCS	
MARK:						
	2 RPCAG470	SMD 1/10W precise resis	47.0 ±1% 0603	1.000	PCS	
MARK:	R 13					
	3 RD00297	resistor	60.4 ±1% 0603	2.000	PCS	
MARK:	R 23 28					
	4 RPCA0200	SMD 1/10W precise resis	200 ±1% 0603	2.000	PCS	
MARK:	R 34 35					
	5 RPCA1100	SMD 1/10W precise resis	1.00K ±1% 0603	3.000	PCS	
MARK:	R 30 31 33					
	6 RD00271	SMD 1/10W precise resis	2.67K ±1% 0603	1.000	PCS	
MARK:	R 21					
	7 RD00363	resistor	3.16K ±1% 0603	2.000	PCS	
MARK:	R 18 25					
	8 RD00285	resistor	3.24K ±1% 0603	1.000	PCS	
MARK:	R 26					
	9 RD00286	resistor	4.53K ±1% 0603	2.000	PCS	
MARK:	R 24 27					
	10 RD00386	resistor	4.75K ±1% 0603	1.000	PCS	
MARK:	R 11					
	11 RD00299	resistor	5.76K ±1% 0603	1.000	PCS	
MARK:	R 22					
	12 RD00300	resistor	6.04K ±1% 0603	1.000	PCS	
MARK:	R 29					
	13 RPCA2100	SMD 1/10W precise resis	10.0K ±1% 0603	2.000	PCS	
MARK:	R 19 20					
	14 RPCA2121	SMD 1/10W precise resis	12.1K ±1% 0603	2.000	PCS	
MARK:	R 10 15					
	15 RPCA2133	SMD 1/10W precise resis	13.3K ±1% 0603	4.000	PCS	
MARK:	R 1 2 3 4					
	16 RPCA2200	SMD 1/10W precise resis	20.0K ±1% 0603	3.000	PCS	
MARK:	R 16 5 7					
	17 RPCA2280	SMD 1/10W precise resis	28.0K ±1% 0603	1.000	PCS	
MARK:	R 17					
	18 RPCA2576	SMD 1/10W precise resis	57.6K ±1% 0603	3.000	PCS	
MARK:	R 6 8 9					
	19 RPCA3130	SMD 1/10W precise resis	130K ±1% 0603	1.000	PCS	
MARK:	R 32					
	20 RPCA3301	SMD 1/10W precise resis	301K ±1% 0603	1.000	PCS	
MARK:	R 14					
	21 CCE010B	SMD0603 ceramic capacitc	10PF NPO ±5% -5C	4.000	PCS	
MARK:	C 17 3 4 9					
	22 CCE047B	SMD0603 ceramic capacitc	47PF NPO ±5% -5C	3.000	PCS	
MARK:	C 1 10 2					
	23 CCE147B	SMD0603 ceramic capacitc	470PF NPO ±5% -5C	5.000	PCS	
MARK:	C 18 19 5 6 7					
	24 CI00128	capacitor	0.1uF/25V Y5V +80, -20%	8.000	PCS	
MARK:	C 11 12 13 14 21 22 23 24					

Item No: CLE8.0

specify: AMP

Mid No: standard quantity:

NO	Material No	Item Name	Specific	Quantity	Unit	Ps
25	DRS0005	SMD rectifier diode	RLS4148 0.5A (LL-34)	1.000	PCS	
MARK:D	1					
26	SG00122	SMD integrated circuit	NJM4580M-TE3	3.000	PCS	
MARK:IC	1 2 4					

Item No: CLE8.0

specify: AMP

Mid No: standard quantity:

NO	Material No	Item Name	Specific	Quantity	Unit	Ps
	1 RCB345E	carbon trimmer resistor	6FE horizontal EVND8A 5C	1.000	PCS	
MARK:VR	1					
	2 CE610S	electrolytic capacitor	10/50V 6.3*7	2.000	PCS	
MARK:C	15 16					
	3 CE647E	electrolytic capacitor	47/25V	1.000	PCS	
MARK:C	8					
	4 SIC208	integrated circuit	THAT2150A	1.000	PCS	
MARK:IC	3					
	5 HI00163	SW	PS-42E85L(3.3x3.3)	1.000	PCS	
MARK:SW	1					
	6 HC00392	balance mic socket	JY-5030-030G 公插插板式	1.000	PCS	
MARK:X	6					
	7 HC5M61	MIC jack for balance	JY-5042-030G female plug	1.000	PCS	
MARK:X	1					
	8 HC00125	MIC jack	JY-6351G-02-250	4.000	PCS	
MARK:X	2 3 4 5					
	9 HCSI0203	row-wire header	3P 2.5mm 180 °	2.000	PCS	
MARK:CN	2 3					
	10 HC00321	row-wire header	14P 2.0mm 180 °	1.000	PCS	
MARK:CN	1					

Item No: CLE8.0

specify: AMP

Mid No: standard quantity:

NO	Material No	Item Name	Specific	Quantity	Unit	Ps
	1 HB00730	PC board	CLE80PU(1*8)_VER020826	1.000	PCS	
MARK:						
	2 RPCAG470	SMD 1/10W precise resis	47.0 ±1% 0603	1.000	PCS	
MARK:	R 13					
	3 RD00297	resistor	60.4 ±1% 0603	2.000	PCS	
MARK:	R 23 28					
	4 RPCA0200	SMD 1/10W precise resis	200 ±1% 0603	2.000	PCS	
MARK:	R 34 35					
	5 RPCA1100	SMD 1/10W precise resis	1.00K ±1% 0603	4.000	PCS	CHANNEL1之R12
MARK:	R 12 30 31 33					
	6 RD00271	SMD 1/10W precise resis	2.67K ±1% 0603	1.000	PCS	
MARK:	R 21					
	7 RD00363	resistor	3.16K ±1% 0603	2.000	PCS	
MARK:	R 18 25					
	8 RD00285	resistor	3.24K ±1% 0603	1.000	PCS	
MARK:	R 26					
	9 RD00286	resistor	4.53K ±1% 0603	2.000	PCS	
MARK:	R 24 27					
	10 RD00386	resistor	4.75K ±1% 0603	1.000	PCS	
MARK:	R 11					
	11 RD00299	resistor	5.76K ±1% 0603	1.000	PCS	
MARK:	R 22					
	12 RD00300	resistor	6.04K ±1% 0603	1.000	PCS	
MARK:	R 29					
	13 RPCA2100	SMD 1/10W precise resis	10.0K ±1% 0603	2.000	PCS	
MARK:	R 19 20					
	14 RPCA2121	SMD 1/10W precise resis	12.1K ±1% 0603	2.000	PCS	
MARK:	R 10 15					
	15 RPCA2133	SMD 1/10W precise resis	13.3K ±1% 0603	4.000	PCS	
MARK:	R 1 2 3 4					
	16 RPCA2200	SMD 1/10W precise resis	20.0K ±1% 0603	3.000	PCS	
MARK:	R 16 5 7					
	17 RPCA2280	SMD 1/10W precise resis	28.0K ±1% 0603	1.000	PCS	
MARK:	R 17					
	18 RPCA2576	SMD 1/10W precise resis	57.6K ±1% 0603	3.000	PCS	
MARK:	R 6 8 9					
	19 RPCA3130	SMD 1/10W precise resis	130K ±1% 0603	1.000	PCS	
MARK:	R 32					
	20 RPCA3301	SMD 1/10W precise resis	301K ±1% 0603	1.000	PCS	
MARK:	R 14					
	21 CCE010B	SMD0603 ceramic capacitc	10PF NPO ±5% -5C	4.000	PCS	
MARK:	C 17 3 4 9					
	22 CCE047B	SMD0603 ceramic capacitc	47PF NPO ±5% -5C	3.000	PCS	
MARK:	C 1 10 2					
	23 CCE147B	SMD0603 ceramic capacitc	470PF NPO ±5% -5C	5.000	PCS	
MARK:	C 18 19 5 6 7					
	24 CI00128	capacitor	0.1uF/25V Y5V +80, -20%	8.000	PCS	
MARK:	C 11 12 13 14 21 22 23 24					

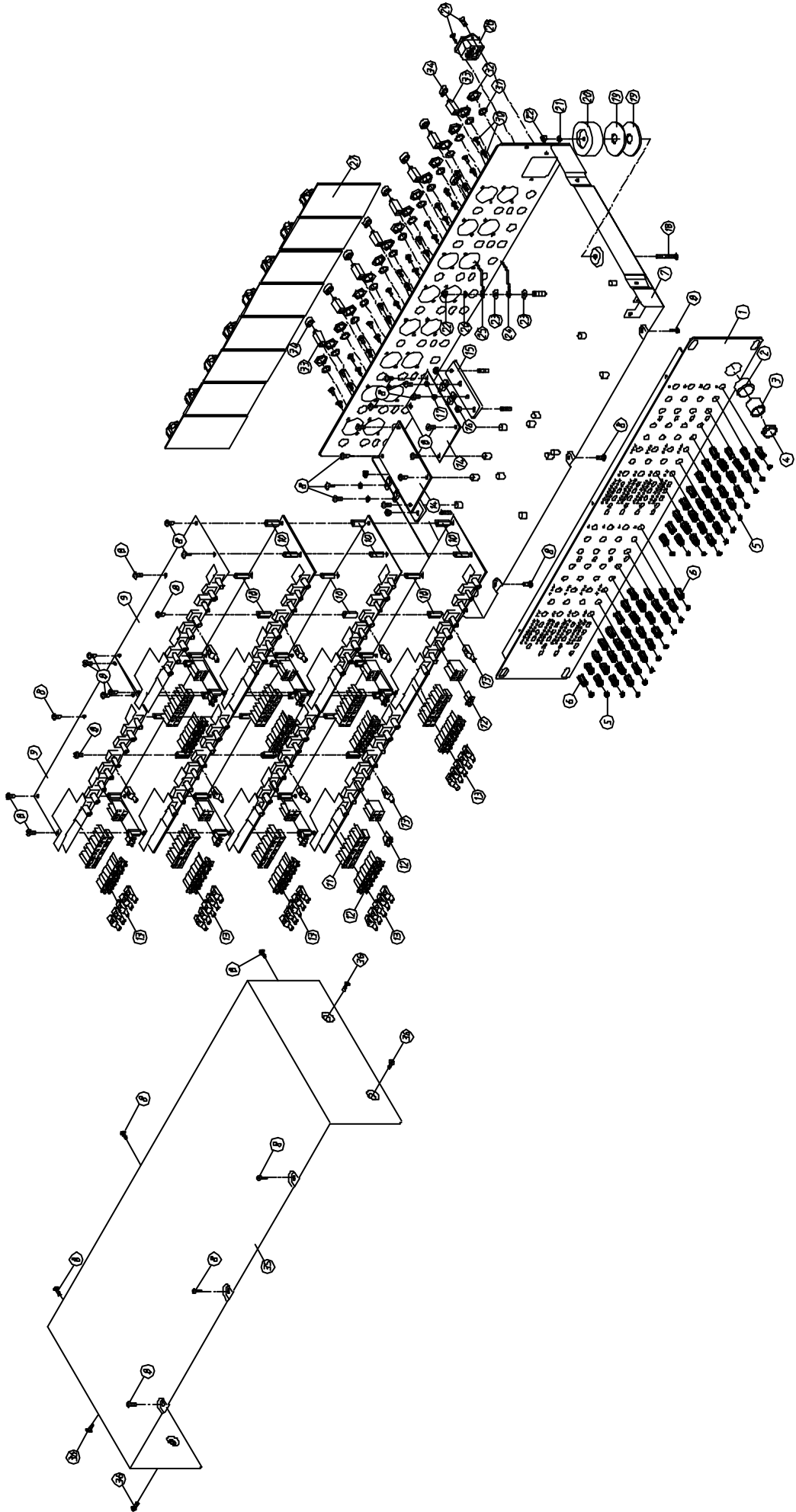
Item No: CLE8.0

specify: AMP

Mid No: standard quantity:

NO	Material No	Item Name	Specific	Quantity	Unit	Ps
25	DRS0005	SMD rectifier diode	RLS4148 0.5A (LL-34)	1.000	PCS	
MARK:D	1					
26	SG00122	SMD integrated circuit	NJM4580M-TE3	3.000	PCS	
MARK:IC	1 2 4					

8. Exploded Views



機種:CLEB.0
図号:CLEB-00
日期:2002/9/03