

# **Service** *Manual*

MODEL: CYCLONE160/240/320

## CONTENT

|   |    |
|---|----|
| 1. Introduction .....                                     | 1  |
| 2. Specification .....                                    | 2  |
| 3. Block Diagram .....                                    | 4  |
| 4. Schematic Diagram .....                                | 5  |
| 5. Wiring Diagram .....                                   | 33 |
| 6. <b>Printed Circuit Board</b> .....                     | 37 |
| 7. <b>Exploded View &amp; Mechanical Parts List</b> ..... | 44 |
| 8. <b>Electrical Parts List</b> .....                     | 53 |

## 1. Introduction

- Pre-insert preamp Level Set LED
- Extremely high headroom offering excellent dynamic range.
- Pre-fader, pre-EQ channel insert.
- MIC input channels with golden plated XLRs and balanced LINE inputs.
- 2-band fixed and 2-band sweep EQ on mono channels.
- 4 Stereo input channels with left-right balanced TRS jacks, and mono MIC
- Ultra-low noise discrete MIC Preamps with +48V Phantom Power
- 100mm high precision faders
- Each input channel features Mute & SOLO switches, Overload & signal present LEDs and low cut filters.
- Fader CLIP LED
- SUB 1-2-3-4 & MAIN L-R signal assignment switch.
- 6 AUX all individually assignable pre/post with AFL mode.
- Channel insert on each mono channel for connection of outboard equipment.
- Main Mix insert for flexible connection of outboard equipment.
- 4 AUX return inputs can output from AUX 1-6 and PLF output
- Fully assignable Oscillator and Talkback sections.
- XLR socket for lighting lamps.
- 2-TRACK IN path.
- Highly accurate 8 segment output level meters.

## 2. Specification

### Electronics

| <b>Input</b>                         |  |
|--------------------------------------|--|
| Input Impedance                      | Mic 2kohm Balanced                                     |
|                                      | Line 10kohm Balanced                                   |
| Input Gain Mic                       | Continuously variable from 0dB to +60dB                |
| Input Gain Line - Mono Channel       | Continuously variable from -25dB to +35dB              |
| Input Gain Line - Stereo Channel     | Continuously variable from -20dB to +20dB              |
| Maximum Input Level                  | Mic +22dBu   |
|                                      | Line (Mono Channel) +22dBu                             |
|                                      | Line (Stereo Channel) +22dBu                           |
| Insert send impedance                | 100ohm Unbalanced                                      |
| Insert send level / Max.             | -10dBu / +22dBu  |
| Insert return impedance              | 10kohm Unbalanced                                      |
| Insert return level / Max.           | -10dBu / +22dBu  |
| CMR at 1kHz Line (20Hz - 20kHz)      | > 80dB   |
| Frequency response                   | Mic to Mix 20Hz - 20kHz +0/-1dB                        |
| Signal/Noise Ratio (20Hz - 20kHz)    | Mic EIN ref. 150ohms - 101dBu (gain +60dB)             |
| System Noise (20Hz - 20kHz)          |  |
| Summing Noise                        | -85dBu (16 channels routed with faders down)           |
| Line to Mix Noise                    | -83dBu (16 channels routed at 0dB, pan centre)         |
| Distortion at 1kHz                   | Mic to Insert (+30dB unity gain, +20dBu output) <0.01% |
|                                      | Mic to Mix (+30dB unity gain, +20dBu output) Typ 0.03% |
| Crosstalk at 1kHz channel to channel | > -75dB  |
| Mix to Mix                           | > -78dB  |
| Channel to Mix                       | > -80dB  |
| Fader Attenuation                    | > 100dB  |

| <b>Output (Nominal Signal Level Mic -60dBu to 0dBu - Line 0dBu)</b> |                                  |
|---|----------------------------------|
| Output Impedance  | All Line Outputs 100ohm Balanced |
| Insert send impedance   | 100ohm Unbalanced                |
| Insert send level / Max.  | +22dBu                           |
| Insert return impedance   | 10kohm Unbalanced                |
| Insert return level / Max.  | +22dBu                           |
| Maximum Output Level Master Outputs on XLR                          | +22dBu                           |
| All other Outputs on XLR  | +22dBu                           |
| All Outputs on 1/4 inch jacks                                       | +22dBu                           |
| Headphones  | +22dBu/600ohm                    |

| <b>Equaliser - Mono Channel</b> |  |
|---------------------------------|--|
| Treble - shelving               | <b>+15/-15dB@15KHz</b>   |
| Hi Mid - peak/dip               | <b>+15/-15dB</b> - frequency range <b>800 - 8kHz</b> - bandwidth <b>1 octave</b>   |
| Lo Mid - peak/dip               | <b>+15/-15dB</b> - frequency range <b>160 - 1.6kHz</b> - bandwidth <b>1 octave</b> |
| Bass - shelving                 | <b>+15/-15dB@ 80Hz</b>   |
| Hi Pass Filter                  | slope <b>12dB/Oct.</b>   |

| <b>Equaliser - Stereo Channel</b>    |                          |
|--------------------------------------|--------------------------|
| Treble - shelving                    | <b>+15/-15dB @ 12kHz</b> |
| Hi Mid - peak/dip                    | <b>+15/-15dB @ 3kHz</b>  |
| Lo Mid - peak/dip                    | <b>+15/-15dB @ 400Hz</b> |
| Bass - shelving                      | <b>+15/-15dB @ 80Hz</b>  |
| Hi Pass Filter (for mono input only) | slope <b>12dB/Oct.</b>   |

Due to ▲LTO policy of continual research and product improvement, specification, features and mixer layout may be subject to change without notice.

### Features and Connectors

| <b>Inputs</b>   |                                    |   |  |                     |             |
|-----------------|------------------------------------|---|--|---------------------|-------------|
| <b>Mono ch.</b> |                                    | <b>Stereo ch.</b>                                   |  | <b>St. Fx. Ret.</b> | <b>Tape</b> |
| <b>160</b>      | <b>8</b> (w. XLR & 1/4" TRS jack)  | <b>8</b> (stereo in 2x1/4" TRS jack & mono in XLR ) |  | <b>8</b>            | <b>2</b>    |
| <b>240</b>      | <b>16</b> (w. XLR & 1/4" TRS jack) | <b>8</b> (stereo in 2x1/4" TRS jack & mono in XLR ) |  | <b>8</b>            | <b>2</b>    |
| <b>320</b>      | <b>24</b> (w. XLR & 1/4" TRS jack) | <b>8</b> (stereo in 2x1/4" TRS jack & mono in XLR ) |  | <b>8</b>            | <b>2</b>    |

|            | <b>Busses</b> |               |              | <b>Output</b>    |               |                  |              |                  |
|------------|---------------|---------------|--------------|------------------|---------------|------------------|--------------|------------------|
|            | <b>Grps</b>   | <b>Master</b> | <b>Auxes</b> | <b>Grps</b>      | <b>Master</b> | <b>Auxes</b>     | <b>Tape</b>  | <b>Mon</b>       |
| <b>160</b> | 4             | 2             | 6            | 4 (1/4"TRS jack) | 2 (XLR)       | 6 (1/4"TRS jack) | 2 (RCA jack) | 2 (1/4"TRS jack) |
| <b>240</b> | 4             | 2             | 6            | 4 (1/4"TRS jack) | 2 (XLR)       | 6 (1/4"TRS jack) | 2 (RCA jack) | 2 (1/4"TRS jack) |
| <b>320</b> | 4             | 2             | 6            | 4 (1/4"TRS jack) | 2 (XLR)       | 6 (1/4"TRS jack) | 2 (RCA jack) | 2 (1/4"TRS jack) |

### General

|             | <b>Dimensions (W × D × H)</b> |                          | <b>Weight</b> |           | <b>Power</b> |
|-------------|-------------------------------|--------------------------|---------------|-----------|--------------|
|             | In inches                     | in mm.                   | Lbs.          | Kg.       | Consumption  |
| CYCLONE 160 | <b>17.3" × 28.7" × 5.3"</b>   | <b>439.5 × 730 × 135</b> | <b>28.66</b>  | <b>13</b> | <b>49W</b>   |
| CYCLONE 240 | <b>24.4" × 28.7" × 5.3"</b>   | <b>618.5 × 730 × 135</b> | <b>39.68</b>  | <b>18</b> | <b>64W</b>   |
| CYCLONE 320 | <b>32" × 28.7" × 5.3"</b>     | <b>812 × 730 × 135</b>   | <b>50.71</b>  | <b>23</b> | <b>77W</b>   |

### Power supply (AC/DC)

|              | <b>Dimensions (W × D × H )</b> |                       | <b>Weight</b> | <b>Main voltage</b>   |
|--------------|--------------------------------|-----------------------|---------------|---|
|              | In inches                      | in mm.                | Kg.           |   |
| CYCLONE • PS | <b>12.2" × 2.7" × 8.3"</b>     | <b>209 × 190 × 67</b> | <b>2.27</b>   | USA/Canada 100 - 120V ~, 60Hz<br>Europe 210 - 230V ~, 50Hz<br>U.K./Australia 240V ~, 50Hz |

### Options

**Flight case**

**12 V Desk Lamp**

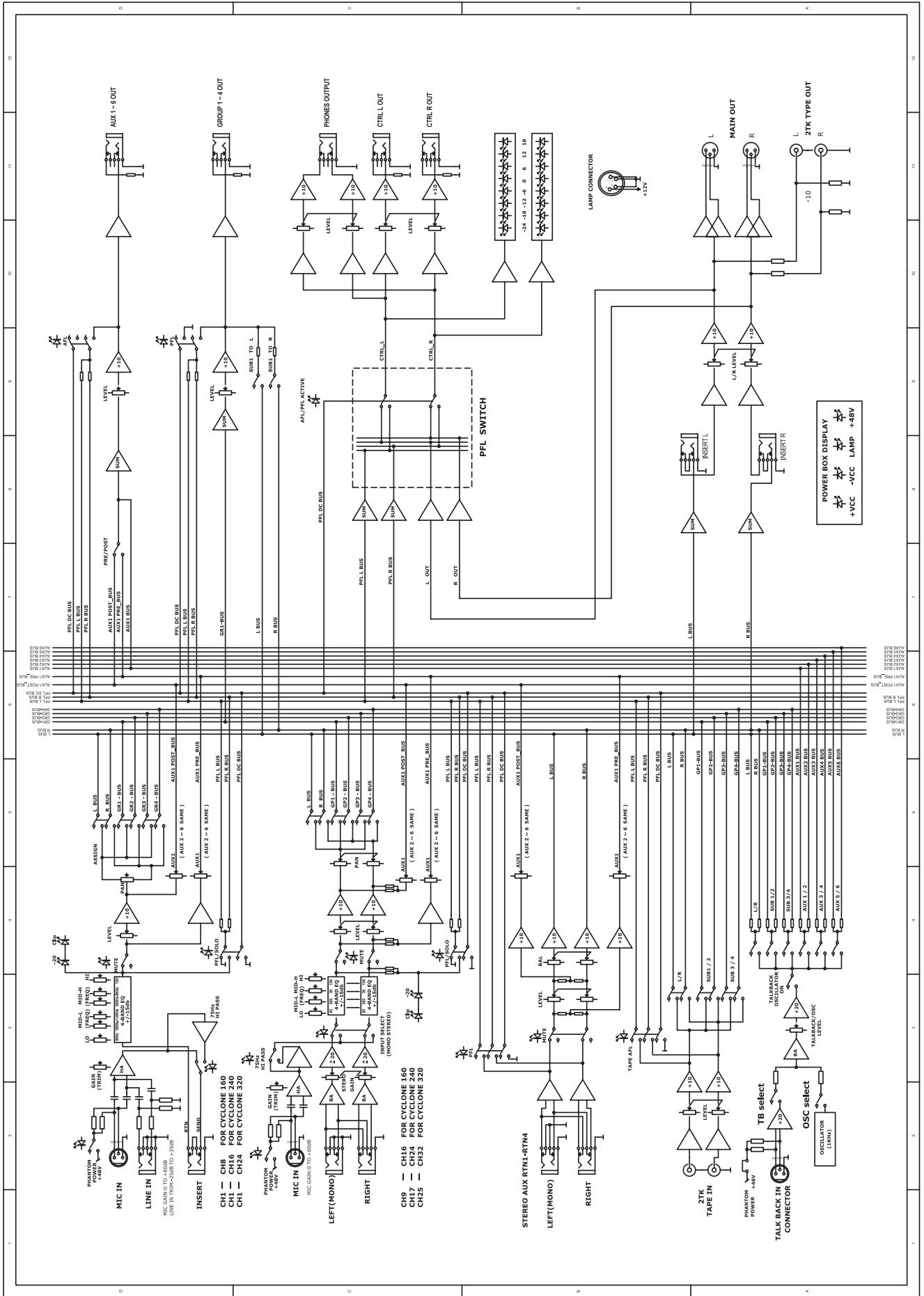
**External Power Supply**

**160FC 240FC 320FC**

**12V/6W (4-Pin XLR)**

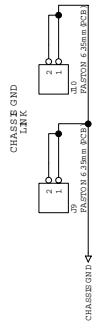
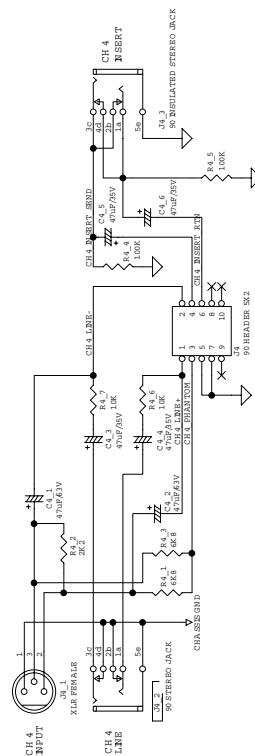
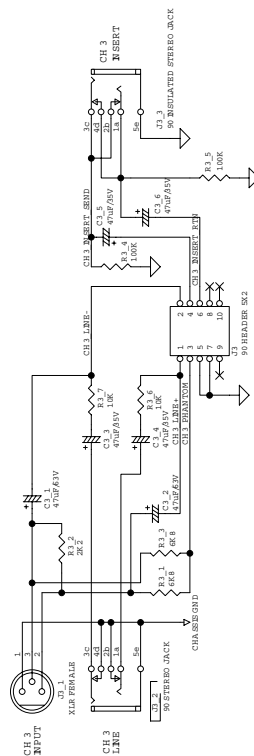
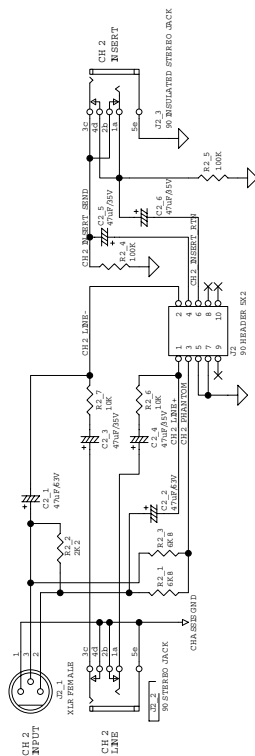
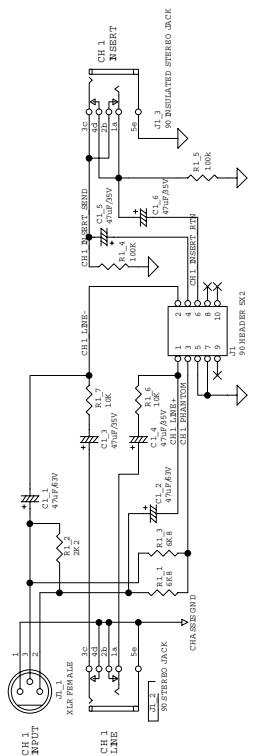
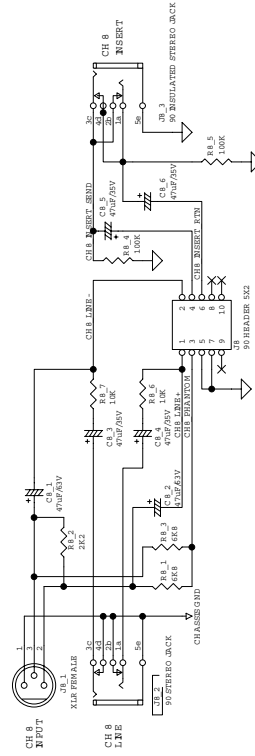
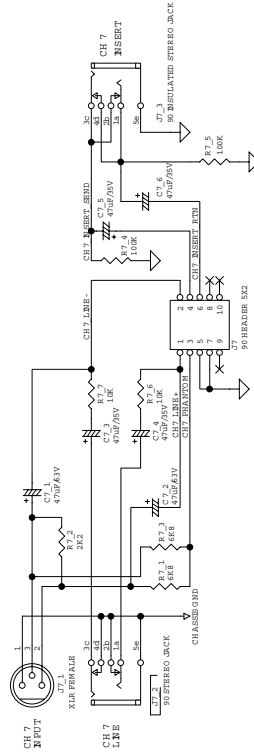
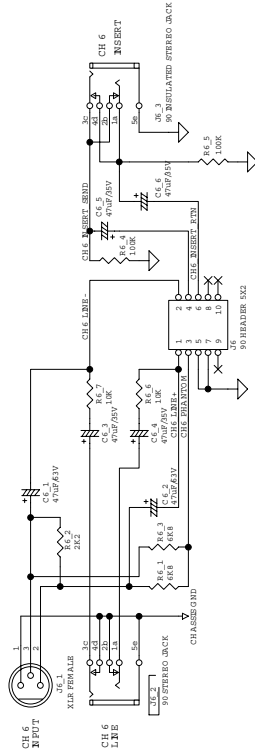
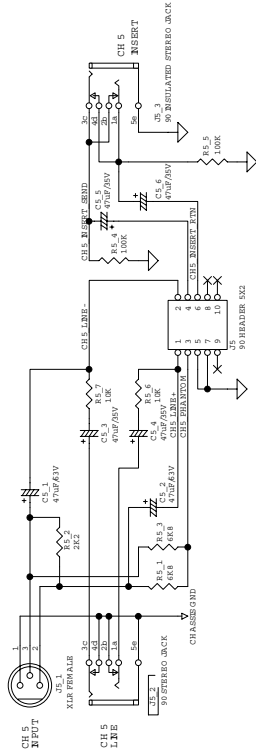
**160EPS 240EPS 320EPS**

# 3. Block Diagram

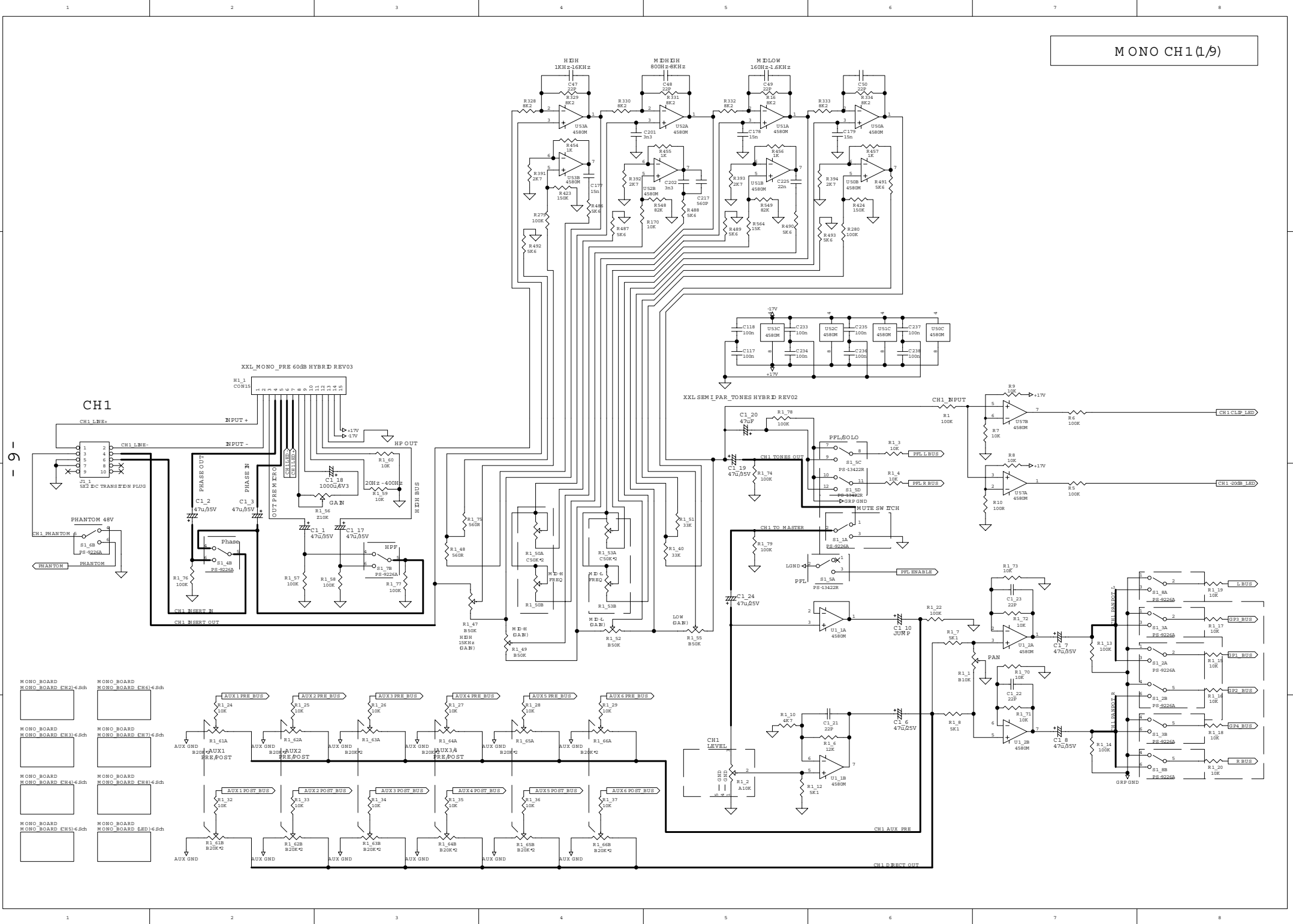


# 4. Schematic Diagram

MONO\_CONNECTOR



MONO CH1 (1/9)

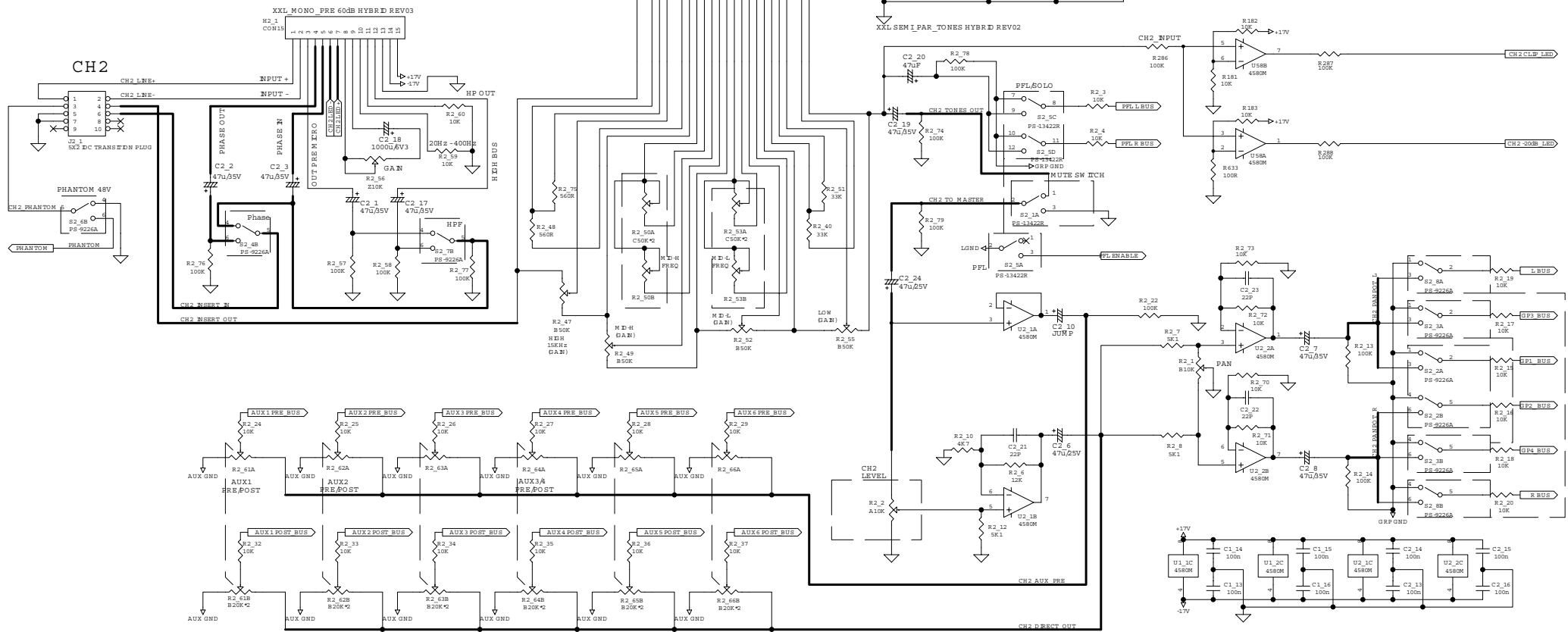


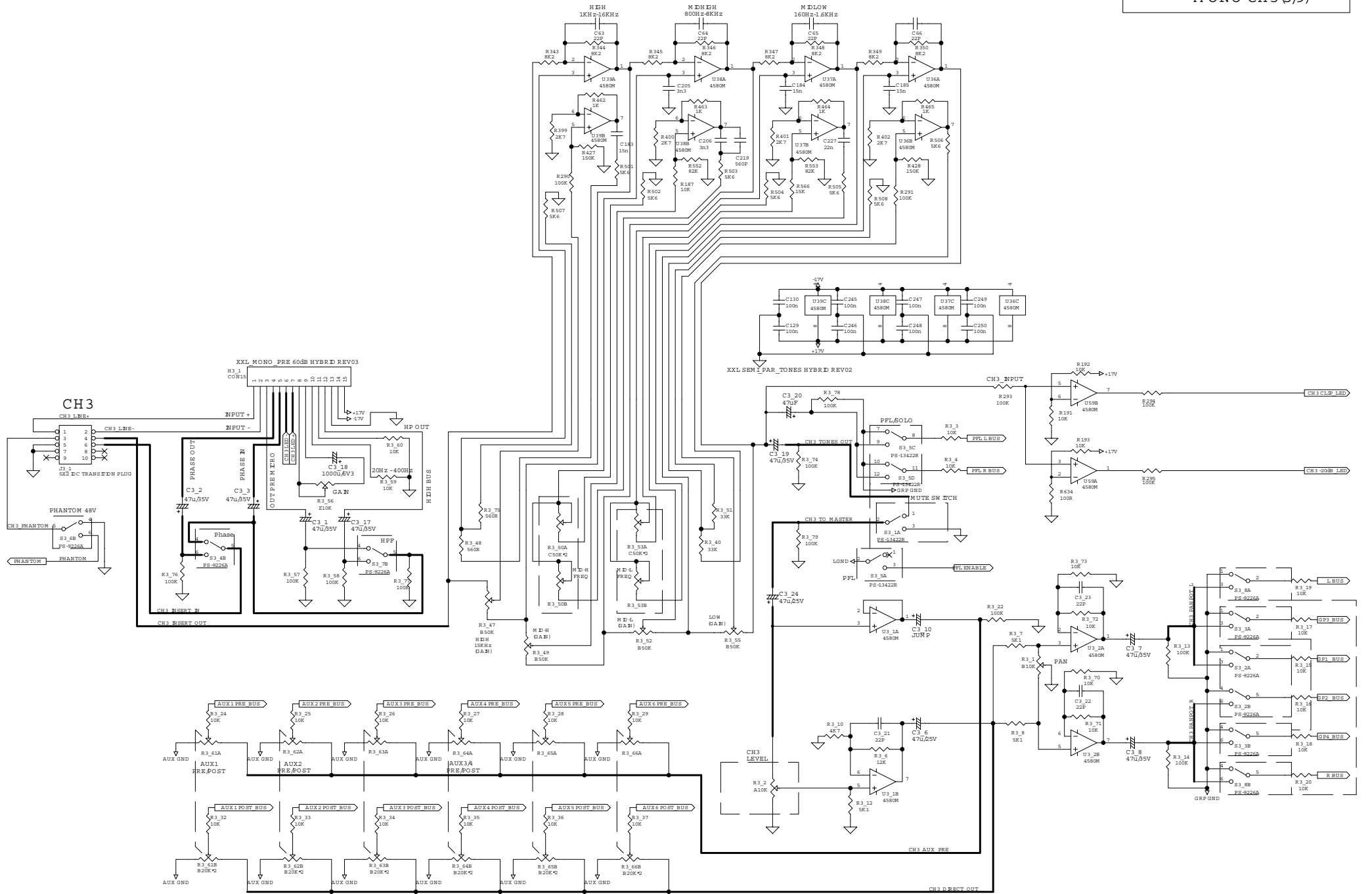
- 9 -

- MONO BOARD MONO BOARD CH2 1.48ch
- MONO BOARD MONO BOARD CH6 1.48ch
- MONO BOARD MONO BOARD CH3 1.48ch
- MONO BOARD MONO BOARD CH7 1.48ch
- MONO BOARD MONO BOARD CH4 1.48ch
- MONO BOARD MONO BOARD CH8 1.48ch
- MONO BOARD MONO BOARD CH5 1.48ch
- MONO BOARD MONO BOARD LBD 1.48ch

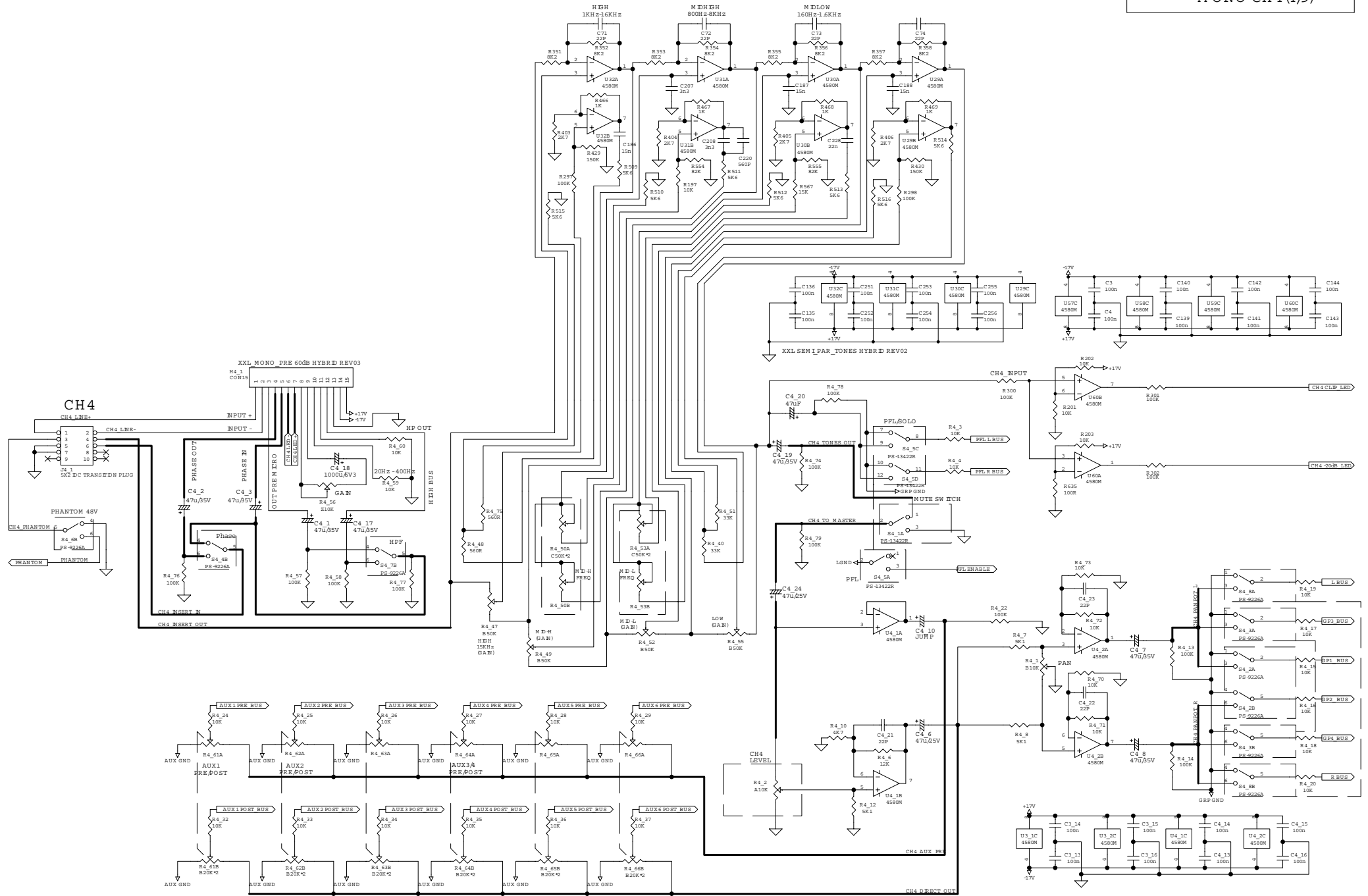


MONO CH2 (2/9)

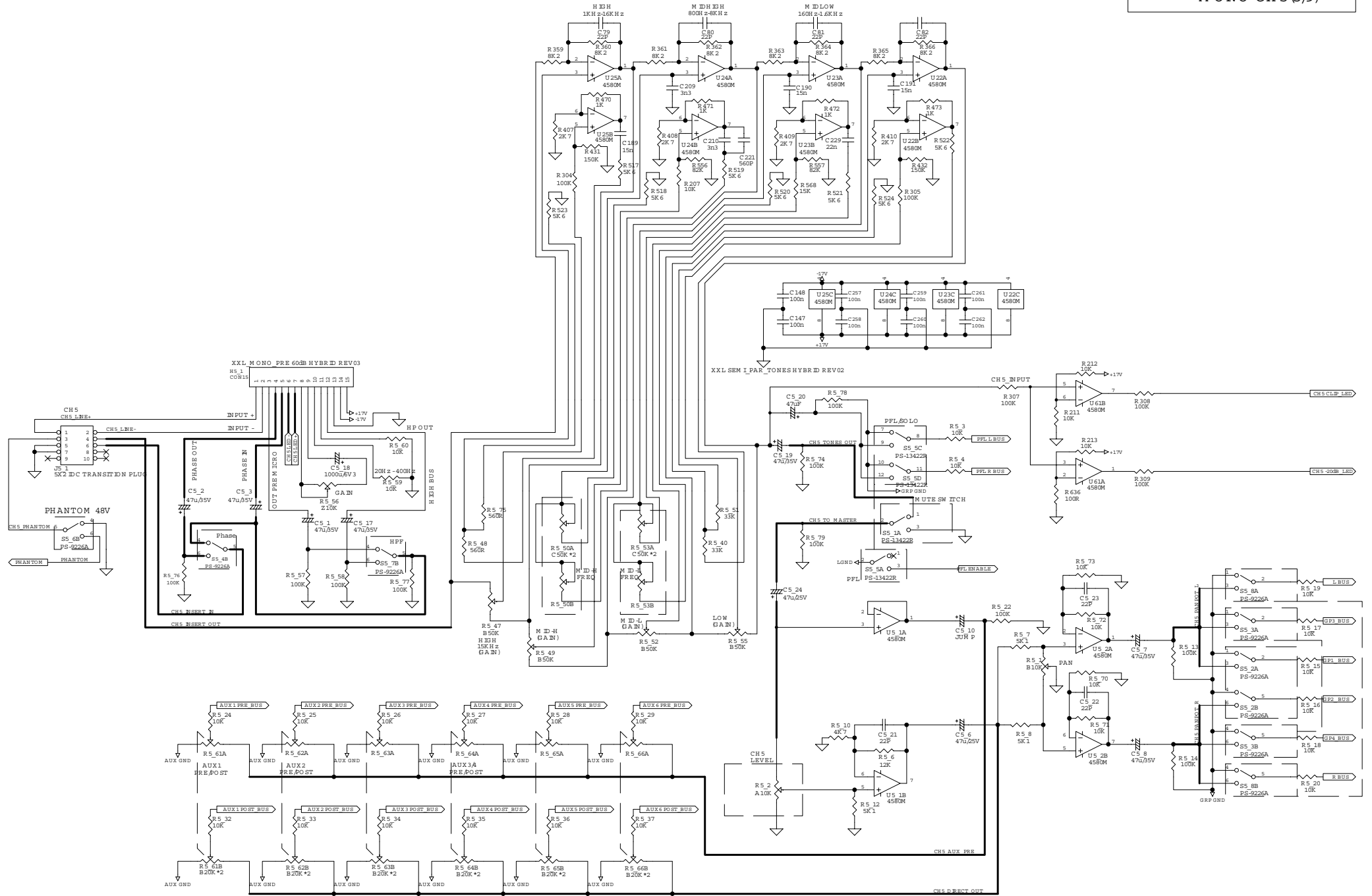


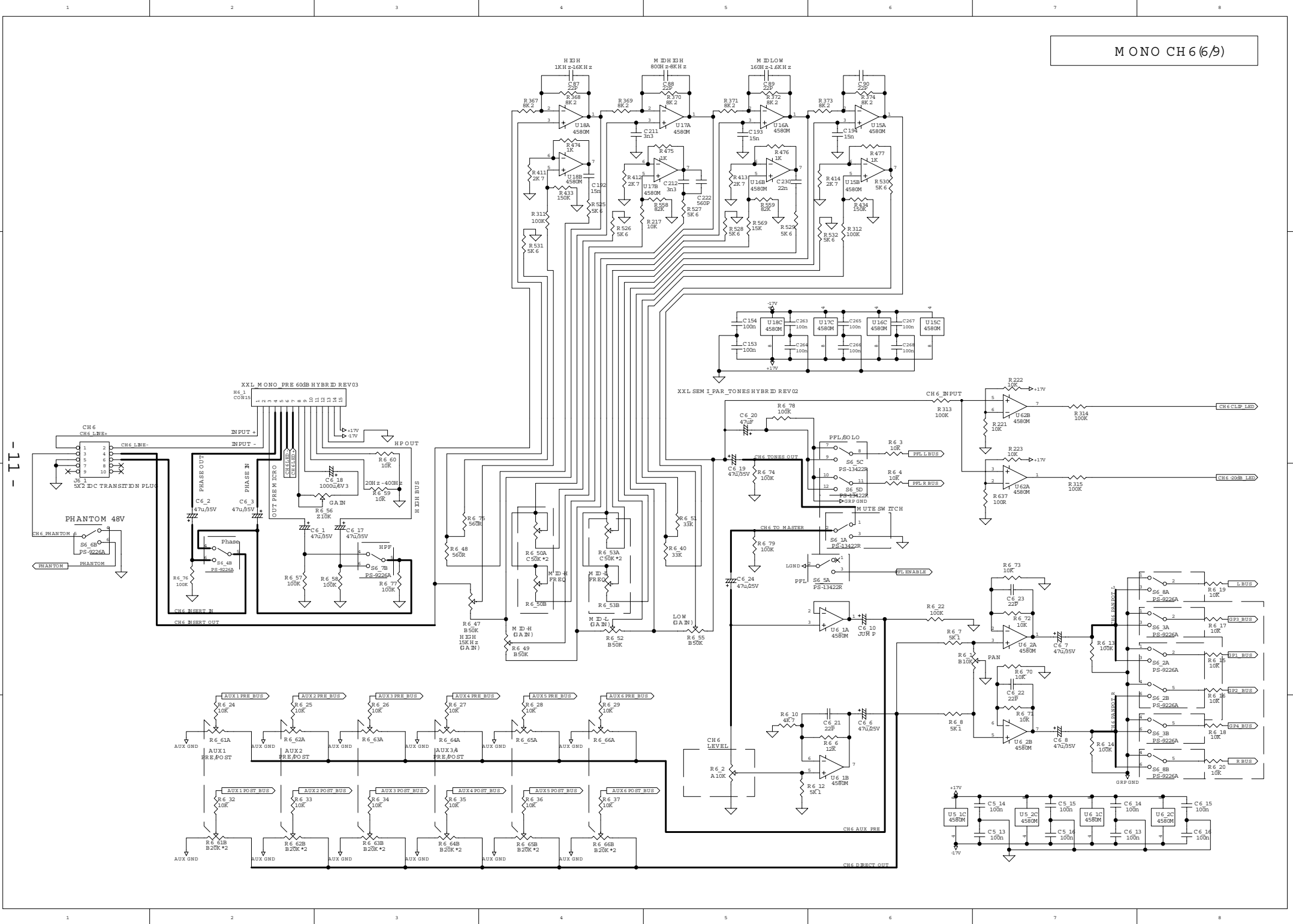


MONO CH4 (4/9)

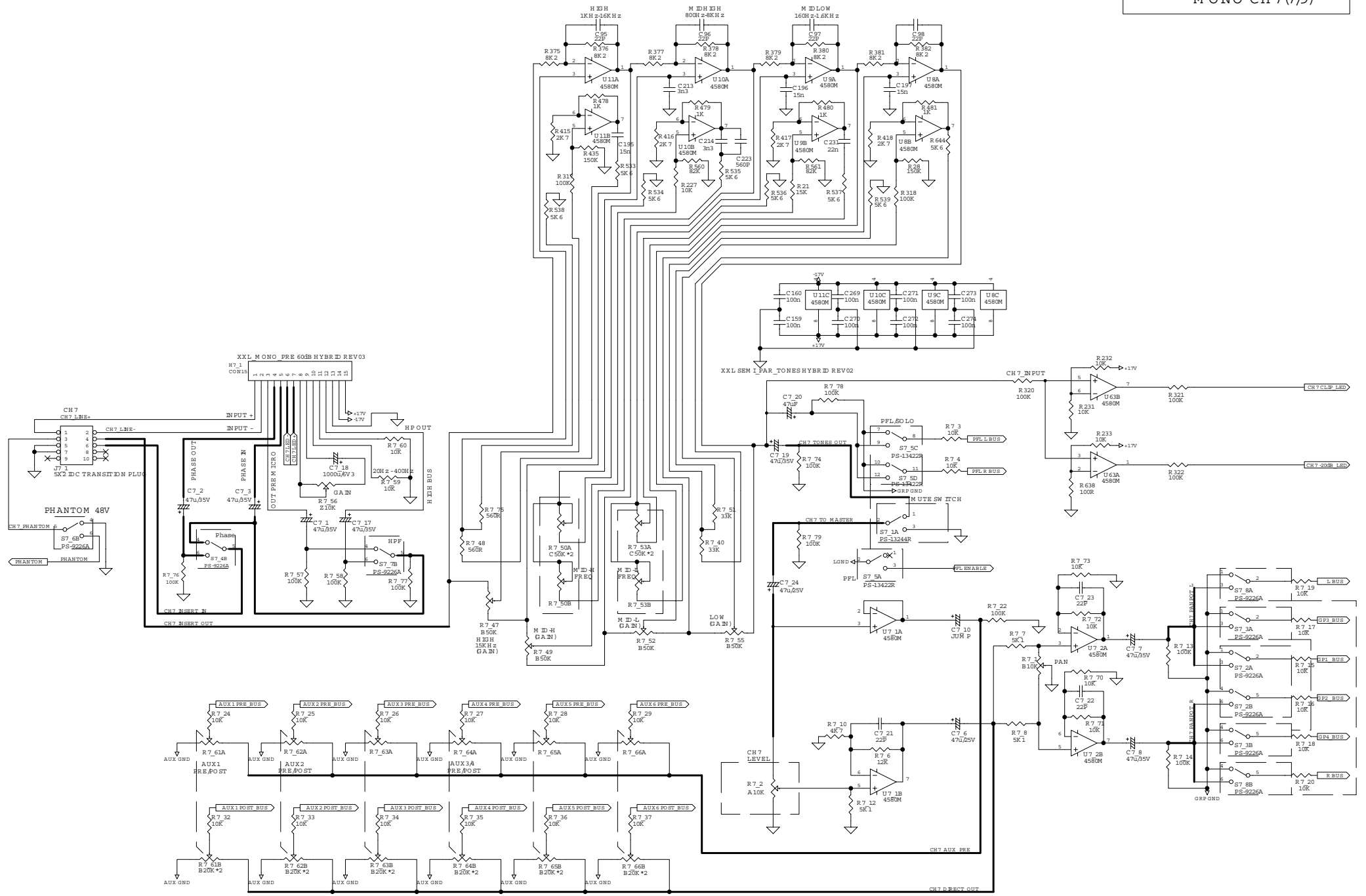


-10-

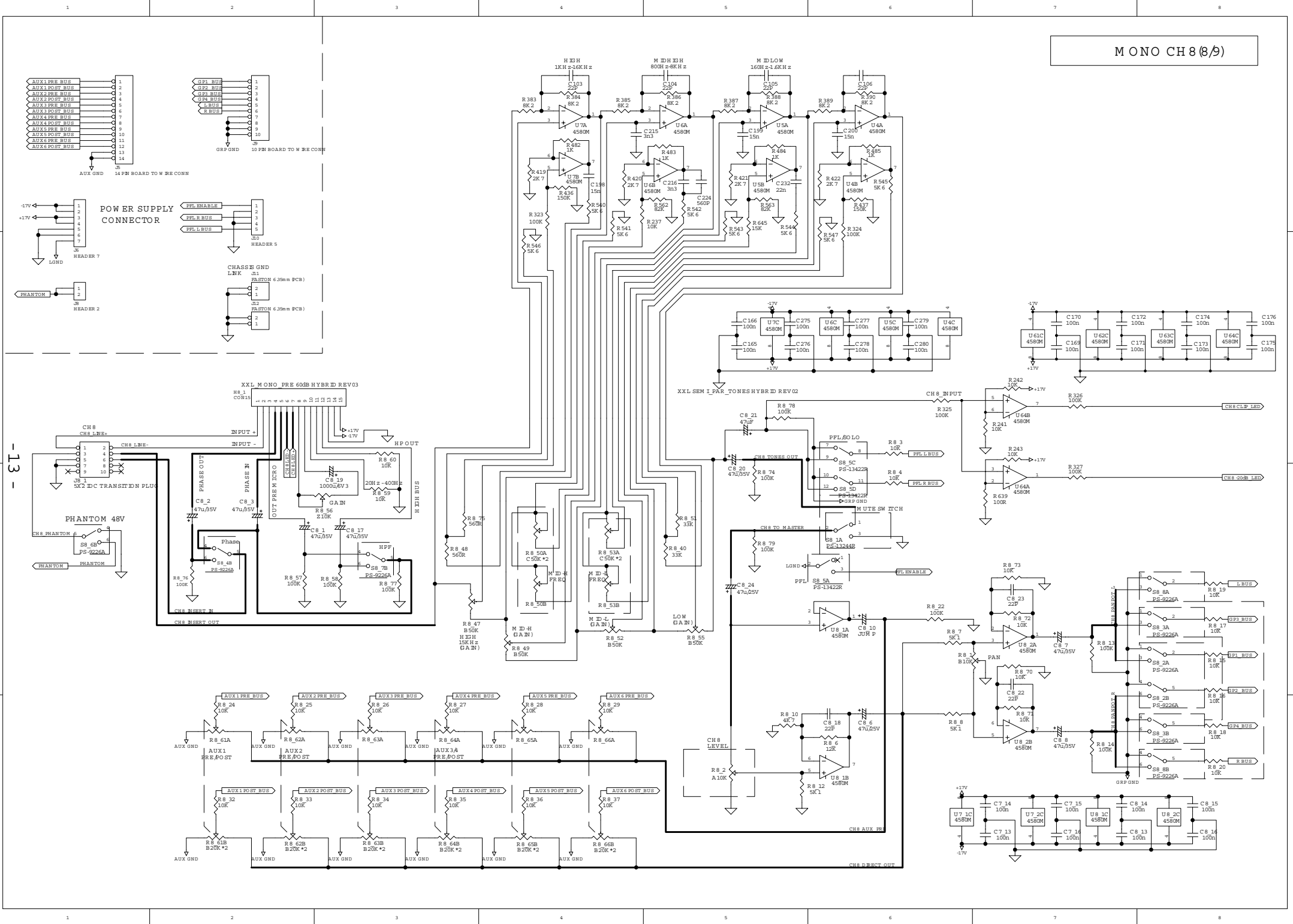




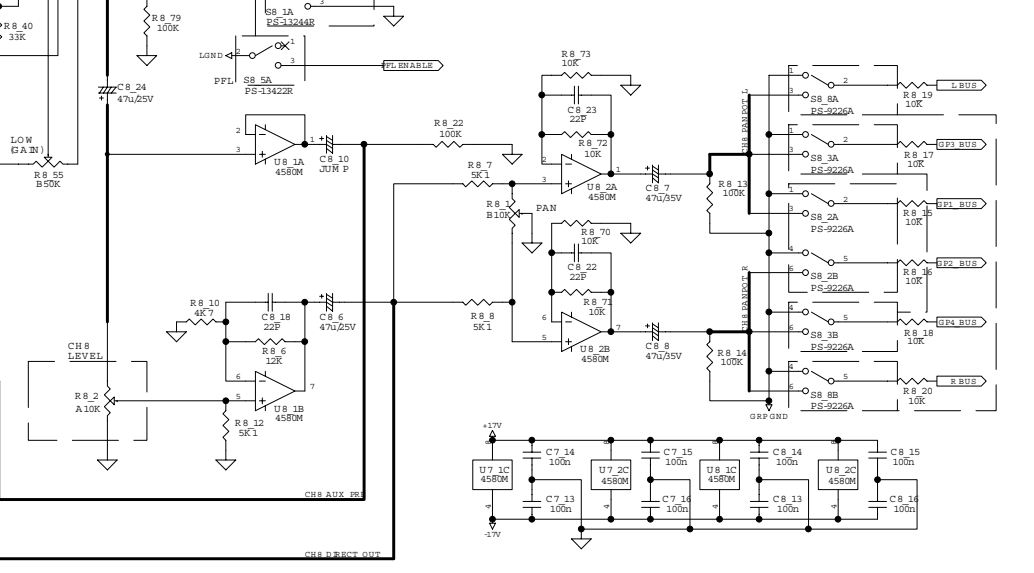
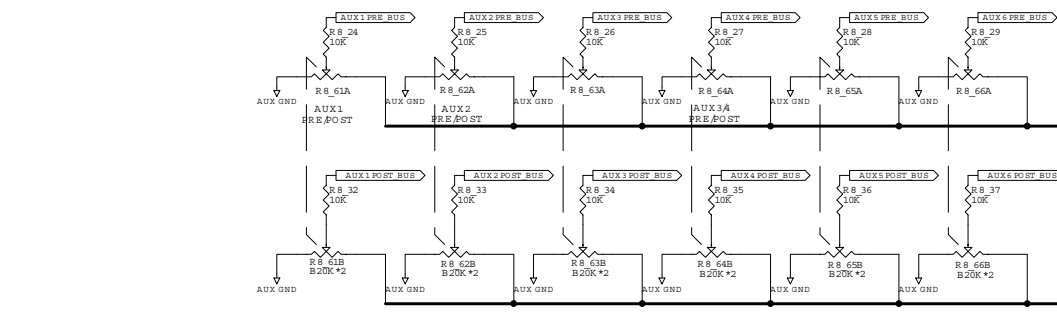
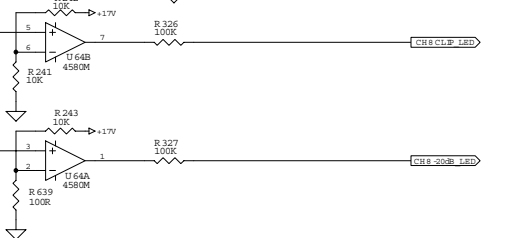
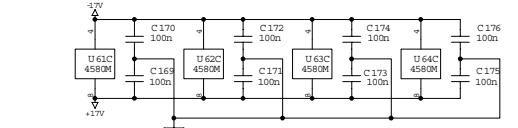
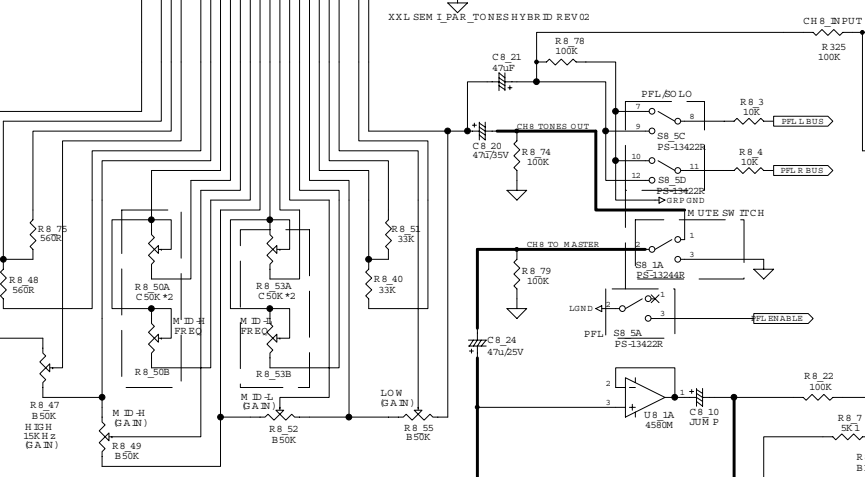
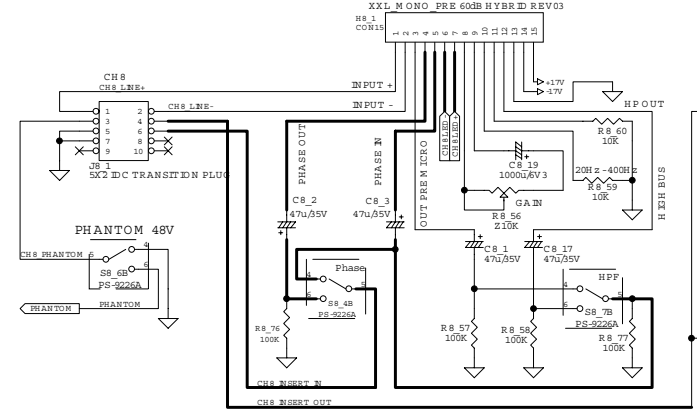
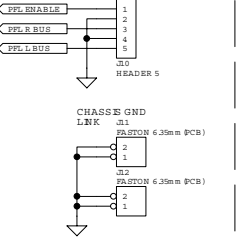
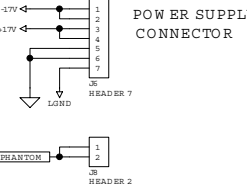
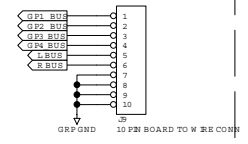
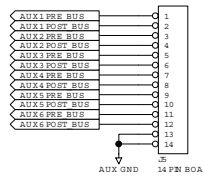
-12-



MONO CH 8 (8/9)

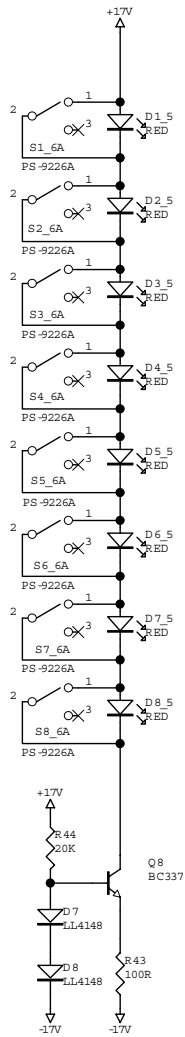


- 13 -

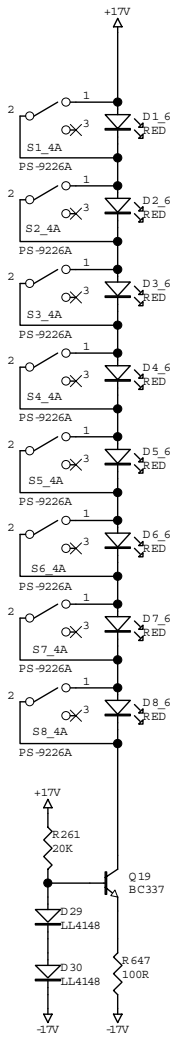


# MONO LED (9/9)

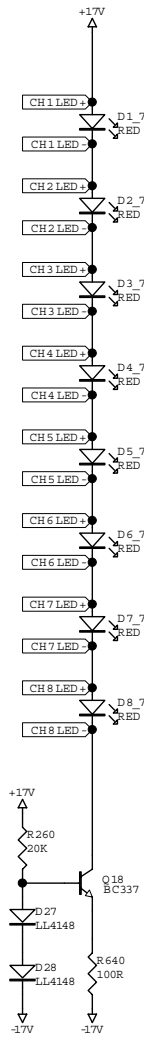
## PHANTOM 48V



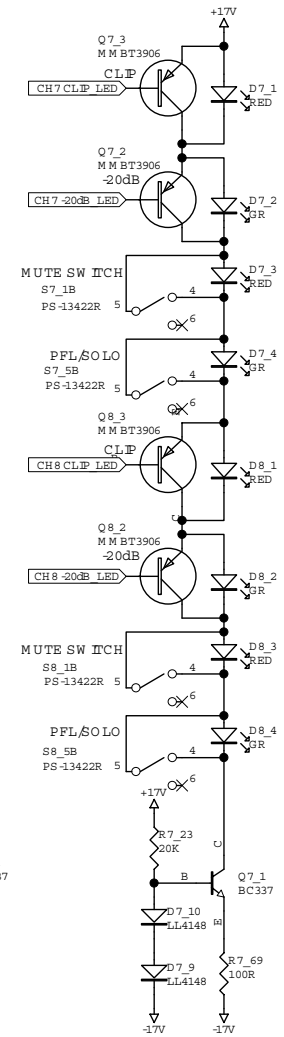
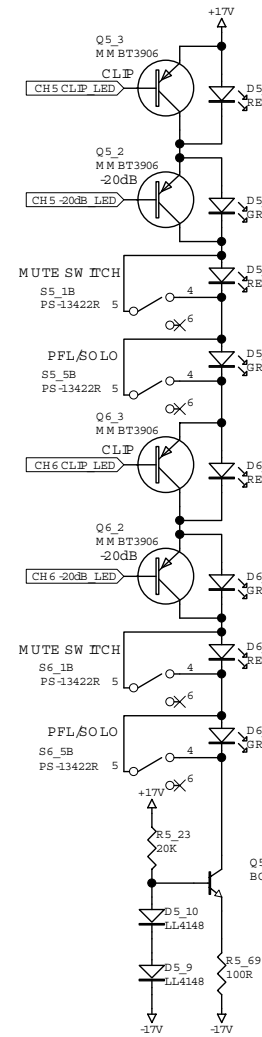
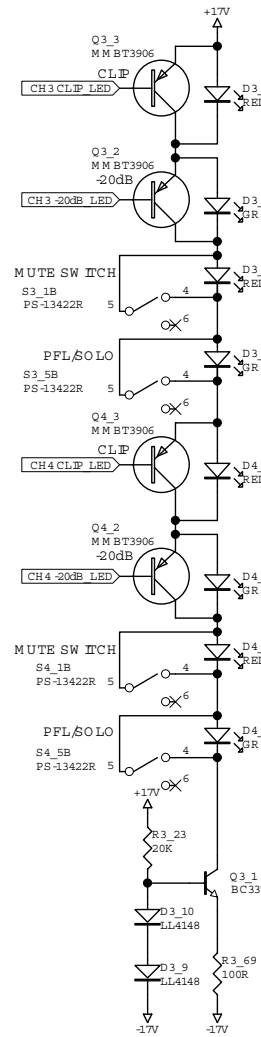
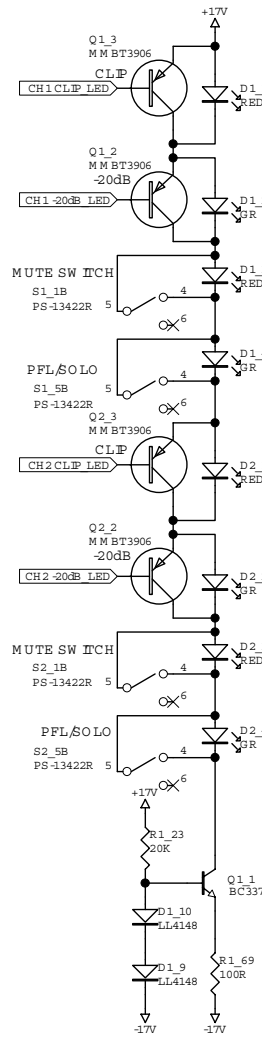
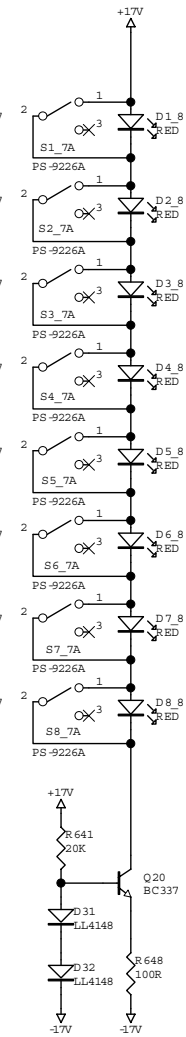
## PHASE



## LEVEL SET



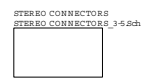
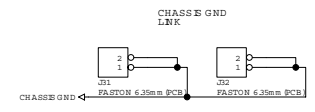
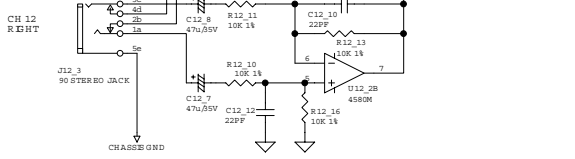
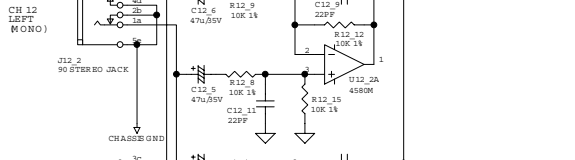
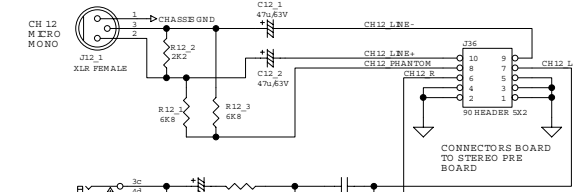
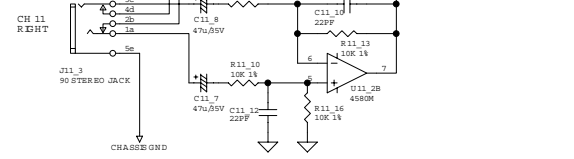
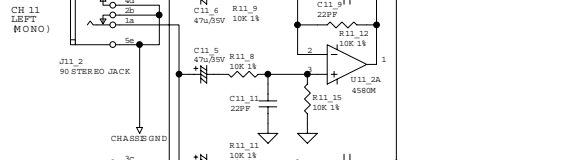
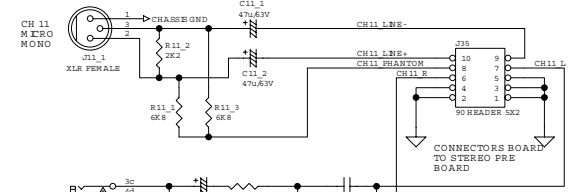
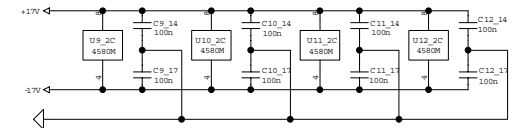
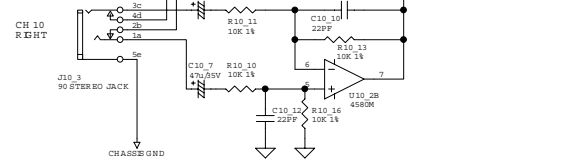
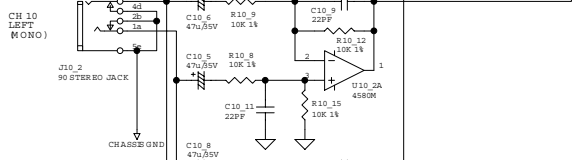
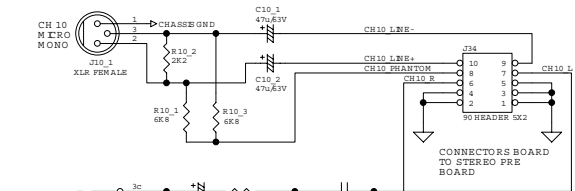
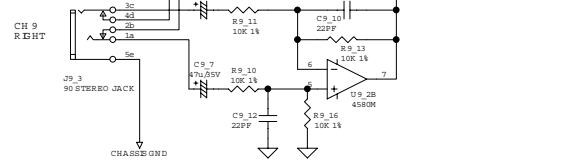
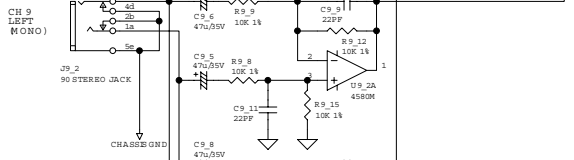
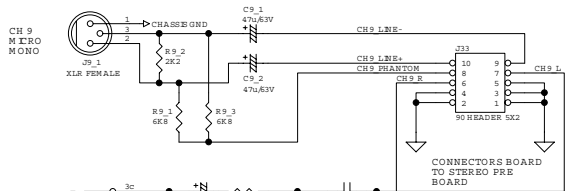
## HIGH PASS





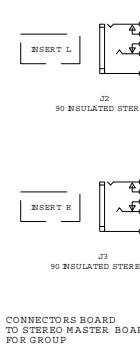
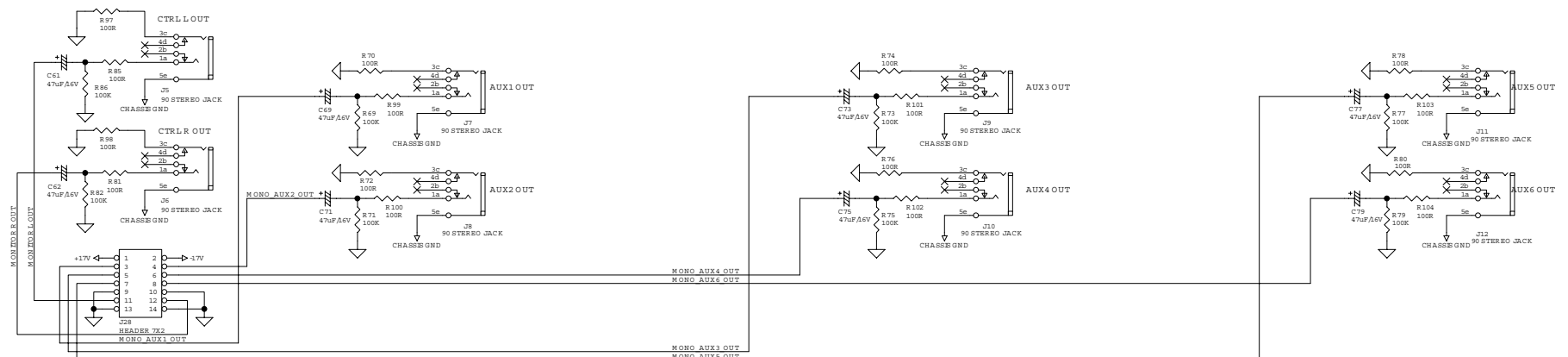
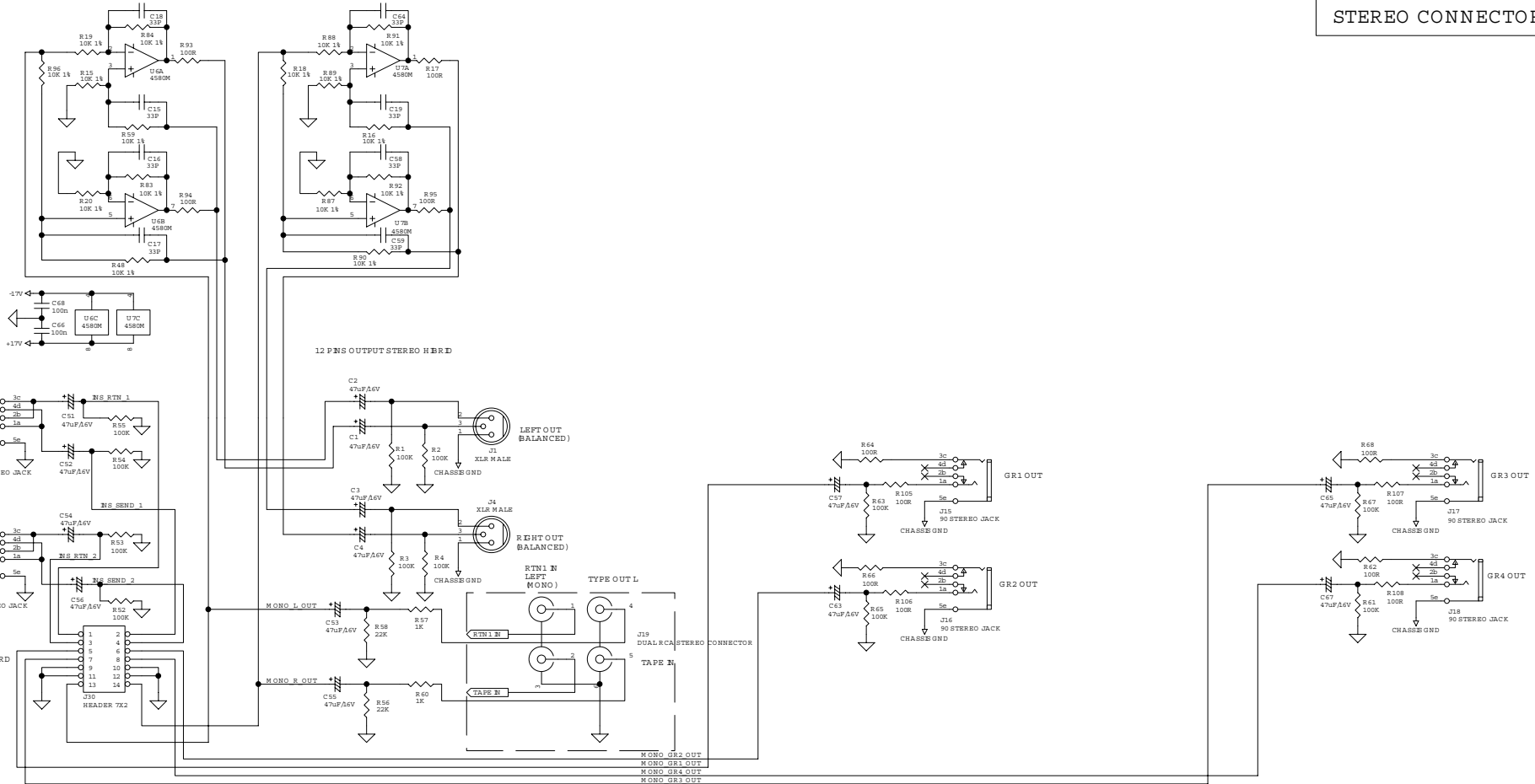
STEREO CONNECTORS (1/3)

CH9\_12 STEREO INPUT



OUTPUT STEREO HYBRID REV02

STEREO CONNECTORS (2/3)

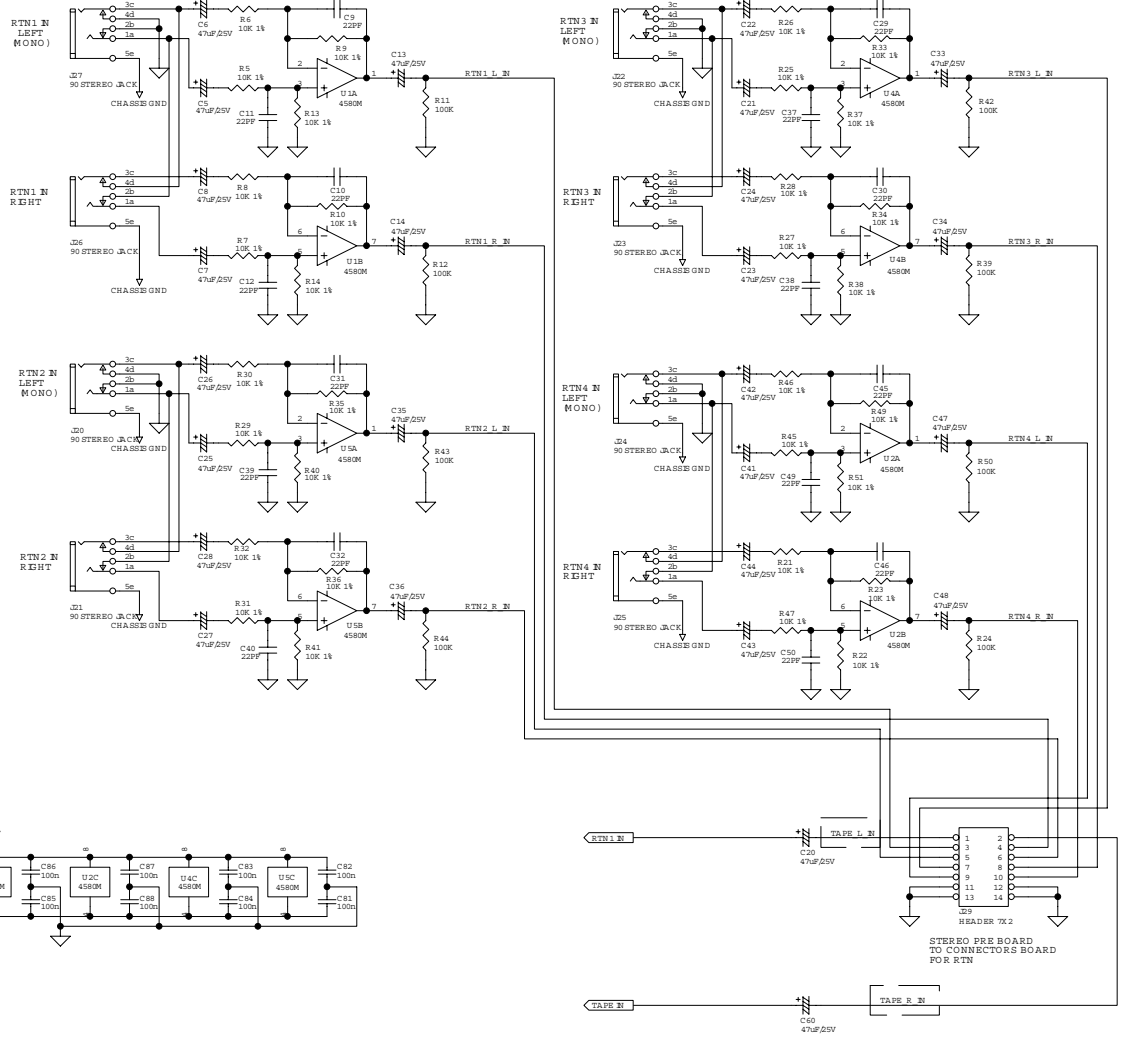


CONNECTORS BOARD TO STEREO MASTER BOARD FOR GROUP

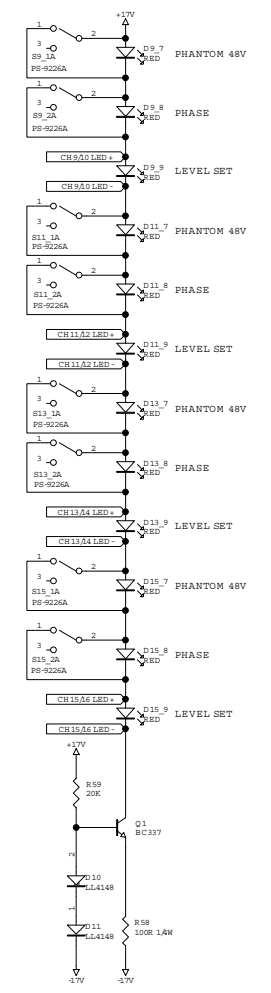
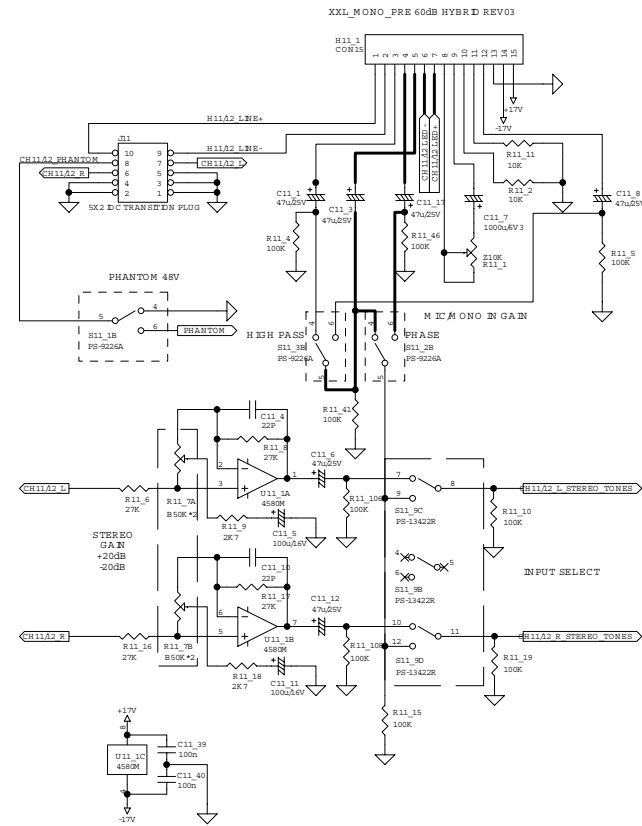
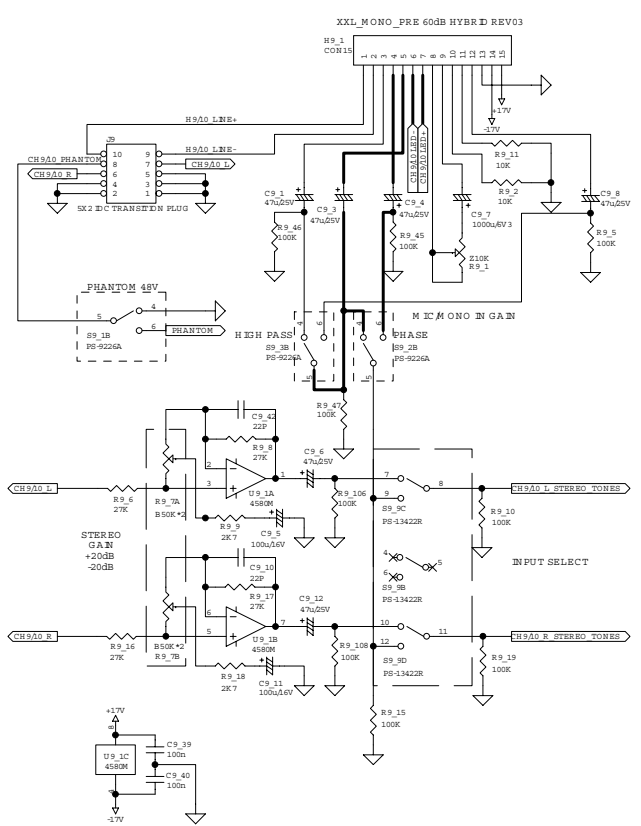
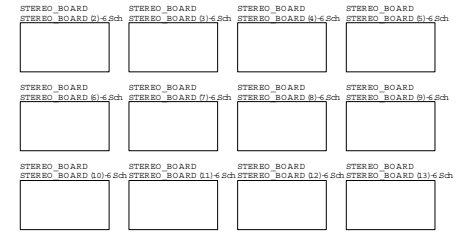


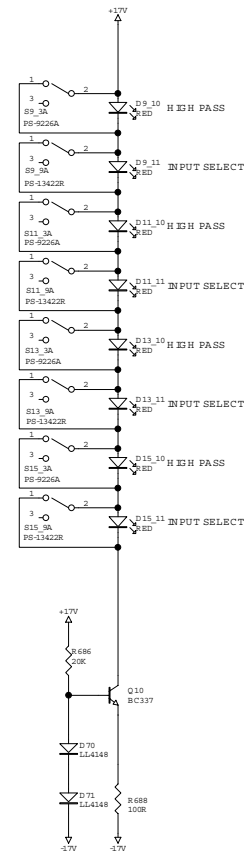
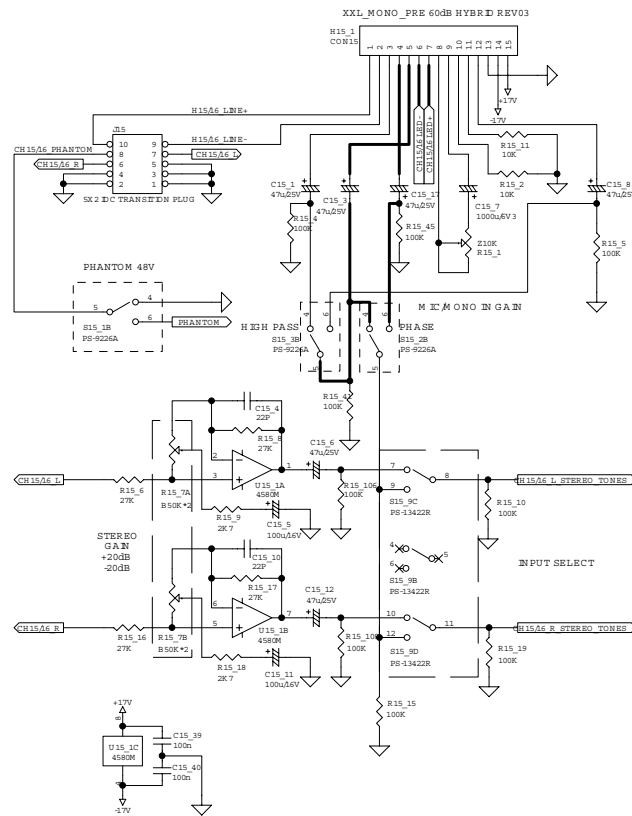
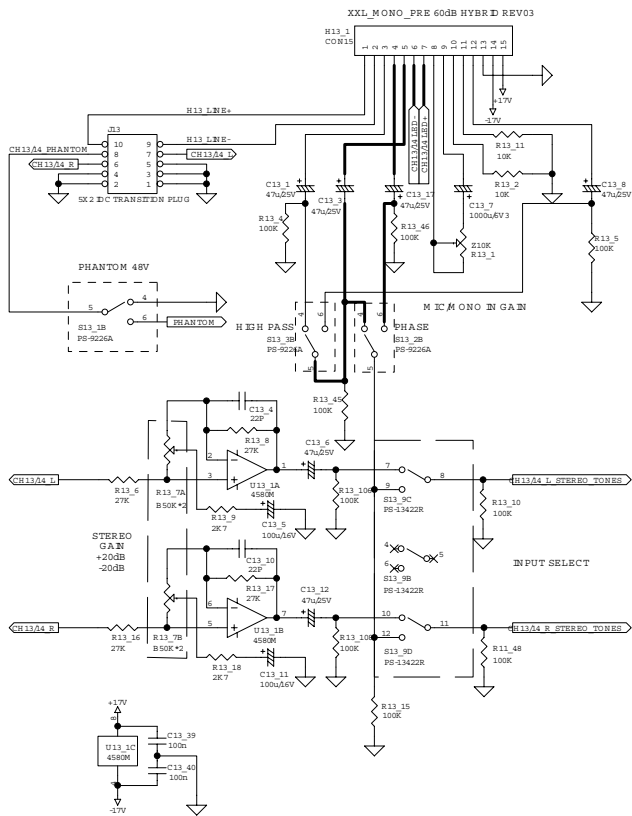
CONNECTORS BOARD TO STEREO PRE BOARD FOR AUX AND MONITOR

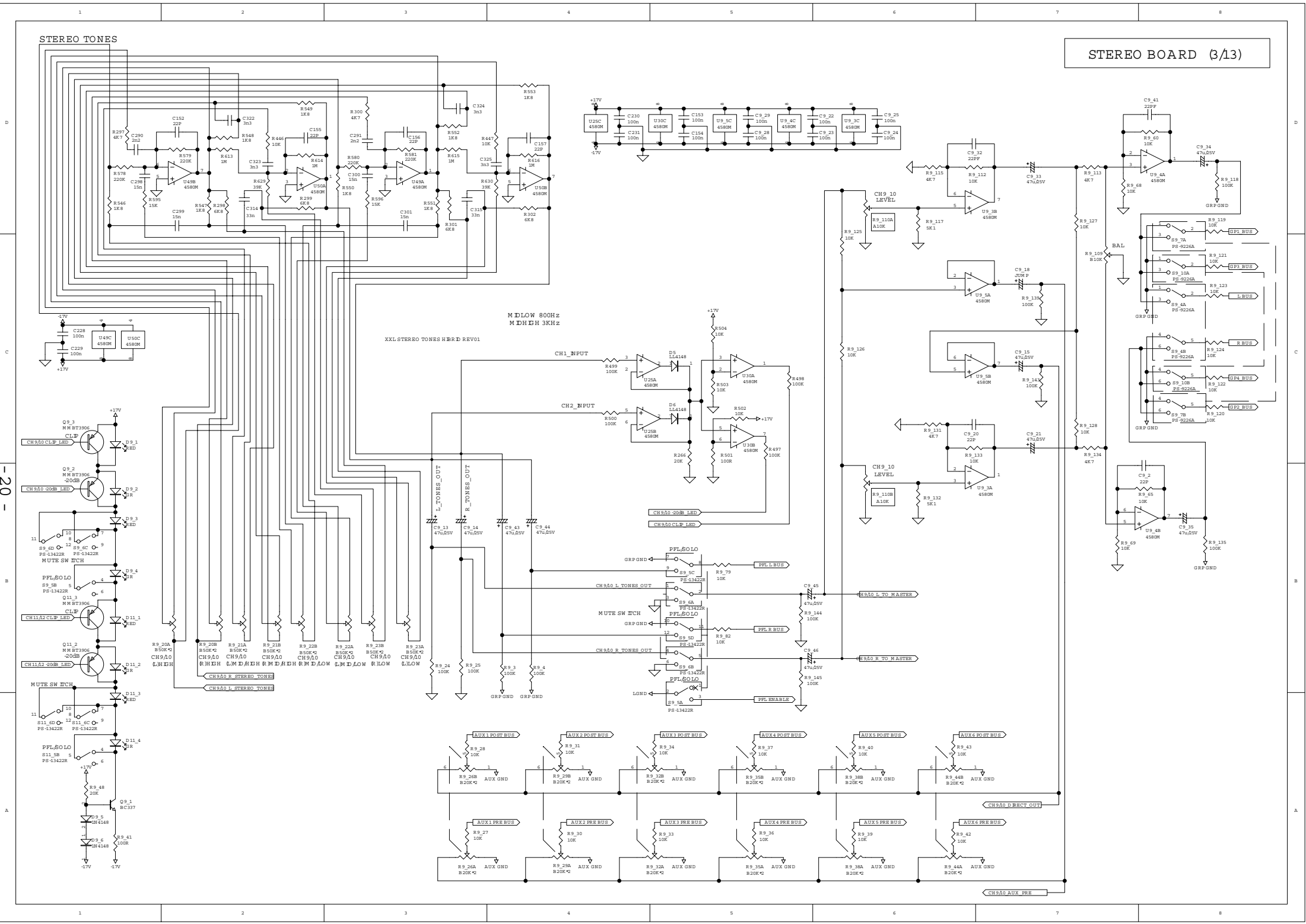
STEREO RTN1\_4&TAPE N



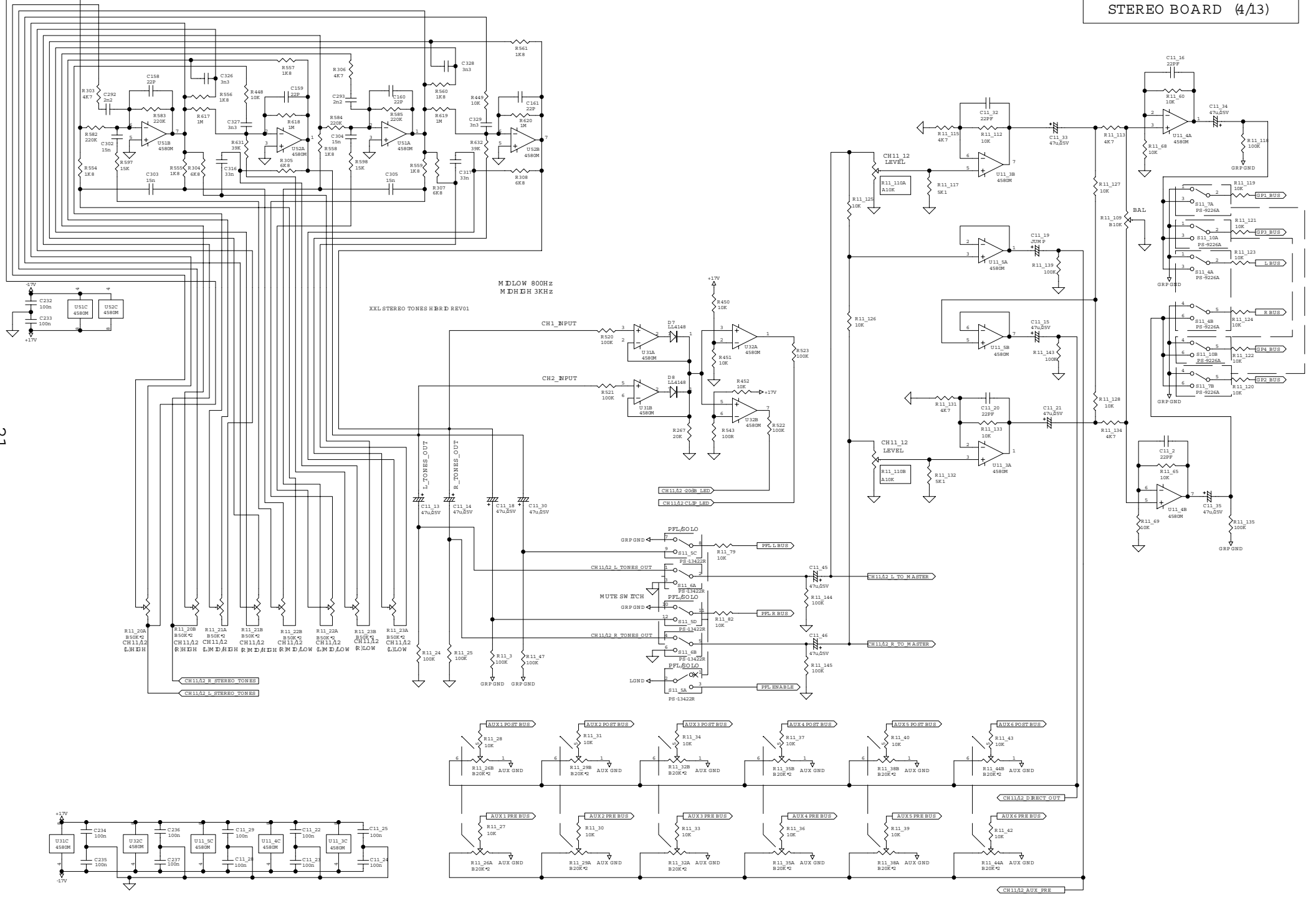
# STEREO BOARD (1/13)



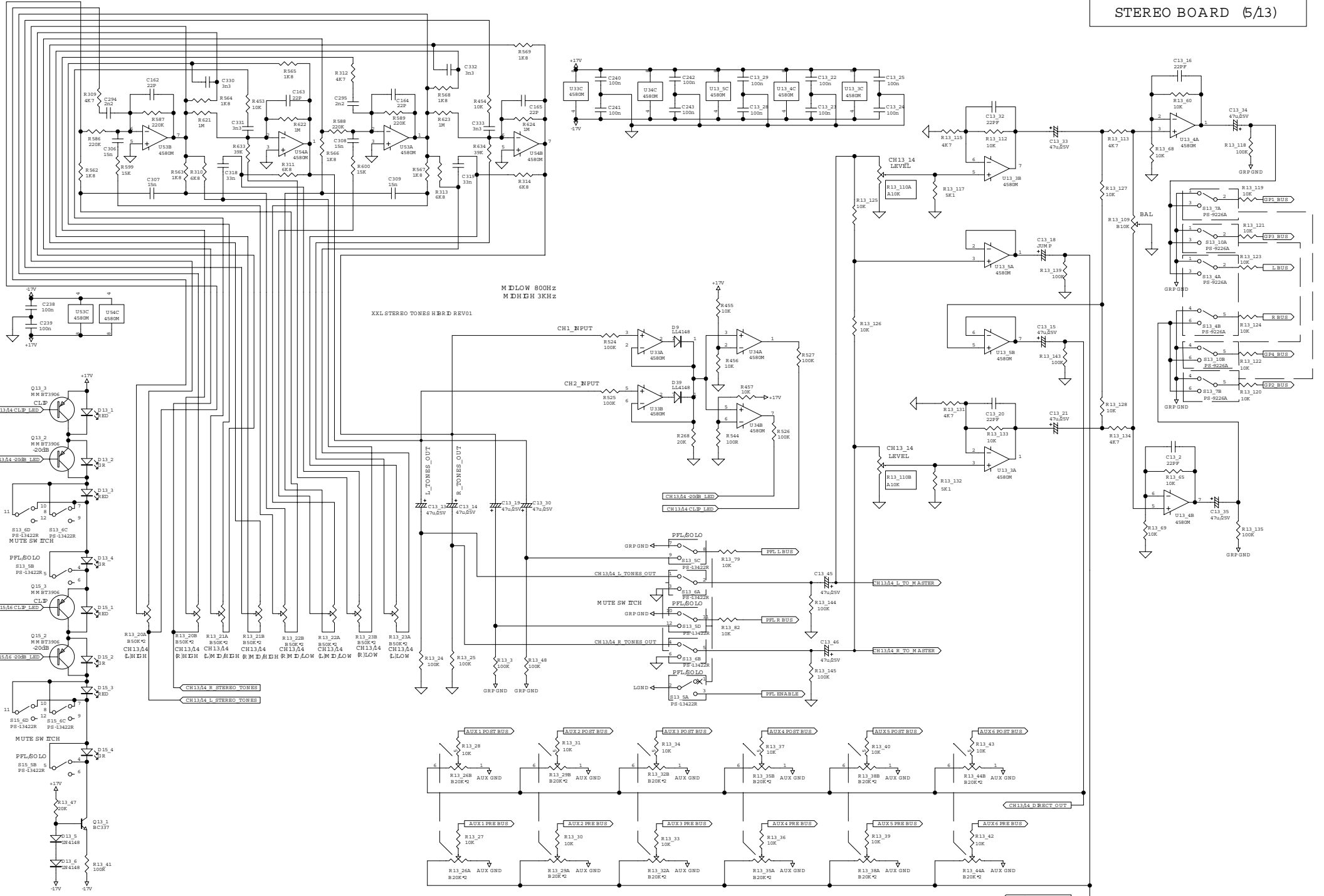




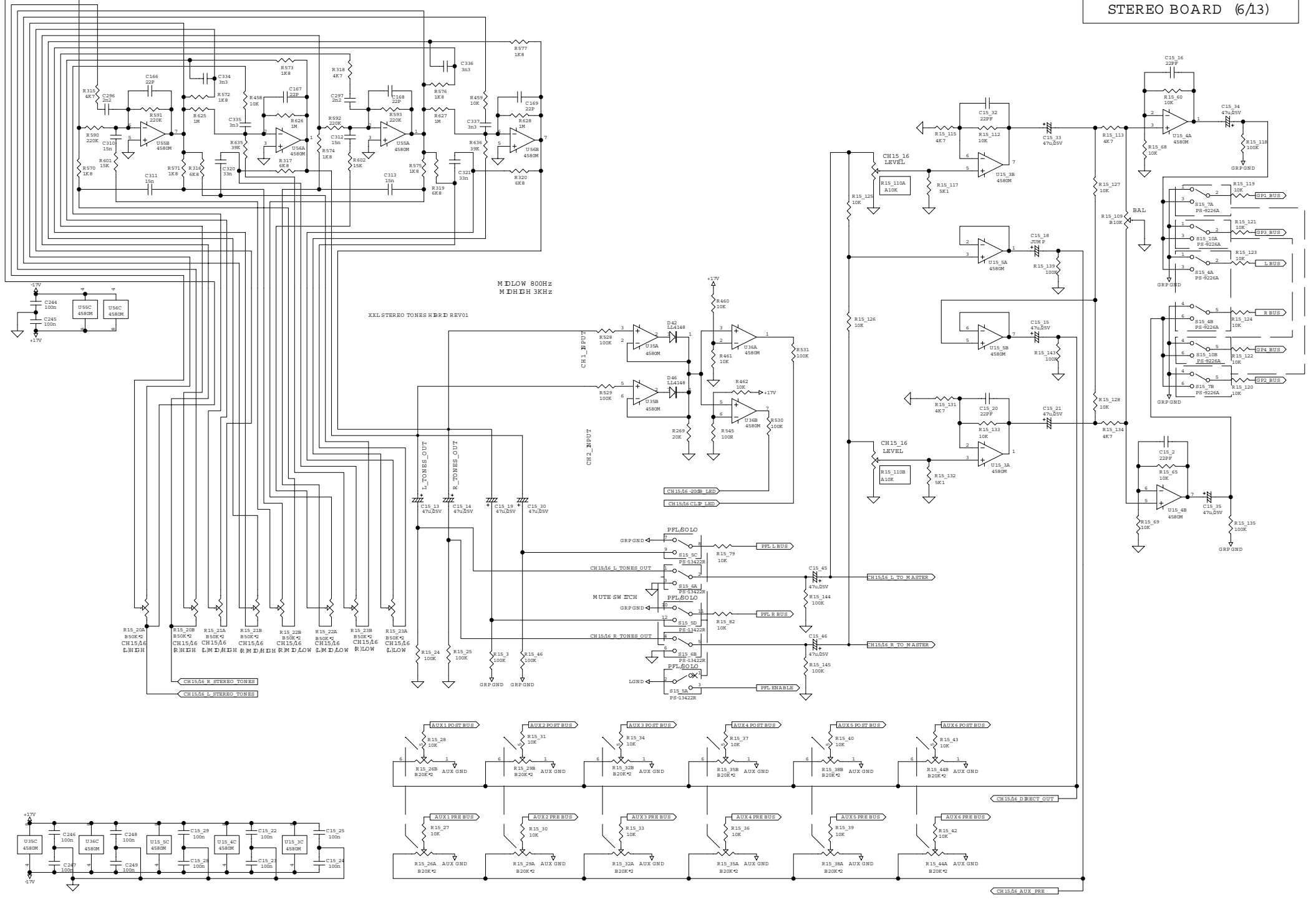
-20-



D  
C  
B  
A







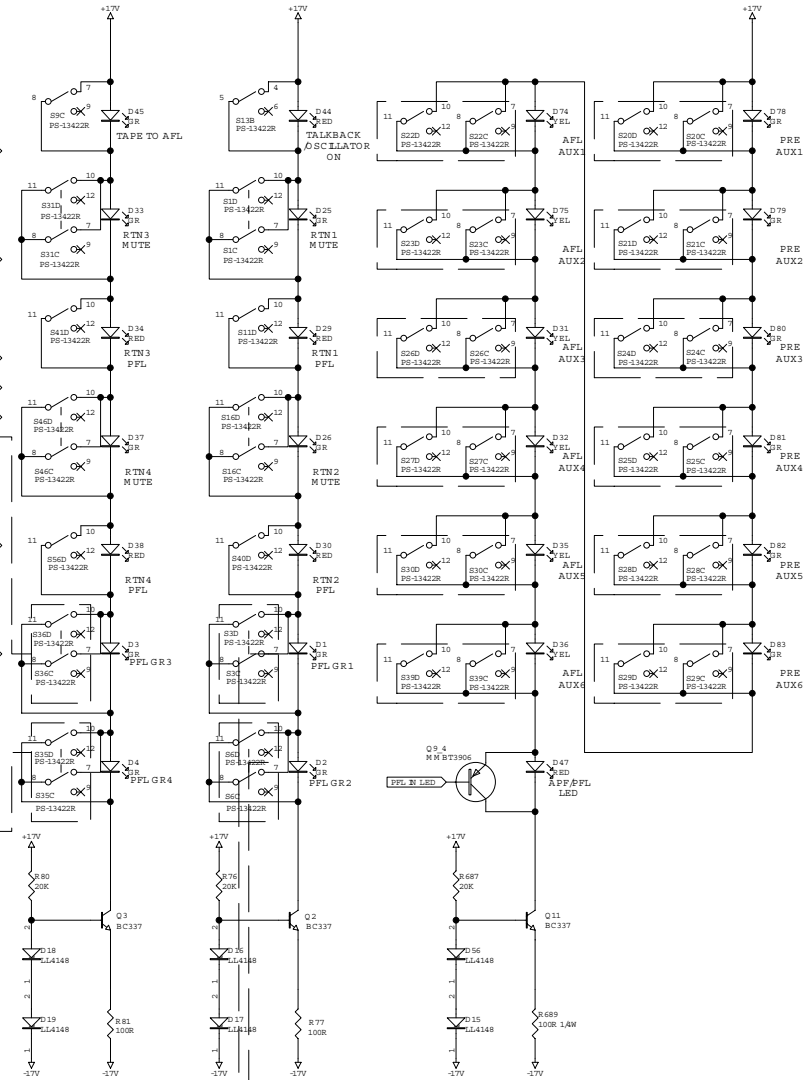
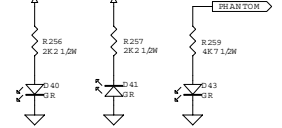
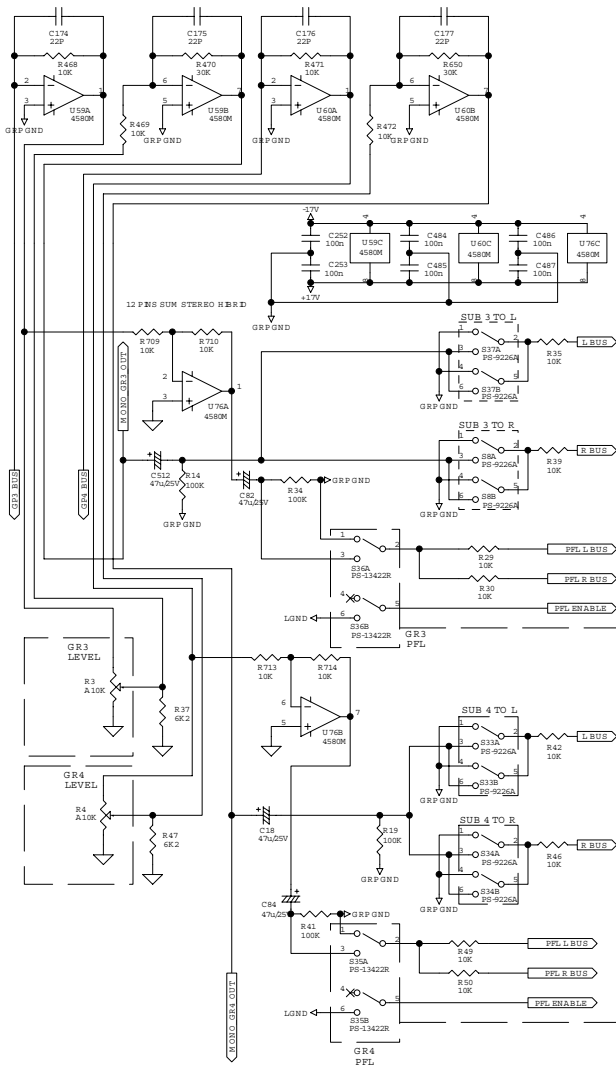
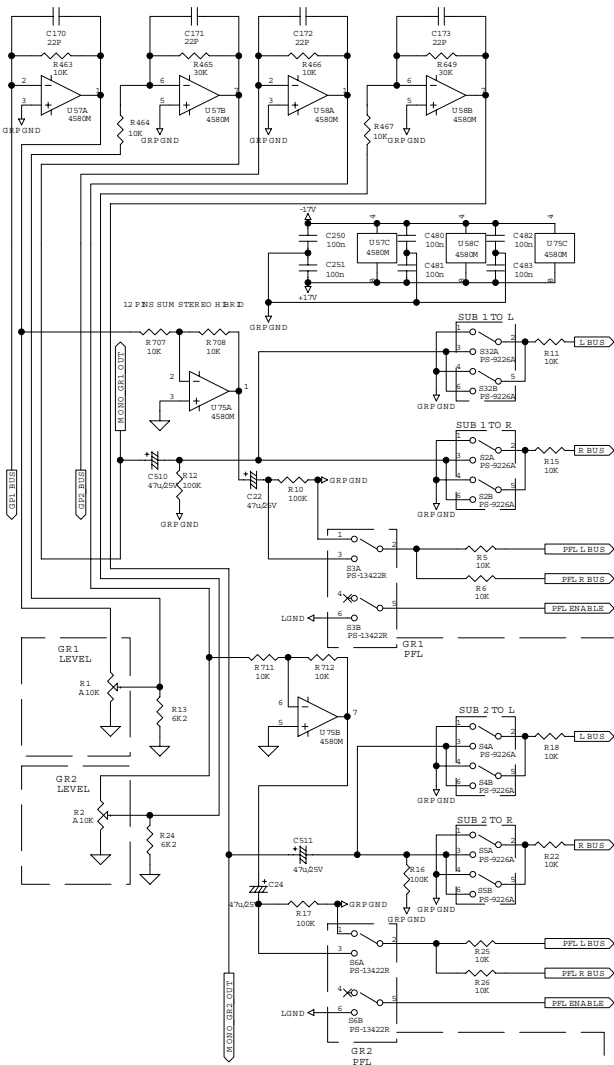
-23-

XXL BRDO SUM STEREO

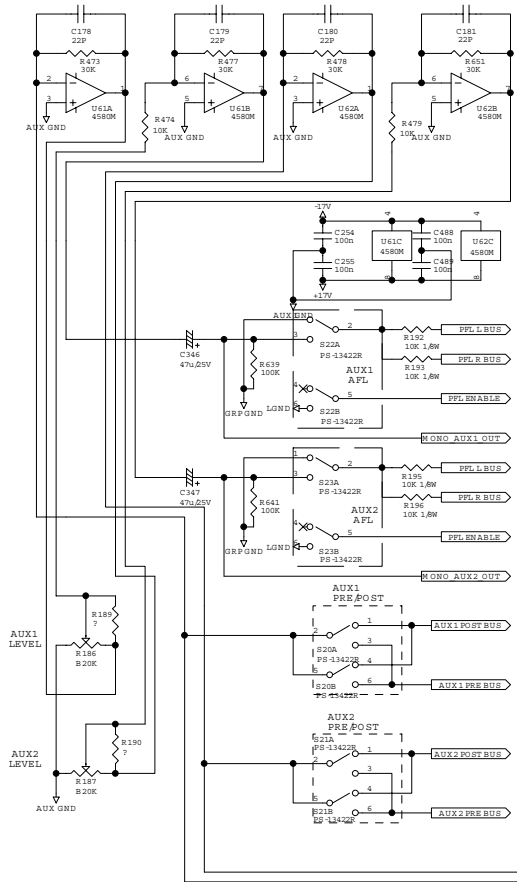
XXL BRDO SUM STEREO

POWER SUPPLY MONITOR

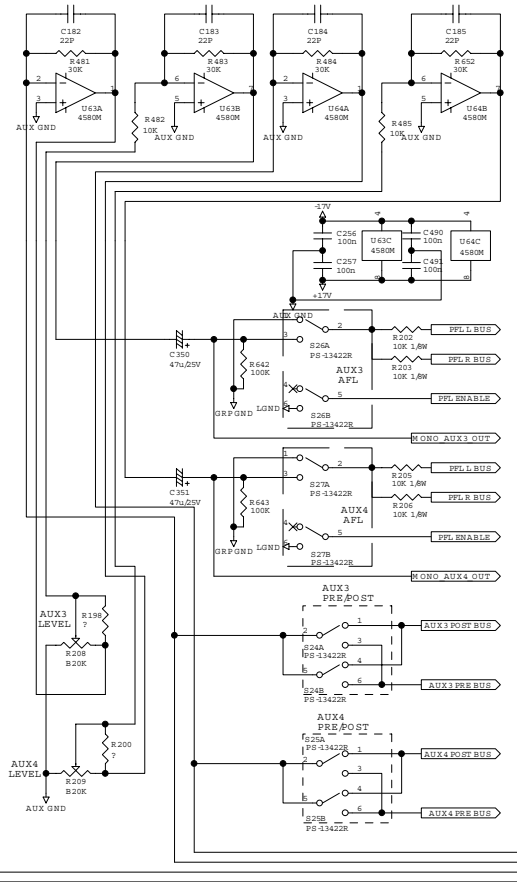
STEREO BOARD (7/13)



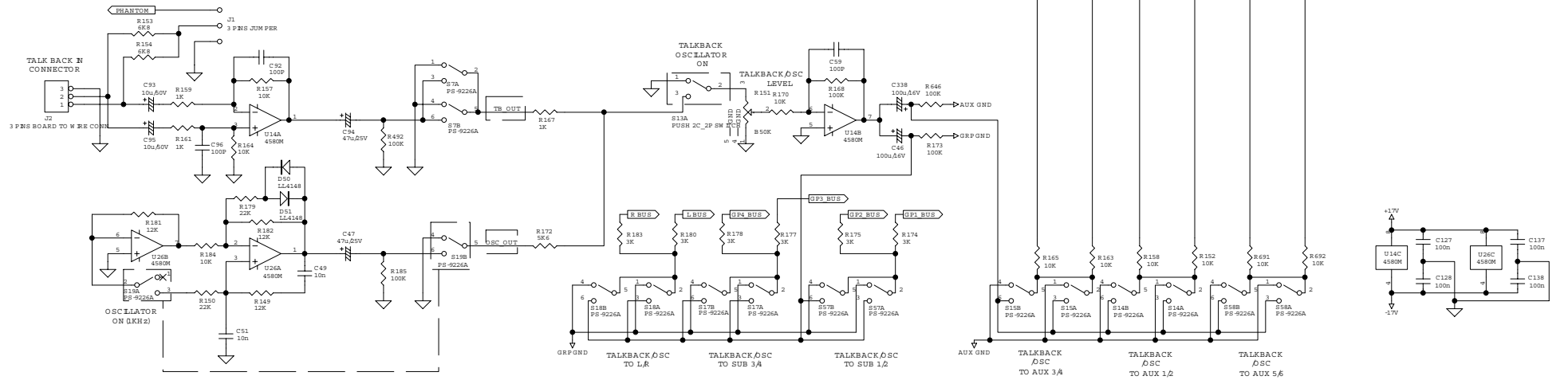
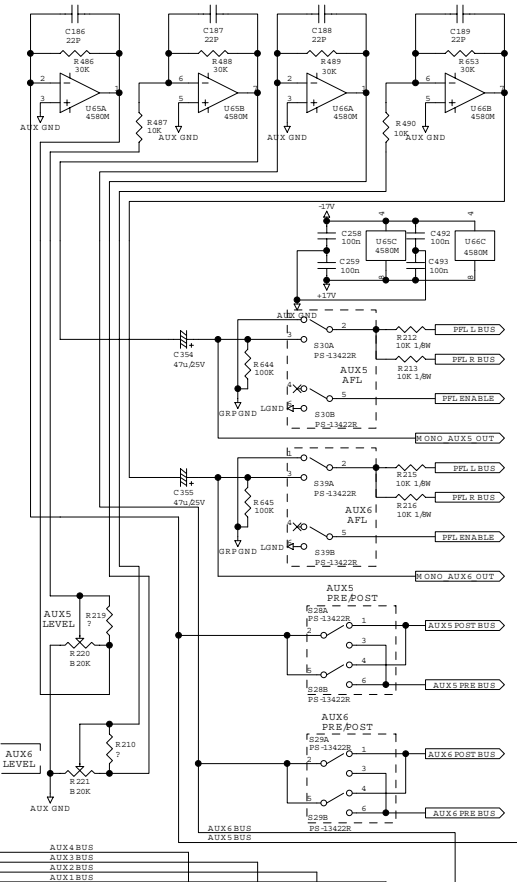
SUM STEREO

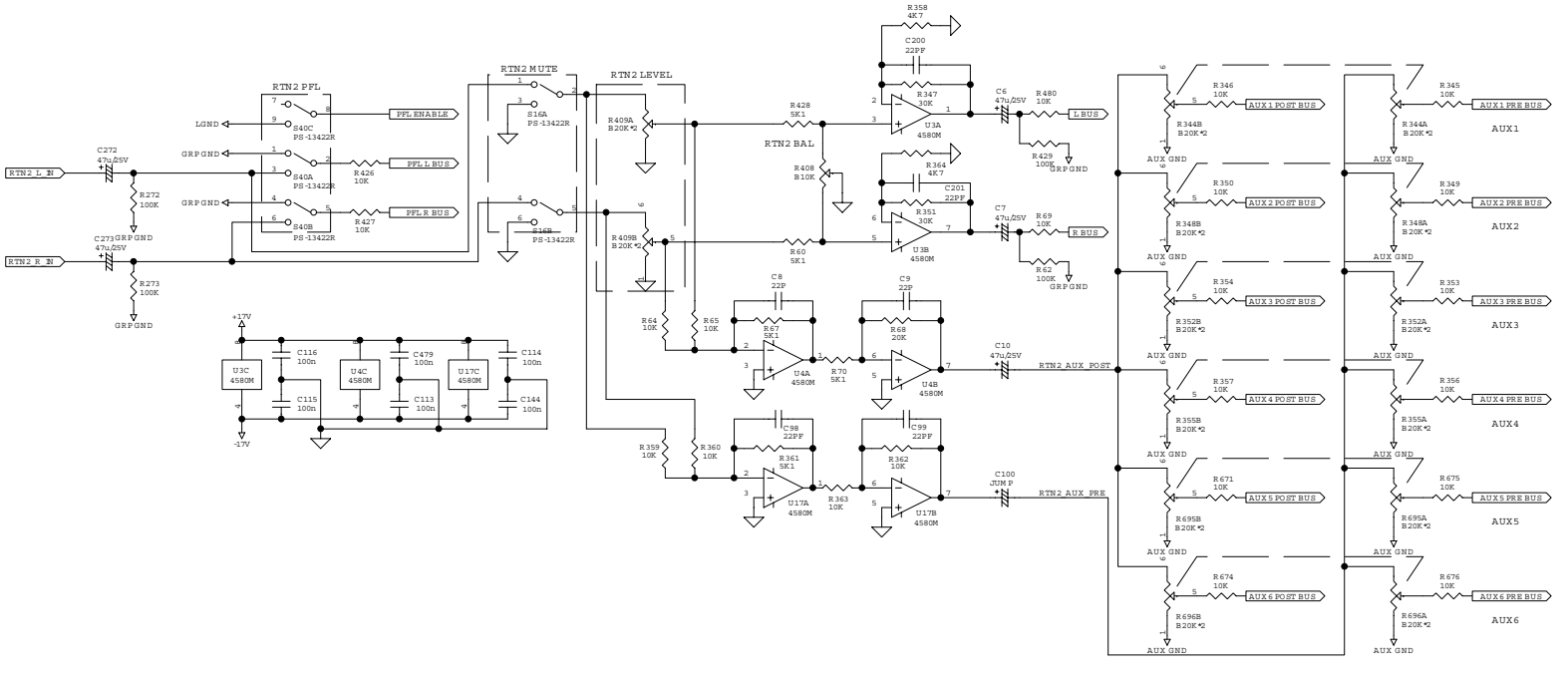
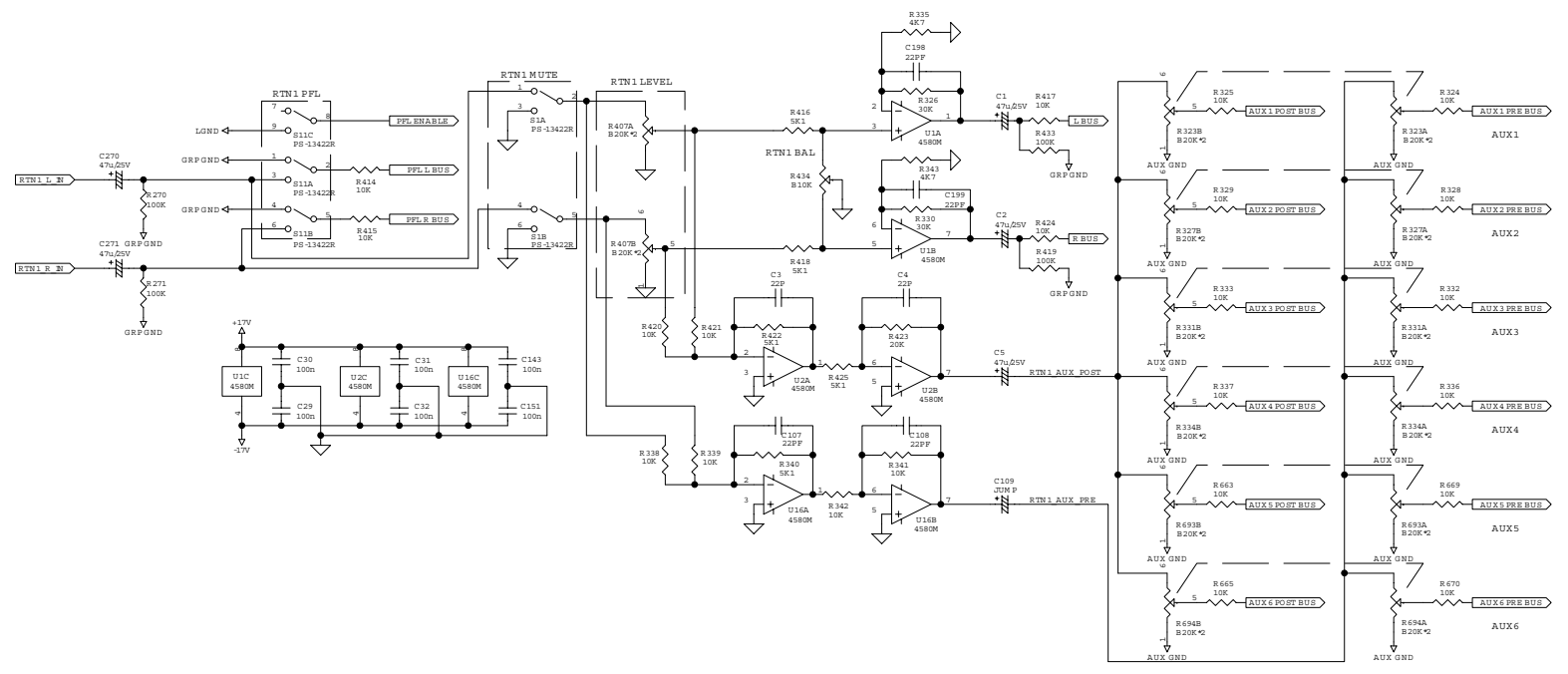


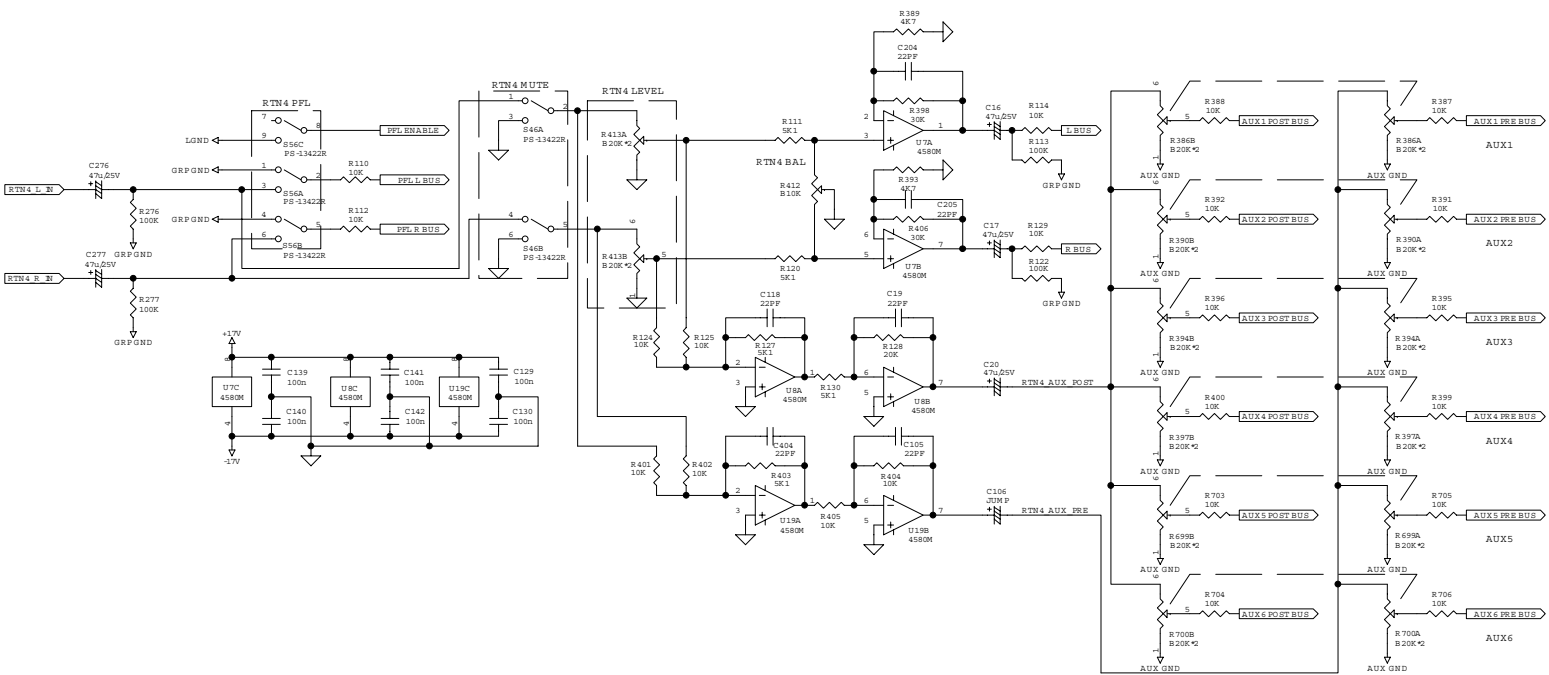
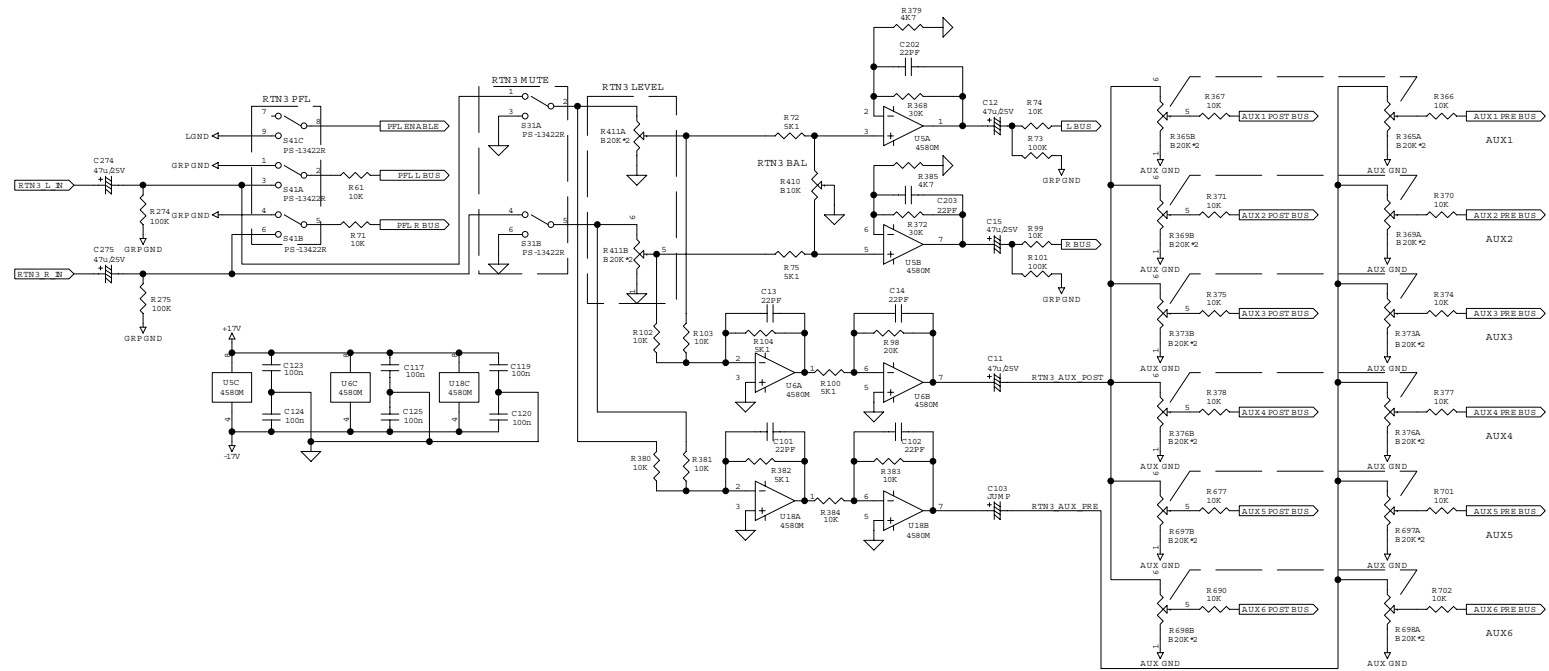
SUM STEREO



SUM STEREO

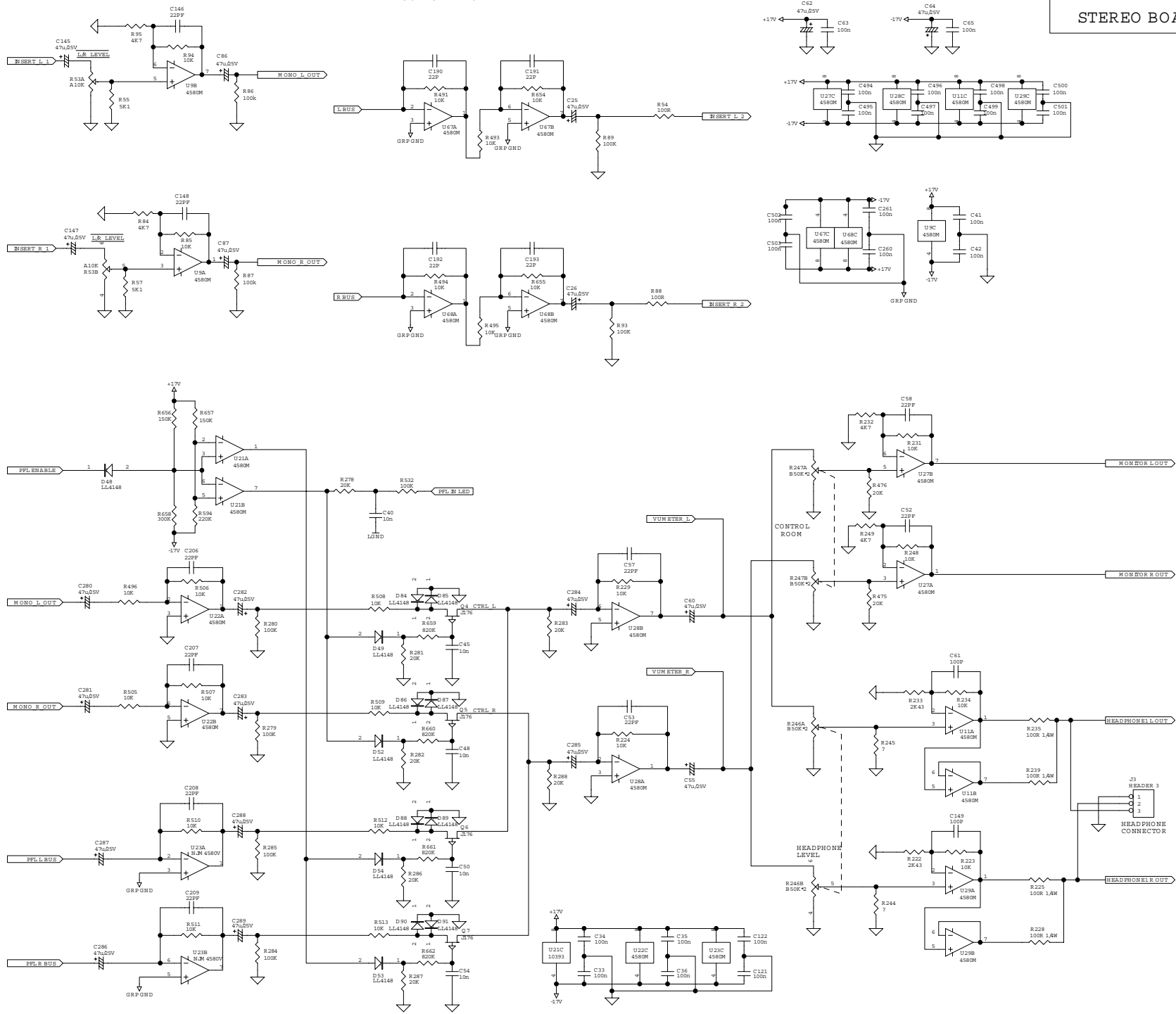




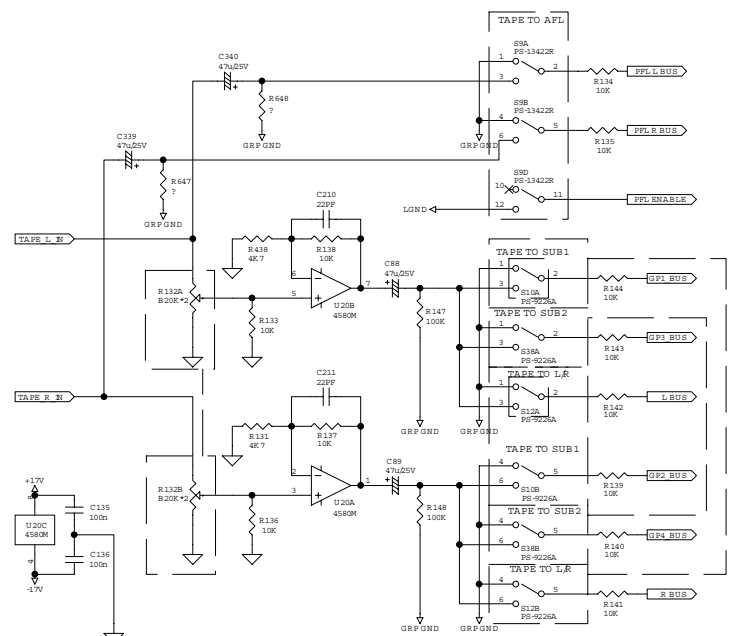
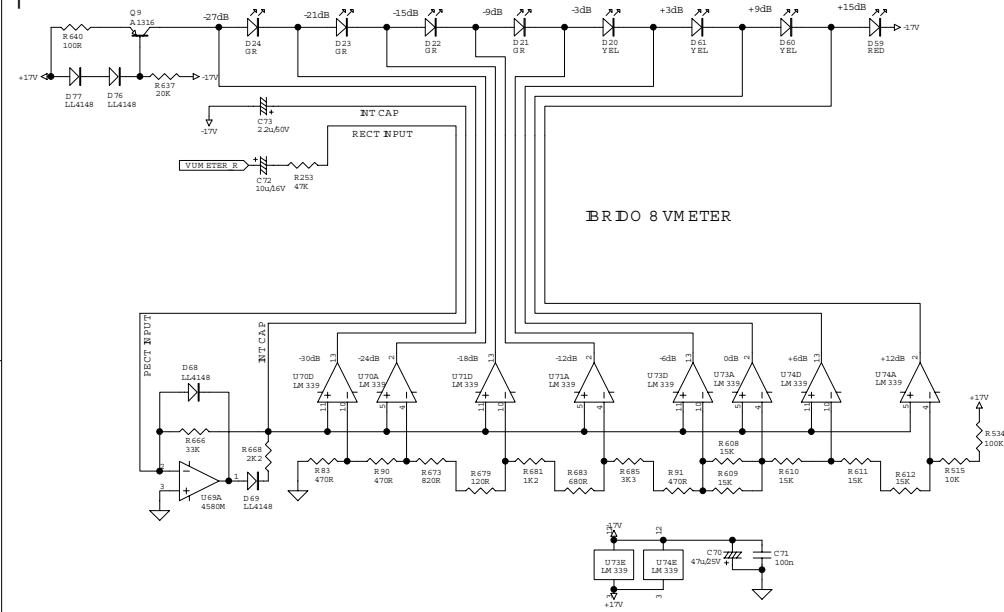
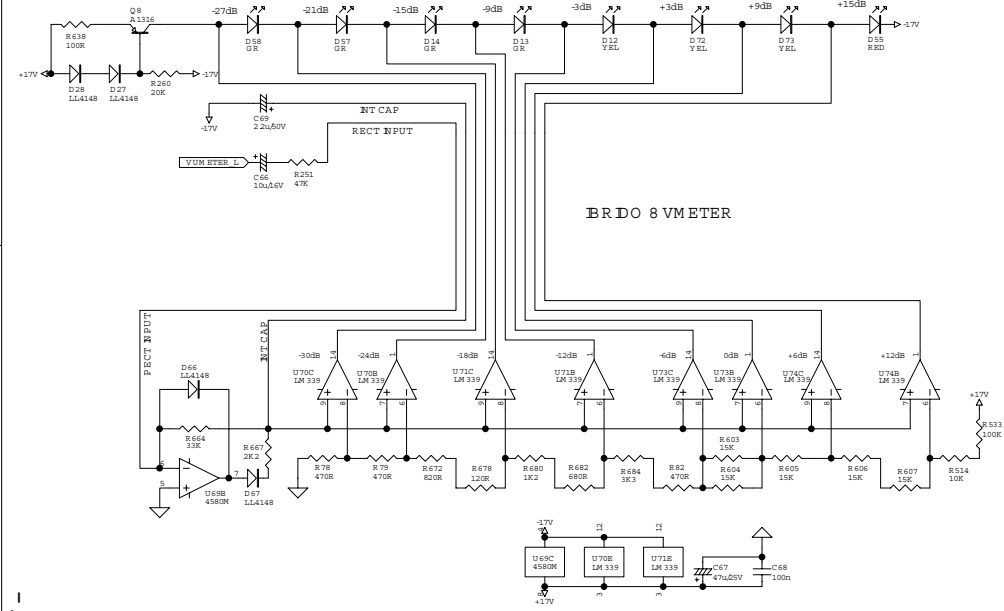


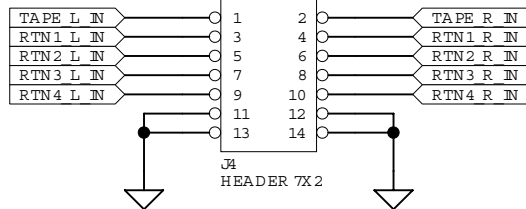
SUM STEREO

STEREO BOARD (11/13)

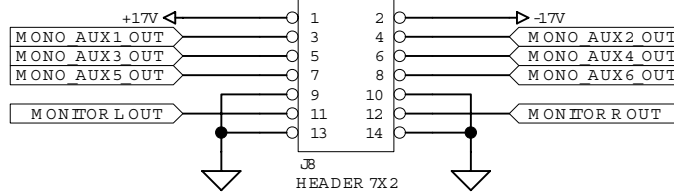


STEREO BOARD (12/13)



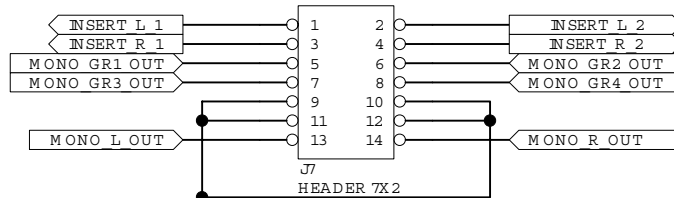
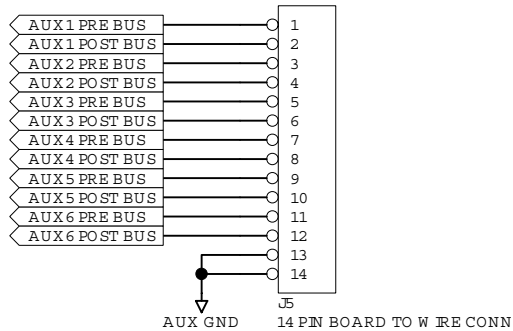
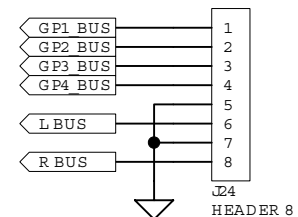
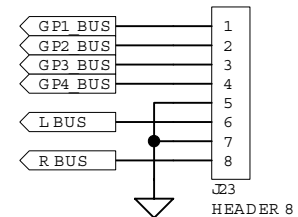
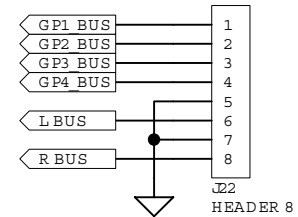


STEREO MASTER BOARD  
TO MONO BOARD

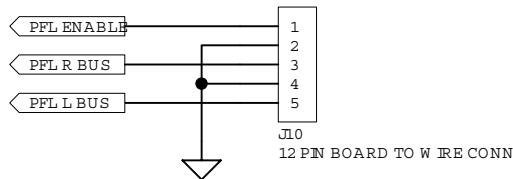


CONNECTOR  
TO BE SOLDER ON BOTTOM  
LAYER

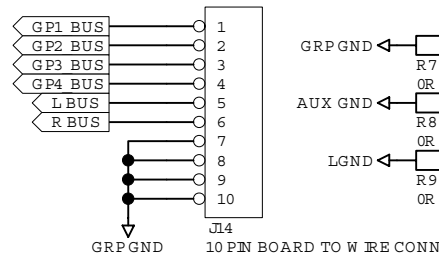
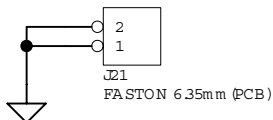
STEREO BOARD (13/13)



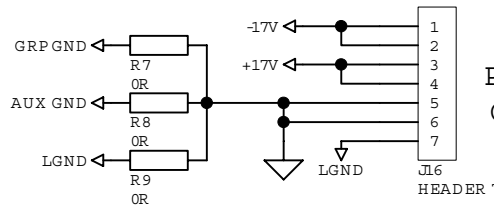
CONNECTOR  
TO BE SOLDER ON BOTTOM  
LAYER



CHASSIS GND  
LNK

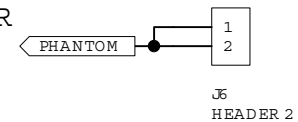


CONNECTORS  
PRE SIDE



CONNECTORS  
MASTER SIDE

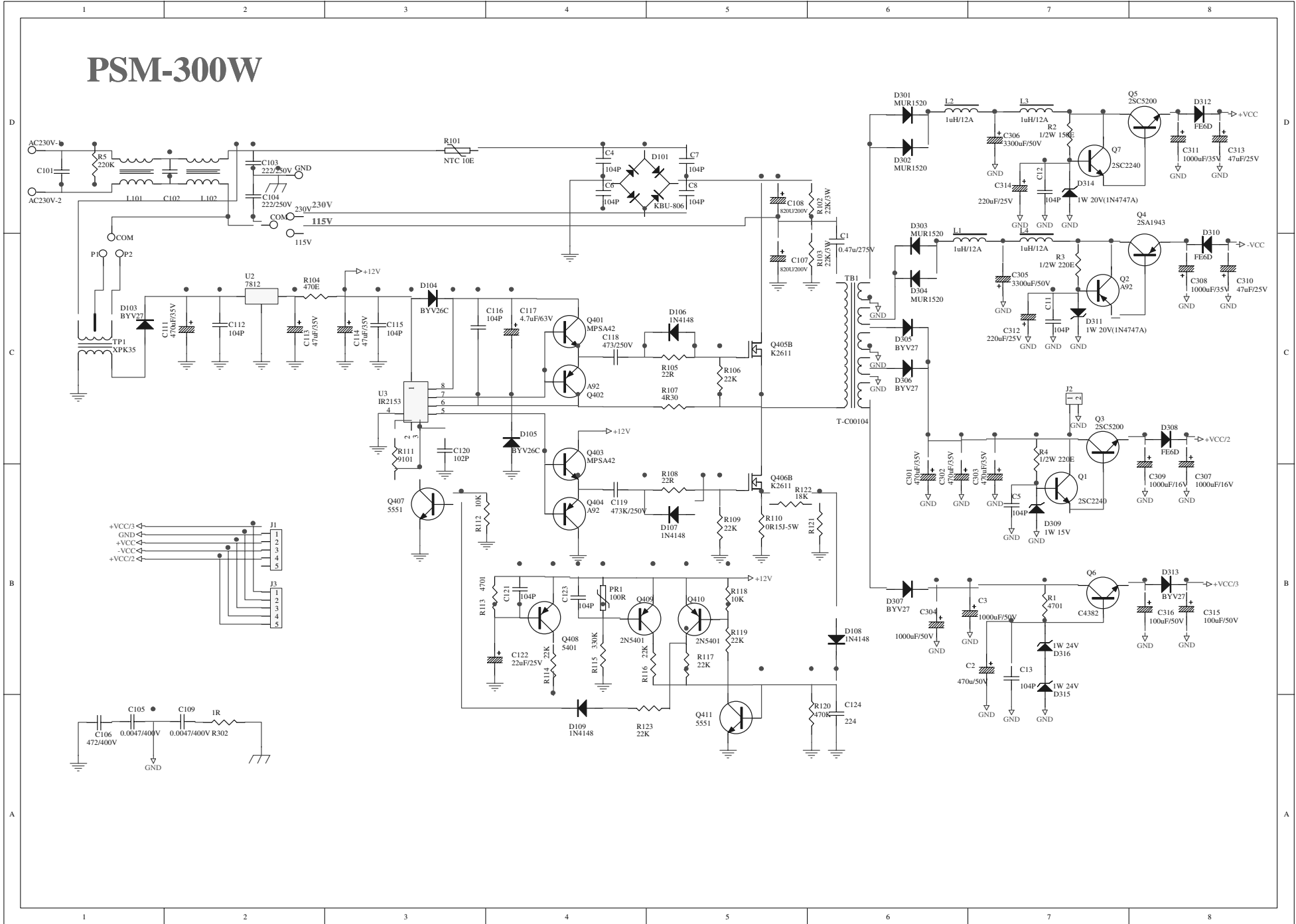
POWER SUPPLY  
CONNECTOR



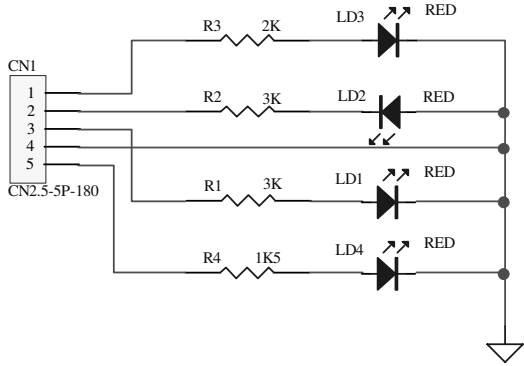
- 30 -



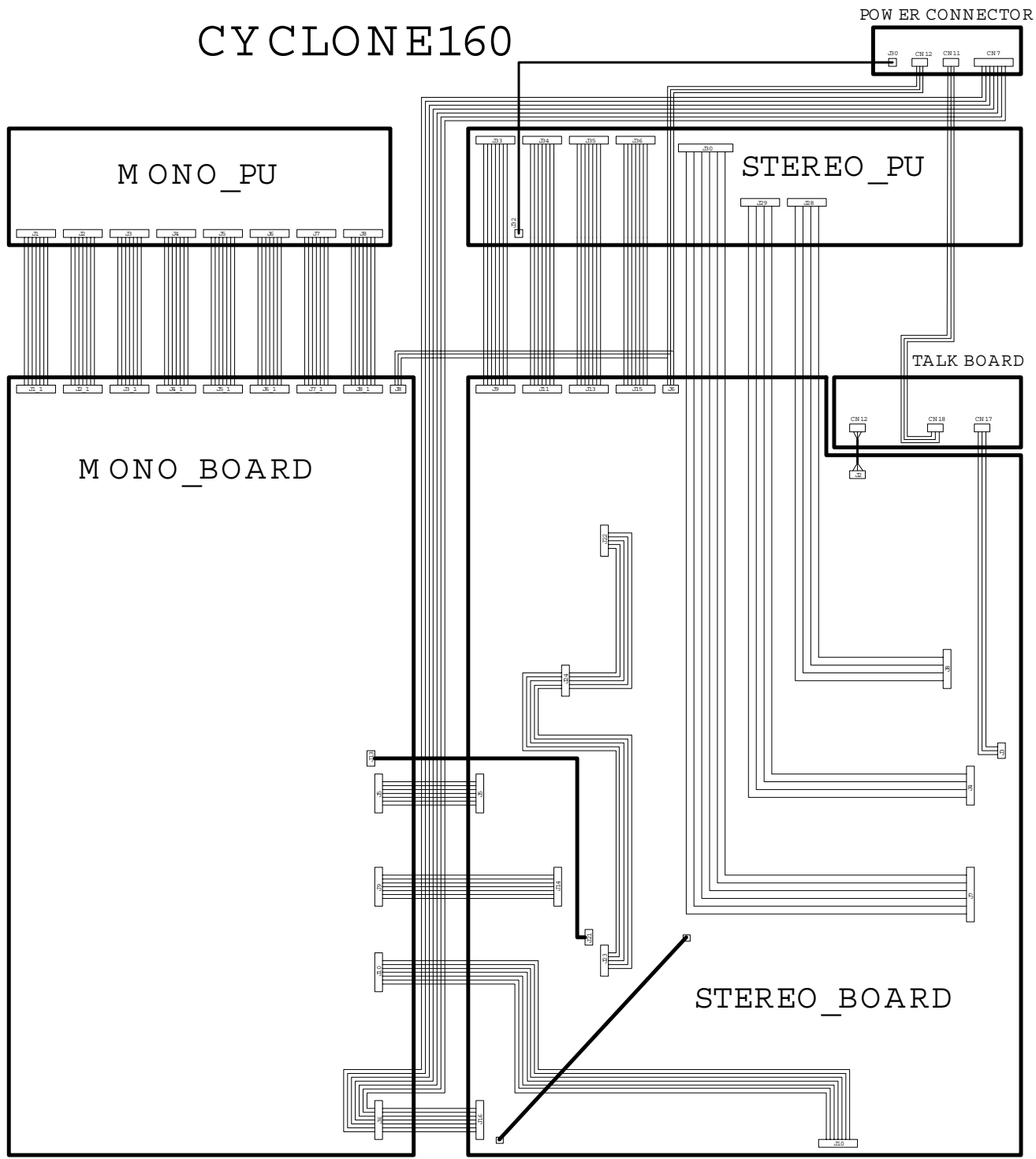
# PSM-300W



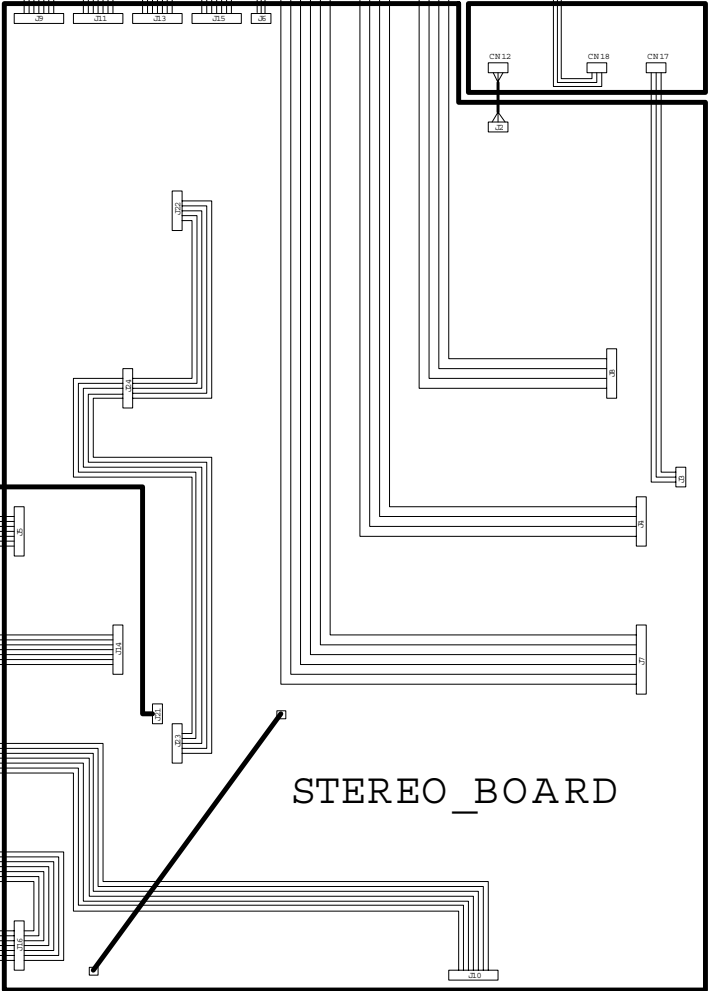
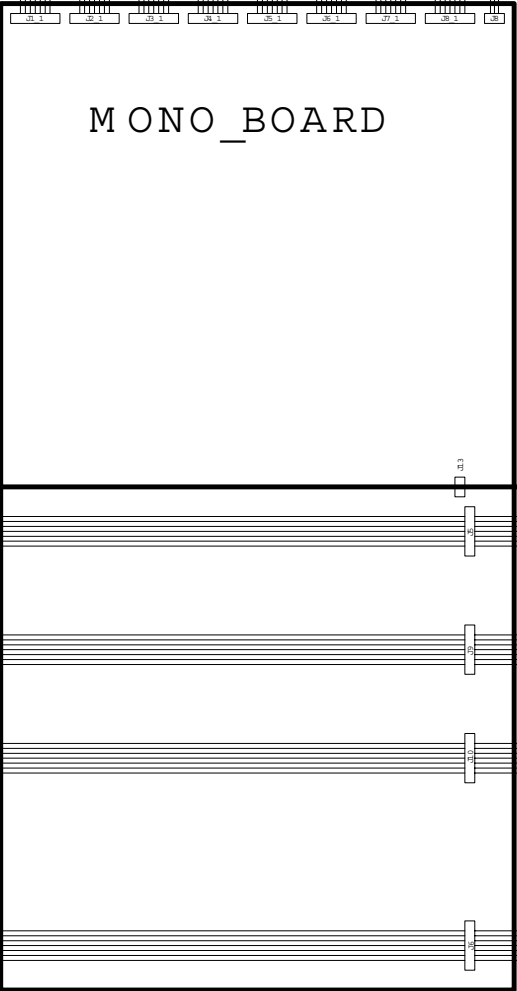
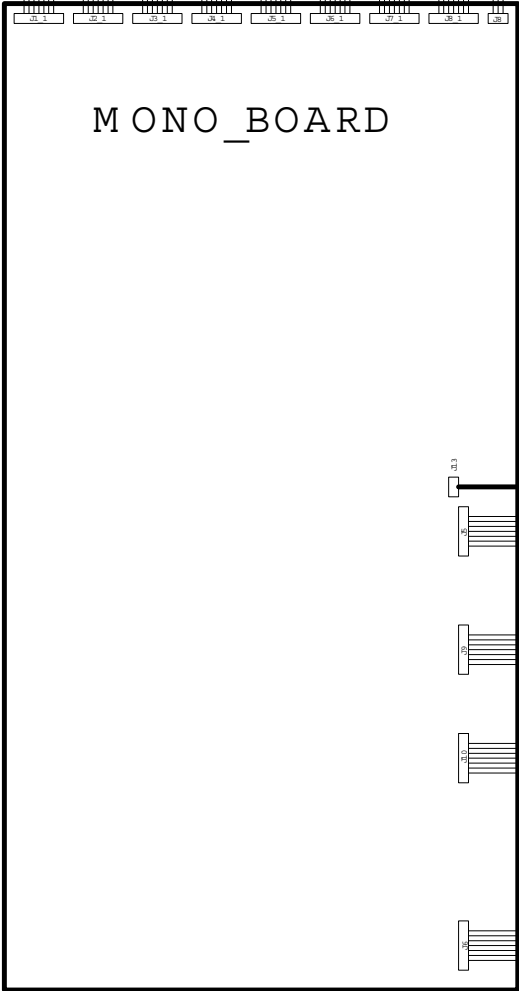
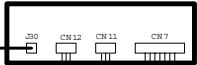
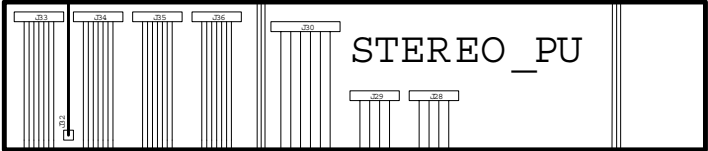
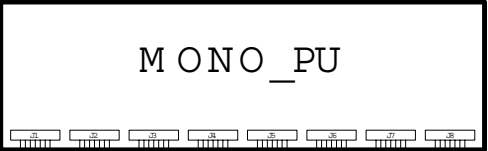
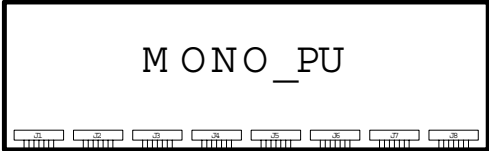
# PSM-300W-LED



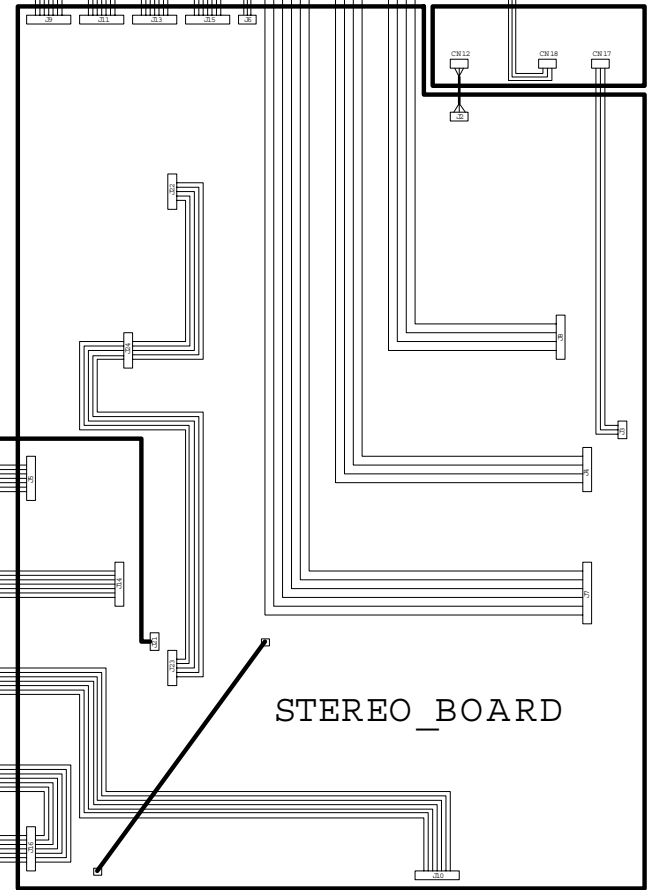
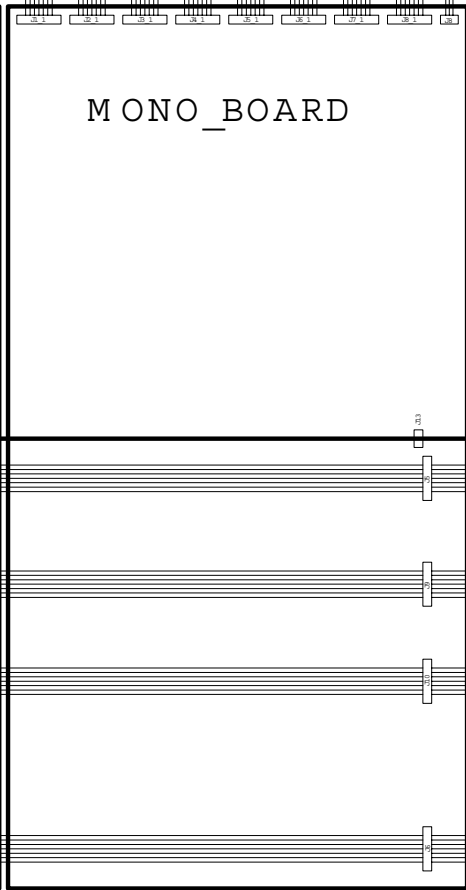
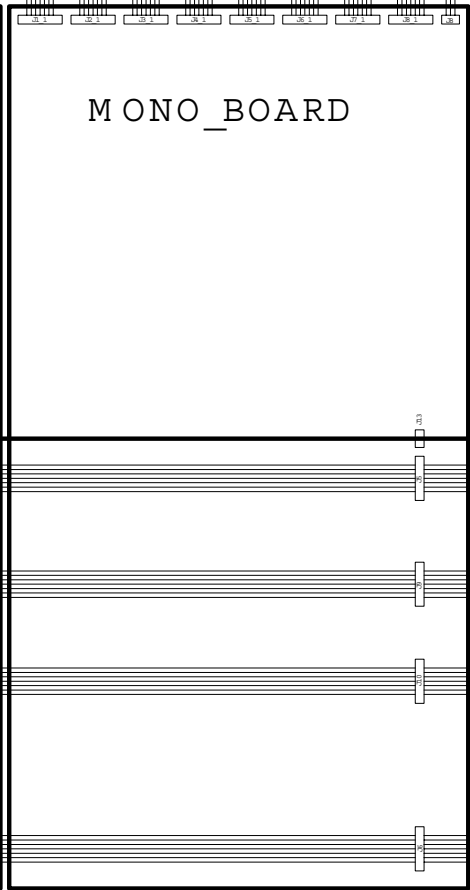
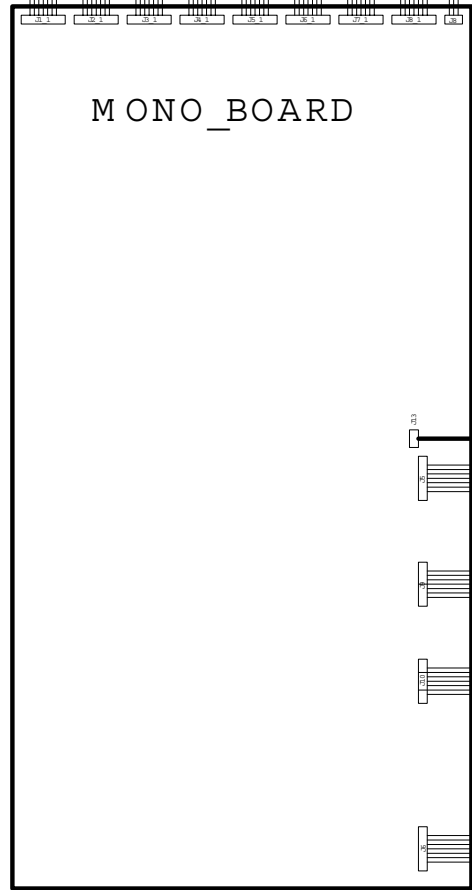
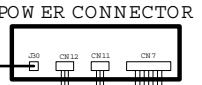
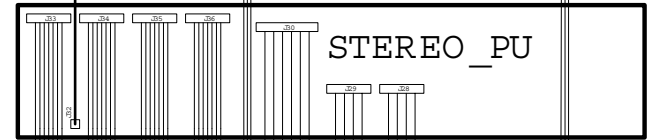
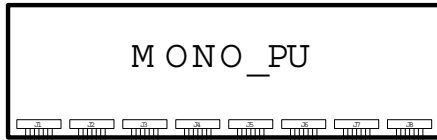
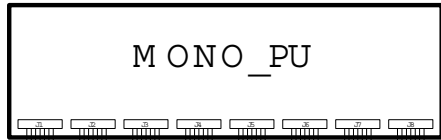
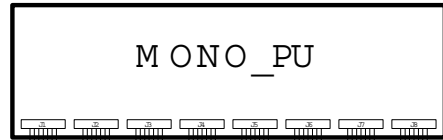
# CYCLONE160



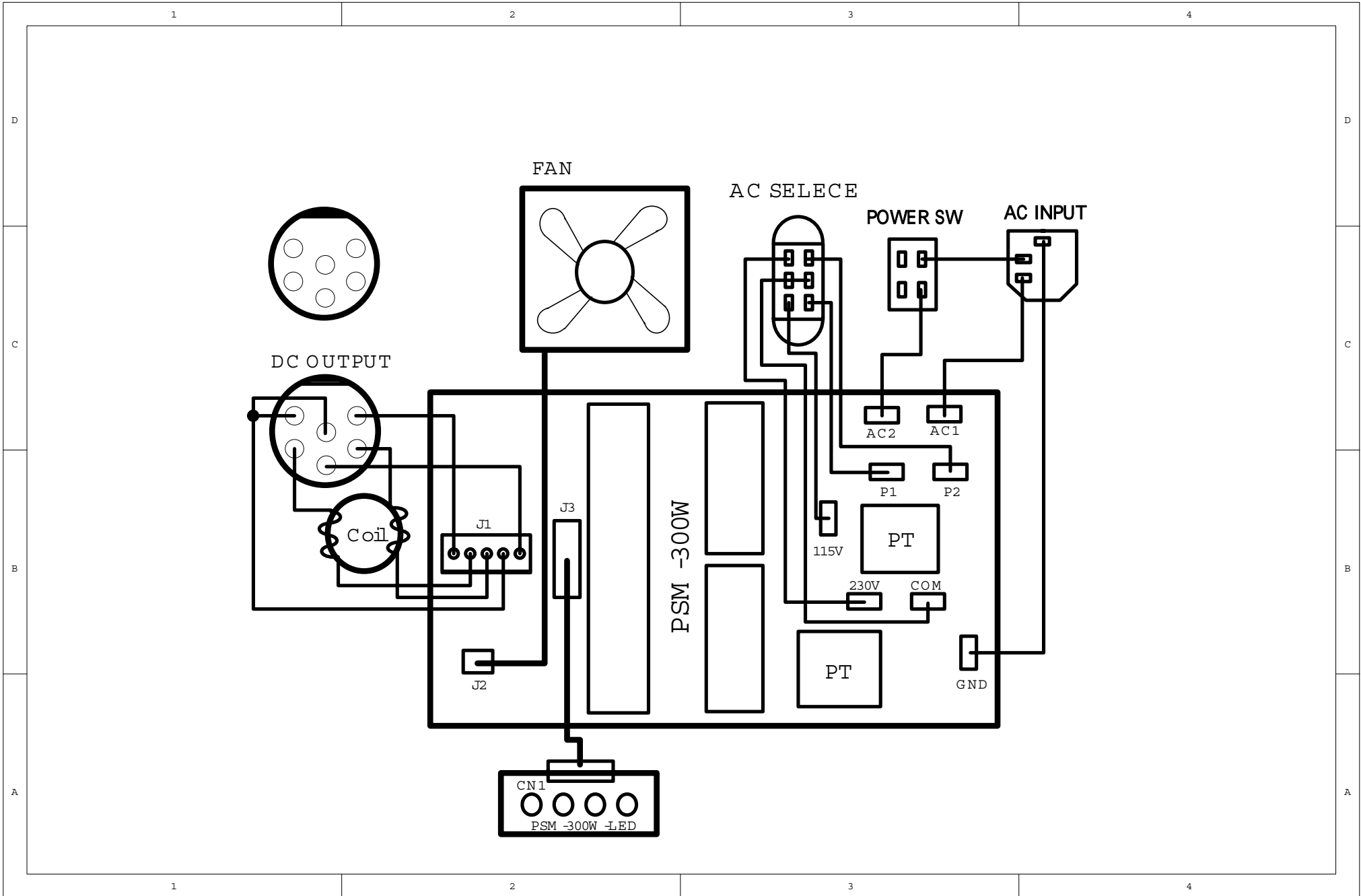
# CYCLONE240



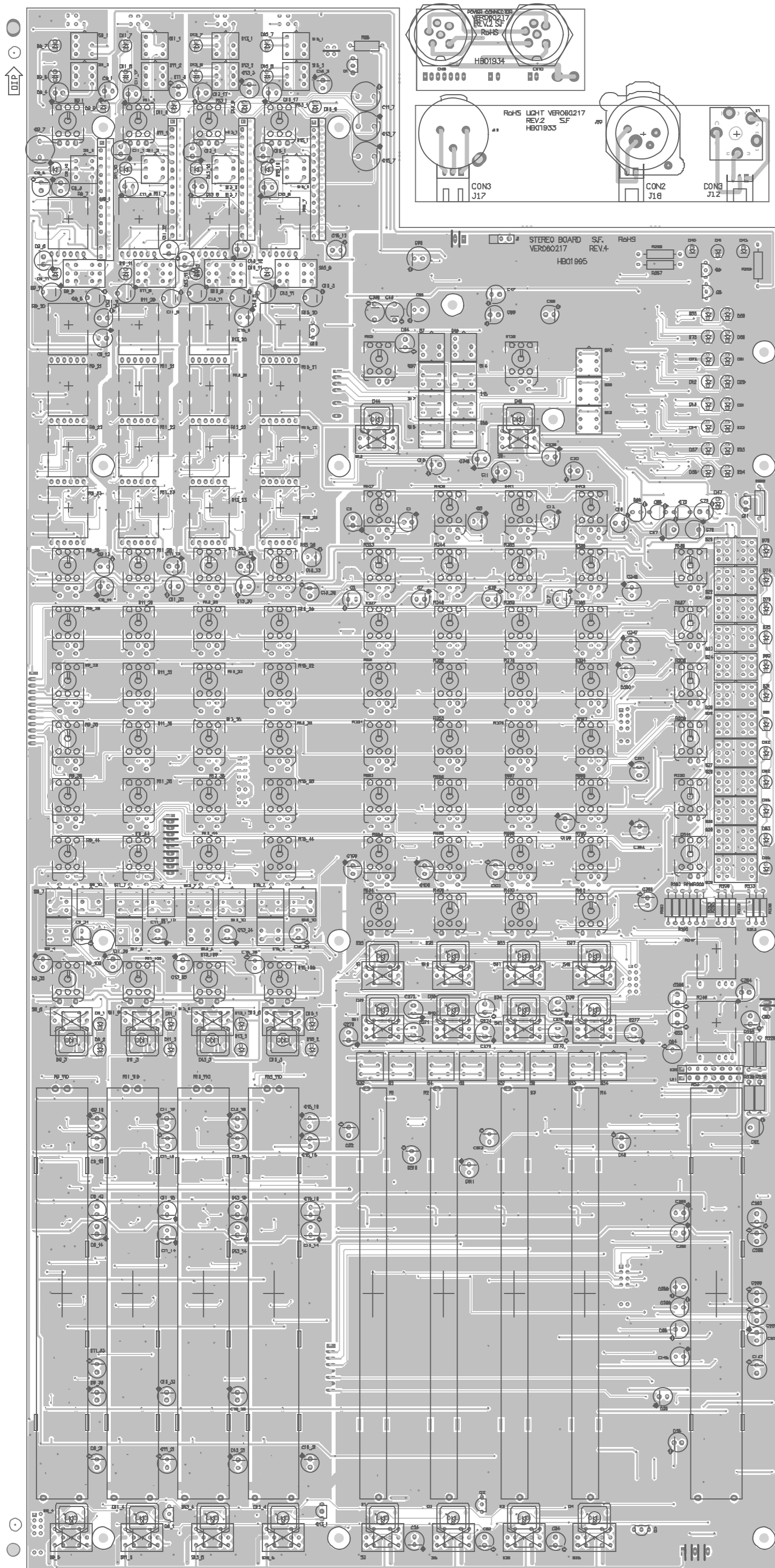
# CYCLONE320



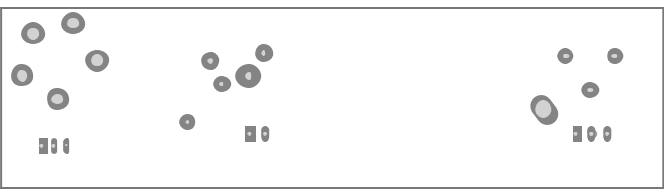
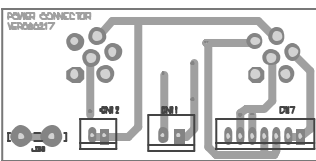
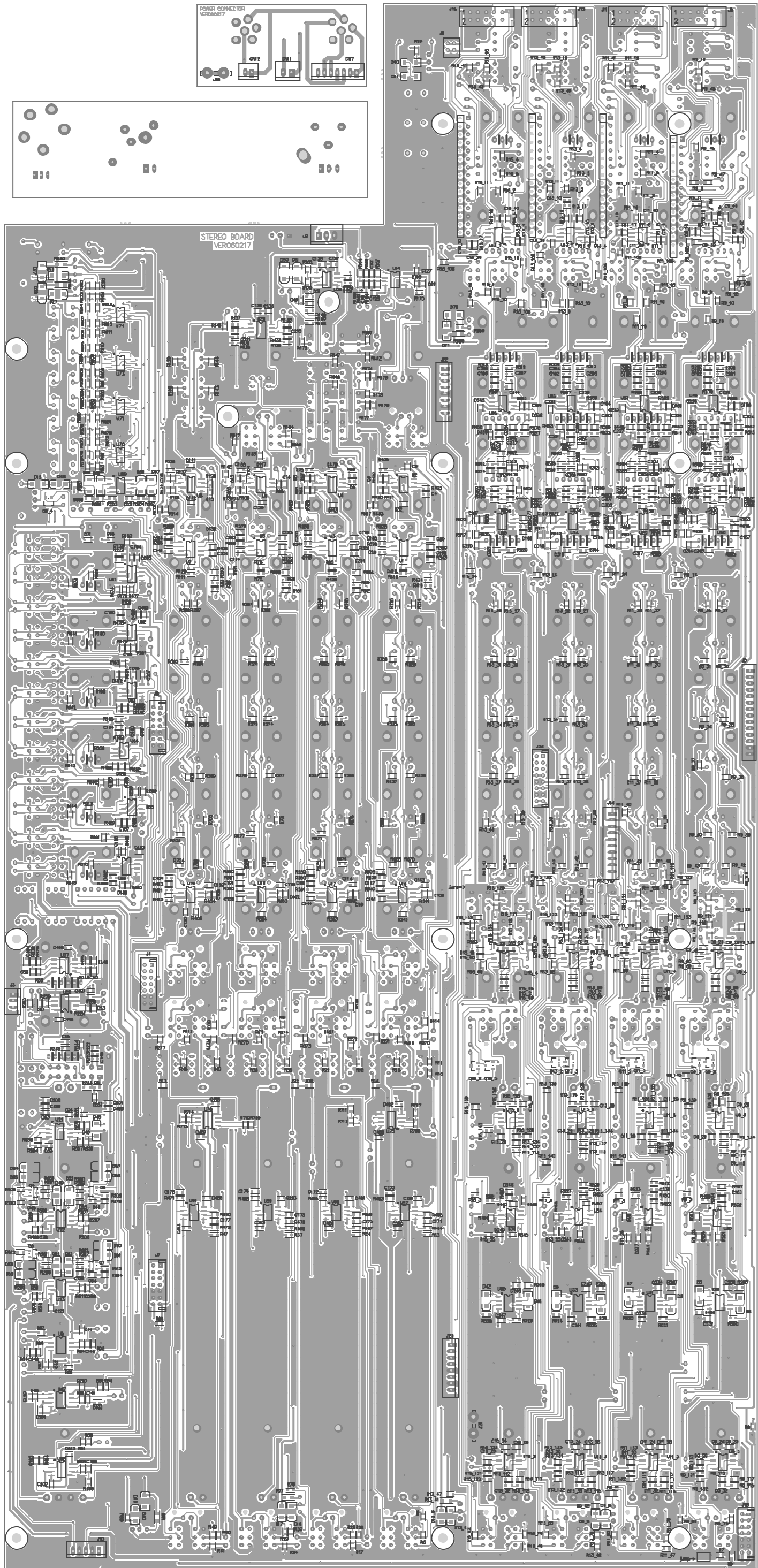
-35-



# 6. Printed Circuit Board

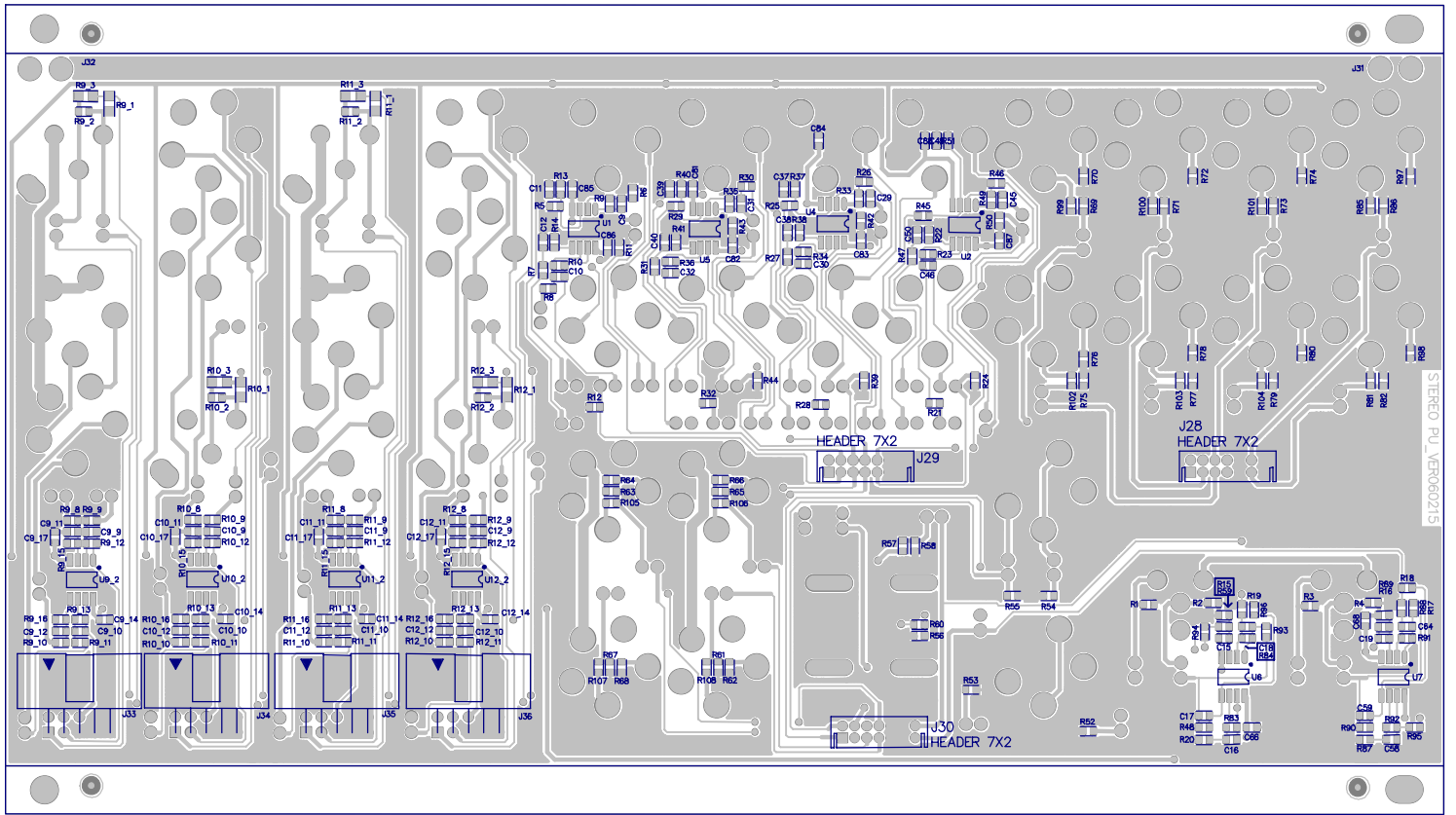


PCB: POWER  
CONNECTOR  
LIGHT  
STEREO BOARD  
BOTTOM LAYER  
BOTTOM OVERLAY  
BOTTOM SOLDER

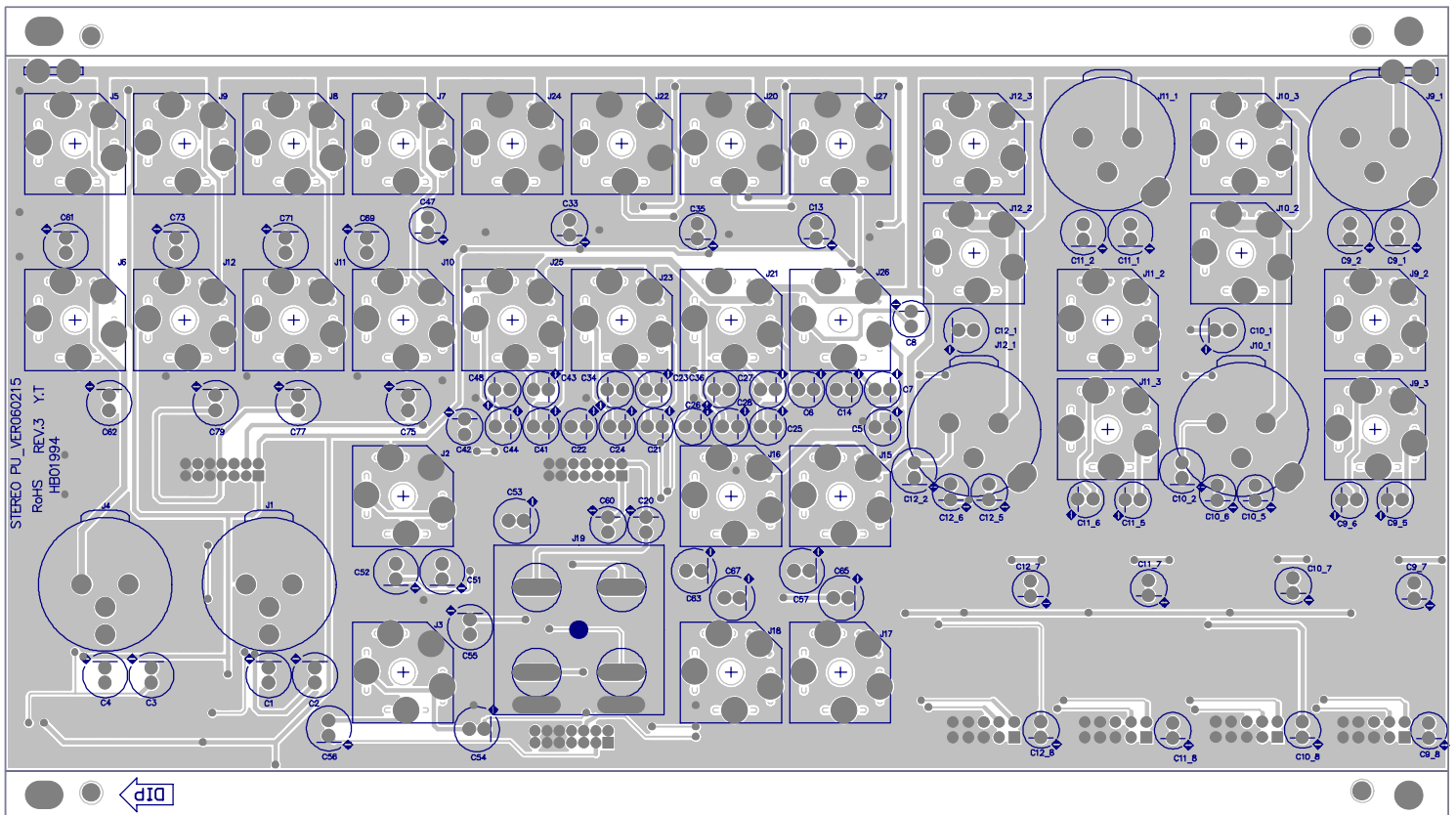


PCB: POWER  
CONNECTOR  
LIGHT  
STEREO BOARD  
TOP LAYER  
TOP OVERLAY  
TOP SOLDER

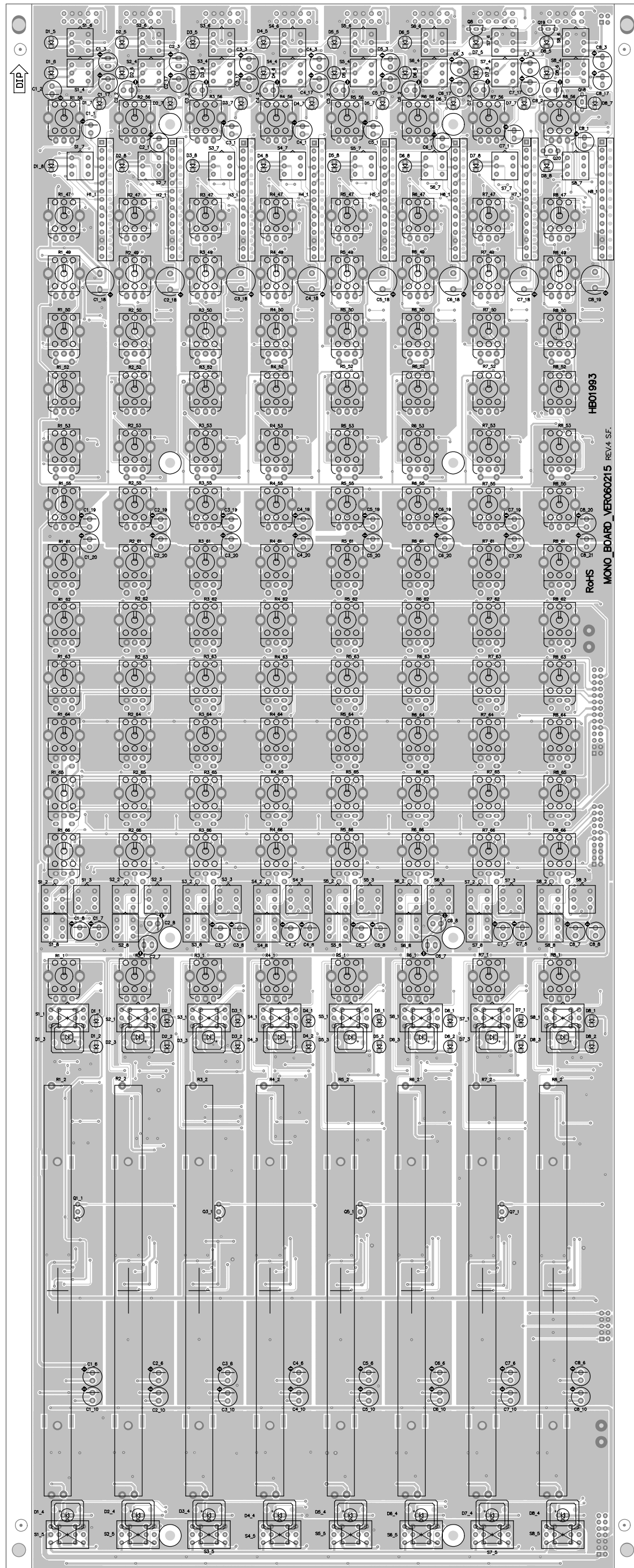




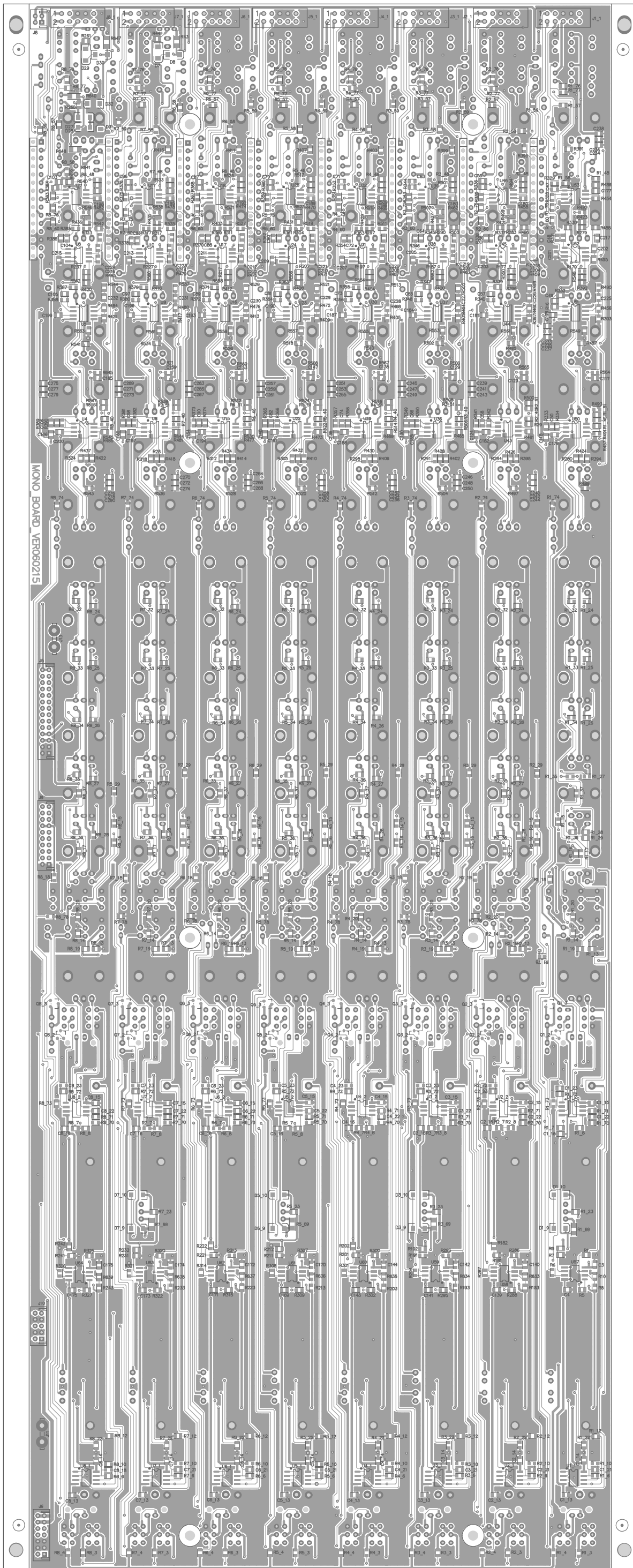
PCB:STEREO\_PU BOTTOM LAYER BOTTOM OVERLAY BOTTOM SOLDER



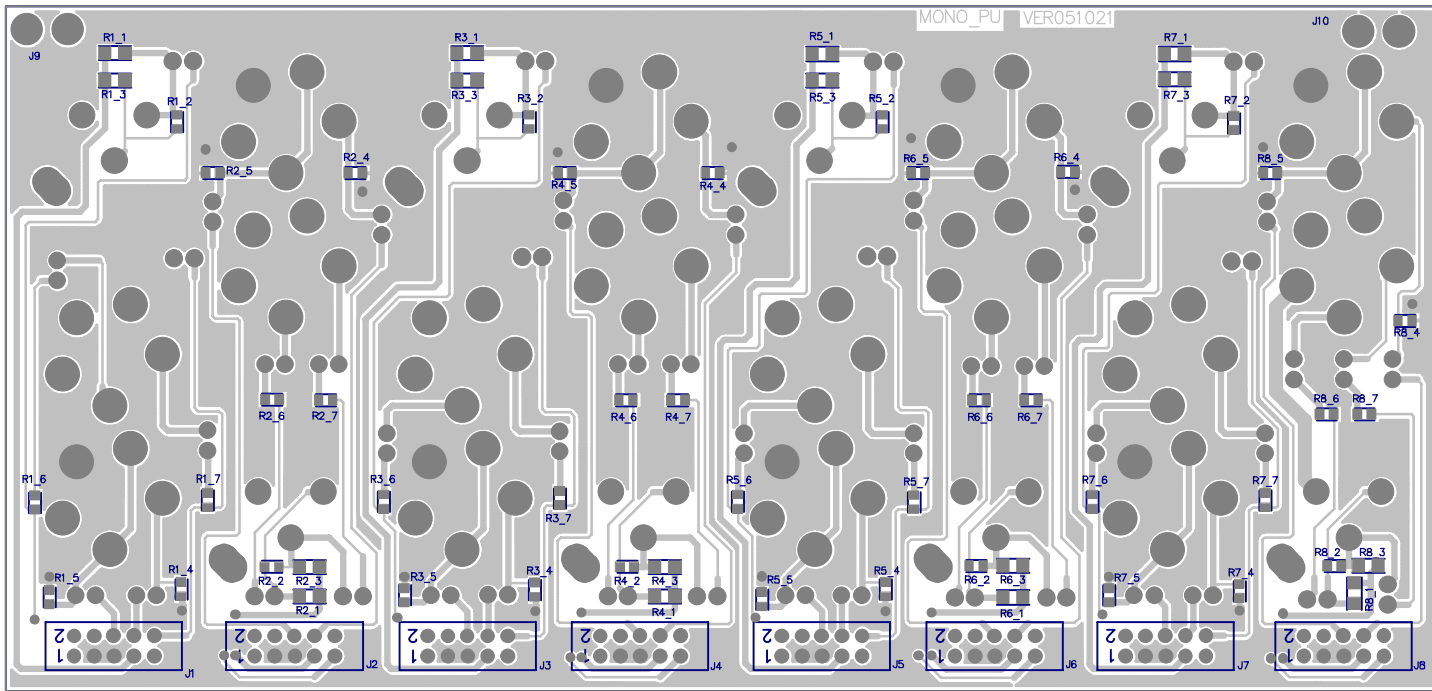
PCB:STEREO\_PU TOP LAYER TOP OVERLAY TOP SOLDER



PCB:P-MONO-BOARD  
 TOP LAYER  
 TOP OVERLAY  
 TOP SOLDER

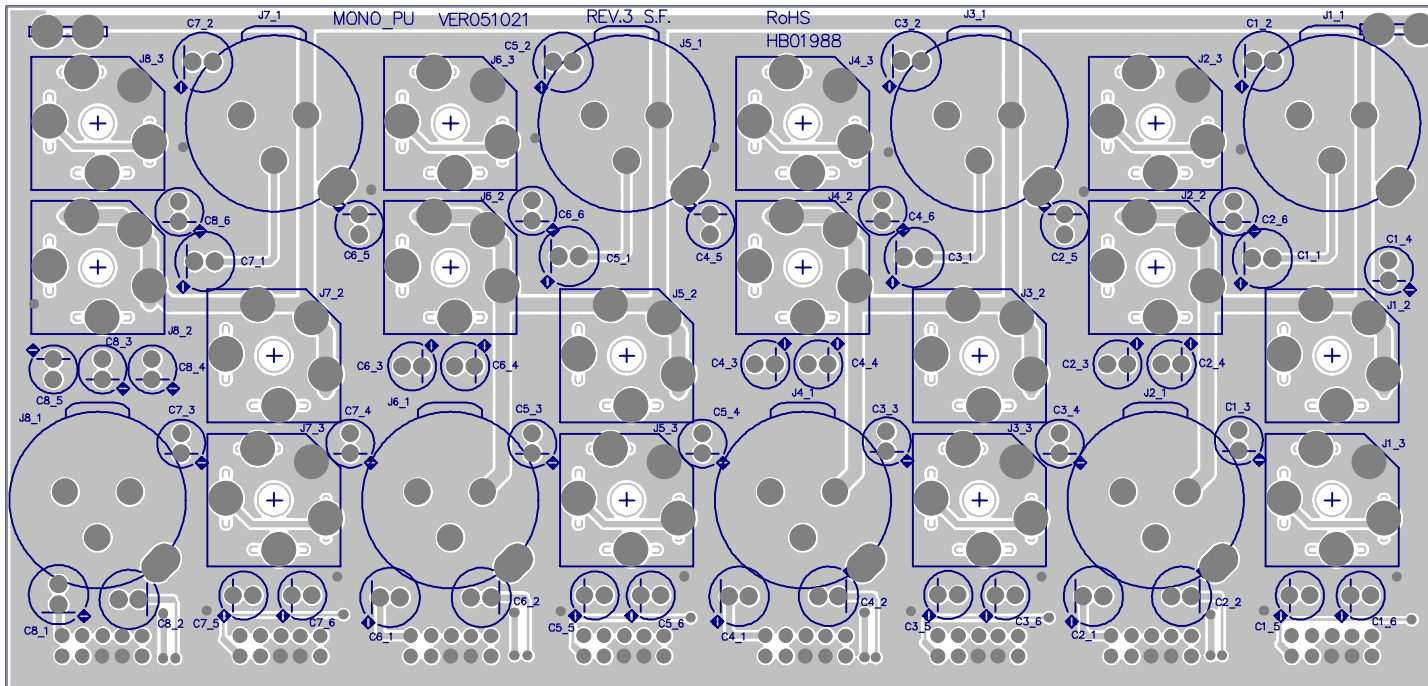


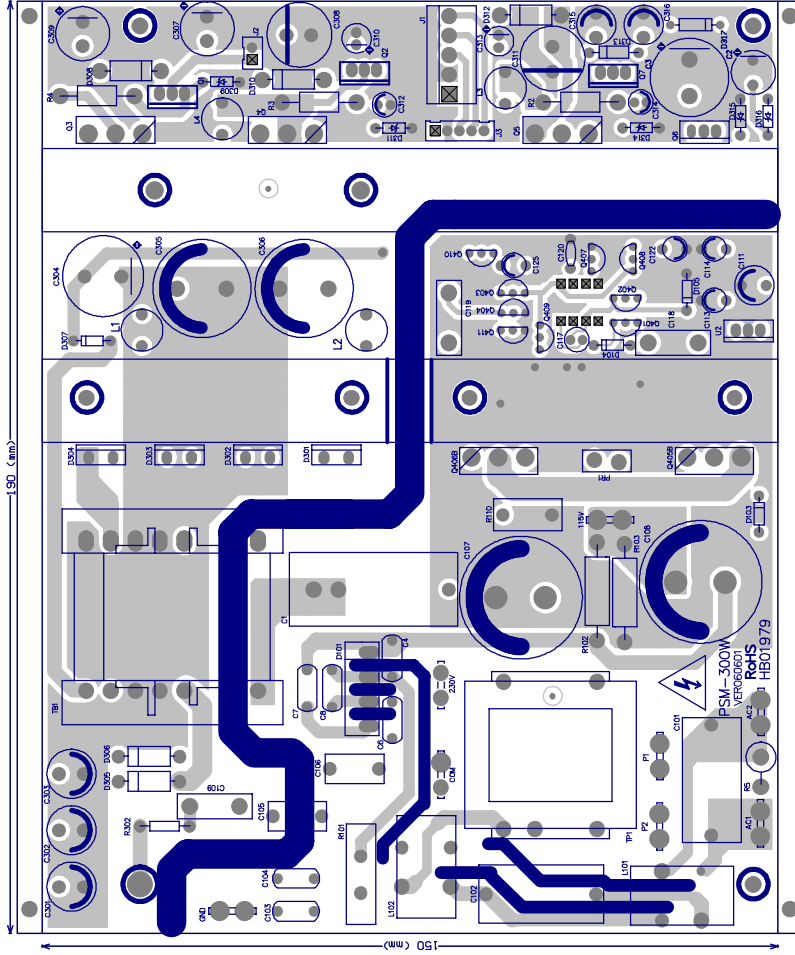
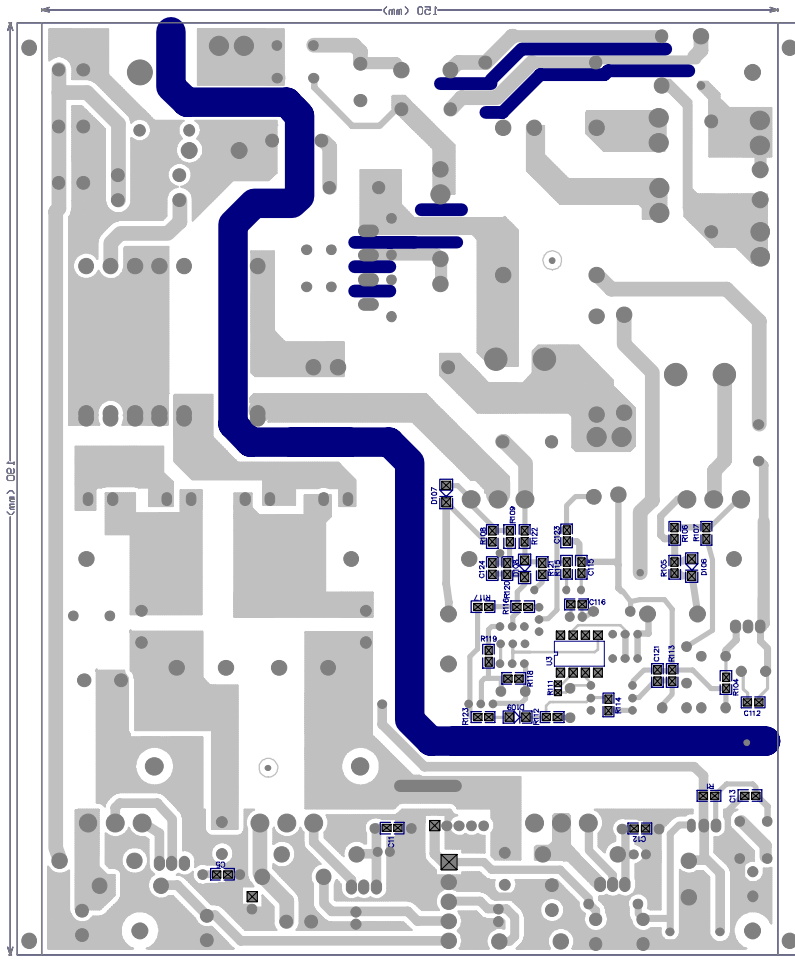
PCB:P-MONO-BOARD  
BOTTOM LAYER  
BOTTOM OVERLAY  
BOTTOM SOLDER



PCB:MONO\_PU BOTTOM LAYER BOTTOM OVERLAY BOTTOM SOLDER

PCB:MONO\_PU TOP LAYER TOP OVERLAY TOP SOLDER

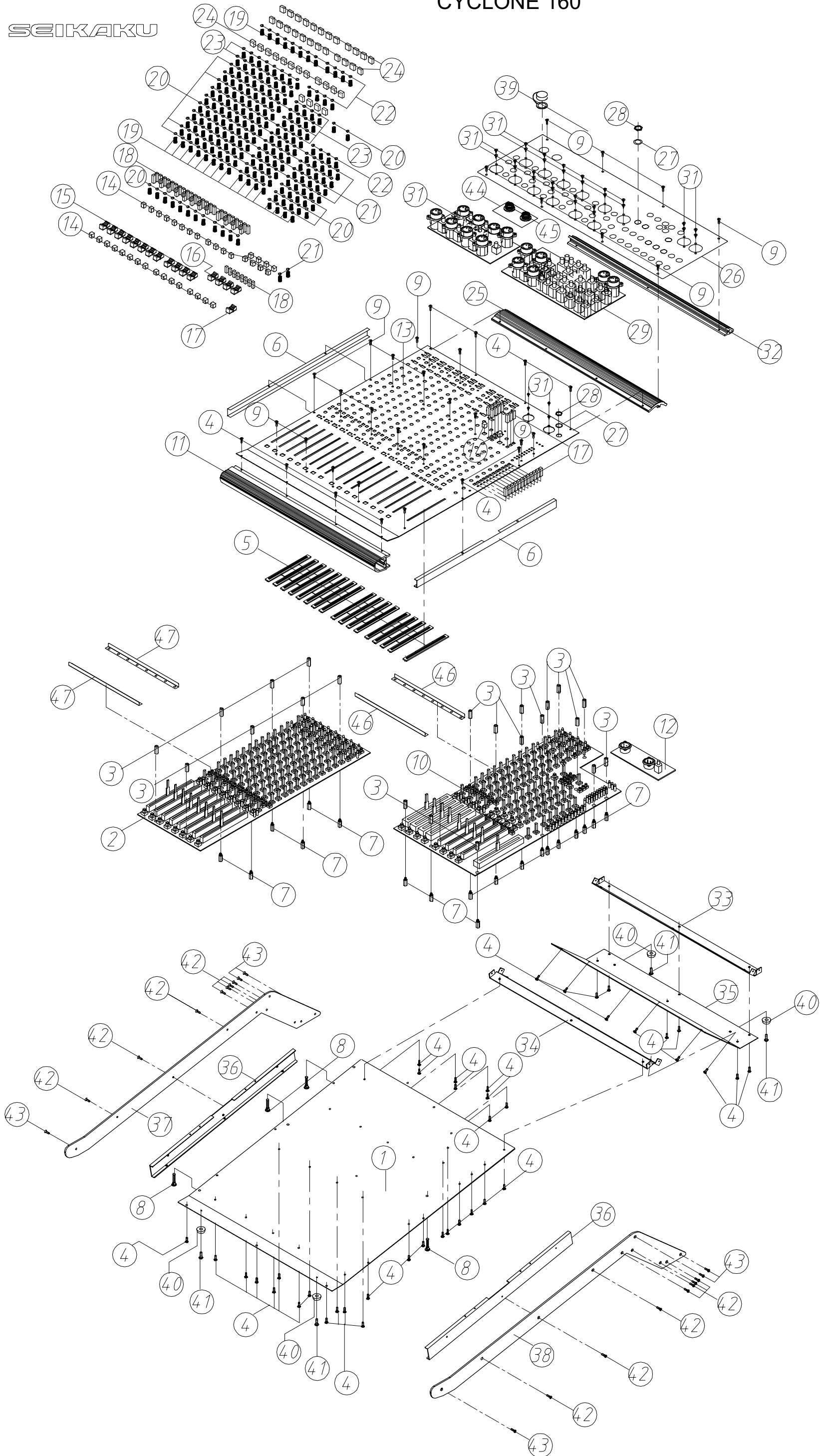




7. Exploded View & Mechanical Parts List

CYCLONE 160

SEIKAKU



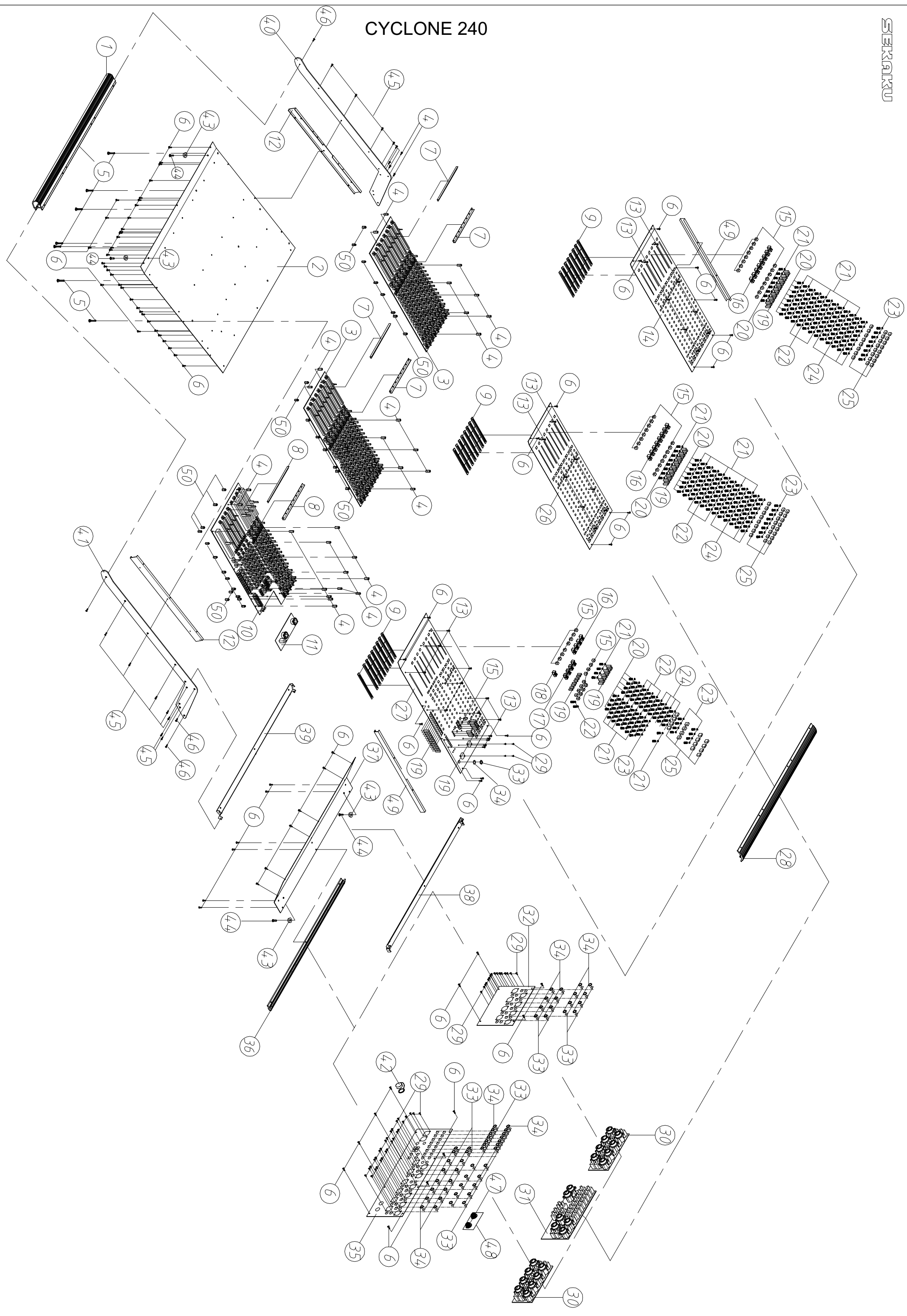
## Part List(CYCLONE160)

| Mechanical Parts List |          |                                       |                                   |     |
|-----------------------|----------|---------------------------------------|-----------------------------------|-----|
| No.                   | Item NO. | Item Description                      | Specification                     | pcs |
| 1                     | MB04305  | ZB-chassis base –SR#2000 5249         | CYCLONE160_V1.2                   | 1   |
| 2                     | HK06707  | K-PC board                            | P-CYCLONE-MONO_BOARD-DIP          | 1   |
| 3                     | MG00304  | copper pillar-RS                      | M3*14*0.5PH                       | 22  |
| 4                     | MG00041  | black-plated screw-RS-pill            | M3*6                              | 66  |
| 5                     | NI04089  | fixed bracket-ABS                     | TYPHOON1600 3.5*76*121 black_V1.0 | 17  |
| 6                     | MI02951  | ZD-fixed bracket-CYCLONE160-13        | CYCLONE160 7*8.5*164 L-shape_V1.0 | 2   |
| 7                     | MG00363  | copper pillar-RS                      | M3*14*0.5PH                       | 2   |
| 8                     | NI03193  | PC board barrier                      | RAM-25 25.4mm                     | 4   |
| 9                     | MG00249  | black plated screw                    | M3*6mm                            | 22  |
| 10                    | HK06709  | K-PC board                            | P-CYCLONE-STEREO_BOARD-DIP        | 1   |
| 11                    | MI02946  | handle                                | P-CYCLONE160 35*45.25*433.5_V1.2  | 1   |
| 12                    | HK06710  | K-PC board                            | P-CYCLONE-LIGHT CONNECTOR         | 1   |
| 13                    | MA05517  | ZC-panel-SR#2000 5249                 | CYCLONE160 ALTO_V1.3              | 1   |
| 14                    | NI03192  | ZC-lens                               | TYPHOON_V1.0                      | 38  |
| 15                    | NI03367  | slide key-ABS                         | 24*9.5*10.5 CYCLONE_V1.0          | 12  |
| 16                    | NI03056  | slide key-ABS                         | 24*9.5*10.5 TYPHOON_V1.0          | 4   |
| 17                    | NI03055  | slide key-ABS                         | 24*9.5*10.5 TYPHOON_V1.0          | 1   |
| 18                    | NI03140  | button                                | 5*5*9                             | 67  |
| 19                    | NI00359  | plastic knob                          | 10*16.5 COOL GRAY 8C              | 206 |
| 20                    | NI02692  | knob cover-ABS                        | 7*3.5 black                       | 85  |
| 21                    | NI02867  | knob cover-ABS                        | 7*3.5 221U_V1.0                   | 53  |
| 22                    | NI03161  | knob cover-ABS                        | 7*3.5 yellow_V1.0                 | 20  |
| 23                    | NI02678  | knob cover-ABS                        | 7*3.5 534C blue                   | 48  |
| 24                    | NI03139  | button                                | 10*5*9                            | 40  |
| 25                    | MI02947  | bracket                               | CYCLONE160 25.52*51.45*433.5_V1.2 | 1   |
| 26                    | MB04355  | ZC-rear panel-SR#2000 5249            | CYCLONE160_V1.3                   | 1   |
| 27                    | MF00061  | T-MIC socket washer-HC00125           | JY-6351G-02-250                   | 47  |
| 28                    | ME00060  | MIC socket nut-HC00125 accessory      | JY-6351G-02-250                   | 47  |
| 29                    | HK060605 | K-PC board                            | P-CYCLONE-MONO_PU-DIP             | 1   |
| 30                    | HKL06608 | K-PC board                            | P-CYCLONE-STEREO_PU-DIP           | 1   |
| 31                    | MG00061  | black plated screw-RS-pill-iron plate | M3*10                             | 33  |
| 32                    | MI02949  | bracket                               | CYCLONE160 21.15*26.3*433.5_V1.2  | 1   |
| 33                    | MI02950  | ZD-fixed bracket-CYCLONE160-07        | CYCLONE160 27.76*41.39433.5_V1.2  | 1   |

|    |         |                                |                                   |    |
|----|---------|--------------------------------|-----------------------------------|----|
| 34 | MI02948 | ZD-fixed bracket-CYCLONE160-07 | CYCLONE160 27.76*41.39*433.5_V1.2 | 1  |
| 35 | MB04307 | ZB-chassis-SR#2000 5249        | CYCLONE160_V1.2                   | 1  |
| 36 | MI02951 | ZD-fixed bracket-CYCLONE160-12 | CYCLONE160 7.5*31.6*420_V1.0      | 2  |
| 37 | MJ01290 | ZE-side panel                  | CYCLONE160 left_V1.0              | 1  |
| 38 | MJ01288 | ZE-side panel                  | CYCLONE160 right_V1.0             | 1  |
| 39 | NI03710 | rubber stopper                 | 50.9*6.8 black_V1.1               | 1  |
| 40 | NI02842 | foot cushion-ABS               | Φ21.8*10(FFS-1)_V1.0              | 4  |
| 41 | MG00027 | black plated screw-RS          | M3*12                             | 4  |
| 42 | MG00281 | Ni screw-RS                    | M3*6                              | 14 |
| 43 | MG00589 | Ni screw-RS                    | M3*4                              | 6  |
| 44 | HK06711 | K-PC board                     | P-CYCLONE-POWER CONNECTOR         | 1  |
| 45 | HC00683 | connector                      | CB-6MC 6P socket (male)           | 2  |
| 46 | MI02952 | ZD-fixed bracket-CYCLONE160-13 | CYCLONE160 7*7.5*164 L_V1.0       | 2  |
| 47 | MI02953 | ZD-fixed bracket-CYCLONE160-14 | CYCLONE160 7*7.5*173 L-V1.0       | 2  |



CYCLONE 240

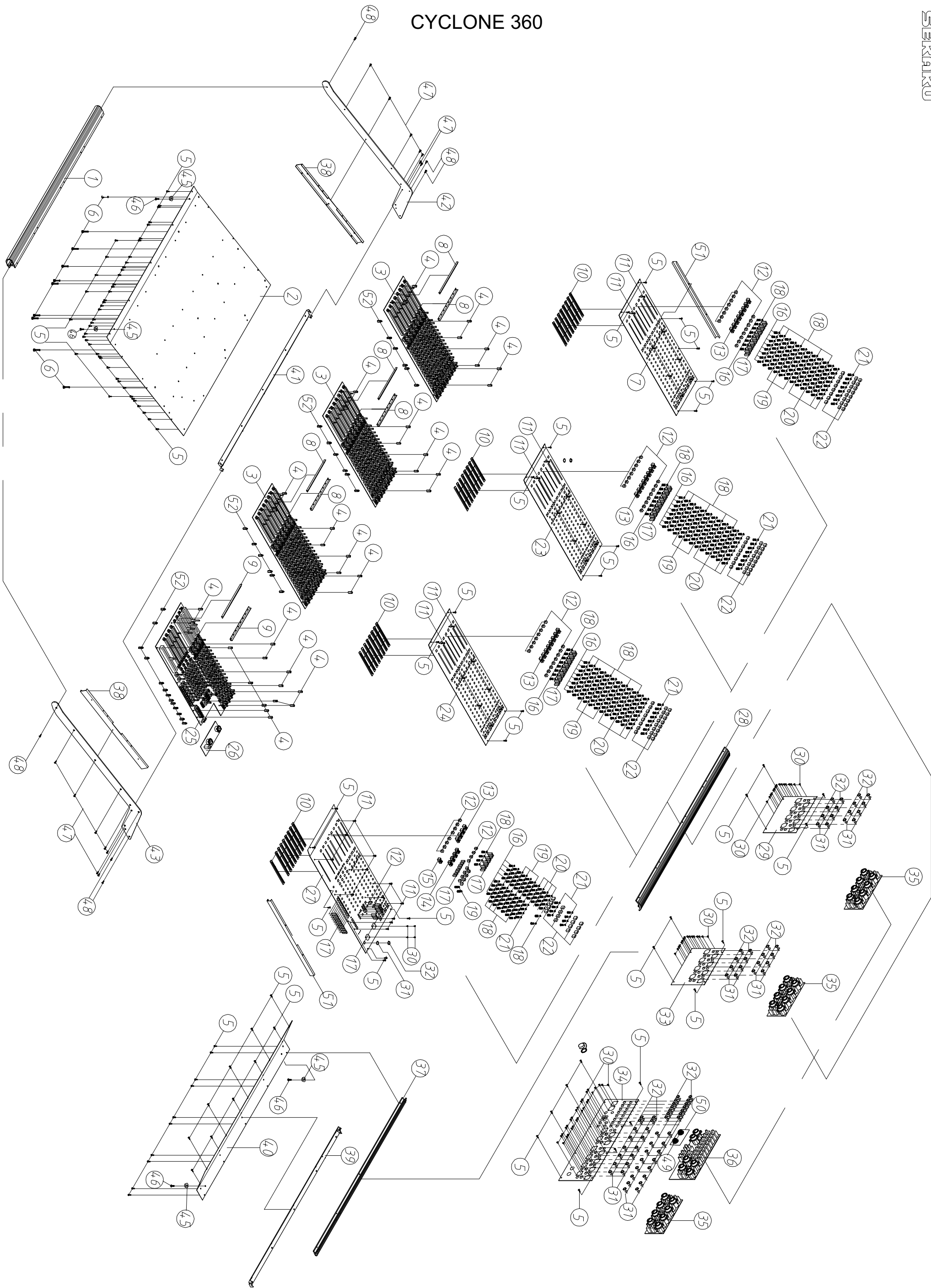


## Part List(CYCLONE 240)

| Mechanical Parts List |           |                                |                                   |     |
|-----------------------|-----------|--------------------------------|-----------------------------------|-----|
| No.                   | Item NO . | Item Description               | Specification                     | pcs |
| 1                     | M ID2960  | handle                         | CYCLONE240 35*45.25*618.5_V1.1    | 1   |
| 2                     | MB04319   | ZB-chassis-SR#2000 5249        | CYCLONE240 left_V1.3              | 1   |
| 3                     | HK06707   | K-PC board                     | P-CYCLONE-MONO_BOARD-DIP          | 2   |
| 4                     | MG 00304  | copperpillar-RS                | M 3*14*0.5PH                      | 30  |
| 5                     | N ID3193  | PC board barrier               | RAM -25.25.4mm                    | 7   |
| 6                     | MG 00041  | black plated screw -pill       | M 3*6mm                           | 82  |
| 7                     | M ID2952  | ZD-fixed bracket-CYCLONE160-13 | CYCLONE160 7*8.5*164 L_V1.0       | 4   |
| 8                     | M ID2953  | ZD-fixed bracket-CYCLONE160-14 | CYCLONE160 7*8.5*173 L_V1.0       | 2   |
| 9                     | N ID4089  | stator-ABS                     | TYPHOON1600 3.5*76*121 black_V1.0 | 25  |
| 10                    | HK06709   | K-PC board                     | P-CYCLONE-STEREO_BOARD-DIP        | 1   |
| 11                    | HK06710   | K-PC board                     | P-CYCLONE-LIGHT CONNECTOR         | 1   |
| 12                    | M ID2951  | ZD-fixed bracket-CYCLONE160-12 | CYCLONE160 7.5*31.6*420_V1.0      | 2   |
| 13                    | MG 00249  | black plated screw             | M 3*6mm                           | 30  |
| 14                    | MA05519   | ZC-panel-SR#2000 5249          | CYCLONE240 ALTO left_V1.3         | 1   |
| 15                    | N ID3192  | ZC-lens                        | TYPHOON_V1.0                      | 54  |
| 16                    | N ID3367  | slide key-ABS                  | 24*9.5*10.5 TYPHOON_V1.0          | 20  |
| 17                    | N ID3056  | slide key-ABS                  | 24*9.5*10.5 TYPHOON_V1.0          | 4   |
| 18                    | N ID3055  | slide key-ABS                  | 24*9.5*10.5 TYPHOON_V1.0          | 1   |
| 19                    | N ID3140  | button                         | 5*5*9                             | 91  |
| 20                    | N ID0359  | plastic knob                   | 10*16.5 COOLGRAY 8C               | 318 |
| 21                    | N ID2692  | knob cover-ABS                 | 7*3.5 black                       | 133 |
| 22                    | N ID2867  | knob cover-ABS                 | 7*3.5 221U_V1.0                   | 77  |
| 23                    | N ID3161  | knob cover-ABS                 | 7*3.5 yellow_V1.0                 | 28  |
| 24                    | N ID2678  | knob cover-ABS                 | 7*3.5 534 blue                    | 80  |
| 25                    | N ID3139  | button                         | 10*5*9                            | 64  |
| 26                    | MA05518   | ZC-panel-SR#2000 5249          | CYCLONE240 ALTO_V1.3              | 1   |
| 27                    | MA05520   | ZC-panel-SR#2000 5249          | CYCLONE240 ALTO right_V1.3        | 1   |
| 28                    | M ID2961  | bracket                        | CYCLONE240 25.52*51.45*618.5_V1.1 | 1   |
| 29                    | MG 00061  | black plated screw -RS -pill   | M 3*10                            | 49  |
| 30                    | HK06605   | K-PC board                     | P-CYCLONE-MONO_PU-DIP             | 2   |
| 31                    | HK06608   | K-PC board                     | P-CYCLONE-STEREO_PU-DIP           | 1   |
| 32                    | MB04357   | ZC-rearpanel-SR#2000 5249      | CYCLONE240 right_V1.0             | 1   |
| 33                    | MF00061   | washer                         | 9.6* 13*0.5t                      | 63  |

|    |         |                                |                                      |    |
|----|---------|--------------------------------|--------------------------------------|----|
| 34 | ME00060 | MC socketnutHC00125 accessory  | JY-6351G -02-250                     | 63 |
| 35 | MB04356 | ZC-rearpanelSR#2000 5249       | CYCLONE240_V1.3                      | 1  |
| 36 | MD2962  | bracket                        | CYCLONE240 21.15*26.3*618.5_V1.1     | 1  |
| 37 | MB04323 | ZB-chassisSR#2000 5249         | CYCLONE240_V1.1                      | 1  |
| 38 | MD2987  | ZD-fixed bracket-CYCLONE240-08 | CYCLONE240 1.2*22.1*35.88*618.5_V1.1 | 1  |
| 39 | MD2963  | ZD-fixed bracket-CYCLONE240-07 | CYCLONE240 27.76*41.37*618.5_V1.1    | 1  |
| 40 | MJ01290 | ZE-side panel                  | CYCLONE160 left_V1.0                 | 1  |
| 41 | MJ01288 | ZE-side panel                  | CYCLONE160 right_V1.0                | 1  |
| 42 | ND3710  | NiscREW-RS                     | M 3*6                                | 1  |
| 43 | ND2842  | footcushion-ABS                | 21.8*10 (FFS-1)_V1.0                 | 4  |
| 44 | MG00027 | black plated screw-RS          | M 3*12                               | 4  |
| 45 | MG00281 | NiscREW-RS                     | M 3*6                                | 14 |
| 46 | MG00589 | NiscREW-RS                     | M 3*4                                | 6  |
| 47 | HC00683 | connector                      | CB-6MC 6P socket (male)              | 2  |
| 48 | HK06711 | K-PC board                     | P-CYCLONE-POWER CONNECTOR            | 1  |
| 49 | MD2951  | ZD-fixed bracket-CYCLONE160-13 | CYCLONE160 7*8.5*164 L_V1.0          | 2  |
| 50 | MG00363 | copperpillar-RS                | M 3*14*0.5PH                         | 25 |

# CYCLONE 360



## PartList(CYCLONE360)

| MechanicalParts List |           |                                 |                                   |     |
|----------------------|-----------|---------------------------------|-----------------------------------|-----|
| No.                  | Item NO . | Item Description                | Specification                     | pcs |
| 1                    | M ID2964  | handle                          | CYCLONE320 35*45.25*803_V1.1      | 1   |
| 2                    | MB04325   | ZB-chassis-SR#2000 5249         | CYCLONE320 left_V1.2              | 1   |
| 3                    | HK06707   | K-PC board                      | P-CYCLONE-MONO_BOARD-DIP          | 3   |
| 4                    | MG 00304  | copperpillar-RS                 | M 3*14*0.5PH                      | 38  |
| 5                    | MG 00041  | black plated screw -pill        | M 3*6mm                           | 110 |
| 6                    | N ID3193  | PC board barrier                | RAM -25.25.4mm                    | 10  |
| 7                    | MA05519   | ZC-panel-SR#2000 5429           | CYCLONE240 ALTO left_V1.3         | 1   |
| 8                    | M ID2952  | ZD-fixed bracket-CYCLONE160-13  | CYCLONE160 7*8.5*164 L_V1.0       | 6   |
| 9                    | M ID2953  | ZD-fixed bracket-CYCLONE160-14  | CYCLONE160 7*8.5*173 L_V1.0       | 2   |
| 10                   | N ID4089  | Stator-ABS                      | TYPHOON1600 3.5*76*121 black_V1.0 | 33  |
| 11                   | MG 00249  | black plated screw              | M 3*6mm                           | 38  |
| 12                   | N ID3192  | ZC-lens                         | TYPHOON_V1.0                      | 70  |
| 13                   | N ID3367  | slide key-ABS                   | 24*9.5*10.5 TYPHOON_V1.0          | 28  |
| 14                   | N ID3056  | slide key-ABS                   | 24*9.5*10.5 TYPHOON_V1.0          | 4   |
| 15                   | N ID3055  | slide key-ABS                   | 24*9.5*10.5 TYPHOON_V1.0          | 1   |
| 16                   | N ID0359  | plastic knob                    | 10*16.5 COOLGRAY 8C               | 430 |
| 17                   | N ID3140  | button                          | 5*5*9                             | 115 |
| 18                   | N ID2692  | knob cover-ABS                  | 7*3.5 black                       | 181 |
| 19                   | N ID2867  | knob cover-ABS                  | 7*3.5 221U_V1.0                   | 101 |
| 20                   | N ID2678  | knob cover-ABS                  | 7*3.5 534 blue                    | 112 |
| 21                   | N ID3161  | knob cover-ABS                  | 7*3.5 yellow_V1.0                 | 36  |
| 22                   | N ID3139  | button                          | 10*5*9                            | 88  |
| 23                   | MA05518   | ZC-panel-SR#2000 5249           | CYCLONE240 ALTO_V1.3              | 1   |
| 24                   | MA05520   | ZC-panel-SR#2000 5249           | CYCLONE240 ALTO right_V1.3        | 1   |
| 25                   | HK06709   | K-PC board                      | P-CYCLONE-STEREO_BOARD-DIP        | 1   |
| 26                   | HK06710   | K-PC board                      | P-CYCLONE-LIGHT CONNECTOR         | 1   |
| 27                   | MA05521   | ZC-panel-SR#2000 5249           | CYCLONE320 ALTO right_V1.3        | 1   |
| 28                   | M ID2961  | bracket                         | CYCLONE320 25.52*51.45*803_V1.1   | 1   |
| 29                   | MB04357   | ZC-rearpanel-SR#2000 5249       | CYCLONE240 right_V1.0             | 1   |
| 30                   | MG 00061  | black plated screw -RS -pill    | M 3*10                            | 65  |
| 31                   | MF00061   | washer                          | 9.6* 13*0.5t                      | 79  |
| 32                   | ME00060   | M IC socketnutHC00125 accessory | JY-6351G -02-250                  | 79  |
| 33                   | MB04358   | ZC-rearpanel-SR#2000 5248       | CYCLONE320_V1.3                   | 1   |

|    |         |                                |                                  |    |
|----|---------|--------------------------------|----------------------------------|----|
| 34 | MB04359 | ZC-rearpanel-SR#2000 5249      | CYCLONE320 left_V1.2             | 1  |
| 35 | HK06605 | K-PC board                     | P-CYCLONE-MONO_PU-DIP            | 3  |
| 36 | HK06608 | K-PC board                     | P-CYCLONE-STEREO_PU-DIP          | 1  |
| 37 | MID2966 | bracket                        | CYCLONE320 21.15*26.3*803_V1.2   | 1  |
| 38 | MID2951 | ZD-fixed bracket-CYCLONE160-12 | CYCLONE160 7.5*31.6*420_V1.0     | 2  |
| 39 | MID2988 | ZD-fixed bracket-CYCLONE320-05 | CYCLONE320 1.2*22*35.88*803_V1.2 | 1  |
| 40 | MB04327 | ZB-chassis-SR#2000 5249        | CYCLONE320_V1.2                  | 1  |
| 41 | MID2967 | ZD-fixed bracket-CYCLONE320-04 | CYCLONE320 27.76*41.37*803_V1.1  | 1  |
| 42 | MJ01290 | ZE-side panel                  | CYCLONE160 left_V1.0             | 1  |
| 43 | MJ01288 | ZE-side panel                  | CYCLONE160 right_V1.0            | 1  |
| 44 | NI03710 | rubber stopper                 | 50.9*6.8 black_V1.1              | 1  |
| 45 | NI02842 | foot cushion-ABS               | 21.8*10 (FFS-1)_V1.0             | 4  |
| 46 | MG00027 | black plated screw-RS          | M 3*12                           | 4  |
| 47 | MG00281 | Niscrew-RS                     | M 3*6                            | 14 |
| 48 | MG00589 | Niscrew-RS                     | M 3*4                            | 6  |
| 49 | HC00683 | connector                      | CB-6MC 6P socket (male)          | 2  |
| 50 | HK06711 | K-PC board                     | P-CYCLONE-POWER CONNECTOR        | 1  |
| 51 | MID2951 | ZD-fixed bracket-CYCLONE160-13 | CYCLONE160 7*8.5*164_L_V1.0      | 1  |
| 52 | MG00363 | copper pillar-RS               | M 3*14*0.5PH                     | 31 |

## 8. Electrical Parts List

### CYCLONE 160

| No. | Part No. | Description        | Specification                       | Remark |
|-----|----------|--------------------|-------------------------------------|--------|
| 1   | MA05517  | panel              | CYCLONE160 ALTO_V1.5                |        |
| 2   | MA05500  | panel              | CYCLONE160                          |        |
| 3   | MA05499  | panel              | CYCLONE160 1.0*433.5*535.2_V1.3     |        |
| 4   | MJ00058  | single light board | 1*2135*1220 20.45kg                 |        |
| 5   | AE00055  | solvent            | solvent                             |        |
| 6   | AE00235  | paint              | 5249                                |        |
| 7   | MB04355  | chassis            | CYCLONE160_V1.4                     |        |
| 8   | MB04303  | rear board         | CYCLONE160                          |        |
| 9   | MB04302  | rear board         | CYCLONE160 1.0*152.6*433.5_V1.2     |        |
| 10  | MJ00058  | single light board | 1*2135*1220 20.45kg                 |        |
| 11  | AE00055  | solvent            | solvent                             |        |
| 12  | AE00235  | paint              | 5249                                |        |
| 13  | MB04305  | rear board         | CYCLONE160_V1.2                     |        |
| 14  | AE00055  | solvent            | solvent                             |        |
| 15  | AE00235  | paint              | 5249                                |        |
| 16  | MB04304  | rear board         | CYCLONE160 1.0*433.5*533.26_V1.3    |        |
| 17  | MJ00058  | single light board | 1*2135*1220 20.45kg                 |        |
| 18  | MB04307  | rear board         | CYCLONE160_V1.2                     |        |
| 19  | MB04306  | rear board         | CYCLONE160 1.0*89.13*433.5_V1.2     |        |
| 20  | MJ00058  | single light board | 1*2135*1220 20.45kg                 |        |
| 21  | AE00235  | paint              | 5249                                |        |
| 22  | AE00055  | solvent            | solvent                             |        |
| 23  | MI03549  | holder             | CYCLONE160 25.52*51.45*433.5_V 1.0  |        |
| 24  | AE00343  | .                  | .                                   |        |
| 25  | AE00177  | paint              | 4866                                |        |
| 26  | MI02947  | bracket            | CYCLONE160 25.52*51.45*433.5_V1.2   |        |
| 27  | MI03569  | bracket            | CYCLONE160 25.52*51.45*433.5_V 1.0  |        |
| 28  | MI03550  | handle             | CYCLONE160 35*45.25*433.5_V 1.0     |        |
| 29  | AE00177  | paint              | 4866                                |        |
| 30  | MI02946  | handle             | CYCLONE160 35*45.25*433.5_V1.2      |        |
| 31  | MI03570  | handle             | CYCLONE160 35*45.25*433.5_V 1.0     |        |
| 32  | MI03551  | holder             | CYCLONE160 21.15*26.3*433.5_V 1.0   |        |
| 33  | AE00177  | paint              | 4866                                |        |
| 34  | MI02949  | bracket            | CYCLONE160 21.15*26.3*433.5_V1.2    |        |
| 35  | MI03568  | bracket            | CYCLONE160 21.15*26.3*433.5_V 1.0   |        |
| 36  | MI02948  | fixed bracket      | CYCLONE160 27.76*41.39*433.5_V1.2   |        |
| 37  | MJ00063  | iron board         | 1.2*2135*1220 24.54kg               |        |
| 38  | MI02950  | fixed bracket      | CYCLONE160 22.13*35.77*433.5_V1.2   |        |
| 39  | MJ00063  | iron board         | 1.2*2135*1220 24.54kg               |        |
| 40  | MJ01288  | side cover board   | CYCLONE160 right_V1.0               |        |
| 41  | MJ01287  | side cover board   | CYCLONE160 3*131.5*737.1 right_V1.0 |        |
| 42  | MJ00057  | AL plate-RS        | 3.0t*2000*1000mm 16.32kg            |        |

| No. | Part No. | Description                  | Specification                          | Remark  |
|-----|----------|------------------------------|--|---|
| 43  | AE00177  | paint                        | 4866                                   |   |
| 44  | MJ01290  | side cover board             | CYCLONE160 left_V1.0                   |   |
| 45  | MJ01289  | side cover board             | CYCLONE160 3*131.5*737.1 left_V1.0     |   |
| 46  | MJ00057  | AL plate-RS                  | 3.0t*2000*1000mm 16.32kg               |   |
| 47  | AE00177  | paint                        | 4866                                   |   |
| 48  | MI02955  | fixed bracket                | CYCLONE160 left_V1.0                   |   |
| 49  | AE00055  | solvent                      | solvent                                |   |
| 50  | AE00235  | paint                        | 5249                                   |   |
| 51  | MI02954  | fixed bracket                | CYCLONE160 1.5t*25.5*38*515 left_V1.0  |   |
| 52  | MJ00088  | single light board           | 1.5*2135*1220 30.67kg                  |   |
| 53  | MI02957  | fixed bracket                | CYCLONE160 right_V1.0                  |   |
| 54  | AE00055  | solvent                      | solvent                                |   |
| 55  | AE00235  | paint                        | 5249                                   |   |
| 56  | MI02956  | fixed bracket                | CYCLONE160 1.5t*25.5*38*515 right_V1.0 |   |
| 57  | MJ00088  | single light board           | 1.5*2135*1220 30.67kg                  |   |
| 58  | MI02951  | fixed bracket                | CYCLONE160 7.5*31.6*420_V1.0           |   |
| 59  | MJ00063  | iron board                   | 1.2*2135*1220 24.54kg                  |   |
| 60  | HK06605  | PC board                     | P-CYCLONE-MONO_PU-DIP                  |   |
| 61  | HC00504  | connector(male)              | 10P 2.54mm 180°                        | J1,J2,J3,J4,J5,J6,J7,J8   |
| 62  | HC00371  | MIC jack                     | SCJ-0658-1-Y                           | J1_3,J2_3,J3_3,J4_3,J5_3,J6_3,J7_3,J8_3   |
| 63  | HC00125  | MIC jack-RS                  | JY-6351G-02-250                        | J1_2,J2_2,J3_2,J4_2,J5_2,J6_2,J7_2,J8_2   |
| 64  | HC00126  | balance MIC jack-RS          | JY-5042-030G female plug 180°          | J1_1,J2_1,J3_1,J4_1,J5_1,J6_1,J7_1,J8_1   |
| 65  | AC00179  | tin without lead             | M705E Sn 3Ag-0.5Cu                     |   |
| 66  | HK06607  | PC board                     | P-CYCLONE-MONO_PU-SMD                  |   |
| 67  | RD00088  | SMD fixed resistor 1/10W     | 2.2KΩ ±5% 0603                         | R1_2,R2_2,R3_2,R4_2,R5_2,R6_2,R7_2,R8_2   |
| 68  | RD00030  | SMD fixed resistor 1/8W      | 6.8KΩ ±5% 0805                         | R1_1,R1_3,R2_1,R2_3,R3_1,R3_3,R4_1,R4_3,R5_1,R5_3,R6_1,R6_3,R7_1,R7_3,R8_1,R8_3   |
| 69  | RD00214  | SMD precise resistor 1/10W   | 10.0KΩ ±1% 0603                        | R1_6,R1_7,R2_6,R2_7,R3_6,R3_7,R4_6,R4_7,R5_6,R5_7,R6_6,R6_7,R7_6,R7_7,R8_6,R8_7   |
| 70  | RD00224  | SMD precise resistor 1/10W   | 100KΩ ±1% 0603                         | R1_4,R1_5,R2_4,R2_5,R3_4,R3_5,R4_4,R4_5,R5_4,R5_5,R6_4,R6_5,R7_4,R7_5,R8_4,R8_5   |
| 71  | AE00449  | solder material without lead | 9308/Sn Ag Cu                          |   |
| 72  | HK06606  | PC board                     | P-CYCLONE-MONO_PU-AI                   |   |
| 73  | CB00194  | electrolytic capacitor       | 47uF/25V φ5*11mm                       | C1_3,C1_4,C1_5,C1_6,C2_3,C2_4,C2_5,C2_6,C3_3,C3_4,C3_5,C3_6,C4_3,C4_4,C4_5,C4_6,C5_3,C5_4,C5_5,C5_6,C6_3,C6_4,C6_5,C6_6,C7_3,C7_4,C7_5,C7_6,C8_3,C8_4,C8_5,C8_6 |
| 74  | CB00249  | electrolytic capacitor       | 47uF/50V φ6.3*11mm 2.5mm               | C1_1,C1_2,C2_1,C2_2,C3_1,C3_2,C4_1,C4_2,C5_1,C5_2,C6_1,C6_2,C7_1,C7_2,C8_1,C8_2   |
| 75  | AC00179  | tin without lead             | M705E Sn 3Ag-0.5Cu                     |   |
| 76  | HB01988  | PCB-RS                       | MONO_PU_VER051021                      |   |
| 77  | HK06707  | PC board                     | P-CYCLONE-MONO_BOARD-DIP               |   |
| 78  | RC00483  | potentiometer(dual unit)     | C50KΩ RD09K12CZ028-50K15C*2(SAS1);30F  | R1_50,R1_53,R2_50,R2_53,R3_50,R3_53,R4_50,R4_53,R5_50,R5_53,R6_50,R6_53,R7_50,R7_53,R8_50,R8_53   |
| 79  | RC00393  | slide potentiometer          | A10KΩ RFA0S11G6006-10KA(AA)            | R1_2,R2_2,R3_2,R4_2,R5_2,R6_2,R7_2,R8_2   |



| No. | Part No. | Description                | Specification                         | Remark  |
|-----|----------|----------------------------|---------------------------------------|---|
| 80  | RC00530  | potentiometer              | B20KΩ RD09K12CZ031-20K3Bx2(SAS);30F-C | R1_61,R1_62,R1_63,R1_64,R1_65,R1_66,R2_61,R2_62,R2_63,R2_64,R2_65,R2_66,R3_61,R3_62,R3_63,R3_64,R3_65,R3_66,R4_61,R4_62,R4_63,R4_64,R4_65,R4_66,R5_61,R5_62,R5_63,R5_64,R5_65,R5_66,R6_61,R6_62,R6_63,R6_64,R6_65,R6_66,R7_61,R7_62,R7_63,R7_64,R7_65,R7_66,R8_61,R8_62,R8_63,R8_64,R8_65,R8_66 |
| 81  | RC00429  | potentiometer              | B10KΩ RK09K113Z111-10K2B(SAS1);30F-C  | R1_1,R2_1,R3_1,R4_1,R5_1,R6_1,R7_1,R8_1   |
| 82  | RC00358  | potentiometer              | B50KΩ-RD09F113A223-50K2BT(SAS1);30F-C | R1_47,R1_49,R1_52,R1_55,R2_47,R2_49,R2_52,R2_55,R3_47,R3_49,R3_52,R3_55,R4_47,R4_49,R4_52,R4_55,R5_47,R5_49,R5_52,R5_55,R6_47,R6_49,R6_52,R6_55,R7_47,R7_49,R7_52,R7_55,R8_47,R8_49,R8_52,R8_55   |
| 83  | RC00356  | potentiometer              | Z10KΩ RD09F1130042-10KZ(SAS1);30F     | R1_56,R2_56,R3_56,R4_56,R5_56,R6_56,R7_56,R8_56   |
| 84  | SB00062  | transistor                 | BC337-25                              | Q1_1,Q3_1,Q5_1,Q7_1,Q8,Q18,Q19,Q20  |
| 85  | SA00052  | L.E.D                      | φ3 round(green)long foot 26           | D1_2,D2_2,D3_2,D4_2,D5_2,D6_2,D7_2,D8_2   |
| 86  | SA00053  | L.E.D                      | φ3 round(red)long foot 26mm           | D1_1,D1_5,D1_6,D1_7,D1_8,D2_1,D2_5,D2_6,D2_7,D2_8,D3_1,D3_5,D3_6,D3_7,D3_8,D4_1,D4_5,D4_6,D4_7,D4_8,D5_1,D5_5,D5_6,D5_7,D5_8,D6_1,D6_5,D6_6,D6_7,D6_8,D7_1,D7_5,D7_6,D7_7,D7_8,D8_1,D8_5,D8_6,D8_7,D8_8   |
| 87  | SA00071  | L.E.D                      | φ3 green LVG2340/A                    | D1_4,D2_4,D3_4,D4_4,D5_4,D6_4,D7_4,D8_4   |
| 88  | SA00072  | L.E.D                      | φ3 red LI2340/A                       | D1_3,D2_3,D3_3,D4_3,D5_3,D6_3,D7_3,D8_3   |
| 89  | NI01773  | LED spacer support         | LEDS-13                               |   |
| 90  | NI02384  | LED spacer support         | LEDS-4 4mm                            |   |
| 91  | HI00237  | push-button switch-RS      | 2stage 12P PS-13422R(SELF-LOCK)       | S1_1,S1_5,S2_1,S2_5,S3_1,S3_5,S4_1,S4_5,S5_1,S5_5,S6_1,S6_5,S7_1,S7_5,S8_1,S8_5   |
| 92  | HI00236  | push-button switch-RS      | 2-stage 6P PS-9226A(SELF-LOCK)        | S1_2,S1_3,S1_4,S1_6,S1_7,S1_8,S2_2,S2_3,S2_4,S2_6,S2_7,S2_8,S3_2,S3_3,S3_4,S3_6,S3_7,S3_8,S4_2,S4_3,S4_4,S4_6,S4_7,S4_8,S5_2,S5_3,S5_4,S5_6,S5_7,S5_8,S6_2,S6_3,S6_4,S6_6,S6_7,S6_8,S7_2,S7_3,S7_4,S7_6,S7_7,S7_8,S8_2,S8_3,S8_4,S8_6,S8_7,S8_8   |
| 93  | HC00626  | connector                  | 2.5 180° 1*15P B24-1*15BG1(A)H5       | H1_1,H2_1,H3_1,H4_1,H5_1,H6_1,H7_1,H8_1   |
| 94  | HC00339  | connect terminal           | 6.5m/m (PCF250)                       | J13   |
| 95  | HC00883  | connector(male)-RS         | 2P 2.0mm 180°(A2004WV-2*2P)           | J8  |
| 96  | HC00884  | connector(male)-RS         | 5P 2.0mm 180°(A2004WV-2*5P)           | J10   |
| 97  | HC00885  | connector(male)-RS         | 7P 2.0mm 180°(A2004WV-2*7P)           | J6  |
| 98  | HC00887  | connector(male)-RS         | 10P 2.0mm 180°(A2004WV-2*10P)         | J9  |
| 99  | HC00888  | connector(male)-RS         | 14P 2.0mm 180°(A2004WV-2*14P)         | J5  |
| 100 | HA04570  | wire-RS                    | 10P-10P 120mm UL2651 28AWG PH1.27mm   | J1_1,J2_1,J3_1,J4_1,J5_1,J6_1,J7_1,J8_1   |
| 101 | HK02084  | PC board                   | P-MONO_PRE_60dB_REV03-DIP             |   |
| 102 | HC00717  | connector                  | 2.54 180° 15P 16.5 2.5/5/9mm          | CON1  |
| 103 | HK02085  | PC board                   | P-MONO_PRE_60dB_REV03-SMD             |   |
| 104 | RD00116  | SMD fixed resistor 1/10W   | 100KΩ ±5% 0603                        | R33   |
| 105 | CI00075  | SMD ceramic capacitor 0603 | 0.1uF/50V Y5V +80,-20%                | C6,C7,C23,C24   |
| 106 | RD00101  | SMD fixed resistor 1/10W   | 10KΩ ±5% 0603                         | R24,R25,R27,R28   |
| 107 | RD00214  | SMD precise resistor 1/10W | 10.0KΩ ±1% 0603                       | R22,R23   |
| 108 | CI00071  | SMD ceramic capacitor 0603 | 0.01uF/50V X7R ±10%                   | C10,C11   |
| 109 | RD00201  | SMD precise resistor 1/10W | 1.50KΩ ±1% 0603                       | R31,R32   |
| 110 | CI00065  | SMD ceramic capacitor 0603 | 0.001uF/50V X7R ±10%                  | C16,C17   |

| No. | Part No. | Description                   | Specification                    | Remark   |
|-----|----------|-------------------------------|----------------------------------|--|
| 111 | RD00306  | SMD fixed resistor 1/10W      | 20KΩ ±5% 0603                    | R4,R5,R7   |
| 112 | RD00204  | SMD precise resistor 1/10W    | 2.49KΩ ±1% 0603                  | R9,R10,R11,R12,R13,R14,R15   |
| 113 | CI00062  | SMD ceramic capacitor 0603    | 330PF/50V NPO ±5 %               | C9   |
| 114 | SF00053  | transistor                    | MMBT3906(SOT-23)/(PHI)           | TR4,TR1,TR2,TR3  |
| 115 | RD00078  | SMD fixed resistor 1/10W      | 470Ω ±5% 0603                    | R16,R17  |
| 116 | RD00355  | SMD fixed resistor 1/10W      | 4.7Ω ±5% 0603                    | R3   |
| 117 | RD00210  | SMD precise resistor 1/10W    | 5.11KΩ ±1% 0603                  | R18,R19,R20,R21  |
| 118 | RD00097  | SMD fixed resistor 1/10W      | 6.8KΩ ±5% 0603                   | R29,R30  |
| 119 | SE00028  | SMD rectifier diode           | BAS316,115                       | D1   |
| 120 | HB01400  | PCB                           | MONO_PRE_60dB_ALTO_REV04         |  |
| 121 | AE00449  | solder material without lead  | 9308/Sn Ag Cu                    |  |
| 122 | SE00011  | SMD rectifier diode           | RLS4148 0.5A (LL-34)             | D2,D3,D4,D5  |
| 123 | RD00065  | SMD fixed resistor 1/10W      | 47Ω ±5% 0603                     | R1,R2  |
| 124 | CI00266  | SMD ceramic capacitor-RS 0603 | 22PF/50V NPO ±5 %                | C8,C12,C13,C14,C15   |
| 125 | SG00122  | SMD integrated circuit        | NJM4580M-TE3                     | U1,U2,U3   |
| 126 | SB00175  | transistor                    | 2SA970-BL(TE2;T)                 | TR5,TR6  |
| 127 | AC00179  | tin without lead              | M705E Sn 3Ag-0.5Cu               |  |
| 128 | ND00083  | EV foam                       | 10*25*5                          |  |
| 129 | MI02952  | fixed bracket                 | CYCLONE160 7*7.5*164 L type_V1.0 |  |
| 130 | MJ00061  | iron board                    | 1*2135*1220 20.45kg              |  |
| 131 | MG00199  | screw                         | M3*4                             |  |
| 132 | AC00179  | tin without lead              | M705E Sn 3Ag-0.5Cu               |  |
| 133 | HK06700  | PC board                      | P-CYCLONE-MONO_BOARD-SMD         |  |
| 134 | RD00006  | SMD fixed resistor 1/8W       | 100Ω ±5% 0805                    | R1_69,R3_69,R5_69,R7_69,R43,R64<br>0,R647,R648   |
| 135 | RD00068  | SMD fixed resistor 1/10W      | 100Ω ±5% 0603                    | R10,R633,R634,R635,R636,R637,R6<br>38,R639   |
| 136 | RD00079  | SMD fixed resistor 1/10W      | 560Ω ±5% 0603                    | R1_48,R1_75,R2_48,R2_75,R3_48,R3_75,R4_48,<br>R4_75,R5_48,R5_75,R6_48,R6_75,R7_48,R<br>7_75,R8_48,R8_75  |
| 137 | RD00083  | SMD fixed resistor 1/10W      | 1.0KΩ ±5% 0603                   | R454,R455,R456,R457,R458,R459,R460,<br>R461,R462,R463,R464,R465,R466,R467,<br>R468,R469,R470,R471,R472,R473,R474,<br>R475,R476,R477,R478,R479,R480,R481,<br>R482,R483,R484,R485  |
| 138 | RD00089  | SMD fixed resistor 1/10W      | 2.7KΩ ±5% 0603                   | R391,R392,R393,R394,R395,R396,R397,<br>R398,R399,R400,R401,R402,R403,R404,<br>R405,R406,R407,R408,R409,R410,R411,<br>R412,R413,R414,R415,R416,R417,R418,<br>R419,R420,R421,R422  |
| 139 | RD00093  | SMD fixed resistor 1/10W      | 4.7KΩ ±5% 0603                   | R1_10,R2_10,R3_10,R4_10,R5_10,R6_10,R7_10,<br>R8_10  |
| 140 | RD00094  | SMD fixed resistor 1/10W      | 5.1KΩ ±5% 0603                   | R1_12,R1_7,R1_8,R2_12,R2_7,R2_8,R3_12,R<br>3_7,R3_8,R4_12,R4_7,R4_8,R5_12,R5_7,R5_8<br>,R6_12,R6_7,R6_8,R7_12,R7_7,R7_8,R8_12,R<br>8_7,R8_8  |
| 141 | RD00095  | SMD fixed resistor 1/10W      | 5.6KΩ ±5% 0603                   | R29,R486,R487,R488,R489,R490,R491,R492,<br>R493,R494,R495,R496,R497,R498,R499,R500,<br>R501,R502,R503,R504,R505,R506,R507,R508,<br>R509,R510,R511,R512,R513,R514,R515,R516,<br>R517,R518,R519,R520,R521,R522,R523,R524,<br>R525,R526,R527,R528,R529,R530,R531,R532,<br>R533,R534,R535,R536,R537,R538,R539,R540,<br>R541,R542,R543,R544,R545,R546,R547,R644 |

| No. | Part No. | Description              | Specification  | Remark   |
|-----|----------|--------------------------|----------------|--|
| 142 | RD00099  | SMD fixed resistor 1/10W | 8.2KΩ ±5% 0603 | R16,R328,R329,R330,R331,R332,R333,R334,R335,R336,R337,R338,R339,R340,R341,R342,R343,R344,R345,R346,R347,R348,R349,R350,R351,R352,R353,R354,R355,R356,R357,R358,R359,R360,R361,R362,R363,R364,R365,R366,R367,R368,R369,R370,R371,R372,R373,R374,R375,R376,R377,R378,R379,R380,R381,R382,R383,R384,R385,R386,R387,R388,R389,R390   |
| 143 | RD00101  | SMD fixed resistor 1/10W | 10KΩ ±5% 0603  | R1_15,R1_16,R1_17,R1_18,R1_19,R1_20,R1_24,R1_25,R1_26,R1_27,R1_28,R1_29,R1_3,R1_32,R1_33,R1_34,R1_35,R1_36,R1_37,R1_4,R1_59,R1_60,R1_70,R1_71,R1_72,R1_73,R2_15,R2_16,R2_17,R2_18,R2_19,R2_20,R2_24,R2_25,R2_26,R2_27,R2_28,R2_29,R2_3,R2_32,R2_33,R2_34,R2_35,R2_36,R2_37,R2_4,R2_59,R2_60,R2_70,R2_71,R2_72,R2_73,R3_15,R3_16,R3_17,R3_18,R3_19,R3_20,R3_24,R3_25,R3_26,R3_27,R3_28,R3_29,R3_3,R3_32,R3_33,R3_34,R3_35,R3_36,R3_37,R3_4,R3_59,R3_60,R3_70,R3_71,R3_72,R3_73,R4_15,R4_16,R4_17,R4_18,R4_19,R4_20,R4_24,R4_25,R4_26,R4_27,R4_28,R4_29,R4_3,R4_32,R4_33,R4_34,R4_35,R4_36,R4_37,R4_4,R4_59,R4_60,R4_70,R4_71,R4_72,R4_73,R5_15,R5_16,R5_17,R5_18,R5_19,R5_20,R5_24,R5_25,R5_26,R5_27,R5_28,R5_29,R5_3,R5_32,R5_33,R5_34,R5_35,R5_36,R5_37,R5_4,R5_59,R5_60,R5_70,R5_71,R5_72,R5_73,R6_15,R6_16,R6_17,R6_18,R6_19,R6_20,R6_24,R6_25,R6_26,R6_27,R6_28,R6_29,R6_3,R6_32,R6_33,R6_34,R6_35,R6_36,R6_37,R6_4,R6_59,R6_60,R6_70,R6_71,R6_72,R6_73,R7_15,R7_16,R7_17,R7_18,R7_19,R7_20,R7_24,R7_25,R7_26,R7_27,R7_28,R7_29,R7_3,R7_32,R7_33,R7_34,R7_35,R7_36,R7_37,R7_4,R7_59,R7_60,R7_70,R7_71,R7_72,R7_73,R8,R8_15,R8_16,R8_17,R8_18,R8_19,R8_20,R8_24,R8_25,R8_26,R8_27,R8_28,R8_29,R8_3,R8_32,R8_33,R8_34,R8_35,R8_36,R8_37,R8_4,R8_59,R8_60,R8_70,R8_71,R8_72,R8_73,R9,R170,R177,R181,R182,R183,R187,R191,R192,R193,R197,R201,R202,R203,R207,R211,R212,R213,R217,R221,R222,R223,R227,R231,R232,R233,R237,R241,R242,R243 |
| 144 | RD00116  | SMD fixed resistor 1/10W | 100KΩ ±5% 0603 | R1,R1_13,R1_14,R1_22,R1_57,R1_58,R1_74,R1_76,R1_77,R1_78,R2_13,R2_14,R2_22,R2_57,R2_58,R2_74,R2_76,R2_77,R2_78,R3_13,R3_14,R3_22,R3_57,R3_58,R3_74,R3_76,R3_77,R3_78,R4_13,R4_14,R4_22,R4_57,R4_58,R4_74,R4_76,R4_77,R4_78,R5_13,R5_14,R5_22,R5_57,R5_58,R5_74,R5_76,R5_77,R5_78,R6,R6_13,R6_14,R6_22,R6_57,R6_58,R6_74,R6_76,R6_77,R6_78,R7_13,R7_14,R7_22,R7_57,R7_58,R7_74,R7_76,R7_77,R7_78,R8_13,R8_14,R8_22,R8_57,R8_58,R8_74,R8_76,R8_77,R8_78,R279,R280,R283,R284,R286,R287,R288,R290,R291,R293,R294,R295,R297,R298,R300,R301,R302,R304,R305,R307,R308,R309,R311,R312,R313,R314,R315,R317,R318,R320,R321,R322,R323,R324,R325,R326,R327   |
| 145 | RD00103  | SMD fixed resistor 1/10W | 15KΩ ±5% 0603  | R21,R564,R565,R566,R567,R568,R569,R645   |
| 146 | RD00306  | SMD fixed resistor 1/10W | 20KΩ ±5% 0603  | R1_23,R3_23,R5_23,R7_23,R44,R260,R261,R641   |
| 147 | RD00108  | SMD fixed resistor 1/10W | 33KΩ ±5% 0603  | R1_40,R1_51,R2_40,R2_51,R3_40,R3_51,R4_40,R4_51,R5_40,R5_51,R6_40,R6_51,R7_40,R7_51,R8_40,R8_51  |

| No. | Part No. | Description                  | Specification                        | Remark  |
|-----|----------|------------------------------|--------------------------------------|---|
| 148 | RD00102  | SMD fixed resistor 1/10W     | 12KΩ ±5% 0603                        | R1_6,R2_6,R3_6,R4_6,R5_6,R6_6,R7_6,R8_6   |
| 149 | RD00115  | SMD fixed resistor 1/10W     | 82KΩ ±5% 0603                        | R548,R549,R550,R551,R552,R553,R554,R555,R556,R557,R558,R559,R560,R561,R562,R563   |
| 150 | RD00118  | SMD fixed resistor 1/10W     | 150KΩ ±5% 0603                       | R28,R423,R424,R425,R426,R427,R428,R429,R430,R431,R432,R433,R434,R435,R436,R437  |
| 151 | CI00051  | SMD ceramic capacitor 0603   | 22PF/50V C0G±5%(C1608C0G1H220JT)/TDK | C1_21,C1_22,C1_23,C2_21,C2_22,C2_23,C3_21,C3_22,C3_23,C4_21,C4_22,C4_23,C5_21,C5_22,C5_23,C6_21,C6_22,C6_23,C7_21,C7_22,C7_23,C8_18,C8_22,C8_23,C47,C48,C49,C50,C55,C56,C57,C58,C63,C64,C65,C66,C71,C72,C73,C74,C79,C80,C81,C82,C87,C88,C89,C90,C95,C96,C97,C98,C103,C104,C105,C106   |
| 152 | CI00096  | SMD ceramic capacitor 0603   | 560PF/50V NPO ±5 %                   | C217,C218,C219,C220,C221,C222,C223,C224   |
| 153 | CI00069  | SMD ceramic capacitor 0603   | 0.0033uF/50V X7R ±10 %               | C201,C202,C203,C204,C205,C206,C207,C208,C209,C210,C211,C212,C213,C214,C215,C216   |
| 154 | CI00093  | SMD ceramic capacitor 0603   | 0.015uF/50V X7R ±10%                 | C177,C178,C179,C180,C181,C182,C183,C184,C185,C186,C187,C188,C189,C190,C191,C192,C193,C194,C195,C196,C197,C198,C199,C200   |
| 155 | CI00072  | SMD ceramic capacitor 0603   | 0.022uF/50V X7R ±10%                 | C225,C226,C227,C228,C229,C230,C231,C232   |
| 156 | CI00075  | SMD ceramic capacitor 0603   | 0.1uF/50V Y5V +80,-20%               | C1_13,C1_14,C1_15,C1_16,C2_13,C2_14,C2_15,C2_16,C3_13,C3_14,C3_15,C3_16,C4_4_13,C4_4_14,C4_4_15,C4_4_16,C5_13,C5_14,C5_15,C5_16,C6_13,C6_14,C6_15,C6_16,C7_13,C7_14,C7_15,C7_16,C8_13,C8_14,C8_15,C8_16,C117,C118,C123,C124,C129,C130,C135,C136,C139,C140,C141,C142,C143,C144,C147,C148,C153,C154,C159,C160,C165,C166,C169,C170,C171,C172,C173,C174,C175,C176,C233,C234,C235,C236,C237,C238,C239,C240,C241,C242,C243,C244,C245,C246,C247,C248,C249,C250,C251,C252,C253,C254,C255,C256,C257,C258,C259,C260,C261,C262,C263,C264,C265,C266,C267,C268,C269,C270,C271,C272,C273,C274,C275,C276,C277,C278,C279,C280 |
| 157 | SE00011  | SMD rectifier diode          | RLS4148 0.5A (LL-34)                 | D1_10,D1_9,D3_10,D3_9,D5_10,D5_9,D7_10,D7_9,D8,D27,D28,D29,D30,D31,D32  |
| 158 | SF00053  | transistor                   | MMBT3906(SOT-23)/(PHI)               | Q1_2,Q1_3,Q2_2,Q2_3,Q3_3,Q4_2,Q4_3,Q5_2,Q5_3,Q6_2,Q6_3,Q7_2,Q7_3,Q8_2,Q8_3  |
| 159 | SG00122  | SMD integrated circuit       | NJM4580M-TE3                         | U1_1,U1_2,U2_1,U2_2,U3_1,U3_2,U4,U4_1,U4_2,U5,U5_1,U5_2,U6,U6_1,U6_2,U7,U7_1,U7_2,U8,U8_1,U8_2,U9,U10,U11,U15,U16,U17,U18,U22,U23,U24,U25,U29,U30,U31,U32,U36,U37,U38,U39,U43,U44,U45,U46,U50,U51,U52,U53,U57,U58,U59,U60,U61,U62,U63,U64   |
| 160 | AE00449  | solder material without lead | 9308/Sn Ag Cu                        |   |
| 161 | HK06706  | PC board                     | P-CYCLONE-MONO_BOARD-AI              |   |
| 162 | CB00069  | electrolytic capacitor       | 1000uF/6.3V φ8*11mm                  | C1_18,C2_18,C3_18,C4_18,C5_18,C6_18,C7_18,C8_19   |
| 163 | CB00194  | electrolytic capacitor       | 47uF/25V φ5*11mm                     | C1_1,C1_2,C1_3,C1_6,C1_7,C1_8,C   |
| 164 | HA01933  | jump                         | 2.5mm                                | C1_10,C2_10,C3_10,C4_10,C5  |
| 165 | AC00179  | tin without lead             | M705E Sn 3Ag-0.5Cu                   |   |
| 166 | HB01993  | PCB-RS                       | MONO_BOARD_VER060215                 |   |
| 167 | HK06608  | PC board                     | P-CYCLONE-STEREO_PU-DIP              |   |
| 168 | HC00610  | connector(male)              | 10P 2.54mm 90°                       | J33,J34,J35,J36   |
| 169 | HC00371  | MIC jack                     | SCJ-0658-1-Y                         | J2,J3   |

| No. | Part No. | Description                  | Specification                        | Remark   |
|-----|----------|------------------------------|--------------------------------------|--|
| 170 | HC00125  | MIC jack-RS                  | JY-6351G-02-250                      | J9_2,J9_3,J10_2,J10_3,J11_2,J11_3,J12_2,J12_3,J5,J6,J7,J8,J9,J10,J11,J12,J15,J16,J17,J18,J20,J21,J22,J23,J24,J25,J26,J27   |
| 171 | HC00403  | RCA jack                     | SCP6873NS3232T2 4P                   | J19  |
| 172 | HC00339  | connect terminal             | 6.5m/m (PCF250)                      | J32  |
| 173 | HC00885  | connector(male)-RS           | 7P 2.0mm 180°(A2004WV-2*7P)          | J28,J29,J30  |
| 174 | HC00126  | balance MIC jack-RS          | JY-5042-030G female plug 180°        | J9_1,J10_1,J11_1,J12_1   |
| 175 | HC00392  | balance MIC jack-RS          | JY-5030-030G 180°                    | J1,J4  |
| 176 | AC00179  | tin without lead             | M705E Sn 3Ag-0.5Cu                   |  |
| 177 | HK06610  | PC board                     | P-CYCLONE-STEREO_PU-SMD              |  |
| 178 | RD00068  | SMD fixed resistor 1/10W     | 100Ω ±5% 0603                        | R17,R62,R64,R66,R68,R70,R72,R74,R76,R78,R80,R81,R85,R93,R94,R95,R97,R98,R99,R100,R101,R102,R103,R104,R105,R106,R107,R108   |
| 179 | RD00083  | SMD fixed resistor 1/10W     | 1.0KΩ ±5% 0603                       | R57,R60  |
| 180 | RD00088  | SMD fixed resistor 1/10W     | 2.2KΩ ±5% 0603                       | R9_2,R10_2,R11_2,R12_2   |
| 181 | RD00214  | SMD precise resistor 1/10W   | 10.0KΩ ±1% 0603                      | R5,R6,R7,R8,R9,R9_8,R9_9,R9_10,R9_11,R9_12,R9_13,R9_15,R9_16,R10,R10_8,R10_9,R10_10,R10_11,R10_12,R10_13,R10_15,R10_16,R11_8,R11_9,R11_10,R11_11,R11_12,R11_13,R11_15,R11_16,R12_8,R12_9,R12_10,R12_11,R12_12,R12_13,R12_15,R12_16,R13,R14,R15,R16,R18,R19,R20,R21,R22,R23,R25,R26,R27,R28,R29,R30,R31,R32,R33,R34,R35,R36,R37,R38,R40,R41,R45,R46,R47,R48,R49,R51,R59,R83,R84,R87,R88,R89,R90,R91,R92,R96 |
| 182 | RD00105  | SMD fixed resistor 1/10W     | 22KΩ ±5% 0603                        | R56,R58  |
| 183 | RD00116  | SMD fixed resistor 1/10W     | 100KΩ ±5% 0603                       | R1,R2,R3,R4,R11,R12,R24,R39,R42,R43,R44,R50,R52,R53,R54,R55,R61,R63,R65,R67,R69,R71,R73,R75,R77,R79,R82,R86  |
| 184 | RD00030  | SMD fixed resistor 1/8W      | 6.8KΩ ±5% 0805                       | R9_1,R9_3,R10_1,R10_3,R11_1,R11_3,R12_1,R12_3  |
| 185 | CI00051  | SMD ceramic capacitor 0603   | 22PF/50V C0G±5%(C1608C0G1H220JT)/TDK | C9,C9_9,C9_10,C9_11,C9_12,C10,C10_9,C10_10,C10_11,C10_12,C11,C11_9,C11_10,C11_11,C11_12,C12,C12_9,C12_10,C12_11,C12_12,C29,C30,C31,C32,C37,C38,C39,C40,C45,C46,C49,C50   |
| 186 | CI00053  | SMD ceramic capacitor 0603   | 33PF/50V C0G±5%(C1608C0G1H330JT)/TDK | C15,C16,C17,C18,C19,C58,C59,C64  |
| 187 | CI00075  | SMD ceramic capacitor 0603   | 0.1uF/50V Y5V +80,-20%               | C9_14,C9_17,C10_14,C10_17,C11_14,C11_17,C12_14,C12_17,C66,C68,C81,C82,C83,C84,C85,C86,C87,C88  |
| 188 | SG00122  | SMD integrated circuit       | NJM4580M-TE3                         | U1,U2,U4,U5,U6,U7,U9_2,U10_2,U11_2,U12_2   |
| 189 | AE00449  | solder material without lead | 9308/Sn Ag Cu                        | C42,C44,C46,C47  |
| 190 | HK06609  | PC board                     | P-CYCLONE-STEREO_PU-AI               |  |
| 191 | CB00194  | electrolytic capacitor       | 47uF/25V φ5*11mm                     | C9_5,C9_6,C9_7,C9_8,C10_5,C10_6,C10_7,C10_8,C11_5,C11_6,C11_7,C11_8,C12_5,C12_6,C12_7,C12_8,C1,C2,C3,C4,C5,C6,C7,C8,C13,C14,C20,C21,C22,C23,C24,C25,C26,C27,C28,C33,C34,C35,C36,C41,C42,C43,C44,C47,C48,C51,C52,C53,C54,C55,C56,C57,C60,C61,C62,C63,C65,C67,C69,C71,C73,C75,C77,C79  |
| 192 | CB00249  | electrolytic capacitor       | 47uF/50V φ6.3*11mm 2.5mm             | C9_1,C9_2,C10_1,C10_2,C11_1,C11_2,C12_1,C12_2  |
| 193 | AC00179  | tin without lead             | M705E Sn 3Ag-0.5Cu                   |  |
| 194 | HB01994  | PCB-RS                       | STEREO_PU_VER060215                  |  |

| No. | Part No. | Description                   | Specification                           | Remark   |
|-----|----------|-------------------------------|---|--|
| 195 | HK06709  | PC board                      | P-CYCLONE-STEREO_BOARD-DIP              |  |
| 196 | SD00007  | integrated circuit            | BA15218N (M5218L substitute)            | U11,U29  |
| 197 | SB00175  | transistor                    | 2SA970-BL(TE2;T)                        | Q8,Q9  |
| 198 | SB00062  | transistor                    | BC337-25                                | Q1,Q2,Q3,Q9_1,Q10,Q11,Q13_1  |
| 199 | SA00052  | L.E.D                         | φ3 round(green)long foot 26             | D9_2,D11_2,D13_2,D15_2,D13,D14,<br>D21,D22,D23,D24,D40,D41,D43,D57,<br>D58,D78,D79,D80,D81,D82,D83   |
| 200 | SA00053  | L.E.D                         | φ3 round(red)long foot 26mm             | D9_1,D9_7,D9_8,D9_9,D9_10,D9_11,D11<br>_1,D11_7,D11_8,D11_9,D11_10,D11_11,<br>D13_1,D13_7,D13_8,D13_9,D13_10,D13<br>_11,D15_1,D15_7,D15_8,D15_9,D15_10,D<br>15_11,D55,D59  |
| 201 | SA00201  | L.E.D                         | φ5 red(LI3330/A)                        | D47  |
| 202 | SA00054  | L.E.D                         | 3m/m round(yellow)long foot 26          | D12,D20,D31,D32,D35,D36,D60,D61,<br>D72,D73,D74,D75  |
| 203 | SA00071  | L.E.D                         | φ3 green LVG2340/A                      | D1,D2,D3,D4,D29,D30,D34,D38,D45,<br>D9_4,D11_4,D13_4,D15_4   |
| 204 | SA00072  | L.E.D                         | φ3 red LI2340/A                         | D9_3,D11_3,D13_3,D15_3,D25,D26,<br>D33,D37,D44   |
| 205 | NI01773  | LED spacer support            | LEDS-13                                 |  |
| 206 | NI02384  | LED spacer support            | LEDS-4 4mm                              |  |
| 207 | NI01765  | LED spacer support            | LEDS-10 10mm                            |  |
| 208 | RC00393  | slide potentiometer           | A10KΩ RFA0S11G6006-10KA(AA)             | R1,R2,R3,R4  |
| 209 | RC00395  | slide potentiometer-dual unit | A10K RFA0N12G6501-10KAx2(AA)            | R9_110,R11_110,R13_110,R15_110,R53   |
| 210 | RC00429  | potentiometer                 | B10KΩ RK09K113Z111-10K2B(SAS1);30F-C    | R9_109,R11_109,R13_109,R15_109,<br>R408,R410,R412,R434   |
| 211 | RC00428  | potentiometer                 | B20KΩ RK09K113Z115-20K2B(SAS1);30F-C    | R186,R187,R208,R209,R220,R221  |
| 212 | RC00530  | potentiometer                 | B20KΩ RD09K12CZ031-20K3Bx2(SAS);30F-C   | R9_26,R9_29,R9_32,R9_35,R9_38,R9_44<br>,R11_26,R11_29,R11_32,R11_35,R11_38<br>,R11_44,R13_26,R13_29,R13_32,R13_35<br>,R13_38,R13_44,R15_26,R15_29,R15_32<br>,R15_35,R15_38,R15_44,R132,R323,R32<br>7,R331,R334,R344,R348,R352,R355,R36<br>5,R369,R373,R376,R386,R390,R394,R39<br>7,R407,R409,R411,R413,R693,R694,R69<br>5,R696,R697,R698,R699,R700 |
| 213 | RC00358  | potentiometer                 | B50KΩ-RD09F113A223-50K2BT(SAS1);30F-C   | R151   |
| 214 | RC00360  | potentiometer                 | B50KΩ RD12L12CA23A-50K3BT*2(SAS1);30F-C | R9_7,R9_20,R9_21,R9_22,R9_23,R11_7,<br>R11_20,R11_21,R11_22,R11_23,R13_7,R<br>13_20,R13_21,R13_22,R13_23,R15_7,R1<br>5_20,R15_21,R15_22,R15_23,R246,R247   |
| 215 | RC00356  | potentiometer                 | Z10KΩ RD09F1130042-10KZ(SAS1);30F       | R9_1,R11_1,R13_1,R15_1   |
| 216 | HC00626  | connector                     | 2.5 180° 1*15P B24-1*15BG1(A)H5         | H9_1,H11_1,H13_1,H15_1   |
| 217 | HC00339  | connect terminal              | 6.5m/m (PCF250)                         | J21  |
| 218 | HI00237  | push-button switch-RS         | 2stage 12P PS-13422R(SELF-LOCK)         | S1,S3,S6,S9,S11,S13,S16,S20,S21,S22,S<br>23,S24,S25,S26,S27,S28,S29,S30,S31,S3<br>5,S36,S39,S40,S41,S46,S56,S9_5,S9_6,S<br>9_9,S11_5,S11_6,S11_9,S13_5,S13_6,S1<br>3_9,S15_5,S15_6,S15_9   |
| 219 | HI00236  | push-button switch-RS         | 2-stage 6P PS-9226A(SELF-LOCK)          | S2,S4,S5,S7,S8,S10,S12,S14,S15,S17,S1<br>8,S19,S32,S33,S34,S37,S38,S57,S58,S9_<br>1,S9_10,S9_2,S9_3,S9_4,S9_7,S11_1,S1<br>1_10,S11_2,S11_3,S11_4,S11_7,S13_1,S<br>13_10,S13_2,S13_3,S13_4,S13_7,S15_1,<br>S15_10,S15_2,S15_3,S15_4,S15_7   |

| No. | Part No. | Description                   | Specification                       | Remark                     |
|-----|----------|-------------------------------|-------------------------------------|----------------------------|
| 220 | HC00077  | connector(male)               | 3P 2.5mm 180°                       | J2                         |
| 221 | HC00254  | connector(male)               | 3P 2.0mm 180°                       | J3                         |
| 222 | HC00256  | connector(male)               | 5P 2.0mm 180°                       | J10                        |
| 223 | HC00259  | connector(male)               | 8P 2.0mm 180°                       | J22,J23                    |
| 224 | HC00397  | connector(male)               | 10P 2.0mm 180°                      | J14                        |
| 225 | HC00321  | connector(male)               | 14P 2.0mm 180°                      | J5                         |
| 226 | HC00883  | connector(male)-RS            | 2P 2.0mm 180°(A2004WV-2*2P)         | J6                         |
| 227 | HC00885  | connector(male)-RS            | 7P 2.0mm 180°(A2004WV-2*7P)         | J4,J7,J8,J16               |
| 228 | HC00886  | connector(male)-RS            | 8P 2.0mm 180°(A2004WV-2*8P)         | J24                        |
| 229 | HA04569  | wire-RS                       | 10P-10P 140mm UL2651 28AWG PH1.27mm | J9,J11,J13,J15             |
| 230 | HA00392  | wire                          | 270mm black L5R5                    | JUMP                       |
| 231 | HK02084  | PC board                      | P-MONO_PRE_60dB_REV03-DIP           | CN3                        |
| 232 | HC00717  | connector                     | 2.54 180° 15P 16.5 2.5/5/9mm        | CON1                       |
| 233 | HK02085  | PC board                      | P-MONO_PRE_60dB_REV03-SMD           | CN1                        |
| 234 | RD00116  | SMD fixed resistor 1/10W      | 100KΩ ±5% 0603                      | R33                        |
| 235 | CI00075  | SMD ceramic capacitor 0603    | 0.1uF/50V Y5V +80,-20%              | C6,C7,C23,C24              |
| 236 | RD00101  | SMD fixed resistor 1/10W      | 10KΩ ±5% 0603                       | R24,R25,R27,R28            |
| 237 | RD00214  | SMD precise resistor 1/10W    | 10.0KΩ ±1% 0603                     | R22,R23                    |
| 238 | CI00071  | SMD ceramic capacitor 0603    | 0.01uF/50V X7R ±10%                 | C10,C11                    |
| 239 | RD00201  | SMD precise resistor 1/10W    | 1.50KΩ ±1% 0603                     | R31,R32                    |
| 240 | CI00065  | SMD ceramic capacitor 0603    | 0.001uF/50V X7R ±10%                | C16,C17                    |
| 241 | RD00306  | SMD fixed resistor 1/10W      | 20KΩ ±5% 0603                       | R4,R5,R7                   |
| 242 | RD00204  | SMD precise resistor 1/10W    | 2.49KΩ ±1% 0603                     | R9,R10,R11,R12,R13,R14,R15 |
| 243 | CI00062  | SMD ceramic capacitor 0603    | 330PF/50V NPO ±5 %                  | C9                         |
| 244 | SF00053  | transistor                    | MMBT3906(SOT-23)/(PHI)              | TR4,TR1,TR2,TR3            |
| 245 | RD00078  | SMD fixed resistor 1/10W      | 470Ω ±5% 0603                       | R16,R17                    |
| 246 | RD00355  | SMD fixed resistor 1/10W      | 4.7Ω ±5% 0603                       | R3                         |
| 247 | RD00210  | SMD precise resistor 1/10W    | 5.11KΩ ±1% 0603                     | R18,R19,R20,R21            |
| 248 | RD00097  | SMD fixed resistor 1/10W      | 6.8KΩ ±5% 0603                      | R29,R30                    |
| 249 | SE00028  | SMD rectifier diode           | BAS316,115                          | D1                         |
| 250 | HB01400  | PCB                           | MONO_PRE_60dB_ALTO_REV04            |                            |
| 251 | AE00449  | solder material without lead  | 9308/Sn Ag Cu                       |                            |
| 252 | SE00011  | SMD rectifier diode           | RLS4148 0.5A (LL-34)                | D2,D3,D4,D5                |
| 253 | RD00065  | SMD fixed resistor 1/10W      | 47Ω ±5% 0603                        | R1,R2                      |
| 254 | CI00266  | SMD ceramic capacitor-RS 0603 | 22PF/50V NPO ±5 %                   | C8,C12,C13,C14,C15         |
| 255 | SG00122  | SMD integrated circuit        | NJM4580M-TE3                        | U1,U2,U3                   |
| 256 | SB00175  | transistor                    | 2SA970-BL(TE2;T)                    | TR5,TR6                    |
| 257 | AC00179  | tin without lead              | M705E Sn 3Ag-0.5Cu                  | U8,U9                      |
| 258 | ND00083  | EV foam                       | 10*25*5                             |                            |
| 259 | MI02953  | fixed bracket                 | CYCLONE160 7*7.5*173 L type_V1.0    |                            |
| 260 | MJ00061  | iron board                    | 1*2135*1220 20.45kg                 |                            |
| 261 | MG00199  | screw                         | M3*4                                |                            |

| No. | Part No. | Description              | Specification              | Remark  |
|-----|----------|--------------------------|----------------------------|---|
| 262 | AC00179  | tin without lead         | M705E Sn 3Ag-0.5Cu         |   |
| 263 | HK06701  | PC board                 | P-CYCLONE-STEREO_BOARD-SMD | C151,C152,C153,C154   |
| 264 | RD00059  | SMD fixed resistor 1/10W | 0.0Ω ±5% 0603              | R7,R8,R9  |
| 265 | RD00006  | SMD fixed resistor 1/8W  | 100Ω ±5% 0805              | R9_41,R13_41,R77,R81,R638,R640,R688   |
| 266 | RD00068  | SMD fixed resistor 1/10W | 100Ω ±5% 0603              | R54,R88,R501,R543,R544,R545   |
| 267 | RD00069  | SMD fixed resistor 1/10W | 120Ω ±5% 0603              | R678,R679   |
| 268 | RD00078  | SMD fixed resistor 1/10W | 470Ω ±5% 0603              | R78,R79,R82,R83,R90,R91   |
| 269 | RD00080  | SMD fixed resistor 1/10W | 680Ω ±5% 0603              | R682,R683   |
| 270 | RD00082  | SMD fixed resistor 1/10W | 820Ω ±5% 0603              | R672,R673   |
| 271 | RD00083  | SMD fixed resistor 1/10W | 1.0KΩ ±5% 0603             | R159,R161,R167  |
| 272 | RD00084  | SMD fixed resistor 1/10W | 1.2KΩ ±5% 0603             | R680,R681   |
| 273 | RD00086  | SMD fixed resistor 1/10W | 1.8KΩ ±5% 0603             | R556,R557,R558,R559,R560,R561,R562,R563,<br>R564,R565,R566,R567,R568,R569,R570,R571,<br>R572,R573,R574,R575,R576,R577   |
| 274 | RD00088  | SMD fixed resistor 1/10W | 2.2KΩ ±5% 0603             | R667,R668   |
| 275 | RD00089  | SMD fixed resistor 1/10W | 2.7KΩ ±5% 0603             | R9_18,R9_9,R11_18,R11_9,R13_18,R13_9,<br>R15_18,R15_9   |
| 276 | RD00090  | SMD fixed resistor 1/10W | 3.0KΩ ±5% 0603             | R174,R175,R177,R178,R180,R183   |
| 277 | RD00091  | SMD fixed resistor 1/10W | 3.3KΩ ±5% 0603             | R684,R685   |
| 278 | RD00093  | SMD fixed resistor 1/10W | 4.7KΩ ±5% 0603             | R9_113,R9_115,R9_131,R9_134,R11_113,<br>R11_115,R11_131,R11_134,R13_113,R13_115,<br>R13_131,R13_134,R15_113,R15_115,<br>R15_131,R15_134,R84,R95,R131,R232,<br>R249,R297,R300,R303,R306,R309,R312,<br>R315,R318,R335,R343,R358,R364,R379,<br>R385,R389,R393,R438 |
| 279 | RD00094  | SMD fixed resistor 1/10W | 5.1KΩ ±5% 0603             | R9_117,R9_132,R11_117,R11_132,R13_117,<br>R13_132,R15_117,R15_132,R60,R67,R70,<br>R72,R75,R100,R104,R111,R120,R127,<br>R130,R340,R361,R382,R403,R416,R418,<br>R422,R425,R428,R55,R57  |
| 280 | RD00096  | SMD fixed resistor 1/10W | 6.2KΩ ±5% 0603             | R13,R24,R37,R47   |
| 281 | RD00097  | SMD fixed resistor 1/10W | 6.8KΩ ±5% 0603             | R153,R154,R298,R299,R301,R302,R304,<br>R305,R307,R308,R310,R311,R313,R314,<br>R316,R317,R319,R320   |
| 282 | RD00102  | SMD fixed resistor 1/10W | 12KΩ ±5% 0603              | R149,R181,R182  |
| 283 | RD00103  | SMD fixed resistor 1/10W | 15KΩ ±5% 0603              | R595,R596,R597,R598,R599,R600,R601,<br>R602,R603,R604,R605,R606,R607,R608,<br>R609,R610,R611,R612   |
| 284 | RD00306  | SMD fixed resistor 1/10W | 20KΩ ±5% 0603              | R9_48,R13_47,R59,R68,R76,R80,R98,R128,<br>R260,R266,R267,R268,R269,R278,R281,<br>R282,R283,R286,R287,R288,R423,R475,<br>R476,R637,R686,R687   |
| 285 | RD00105  | SMD fixed resistor 1/10W | 22KΩ ±5% 0603              | R150,R179   |
| 286 | RD00106  | SMD fixed resistor 1/10W | 27KΩ ±5% 0603              | R9_16,R9_17,R9_6,R9_8,R11_16,R11_17,<br>R11_6,R11_8,R13_16,R13_17,R13_6,R13_8,<br>R15_16,R15_17,R15_6,R15_8   |
| 287 | RD00107  | SMD fixed resistor 1/10W | 30KΩ ±5% 0603              | R326,R330,R347,R351,R368,R372,R398,<br>R406,R465,R470,R473,R477,R478,R481,<br>R483,R484,R486,R488,R489,R649,R650,<br>R651,R652,R653   |
| 288 | RD00108  | SMD fixed resistor 1/10W | 33KΩ ±5% 0603              | R664,R666   |
| 289 | RD00109  | SMD fixed resistor 1/10W | 39KΩ ±5% 0603              | R629,R630,R631,R632,R633,R634,R635,<br>R636   |



| No. | Part No. | Description                | Specification     | Remark  |
|-----|----------|----------------------------|-------------------|---|
| 290 | RD00101  | SMD fixed resistor 1/10W   | 10KΩ ±5% 0603     | R5,R6,R9_11,R9_112,R9_119,R9_120,R9_121,R9_122,R9_123,R9_124,R9_125,R9_126,R9_127,R9_128,R9_133,R9_2,R9_27,R9_28,R9_30,R9_31,R9_33,R9_34,R9_36,R9_37,R9_39,R9_40,R9_42,R9_43,R9_60,R9_65,R9_68,R9_69,R9_79,R9_82,R11,R11_11,R11_112,R11_119,R11_120,R11_121,R11_122,R11_123,R11_124,R11_125,R11_126,R11_127,R11_128,R11_133,R11_2,R11_27,R11_28,R11_30,R11_31,R11_33,R11_34,R11_36,R11_37,R11_39,R11_40,R11_42,R11_43,R11_60,R11_65,R11_68,R11_69,R11_79,R11_82,R13_11,R13_112,R13_119,R13_120,R13_121,R13_122,R13_123,R13_124,R13_125,R13_126,R13_127,R13_128,R13_133,R13_2,R13_27,R13_28,R13_30,R13_31,R13_33,R13_34,R13_36,R13_37,R13_39,R13_40,R13_42,R13_43,R13_60,R13_65,R13_68,R13_69,R13_79,R13_82,R15,R15_11,R15_12,R15_119,R15_120,R15_121,R15_122,R15_123,R15_124,R15_125,R15_126,R15_127,R15_128,R15_133,R15_2,R15_27,R15_28,R15_30,R15_31,R15_33,R15_34,R15_36,R15_37,R15_39,R15_40,R15_42,R15_43,R15_60,R15_65,R15_68,R15_69,R15_79,R15_82,R18,R22,R25,R26,R29,R30,R35,R39,R42,R46,R49,R50,R61,R64,R65,R69,R71,R74,R85,R94,R99,R102,R103,R110,R112,R114,R124,R125,R129,R133,R134,R135,R136,R137,R138,R139,R140,R141,R142,R143,R144,R152,R157,R158,R163,R164,R165,R170,R184,R223,R224,R229,R231,R234,R248,R324,R325,R328,R329,R332,R333,R336,R337,R338,R339,R341,R342,R345,R346,R349,R350,R353,R354,R356,R357,R359,R360,R362,R363,R366,R367,R370,R371,R374,R375,R377,R378,R380,R381,R383,R384,R387,R388,R391,R392,R3,R450,R451,R452,R453,R454,R455,R456,R457,R458,R459,R460,R461,R462,R463,R464,R466,R467,R468,R469,R471,R472,R474,R479,R480,R482,R485,R487,R490,R491,R493,R494,R495,R496,R502,R503,R504,R505,R506,R507,R508,R509,R510,R511,R512,R513,R514,R515,R654,R655,R663,R665,R669,R670,R671,R674,R675,R676,R677,R690,R691,R692,R701,R702,R703,R704,R705,R706,R707,R708,R709,R710,R711,R712,R713,R714,R396,R399,R400,R401,R402,R404,R405,R414,R415,R417,R420,R421,R424,R426,R427,R446,R447,R448,R449 |
| 291 | RD00118  | SMD fixed resistor 1/10W   | 150KΩ ±5% 0603    | R656,R657   |
| 292 | RD00119  | SMD fixed resistor 1/10W   | 220KΩ ±5% 0603    | R578,R579,R580,R581,R582,R583,R584,R585,R586,R587,R588,R589,R590,R591,R592,R593,R594  |
| 293 | RD00124  | SMD fixed resistor 1/10W   | 820KΩ ±5% 0603    | R659,R660,R661,R662   |
| 294 | RD00125  | SMD fixed resistor 1/10W   | 1.0MΩ ±5% 0603    | R613,R614,R615,R616,R617,R618,R619,R620,R621,R622,R623,R624,R625,R626,R627,R628   |
| 295 | CI00059  | SMD ceramic capacitor 0603 | 100PF/50V NPO ±5% | C59,C61,C92,C96,C149  |

| No. | Part No. | Description                | Specification                              | Remark   |
|-----|----------|----------------------------|--|--|
| 296 | RD00116  | SMD fixed resistor 1/10W   | 100K $\Omega$ $\pm$ 5% 0603                | R9_10,R9_106,R9_108,R9_118,R9_135,R9_139,R9_143,R9_15,R9_19,R9_24,R9_25,R9_3,R9_4,R9_45,R9_46,R9_47,R9_5,R10,R11_10,R11_106,R11_108,R11_118,R11_135,R11_139,R11_143,R11_15,R11_19,R11_24,R11_25,R11_3,R11_4,R11_41,R11_46,R11_47,R11_48,R11_5,R12,R13_10,R13_106,R13_108,R13_118,R13_135,R13_139,R13_143,R13_15,R13_24,R13_25,R13_3,R13_4,R13_45,R13_46,R13_48,R13_5,R14,R15_10,R15_106,R15_108,R15_118,R15_135,R15_139,R15_143,R15_15,R15_19,R15_24,R15_25,R15_3,R15_4,R15_41,R15_45,R15_46,R15_5,R16,R17,R19,R34,R41,R62,R73,R86,R87,R89,R93,R101,R113,R122,R147,R148,R168,R173,R185,R270,R271,R272,R273,R274,R275,R276,R277,R279,R280,R284,R285,R419,R429,R433,R492,R497,R498,R499,R500,R520,R521,R522,R523,R524,R525,R526,R527,R528,R529,R530,R531,R532,R533,R534,R639,R641,R642,R643,R644,R645,R646 |
| 297 | CI00051  | SMD ceramic capacitor 0603 | 22PF/50V C0G $\pm$ 5%(C1608C0G1H220JT)/TDK | C3,C4,C8,C9,C9_10,C9_2,C9_20,C9_42,C11_10,C11_4,C13_10,C13_4,C15_10,C15_4,C152,C155,C156,C157,C158,C159,C160,C161,C162,C163,C164,C165,C166,C167,C168,C169,C170,C171,C172,C173,C174,C175,C176,C177,C178,C179,C180,C181,C182,C183,C184,C185,C186,C187,C188,C189,C190,C191,C192,C193,C9_32,C9_41,C11_16,C11_2,C11_20,C11_32,C13,C13_16,C13_2,C13_20,C13_32,C14,C15_16,C15_2,C15_20,C15_32,C19,C52,C53,C57,C58,C98,C99,C101,C102,C105,C107,C108,C118,C146,C148,C198,C199,C200,C201,C202,C203,C204,C205,C206,C207,C208,C209,C210,C211,C404  |
| 298 | CI00067  | SMD ceramic capacitor 0603 | 0.0022uF/50V X7R $\pm$ 10%                 | C290,C291,C292,C293,C294,C295,C296,C297  |
| 299 | CI00069  | SMD ceramic capacitor 0603 | 0.0033uF/50V X7R $\pm$ 10 %                | C322,C323,C324,C325,C326,C327,C328,C329,C330,C331,C332,C333,C334,C335,C336,C337  |
| 300 | CI00071  | SMD ceramic capacitor 0603 | 0.01uF/50V X7R $\pm$ 10%                   | C40,C45,C48,C49,C50,C51,C54  |
| 301 | CI00093  | SMD ceramic capacitor 0603 | 0.015uF/50V X7R $\pm$ 10%                  | C298,C299,C300,C301,C302,C303,C304,C305,C306,C307,C308,C309,C310,C311,C312,C313  |
| 302 | CI00073  | SMD ceramic capacitor 0603 | 0.033uF/50V X7R $\pm$ 10%                  | C314,C315,C316,C317,C318,C319,C320,C321  |
| 303 | SE00011  | SMD rectifier diode        | RLS4148 0.5A (LL-34)                       | D5,D6,D7,D8,D9,D10,D11,D15,D16,D17,D18,D19,D27,D28,D39,D42,D46,D48,D49,D50,D51,D52,D53,D54,D56,D66,D67,D68,D69,D70,D71,D76,D77,D84,D85,D86,D87,D88,D89,D90,D91,D9_5,D9_6,D13_5,D13_6   |

| No. | Part No. | Description                  | Specification               | Remark  |
|-----|----------|------------------------------|-----------------------------|---|
| 304 | CI00075  | SMD ceramic capacitor 0603   | 0.1uF/50V Y5V +80,-20%      | C9_22,C9_23,C9_24,C9_25,C9_28,C9_29,C9_39,C9_40,C11_22,C11_23,C11_24,C11_25,C11_28,C11_29,C11_39,C11_40,C13_22,C13_23,C13_24,C13_25,C13_28,C13_29,C13_39,C13_40,C15_22,C15_23,C15_24,C15_25,C15_28,C15_29,C15_39,C15_40,C29,C30,C31,C32,C33,C34,C35,C36,C41,C42,C63,C65,C68,C71,C113,C114,C115,C116,C117,C119,C120,C121,C122,C123,C124,C125,C127,C128,C129,C130,C135,C136,C137,C138,C139,C140,C141,C142,C143,C144,C151,C153,C154,C228,C229,C230,C231,C232,C233,C234,C235,C236,C237,C238,C239,C240,C241,C242,C243,C244,C245,C246,C247,C248,C249,C250,C251,C252,C253,C254,C255,C256,C257,C258,C259,C260,C261,C479,C480,C481,C482,C483,C484,C485,C486,C487,C488,C489,C490,C491,C492,C493,C494,C495,C496,C497,C498,C499,C500,C501,C502,C503 |
| 305 | SG00122  | SMD integrated circuit       | NJM4580M-TE3                | U1,U2,U3,U4,U5,U6,U7,U8,U9,U9_1,U9_3,U9_4,U9_5,U11_1,U11_3,U11_4,U11_5,U13_1,U13_3,U13_4,U13_5,U14,U15_1,U15_3,U15_4,U15_5,U16,U17,U18,U19,U20,U21,U22,U23,U25,U26,U27,U28,U30,U31,U32,U33,U34,U35,U36,U49,U50,U51,U52,U53,U54,U55,U56,U57,U58,U59,U60,U61,U62,U63,U64,U65,U66,U67,U68,U69,U75,U76  |
| 306 | SF00051  | transistor                   | SST176(S6)(SOT-23)/(VISHAY) | Q4,Q5,Q6,Q7   |
| 307 | SF00053  | transistor                   | MMBT3906(SOT-23)/(PHI)      | Q9_2,Q9_3,Q9_4,Q11_2,Q11_3,Q13_2,Q13_3,Q15_2,Q15_3  |
| 308 | SG00116  | SMD integrated circuit       | BA1033FV E2                 | U70,U71,U73,U74   |
| 309 | AE00449  | solder material without lead | 9308/Sn Ag Cu               |   |
| 310 | RD00268  | SMD fixed resistor 1/10W     | 300KΩ ±5% 0603              | R658  |
| 311 | RD00111  | SMD fixed resistor 1/10W     | 47KΩ ±5% 0603               | R251,R253   |
| 312 | RD00445  | SMD precise resistor 1/10W   | 2.43KΩ ±1% 0603             | R233,R222   |
| 313 | RD00095  | SMD fixed resistor 1/10W     | 5.6KΩ ±5% 0603              | R172  |
| 314 | HK06708  | PC board                     | P-CYCLONE-STEREO_BOARD-AI   |   |
| 315 | CB00011  | electrolytic capacitor       | 2.2uF/50V φ5*11mm           | C69,C73   |
| 316 | CB00165  | electrolytic capacitor       | 10uF/16V φ4*5mm             | C66,C72   |
| 317 | CB00025  | electrolytic capacitor       | 10uF/50V φ6*7mm             | C93,C95   |
| 318 | CB00194  | electrolytic capacitor       | 47uF/25V φ5*11mm            | C1,C2,C5,C6,C7,C10,C11,C12,C15,C16,C17,C18,C20,C22,C24,C25,C26,C47,C55,C60,C62,C64,C67,C70,C82,C84,C86,C87,C88,C89,C94,C145,C147,C270,C271,C272,C273,C274,C275,C276,C277,C280,C281,C282,C283,C284,C285,C286,C287,C288,C289,C339,C340,C346,C347,C350,C351,C354,C355,C510,C511,C512,C9_1,C9_3,C9_4,C9_6,C9_8,C9_12,C9_13,C9_14,C9_15,C9_21,C9_33,C9_34,C9_35,C9_43,C9_44,C11_1,C11_3,C11_6,C11_8,C11_12,C11_13,C11_14,C11_15,C11_17,C11_18,C11_21,C11_30,C11_33,C11_34,C11_35,C13_1,C13_3,C13_6,C13_8,C13_12,C13_13,C13_14,C13_15,C13_17,C13_19,C13_21,C13_30,C13_33,C13_34,C13_35,C15_1,C15_3,C15_6,C15_8,C15_12,C15_13,C15_14,C15_15,C15_17,C15_19,C15_21,C15_30,C15_33,C15_34,C15_35   |
| 319 | CB00166  | electrolytic capacitor       | 100uF/16V φ6*5mm            | C9_5,C9_11,C11_5,C11_11,C13_5,C13_11,C15_5,C15_11,C46,C338  |
| 320 | CB00069  | electrolytic capacitor       | 1000uF/6.3V φ8*11mm         | C9_7,C11_7,C13_7,C15_7  |
| 321 | RA00184  | fixed resistor 1/4W          | 100Ω M type                 | R58,R225,R228,R235,R239,R689  |
| 322 | RA00136  | fixed resistor 1/2W          | 2.2KΩ M type                | R256,R257   |

| No. | Part No. | Description         | Specification                          | Remark  |
|-----|----------|---------------------|--|---|
| 323 | RA00140  | fixed resistor 1/2W | 4.7KΩ M type                           | R259  |
| 324 | RA00242  | fixed resistor 1/4W | 10KΩ M type                            | R192,R193,R195,R196,R202,R203,R205,R206,R212,R213,R215,R216 |
| 325 | HA01933  | jump                | 2.5mm                                  | C9_18,C11_19,C13_18,C15_18,C100,C103,C106,C109              |
| 326 | AC00179  | tin without lead    | M705E Sn 3Ag-0.5Cu                     |   |
| 327 | HB01995  | PCB-RS              | STEREO_BOARD-VER060217                 |   |
| 328 | HK06710  | K-PC BOARD          | P-CYCLONE-LIGHT CONNECTOR              |   |
| 329 | HB01933  | PCB-RS              | LIGHT CONNECTOR_VER060217              |   |
| 330 | HC00125  | MIC jack-RS         | JY-6351G-02-250                        | X1  |
| 331 | HC00615  | balance MIC jack    | NC4FAV-0 4PIN (NEUTRIK)                | J20   |
| 332 | HC00126  | balance MIC jack-RS | JY-5042-030G female plug 180°          | J19   |
| 333 | HC00065  | connector(male)     | 2P 2.5mm 90°                           | J18   |
| 334 | HC00248  | connector(male)     | 3P 2.0mm 90°                           | J12   |
| 335 | HC00066  | connector(male)     | 3P 2.5mm 90°                           | J17   |
| 336 | AC00179  | tin without lead    | M705E Sn 3Ag-0.5Cu                     |   |
| 337 | HK06711  | PC board            | P-CYCLONE-POWER CONNECTOR              |   |
| 338 | HB01934  | PCB-RS              | POWER CONNECTOR_VER060217              |   |
| 339 | HC00339  | connect terminal    | 6.5m/m (PCF250)                        | J30   |
| 340 | HC00253  | connector(male)     | 2P 2.0mm 180°                          | CN12  |
| 341 | HC00076  | connector(male)     | 2P 2.5mm 180°                          | CN11  |
| 342 | HC00258  | connector(male)     | 7P 2.0mm 180°                          | CN7   |
| 343 | AC00179  | tin without lead    | M705E Sn 3Ag-0.5Cu                     |   |
| 344 | HA04600  | wire-RS             | 2*2P-2*2P 105/370mm UL1007 26AWG       |   |
| 345 | HA04601  | wire-RS             | 2*5P-5P 240mm UL1007 24AWG red/white   |   |
| 346 | HA04602  | wire-RS             | 2*7P-2*7P 30/770mm UL1007 24AWG        |   |
| 347 | HA04603  | wire-RS             | 2*10P-10P 60mm UL1007 24AWG red/white  |   |
| 348 | HA04604  | wire-RS             | 2*14P-14P 30mm UL1007 24AWG red/white  |   |
| 349 | HA04615  | wire-RS             | 3P-3P 290mm UL1007 26AWG red/white     |   |
| 350 | HA04616  | wire-RS             | 2P-2P 580mm UL1007 24AWG red/white     |   |
| 351 | HA04617  | wire-RS             | 8P-8P 160/240mm UL1007 24AWG red/white |   |
| 352 | HA04618  | wire-RS             | 2*7P-2*7P 400mm UL1007 26AWG red/white | C9,C12  |
| 353 | HA04619  | wire-RS             | 2*7P-2*7P 480mm UL1007 26AWG red/white | C4,C3   |
| 354 | HA04620  | wire-RS             | 2*7P-2*7P 600mm UL1007 26AWG red/white | C1,C2   |
| 355 | HA04585  | wire-RS             | 240mm UL1015 18AWG black               | R26   |
| 356 | HA04586  | wire-RS             | 340mm UL1015 18AWG black               | R24,R2  |
| 357 | MG00645  | copper nut          | M3*16*0.5PH_V1.0                       |   |
| 358 | MG00363  | copper pillar       | M3*14*0.5PH                            | CN1   |
| 359 | MG00041  | screw               | M3*6                                   |   |
| 360 | MG00249  | screw               | screw                                  |   |
| 361 | MG00589  | screw               | M3*4                                   |   |
| 362 | MG00281  | screw               | M3*6                                   |   |
| 363 | MG00027  | screw               | M3*12                                  |   |

| No. | Part No. | Description             | Specification                     | Remark         |
|-----|----------|-------------------------|-----------------------------------|----------------|
| 364 | MG00061  | screw                   | M3*10                             |                |
| 365 | ME00060  | MIC jack                | JY-6351G-02-250                   | D11,D12        |
| 366 | MF00061  | MIC jack                | φ9.6*φ13*0.5t                     | Q1             |
| 367 | HC00683  | connector               | CB-6MC 6P male adopter            | Q10            |
| 368 | NI02842  | plastic foot            | φ21.8*10(FFS-1)_V1.0              | Q2             |
| 369 | NI04089  | fixed board             | TYPHOON1600 5.5*76*121 black_V1.0 | Q9             |
| 370 | NI03710  | rubber stopper          | 50.9*6.8 black_V1.1               | Q3             |
| 371 | NI02926  | button                  | 13.9*10*24mm TYPHOON_V1.4         | Q8             |
| 372 | NI03140  | knob                    | 5*5*9 TYPHOON_V1.0                |                |
| 373 | NI03139  | knob                    | 10*5*9 TYPHOON_V1.0               | Q4,Q5          |
| 374 | NI03055  | knob                    | 24*9.5*10.5 TYPHOON               | Q6,Q7          |
| 375 | NI03056  | knob                    | 24*9.5*10.5 TYPHOON               | U7             |
| 376 | NI03367  | knob                    | 24*9.5*10.5 CYCLONE_V1.0          | U11            |
| 377 | NI00359  | knob                    | φ10*16.5                          |                |
| 378 | NI02692  | knob cover              | φ7*3.5 black                      |                |
| 379 | NI02678  | knob cover              | φ7*3.5 534C blue                  |                |
| 380 | NI02867  | knob cover              | φ7*3.5 221U_V1.0                  | J7             |
| 381 | NI03161  | knob cover              | φ7*3.5 yellow_V1.0                |                |
| 382 | NI00218  | cable tie               | ALT-102SB                         |                |
| 383 | NI04282  | header fixed bracket-RS | FCN-15(3M)                        |                |
| 384 | NI04340  | header fixed bracket-RS | WLL-3(3M)                         |                |
| 385 | NF02542  | instruction             | CYCLONE 160/240/320 ALTO_V1.1     |                |
| 386 | NH00149  | paper                   | 889*640mm                         | J3,J5          |
| 387 | NA00122  | PE bag                  | 0.04t*350*230mm                   |                |
| 388 | NA00123  | PE bag                  | 0.04t*580*300mm                   | J2             |
| 389 | NA00549  | PE bag-RS               | 0.1t*83*75cm                      |                |
| 390 | NA00557  | silk wadding-RS         | CYCLONE 160 front right_V1.0      | D3,D7,D8       |
| 391 | NA00562  | silk wadding-RS         | CYCLONE 160 front left_V1.0       | R37,R38        |
| 392 | NA00563  | silk wadding-RS         | CYCLONE 160 behind left_V1.0      | R12,R15        |
| 393 | NA00564  | silk wadding-RS         | CYCLONE 160 behind right_V1.0     | R27            |
| 394 | NB04774  | box-RS                  | CYCLONE160 ALTO_V1.0              | R1             |
| 395 | NB04777  | box-RS                  | CYCLONE160 ALTO_V1.0              | R6,R16         |
| 396 | NB04776  | box-RS                  | CYCLONE160 ALTO_V1.0              | R17,R9         |
| 397 | NB04740  | box                     | CYCLONE 320-PWR_V1.0              | R8             |
| 398 | NB04775  | box-RS                  | CYCLONE160-PWR_V1.0               | R7,R10,R18,R25 |
| 399 | NB04741  | barrier                 | CYCLONE SERIES-PWR_V1.0           | R23,R3         |
| 400 | NB04742  | cardboard               | CYCLONE SERIES-PWR_V1.0           | R4,R20         |
| 401 | NB04743  | cardboard               | CYCLONE SERIES-PWR up_V1.0        | R11,R14        |
| 402 | NB04744  | cardboard               | CYCLONE SERIES-PWR_V1.0           | R19,R5         |
| 403 | HJ00006  | dessicant               | 30g                               |                |
| 404 | NE05004  | label                   | ALTO                              |                |
| 405 | NH00334  | cone paper              | 0.040*1m                          |                |

| No. | Part No. | Description          | Specification                        | Remark  |
|-----|----------|----------------------|--------------------------------------|---------|
| 406 | NE16269  | label-RS             | CYCLONE 160_V1.0                     | C6      |
| 407 | NI00014  | membrane             | 0.035*1M                             |         |
| 408 | NH00012  | bond paper           | 0.04*1M                              |         |
| 409 | NF00061  | assurance card       | ALTO                                 |         |
| 410 | NA00279  | clip-chain bag       | 0.04t*100*150mm_V1.0                 | C5,C14  |
| 411 | NA00137  | clip-chain bag       | 5*7                                  |         |
| 412 | AD00012  | twin adhesive        | 90*120mm_V1.0                        | CN3,CN4 |
| 413 | HA00861  | power cord Europe 3P | LT-312+LT-501                        |         |
| 414 | NI04287  | spacer support-RS    | RAM-14 14mm                          |         |
| 415 | HK06780  | power                | CYCLONE .PS 160.240.320_ALTO         |         |
| 416 | MB04780  | rear board           | CYCLONE . 160-PWR 220-240V_V1.0      |         |
| 417 | MB04760  | rear board           | CYCLONE-PWR                          |         |
| 418 | AE00055  | solvent              | solvent                              |         |
| 419 | AE00060  | paint                | 4534                                 |         |
| 420 | MB04759  | rear board           | CYCLONE-PWR 1.2*208.5*190*64.8_V1.0  |         |
| 421 | ME00036  | iron pillar          | hexagon6.35*M3*9.2                   |         |
| 422 | MD00882  | iron net             | CYCLONE-PWR 0.5t*84.5*58.8_V1.0      |         |
| 423 | MD00343  | iron net             | 1M*134mm                             |         |
| 424 | MJ00059  | single light board   | 1.2*2135*1220 24.54kg                |         |
| 425 | MA05975  | panel                | CYCLONE.160/240/320-PWR ALTO_V1.0    |         |
| 426 | MA05957  | panel                | CYCLONE-PWR                          |         |
| 427 | AE00060  | paint                | 4534                                 |         |
| 428 | AE00055  | solvent              | solvent                              |         |
| 429 | MA05956  | panel                | CYCLONE-PWR 1.2*205.5*63.6*12_V1.0   |         |
| 430 | ME00223  | iron pillar-RS       | TYPHOON M3*5.2*0.5PH_V1.0            |         |
| 431 | MJ00059  | single light board   | 1.2*2135*1220 24.54kg                |         |
| 432 | MD00257  | protective cover     | 60*60mm (KGO60.04A)                  |         |
| 433 | HC00331  | AC socket            | RF-2004                              |         |
| 434 | HD00028  | glass tube fuse      | 2A 250V φ5.2*20mm CSA/S/UL/VDE       |         |
| 435 | HI00019  | power switch         | 4P MSR-8                             |         |
| 436 | HA02812  | wire                 | 5P-5P 300mm ULI007 24LWG white black |         |
| 437 | HA04557  | wire-RS              | 60mm UL1015 22AWG white              |         |
| 438 | HA04556  | wire-RS              | 100mm UL1015 22AWG brown             |         |
| 439 | HA04558  | wire-RS              | 130mm UL1015 20AWG blue              |         |
| 440 | HA04559  | wire-RS              | 130mm UL1015 20AWG yellow            |         |
| 441 | HA03238  | wire                 | 160m/m UL1015 18AWG                  |         |
| 442 | HA04503  | wire-RS              | 5P-6P 95/220mm UL1007 18AWG          |         |
| 443 | HE00104  | fan-RS               | DC24V/0.13A 60*60*25mm               |         |
| 444 | HA03906  | power wire           | SCMI-6P+6*6C(PVC) 1.5M+SCM1-6P       |         |
| 445 | MG00041  | screw                | M3*6                                 |         |
| 446 | MG00025  | screw                | M3*6                                 |         |
| 447 | MG00607  | screw                | M5*10                                |         |

| No. | Part No. | Description                  | Specification                | Remark                   |
|-----|----------|------------------------------|------------------------------|--------------------------|
| 448 | HC00683  | connector                    | CB-6MC 6P male adaptor       |                          |
| 449 | NI03710  | rubber stopper               | 50.9*6.8 black_V1.1          |                          |
| 450 | NI03205  | protective cover             | 0.5*44*15_V1.0               |                          |
| 451 | NA00137  | clip-chain bag               | 5*7                          |                          |
| 452 | ND00542  | filter sponge                | 140*60*10t black             |                          |
| 453 | NA00123  | PE bag                       | 0.04t*580*300mm              |                          |
| 454 | NI00218  | cable tie                    | ALT-102SB                    |                          |
| 455 | NI00501  | self-adhere foot cushion     | 12.7*9*3t(SF-004)            |                          |
| 456 | NI00246  | sleeve                       | φ3*20mm                      |                          |
| 457 | NI00243  | sleeve                       | φ3*1000mm                    |                          |
| 458 | HK06781  | PC board                     | CYCLONE PWR-DIP              |                          |
| 459 | CF00009  | metal-film capacitor MPF     | 0.0047uF/400V 10%            | C109                     |
| 460 | CG00056  | X2 capacitor                 | 0.47uF/275VAC                | C101,C102                |
| 461 | CG00039  | X2 capacitor MPX             | 0.47uF/275V VDE/UL/CSA L=8mm | C1                       |
| 462 | RA01454  | chassis bracket 5W           | 0.15Ω ±5% SQP                | R110                     |
| 463 | RA00013  | metal-oxide-film resistor 1W | 150Ω P type                  | R2                       |
| 464 | RA00813  | metal-oxide-film resistor 1W | 220Ω P type                  | R3,R4                    |
| 465 | CB00073  | electrolytic capacitor       | 1000uF/35V φ13*20mm          | C308,C311                |
| 466 | CB00218  | electrolytic capacitor       | 1000uF/63V φ16*25mm          | C3,C304                  |
| 467 | RH00005  | thermistor                   | 100Ω (PTH9M04BH471TS2F333)   | PR1                      |
| 468 | CB00050  | electrolytic capacitor       | 100uF/50V φ8*11mm            | C315,C316                |
| 469 | CB00295  | electrolytic capacitor       | 820uF/180V φ25*35            | C107,C108                |
| 470 | RA00319  | fixed resistor 1/4W          | 1.0Ω M type                  | R302                     |
| 471 | SA00107  | zener diode                  | 1W 15V 1N4744                | D309                     |
| 472 | SA00143  | zener diode                  | 1W 20V 1N4747A               | D311,D314                |
| 473 | SA00163  | zener diode                  | 1W 24V                       | D315,D316                |
| 474 | RA01227  | metal-oxide-film resistor 1W | 220KΩ P type                 | R5                       |
| 475 | RA00049  | metal-oxide-film resistor 2W | 22KΩ P type                  | R102,R103                |
| 476 | SB00023  | power transistor             | 2SA1943-O                    | Q4                       |
| 477 | SB00021  | power transistor             | 2SC5200                      | Q3,Q5                    |
| 478 | CN00160  | inductance                   | 2.7mH φ0.7*28.5T             | L101,L102                |
| 479 | CB00084  | electrolytic capacitor       | 3300uF/50V φ22*35mm          | C305,C306                |
| 480 | CB00139  | electrolytic capacitor       | 4.7uF/63V NP φ6.3*11mm       | C117                     |
| 481 | CB00276  | electrolytic capacitor       | 220uF/25V φ6.3*11mm 5mm      | C312,C314                |
| 482 | CF00139  | metal-film capacitor MEF     | 0.047UF/400V 5%              | C118,C119                |
| 483 | CB00039  | electrolytic capacitor       | 47uF/25V φ5*11mm             | C310,C313                |
| 484 | CB00217  | electrolytic capacitor       | 470uF/50V φ10*20mm           | C2                       |
| 485 | CB00203  | electrolytic capacitor       | 47uF/35V φ5*11mm             | C113,C114                |
| 486 | SD00066  | integrated circuit           | L7812CV(TO-220)(ST)          | U2                       |
| 487 | SA00130  | diode                        | 1A/600V/35ns BYV26C          | D104,D105                |
| 488 | SA00004  | high speed diode             | 2A/100V BYV27-200,113        | D103,D307,D305,D306,D313 |
| 489 | SB00147  | transistor                   | 2SC4382(TO-220)/(SANKEN)     | Q6,Q7,Q1                 |

| No. | Part No. | Description                | Specification                     | Remark                                  |
|-----|----------|----------------------------|-----------------------------------|---|
| 490 | CB00033  | electrolytic capacitor     | 22uF/25V $\phi$ 6*7mm             | C122                                    |
| 491 | HC00076  | connector(male)            | 2P 2.5mm 180°                     | J2                                      |
| 492 | HC00079  | connector(male)            | 5P 2.5mm 180°                     | J3                                      |
| 493 | HC00177  | connector(male)            | 5P 3.96mm 180°                    | J1                                      |
| 494 | TC00333  | transformer-RS             | ETD39                             | TB1                                     |
| 495 | SA00134  | diode                      | 6A/200V/35ns FE6D                 | D308,D310,D312                          |
| 496 | HC00324  | connect terminal           | 6.5m/m (PC250)                    | 115V,230V,AC1,AC2,COM,GND,P1,P2         |
| 497 | SD00122  | integrated circuit         | IR 2153                           | U3                                      |
| 498 | SB00184  | transistor                 | 2SK2611(T)(TO3P)/(TOSHIBA)        | Q405B,Q406B                             |
| 499 | SA00007  | bridge rectifier           | 8A KBU-806 comb type              | D101                                    |
| 500 | TC00334  | transformer-RS             | PT-XPk35P2001502A3_240V           | TP1                                     |
| 501 | SB00130  | transistor                 | MPSA42/(PHILIPS)                  | Q401,Q403                               |
| 502 | SA00099  | rectifier diode            | MUR1520/STPR1520D                 | D301,D302,D303,D304                     |
| 503 | RH00012  | thermistor                 | 10 $\Omega$ S364(B57364-S100-M)   | R101                                    |
| 504 | MI03520  | heat sink                  | CYCLONE-PWR 70*34.5*16.5_V1.0     |   |
| 505 | MI03116  | heat-sink                  | 5T*34.5*16.5*1M+5(1M/0.9KG)_V 1.0 |   |
| 506 | MI03519  | heat sink                  | CYCLONE-PWR 70*34.5*16.5_V1.0     |   |
| 507 | MI03116  | heat-sink                  | 5T*34.5*16.5*1M+5(1M/0.9KG)_V 1.0 |   |
| 508 | MI03518  | heat sink                  | CYCLONE-PWR 150*48*17_V1.0        |   |
| 509 | MI03517  | heat sink                  | CYCLONE-PWR 1000*50*17_V1.0       |   |
| 510 | MG00166  | screw                      | M3*10                             |   |
| 511 | MG00163  | screw                      | M3*8                              |   |
| 512 | MF00037  | washer                     | $\phi$ 3.2* $\phi$ 5.5*1t         |   |
| 513 | NC00127  | mica                       | 22*28                             |   |
| 514 | NC00005  | mica                       | SB-9500DSP 18*13*0.1t_V1.0        |   |
| 515 | NI00863  | plastic washer             | TO220B                            |   |
| 516 | AC00179  | tin without lead           | M705E Sn 3Ag-0.5Cu                |   |
| 517 | HK06783  | PC board                   | CYCLONE PWR-SMD                   |   |
| 518 | CI00100  | SMD ceramic capacitor 0805 | 0.1uF/50V X7R $\pm$ 10%           | C5,C11,C12,C13,C112,C115,C116,C121,C123 |
| 519 | RD00032  | SMD fixed resistor 1/8W    | 10K $\Omega$ $\pm$ 5% 0805        | R112,R118                               |
| 520 | RD00049  | SMD fixed resistor 1/8W    | 100K $\Omega$ $\pm$ 5% 0805       | R121                                    |
| 521 | RD00036  | SMD fixed resistor 1/8W    | 18K $\Omega$ $\pm$ 5% 0805        | R122                                    |
| 522 | SE00011  | SMD rectifier diode        | RLS4148 0.5A (LL-34)              | D106,D107,D108,D109                     |
| 523 | RD00523  | SMD fixed resistor 1/10W   | 22 $\Omega$ $\pm$ 5% 0805         | R105,R108                               |
| 524 | CI00146  | SMD ceramic capacitor 0805 | 0.22uF/50V X7R $\pm$ 10%          | C124                                    |
| 525 | RD00038  | SMD fixed resistor 1/8W    | 22K $\Omega$ $\pm$ 5% 0805        | R106,R109,R114,R116,R117,R119,R123      |
| 526 | RD00053  | SMD fixed resistor 1/8W    | 330K $\Omega$ $\pm$ 5% 0805       | R115                                    |
| 527 | RD00235  | SMD precise resistor 1/8W  | 4.70K $\Omega$ $\pm$ 1% 0805      | R1,R113                                 |
| 528 | RD00004  | SMD fixed resistor 1/8W    | 47 $\Omega$ $\pm$ 5% 0805         | R104                                    |
| 529 | RD00054  | SMD fixed resistor 1/8W    | 470K $\Omega$ $\pm$ 5% 0805       | R120                                    |
| 530 | RD00507  | SMD precise resistor 1/8W  | 4.30 $\Omega$ $\pm$ 1% 0805       | R107                                    |



| No. | Part No. | Description                  | Specification                  | Remark                |
|-----|----------|------------------------------|--------------------------------|-----------------------|
| 531 | AE00449  | solder material without lead | 9308/Sn Ag Cu                  |                       |
| 532 | RD00100  | SMD fixed resistor 1/10W     | 9.1KΩ ±5% 0603                 | R111                  |
| 533 | HB01979  | PCB-RS                       | PSM-300W_VER060421             |                       |
| 534 | MG00041  | screw                        | M3*6                           |                       |
| 535 | CG00030  | X1/Y2 capacitor              | 2200PF/400V Y5V ±20% Y2CAP     | C4,C6,C7,C8,C103,C104 |
| 536 | CG00020  | X1/Y2 capacitor              | 4700PF Y5V X1-400V Y2-250V     | C105,C106             |
| 537 | SB00129  | transistor                   | MPSA92(TO92)/(PHI)             | Q402,Q404             |
| 538 | SB00148  | transistor                   | 2SA1668(TO-220)/(SANKEN)       | Q2                    |
| 539 | SB00073  | transistor                   | 2N5550/2N5551                  | Q407,Q411             |
| 540 | SB00074  | transistor                   | 2N5401                         | Q408,Q409,Q410        |
| 541 | CA00102  | ceramic capacitor            | 0.001uF Z5V                    | C120                  |
| 542 | CB00040  | electrolytic capacitor       | 47uF/25V φ5*11mm               |                       |
| 543 | CB00274  | electrolytic capacitor       | 470uF/35V φ10*20mm 5mm         | C301,C302,C303,C111   |
| 544 | CB00253  | electrolytic capacitor       | 1000uF/16V φ10*16mm 5mm        | C307,C309             |
| 545 | HA01920  | jump                         | 6mm                            | L1,L2,L3,L4           |
| 546 | HA02249  | wire                         | φ0.6_Tin plated                |                       |
| 547 | HK06784  | PC board                     | CYCLONE PWR-LED                |                       |
| 548 | HB02012  | PCB-RS                       | PSM-300W-LED_VER060214         |                       |
| 549 | RA00237  | fixed resistor 1/4W          | 7.5KΩ M type                   | R4                    |
| 550 | RA00362  | fixed resistor 1/8W          | 2.0KΩ M type                   | R3                    |
| 551 | RA00369  | fixed resistor 1/8W          | 3.0KΩ M type                   | R1,R2                 |
| 552 | HC00271  | connector(male)              | 5P 2.54mm 90°                  | CN1                   |
| 553 | SA00025  | L.E.D                        | φ5 circle green LX3310/F423    | LD1,LD2,LD3,LD4       |
| 554 | AC00179  | tin without lead             | M705E Sn 3Ag-0.5Cu             |                       |
| 555 | MH02001  | magnet                       | VDT17.5X9.5X12.7               |                       |
| 556 | HI00120  | slide switch                 | L21-22A                        |                       |
| 557 | MC00837  | top cover-RS                 | CYCLONE-PWR_V 1.0              |                       |
| 558 | AE00055  | solvent                      | solvent                        |                       |
| 559 | AE00060  | paint                        | 4534                           |                       |
| 560 | MC00836  | top cover                    | CYCLONE-PWR 1.2*190*208.5_V1.0 |                       |
| 561 | MJ00059  | single light board           | 1.2*2135*1220 24.54kg          |                       |
| 562 | MG00027  | screw                        | M3*12                          |                       |

## CYCLONE 240

| No. | Part No. | Description        | Specification                          | Remark |
|-----|----------|--------------------|--|--------|
| 1   | MA05519  | panel              | CYCLONE240 ALTO left_V1.3              |        |
| 2   | MA05505  | panel              | CYCLONE240 left_V1.2                   |        |
| 3   | MA05504  | panel              | CYCLONE240 1.0t*189.75*535.2 left_V1.2 |        |
| 4   | MJ00058  | single light board | 1*2135*1220 20.45kg                    |        |
| 5   | ME00134  | iron pillar        | M3*2.8*0.5PH                           |        |
| 6   | AE00055  | solvent            | solvent                                |        |
| 7   | AE00235  | paint              | 5249                                   |        |
| 8   | MA05518  | panel              | CYCLONE240 ALTO_V1.3                   |        |
| 9   | MA05507  | panel              | CYCLONE240_V1.2                        |        |
| 10  | MA05506  | panel              | CYCLONE240 1.0t*184.5*535.2_V1.2       |        |
| 11  | MJ00058  | single light board | 1*2135*1220 20.45kg                    |        |
| 12  | ME00134  | iron pillar        | M3*2.8*0.5PH                           |        |
| 13  | AE00055  | solvent            | solvent                                |        |
| 14  | AE00235  | paint              | 5249                                   |        |
| 15  | MA05520  | panel              | CYCLONE240 ALTO right_V1.5             |        |
| 16  | MA05503  | panel              | CYCLONE240 right                       |        |
| 17  | MA05502  | panel              | CYCLONE240 1.0*244*535.2 right_V1.2    |        |
| 18  | MJ00058  | single light board | 1*2135*1220 20.45kg                    |        |
| 19  | AE00055  | solvent            | solvent                                |        |
| 20  | AE00235  | paint              | 5249                                   |        |
| 21  | MB04357  | chassis            | CYCLONE240 right_V1.0                  |        |
| 22  | MB04344  | rear board         | CYCLONE240 right_V1.1                  |        |
| 23  | MB04343  | rear board-RS      | CYCLONE240 1.0t*152.6*188.25_V1.2      |        |
| 24  | MJ00058  | single light board | 1*2135*1220 20.45kg                    |        |
| 25  | ME00134  | iron pillar        | M3*2.8*0.5PH                           |        |
| 26  | AE00055  | solvent            | solvent                                |        |
| 27  | AE00235  | paint              | 5249                                   |        |
| 28  | MB04356  | chassis            | CYCLONE240_V1.4                        |        |
| 29  | MB04346  | rear board         | CYCLONE240                             |        |
| 30  | MB04345  | rear board         | CYCLONE240 1.0t*152.6*429.75_V1.1      |        |
| 31  | MJ00058  | single light board | 1*2135*1220 20.45kg                    |        |
| 32  | AE00235  | paint              | 5249                                   |        |
| 33  | AE00055  | solvent            | solvent                                |        |
| 34  | MB04319  | rear board         | CYCLONE240 left_V1.3                   |        |
| 35  | AE00055  | solvent            | solvent                                |        |
| 36  | AE00235  | paint              | 5249                                   |        |
| 37  | MB04318  | rear board         | CYCLONE240 1.0t*533.26*618.5 left_V1.3 |        |
| 38  | MJ00058  | single light board | 1*2135*1220 20.45kg                    |        |
| 39  | MB04323  | rear board         | CYCLONE240_V1.1                        |        |
| 40  | AE00055  | solvent            | solvent                                |        |
| 41  | AE00235  | paint              | 5249                                   |        |
| 42  | MB04322  | rear board         | CYCLONE240 1.0t*89.13*618.5_V1.1       |        |

| No. | Part No. | Description                | Specification                        | Remark  |
|-----|----------|----------------------------|--------------------------------------|---|
| 43  | MJ00058  | single light board         | 1*2135*1220 20.45kg                  |   |
| 44  | MI03552  | handle                     | CYCLONE240 35*45.25*618.5_V 1.0      |   |
| 45  | AE00177  | paint                      | 4866                                 |   |
| 46  | MI02960  | handle                     | CYCLONE240 35*45.25*618.5_V1.1       |   |
| 47  | MI03573  | handle                     | CYCLONE240 35*45.25*618.5_V 1.0      |   |
| 48  | MI03553  | holder                     | CYCLONE240 25.52*51.45*618.5_V 1.0   |   |
| 49  | AE00177  | paint                      | 4866                                 |   |
| 50  | MI02961  | bracket                    | CYCLONE240 25.52*51.45*618.5_V1.1    |   |
| 51  | MI03572  | bracket                    | CYCLONE240 25.52*51.45*618.5_V 1.0   |   |
| 52  | MI03554  | holder                     | CYCLONE240 21.15*26.3*618.5_V 1.0    |   |
| 53  | AE00177  | paint                      | 4866                                 |   |
| 54  | MI02962  | bracket                    | CYCLONE240 21.15*26.3*618.5_V1.1     |   |
| 55  | MI03571  | bracket                    | CYCLONE240 21.15*26.3*618.5_V 1.0    |   |
| 56  | MI02963  | fixed bracket              | CYCLONE240 27.76*41.37*618.5_V1.1    |   |
| 57  | MJ00063  | iron board                 | 1.2*2135*1220 24.54kg                |   |
| 58  | MI02987  | fixed bracket              | CYCLONE240 1.2*22.1*35.88*618.5_V1.1 |   |
| 59  | MJ00063  | iron board                 | 1.2*2135*1220 24.54kg                |   |
| 60  | MJ01288  | side cover board           | CYCLONE160 right_V1.0                |   |
| 61  | MJ01287  | side cover board           | CYCLONE160 3*131.5*737.1 right_V1.0  |   |
| 62  | MJ00057  | AL plate-RS                | 3.0t*2000*1000mm 16.32kg             |   |
| 63  | AE00177  | paint                      | 4866                                 |   |
| 64  | MJ01290  | side cover board           | CYCLONE160 left_V1.0                 |   |
| 65  | MJ01289  | side cover board           | CYCLONE160 3*131.5*737.1 left_V1.0   |   |
| 66  | MJ00057  | AL plate-RS                | 3.0t*2000*1000mm 16.32kg             |   |
| 67  | AE00177  | paint                      | 4866                                 |   |
| 68  | MI02951  | fixed bracket              | CYCLONE160 7.5*31.6*420_V1.0         |   |
| 69  | MJ00063  | iron board                 | 1.2*2135*1220 24.54kg                |   |
| 70  | HK06605  | PC board                   | P-CYCLONE-MONO_PU-DIP                |   |
| 71  | HC00504  | connector(male)            | 10P 2.54mm 180°                      | J1,J2,J3,J4,J5,J6,J7,J8   |
| 72  | HC00371  | MIC jack                   | SCJ-0658-1-Y                         | J1_3,J2_3,J3_3,J4_3,J5_3,J6_3,J7_3,J8_3   |
| 73  | HC00125  | MIC jack-RS                | JY-6351G-02-250                      | J1_2,J2_2,J3_2,J4_2,J5_2,J6_2,J7_2,J8_2   |
| 74  | HC00126  | balance MIC jack-RS        | JY-5042-030G female plug 180°        | J1_1,J2_1,J3_1,J4_1,J5_1,J6_1,J7_1,J8_1   |
| 75  | AC00179  | tin without lead           | M705E Sn 3Ag-0.5Cu                   |   |
| 76  | HK06607  | PC board                   | P-CYCLONE-MONO_PU-SMD                |   |
| 77  | RD00088  | SMD fixed resistor 1/10W   | 2.2KΩ ±5% 0603                       | R1_2,R2_2,R3_2,R4_2,R5_2,R6_2,R7_2,R8_2   |
| 78  | RD00030  | SMD fixed resistor 1/8W    | 6.8KΩ ±5% 0805                       | R1_1,R1_3,R2_1,R2_3,R3_1,R3_3,R4_1,R4_3,R5_1,R5_3,R6_1,R6_3,R7_1,R7_3,R8_1,R8_3 |
| 79  | RD00214  | SMD precise resistor 1/10W | 10.0KΩ ±1% 0603                      | R1_6,R1_7,R2_6,R2_7,R3_6,R3_7,R4_6,R4_7,R5_6,R5_7,R6_6,R6_7,R7_6,R7_7,R8_6,R8_7 |
| 80  | RD00224  | SMD precise resistor 1/10W | 100KΩ ±1% 0603                       | R1_4,R1_5,R2_4,R2_5,R3_4,R3_5,R4_4,R4_5,R5_4,R5_5,R6_4,R6_5,R7_4,R7_5,R8_4,R8_5 |

| No. | Part No. | Description                  | Specification                                  | Remark  |
|-----|----------|------------------------------|--|---|
| 81  | AE00449  | solder material without lead | 9308/Sn Ag Cu                                  | IC9   |
| 82  | HK06606  | PC board                     | P-CYCLONE-MONO_PU-AI                           | LD2,LD12,LD13,LD14,LD15,LD16,LD17,LD24,LD25,LD26,LD27,LD28,LD29   |
| 83  | CB00194  | electrolytic capacitor       | 47uF/25V $\phi$ 5*11mm                         | C1_3,C1_4,C1_5,C1_6,C2_3,C2_4,C2_5,C2_6,C3_3,C3_4,C3_5,C3_6,C4_3,C4_4,C4_5,C4_6,C5_3,C5_4,C5_5,C5_6,C3_5,C3_6,C4_3,C4_4,C4_5,C4_6,C5_3,C5_4,C5_5,C5_6,C6_3,C6_4,C6_5,C6_6,C7_3,C7_4,C7_5,C7_6,C8_3,C8_4,C8_5,C8_6   |
| 84  | CB00249  | electrolytic capacitor       | 47uF/50V $\phi$ 6.3*11mm 2.5mm                 | C1_1,C1_2,C2_1,C2_2,C3_1,C3_2,C4_1,C4_2,C5_1,C5_2,C6_1,C6_2,C7_1,C7_2,C8_1,C8_2   |
| 85  | AC00179  | tin without lead             | M705E Sn 3Ag-0.5Cu                             | LD1,LD2,LD12,LD13,LD14,LD15,LD16,LD17,LD18,LD19,LD20,LD21,LD24,LD25,LD26,LD27,LD28,LD29,LD30,LD31,LD32,LD33   |
| 86  | HB01988  | PCB-RS                       | MONO_PU_VER051021                              | SW1,SW2   |
| 87  | HK06707  | PC board                     | P-CYCLONE-MONO_BOARD-DIP                       | SW3   |
| 88  | RC00483  | potentiometer(dual unit)     | C50K $\Omega$ RD09K12CZ028-50K15C*2(SAS1);30F  | R1_50,R1_53,R2_50,R2_53,R3_50,R3_53,R4_50,R4_53,R5_50,R5_53,R6_50,R6_53,R7_50,R7_53,R8_50,R8_53   |
| 89  | RC00530  | potentiometer                | B20K $\Omega$ RD09K12CZ031-20K3Bx2(SAS);30F-C  | R1_61,R1_62,R1_63,R1_64,R1_65,R1_66,R2_61,R2_62,R2_63,R2_64,R2_65,R2_66,R3_61,R3_62,R3_63,R3_64,R3_65,R3_66,R4_61,R4_62,R4_63,R4_64,R4_65,R4_66,R5_61,R5_62,R5_63,R5_64,R5_65,R5_66,R6_61,R6_62,R6_63,R6_64,R6_65,R6_66,R7_61,R7_62,R7_63,R7_64,R7_65,R7_66,R8_61,R8_62,R8_63,R8_64,R8_65,R8_66 |
| 90  | RC00393  | slide potentiometer          | A10K $\Omega$ RFA0S11G6006-10KA(AA)            | R1_2,R2_2,R3_2,R4_2,R5_2,R6_2,R7_2,R8_2   |
| 91  | RC00429  | potentiometer                | B10K $\Omega$ RK09K113Z111-10K2B(SAS1);30F-C   | R1_1,R2_1,R3_1,R4_1,R5_1,R6_1,R7_1,R8_1   |
| 92  | RC00358  | potentiometer                | B50K $\Omega$ -RD09F113A223-50K2BT(SAS1);30F-C | R1_47,R1_49,R1_52,R1_55,R2_47,R2_49,R2_52,R2_55,R3_47,R3_49,R3_52,R3_55,R4_47,R4_49,R4_52,R4_55,R5_47,R5_49,R5_52,R5_55,R6_47,R6_49,R6_52,R6_55,R7_47,R7_49,R7_52,R7_55,R8_47,R8_49,R8_52,R8_55   |
| 93  | RC00356  | potentiometer                | Z10K $\Omega$ RD09F1130042-10KZ(SAS1);30F      | R1_56,R2_56,R3_56,R4_56,R5_56,R6_56,R7_56,R8_56   |
| 94  | SB00062  | transistor                   | BC337-25                                       | Q1_1,Q3_1,Q5_1,Q7_1,Q8,Q18,Q19,Q20  |
| 95  | SA00052  | L.E.D                        | $\phi$ 3 round(green)long foot 26              | D1_2,D2_2,D3_2,D4_2,D5_2,D6_2,D7_2,D8_2   |
| 96  | SA00053  | L.E.D                        | $\phi$ 3 round(red)long foot 26mm              | D1_1,D1_5,D1_6,D1_7,D1_8,D2_1,D2_5,D2_6,D2_7,D2_8,D3_1,D3_5,D3_6,D3_7,D3_8,D4_1,D4_5,D4_6,D4_7,D4_8,D5_1,D5_5,D5_6,D5_7,D5_8,D6_1,D6_5,D6_6,D6_7,D6_8,D7_1,D7_5,D7_6,D7_7,D7_8,D8_1,D8_5,D8_6,D8_7,D8_8   |
| 97  | SA00071  | L.E.D                        | $\phi$ 3 green LVG2340/A                       | D1_4,D2_4,D3_4,D4_4,D5_4,D6_4,D7_4,D8_4   |
| 98  | SA00072  | L.E.D                        | $\phi$ 3 red LI2340/A                          | D1_3,D2_3,D3_3,D4_3,D5_3,D6_3,D7_3,D8_3   |
| 99  | NI01773  | LED spacer support           | LEDS-13  |   |
| 100 | NI02384  | LED spacer support           | LEDS-4 4mm                                     |   |
| 101 | HI00237  | push-button switch-RS        | 2stage 12P PS-13422R(SELF-LOCK)                | S1_1,S1_5,S2_1,S2_5,S3_1,S3_5,S4_1,S4_5,S5_1,S5_5,S6_1,S6_5,S7_1,S7_5,S8_1,S8_5   |
| 102 | HI00236  | push-button switch-RS        | 2-stage 6P PS-9226A(SELF-LOCK)                 | S1_2,S1_3,S1_4,S1_6,S1_7,S1_8,S2_2,S2_3,S2_4,S2_6,S2_7,S2_8,S3_2,S3_3,S3_4,S3_6,S3_7,S3_8,S4_2,S4_3,S4_4,S4_6,S4_7,S4_8,S5_2,S5_3,S5_4,S5_6,S5_7,S5_8,S6_2,S6_3,S6_4,S6_6,S6_7,S6_8,S7_2,S7_3,S7_4,S7_6,S7_7,S7_8,S8_2,S8_3,S8_4,S8_6,S8_7,S8_8   |

| No. | Part No. | Description                   | Specification                       | Remark                                     |
|-----|----------|-------------------------------|-------------------------------------|--|
| 103 | HC00626  | connector                     | 2.5 180° 1*15P B24-1*15BG1(A)H5     | H1_1,H2_1,H3_1,H4_1,H5_1,H6_1,H7_1,H8_1    |
| 104 | HC00339  | connect terminal              | 6.5m/m (PCF250)                     | J13  |
| 105 | HC00883  | connector(male)-RS            | 2P 2.0mm 180°(A2004WV-2*2P)         | J8   |
| 106 | HC00884  | connector(male)-RS            | 5P 2.0mm 180°(A2004WV-2*5P)         | J10  |
| 107 | HC00885  | connector(male)-RS            | 7P 2.0mm 180°(A2004WV-2*7P)         | J6   |
| 108 | HC00887  | connector(male)-RS            | 10P 2.0mm 180°(A2004WV-2*10P)       | J9   |
| 109 | HC00888  | connector(male)-RS            | 14P 2.0mm 180°(A2004WV-2*14P)       | J5   |
| 110 | HA04570  | wire-RS                       | 10P-10P 120mm UL2651 28AWG PH1.27mm | J1_1,J2_1,J3_1,J4_1,J5_1,J6_1,J7_1,J8_1    |
| 111 | HK02084  | PC board                      | P-MONO_PRE_60dB_REV03-DIP           | R214                                       |
| 112 | HC00717  | connector                     | 2.54 180° 15P 16.5 2.5/5/9mm        | CON1                                       |
| 113 | HK02085  | PC board                      | P-MONO_PRE_60dB_REV03-SMD           | R29,R30,R31,R32                            |
| 114 | RD00116  | SMD fixed resistor 1/10W      | 100KΩ ±5% 0603                      | R33  |
| 115 | CI00075  | SMD ceramic capacitor 0603    | 0.1uF/50V Y5V +80,-20%              | C6,C7,C23,C24                              |
| 116 | RD00101  | SMD fixed resistor 1/10W      | 10KΩ ±5% 0603                       | R24,R25,R27,R28                            |
| 117 | RD00214  | SMD precise resistor 1/10W    | 10.0KΩ ±1% 0603                     | R22,R23                                    |
| 118 | CI00071  | SMD ceramic capacitor 0603    | 0.01uF/50V X7R ±10%                 | C10,C11                                    |
| 119 | RD00201  | SMD precise resistor 1/10W    | 1.50KΩ ±1% 0603                     | R31,R32                                    |
| 120 | CI00065  | SMD ceramic capacitor 0603    | 0.001uF/50V X7R ±10%                | C16,C17                                    |
| 121 | RD00306  | SMD fixed resistor 1/10W      | 20KΩ ±5% 0603                       | R4,R5,R7                                   |
| 122 | RD00204  | SMD precise resistor 1/10W    | 2.49KΩ ±1% 0603                     | R9,R10,R11,R12,R13,R14,R15                 |
| 123 | CI00062  | SMD ceramic capacitor 0603    | 330PF/50V NPO ±5 %                  | C9   |
| 124 | SF00053  | transistor                    | MMBT3906(SOT-23)/(PHI)              | TR4,TR1,TR2,TR3                            |
| 125 | RD00078  | SMD fixed resistor 1/10W      | 470Ω ±5% 0603                       | R16,R17                                    |
| 126 | RD00355  | SMD fixed resistor 1/10W      | 4.7Ω ±5% 0603                       | R3   |
| 127 | RD00210  | SMD precise resistor 1/10W    | 5.11KΩ ±1% 0603                     | R18,R19,R20,R21                            |
| 128 | RD00097  | SMD fixed resistor 1/10W      | 6.8KΩ ±5% 0603                      | R29,R30                                    |
| 129 | SE00028  | SMD rectifier diode           | BAS316,115                          | D1   |
| 130 | HB01400  | PCB                           | MONO_PRE_60dB_ALTO_REV04            | R1,R2,R3,R4,R5,R6,R7,R8,R9,R10             |
| 131 | AE00449  | solder material without lead  | 9308/Sn Ag Cu                       | R23,R24,R27,R28                            |
| 132 | SE00011  | SMD rectifier diode           | RLS4148 0.5A (LL-34)                | D2,D3,D4,D5                                |
| 133 | RD00065  | SMD fixed resistor 1/10W      | 47Ω ±5% 0603                        | R1,R2                                      |
| 134 | CI00266  | SMD ceramic capacitor-RS 0603 | 22PF/50V NPO ±5 %                   | C8,C12,C13,C14,C15                         |
| 135 | SG00122  | SMD integrated circuit        | NJM4580M-TE3                        | U1,U2,U3                                   |
| 136 | SB00175  | transistor                    | 2SA970-BL(TE2;T)                    | TR5,TR6                                    |
| 137 | AC00179  | tin without lead              | M705E Sn 3Ag-0.5Cu                  | C1,C2,C3,C4                                |
| 138 | ND00083  | EV foam                       | 10*25*5                             |  |
| 139 | MI02952  | fixed bracket                 | CYCLONE160 7*7.5*164 L type_V1.0    | C48,C49,C50,C63                            |
| 140 | MJ00061  | iron board                    | 1*2135*1220 20.45kg                 | C6,C7,C11,C46                              |
| 141 | MG00199  | screw                         | M3*4                                |  |
| 142 | AC00179  | tin without lead              | M705E Sn 3Ag-0.5Cu                  | C24,C25,C26,C27,C28,C29,C30,C31            |
| 143 | HK06700  | PC board                      | P-CYCLONE-MONO_BOARD-SMD            | D1,D2,D3,D4                                |
| 144 | RD00006  | SMD fixed resistor 1/8W       | 100Ω ±5% 0805                       | R1_69,R3_69,R5_69,R7_69,R43,R640,R647,R648 |

| No. | Part No. | Description              | Specification  | Remark  |
|-----|----------|--------------------------|----------------|---|
| 145 | RD00068  | SMD fixed resistor 1/10W | 100Ω ±5% 0603  | R10,R633,R634,R635,R636,R6  |
| 146 | RD00079  | SMD fixed resistor 1/10W | 560Ω ±5% 0603  | R1_48,R1_75,R2_48,R2_75,R3_48,R3_75<br>R4_48,R4_75,R5_48,R5_75,R6_48,R6_75<br>R7_48,R7_75,R8_48,R8_75   |
| 147 | RD00083  | SMD fixed resistor 1/10W | 1.0KΩ ±5% 0603 | R454,R455,R456,R457,R458,R459,R460,R461,<br>R462,R463,R464,R465,R466,R467,R468,R469,<br>R470,R471,R472,R473,R474,R475,R476,R477,<br>R478,R479,R480,R481,R482,R483,R484,R485   |
| 148 | RD00089  | SMD fixed resistor 1/10W | 2.7KΩ ±5% 0603 | R391,R392,R393,R394,R395,R396,R397,R398,<br>R399,R400,R401,R402,R403,R404,R405,R406,<br>R407,R408,R409,R410,R411,R412,R413,R414,<br>R415,R416,R417,R418,R419,R420,R421,R422   |
| 149 | RD00093  | SMD fixed resistor 1/10W | 4.7KΩ ±5% 0603 | R1_10,R2_10,R3_10,R4_10,R5_10,R6_10<br>R7_10,R8_10  |
| 150 | RD00094  | SMD fixed resistor 1/10W | 5.1KΩ ±5% 0603 | R1_12,R1_7,R1_8,R2_12,R2_7,R2_8,R3_12,R<br>3_7,R3_8,R4_12,R4_7,R4_8,R5_12,R5_7,R5_8<br>R6_12,R6_7,R6_8,R7_12,R7_7,R7_8,R8_12,R<br>8_7,R8_8  |
| 151 | RD00095  | SMD fixed resistor 1/10W | 5.6KΩ ±5% 0603 | R29,R486,R487,R488,R489,R490,R491,R492,<br>R493,R494,R495,R496,R497,R498,R499,R500,<br>R501,R502,R503,R504,R505,R506,R507,R508,<br>R509,R510,R511,R512,R513,R514,R515,R516,<br>R517,R518,R519,R520,R521,R522,R523,R524,<br>R525,R526,R527,R528,R529,R530,R531,R532,<br>R533,R534,R535,R536,R537,R538,R539,R540,<br>R541,R542,R543,R544,R545,R546,R547,R644  |
| 152 | RD00101  | SMD fixed resistor 1/10W | 10KΩ ±5% 0603  | R1_15,R1_16,R1_17,R1_18,R1_19,R1_20,R1_<br>24,R1_25,R1_26,R1_27,R1_28,R1_29,R1_3,R1<br>_32,R1_33,R1_34,R1_35,R1_36,R1_37,R1_4,R<br>1_59,R1_60,R1_70,R1_71,R1_72,R1_73,R2_1<br>5,R2_16,R2_17,R2_18,R2_19,R2_20,R2_24,R2<br>_25,R2_26,R2_27,R2_28,R2_29,R2_3,R2_32,R<br>2_33,R2_34,R2_35,R2_36,R2_37,R2_4,R2_59,<br>R2_60,R2_70,R2_71,R2_72,R2_73,R3_15,R3_<br>16,R3_17,R3_18,R3_19,R3_20,R3_24,R3_25,R<br>3_26,R3_27,R3_28,R3_29,R3_3,R3_32,R3_33,<br>R3_34,R3_35,R3_36,R3_37,R3_4,R3_59,R3_6<br>0,R3_70,R3_71,R3_72,R3_73,R4_15,R4_16,R4<br>_17,R4_18,R4_19,R4_20,R4_24,R4_25,R4_26,<br>R4_27,R4_28,R4_29,R4_3,R4_32,R4_33,R4_3<br>4,R4_35,R4_36,R4_37,R4_4,R4_59,R4_60,R4_<br>70,R4_71,R4_72,R4_73,R5_15,R5_16,R5_17,R<br>5_18,R5_19,R5_20,R5_24,R5_25,R5_26,R5_2<br>7,R5_28,R5_29,R5_3,R5_32,R5_33,R5_34,R5_<br>35,R5_36,R5_37,R5_4,R5_59,R5_60,R5_70,R5<br>_71,R5_72,R5_73,R6_15,R6_16,R6_17,R6_18,<br>R6_19,R6_20,R6_24,R6_25,R6_26,R6_27,R6_<br>28,R6_29,R6_3,R6_32,R6_33,R6_34,R6_35,R6<br>_36,R6_37,R6_4,R6_59,R6_60,R6_70,R6_71,R<br>6_72,R6_73,R7,R7_15,R7_16,R7_17,R7_18,R7<br>_19,R7_20,R7_24,R7_25,R7_26,R7_27,R7_28,<br>R7_29,R7_3,R7_32,R7_33,R7_34,R7_35,R7_3<br>6,R7_37,R7_4,R7_59,R7_60,R7_70,R7_71,R7_<br>72,R7_73,R8,R8_15,R8_16,R8_17,R8_18,R8_1<br>9,R8_20,R8_24,R8_25,R8_26,R8_27,R8_28,R8<br>_29,R8_3,R8_32,R8_33,R8_34,R8_35,R8_36,R<br>8_37,R8_4,R8_59,R8_60,R8_70,R8_71,R8_72,<br>R8_73,R9,R170,R177,R181,R182,R183,R187,<br>R191,R192,R193,R197,R201,R202,R203,R207,<br>R211,R212,R213,R217,R221,R222,R223,R227,<br>R231,R232,R233,R237,R241,R242,R243 |
| 153 | RD00099  | SMD fixed resistor 1/10W | 8.2KΩ ±5% 0603 | R16,R328,R329,R330,R331,R332,R333,R<br>334,R335,R336,R337,R338,R339,R340,R<br>341,R342,R343,R344,R345,R346,R347,R<br>348,R349,R350,R351,R352,R353,R354,R<br>355,R356,R357,R358,R359,R360,R361,R<br>362,R363,R364,R365,R366,R367,R368,R<br>369,R370,R371,R372,R373,R374,R375,R<br>376,R377,R378,R379,R380,R381,R382,R<br>383,R384,R385,R386,R387,R388,R389,R<br>390  |

| No. | Part No. | Description                | Specification                           | Remark  |
|-----|----------|----------------------------|---|---|
| 154 | RD00102  | SMD fixed resistor 1/10W   | 12KΩ ±5% 0603                           | R1_6,R2_6,R3_6,R4_6,R5_6,R6_6,R7_6,R8_6   |
| 155 | RD00103  | SMD fixed resistor 1/10W   | 15KΩ ±5% 0603                           | R21,R564,R565,R566,R567,R568,R569,R645  |
| 156 | RD00306  | SMD fixed resistor 1/10W   | 20KΩ ±5% 0603                           | R1_23,R3_23,R5_23,R7_23,R44,R260,R261,R641  |
| 157 | RD00108  | SMD fixed resistor 1/10W   | 33KΩ ±5% 0603                           | R1_40,R1_51,R2_40,R2_51,R3_40,R3_51,R4_40,R4_51,R5_40,R5_51,R6_40,R6_51,R7_40,R7_51,R8_40,R8_51   |
| 158 | RD00115  | SMD fixed resistor 1/10W   | 82KΩ ±5% 0603                           | R548,R549,R550,R551,R552,R553,R554,R555,R556,R557,R558,R559,R560,R561,R562,R563   |
| 159 | RD00116  | SMD fixed resistor 1/10W   | 100KΩ ±5% 0603                          | R1,R1_13,R1_14,R1_22,R1_57,R1_58,R1_74,R1_76,R1_77,R1_78,R2_13,R2_14,R2_22,R2_57,R2_58,R2_74,R2_76,R2_77,R2_78,R3_13,R3_14,R3_22,R3_57,R3_58,R3_74,R3_76,R3_77,R3_78,R4_13,R4_14,R4_22,R4_57,R4_58,R4_74,R4_76,R4_77,R4_78,R5_13,R5_14,R5_22,R5_57,R5_58,R5_74,R5_76,R5_77,R5_78,R6_13,R6_14,R6_22,R6_57,R6_58,R6_74,R6_76,R6_77,R6_78,R7_13,R7_14,R7_22,R7_57,R7_58,R7_74,R7_76,R7_77,R7_78,R8_13,R8_14,R8_22,R8_57,R8_58,R8_74,R8_76,R8_77,R8_78,R279,R280,R283,R284,R286,R287,R288,R290,R291,R293,R294,R295,R297,R298,R300,R301,R302,R304,R305,R307,R308,R309,R311,R312,R313,R314,R315,R317,R318,R320,R321,R322,R323,R324,R325,R326,R327 |
| 160 | RD00118  | SMD fixed resistor 1/10W   | 150KΩ ±5% 0603                          | R28,R423,R424,R425,R426,R427,R428,R429,R430,R431,R432,R433,R434,R435,R436,R437  |
| 161 | CI00051  | SMD ceramic capacitor 0603 | 22PF/50V<br>C0G±5%(C1608C0G1H220JT)/TDK | C1_21,C1_22,C1_23,C2_21,C2_22,C2_23,C3_21,C3_22,C3_23,C4_21,C4_22,C4_23,C5_21,C5_22,C5_23,C6_21,C6_22,C6_23,C7_21,C7_22,C7_23,C8_18,C8_22,C8_23,C47,C48,C49,C50,C55,C56,C57,C58,C63,C64,C65,C66,C71,C72,C73,C74,C79,C80,C81,C82,C87,C88,C89,C90,C95,C96,C97,C98,C103,C104,C105,C106   |
| 162 | CI00096  | SMD ceramic capacitor 0603 | 560PF/50V NPO ±5 %                      | C217,C218,C219,C220,C221,C222,C223,C224   |
| 163 | CI00069  | SMD ceramic capacitor      | 0.0033uF/50V X7R ±10 %                  | C201,C202,C203,C204,C205,C206,C   |
| 164 | CI00093  | SMD ceramic capacitor      | 0.015uF/50V X7R ±10%                    | C177,C178,C179,C180,C181,C182,C   |
| 165 | CI00072  | SMD ceramic capacitor      | 0.022uF/50V X7R ±10%                    | C225,C226,C227,C228,C229,C  |
| 166 | CI00075  | SMD ceramic capacitor 0603 | 0.1uF/50V Y5V +80,-20%                  | C1_13,C1_14,C1_15,C1_16,C2_13,C2_14,C2_15,C2_16,C3_13,C3_14,  |
| 167 | SE00011  | SMD rectifier diode        | RLS4148 0.5A (LL-34)                    | D1_10,D1_9,D3_10,D3_9,D5_10,D5_9,D7_7_10,D7_9,D8,D27,D28,D29,D30,D31,D32  |
| 168 | SF00053  | transistor                 | MMBT3906(SOT-23)/(PHI)                  | Q1_2,Q1_3,Q2_2,Q2_3,Q3_2,Q3_3,Q4_2,Q4_3,Q5_2,Q5_3,Q6_2,Q6_3,Q7_2,Q7_3,Q8_2,Q8_3   |
| 169 | SG00122  | SMD integrated circuit     | NJM4580M-TE3                            | U1_1,U1_2,U2_1,U2_2,U3_1,U3_2,U4,U4_1,U4_2,U5,U5_1,U5_2,U6,U6_1,U6_2,U7,U7_1,U7_2,U8,U8_1,U8_2,U9,U10,U11,U15,U16,U17,U18,U22,U23,U24,U25,U29,U30,U31,U32,U36,U37,U38,U39,U43,U44,U45,U46,U50,U51,U52,U53,U57,U58,U59,U60,U61,U62,U63,U64   |

| No. | Part No. | Description                  | Specification                              | Remark   |
|-----|----------|------------------------------|--|--|
| 170 | AE00449  | solder material without lead | 9308/Sn Ag Cu                              |  |
| 171 | HK06706  | PC board                     | P-CYCLONE-MONO_BOARD-AI                    |  |
| 172 | CB00069  | electrolytic capacitor       | 1000uF/6.3V $\phi$ 8*11mm                  | C1_18,C2_18,C3_18,C4_18,C5_18,C6_18,C7_18,C8_19  |
| 173 | CB00194  | electrolytic capacitor       | 47uF/25V $\phi$ 5*11mm                     | C1_1,C1_2,C1_3,C1_6,C1_7,C1_8,C1_17,C1_19,C1_20,C2_1,C2_2,C2_3,C2_6,C2_7,C2_8,C2_17,C2_19,C2_20,C3_1,C3_2,C3_3,C3_6,C3_7,C3_8,C3_17,C3_19,C3_20,C4_1,C4_2,C4_3,C4_6,C4_7,C4_8,C4_17,C4_19,C4_20,C5_1,C5_2,C5_3,C5_6,C5_7,C5_8,C5_17,C5_19,C5_20,C6_1,C6_2,C6_3,C6_6,C6_7,C6_8,C6_17,C6_19,C6_20,C7_1,C7_2,C7_3,C7_6,C7_7,C7_8,C7_17,C7_19,C7_20,C8_1,C8_2,C8_3,C8_6,C8_7,C8_8,C8_17,C8_21,C8_20            |
| 174 | HA01933  | jump                         | 2.5mm                                      | C1_10,C2_10,C3_10,C4_10,C5_10,C6_10,C7_10,C8_10  |
| 175 | AC00179  | tin without lead             | M705E Sn 3Ag-0.5Cu                         | C48,C49  |
| 176 | HB01993  | PCB-RS                       | MONO_BOARD_VER060215                       | C51,C54  |
| 177 | HK06608  | PC board                     | P-CYCLONE-STEREO_PU-DIP                    | D9,D10,D11,D12   |
| 178 | HC00610  | connector(male)              | 10P 2.54mm 90°                             | J33,J34,J35,J36  |
| 179 | HC00371  | MIC jack                     | SCJ-0658-1-Y                               | J2,J3  |
| 180 | HC00125  | MIC jack-RS                  | JY-6351G-02-250                            | J9_2,J9_3,J10_2,J10_3,J11_2,J11_3,J12_2,J12_3,J5,J6,J7,J8,J9,J10,J11,J12,J15,J16,J17,J18,J20,J21,J22,J23,J24,J25,J26,J27   |
| 181 | HC00403  | RCA jack                     | SCP6873NS3232T2 4P                         | J19  |
| 182 | HC00339  | connect terminal             | 6.5m/m (PCF250)                            | J32  |
| 183 | HC00885  | connector(male)-RS           | 7P 2.0mm 180°(A2004WV-2*7P)                | J28,J29,J30  |
| 184 | HC00126  | balance MIC jack-RS          | JY-5042-030G female plug 180°              | J9_1,J10_1,J11_1,J12_1   |
| 185 | HC00392  | balance MIC jack-RS          | JY-5030-030G 180°                          | J1,J4  |
| 186 | AC00179  | tin without lead             | M705E Sn 3Ag-0.5Cu                         | J6   |
| 187 | HK06610  | PC board                     | P-CYCLONE-STEREO_PU-SMD                    |  |
| 188 | RD00068  | SMD fixed resistor 1/10W     | 100 $\Omega$ $\pm$ 5% 0603                 | R17,R62,R64,R66,R68,R70,R72,R74,R76,R78,R80,R81,R85,R93,R94,R95,R97,R98,R99,R100,R101,R102,R103,R104,R105,R106,R107,R108   |
| 189 | RD00083  | SMD fixed resistor 1/10W     | 1.0K $\Omega$ $\pm$ 5% 0603                | R57,R60  |
| 190 | RD00088  | SMD fixed resistor 1/10W     | 2.2K $\Omega$ $\pm$ 5% 0603                | R9_2,R10_2,R11_2,R12_2   |
| 191 | RD00214  | SMD precise resistor 1/10W   | 10.0K $\Omega$ $\pm$ 1% 0603               | R5,R6,R7,R8,R9,R9_8,R9_9,R9_10,R9_11,R9_12,R9_13,R9_15,R9_16,R10,R10_8,R10_9,R10_10,R10_11,R10_12,R10_13,R10_15,R10_16,R11_8,R11_9,R11_10,R11_11,R11_12,R11_13,R11_15,R11_16,R12_8,R12_9,R12_10,R12_11,R12_12,R12_13,R12_15,R12_16,R13,R14,R15,R16,R18,R19,R20,R21,R22,R23,R25,R26,R27,R28,R29,R30,R31,R32,R33,R34,R35,R36,R37,R38,R40,R41,R45,R46,R47,R48,R49,R51,R59,R83,R84,R87,R88,R89,R90,R91,R92,R96 |
| 192 | RD00105  | SMD fixed resistor 1/10W     | 22K $\Omega$ $\pm$ 5% 0603                 | R56,R58  |
| 193 | RD00116  | SMD fixed resistor 1/10W     | 100K $\Omega$ $\pm$ 5% 0603                | R1,R2,R3,R4,R11,R12,R24,R39,R42,R43,R44,R50,R52,R53,R54,R55,R61,R63,R65,R67,R69,R71,R73,R75,R77,R79,R82,R86  |
| 194 | RD00030  | SMD fixed resistor 1/8W      | 6.8K $\Omega$ $\pm$ 5% 0805                | R9_1,R9_3,R10_1,R10_3,R11_1,R11_3,R12_1,R12_3  |
| 195 | CI00051  | SMD ceramic capacitor 0603   | 22PF/50V C0G $\pm$ 5%(C1608C0G1H220JT)/TDK | C9,C9_9,C9_10,C9_11,C9_12,C10,C10_9,C10_10,C10_11,C10_12,C11,C11_9,C11_10,C11_11,C11_12,C12,C12_9,C12_10,C12_11,C12_12,C29,C30,C31,C32,C37,C38,C39,C40,C45,C46,C49,C50   |



| No. | Part No. | Description                   | Specification                           | Remark  |
|-----|----------|-------------------------------|---|---|
| 196 | CI00053  | SMD ceramic capacitor 0603    | 33PF/50V C0G±5%(C1608C0G1H330JT)/TDK    | C15,C16,C17,C18,C19,C58,C59,C64   |
| 197 | CI00075  | SMD ceramic capacitor 0603    | 0.1uF/50V Y5V +80,-20%                  | C9_14,C9_17,C10_14,C10_17,C11_14,C11_17,C12_14,C12_17,C66,C68,C81,C82,C83,C84,C85,C86,C87,C88   |
| 198 | SG00122  | SMD integrated circuit        | NJM4580M-TE3                            | U1,U2,U4,U5,U6,U7,U9_2,U10_2,U11_2,U12_2  |
| 199 | AE00449  | solder material without lead  | 9308/Sn Ag Cu                           | CN2   |
| 200 | HK06609  | PC board                      | P-CYCLONE-STEREO_PU-AI                  |   |
| 201 | CB00194  | electrolytic capacitor        | 47uF/25V φ5*11mm                        | C9_5,C9_6,C9_7,C9_8,C10_5,C10_6,C10_7,C10_8,C11_5,C11_6,C11_7,C11_8,C12_5,C12_6,C12_7,C12_8,C1,C2,C3,C4,C5,C6,C7,C8,C13,C14,C20,C21,C22,C23,C24,C25,C26,C27,C28,C33,C34,C35,C36,C41,C42,C43,C44,C47,C48,C51,C52,C53,C54,C55,C56,C57,C60,C61,C62,C63,C65,C67,C69,C71,C73,C75,C77,C79 |
| 202 | CB00249  | electrolytic capacitor        | 47uF/50V φ6.3*11mm 2.5mm                | C9_1,C9_2,C10_1,C10_2,C11_1,C11_2,C12_1,C12_2   |
| 203 | AC00179  | tin without lead              | M705E Sn 3Ag-0.5Cu                      |   |
| 204 | HB01994  | PCB-RS                        | STEREO_PU_VER060215                     |   |
| 205 | HK06709  | PC board                      | P-CYCLONE-STEREO_BOARD-DIP              |   |
| 206 | SD00007  | integrated circuit            | BA15218N (M5218L substitute)            | U11,U29   |
| 207 | SB00175  | transistor                    | 2SA970-BL(TE2;T)                        | Q8,Q9   |
| 208 | SB00062  | transistor                    | BC337-25                                | Q1,Q2,Q3,Q9_1,Q10,Q11,Q13_1   |
| 209 | SA00052  | L.E.D                         | φ3 round(green)long foot 26             | D9_2,D11_2,D13_2,D15_2,D13,D14,D21,D22,D23,D24,D40,D41,D43,D57,D58,D78,D79,D80,D81,D82,D83  |
| 210 | SA00053  | L.E.D                         | φ3 round(red)long foot 26mm             | D9_1,D9_7,D9_8,D9_9,D9_10,D9_11,D11_1,D11_7,D11_8,D11_9,D11_10,D11_11,D13_1,D13_7,D13_8,D13_9,D13_10,D13_11,D15_1,D15_7,D15_8,D15_9,D15_10,D15_11,D55,D59   |
| 211 | SA00201  | L.E.D                         | φ5 red(LI3330/A)                        | D47   |
| 212 | SA00054  | L.E.D                         | 3m/m round(yellow)long foot 26          | D12,D20,D31,D32,D35,D36,D60,D61,D72,D73,D74,D75   |
| 213 | SA00071  | L.E.D                         | φ3 green LVG2340/A                      | D1,D2,D3,D4,D29,D30,D34,D38,D45,D9_4,D11_4,D13_4,D15_4  |
| 214 | SA00072  | L.E.D                         | φ3 red LI2340/A                         | D9_3,D11_3,D13_3,D15_3,D25,D26,D33,D37,D44  |
| 215 | NI01773  | LED spacer support            | LEDS-13                                 |   |
| 216 | NI02384  | LED spacer support            | LEDS-4 4mm                              | C28,C29,C30,C31,C5,C6,C7,C8   |
| 217 | NI01765  | LED spacer support            | LEDS-10 10mm                            | C38,C39,C40,C41   |
| 218 | RC00393  | slide potentiometer           | A10KΩ RFA0S11G6006-10KA(AA)             | R1,R2,R3,R4   |
| 219 | RC00395  | slide potentiometer-dual unit | A10K RFA0N12G6501-10KAx2(AA)            | R9_110,R11_110,R13_110,R15_110,R53  |
| 220 | RC00429  | potentiometer                 | B10KΩ RK09K113Z111-10K2B(SAS1);30F-C    | R9_109,R11_109,R13_109,R15_109,R408,R410,R412,R434  |
| 221 | RC00428  | potentiometer                 | B20KΩ RK09K113Z115-20K2B(SAS1);30F-C    | R186,R187,R208,R209,R220,R221   |
| 222 | RC00358  | potentiometer                 | B50KΩ-RD09F113A223-50K2BT(SAS1);30F-C   | R151  |
| 223 | RC00360  | potentiometer                 | B50KΩ RD12L12CA23A-50K3BT*2(SAS1);30F-C | R9_7,R9_20,R9_21,R9_22,R9_23,R11_7,R11_20,R11_21,R11_22,R11_23,R13_7,R13_20,R13_21,R13_22,R13_23,R15_7,R15_20,R15_21,R15_22,R15_23,R246,R247  |

| No. | Part No. | Description                | Specification                         | Remark   |
|-----|----------|----------------------------|---------------------------------------|--|
| 224 | RC00530  | potentiometer              | B20KΩ RD09K12CZ031-20K3Bx2(SAS):30F-C | R9_26,R9_29,R9_32,R9_35,R9_38,R9_44,R11_26,R11_29,R11_32,R11_35,R11_38,R11_44,R13_26,R13_29,R13_32,R13_35,R13_38,R13_44,R15_26,R15_29,R15_32,R15_35,R15_38,R15_44,R132,R323,R327,R331,R334,R344,R348,R352,R355,R365,R369,R373,R376,R386,R390,R394,R397,R407,R409,R411,R413,R693,R694,R695,R696,R697,R698,R699,R700 |
| 225 | RC00356  | potentiometer              | Z10KΩ RD09F1130042-10KZ(SAS1):30F     | R9_1,R11_1,R13_1,R15_1   |
| 226 | HC00626  | connector                  | 2.5 180° 1*15P B24-1*15BG1(A)H5       | H9_1,H11_1,H13_1,H15_1   |
| 227 | HC00339  | connect terminal           | 6.5m/m (PCF250)                       | J21  |
| 228 | HI00237  | push-button switch-RS      | 2stage 12P PS-13422R(SELF-LOCK)       | S1,S3,S6,S9,S11,S13,S16,S20,S21,S22,S23,S24,S25,S26,S27,S28,S29,S30,S31,S35,S36,S39,S40,S41,S46,S56,S9_5,S9_6,S9_9,S11_5,S11_6,S11_9,S13_5,S13_6,S13_9,S15_5,S15_6,S15_9   |
| 229 | HI00236  | push-button switch-RS      | 2-stage 6P PS-9226A(SELF-LOCK)        | S2,S4,S5,S7,S8,S10,S12,S14,S15,S17,S18,S19,S32,S33,S34,S37,S38,S57,S58,S9_1,S9_10,S9_2,S9_3,S9_4,S9_7,S11_1,S11_10,S11_2,S11_3,S11_4,S11_7,S13_1,S13_10,S13_2,S13_3,S13_4,S13_7,S15_1,S15_10,S15_2,S15_3,S15_4,S15_7   |
| 230 | HC00077  | connector(male)            | 3P 2.5mm 180°                         | J2   |
| 231 | HC00254  | connector(male)            | 3P 2.0mm 180°                         | J3   |
| 232 | HC00256  | connector(male)            | 5P 2.0mm 180°                         | J10  |
| 233 | HC00259  | connector(male)            | 8P 2.0mm 180°                         | J22,J23  |
| 234 | HC00397  | connector(male)            | 10P 2.0mm 180°                        | J14  |
| 235 | HC00321  | connector(male)            | 14P 2.0mm 180°                        | J5   |
| 236 | HC00883  | connector(male)-RS         | 2P 2.0mm 180°(A2004WV-2*2P)           | J6   |
| 237 | HC00885  | connector(male)-RS         | 7P 2.0mm 180°(A2004WV-2*7P)           | J4,J7,J8,J16   |
| 238 | HC00886  | connector(male)-RS         | 8P 2.0mm 180°(A2004WV-2*8P)           | J24  |
| 239 | HA04569  | wire-RS                    | 10P-10P 140mm UL2651 28AWG PH1.27mm   | J9,J11,J13,J15   |
| 240 | HA00392  | wire                       | 270mm black L5R5                      | JUMP   |
| 241 | HK02084  | PC board                   | P-MONO_PRE_60dB_REV03-DIP             | L3,L4,L5,L6,L10,L11,L12,L13  |
| 242 | HC00717  | connector                  | 2.54 180° 15P 16.5 2.5/5/9mm          | CON1   |
| 243 | HK02085  | PC board                   | P-MONO_PRE_60dB_REV03-SMD             | TE11,TE13  |
| 244 | RD00116  | SMD fixed resistor 1/10W   | 100KΩ ±5% 0603                        | R33  |
| 245 | CI00075  | SMD ceramic capacitor 0603 | 0.1uF/50V Y5V +80,-20%                | C6,C7,C23,C24  |
| 246 | RD00101  | SMD fixed resistor 1/10W   | 10KΩ ±5% 0603                         | R24,R25,R27,R28  |
| 247 | RD00214  | SMD precise resistor 1/10W | 10.0KΩ ±1% 0603                       | R22,R23  |
| 248 | CI00071  | SMD ceramic capacitor 0603 | 0.01uF/50V X7R ±10%                   | C10,C11  |
| 249 | RD00201  | SMD precise resistor 1/10W | 1.50KΩ ±1% 0603                       | R31,R32  |
| 250 | CI00065  | SMD ceramic capacitor 0603 | 0.001uF/50V X7R ±10%                  | C16,C17  |
| 251 | RD00306  | SMD fixed resistor 1/10W   | 20KΩ ±5% 0603                         | R4,R5,R7   |
| 252 | RD00204  | SMD precise resistor 1/10W | 2.49KΩ ±1% 0603                       | R9,R10,R11,R12,R13,R14,R15   |
| 253 | CI00062  | SMD ceramic capacitor 0603 | 330PF/50V NPO ±5 %                    | C9   |
| 254 | SF00053  | transistor                 | MMBT3906(SOT-23)/(PHI)                | TR4,TR1,TR2,TR3  |

| No. | Part No. | Description                   | Specification                    | Remark  |
|-----|----------|-------------------------------|----------------------------------|---|
| 255 | RD00078  | SMD fixed resistor 1/10W      | 470Ω ±5% 0603                    | R16,R17   |
| 256 | RD00355  | SMD fixed resistor 1/10W      | 4.7Ω ±5% 0603                    | R3  |
| 257 | RD00210  | SMD precise resistor 1/10W    | 5.11KΩ ±1% 0603                  | R18,R19,R20,R21   |
| 258 | RD00097  | SMD fixed resistor 1/10W      | 6.8KΩ ±5% 0603                   | R29,R30   |
| 259 | SE00028  | SMD rectifier diode           | BAS316,115                       | D1  |
| 260 | HB01400  | PCB                           | MONO_PRE_60dB_ALTO_REV04         | C40,C41,C42,C43   |
| 261 | AE00449  | solder material without lead  | 9308/Sn Ag Cu                    | C3  |
| 262 | SE00011  | SMD rectifier diode           | RLS4148 0.5A (LL-34)             | D2,D3,D4,D5   |
| 263 | RD00065  | SMD fixed resistor 1/10W      | 47Ω ±5% 0603                     | R1,R2   |
| 264 | CI00266  | SMD ceramic capacitor-RS 0603 | 22PF/50V NPO ±5 %                | C8,C12,C13,C14,C15  |
| 265 | SG00122  | SMD integrated circuit        | NJM4580M-TE3                     | U1,U2,U3  |
| 266 | SB00175  | transistor                    | 2SA970-BL(TE2;T)                 | TR5,TR6   |
| 267 | AC00179  | tin without lead              | M705E Sn 3Ag-0.5Cu               | R28,R35   |
| 268 | ND00083  | EV foam                       | 10*25*5                          |   |
| 269 | MI02953  | fixed bracket                 | CYCLONE160 7*7.5*173 L type_V1.0 | R31   |
| 270 | MJ00061  | iron board                    | 1*2135*1220 20.45kg              | R39,R40,R41,R42,R43,R44,R45,R46   |
| 271 | MG00199  | screw                         | M3*4                             |   |
| 272 | AC00179  | tin without lead              | M705E Sn 3Ag-0.5Cu               | D8  |
| 273 | HK06701  | PC board                      | P-CYCLONE-STEREO_BOARD-SMD       | U6  |
| 274 | RD00059  | SMD fixed resistor 1/10W      | 0.0Ω ±5% 0603                    | R7,R8,R9  |
| 275 | RD00006  | SMD fixed resistor 1/8W       | 100Ω ±5% 0805                    | R9_41,R13_41,R77,R81,R638,R640,R688   |
| 276 | RD00068  | SMD fixed resistor 1/10W      | 100Ω ±5% 0603                    | R54,R88,R501,R543,R544,R545   |
| 277 | RD00069  | SMD fixed resistor 1/10W      | 120Ω ±5% 0603                    | R678,R679   |
| 278 | RD00078  | SMD fixed resistor 1/10W      | 470Ω ±5% 0603                    | R78,R79,R82,R83,R90,R91   |
| 279 | RD00080  | SMD fixed resistor 1/10W      | 680Ω ±5% 0603                    | R682,R683   |
| 280 | RD00082  | SMD fixed resistor 1/10W      | 820Ω ±5% 0603                    | R672,R673   |
| 281 | RD00083  | SMD fixed resistor 1/10W      | 1.0KΩ ±5% 0603                   | R159,R161,R167  |
| 282 | RD00084  | SMD fixed resistor 1/10W      | 1.2KΩ ±5% 0603                   | R680,R681   |
| 283 | RD00086  | SMD fixed resistor 1/10W      | 1.8KΩ ±5% 0603                   | R546,R547,R548,R549,R550,R551,R552,R553,R554,R555,R556,R557,R558,R559,R560,R561,R562,R563,R564,R565,R566,R567,R568,R569,R570,R571,R572,R573,R574,R575,R576,R577   |
| 284 | RD00088  | SMD fixed resistor 1/10W      | 2.2KΩ ±5% 0603                   | R667,R668   |
| 285 | RD00089  | SMD fixed resistor 1/10W      | 2.7KΩ ±5% 0603                   | R9_18,R9_9,R11_18,R11_9,R13_18,R13_9,R15_18,R15_9   |
| 286 | RD00090  | SMD fixed resistor 1/10W      | 3.0KΩ ±5% 0603                   | R174,R175,R177,R178,R180,R183   |
| 287 | RD00091  | SMD fixed resistor 1/10W      | 3.3KΩ ±5% 0603                   | R684,R685   |
| 288 | RD00093  | SMD fixed resistor 1/10W      | 4.7KΩ ±5% 0603                   | R9_113,R9_115,R9_131,R9_134,R11_113,R11_115,R11_131,R11_134,R13_113,R13_115,R13_131,R13_134,R15_113,R15_115,R15_131,R15_134,R84,R95,R131,R232,R249,R297,R300,R303,R306,R309,R312,R315,R318,R335,R343,R358,R364,R379,R385,R389,R393,R438 |
| 289 | RD00097  | SMD fixed resistor 1/10W      | 6.8KΩ ±5% 0603                   | R153,R154,R298,R299,R301,R302,R304,R305,R307,R308,R310,R311,R313,R314,R316,R317,R319,R320   |

| No. | Part No. | Description              | Specification  | Remark  |
|-----|----------|--------------------------|----------------|---|
| 290 | RD00096  | SMD fixed resistor 1/10W | 6.2KΩ ±5% 0603 | R13,R24,R37,R47   |
| 291 | RD00094  | SMD fixed resistor 1/10W | 5.1KΩ ±5% 0603 | R9_117,R9_132,R11_117,R11_132,R13_117,R13_132,R15_117,R15_132,R60,R67,R70,R72,R75,R100,R104,R111,R120,R127,R130,R340,R361,R382,R403,R416,R418,R422,R425,R428,R55,R57  |
| 292 | RD00101  | SMD fixed resistor 1/10W | 10KΩ ±5% 0603  | R5,R6,R9_11,R9_112,R9_119,R9_120,R9_121,R9_122,R9_123,R9_124,R9_125,R9_126,R9_127,R9_128,R9_133,R9_2,R9_27,R9_28,R9_30,R9_31,R9_33,R9_34,R9_36,R9_37,R9_39,R9_40,R9_42,R9_43,R9_60,R9_65,R9_68,R9_69,R9_79,R9_82,R11,R11_11,R11_112,R11_119,R11_120,R11_121,R11_122,R11_123,R11_124,R11_125,R11_126,R11_127,R11_128,R11_133,R11_2,R11_27,R11_28,R11_30,R11_31,R11_33,R11_34,R11_36,R11_37,R11_39,R11_40,R11_42,R11_43,R11_60,R11_65,R11_68,R11_69,R11_79,R11_82,R13_11,R13_112,R13_119,R13_120,R13_121,R13_122,R13_123,R13_124,R13_125,R13_126,R13_127,R13_128,R13_133,R13_2,R13_27,R13_28,R13_30,R13_31,R13_33,R13_34,R13_36,R13_37,R13_39,R13_40,R13_42,R13_43,R13_60,R13_65,R13_68,R13_69,R13_79,R13_82,R15,R15_11,R15_12,R15_119,R15_120,R15_121,R15_122,R15_123,R15_124,R15_125,R15_126,R15_127,R15_128,R15_133,R15_2,R15_27,R15_28,R15_30,R15_31,R15_33,R15_34,R15_36,R15_37,R15_39,R15_40,R15_42,R15_43,R15_60,R15_65,R15_68,R15_69,R15_79,R15_82,R18,R22,R25,R26,R29,R30,R35,R39,R42,R46,R49,R50,R61,R64,R65,R69,R71,R74,R85,R94,R99,R102,R103,R110,R112,R114,R124,R125,R129,R133,R134,R135,R136,R137,R138,R139,R140,R141,R142,R143,R144,R152,R157,R158,R163,R164,R165,R170,R184,R223,R224,R229,R231,R234,R248,R324,R325,R328,R329,R332,R333,R336,R337,R338,R339,R341,R342,R345,R346,R349,R350,R353,R354,R356,R357,R359,R360,R362,R363,R366,R367,R370,R371,R374,R375,R377,R378,R380,R381,R383,R384,R387,R388,R391,R392,R3,R450,R451,R452,R453,R454,R455,R456,R457,R458,R459,R460,R461,R462,R463,R464,R466,R467,R468,R469,R471,R472,R474,R479,R480,R482,R485,R487,R490,R491,R493,R494,R495,R496,R502,R503,R504,R505,R506,R507,R508,R509,R510,R511,R512,R513,R514,R515,R654,R655,R663,R665,R669,R670,RR706,R707,R708,R709,R710,R711,R712,R713,R714,R396,671,R674,R675,R676,R677,R690,R691,R692,R701,R702,R703,R704,R705,R399,R400,R401,R402,R404,R405,R414,R415,R417,R420,R421,R424,R426,R427,R446,R447,R448,R449 |
| 293 | RD00102  | SMD fixed resistor 1/10W | 12KΩ ±5% 0603  | R149,R181,R182  |
| 294 | RD00103  | SMD fixed resistor 1/10W | 15KΩ ±5% 0603  | R595,R596,R597,R598,R599,R600,R601,R602,R603,R604,R605,R606,R607,R608,R609,R610,R611,R612   |

| No. | Part No. | Description                | Specification                        | Remark   |
|-----|----------|----------------------------|--------------------------------------|--|
| 295 | RD00306  | SMD fixed resistor 1/10W   | 20KΩ ±5% 0603                        | R9_48,R13_47,R59,R68,R76,R80,R98,R128,R260,R266,R267,R268,R269,R278,R281,R282,R283,R286,R287,R288,R423,R475,R476,R637,R686,R687  |
| 296 | RD00105  | SMD fixed resistor 1/10W   | 22KΩ ±5% 0603                        | R150,R179  |
| 297 | RD00106  | SMD fixed resistor 1/10W   | 27KΩ ±5% 0603                        | R9_16,R9_17,R9_6,R9_8,R11_16,R11_17,R11_6,R11_8,R13_16,R13_17,R13_6,R13_8,R15_16,R15_17,R15_6,R15_8  |
| 298 | RD00107  | SMD fixed resistor 1/10W   | 30KΩ ±5% 0603                        | R326,R330,R347,R351,R368,R372,R398,R406,R465,R470,R473,R477,R478,R481,R483,R484,R486,R488,R489,R649,R650,R651,R652,R653  |
| 299 | RD00108  | SMD fixed resistor 1/10W   | 33KΩ ±5% 0603                        | R664,R666  |
| 300 | RD00109  | SMD fixed resistor 1/10W   | 39KΩ ±5% 0603                        | R629,R630,R631,R632,R633,R634,R635,R636  |
| 301 | RD00116  | SMD fixed resistor 1/10W   | 100KΩ ±5% 0603                       | R9_10,R9_106,R9_108,R9_118,R9_135,R9_139,R9_143,R9_15,R9_19,R9_24,R9_25,R9_3,R9_4,R9_45,R9_46,R9_47,R9_5,R10,R11_10,R11_106,R11_108,R11_118,R11_135,R11_139,R11_143,R11_15,R11_19,R11_24,R11_25,R11_3,R11_4,R11_41,R11_46,R11_47,R11_48,R11_5,R12,R13_10,R13_106,R13_108,R13_118,R13_135,R13_139,R13_143,R13_15,R13_24,R13_25,R13_3,R13_4,R13_45,R13_46,R13_48,R13_5,R14,R15_10,R15_106,R15_108,R15_118,R15_135,R15_139,R15_143,R15_15,R15_19,R15_24,R15_25,R15_3,R15_4,R15_41,R15_45,R15_46,R15_5,R16,R17,R19,R34,R41,R62,R73,R86,R87,R89,R93,R101,R113,R122,R147,R148,R168,R173,R185,R270,R271,R272,R273,R274,R275,R276,R277,R279,R280,R284,R285,R419,R429,R433,R492,R497,R498,R499,R500,R520,R521,R522,R523,R524,R525,R526,R527,R528,R529,R530,R531,R532,R533,R534,R639,R641,R642,R643,R644,R645,R646 |
| 302 | RD00118  | SMD fixed resistor 1/10W   | 150KΩ ±5% 0603                       | R656,R657  |
| 303 | RD00119  | SMD fixed resistor 1/10W   | 220KΩ ±5% 0603                       | R578,R579,R580,R581,R582,R583,R584,R585,R586,R587,R588,R589,R590,R591,R592,R593,R594   |
| 304 | RD00124  | SMD fixed resistor 1/10W   | 820KΩ ±5% 0603                       | R659,R660,R661,R662  |
| 305 | RD00125  | SMD fixed resistor 1/10W   | 1.0MΩ ±5% 0603                       | R613,R614,R615,R616,R617,R618,R619,R620,R621,R622,R623,R624,R625,R626,R627,R628  |
| 306 | CI00051  | SMD ceramic capacitor 0603 | 22PF/50V C0G±5%(C1608C0G1H220JT)/TDK | C3,C4,C8,C9,C9_10,C9_2,C9_20,C9_42,C11_10,C11_4,C13_10,C13_4,C15_10,C15_4,C152,C155,C156,C157,C158,C159,C160,C161,C162,C163,C164,C165,C166,C167,C168,C169,C170,C171,C172,C173,C174,C175,C176,C177,C178,C179,C180,C181,C182,C183,C184,C185,C186,C187,C188,C189,C190,C191,C192,C193,C9_32,C9_41,C11_16,C11_2,C11_20,C11_32,C13,C13_16,C13_2,C13_20,C13_32,C14,C15_16,C15_2,C15_20,C15_32,C19,C52,C53,C57,C58,C98,C99,C101,C102,C105,C107,C108,C118,C146,C148,C198,C199,C200,C201,C202,C203,C204,C205,C206,C207,C208,C209,C210,C211,C404  |
| 307 | CI00059  | SMD ceramic capacitor 0603 | 100PF/50V NPO ±5%                    | C59,C61,C92,C96,C149   |

| No. | Part No. | Description                  | Specification               | Remark  |
|-----|----------|------------------------------|-----------------------------|---|
| 308 | CI00067  | SMD ceramic capacitor 0603   | 0.0022uF/50V X7R ±10%       | C290,C291,C292,C293,C294,C295,C296,C297   |
| 309 | CI00069  | SMD ceramic capacitor 0603   | 0.0033uF/50V X7R ±10 %      | C322,C323,C324,C325,C326,C327,C328,C329,C330,C331,C332,C333,C334,C335,C336,C337   |
| 310 | CI00071  | SMD ceramic capacitor 0603   | 0.01uF/50V X7R ±10%         | C40,C45,C48,C49,C50,C51,C54   |
| 311 | CI00093  | SMD ceramic capacitor 0603   | 0.015uF/50V X7R ±10%        | C298,C299,C300,C301,C302,C303,C304,C305,C306,C307,C308,C309,C310,C311,C312,C313   |
| 312 | CI00073  | SMD ceramic capacitor 0603   | 0.033uF/50V X7R ±10%        | C314,C315,C316,C317,C318,C319,C320,C321   |
| 313 | CI00075  | SMD ceramic capacitor 0603   | 0.1uF/50V Y5V +80,-20%      | C9_22,C9_23,C9_24,C9_25,C9_28,C9_29,C9_39,C9_40,C11_22,C11_23,C11_24,C11_25,C11_28,C11_29,C11_39,C11_40,C13_22,C13_23,C13_24,C13_25,C13_28,C13_29,C13_39,C13_40,C15_22,C15_23,C15_24,C15_25,C15_28,C15_29,C15_39,C15_40,C29,C30,C31,C32,C33,C34,C35,C36,C41,C42,C63,C65,C68,C71,C113,C114,C115,C116,C117,C119,C120,C121,C122,C123,C124,C125,C127,C128,C129,C130,C135,C136,C137,C138,C139,C140,C141,C142,C143,C144,C151,C153,C154,C228,C229,C230,C231,C232,C233,C234,C235,C236,C237,C238,C239,C240,C241,C242,C243,C244,C245,C246,C247,C248,C249,C250,C251,C252,C253,C254,C255,C256,C257,C258,C259,C260,C261,C479,C480,C481,C482,C483,C484,C485,C486,C487,C488,C489,C490,C491,C492,C493,C494,C495,C496,C497,C498,C499,C500,C501,C502,C503 |
| 314 | SE00011  | SMD rectifier diode          | RLS4148 0.5A (LL-34)        | D5,D6,D7,D8,D9,D10,D11,D15,D16,D17,D18,D19,D27,D28,D39,D42,D46,D48,D49,D50,D51,D52,D53,D54,D56,D66,D67,D68,D69,D70,D71,D76,D77,D84,D85,D86,D87,D88,D89,D90,D91,D9_5,D9_6,D13_5,D13_6  |
| 315 | SG00122  | SMD integrated circuit       | NJM4580M-TE3                | U1,U2,U3,U4,U5,U6,U7,U8,U9,U9_1,U9_3,U9_4,U9_5,U11_1,U11_3,U11_4,U11_5,U13_1,U13_3,U13_4,U13_5,U14,U15_1,U15_3,U15_4,U15_5,U16,U17,U18,U19,U20,U21,U22,U23,U25,U26,U27,U28,U30,U31,U32,U33,U34,U35,U36,U49,U50,U51,U52,U53,U54,U55,U56,U57,U58,U59,U60,U61,U62,U63,U64,U65,U66,U67,U68,U69,U75,U76  |
| 316 | SF00051  | transistor                   | SST176(S6)(SOT-23)/(VISHAY) | Q4,Q5,Q6,Q7   |
| 317 | SF00053  | transistor                   | MMBT3906(SOT-23)/(PHI)      | Q9_2,Q9_3,Q9_4,Q11_2,Q11_3,Q13_2,Q13_3,Q15_2,Q15_3  |
| 318 | SG00116  | SMD integrated circuit       | BA1033FV E2                 | U70,U71,U73,U74   |
| 319 | AE00449  | solder material without lead | 9308/Sn Ag Cu               |   |
| 320 | RD00268  | SMD fixed resistor 1/10W     | 300KΩ ±5% 0603              | R658  |
| 321 | RD00111  | SMD fixed resistor 1/10W     | 47KΩ ±5% 0603               | R251,R253   |
| 322 | RD00445  | SMD precise resistor 1/10W   | 2.43KΩ ±1% 0603             | R233,R222   |
| 323 | RD00095  | SMD fixed resistor 1/10W     | 5.6KΩ ±5% 0603              | R172  |
| 324 | HK06708  | PC board                     | P-CYCLONE-STEREO_BOARD-AI   |   |
| 325 | CB00011  | electrolytic capacitor       | 2.2uF/50V φ5*11mm           | C69,C73   |

| No. | Part No. | Description            | Specification                        | Remark  |
|-----|----------|------------------------|--------------------------------------|---|
| 326 | CB00165  | electrolytic capacitor | 10uF/16V φ4*5mm                      | C66,C72   |
| 327 | CB00025  | electrolytic capacitor | 10uF/50V φ6*7mm                      | C93,C95   |
| 328 | CB00194  | electrolytic capacitor | 47uF/25V φ5*11mm                     | C1,C2,C5,C6,C7,C10,C11,C12,C15,C16,C17,C18,C20,C22,C24,C25,C26,C47,C55,C60,C62,C64,C67,C70,C82,C84,C86,C87,C88,C89,C94,C145,C147,C270,C271,C272,C273,C274,C275,C276,C277,C280,C281,C282,C283,C284,C285,C286,C287,C288,C289,C339,C340,C346,C347,C350,C351,C354,C355,C510,C511,C512,C9_1,C9_3,C9_4,C9_6,C9_8,C9_12,C9_13,C9_14,C9_15,C9_21,C9_33,C9_34,C9_35,C9_43,C9_44,C11_1,C11_3,C11_6,C11_8,C11_12,C11_13,C11_14,C11_15,C11_17,C11_18,C11_21,C11_30,C11_33,C11_34,C11_35,C13_1,C13_3,C13_6,C13_8,C13_12,C13_13,C13_14,C13_15,C13_17,C13_19,C13_21,C13_30,C13_33,C13_34,C13_35,C15_1,C15_3,C15_6,C15_8,C15_12,C15_13,C15_14,C15_15,C15_17,C15_19,C15_21,C15_30,C15_33,C15_34,C15_35 |
| 329 | CB00166  | electrolytic capacitor | 100uF/16V φ6*5mm                     | C9_5,C9_11,C11_5,C11_11,C13_5,C13_11,C15_5,C15_11,C46,C338  |
| 330 | CB00069  | electrolytic capacitor | 1000uF/6.3V φ8*11mm                  | C9_7,C11_7,C13_7,C15_7  |
| 331 | RA00184  | fixed resistor 1/4W    | 100Ω M type                          | R58,R225,R228,R235,R239,R689  |
| 332 | RA00136  | fixed resistor 1/2W    | 2.2KΩ M type                         | R256,R257   |
| 333 | RA00140  | fixed resistor 1/2W    | 4.7KΩ M type                         | R259  |
| 334 | RA00242  | fixed resistor 1/4W    | 10KΩ M type                          | R192,R193,R195,R196,R202,R203,R205,R206,R212,R213,R215,R216   |
| 335 | HA01933  | jump                   | 2.5mm                                | C9_18,C11_19,C13_18,C15_18,C100,C103,C106,C109  |
| 336 | AC00179  | tin without lead       | M705E Sn 3Ag-0.5Cu                   |   |
| 337 | HB01995  | PCB-RS                 | STEREO_BOARD-VER060217               |   |
| 338 | HK06710  | K-PC BOARD             | P-CYCLONE-LIGHT CONNECTOR            |   |
| 339 | HB01933  | PCB-RS                 | LIGHT CONNECTOR_VER060217            |   |
| 340 | HC00125  | MIC jack-RS            | JY-6351G-02-250                      | X1  |
| 341 | HC00615  | balance MIC jack       | NC4FAV-0 4PIN (NEUTRIK)              | J20   |
| 342 | HC00126  | balance MIC jack-RS    | JY-5042-030G female plug 180°        | J19   |
| 343 | HC00065  | connector(male)        | 2P 2.5mm 90°                         | J18   |
| 344 | HC00248  | connector(male)        | 3P 2.0mm 90°                         | J12   |
| 345 | HC00066  | connector(male)        | 3P 2.5mm 90°                         | J17   |
| 346 | AC00179  | tin without lead       | M705E Sn 3Ag-0.5Cu                   |   |
| 347 | HK06711  | PC board               | P-CYCLONE-POWER CONNECTOR            | C9,C12  |
| 348 | HB01934  | PCB-RS                 | POWER CONNECTOR_VER060217            | C4,C3   |
| 349 | HC00339  | connect terminal       | 6.5m/m (PCF250)                      | J30   |
| 350 | HC00253  | connector(male)        | 2P 2.0mm 180°                        | CN12  |
| 351 | HC00076  | connector(male)        | 2P 2.5mm 180°                        | CN11  |
| 352 | HC00258  | connector(male)        | 7P 2.0mm 180°                        | CN7   |
| 353 | AC00179  | tin without lead       | M705E Sn 3Ag-0.5Cu                   | CN1   |
| 354 | HA04605  | wire-RS                | 2*2P-2*2P 190/105/370mm UL1007 26AWG | F1-15,F2-15   |

| No. | Part No. | Description             | Specification                          | Remark      |
|-----|----------|-------------------------|--|-------------|
| 355 | HA04606  | wire-RS                 | 2*5P-2*5P 190/240mm UL1007 24AWG       | F1-15,F2-15 |
| 356 | HA04607  | wire-RS                 | 2*7P-2*7P 190/30/770mm UL1007 24AWG    | BD1         |
| 357 | HA04608  | wire-RS                 | 2*10P-2*10P 190/60mm UL1007 24AWG      | D5          |
| 358 | HA04609  | wire-RS                 | 2*14P-2*14P 190/30mm UL1007 24AWG      | D2,D4       |
| 359 | HA04615  | wire-RS                 | 3P-3P 290mm UL1007 26AWG red/white     | D1,D6       |
| 360 | HA04616  | wire-RS                 | 2P-2P 580mm UL1007 24AWG red/white     | D11,D12     |
| 361 | HA04617  | wire-RS                 | 8P-8P 160/240mm UL1007 24AWG red/white | Q1          |
| 362 | HA04618  | wire-RS                 | 2*7P-2*7P 400mm UL1007 26AWG red/white | Q10         |
| 363 | HA04619  | wire-RS                 | 2*7P-2*7P 480mm UL1007 26AWG red/white | Q2          |
| 364 | HA04620  | wire-RS                 | 2*7P-2*7P 600mm UL1007 26AWG red/white | Q9          |
| 365 | HA04585  | wire-RS                 | 240mm UL1015 18AWG black               | Q3          |
| 366 | HA04587  | wire-RS                 | 210/340mm UL1015 18AWG black           | Q8          |
| 367 | MG00645  | copper nut              | M3*16*0.5PH_V1.0                       |             |
| 368 | MG00363  | copper pillar           | M3*14*0.5PH                            | Q4,Q5       |
| 369 | MG00041  | screw                   | M3*6                                   |             |
| 370 | MG00249  | screw                   | screw                                  |             |
| 371 | MG00589  | screw                   | M3*4                                   |             |
| 372 | MG00281  | screw                   | M3*6                                   |             |
| 373 | MG00027  | screw                   | M3*12                                  |             |
| 374 | MG00061  | screw                   | M3*10                                  |             |
| 375 | ME00060  | MIC jack                | JY-6351G-02-250                        | J7          |
| 376 | MF00061  | MIC jack                | φ9.6*φ13*0.5t                          |             |
| 377 | HC00683  | connector               | CB-6MC 6P male adoptor                 | J1,J6       |
| 378 | NI02842  | plastic foot            | φ21.8*10(FFS-1)_V1.0                   |             |
| 379 | NI04089  | fixed board             | TYPHOON1600 5.5*76*121 black_V1.0      | J4          |
| 380 | NI03710  | rubber stopper          | 50.9*6.8 black_V1.1                    |             |
| 381 | NI02926  | button                  | 13.9*10*24mm TYPHOON_V1.4              | J3,J5       |
| 382 | NI03140  | knob                    | 5*5*9 TYPHOON_V1.0                     |             |
| 383 | NI03139  | knob                    | 10*5*9 TYPHOON_V1.0                    | J2          |
| 384 | NI03055  | knob                    | 24*9.5*10.5 TYPHOON                    |             |
| 385 | NI03056  | knob                    | 24*9.5*10.5 TYPHOON                    | D3,D7,D8    |
| 386 | NI03367  | knob                    | 24*9.5*10.5 CYCLONE_V1.0               | R37,R38     |
| 387 | NI00359  | knob                    | φ10*16.5                               |             |
| 388 | NI02692  | knob cover              | φ7*3.5 black                           | R27         |
| 389 | NI02678  | knob cover              | φ7*3.5 534C blue                       | R1          |
| 390 | NI02867  | knob cover              | φ7*3.5 221U_V1.0                       | R6,R16      |
| 391 | NI03161  | knob cover              | φ7*3.5 yellow_V1.0                     | R17,R9      |
| 392 | NI04287  | spacer support-RS       | RAM-14 14mm                            | R8          |
| 393 | NI00218  | cable tie               | ALT-102SB                              |             |
| 394 | NI04282  | header fixed bracket-RS | FCN-15(3M)                             | R23,R3      |
| 395 | NI04340  | header fixed bracket-RS | WLL-3(3M)                              |             |
| 396 | NF02542  | instruction             | CYCLONE 160/240/320 ALTO_V1.1          | R11,R14     |



| No. | Part No. | Description          | Specification                       | Remark  |
|-----|----------|----------------------|-------------------------------------|---------|
| 397 | NH00149  | paper                | 889*640mm                           | R19,R5  |
| 398 | NA00122  | PE bag               | 0.04t*350*230mm                     | R13     |
| 399 | NA00550  | PE bag-RS            | 0.1t*83*92cm                        | R22     |
| 400 | NA00558  | silk wadding-RS      | CYCLONE 240 front right_V1.0        | R21     |
| 401 | NA00559  | silk wadding-RS      | CYCLONE 240 front left_V1.0         | C6      |
| 402 | NA00560  | silk wadding-RS      | CYCLONE 240 behind right_V1.0       | C15     |
| 403 | NA00561  | silk wadding-RS      | CYCLONE 240 behind left_V1.0        | C11,C7  |
| 404 | NB04771  | box-RS               | CYCLONE 240 ALTO_V1.0               | C8,C10  |
| 405 | NB04773  | box-RS               | CYCLONE240 ALTO_V1.0                | C5,C14  |
| 406 | NB04772  | box-RS               | CYCLONE240 ALTO_V1.0                |         |
| 407 | NB04740  | box                  | CYCLONE 320-PWR_V1.0                | CN3,CN4 |
| 408 | NB04775  | box-RS               | CYCLONE160-PWR_V1.0                 |         |
| 409 | NB04741  | barrier              | CYCLONE SERIES-PWR_V1.0             |         |
| 410 | NB04742  | cardboard            | CYCLONE SERIES-PWR_V1.0             |         |
| 411 | NB04743  | cardboard            | CYCLONE SERIES-PWR up_V1.0          |         |
| 412 | NB04744  | cardboard            | CYCLONE SERIES-PWR_V1.0             |         |
| 413 | HJ00006  | dessicant            | 30g                                 |         |
| 414 | NE05004  | label                | ALTO                                |         |
| 415 | NH00334  | cone paper           | 0.040*1m                            |         |
| 416 | NE16270  | label-RS             | CYCLONE 240_V1.0                    |         |
| 417 | NI00014  | membrane             | 0.035*1M                            |         |
| 418 | NH00012  | bond paper           | 0.04*1M                             |         |
| 419 | NF00061  | assurance card       | ALTO                                |         |
| 420 | NA00279  | clip-chain bag       | 0.04t*100*150mm_V1.0                |         |
| 421 | AD00012  | twin adhesive        | 90*120mm_V1.0                       |         |
| 422 | HA00861  | power cord Europe 3P | LT-312+LT-501                       |         |
| 423 | HK06780  | power                | CYCLONE .PS 160.240.320_ALTO        |         |
| 424 | MB04780  | rear board           | CYCLONE , 160-PWR 220-240V_V1.0     |         |
| 425 | MB04760  | rear board           | CYCLONE-PWR                         |         |
| 426 | AE00055  | solvent              | solvent                             |         |
| 427 | AE00060  | paint                | 4534                                |         |
| 428 | MB04759  | rear board           | CYCLONE-PWR 1.2*208.5*190*64.8_V1.0 |         |
| 429 | ME00036  | iron pillar          | hexagon6.35*M3*9.2                  |         |
| 430 | MD00882  | iron net             | CYCLONE-PWR 0.5t*84.5*58.8_V1.0     |         |
| 431 | MD00343  | iron net             | 1M*134mm                            |         |
| 432 | MJ00059  | single light board   | 1.2*2135*1220 24.54kg               |         |
| 433 | MA05975  | panel                | CYCLONE.160/240/320-PWR ALTO_V1.0   |         |
| 434 | MA05957  | panel                | CYCLONE-PWR                         |         |
| 435 | AE00060  | paint                | 4534                                |         |
| 436 | AE00055  | solvent              | solvent                             |         |
| 437 | MA05956  | panel                | CYCLONE-PWR 1.2*205.5*63.6*12_V1.0  |         |
| 438 | ME00223  | iron pillar-RS       | TYPHOON M3*5.2*0.5PH_V1.0           |         |

| No. | Part No. | Description                  | Specification                        | Remark    |
|-----|----------|------------------------------|--------------------------------------|-----------|
| 439 | MJ00059  | single light board           | 1.2*2135*1220 24.54kg                |           |
| 440 | MD00257  | protective cover             | 60*60mm (KGO60.04A)                  |           |
| 441 | HC00331  | AC socket                    | RF-2004                              |           |
| 442 | HD00028  | glass tube fuse              | 2A 250V $\phi$ 5.2*20mm CSA/S/UL/VDE |           |
| 443 | HI00019  | power switch                 | 4P MSR-8                             |           |
| 444 | HA02812  | wire                         | 5P-5P 300mm ULI007 24LWG white black |           |
| 445 | HA04557  | wire-RS                      | 60mm UL1015 22AWG white              |           |
| 446 | HA04556  | wire-RS                      | 100mm UL1015 22AWG brown             |           |
| 447 | HA04558  | wire-RS                      | 130mm UL1015 20AWG blue              |           |
| 448 | HA04559  | wire-RS                      | 130mm UL1015 20AWG yellow            |           |
| 449 | HA03238  | wire                         | 160m/m UL1015 18AWG                  |           |
| 450 | HA04503  | wire-RS                      | 5P-6P 95/220mm UL1007 18AWG          |           |
| 451 | HE00104  | fan-RS                       | DC24V/0.13A 60*60*25mm               |           |
| 452 | HA03906  | power wire                   | SCMI-6P+6*6C(PVC) 1.5M+SCM1-6P       |           |
| 453 | MG00041  | screw                        | M3*6                                 |           |
| 454 | MG00025  | screw                        | M3*6                                 |           |
| 455 | MG00607  | screw                        | M5*10                                |           |
| 456 | HC00683  | connector                    | CB-6MC 6P male adoptor               |           |
| 457 | NI03710  | rubber stopper               | 50.9*6.8 black_V1.1                  |           |
| 458 | NI03205  | protective cover             | 0.5*44*15_V1.0                       |           |
| 459 | NA00137  | clip-chain bag               | 5*7                                  |           |
| 460 | ND00542  | filter sponge                | 140*60*10t black                     |           |
| 461 | NA00123  | PE bag                       | 0.04t*580*300mm                      |           |
| 462 | NI00218  | cable tie                    | ALT-102SB                            |           |
| 463 | NI00501  | self-adhere foot cushion     | 12.7*9*3t(SF-004)                    |           |
| 464 | NI00246  | sleeve                       | $\phi$ 3*20mm                        |           |
| 465 | NI00243  | sleeve                       | $\phi$ 3*1000mm                      |           |
| 466 | HK06781  | PC board                     | CYCLONE PWR-DIP                      |           |
| 467 | CF00009  | metal-film capacitor MPF     | 0.0047uF/400V 10%                    | C109      |
| 468 | CG00056  | X2 capacitor                 | 0.47uF/275VAC                        | C101,C102 |
| 469 | CG00039  | X2 capacitor MPX             | 0.47Uf/275V VDE/UL/CSA L=8mm         | C1        |
| 470 | RA01454  | chassis bracket 5W           | 0.15 $\Omega$ $\pm$ 5% SQP           | R110      |
| 471 | RA00013  | metal-oxide-film resistor 1W | 150 $\Omega$ P type                  | R2        |
| 472 | RA00813  | metal-oxide-film resistor 1W | 220 $\Omega$ P type                  | R3,R4     |
| 473 | CB00073  | electrolytic capacitor       | 1000uF/35V $\phi$ 13*20mm            | C308,C311 |
| 474 | CB00218  | electrolytic capacitor       | 1000uF/63V $\phi$ 16*25mm            | C3,C304   |
| 475 | RH00005  | thermistor                   | 100 $\Omega$ (PTH9M04BH471TS2F333)   | PR1       |
| 476 | CB00050  | electrolytic capacitor       | 100uF/50V $\phi$ 8*11mm              | C315,C316 |
| 477 | CB00295  | electrolytic capacitor       | 820uF/180V $\phi$ 25*35              | C107,C108 |
| 478 | RA00319  | fixed resistor 1/4W          | 1.0 $\Omega$ M type                  | R302      |
| 479 | SA00107  | zener diode                  | 1W 15V 1N4744                        | D309      |
| 480 | SA00143  | zener diode                  | 1W 20V 1N4747A                       | D311,D314 |

| No. | Part No. | Description                  | Specification                     | Remark                          |
|-----|----------|------------------------------|-----------------------------------|---------------------------------|
| 481 | SA00163  | zener diode                  | 1W 24V                            | D315,D316                       |
| 482 | RA01227  | metal-oxide-film resistor 1W | 220KΩ P type                      | R5                              |
| 483 | RA00049  | metal-oxide-film resistor 2W | 22KΩ P type                       | R102,R103                       |
| 484 | SB00023  | power transistor             | 2SA1943-O                         | Q4                              |
| 485 | SB00021  | power transistor             | 2SC5200                           | Q3,Q5                           |
| 486 | CN00160  | inductance                   | 2.7mH φ0.7*28.5T                  | L101,L102                       |
| 487 | CB00084  | electrolytic capacitor       | 3300uF/50V φ22*35mm               | C305,C306                       |
| 488 | CB00139  | electrolytic capacitor       | 4.7uF/63V NP φ6.3*11mm            | C117                            |
| 489 | CB00276  | electrolytic capacitor       | 220uF/25V φ6.3*11mm 5mm           | C312,C314                       |
| 490 | CF00139  | metal-film capacitor MEF     | 0.047UF/400V 5%                   | C118,C119                       |
| 491 | CB00039  | electrolytic capacitor       | 47uF/25V φ5*11mm                  | C310,C313                       |
| 492 | CB00217  | electrolytic capacitor       | 470uF/50V φ10*20mm                | C2                              |
| 493 | CB00203  | electrolytic capacitor       | 47uF/35V φ5*11mm                  | C113,C114                       |
| 494 | SD00066  | integrated circuit           | L7812CV(TO-220)(ST)               | U2                              |
| 495 | SA00130  | diode                        | 1A/600V/35ns BYV26C               | D104,D105                       |
| 496 | SA00004  | high speed diode             | 2A/100V BYV27-200,113             | D103,D307,D305,D306,D313        |
| 497 | SB00147  | transistor                   | 2SC4382(TO-220)/(SANKEN)          | Q6,Q7,Q1                        |
| 498 | CB00033  | electrolytic capacitor       | 22uF/25V φ6*7mm                   | C122                            |
| 499 | HC00076  | connector(male)              | 2P 2.5mm 180°                     | J2                              |
| 500 | HC00079  | connector(male)              | 5P 2.5mm 180°                     | J3                              |
| 501 | HC00177  | connector(male)              | 5P 3.96mm 180°                    | J1                              |
| 502 | TC00333  | transformer-RS               | ETD39                             | TB1                             |
| 503 | SA00134  | diode                        | 6A/200V/35ns FE6D                 | D308,D310,D312                  |
| 504 | HC00324  | connect terminal             | 6.5m/m (PC250)                    | 115V,230V,AC1,AC2,COM,GND,P1,P2 |
| 505 | SD00122  | integrated circuit           | IR 2153                           | U3                              |
| 506 | SB00184  | transistor                   | 2SK2611(T)(TO3P)/(TOSHIBA)        | Q405B,Q406B                     |
| 507 | SA00007  | bridge rectifier             | 8A KBU-806 comb type              | D101                            |
| 508 | TC00334  | transformer-RS               | PT-XPK35P2001502A3_240V           | TP1                             |
| 509 | SB00130  | transistor                   | MPSA42/(PHILIPS)                  | Q401,Q403                       |
| 510 | SA00099  | rectifier diode              | MUR1520/STPR1520D                 | D301,D302,D303,D304             |
| 511 | RH00012  | thermistor                   | 10Ω S364(B57364-S100-M)           | R101                            |
| 512 | MI03520  | heat sink                    | CYCLONE-PWR 70*34.5*16.5_V1.0     |                                 |
| 513 | MI03116  | heat-sink                    | 5T*34.5*16.5*1M+5(1M/0.9KG)_V 1.0 |                                 |
| 514 | MI03519  | heat sink                    | CYCLONE-PWR 70*34.5*16.5_V1.0     |                                 |
| 515 | MI03116  | heat-sink                    | 5T*34.5*16.5*1M+5(1M/0.9KG)_V 1.0 |                                 |
| 516 | MI03518  | heat sink                    | CYCLONE-PWR 150*48*17_V1.0        |                                 |
| 517 | MI03517  | heat sink                    | CYCLONE-PWR 1000*50*17_V1.0       |                                 |
| 518 | MG00166  | screw                        | M3*10                             |                                 |
| 519 | MG00163  | screw                        | M3*8                              |                                 |
| 520 | MF00037  | washer                       | φ3.2*φ5.5*1t                      |                                 |
| 521 | NC00127  | mica                         | 22*28                             |                                 |
| 522 | NC00005  | mica                         | SB-9500DSP 18*13*0.1t_V1.0        |                                 |

| No. | Part No. | Description                  | Specification               | Remark                                  |
|-----|----------|------------------------------|-----------------------------|---|
| 523 | NI00863  | plastic washer               | TO220B                      |   |
| 524 | AC00179  | tin without lead             | M705E Sn 3Ag-0.5Cu          |   |
| 525 | HK06783  | PC board                     | CYCLONE PWR-SMD             |   |
| 526 | CI00100  | SMD ceramic capacitor 0805   | 0.1uF/50V X7R ±10%          | C5,C11,C12,C13,C112,C115,C116,C121,C123 |
| 527 | RD00032  | SMD fixed resistor 1/8W      | 10KΩ ±5% 0805               | R112,R118                               |
| 528 | RD00049  | SMD fixed resistor 1/8W      | 100KΩ ±5% 0805              | R121                                    |
| 529 | RD00036  | SMD fixed resistor 1/8W      | 18KΩ ±5% 0805               | R122                                    |
| 530 | SE00011  | SMD rectifier diode          | RLS4148 0.5A (LL-34)        | D106,D107,D108,D109                     |
| 531 | RD00523  | SMD fixed resistor 1/10W     | 22Ω ±5% 0805                | R105,R108                               |
| 532 | CI00146  | SMD ceramic capacitor 0805   | 0.22uF/50V X7R ±10%         | C124                                    |
| 533 | RD00038  | SMD fixed resistor 1/8W      | 22KΩ ±5% 0805               | R106,R109,R114,R116,R117,R119,R123      |
| 534 | RD00053  | SMD fixed resistor 1/8W      | 330KΩ ±5% 0805              | R115                                    |
| 535 | RD00235  | SMD precise resistor 1/8W    | 4.70KΩ ±1% 0805             | R1,R113                                 |
| 536 | RD00004  | SMD fixed resistor 1/8W      | 47Ω ±5% 0805                | R104                                    |
| 537 | RD00054  | SMD fixed resistor 1/8W      | 470KΩ ±5% 0805              | R120                                    |
| 538 | RD00507  | SMD precise resistor 1/8W    | 4.30Ω ±1% 0805              | R107                                    |
| 539 | AE00449  | solder material without lead | 9308/Sn Ag Cu               |   |
| 540 | RD00100  | SMD fixed resistor 1/10W     | 9.1KΩ ±5% 0603              | R111                                    |
| 541 | HB01979  | PCB-RS                       | PSM-300W_VER060421          |   |
| 542 | MG00041  | screw                        | M3*6                        |   |
| 543 | CG00030  | X1/Y2 capacitor              | 2200PF/400V Y5V ±20% Y2CAP  | C4,C6,C7,C8,C103,C104                   |
| 544 | CG00020  | X1/Y2 capacitor              | 4700PF Y5V X1-400V Y2-250V  | C105,C106                               |
| 545 | SB00129  | transistor                   | MPSA92(TO92)/(PHI)          | Q402,Q404                               |
| 546 | SB00148  | transistor                   | 2SA1668(TO-220)/(SANKEN)    | Q2                                      |
| 547 | SB00073  | transistor                   | 2N5550/2N5551               | Q407,Q411                               |
| 548 | SB00074  | transistor                   | 2N5401                      | Q408,Q409,Q410                          |
| 549 | CA00102  | ceramic capacitor            | 0.001uF Z5V                 | C120                                    |
| 550 | CB00040  | electrolytic capacitor       | 47uF/25V φ5*11mm            |   |
| 551 | CB00274  | electrolytic capacitor       | 470uF/35V φ10*20mm 5mm      | C301,C302,C303,C111                     |
| 552 | CB00253  | electrolytic capacitor       | 1000uF/16V φ10*16mm 5mm     | C307,C309                               |
| 553 | HA01920  | jump                         | 6mm                         | L1,L2,L3,L4                             |
| 554 | HA02249  | wire                         | φ0.6_Tin plated             |   |
| 555 | HK06784  | PC board                     | CYCLONE PWR-LED             |   |
| 556 | HB02012  | PCB-RS                       | PSM-300W-LED_VER060214      |   |
| 557 | RA00237  | fixed resistor 1/4W          | 7.5KΩ M type                | R4                                      |
| 558 | RA00362  | fixed resistor 1/8W          | 2.0KΩ M type                | R3                                      |
| 559 | RA00369  | fixed resistor 1/8W          | 3.0KΩ M type                | R1,R2                                   |
| 560 | HC00271  | connector(male)              | 5P 2.54mm 90°               | CN1                                     |
| 561 | SA00025  | L.E.D                        | φ5 circle green LX3310/F423 | LD1,LD2,LD3,LD4                         |
| 562 | AC00179  | tin without lead             | M705E Sn 3Ag-0.5Cu          |   |
| 563 | MH02001  | magnet                       | VDT17.5X9.5X12.7            |   |
| 564 | HI00120  | slide switch                 | L21-22A                     |   |

| No. | Part No. | Description        | Specification                  | Remark |
|-----|----------|--------------------|--------------------------------|--------|
| 565 | MC00837  | top cover-RS       | CYCLONE-PWR_V 1.0              |        |
| 566 | AE00055  | solvent            | solvent                        |        |
| 567 | AE00060  | paint              | 4534                           |        |
| 568 | MC00836  | top cover          | CYCLONE-PWR 1.2*190*208.5_V1.0 |        |
| 569 | MJ00059  | single light board | 1.2*2135*1220 24.54kg          |        |
| 570 | MG00027  | screw              | M3*12                          |        |

## CYCLONE 320

| No. | Part No. | Description        | Specification                          | Remark |
|-----|----------|--------------------|--|--------|
| 1   | MA05519  | panel              | CYCLONE240 ALTO left_V1.3              |        |
| 2   | MA05505  | panel              | CYCLONE240 left_V1.2                   |        |
| 3   | MA05504  | panel              | CYCLONE240 1.0t*189.75*535.2 left_V1.2 |        |
| 4   | MJ00058  | single light board | 1*2135*1220 20.45kg                    |        |
| 5   | ME00134  | iron pillar        | M3*2.8*0.5PH                           |        |
| 6   | AE00055  | solvent            | solvent                                |        |
| 7   | AE00235  | paint              | 5249                                   |        |
| 8   | MA05518  | panel              | CYCLONE240 ALTO_V1.3                   |        |
| 9   | MA05507  | panel              | CYCLONE240_V1.2                        |        |
| 10  | MA05506  | panel              | CYCLONE240 1.0t*184.5*535.2_V1.2       |        |
| 11  | MJ00058  | single light board | 1*2135*1220 20.45kg                    |        |
| 12  | ME00134  | iron pillar        | M3*2.8*0.5PH                           |        |
| 13  | AE00055  | solvent            | solvent                                |        |
| 14  | AE00235  | paint              | 5249                                   |        |
| 15  | MA05522  | panel              | CYCLONE320 ALTO_V1.3                   |        |
| 16  | MA05507  | panel              | CYCLONE240_V1.2                        |        |
| 17  | MA05506  | panel              | CYCLONE240 1.0t*184.5*535.2_V1.2       |        |
| 18  | MJ00058  | single light board | 1*2135*1220 20.45kg                    |        |
| 19  | ME00134  | iron pillar        | M3*2.8*0.5PH                           |        |
| 20  | AE00055  | solvent            | solvent                                |        |
| 21  | AE00235  | paint              | 5249                                   |        |
| 22  | MA05521  | panel              | CYCLONE320 ALTO right_V1.5             |        |
| 23  | MA05503  | panel              | CYCLONE240 right                       |        |
| 24  | MA05502  | panel              | CYCLONE240 1.0*244*535.2 right_V1.2    |        |
| 25  | MJ00058  | single light board | 1*2135*1220 20.45kg                    |        |
| 26  | AE00055  | solvent            | solvent                                |        |
| 27  | AE00235  | paint              | 5249                                   |        |
| 28  | MB04357  | chassis            | CYCLONE240 right_V1.0                  |        |
| 29  | MB04344  | rear board         | CYCLONE240 right_V1.1                  |        |
| 30  | MB04343  | rear board-RS      | CYCLONE240 1.0t*152.6*188.25_V1.2      |        |
| 31  | MJ00058  | single light board | 1*2135*1220 20.45kg                    |        |
| 32  | ME00134  | iron pillar        | M3*2.8*0.5PH                           |        |
| 33  | AE00055  | solvent            | solvent                                |        |
| 34  | AE00235  | paint              | 5249                                   |        |
| 35  | MB04358  | chassis            | CYCLONE320_V1.3                        |        |
| 36  | MB04329  | rear board         | CYCLONE320                             |        |
| 37  | MB04328  | rear board-RS      | CYCLONE320 1.0t*152.6*184.5*12_V1.2    |        |
| 38  | MJ00058  | single light board | 1*2135*1220 20.45kg                    |        |
| 39  | ME00134  | iron pillar        | M3*2.8*0.5PH                           |        |
| 40  | AE00055  | solvent            | solvent                                |        |
| 41  | AE00235  | paint              | 5249                                   |        |
| 42  | MB04359  | chassis            | CYCLONE320 left_V1.3                   |        |

| No. | Part No. | Description        | Specification                        | Remark                  |
|-----|----------|--------------------|--------------------------------------|-------------------------|
| 43  | MB04346  | rear board         | CYCLONE240                           |                         |
| 44  | MB04345  | rear board         | CYCLONE240 1.0t*152.6*429.75_V1.1    |                         |
| 45  | MJ00058  | single light board | 1*2135*1220 20.45kg                  |                         |
| 46  | AE00235  | paint              | 5249                                 |                         |
| 47  | AE00055  | solvent            | solvent                              |                         |
| 48  | MB04325  | rear board         | CYCLONE320 left_V1.2                 |                         |
| 49  | AE00055  | solvent            | solvent                              |                         |
| 50  | AE00235  | paint              | 5249                                 |                         |
| 51  | MB04324  | rear board         | CYCLONE320 1.0t*533.26*803 left_V1.3 |                         |
| 52  | MJ00058  | single light board | 1*2135*1220 20.45kg                  |                         |
| 53  | MB04327  | rear board         | CYCLONE320_V1.2                      |                         |
| 54  | AE00055  | solvent            | solvent                              |                         |
| 55  | MB04326  | rear board         | CYCLONE320 1.0t*89.1*803_V1.2        |                         |
| 56  | MJ00058  | single light board | 1*2135*1220 20.45kg                  |                         |
| 57  | MI03555  | holder             | CYCLONE320 21.15*26.3*803_V 1.0      |                         |
| 58  | AE00177  | paint              | 4866                                 |                         |
| 59  | MI02966  | bracket            | CYCLONE320 21.15*26.3*803_V1.2       |                         |
| 60  | MI03574  | bracket            | CYCLONE320 21.15*26.3*803_V 1.0      |                         |
| 61  | MI03556  | holder             | CYCLONE320 25.52*51.45*803_V 1.0     |                         |
| 62  | AE00177  | paint              | 4866                                 |                         |
| 63  | MI02965  | bracket            | CYCLONE320 25.52*51.45*803_V1.1      |                         |
| 64  | MI03575  | bracket            | CYCLONE320 25.52*51.45*803_V 1.0     |                         |
| 65  | MI03557  | handle             | CYCLONE320 35*45.25*803_V 1.0        |                         |
| 66  | AE00177  | paint              | 4866                                 |                         |
| 67  | MI02964  | handle             | CYCLONE320 35*45.25*803_V1.1         |                         |
| 68  | MI03576  | handle             | CYCLONE320 35*45.25*803_V 1.0        |                         |
| 69  | MI02967  | fixed bracket      | CYCLONE320 27.76*41.37*803_V1.2      |                         |
| 70  | MJ00063  | iron board         | 1.2*2135*1220 24.54kg                |                         |
| 71  | MI02988  | fixed bracket      | CYCLONE320 1.2t*22*35.88*803_V1.2    |                         |
| 72  | MJ00063  | iron board         | 1.2*2135*1220 24.54kg                |                         |
| 73  | MJ01288  | side cover board   | CYCLONE160 right_V1.0                |                         |
| 74  | MJ01287  | side cover board   | CYCLONE160 3*131.5*737.1 right_V1.0  |                         |
| 75  | MJ00057  | AL plate-RS        | 3.0t*2000*1000mm 16.32kg             |                         |
| 76  | AE00177  | paint              | 4866                                 |                         |
| 77  | MJ01290  | side cover board   | CYCLONE160 left_V1.0                 |                         |
| 78  | MJ01289  | side cover board   | CYCLONE160 3*131.5*737.1 left_V1.0   |                         |
| 79  | MJ00057  | AL plate-RS        | 3.0t*2000*1000mm 16.32kg             |                         |
| 80  | AE00177  | paint              | 4866                                 |                         |
| 81  | MI02951  | fixed bracket      | CYCLONE160 7.5*31.6*420_V1.0         |                         |
| 82  | MJ00063  | iron board         | 1.2*2135*1220 24.54kg                |                         |
| 83  | HK06605  | PC board           | P-CYCLONE-MONO_PU-DIP                |                         |
| 84  | HC00504  | connector(male)    | 10P 2.54mm 180°                      | J1,J2,J3,J4,J5,J6,J7,J8 |

| No. | Part No. | Description                  | Specification                         | Remark  |
|-----|----------|------------------------------|---------------------------------------|---|
| 85  | HC00371  | MIC jack                     | SCJ-0658-1-Y                          | J1_3,J2_3,J3_3,J4_3,J5_3,J6_3,J7_3,J8_3   |
| 86  | HC00125  | MIC jack-RS                  | JY-6351G-02-250                       | J1_2,J2_2,J3_2,J4_2,J5_2,J6_2,J7_2,J8_2   |
| 87  | HC00126  | balance MIC jack-RS          | JY-5042-030G female plug 180°         | J1_1,J2_1,J3_1,J4_1,J5_1,J6_1,J7_1,J8_1   |
| 88  | AC00179  | tin without lead             | M705E Sn 3Ag-0.5Cu                    |   |
| 89  | HK06607  | PC board                     | P-CYCLONE-MONO_PU-SMD                 |   |
| 90  | RD00088  | SMD fixed resistor 1/10W     | 2.2KΩ ±5% 0603                        | R1_2,R2_2,R3_2,R4_2,R5_2,R6_2,R7_2,R8_2   |
| 91  | RD00030  | SMD fixed resistor 1/8W      | 6.8KΩ ±5% 0805                        | R1_1,R1_3,R2_1,R2_3,R3_1,R3_3,R4_1,R4_3,<br>R5_1,R5_3,R6_1,R6_3,R7_1,R7_3,R8_1,R8_3   |
| 92  | RD00214  | SMD precise resistor 1/10W   | 10.0KΩ ±1% 0603                       | R1_6,R1_7,R2_6,R2_7,R3_6,R3_7,R4_6,<br>R4_7,R5_6,R5_7,R6_6,R6_7,R7_6,R7_7,<br>R8_6,R8_7   |
| 93  | RD00224  | SMD precise resistor 1/10W   | 100KΩ ±1% 0603                        | R1_4,R1_5,R2_4,R2_5,R3_4,R3_5,R4_4,R4_5,<br>R5_4,R5_5,R6_4,R6_5,R7_4,R7_5,R8_4,R8_5   |
| 94  | AE00449  | solder material without lead | 9308/Sn Ag Cu                         |   |
| 95  | HK06606  | PC board                     | P-CYCLONE-MONO_PU-AI                  |   |
| 96  | CB00194  | electrolytic capacitor       | 47uF/25V φ5*11mm                      | C1_3,C1_4,C1_5,C1_6,C2_3,C2_4,C2_5,<br>C2_6,C3_3,C3_4,C3_5,C3_6,C4_3,C4_4,<br>C4_5,C4_6,C5_3,C5_4,C5_5,C5_6,C6_3,<br>C6_4,C6_5,C6_6,C7_3,C7_4,C7_5,C7_6,<br>C8_3,C8_4,C8_5,C8_6   |
| 97  | CB00249  | electrolytic capacitor       | 47uF/50V φ6.3*11mm 2.5mm              | C1_1,C1_2,C2_1,C2_2,C3_1,C3_2,C4_1,<br>C4_2,C5_1,C5_2,C6_1,C6_2,C7_1,C7_2,<br>C8_1,C8_2   |
| 98  | AC00179  | tin without lead             | M705E Sn 3Ag-0.5Cu                    |   |
| 99  | HB01988  | PCB-RS                       | MONO_PU_VER051021                     |   |
| 100 | HK06707  | PC board                     | P-CYCLONE-MONO_BOARD-DIP              |   |
| 101 | RC00483  | potentiometer(dual unit)     | C50KΩ RD09K12CZ028-50K15C*2(SAS1);30F | R1_50,R1_53,R2_50,R2_53,R3_50,R3_53<br>R4_50,R4_53,R5_50,R5_53,R6_50,R6_53,<br>R7_50,R7_53,R8_50,R8_53  |
| 102 | RC00530  | potentiometer                | B20KΩ RD09K12CZ031-20K3Bx2(SAS);30F-C | R1_61,R1_62,R1_63,R1_64,R1_65,R1_66,R<br>2_61,R2_62,R2_63,R2_64,R2_65,R2_66,R3<br>_61,R3_62,R3_63,R3_64,R3_65,R3_66,R4<br>_61,R4_62,R4_63,R4_64,R4_65,R4_66,R5_6<br>1,R5_62,R5_63,R5_64,R5_65,R5_66,R6_61,<br>R6_62,R6_63,R6_64,R6_65,R6_66,R7_61,R<br>7_62,R7_63,R7_64,R7_65,R7_66,R8_61,R8<br>_62,R8_63,R8_64,R8_65,R8_66 |
| 103 | RC00393  | slide potentiometer          | A10KΩ RFA0S11G6006-10KA(AA)           | R1_2,R2_2,R3_2,R4_2,R5_2,R6_2,R<br>7_2,R8_2   |
| 104 | RC00429  | potentiometer                | B10KΩ RK09K113Z111-10K2B(SAS1);30F-C  | R1_1,R2_1,R3_1,R4_1,R5_1,R6_1,R<br>7_1,R8_1   |
| 105 | RC00358  | potentiometer                | B50KΩ-RD09F113A223-50K2BT(SAS1);30F-C | R1_47,R1_49,R1_52,R1_55,R2_47,R2_49,R2<br>_52,R2_55,R3_47,R3_49,R3_52,R3_55,R4_47,R<br>4_49,R4_52,R4_55,R5_47,R5_49,R5_52,R5_5<br>5,R6_47,R6_49,R6_52,R6_55,R7_47,R7_49,R7<br>_52,R7_55,R8_47,R8_49,R8_52,R8_55   |
| 106 | RC00356  | potentiometer                | Z10KΩ RD09F1130042-10KZ(SAS1);30F     | R1_56,R2_56,R3_56,R4_56,R5_56,R<br>6_56,R7_56,R8_56   |
| 107 | SB00062  | transistor                   | BC337-25                              | Q1_1,Q3_1,Q5_1,Q7_1,Q8,Q18,Q19,Q20  |
| 108 | SA00052  | L.E.D                        | φ3 round(green)long foot 26           | D1_2,D2_2,D3_2,D4_2,D5_2,D6_2,D7_2,D8_2   |
| 109 | SA00053  | L.E.D                        | φ3 round(red)long foot 26mm           | D1_1,D1_5,D1_6,D1_7,D1_8,D2_1,D2_5,<br>D2_6,D2_7,D2_8,D3_1,D3_5,D3_6,D3_7,<br>D3_8,D4_1,D4_5,D4_6,D4_7,D4_8,D5_1,<br>D5_5,D5_6,D5_7,D5_8,D6_1,D6_5,D6_6,<br>D6_7,D6_8,D7_1,D7_5,D7_6,D7_7,D7_8,<br>D8_1,D8_5,D8_6,D8_7,D8_8   |
| 110 | SA00071  | L.E.D                        | φ3 green LVG2340/A                    | D1_4,D2_4,D3_4,D4_4,D5_4,D6_4,D7_4,D8_4   |



| No. | Part No. | Description                  | Specification                       | Remark  |
|-----|----------|------------------------------|-------------------------------------|---|
| 111 | SA00072  | L.E.D                        | φ3 red LI2340/A                     | D1_3,D2_3,D3_3,D4_3,D5_3,D6_3,D7_3,D8_3   |
| 112 | NI01773  | LED spacer support           | LEDS-13                             |   |
| 113 | NI02384  | LED spacer support           | LEDS-4 4mm                          |   |
| 114 | HI00237  | push-button switch-RS        | 2stage 12P PS-13422R(SELF-LOCK)     | S1_1,S1_5,S2_1,S2_5,S3_1,S3_5,S4_1,S4_5,S5_1,S5_5,S6_1,S6_5,S7_1,S7_5,S8_1,S8_5   |
| 115 | HI00236  | push-button switch-RS        | 2-stage 6P PS-9226A(SELF-LOCK)      | S1_2,S1_3,S1_4,S1_6,S1_7,S1_8,S2_2,S2_3,S2_4,S2_6,S2_7,S2_8,S3_2,S3_3,S3_4,S3_6,S3_7,S3_8,S4_2,S4_3,S4_4,S4_6,S4_7,S4_8,S5_2,S5_3,S5_4,S5_6,S5_7,S5_8,S6_2,S6_3,S6_4,S6_6,S6_7,S6_8,S7_2,S7_3,S7_4,S7_6,S7_7,S7_8,S8_2,S8_3,S8_4,S8_6,S8_7,S8_8 |
| 116 | HC00626  | connector                    | 2.5 180° 1*15P B24-1*15BG1(A)H5     | H1_1,H2_1,H3_1,H4_1,H5_1,H6_1,H7_1,H8_1   |
| 117 | HC00339  | connect terminal             | 6.5m/m (PCF250)                     | J13   |
| 118 | HC00883  | connector(male)-RS           | 2P 2.0mm 180°(A2004WV-2*2P)         | J8  |
| 119 | HC00884  | connector(male)-RS           | 5P 2.0mm 180°(A2004WV-2*5P)         | J10   |
| 120 | HC00885  | connector(male)-RS           | 7P 2.0mm 180°(A2004WV-2*7P)         | J6  |
| 121 | HC00887  | connector(male)-RS           | 10P 2.0mm 180°(A2004WV-2*10P)       | J9  |
| 122 | HC00888  | connector(male)-RS           | 14P 2.0mm 180°(A2004WV-2*14P)       | J5  |
| 123 | HA04570  | wire-RS                      | 10P-10P 120mm UL2651 28AWG PH1.27mm | J1_1,J2_1,J3_1,J4_1,J5_1,J6_1,J7_1,J8_1   |
| 124 | HK02084  | PC board                     | P-MONO_PRE_60dB_REV03-DIP           |   |
| 125 | HC00717  | connector                    | 2.54 180° 15P 16.5 2.5/5/9mm        | CON1  |
| 126 | HK02085  | PC board                     | P-MONO_PRE_60dB_REV03-SMD           |   |
| 127 | RD00116  | SMD fixed resistor 1/10W     | 100KΩ ±5% 0603                      | R33   |
| 128 | CI00075  | SMD ceramic capacitor 0603   | 0.1uF/50V Y5V +80,-20%              | C6,C7,C23,C24   |
| 129 | RD00101  | SMD fixed resistor 1/10W     | 10KΩ ±5% 0603                       | R24,R25,R27,R28   |
| 130 | RD00214  | SMD precise resistor 1/10W   | 10.0KΩ ±1% 0603                     | R22,R23   |
| 131 | CI00071  | SMD ceramic capacitor 0603   | 0.01uF/50V X7R ±10%                 | C10,C11   |
| 132 | RD00201  | SMD precise resistor 1/10W   | 1.50KΩ ±1% 0603                     | R31,R32   |
| 133 | CI00065  | SMD ceramic capacitor 0603   | 0.001uF/50V X7R ±10%                | C16,C17   |
| 134 | RD00306  | SMD fixed resistor 1/10W     | 20KΩ ±5% 0603                       | R4,R5,R7  |
| 135 | RD00204  | SMD precise resistor 1/10W   | 2.49KΩ ±1% 0603                     | R9,R10,R11,R12,R13,R14,R15  |
| 136 | CI00062  | SMD ceramic capacitor 0603   | 330PF/50V NPO ±5 %                  | C9  |
| 137 | SF00053  | transistor                   | MMBT3906(SOT-23)/(PHI)              | TR4,TR1,TR2,TR3   |
| 138 | RD00078  | SMD fixed resistor 1/10W     | 470Ω ±5% 0603                       | R16,R17   |
| 139 | RD00355  | SMD fixed resistor 1/10W     | 4.7Ω ±5% 0603                       | R3  |
| 140 | RD00210  | SMD precise resistor 1/10W   | 5.11KΩ ±1% 0603                     | R18,R19,R20,R21   |
| 141 | RD00097  | SMD fixed resistor 1/10W     | 6.8KΩ ±5% 0603                      | R29,R30   |
| 142 | SE00028  | SMD rectifier diode          | BAS316,115                          | D1  |
| 143 | HB01400  | PCB                          | MONO_PRE_60dB_ALTO_REV04            |   |
| 144 | AE00449  | solder material without lead | 9308/Sn Ag Cu                       |   |
| 145 | SE00011  | SMD rectifier diode          | RLS4148 0.5A (LL-34)                | D2,D3,D4,D5   |
| 146 | RD00065  | SMD fixed resistor 1/10W     | 47Ω ±5% 0603                        | R1,R2   |

| No. | Part No. | Description                   | Specification                    | Remark   |
|-----|----------|-------------------------------|----------------------------------|--|
| 147 | CI00266  | SMD ceramic capacitor-RS 0603 | 22PF/50V NPO $\pm 5\%$           | C8,C12,C13,C14,C15   |
| 148 | SG00122  | SMD integrated circuit        | NJM4580M-TE3                     | U1,U2,U3   |
| 149 | SB00175  | transistor                    | 2SA970-BL(TE2;T)                 | TR5,TR6  |
| 150 | AC00179  | tin without lead              | M705E Sn 3Ag-0.5Cu               |  |
| 151 | ND00083  | EV foam                       | 10*25*5                          |  |
| 152 | MI02952  | fixed bracket                 | CYCLONE160 7*7.5*164 L type_V1.0 |  |
| 153 | MJ00061  | iron board                    | 1*2135*1220 20.45kg              |  |
| 154 | MG00199  | screw                         | M3*4                             |  |
| 155 | AC00179  | tin without lead              | M705E Sn 3Ag-0.5Cu               |  |
| 156 | HK06700  | PC board                      | P-CYCLONE-MONO_BOARD-SMD         |  |
| 157 | RD00006  | SMD fixed resistor 1/8W       | 100 $\Omega$ $\pm 5\%$ 0805      | R1_69,R3_69,R5_69,R7_69,R43,R640,R647,R648   |
| 158 | RD00068  | SMD fixed resistor 1/10W      | 100 $\Omega$ $\pm 5\%$ 0603      | R10,R633,R634,R635,R636,R637,R638,R639   |
| 159 | RD00079  | SMD fixed resistor 1/10W      | 560 $\Omega$ $\pm 5\%$ 0603      | R1_48,R1_75,R2_48,R2_75,R3_48,R3_75,R4_48,R4_75,R5_48,R5_75,R6_48,R6_75,R7_48,R7_75,R8_48,R8_75  |
| 160 | RD00083  | SMD fixed resistor 1/10W      | 1.0K $\Omega$ $\pm 5\%$ 0603     | R454,R455,R456,R457,R458,R459,R460,R461,R462,R463,R464,R465,R466,R467,R468,R469,R470,R471,R472,R473,R474,R475,R476,R477,R478,R479,R480,R481,R482,R483,R484,R485  |
| 161 | RD00089  | SMD fixed resistor 1/10W      | 2.7K $\Omega$ $\pm 5\%$ 0603     | R391,R392,R393,R394,R395,R396,R397,R398,R399,R400,R401,R402,R403,R404,R405,R406,R407,R408,R409,R410,R411,R412,R413,R414,R415,R416,R417,R418,R419,R420,R421,R422  |
| 162 | RD00093  | SMD fixed resistor 1/10W      | 4.7K $\Omega$ $\pm 5\%$ 0603     | R1_10,R2_10,R3_10,R4_10,R5_10,R6_10,R7_10,R8_10  |
| 163 | RD00094  | SMD fixed resistor 1/10W      | 5.1K $\Omega$ $\pm 5\%$ 0603     | R1_12,R1_7,R1_8,R2_12,R2_7,R2_8,   |
| 164 | RD00095  | SMD fixed resistor 1/10W      | 5.6K $\Omega$ $\pm 5\%$ 0603     | R29,R486,R487,R488,R489,R490,R4  |
| 165 | RD00099  | SMD fixed resistor 1/10W      | 8.2K $\Omega$ $\pm 5\%$ 0603     | R16,R328,R329,R330,R331,R332,R333,R334,R335,R336,R337,R338,R339,R340,R341,R342,R343,R344,R345,R346,R347,R348,R349,R350,R351,R352,R353,R354,R355,R356,R357,R358,R359,R360,R361,R362,R363,R364,R365,R366,R367,R368,R369,R370,R371,R372,R373,R374,R375,R376,R377,R378,R379,R380,R381,R382,R383,R384,R385,R386,R387,R388,R389,R390 |
| 166 | RD00102  | SMD fixed resistor 1/10W      | 12K $\Omega$ $\pm 5\%$ 0603      | R1_6,R2_6,R3_6,R4_6,R5_6,R6_6,R  |
| 167 | RD00103  | SMD fixed resistor 1/10W      | 15K $\Omega$ $\pm 5\%$ 0603      | R21,R564,R565,R566,R567,R568,R569,R645   |
| 168 | RD00306  | SMD fixed resistor 1/10W      | 20K $\Omega$ $\pm 5\%$ 0603      | R1_23,R3_23,R5_23,R7_23,R44,R260,R261,R641   |
| 169 | RD00108  | SMD fixed resistor 1/10W      | 33K $\Omega$ $\pm 5\%$ 0603      | R1_40,R1_51,R2_40,R2_51,R3_40,R3_51,R4_40,R4_51,R5_40,R5_51,R6_40,R6_51,R7_40,R7_51,R8_40,R8_51  |
| 170 | RD00115  | SMD fixed resistor 1/10W      | 82K $\Omega$ $\pm 5\%$ 0603      | R548,R549,R550,R551,R552,R553,R554,R555,R556,R557,R558,R559,R560,R561,R562,R563  |
| 171 | CI00096  | SMD ceramic capacitor 0603    | 560PF/50V NPO $\pm 5\%$          | C217,C218,C219,C220,C221,C222,C223,C224  |
| 172 | CI00069  | SMD ceramic capacitor 0603    | 0.0033uF/50V X7R $\pm 10\%$      | C201,C202,C203,C204,C205,C206,C207,C208,C209,C210,C211,C212,C213,C214,C215,C216  |

| No. | Part No. | Description                | Specification                        | Remark   |
|-----|----------|----------------------------|--------------------------------------|--|
| 173 | CI00051  | SMD ceramic capacitor 0603 | 22PF/50V C0G±5%(C1608C0G1H220JT)/TDK | C1_21,C1_22,C1_23,C2_21,C2_22,C2_23,C3_21,C3_22,C3_23,C4_21,C4_22,C4_23,C5_21,C5_22,C5_23,C6_21,C6_22,C6_23,C7_21,C7_22,C7_23,C8_18,C8_22,C8_23,C47,C48,C49,C50,C55,C56,C57,C58,C63,C64,C65,C66,C71,C72,C73,C74,C79,C80,C81,C82,C87,C88,C89,C90,C95,C96,C97,C98,C103,C104,C105,C106  |
| 174 | RD00101  | SMD fixed resistor 1/10W   | 10KΩ ±5% 0603                        | R4_34,R4_35,R4_36,R4_37,R4_4,R4_59,R4_60,R4_70,R4_71,R4_72,R4_73,R5_15,R5_16,R5_17,R5_18,R5_19,R5_20,R5_24,R5_25,R5_26,R5_27,R5_28,R5_29,R5_3,R5_32,R5_33,R5_34,R5_35,R5_36,R5_37,R5_4,R5_59,R5_60,R5_70,R5_71,R5_72,R5_73,R6_15,R6_16,R6_17,R6_18,R6_19,R6_20,R6_24,R6_25,R6_26,R6_27,R6_28,R6_29,R6_3,R6_32,R6_33,R6_34,R6_35,R6_36,R6_37,R6_4,R6_59,R6_60,R6_70,R6_71,R6_72,R6_73,R7_15,R7_16,R7_17,R7_18,R7_19,R7_20,R7_24,R7_25,R7_26,R7_27,R7_28,R7_29,R7_3,R7_32,R7_33,R7_34,R7_35,R7_36,R7_37,R7_4,R7_59,R7_60,R7_70,R7_71,R7_72,R7_73,R8_15,R8_16,R8_17,R8_18,R8_19,R8_20,R8_24,R8_25,R8_26,R8_27,R8_28,R8_29,R8_3,R8_32,R8_33,R8_34,R8_35,R8_36,R8_37,R8_4,R8_59,R8_60,R8_70,R8_71,R8_72,R8_73,R9,R170,R177,R181,R182,R183,R187,R191,R192,R193,R197,R201,R202,R203,R207,R211,R212,R213,R217,R221,R222,R223,R227,R231,R232,R233,R237,R241,R242,R243 |
| 175 | RD00116  | SMD fixed resistor 1/10W   | 100KΩ ±5% 0603                       | R1,R1_13,R1_14,R1_22,R1_57,R1_58,R1_74,R1_76,R1_77,R1_78,R2_13,R2_14,R2_22,R2_57,R2_58,R2_74,R2_76,R2_77,R2_78,R3_13,R3_14,R3_22,R3_57,R3_58,R3_74,R3_76,R3_77,R3_78,R4_13,R4_14,R4_22,R4_57,R4_58,R4_74,R4_76,R4_77,R4_78,R5_13,R5_14,R5_22,R5_57,R5_58,R5_74,R5_76,R5_77,R5_78,R6_6,R6_13,R6_14,R6_22,R6_57,R6_58,R6_74,R6_76,R6_77,R6_78,R7_13,R7_14,R7_22,R7_57,R7_58,R7_74,R7_76,R7_77,R7_78,R8_13,R8_14,R8_22,R8_57,R8_58,R8_74,R8_76,R8_77,R8_78,R279,R280,R283,R284,R286,R287,R288,R290,R291,R293,R294,R295,R297,R298,R300,R301,R302,R304,R305,R307,R308,R309,R311,R312,R313,R314,R315,R317,R318,R320,R321,R322,R323,R324,R325,R326,R327   |
| 176 | RD00118  | SMD fixed resistor 1/10W   | 150KΩ ±5% 0603                       | R28,R423,R424,R425,R426,R427,R428,R429,R430,R431,R432,R433,R434,R435,R436,R437   |
| 177 | CI00093  | SMD ceramic capacitor 0603 | 0.015uF/50V X7R ±10%                 | C187,C188,C189,C190,C191,C192,C193,C194,C195,C196,C197,C198,C199,C200  |
| 178 | CI00072  | SMD ceramic capacitor 0603 | 0.022uF/50V X7R ±10%                 | C225,C226,C227,C228,C229,C230,C231,C232  |
| 179 | CI00075  | SMD ceramic capacitor 0603 | 0.1uF/50V Y5V +80,-20%               | C1_13,C1_14,C1_15,C1_16,C2_13,C2_14,C2_15,C2_16,C3_13,C3_14,C3_15,C3_16,C4_4,C4_13,C4_14,C4_15,C4_16,C5_13,C5_14,C5_15,C5_16,C6_13,C6_14,C6_15,C6_16,C7_13,C7_14,C7_15,C7_16,C8_13,C8_14,C8_15,C8_16,C117,C118,C123,C124,C129,C130,C135,C136,C139,C140,C141,C142,C143,C144,C147,C148,C153,C154,C159,C160,C165,C166,C169,C170,C171,C172,C173,C174,C175,C176,C233,C234,C235,C236,C237,C238,C239,C240,C241,C242,C243,C244,C245,C246,C247,C248,C249,C250,C251,C252,C253,C254,C255,C256,C257,C258,C259,C260,C261,C262,C263,C264,C265,C266,C267,C268,C269,C270,C271,C272,C273,C274,C275,C276,C277,C278,C279,C280   |
| 180 | SE00011  | SMD rectifier diode        | RLS4148 0.5A (LL-34)                 | D1_10,D1_9,D3_10,D3_9,D5_10,D5_9,D7,D7_10,D7_9,D8,D27,D28,D29,D30,D31,D32  |
| 181 | SF00053  | transistor                 | MMBT3906(SOT-23)/(PHI)               | Q1_2,Q1_3,Q2_2,Q2_3,Q3_2,Q3_3,Q4_2,Q4_3,Q5_2,Q5_3,Q6_2,Q6_3,Q7_2,Q7_3,Q8_2,Q8_3  |

| No. | Part No. | Description                  | Specification                 | Remark   |
|-----|----------|------------------------------|-------------------------------|--|
| 182 | SG00122  | SMD integrated circuit       | NJM4580M-TE3                  | U1_1,U1_2,U2_1,U2_2,U3_1,U3_2,U4,U4_1,U4_2,U5,U5_1,U5_2,U6,U6_1,U6_2,U7,U7_1,U7_2,U8,U8_1,U8_2,U9,U10,U11,U15,U16,U17,U18,U22,U23,U24,U25,U29,U30,U31,U32,U36,U37,U38,U39,U43,U44,U45,U46,U50,U51,U52,U53,U57,U58,U59,U60,U61,U62,U63,U64  |
| 183 | AE00449  | solder material without lead | 9308/Sn Ag Cu                 |  |
| 184 | HK06706  | PC board                     | P-CYCLONE-MONO_BOARD-AI       |  |
| 185 | CB00069  | electrolytic capacitor       | 1000uF/6.3V $\phi$ 8*11mm     | C1_18,C2_18,C3_18,C4_18,C5_18,C6_18,C7_18,C8_19  |
| 186 | CB00194  | electrolytic capacitor       | 47uF/25V $\phi$ 5*11mm        | C1_1,C1_2,C1_3,C1_6,C1_7,C1_8,C1_17,C1_19,C1_20,C2_1,C2_2,C2_3,C2_6,C2_7,C2_8,C2_17,C2_19,C2_20,C3_1,C3_2,C3_3,C3_6,C3_7,C3_8,C3_17,C3_19,C3_20,C4_1,C4_2,C4_3,C4_6,C4_7,C4_8,C4_17,C4_19,C4_20,C5_1,C5_2,C5_3,C5_6,C5_7,C5_8,C5_17,C5_19,C5_20,C6_1,C6_2,C6_3,C6_6,C6_7,C6_8,C6_17,C6_19,C6_20,C7_1,C7_2,C7_3,C7_6,C7_7,C7_8,C7_17,C7_19,C7_20,C8_1,C8_2,C8_3,C8_6,C8_7,C8_8,C8_17,C8_21,C8_20            |
| 187 | HA01933  | jump                         | 2.5mm                         | C1_10,C2_10,C3_10,C4_10,C5_10,C6_10,C7_10,C8_10  |
| 188 | AC00179  | tin without lead             | M705E Sn 3Ag-0.5Cu            |  |
| 189 | HB01993  | PCB-RS                       | MONO_BOARD_VER060215          |  |
| 190 | HK06608  | PC board                     | P-CYCLONE-STEREO_PU-DIP       |  |
| 191 | HC00610  | connector(male)              | 10P 2.54mm 90°                | J33,J34,J35,J36  |
| 192 | HC00371  | MIC jack                     | SCJ-0658-1-Y                  | J2,J3  |
| 193 | HC00125  | MIC jack-RS                  | JY-6351G-02-250               | J9_2,J9_3,J10_2,J10_3,J11_2,J11_3,J12_2,J12_3,J5,J6,J7,J8,J9,J10,J11,J12,J15,J16,J17,J18,J20,J21,J22,J23,J24,J25,J26,J27   |
| 194 | HC00403  | RCA jack                     | SCP6873NS3232T2 4P            | J19  |
| 195 | HC00339  | connect terminal             | 6.5m/m (PCF250)               | J32  |
| 196 | HC00885  | connector(male)-RS           | 7P 2.0mm 180°(A2004WV-2*7P)   | J28,J29,J30  |
| 197 | HC00126  | balance MIC jack-RS          | JY-5042-030G female plug 180° | J9_1,J10_1,J11_1,J12_1   |
| 198 | HC00392  | balance MIC jack-RS          | JY-5030-030G 180°             | J1,J4  |
| 199 | AC00179  | tin without lead             | M705E Sn 3Ag-0.5Cu            |  |
| 200 | HK06610  | PC board                     | P-CYCLONE-STEREO_PU-SMD       |  |
| 201 | RD00068  | SMD fixed resistor 1/10W     | 100 $\Omega$ $\pm$ 5% 0603    | R17,R62,R64,R66,R68,R70,R72,R74,R76,R78,R80,R81,R85,R93,R94,R95,R97,R98,R99,R100,R101,R102,R103,R104,R105,R106,R107,R108   |
| 202 | RD00083  | SMD fixed resistor 1/10W     | 1.0K $\Omega$ $\pm$ 5% 0603   | R57,R60  |
| 203 | RD00088  | SMD fixed resistor 1/10W     | 2.2K $\Omega$ $\pm$ 5% 0603   | R9_2,R10_2,R11_2,R12_2   |
| 204 | RD00214  | SMD precise resistor 1/10W   | 10.0K $\Omega$ $\pm$ 1% 0603  | R5,R6,R7,R8,R9,R9_8,R9_9,R9_10,R9_11,R9_12,R9_13,R9_15,R9_16,R10,R10_8,R10_9,R10_10,R10_11,R10_12,R10_13,R10_15,R10_16,R11_8,R11_9,R11_10,R11_11,R11_12,R11_13,R11_15,R11_16,R12_8,R12_9,R12_10,R12_11,R12_12,R12_13,R12_15,R12_16,R13,R14,R15,R16,R18,R19,R20,R21,R22,R23,R25,R26,R27,R28,R29,R30,R31,R32,R33,R34,R35,R36,R37,R38,R40,R41,R45,R46,R47,R48,R49,R51,R59,R83,R84,R87,R88,R89,R90,R91,R92,R96 |
| 205 | RD00105  | SMD fixed resistor 1/10W     | 22K $\Omega$ $\pm$ 5% 0603    | R56,R58  |

| No. | Part No. | Description                  | Specification                        | Remark  |
|-----|----------|------------------------------|--------------------------------------|---|
| 206 | RD00116  | SMD fixed resistor 1/10W     | 100KΩ ±5% 0603                       | R1,R2,R3,R4,R11,R12,R24,R39,R42,R43,R44,R50,R52,R53,R54,R55,R61,R63,R65,R67,R69,R71,R73,R75,R77,R79,R82,R86   |
| 207 | RD00030  | SMD fixed resistor 1/8W      | 6.8KΩ ±5% 0805                       | R9_1,R9_3,R10_1,R10_3,R11_1,R11_3,R12_1,R12_3   |
| 208 | CI00051  | SMD ceramic capacitor 0603   | 22PF/50V C0G±5%(C1608C0G1H220JT)/TDK | C9,C9_9,C9_10,C9_11,C9_12,C10,C10_9,C10_10,C10_11,C10_12,C11,C11_9,C11_10,C11_11,C11_12,C12,C12_9,C12_10,C12_11,C12_12,C29,C30,C31,C32,C37,C38,C39,C40,C45,C46,C49,C50  |
| 209 | CI00053  | SMD ceramic capacitor 0603   | 33PF/50V C0G±5%(C1608C0G1H330JT)/TDK | C15,C16,C17,C18,C19,C58,C59,C64   |
| 210 | CI00075  | SMD ceramic capacitor 0603   | 0.1uF/50V Y5V +80,-20%               | C9_14,C9_17,C10_14,C10_17,C11_14,C11_17,C12_14,C12_17,C66,C68,C81,C82,C83,C84,C85,C86,C87,C88   |
| 211 | SG00122  | SMD integrated circuit       | NJM4580M-TE3                         | U1,U2,U4,U5,U6,U7,U9_2,U10_2,U11_2,U12_2  |
| 212 | AE00449  | solder material without lead | 9308/Sn Ag Cu                        |   |
| 213 | HK06609  | PC board                     | P-CYCLONE-STEREO_PU-AI               |   |
| 214 | CB00194  | electrolytic capacitor       | 47uF/25V φ5*11mm                     | C9_5,C9_6,C9_7,C9_8,C10_5,C10_6,C10_7,C10_8,C11_5,C11_6,C11_7,C11_8,C12_5,C12_6,C12_7,C12_8,C1,C2,C3,C4,C5,C6,C7,C8,C13,C14,C20,C21,C22,C23,C24,C25,C26,C27,C28,C33,C34,C35,C36,C41,C42,C43,C44,C47,C48,C51,C52,C53,C54,C55,C56,C57,C60,C61,C62,C63,C65,C67,C69,C71,C73,C75,C77,C79 |
| 215 | CB00249  | electrolytic capacitor       | 47uF/50V φ6.3*11mm 2.5mm             | C9_1,C9_2,C10_1,C10_2,C11_1,C11_2,C12_1,C12_2   |
| 216 | AC00179  | tin without lead             | M705E Sn 3Ag-0.5Cu                   |   |
| 217 | HB01994  | PCB-RS                       | STEREO_PU_VER060215                  |   |
| 218 | HK06709  | PC board                     | P-CYCLONE-STEREO_BOARD-DIP           |   |
| 219 | SD00007  | integrated circuit           | BA15218N (M5218L substitute)         | U11,U29   |
| 220 | SB00175  | transistor                   | 2SA970-BL(TE2;T)                     | Q8,Q9   |
| 221 | SB00062  | transistor                   | BC337-25                             | Q1,Q2,Q3,Q9_1,Q10,Q11,Q13_1   |
| 222 | SA00052  | L.E.D                        | φ3 round(green)long foot 26          | D9_2,D11_2,D13_2,D15_2,D13,D14,D21,D22,D23,D24,D40,D41,D43,D57,D58,D78,D79,D80,D81,D82,D83  |
| 223 | SA00053  | L.E.D                        | φ3 round(red)long foot 26mm          | D9_1,D9_7,D9_8,D9_9,D9_10,D9_11,D11_1,D11_7,D11_8,D11_9,D11_10,D11_11,D13_1,D13_7,D13_8,D13_9,D13_10,D13_11,D15_1,D15_7,D15_8,D15_9,D15_10,D15_11,D55,D59   |
| 224 | SA00201  | L.E.D                        | φ5 red(LI3330/A)                     | D47   |
| 225 | SA00054  | L.E.D                        | 3m/m round(yellow)long foot 26       | D12,D20,D31,D32,D35,D36,D60,D61,D72,D73,D74,D75   |
| 226 | SA00071  | L.E.D                        | φ3 green LVG2340/A                   | D1,D2,D3,D4,D29,D30,D34,D38,D45,D9_4,D11_4,D13_4,D15_4  |
| 227 | SA00072  | L.E.D                        | φ3 red LI2340/A                      | D9_3,D11_3,D13_3,D15_3,D25,D26,D33,D37,D44  |
| 228 | NI01773  | LED spacer support           | LEDS-13                              |   |
| 229 | NI02384  | LED spacer support           | LEDS-4 4mm                           |   |
| 230 | NI01765  | LED spacer support           | LEDS-10 10mm                         |   |

| No. | Part No. | Description                   | Specification                           | Remark   |
|-----|----------|-------------------------------|---|--|
| 231 | RC00393  | slide potentiometer           | A10KΩ RFA0S11G6006-10KA(AA)             | R1,R2,R3,R4  |
| 232 | RC00395  | slide potentiometer-dual unit | A10K RFA0N12G6501-10KAx2(AA)            | R9_110,R11_110,R13_110,R15_110,R53   |
| 233 | RC00429  | potentiometer                 | B10KΩ RK09K113Z111-10K2B(SAS1);30F-C    | R9_109,R11_109,R13_109,R15_109,<br>R408,R410,R412,R434   |
| 234 | RC00428  | potentiometer                 | B20KΩ RK09K113Z115-20K2B(SAS1);30F-C    | R186,R187,R208,R209,R220,R221  |
| 235 | RC00530  | potentiometer                 | B20KΩ RD09K12CZ031-20K3Bx2(SAS);30F-C   | R9_26,R9_29,R9_32,R9_35,R9_38,R<br>9_44,R11_26,R11_29,R11_32,R11_3<br>5,R11_38,R11_44,R13_26,R13_29,R<br>13_32,R13_35,R13_38,R13_44,R15_<br>26,R15_29,R15_32,R15_35,R15_38,<br>R15_44,R132,R323,R327,R331,R334,<br>R344,R348,R352,R355,R365,R369,R<br>373,R376,R386,R390,R394,R397,R40<br>7,R409,R411,R413,R693,R694,R695,<br>R696,R697,R698,R699,R700 |
| 236 | RC00358  | potentiometer                 | B50KΩ-RD09F113A223-50K2BT(SAS1);30F-C   | R151   |
| 237 | RC00360  | potentiometer                 | B50KΩ RD12L12CA23A-50K3BT*2(SAS1);30F-C | R9_7,R9_20,R9_21,R9_22,R9_23,R11_7,<br>R11_20,R11_21,R11_22,R11_23,R13_7,R<br>13_20,R13_21,R13_22,R13_23,R15_7,R1<br>5_20,R15_21,R15_22,R15_23,R246,R247   |
| 238 | RC00356  | potentiometer                 | Z10KΩ RD09F1130042-10KZ(SAS1);30F       | R9_1,R11_1,R13_1,R15_1   |
| 239 | HC00626  | connector                     | 2.5 180° 1*15P B24-1*15BG1(A)H5         | H9_1,H11_1,H13_1,H15_1   |
| 240 | HC00339  | connect terminal              | 6.5m/m (PCF250)                         | J21  |
| 241 | HI00237  | push-button switch-RS         | 2stage 12P PS-13422R(SELF-LOCK)         | S1,S3,S6,S9,S11,S13,S16,S20,S21,S22,S<br>23,S24,S25,S26,S27,S28,S29,S30,S31,S3<br>5,S36,S39,S40,S41,S46,S56,S9_5,S9_6,S<br>9_9,S11_5,S11_6,S11_9,S13_5,S13_6,S1<br>3_9,S15_5,S15_6,S15_9   |
| 242 | HI00236  | push-button switch-RS         | 2-stage 6P PS-9226A(SELF-LOCK)          | S2,S4,S5,S7,S8,S10,S12,S14,S15,S1<br>7,S18,S19,S32,S33,S34,S37,S38,S57<br>,S58,S9_1,S9_10,S9_2,S9_3,S9_4,S9<br>_7,S11_1,S11_10,S11_2,S11_3,S11_<br>4,S11_7,S13_1,S13_10,S13_2,S13_3<br>,S13_4,S13_7,S15_1,S15_10,S15_2,<br>S15_3,S15_4,S15_7   |
| 243 | HC00077  | connector(male)               | 3P 2.5mm 180°                           | J2   |
| 244 | HC00254  | connector(male)               | 3P 2.0mm 180°                           | J3   |
| 245 | HC00256  | connector(male)               | 5P 2.0mm 180°                           | J10  |
| 246 | HC00259  | connector(male)               | 8P 2.0mm 180°                           | J22,J23  |
| 247 | HC00397  | connector(male)               | 10P 2.0mm 180°                          | J14  |
| 248 | HC00321  | connector(male)               | 14P 2.0mm 180°                          | J5   |
| 249 | HC00883  | connector(male)-RS            | 2P 2.0mm 180°(A2004WV-2*2P)             | J6   |
| 250 | HC00885  | connector(male)-RS            | 7P 2.0mm 180°(A2004WV-2*7P)             | J4,J7,J8,J16   |
| 251 | HC00886  | connector(male)-RS            | 8P 2.0mm 180°(A2004WV-2*8P)             | J24  |
| 252 | HA04569  | wire-RS                       | 10P-10P 140mm UL2651 28AWG PH1.27mm     | J9,J11,J13,J15   |
| 253 | HA00392  | wire                          | 270mm black L5R5                        | JUMP   |
| 254 | HK02084  | PC board                      | P-MONO_PRE_60dB_REV03-DIP               |  |
| 255 | HC00717  | connector                     | 2.54 180° 15P 16.5 2.5/5/9mm            | CON1   |
| 256 | HK02085  | PC board                      | P-MONO_PRE_60dB_REV03-SMD               |  |
| 257 | RD00116  | SMD fixed resistor 1/10W      | 100KΩ ±5% 0603                          | R33  |

| No. | Part No. | Description                   | Specification                    | Remark  |
|-----|----------|-------------------------------|----------------------------------|---|
| 258 | CI00075  | SMD ceramic capacitor 0603    | 0.1uF/50V Y5V +80,-20%           | C6,C7,C23,C24   |
| 259 | RD00101  | SMD fixed resistor 1/10W      | 10KΩ ±5% 0603                    | R24,R25,R27,R28   |
| 260 | RD00214  | SMD precise resistor 1/10W    | 10.0KΩ ±1% 0603                  | R22,R23   |
| 261 | CI00071  | SMD ceramic capacitor 0603    | 0.01uF/50V X7R ±10%              | C10,C11   |
| 262 | RD00201  | SMD precise resistor 1/10W    | 1.50KΩ ±1% 0603                  | R31,R32   |
| 263 | CI00065  | SMD ceramic capacitor 0603    | 0.001uF/50V X7R ±10%             | C16,C17   |
| 264 | RD00306  | SMD fixed resistor 1/10W      | 20KΩ ±5% 0603                    | R4,R5,R7  |
| 265 | RD00204  | SMD precise resistor 1/10W    | 2.49KΩ ±1% 0603                  | R9,R10,R11,R12,R13,R14,R15  |
| 266 | CI00062  | SMD ceramic capacitor 0603    | 330PF/50V NPO ±5 %               | C9  |
| 267 | SF00053  | transistor                    | MMBT3906(SOT-23)/(PHI)           | TR4,TR1,TR2,TR3   |
| 268 | RD00078  | SMD fixed resistor 1/10W      | 470Ω ±5% 0603                    | R16,R17   |
| 269 | RD00355  | SMD fixed resistor 1/10W      | 4.7Ω ±5% 0603                    | R3  |
| 270 | RD00210  | SMD precise resistor 1/10W    | 5.11KΩ ±1% 0603                  | R18,R19,R20,R21   |
| 271 | RD00097  | SMD fixed resistor 1/10W      | 6.8KΩ ±5% 0603                   | R29,R30   |
| 272 | SE00028  | SMD rectifier diode           | BAS316,115                       | D1  |
| 273 | HB01400  | PCB                           | MONO_PRE_60dB_ALTO_REV04         |   |
| 274 | AE00449  | solder material without lead  | 9308/Sn Ag Cu                    |   |
| 275 | SE00011  | SMD rectifier diode           | RLS4148 0.5A (LL-34)             | D2,D3,D4,D5   |
| 276 | RD00065  | SMD fixed resistor 1/10W      | 47Ω ±5% 0603                     | R1,R2   |
| 277 | CI00266  | SMD ceramic capacitor-RS 0603 | 22PF/50V NPO ±5 %                | C8,C12,C13,C14,C15  |
| 278 | SG00122  | SMD integrated circuit        | NJM4580M-TE3                     | U1,U2,U3  |
| 279 | SB00175  | transistor                    | 2SA970-BL(TE2;T)                 | TR5,TR6   |
| 280 | AC00179  | tin without lead              | M705E Sn 3Ag-0.5Cu               |   |
| 281 | ND00083  | EV foam                       | 10*25*5                          |   |
| 282 | MI02953  | fixed bracket                 | CYCLONE160 7*7.5*173 L type_V1.0 |   |
| 283 | MJ00061  | iron board                    | 1*2135*1220 20.45kg              |   |
| 284 | MG00199  | screw                         | M3*4                             |   |
| 285 | AC00179  | tin without lead              | M705E Sn 3Ag-0.5Cu               |   |
| 286 | HK06701  | PC board                      | P-CYCLONE-STEREO_BOARD-SMD       |   |
| 287 | RD00059  | SMD fixed resistor 1/10W      | 0.0Ω ±5% 0603                    | R7,R8,R9  |
| 288 | RD00006  | SMD fixed resistor 1/8W       | 100Ω ±5% 0805                    | R9_41,R13_41,R77,R81,R638,R640,R688   |
| 289 | RD00068  | SMD fixed resistor 1/10W      | 100Ω ±5% 0603                    | R54,R88,R501,R543,R544,R545   |
| 290 | RD00069  | SMD fixed resistor 1/10W      | 120Ω ±5% 0603                    | R678,R679   |
| 291 | RD00078  | SMD fixed resistor 1/10W      | 470Ω ±5% 0603                    | R78,R79,R82,R83,R90,R91   |
| 292 | RD00080  | SMD fixed resistor 1/10W      | 680Ω ±5% 0603                    | R682,R683   |
| 293 | RD00082  | SMD fixed resistor 1/10W      | 820Ω ±5% 0603                    | R672,R673   |
| 294 | RD00083  | SMD fixed resistor 1/10W      | 1.0KΩ ±5% 0603                   | R159,R161,R167  |
| 295 | RD00084  | SMD fixed resistor 1/10W      | 1.2KΩ ±5% 0603                   | R680,R681   |
| 296 | RD00086  | SMD fixed resistor 1/10W      | 1.8KΩ ±5% 0603                   | R546,R547,R548,R549,R550,R551,R552,<br>R553,R554,R555,R556,R557,R558,R559,<br>R560,R561,R562,R563,R564,R565,R566,<br>R567,R568,R569,R570,R571,R572,R573,<br>R574,R575,R576,R577 |
| 297 | RD00088  | SMD fixed resistor 1/10W      | 2.2KΩ ±5% 0603                   | R667,R668   |

| No. | Part No. | Description              | Specification  | Remark   |
|-----|----------|--------------------------|----------------|--|
| 298 | RD00089  | SMD fixed resistor 1/10W | 2.7KΩ ±5% 0603 | R9_18,R9_9,R11_18,R11_9,R13_18,R13_9,R15_18,R15_9  |
| 299 | RD00090  | SMD fixed resistor 1/10W | 3.0KΩ ±5% 0603 | R174,R175,R177,R178,R180,R183  |
| 300 | RD00091  | SMD fixed resistor 1/10W | 3.3KΩ ±5% 0603 | R684,R685  |
| 301 | RD00093  | SMD fixed resistor 1/10W | 4.7KΩ ±5% 0603 | R9_113,R9_115,R9_131,R9_134,R11_113,R11_115,R11_131,R11_134,R13_113,R13_115,R13_131,R13_134,R15_113,R15_115,R15_131,R15_134,R84,R95,R131,R232,R249,R297,R300,R303,R306,R309,R312,R315,R318,R335,R343,R358,R364,R379,R385,R389,R393,R438  |
| 302 | RD00094  | SMD fixed resistor 1/10W | 5.1KΩ ±5% 0603 | R9_117,R9_132,R11_117,R11_132,R13_117,R13_132,R15_117,R15_132,R60,R67,R70,R72,R75,R100,R104,R111,R120,R127,R130,R340,R361,R382,R403,R416,R418,R422,R425,R428,R55,R57   |
| 303 | RD00096  | SMD fixed resistor 1/10W | 6.2KΩ ±5% 0603 | R13,R24,R37,R47  |
| 304 | RD00097  | SMD fixed resistor 1/10W | 6.8KΩ ±5% 0603 | R153,R154,R298,R299,R301,R302,R304,R305,R307,R308,R310,R311,R313,R314,R316,R317,R319,R320  |
| 305 | RD00101  | SMD fixed resistor 1/10W | 10KΩ ±5% 0603  | R5,R6,R9_11,R9_112,R9_119,R9_120,R9_121,R9_122,R9_123,R9_124,R9_125,R9_126,R9_127,R9_128,R9_133,R9_2,R9_27,R9_28,R9_30,R9_31,R9_33,R9_34,R9_36,R9_37,R9_39,R9_40,R9_42,R9_43,R9_60,R9_65,R9_68,R9_69,R9_79,R9_82,R11,R11_11,R11_112,R11_119,R11_120,R11_121,R11_122,R11_123,R11_124,R11_125,R11_126,R11_127,R11_128,R11_133,R11_2,R11_27,R11_28,R11_30,R11_31,R11_33,R11_34,R11_36,R11_37,R11_39,R11_40,R11_42,R11_43,R11_60,R11_65,R11_68,R11_69,R11_79,R11_82,R13_11,R13_112,R13_119,R13_120,R13_121,R13_122,R13_123,R13_124,R13_125,R13_126,R13_127,R13_128,R13_133,R13_2,R13_27,R13_28,R13_30,R13_31,R13_33,R13_34,R13_36,R13_37,R13_39,R13_40,R13_42,R13_43,R13_60,R13_65,R13_68,R13_69,R13_79,R13_82,R15,R15_11,R15_112,R15_119,R15_120,R15_121,R15_122,R15_123,R15_124,R15_125,R15_126,R15_127,R15_128,R15_133,R15_2,R15_27,R15_28,R15_30,R15_31,R15_33,R15_34,R15_36,R15_37,R15_39,R15_40,R15_42,R15_43,R15_60,R15_65,R15_68,R15_69,R15_79,R15_82,R18,R22,R25,R26,R29,R30,R35,R39,R42,R46,R49,R50,R61,R64,R65,R69,R71,R74,R85,R94,R99,R102,R103,R110,R112,R114,R124,R125,R129,R133,R134,R135,R136,R137,R138,R139,R140,R141,R142,R143,R144,R152,R157,R158,R163,R164,R165,R170,R184,R223,R224,R229,R231,R234,R248,R324,R325,R328,R329,R332,R333,R336,R337,R338,R339,R341,R342,R345,R346,R349,R350,R353,R354,R356,R357,R359,R360,R362,R363,R366,R367,R370,R371,R374,R375,R377,R378,R380,R381,R383,R384,R387,R388,R391,R392,R393,R450,R451,R452,R453,R454,R455,R456,R457,R458,R459,R460,R461,R462,R463,R464,R466,R467,R468,R469,R471,R472,R474,R479,R480,R482,R485,R487,R490,R491,R493,R494,R495,R496,R502,R503,R504,R505,R506,R507,R508,R509,R510,R511,R512,R513,R514,R515,R654,R655,R663,R665,R669,R670,R671,R674,R675,R676,R677,R690,R691,R692,R701,R702,R703,R704,R705,R706,R707,R708,R709,R710,R711,R712,R713,R714,R396,R399,R400,R401,R402,R404,R405,R414,R415,R417,R420,R421,R424,R426,R427,R446,R447,R448,R449 |
| 307 | RD00103  | SMD fixed resistor 1/10W | 15KΩ ±5% 0603  | R595,R596,R597,R598,R599,R600,R601,R602,R603,R604,R605,R606,R607,R608,R609,R610,R611,R612  |



| No. | Part No. | Description                | Specification                        | Remark   |
|-----|----------|----------------------------|--------------------------------------|--|
| 306 | RD00102  | SMD fixed resistor 1/10W   | 12KΩ ±5% 0603                        | R149,R181,R182   |
| 308 | RD00306  | SMD fixed resistor 1/10W   | 20KΩ ±5% 0603                        | R9_48,R13_47,R59,R68,R76,R80,R98,R128,R260,R266,R267,R268,R269,R278,R281,R282,R283,R286,R287,R288,R423,R475,R476,R637,R686,R687  |
| 309 | RD00105  | SMD fixed resistor 1/10W   | 22KΩ ±5% 0603                        | R150,R179  |
| 310 | RD00106  | SMD fixed resistor 1/10W   | 27KΩ ±5% 0603                        | R9_16,R9_17,R9_6,R9_8,R11_16,R11_17,R11_6,R11_8,R13_16,R13_17,R13_6,R13_8,R15_16,R15_17,R15_6,R15_8  |
| 311 | RD00107  | SMD fixed resistor 1/10W   | 30KΩ ±5% 0603                        | R326,R330,R347,R351,R368,R372,R398,R406,R465,R470,R473,R477,R478,R481,R483,R484,R486,R488,R489,R649,R650,R651,R652,R653  |
| 312 | RD00108  | SMD fixed resistor 1/10W   | 33KΩ ±5% 0603                        | R664,R666  |
| 313 | RD00109  | SMD fixed resistor 1/10W   | 39KΩ ±5% 0603                        | R629,R630,R631,R632,R633,R634,R635,R636  |
| 314 | RD00116  | SMD fixed resistor 1/10W   | 100KΩ ±5% 0603                       | R9_10,R9_106,R9_108,R9_118,R9_135,R9_139,R9_143,R9_15,R9_19,R9_24,R9_25,R9_3,R9_4,R9_45,R9_46,R9_47,R9_5,R10,R11_10,R11_106,R11_108,R11_118,R11_135,R11_139,R11_143,R11_15,R11_19,R11_24,R11_25,R11_3,R11_4,R11_41,R11_46,R11_47,R11_48,R11_5,R12,R13_10,R13_106,R13_108,R13_118,R13_135,R13_139,R13_143,R13_15,R13_24,R13_25,R13_3,R13_4,R13_45,R13_46,R13_48,R13_5,R14,R15_10,R15_106,R15_108,R15_118,R15_135,R15_139,R15_143,R15_15,R15_19,R15_24,R15_25,R15_3,R15_4,R15_41,R15_45,R15_46,R15_5,R16,R17,R19,R34,R41,R62,R73,R86,R87,R89,R93,R101,R113,R122,R147,R148,R168,R173,R185,R270,R271,R272,R273,R274,R275,R276,R277,R279,R280,R284,R285,R419,R429,R433,R492,R497,R498,R499,R500,R520,R521,R522,R523,R524,R525,R526,R527,R528,R529,R530,R531,R532,R533,R534,R639,R641,R642,R643,R644,R645,R646 |
| 315 | RD00118  | SMD fixed resistor 1/10W   | 150KΩ ±5% 0603                       | R656,R657  |
| 316 | RD00119  | SMD fixed resistor 1/10W   | 220KΩ ±5% 0603                       | R578,R579,R580,R581,R582,R583,R584,R585,R586,R587,R588,R589,R590,R591,R592,R593,R594   |
| 317 | RD00124  | SMD fixed resistor 1/10W   | 820KΩ ±5% 0603                       | R659,R660,R661,R662  |
| 318 | RD00125  | SMD fixed resistor 1/10W   | 1.0MΩ ±5% 0603                       | R613,R614,R615,R616,R617,R618,R619,R620,R621,R622,R623,R624,R625,R626,R627,R628  |
| 319 | CI00051  | SMD ceramic capacitor 0603 | 22PF/50V C0G±5%(C1608C0G1H220JT)/TDK | C3,C4,C8,C9,C9_10,C9_20,C9_42,C11_10,C11_4,C13_10,C13_4,C15_10,C15_4,C152,C155,C156,C157,C158,C159,C160,C161,C162,C163,C164,C165,C166,C167,C168,C169,C170,C171,C172,C173,C174,C175,C176,C177,C178,C179,C180,C181,C182,C183,C184,C185,C186,C187,C188,C189,C190,C191,C192,C193,C9_32,C9_41,C11_16,C11_2,C11_20,C11_32,C13_16,C13_2,C13_20,C13_32,C14,C15_16,C15_2,C15_20,C15_32,C19,C52,C53,C57,C58,C98,C99,C101,C102,C105,C107,C108,C118,C146,C148,C198,C199,C200,C201,C202,C203,C204,C205,C206,C207,C208,C209,C210,C211,C404   |
| 320 | CI00059  | SMD ceramic capacitor 0603 | 100PF/50V NPO ±5%                    | C59,C61,C92,C96,C149   |

| No. | Part No. | Description                  | Specification               | Remark  |
|-----|----------|------------------------------|-----------------------------|---|
| 321 | CI00067  | SMD ceramic capacitor 0603   | 0.0022uF/50V X7R ±10%       | C290,C291,C292,C293,C294,C295,C296,C297   |
| 322 | CI00069  | SMD ceramic capacitor 0603   | 0.0033uF/50V X7R ±10 %      | C322,C323,C324,C325,C326,C327,C328,C329,C330,C331,C332,C333,C334,C335,C336,C337   |
| 323 | CI00071  | SMD ceramic capacitor 0603   | 0.01uF/50V X7R ±10%         | C40,C45,C48,C49,C50,C51,C54   |
| 324 | CI00093  | SMD ceramic capacitor 0603   | 0.015uF/50V X7R ±10%        | C298,C299,C300,C301,C302,C303,C304,C305,C306,C307,C308,C309,C310,C311,C312,C313   |
| 325 | CI00073  | SMD ceramic capacitor 0603   | 0.033uF/50V X7R ±10%        | C314,C315,C316,C317,C318,C319,C320,C321   |
| 326 | CI00075  | SMD ceramic capacitor 0603   | 0.1uF/50V Y5V +80,-20%      | C9_22,C9_23,C9_24,C9_25,C9_28,C9_29,C9_39,C9_40,C11_22,C11_23,C11_24,C11_25,C11_28,C11_29,C11_39,C11_40,C13_22,C13_23,C13_24,C13_25,C13_28,C13_29,C13_39,C13_40,C15_22,C15_23,C15_24,C15_25,C15_28,C15_29,C15_39,C15_40,C29,C30,C31,C32,C33,C34,C35,C36,C41,C42,C63,C65,C68,C71,C113,C114,C115,C116,C117,C119,C120,C121,C122,C123,C124,C125,C127,C128,C129,C130,C135,C136,C137,C138,C139,C140,C141,C142,C143,C144,C151,C153,C154,C228,C229,C230,C231,C232,C233,C234,C235,C236,C237,C238,C239,C240,C241,C242,C243,C244,C245,C246,C247,C248,C249,C250,C251,C252,C253,C254,C255,C256,C257,C258,C259,C260,C261,C479,C480,C481,C482,C483,C484,C485,C486,C487,C488,C489,C490,C491,C492,C493,C494,C495,C496,C497,C498,C499,C500,C501,C502,C503 |
| 327 | SE00011  | SMD rectifier diode          | RLS4148 0.5A (LL-34)        | D5,D6,D7,D8,D9,D10,D11,D15,D16,D17,D18,D19,D27,D28,D39,D42,D46,D48,D49,D50,D51,D52,D53,D54,D56,D66,D67,D68,D69,D70,D71,D76,D77,D84,D85,D86,D87,D88,D89,D90,D91,D9_5,D9_6,D13_5,D13_6  |
| 328 | SG00122  | SMD integrated circuit       | NJM4580M-TE3                | U1,U2,U3,U4,U5,U6,U7,U8,U9,U9_1,U9_3,U9_4,U9_5,U11_1,U11_3,U11_4,U11_5,U13_1,U13_3,U13_4,U13_5,U14,U15_1,U15_3,U15_4,U15_5,U16,U17,U18,U19,U20,U21,U22,U23,U25,U26,U27,U28,U30,U31,U32,U33,U34,U35,U36,U49,U50,U51,U52,U53,U54,U55,U56,U57,U58,U59,U60,U61,U62,U63,U64,U65,U66,U67,U68,U69,U75,U76  |
| 329 | SF00051  | transistor                   | SST176(S6)(SOT-23)/(VISHAY) | Q4,Q5,Q6,Q7   |
| 330 | SF00053  | transistor                   | MMBT3906(SOT-23)/(PHI)      | Q9_2,Q9_3,Q9_4,Q11_2,Q11_3,Q13_2,Q13_3,Q15_2,Q15_3  |
| 331 | SG00116  | SMD integrated circuit       | BA1033FV E2                 | U70,U71,U73,U74   |
| 332 | AE00449  | solder material without lead | 9308/Sn Ag Cu               |   |
| 333 | RD00268  | SMD fixed resistor 1/10W     | 300KΩ ±5% 0603              | R658  |
| 334 | RD00111  | SMD fixed resistor 1/10W     | 47KΩ ±5% 0603               | R251,R253   |
| 335 | RD00445  | SMD precise resistor 1/10W   | 2.43KΩ ±1% 0603             | R233,R222   |
| 336 | RD00095  | SMD fixed resistor 1/10W     | 5.6KΩ ±5% 0603              | R172  |
| 337 | HK06708  | PC board                     | P-CYCLONE-STEREO_BOARD-AI   |   |
| 338 | CB00011  | electrolytic capacitor       | 2.2uF/50V φ5*11mm           | C69,C73   |
| 339 | CB00165  | electrolytic capacitor       | 10uF/16V φ4*5mm             | C66,C72   |

| No. | Part No. | Description            | Specification                          | Remark  |
|-----|----------|------------------------|--|---|
| 340 | CB00025  | electrolytic capacitor | 10uF/50V $\phi 6^*7$ mm                | C93,C95   |
| 341 | CB00194  | electrolytic capacitor | 47uF/25V $\phi 5^*11$ mm               | C1,C2,C5,C6,C7,C10,C11,C12,C15,C16,C17,C18,C20,C22,C24,C25,C26,C47,C55,C60,C62,C64,C67,C70,C82,C84,C86,C87,C88,C89,C94,C145,C147,C270,C271,C272,C273,C274,C275,C276,C277,C280,C281,C282,C283,C284,C285,C286,C287,C288,C289,C339,C340,C346,C347,C350,C351,C354,C355,C510,C511,C512,C9_1,C9_3,C9_4,C9_6,C9_8,C9_12,C9_13,C9_14,C9_15,C9_21,C9_33,C9_34,C9_35,C9_43,C9_44,C11_1,C11_3,C11_6,C11_8,C11_12,C11_13,C11_14,C11_15,C11_17,C11_18,C11_21,C11_30,C11_33,C11_34,C11_35,C13_1,C13_3,C13_6,C13_8,C13_12,C13_13,C13_14,C13_15,C13_17,C13_19,C13_21,C13_30,C13_33,C13_34,C13_35,C15_1,C15_3,C15_6,C15_8,C15_12,C15_13,C15_14,C15_15,C15_17,C15_19,C15_21,C15_30,C15_33,C15_34,C15_35 |
| 342 | CB00166  | electrolytic capacitor | 100uF/16V $\phi 6^*5$ mm               | C9_5,C9_11,C11_5,C11_11,C13_5,C13_11,C15_5,C15_11,C46,C338  |
| 343 | CB00069  | electrolytic capacitor | 1000uF/6.3V $\phi 8^*11$ mm            | C9_7,C11_7,C13_7,C15_7  |
| 344 | RA00184  | fixed resistor 1/4W    | 100 $\Omega$ M type                    | R58,R225,R228,R235,R239,R689  |
| 345 | RA00136  | fixed resistor 1/2W    | 2.2K $\Omega$ M type                   | R256,R257   |
| 346 | RA00140  | fixed resistor 1/2W    | 4.7K $\Omega$ M type                   | R259  |
| 347 | RA00242  | fixed resistor 1/4W    | 10K $\Omega$ M type                    | R192,R193,R195,R196,R202,R203,R205,R206,R212,R213,R215,R216   |
| 348 | HA01933  | jump                   | 2.5mm                                  | C9_18,C11_19,C13_18,C15_18,C100,C103,C106,C109  |
| 349 | AC00179  | tin without lead       | M705E Sn 3Ag-0.5Cu                     |   |
| 350 | HB01995  | PCB-RS                 | STEREO_BOARD-VER060217                 |   |
| 351 | HK06710  | K-PC BOARD             | P-CYCLONE-LIGHT CONNECTOR              |   |
| 352 | HB01933  | PCB-RS                 | LIGHT CONNECTOR_VER060217              |   |
| 353 | HC00125  | MIC jack-RS            | JY-6351G-02-250                        | X1  |
| 354 | HC00615  | balance MIC jack       | NC4FAV-0 4PIN (NEUTRIK)                | J20   |
| 355 | HC00126  | balance MIC jack-RS    | JY-5042-030G female plug 180°          | J19   |
| 356 | HC00065  | connector(male)        | 2P 2.5mm 90°                           | J18   |
| 357 | HC00248  | connector(male)        | 3P 2.0mm 90°                           | J12   |
| 358 | HC00066  | connector(male)        | 3P 2.5mm 90°                           | J17   |
| 359 | AC00179  | tin without lead       | M705E Sn 3Ag-0.5Cu                     |   |
| 360 | HK06711  | PC board               | P-CYCLONE-POWER CONNECTOR              |   |
| 361 | HB01934  | PCB-RS                 | POWER CONNECTOR_VER060217              |   |
| 362 | HC00339  | connect terminal       | 6.5m/m (PCF250)                        | J30   |
| 363 | HC00253  | connector(male)        | 2P 2.0mm 180°                          | CN12  |
| 364 | HC00076  | connector(male)        | 2P 2.5mm 180°                          | CN11  |
| 365 | HC00258  | connector(male)        | 7P 2.0mm 180°                          | CN7   |
| 366 | AC00179  | tin without lead       | M705E Sn 3Ag-0.5Cu                     |   |
| 367 | HA04610  | wire-RS                | 2*2P-2*2P 190*2/105/370mm UL1007 26AWG |   |
| 368 | HA04611  | wire-RS                | 2*5P-2*5P 190*2/240mm UL1007 24AWG     |   |

| No. | Part No. | Description             | Specification                          | Remark |
|-----|----------|-------------------------|--|--------|
| 369 | HA04612  | wire-RS                 | 2*7P-2*7P 190*2/30/770mm UL1007 24AWG  |        |
| 370 | HA04613  | wire-RS                 | 2*10P-2*10P 190*2/60mm UL1007 24AWG    |        |
| 371 | HA04614  | wire-RS                 | 2*14P-2*14P 190*2/30mm UL1007 24AWG    |        |
| 372 | HA04615  | wire-RS                 | 3P-3P 290mm UL1007 26AWG red/white     |        |
| 373 | HA04616  | wire-RS                 | 2P-2P 580mm UL1007 24AWG red/white     |        |
| 374 | HA04617  | wire-RS                 | 8P-8P 160/240mm UL1007 24AWG red/white |        |
| 375 | HA04618  | wire-RS                 | 2*7P-2*7P 400mm UL1007 26AWG red/white |        |
| 376 | HA04619  | wire-RS                 | 2*7P-2*7P 480mm UL1007 26AWG red/white |        |
| 377 | HA04620  | wire-RS                 | 2*7P-2*7P 600mm UL1007 26AWG red/white |        |
| 378 | HA04585  | wire-RS                 | 240mm UL1015 18AWG black               |        |
| 379 | HA04588  | wire-RS                 | 210*2/340mm UL1015 18AWG black         |        |
| 380 | MG00645  | copper nut              | M3*16*0.5PH_V1.0                       |        |
| 381 | MG00363  | copper pillar           | M3*14*0.5PH                            |        |
| 382 | MG00041  | screw                   | M3*6                                   |        |
| 383 | MG00249  | screw                   | screw                                  |        |
| 384 | MG00589  | screw                   | M3*4                                   |        |
| 385 | MG00281  | screw                   | M3*6                                   |        |
| 386 | MG00027  | screw                   | M3*12                                  |        |
| 387 | MG00061  | screw                   | M3*10                                  |        |
| 388 | ME00060  | MIC jack                | JY-6351G-02-250                        |        |
| 389 | MF00061  | MIC jack                | φ9.6*φ13*0.5t                          |        |
| 390 | HC00683  | connector               | CB-6MC 6P male adoptor                 |        |
| 391 | NI02842  | plastic foot            | φ21.8*10(FFS-1)_V1.0                   |        |
| 392 | NI04089  | fixed board             | TYPHOON1600 5.5*76*121 black_V1.0      |        |
| 393 | NI03710  | rubber stopper          | 50.9*6.8 black_V1.1                    |        |
| 394 | NI02926  | button                  | 13.9*10*24mm TYPHOON_V1.4              |        |
| 395 | NI03140  | knob                    | 5*5*9 TYPHOON_V1.0                     |        |
| 396 | NI03139  | knob                    | 10*5*9 TYPHOON_V1.0                    |        |
| 397 | NI03055  | knob                    | 24*9.5*10.5 TYPHOON                    |        |
| 398 | NI03056  | knob                    | 24*9.5*10.5 TYPHOON                    |        |
| 399 | NI03367  | knob                    | 24*9.5*10.5 CYCLONE_V1.0               |        |
| 400 | NI00359  | knob                    | φ10*16.5                               |        |
| 401 | NI02692  | knob cover              | φ7*3.5 black                           |        |
| 402 | NI02678  | knob cover              | φ7*3.5 534C blue                       |        |
| 403 | NI02867  | knob cover              | φ7*3.5 221U_V1.0                       |        |
| 404 | NI03161  | knob cover              | φ7*3.5 yellow_V1.0                     |        |
| 405 | NI04287  | spacer support-RS       | RAM-14 14mm                            |        |
| 406 | NI00218  | cable tie               | ALT-102SB                              |        |
| 407 | NI04282  | header fixed bracket-RS | FCN-15(3M)                             |        |
| 408 | NI04340  | header fixed bracket-RS | WLL-3(3M)                              |        |
| 409 | NF02542  | instruction             | CYCLONE 160/240/320 ALTO_V1.1          |        |
| 410 | NH00149  | paper                   | 889*640mm                              |        |

| No. | Part No. | Description          | Specification                       | Remark |
|-----|----------|----------------------|-------------------------------------|--------|
| 411 | NA00122  | PE bag               | 0.04t*350*230mm                     |        |
| 412 | NA00551  | PE bag-RS            | 0.1t*83*112cm                       |        |
| 413 | NA00543  | silk wadding         | CYCLONE 320 front right_V1.0        |        |
| 414 | NA00544  | silk wadding         | CYCLONE 320 front left_V1.0         |        |
| 415 | NA00545  | silk wadding         | CYCLONE 320 behind right_V1.0       |        |
| 416 | NA00546  | silk wadding         | CYCLONE 320 behind left_V1.0        |        |
| 417 | NB04740  | box                  | CYCLONE 320-PWR_V1.0                |        |
| 418 | NB04741  | barrier              | CYCLONE SERIES-PWR_V1.0             |        |
| 419 | NB04742  | cardboard            | CYCLONE SERIES-PWR_V1.0             |        |
| 420 | NB04743  | cardboard            | CYCLONE SERIES-PWR up_V1.0          |        |
| 421 | NB04744  | cardboard            | CYCLONE SERIES-PWR_V1.0             |        |
| 422 | NB04726  | box                  | CYCLONE 320 ALTO_V1.0               |        |
| 423 | NB04727  | box                  | CYCLONE 320 ALTO_V1.0               |        |
| 424 | NB04728  | carton               | CYCLONE 320 ALTO_V1.0               |        |
| 425 | HJ00006  | dessicant            | 30g                                 |        |
| 426 | NE05004  | label                | ALTO                                |        |
| 427 | NH00334  | cone paper           | 0.040*1m                            |        |
| 428 | NE16148  | label                | CYCLONE 320_V1.0                    |        |
| 429 | NI00014  | membrane             | 0.035*1M                            |        |
| 430 | NH00012  | bond paper           | 0.04*1M                             |        |
| 431 | NF00061  | assurance card       | ALTO                                |        |
| 432 | NA00279  | clip-chain bag       | 0.04t*100*150mm_V1.0                |        |
| 433 | AD00012  | twin adhesive        | 90*120mm_V1.0                       |        |
| 434 | HA00861  | power cord Europe 3P | LT-312+LT-501                       |        |
| 435 | HK06780  | power                | CYCLONE .PS 160.240.320_ALTO        |        |
| 436 | MB04780  | rear board           | CYCLONE . 160-PWR 220-240V_V1.0     |        |
| 437 | MB04760  | rear board           | CYCLONE-PWR                         |        |
| 438 | AE00055  | solvent              | solvent                             |        |
| 439 | AE00060  | paint                | 4534                                |        |
| 440 | MB04759  | rear board           | CYCLONE-PWR 1.2*208.5*190*64.8_V1.0 |        |
| 441 | ME00036  | iron pillar          | hexagon6.35*M3*9.2                  |        |
| 442 | MD00882  | iron net             | CYCLONE-PWR 0.5t*84.5*58.8_V1.0     |        |
| 443 | MD00343  | iron net             | 1M*134mm                            |        |
| 444 | MJ00059  | single light board   | 1.2*2135*1220 24.54kg               |        |
| 445 | MA05975  | panel                | CYCLONE.160/240/320-PWR ALTO_V1.0   |        |
| 446 | MA05957  | panel                | CYCLONE-PWR                         |        |
| 447 | AE00060  | paint                | 4534                                |        |
| 448 | AE00055  | solvent              | solvent                             |        |
| 449 | MA05956  | panel                | CYCLONE-PWR 1.2*205.5*63.6*12_V1.0  |        |
| 450 | ME00223  | iron pillar-RS       | TYPHOON M3*5.2*0.5PH_V1.0           |        |
| 451 | MJ00059  | single light board   | 1.2*2135*1220 24.54kg               |        |
| 452 | MD00257  | protective cover     | 60*60mm (KGO60.04A)                 |        |

| No. | Part No. | Description                  | Specification                        | Remark    |
|-----|----------|------------------------------|--------------------------------------|-----------|
| 453 | HC00331  | AC socket                    | RF-2004                              |           |
| 454 | HD00028  | glass tube fuse              | 2A 250V $\phi$ 5.2*20mm CSA/S/UL/VDE |           |
| 455 | HI00019  | power switch                 | 4P MSR-8                             |           |
| 456 | HA02812  | wire                         | 5P-5P 300mm UL1007 24LWG white black |           |
| 457 | HA04557  | wire-RS                      | 60mm UL1015 22AWG white              |           |
| 458 | HA04556  | wire-RS                      | 100mm UL1015 22AWG brown             |           |
| 459 | HA04558  | wire-RS                      | 130mm UL1015 20AWG blue              |           |
| 460 | HA04559  | wire-RS                      | 130mm UL1015 20AWG yellow            |           |
| 461 | HA03238  | wire                         | 160m/m UL1015 18AWG                  |           |
| 462 | HA04503  | wire-RS                      | 5P-6P 95/220mm UL1007 18AWG          |           |
| 463 | HE00104  | fan-RS                       | DC24V/0.13A 60*60*25mm               |           |
| 464 | HA03906  | power wire                   | SCMI-6P+6*6C(PVC) 1.5M+SCM1-6P       |           |
| 465 | MG00041  | screw                        | M3*6                                 |           |
| 466 | MG00025  | screw                        | M3*6                                 |           |
| 467 | MG00607  | screw                        | M5*10                                |           |
| 468 | HC00683  | connector                    | CB-6MC 6P male adoptor               |           |
| 469 | NI03710  | rubber stopper               | 50.9*6.8 black_V1.1                  |           |
| 470 | NI03205  | protective cover             | 0.5*44*15_V1.0                       |           |
| 471 | NA00137  | clip-chain bag               | 5*7                                  |           |
| 472 | ND00542  | filter sponge                | 140*60*10t black                     |           |
| 473 | NA00123  | PE bag                       | 0.04t*580*300mm                      |           |
| 474 | NI00218  | cable tie                    | ALT-102SB                            |           |
| 475 | NI00501  | self-adhere foot cushion     | 12.7*9*3t(SF-004)                    |           |
| 476 | NI00246  | sleeve                       | $\phi$ 3*20mm                        |           |
| 477 | NI00243  | sleeve                       | $\phi$ 3*1000mm                      |           |
| 478 | HK06781  | PC board                     | CYCLONE PWR-DIP                      |           |
| 479 | CF00009  | metal-film capacitor MPF     | 0.0047uF/400V 10%                    | C109      |
| 480 | CG00056  | X2 capacitor                 | 0.47uF/275VAC                        | C101,C102 |
| 481 | CG00039  | X2 capacitor MPX             | 0.47Uf/275V VDE/UL/CSA L=8mm         | C1        |
| 482 | RA01454  | chassis bracket 5W           | 0.15 $\Omega$ $\pm$ 5% SQP           | R110      |
| 483 | RA00013  | metal-oxide-film resistor 1W | 150 $\Omega$ P type                  | R2        |
| 484 | RA00813  | metal-oxide-film resistor 1W | 220 $\Omega$ P type                  | R3,R4     |
| 485 | CB00073  | electrolytic capacitor       | 1000uF/35V $\phi$ 13*20mm            | C308,C311 |
| 486 | CB00218  | electrolytic capacitor       | 1000uF/63V $\phi$ 16*25mm            | C3,C304   |
| 487 | RH00005  | thermistor                   | 100 $\Omega$ (PTH9M04BH471TS2F333)   | PR1       |
| 488 | CB00050  | electrolytic capacitor       | 100uF/50V $\phi$ 8*11mm              | C315,C316 |
| 489 | CB00295  | electrolytic capacitor       | 820uF/180V $\phi$ 25*35              | C107,C108 |
| 490 | RA00319  | fixed resistor 1/4W          | 1.0 $\Omega$ M type                  | R302      |
| 491 | SA00107  | zener diode                  | 1W 15V 1N4744                        | D309      |
| 492 | SA00143  | zener diode                  | 1W 20V 1N4747A                       | D311,D314 |
| 493 | SA00163  | zener diode                  | 1W 24V                               | D315,D316 |
| 494 | RA01227  | metal-oxide-film resistor 1W | 220K $\Omega$ P type                 | R5        |

| No. | Part No. | Description                  | Specification                     | Remark                          |
|-----|----------|------------------------------|-----------------------------------|---------------------------------|
| 495 | RA00049  | metal-oxide-film resistor 2W | 22KΩ P type                       | R102,R103                       |
| 496 | SB00023  | power transistor             | 2SA1943-O                         | Q4                              |
| 497 | SB00021  | power transistor             | 2SC5200                           | Q3,Q5                           |
| 498 | CN00160  | inductance                   | 2.7mH φ0.7*28.5T                  | L101,L102                       |
| 499 | CB00084  | electrolytic capacitor       | 3300uF/50V φ22*35mm               | C305,C306                       |
| 500 | CB00139  | electrolytic capacitor       | 4.7uF/63V NP φ6.3*11mm            | C117                            |
| 501 | CB00276  | electrolytic capacitor       | 220uF/25V φ6.3*11mm 5mm           | C312,C314                       |
| 502 | CF00139  | metal-film capacitor MEF     | 0.047UF/400V 5%                   | C118,C119                       |
| 503 | CB00039  | electrolytic capacitor       | 47uF/25V φ5*11mm                  | C310,C313                       |
| 504 | CB00217  | electrolytic capacitor       | 470uF/50V φ10*20mm                | C2                              |
| 505 | CB00203  | electrolytic capacitor       | 47uF/35V φ5*11mm                  | C113,C114                       |
| 506 | SD00066  | integrated circuit           | L7812CV(TO-220)(ST)               | U2                              |
| 507 | SA00130  | diode                        | 1A/600V/35ns BYV26C               | D104,D105                       |
| 508 | SA00004  | high speed diode             | 2A/100V BYV27-200,113             | D103,D307,D305,D306,D313        |
| 509 | SB00147  | transistor                   | 2SC4382(TO-220)/(SANKEN)          | Q6,Q7,Q1                        |
| 510 | CB00033  | electrolytic capacitor       | 22uF/25V φ6*7mm                   | C122                            |
| 511 | HC00076  | connector(male)              | 2P 2.5mm 180°                     | J2                              |
| 512 | HC00079  | connector(male)              | 5P 2.5mm 180°                     | J3                              |
| 513 | HC00177  | connector(male)              | 5P 3.96mm 180°                    | J1                              |
| 514 | TC00333  | transformer-RS               | ETD39                             | TB1                             |
| 515 | SA00134  | diode                        | 6A/200V/35ns FE6D                 | D308,D310,D312                  |
| 516 | HC00324  | connect terminal             | 6.5m/m (PC250)                    | 115V,230V,AC1,AC2,COM,GND,P1,P2 |
| 517 | SD00122  | integrated circuit           | IR 2153                           | U3                              |
| 518 | SB00184  | transistor                   | 2SK2611(T)(TO3P)/(TOSHIBA)        | Q405B,Q406B                     |
| 519 | SA00007  | bridge rectifier             | 8A KBU-806 comb type              | D101                            |
| 520 | TC00334  | transformer-RS               | PT-XPk35P2001502A3_240V           | TP1                             |
| 521 | SB00130  | transistor                   | MPSA42/(PHILIPS)                  | Q401,Q403                       |
| 522 | SA00099  | rectifier diode              | MUR1520/STPR1520D                 | D301,D302,D303,D304             |
| 523 | RH00012  | thermistor                   | 10Ω S364(B57364-S100-M)           | R101                            |
| 524 | MI03520  | heat sink                    | CYCLONE-PWR 70*34.5*16.5_V1.0     |                                 |
| 525 | MI03116  | heat-sink                    | 5T*34.5*16.5*1M+5(1M/0.9KG)_V 1.0 |                                 |
| 526 | MI03519  | heat sink                    | CYCLONE-PWR 70*34.5*16.5_V1.0     |                                 |
| 527 | MI03116  | heat-sink                    | 5T*34.5*16.5*1M+5(1M/0.9KG)_V 1.0 |                                 |
| 528 | MI03518  | heat sink                    | CYCLONE-PWR 150*48*17_V1.0        |                                 |
| 529 | MI03517  | heat sink                    | CYCLONE-PWR 1000*50*17_V1.0       |                                 |
| 530 | MG00166  | screw                        | M3*10                             |                                 |
| 531 | MG00163  | screw                        | M3*8                              |                                 |
| 532 | MF00037  | washer                       | φ3.2*φ5.5*1t                      |                                 |
| 533 | NC00127  | mica                         | 22*28                             |                                 |
| 534 | NC00005  | mica                         | SB-9500DSP 18*13*0.1t_V1.0        |                                 |
| 535 | NI00863  | plastic washer               | TO220B                            |                                 |
| 536 | AC00179  | tin without lead             | M705E Sn 3Ag-0.5Cu                |                                 |

| No. | Part No. | Description                  | Specification               | Remark                                  |
|-----|----------|------------------------------|-----------------------------|---|
| 537 | HK06783  | PC board                     | CYCLONE PWR-SMD             |   |
| 538 | CI00100  | SMD ceramic capacitor 0805   | 0.1uF/50V X7R ±10%          | C5,C11,C12,C13,C112,C115,C116,C121,C123 |
| 539 | RD00032  | SMD fixed resistor 1/8W      | 10KΩ ±5% 0805               | R112,R118                               |
| 540 | RD00049  | SMD fixed resistor 1/8W      | 100KΩ ±5% 0805              | R121                                    |
| 541 | RD00036  | SMD fixed resistor 1/8W      | 18KΩ ±5% 0805               | R122                                    |
| 542 | SE00011  | SMD rectifier diode          | RLS4148 0.5A (LL-34)        | D106,D107,D108,D109                     |
| 543 | RD00523  | SMD fixed resistor 1/10W     | 22Ω ±5% 0805                | R105,R108                               |
| 544 | CI00146  | SMD ceramic capacitor 0805   | 0.22uF/50V X7R ±10%         | C124                                    |
| 545 | RD00038  | SMD fixed resistor 1/8W      | 22KΩ ±5% 0805               | R106,R109,R114,R116,R117,R119,R123      |
| 546 | RD00053  | SMD fixed resistor 1/8W      | 330KΩ ±5% 0805              | R115                                    |
| 547 | RD00235  | SMD precise resistor 1/8W    | 4.70KΩ ±1% 0805             | R1,R113                                 |
| 548 | RD00004  | SMD fixed resistor 1/8W      | 47Ω ±5% 0805                | R104                                    |
| 549 | RD00054  | SMD fixed resistor 1/8W      | 470KΩ ±5% 0805              | R120                                    |
| 550 | RD00507  | SMD precise resistor 1/8W    | 4.30Ω ±1% 0805              | R107                                    |
| 551 | AE00449  | solder material without lead | 9308/Sn Ag Cu               |   |
| 552 | RD00100  | SMD fixed resistor 1/10W     | 9.1KΩ ±5% 0603              | R111                                    |
| 553 | HB01979  | PCB-RS                       | PSM-300W_VER060421          |   |
| 554 | MG00041  | screw                        | M3*6                        |   |
| 555 | CG00030  | X1/Y2 capacitor              | 2200PF/400V Y5V ±20% Y2CAP  | C4,C6,C7,C8,C103,C104                   |
| 556 | CG00020  | X1/Y2 capacitor              | 4700PF Y5V X1-400V Y2-250V  | C105,C106                               |
| 557 | SB00129  | transistor                   | MPSA92(TO92)/(PHI)          | Q402,Q404                               |
| 558 | SB00148  | transistor                   | 2SA1668(TO-220)/(SANKEN)    | Q2                                      |
| 559 | SB00073  | transistor                   | 2N5550/2N5551               | Q407,Q411                               |
| 560 | SB00074  | transistor                   | 2N5401                      | Q408,Q409,Q410                          |
| 561 | CA00102  | ceramic capacitor            | 0.001uF Z5V                 | C120                                    |
| 562 | CB00040  | electrolytic capacitor       | 47uF/25V φ5*11mm            |   |
| 563 | CB00274  | electrolytic capacitor       | 470uF/35V φ10*20mm 5mm      | C301,C302,C303,C111                     |
| 564 | CB00253  | electrolytic capacitor       | 1000uF/16V φ10*16mm 5mm     | C307,C309                               |
| 565 | HA01920  | jump                         | 6mm                         | L1,L2,L3,L4                             |
| 566 | HA02249  | wire                         | φ0.6_Tin plated             |   |
| 567 | HK06784  | PC board                     | CYCLONE PWR-LED             |   |
| 568 | HB02012  | PCB-RS                       | PSM-300W-LED_VER060214      |   |
| 569 | RA00237  | fixed resistor 1/4W          | 7.5KΩ M type                | R4                                      |
| 570 | RA00362  | fixed resistor 1/8W          | 2.0KΩ M type                | R3                                      |
| 571 | RA00369  | fixed resistor 1/8W          | 3.0KΩ M type                | R1,R2                                   |
| 572 | HC00271  | connector(male)              | 5P 2.54mm 90°               | CN1                                     |
| 573 | SA00025  | L.E.D                        | φ5 circle green LX3310/F423 | LD1,LD2,LD3,LD4                         |
| 574 | AC00179  | tin without lead             | M705E Sn 3Ag-0.5Cu          |   |
| 575 | MH02001  | magnet                       | VDT17.5X9.5X12.7            |   |
| 576 | HI00120  | slide switch                 | L21-22A                     |   |
| 577 | MC00837  | top cover-RS                 | CYCLONE-PWR_V 1.0           |   |
| 578 | AE00055  | solvent                      | solvent                     |   |



| No. | Part No. | Description        | Specification                   | Remark |
|-----|----------|--------------------|---------------------------------|--------|
| 579 | AE00060  | paint              | 4534                            |        |
| 580 | MC00836  | top cover          | CYCLONE-PWR 1.2t*190*208.5_V1.0 |        |
| 581 | MJ00059  | single light board | 1.2*2135*1220 24.54kg           |        |
| 582 | MG00027  | screw              | M3*12                           |        |