

Service Manual

Model: MAXIDRIVE3.4

3-WAY STEREO DIGITAL CROSSOVER



www.altoproaudio.com

Version: 1.1

CONTENTS

1. Specification.....	2
2. Block Diagram.....	1
3. Schematic Diagram.....,	9
4. Printed Circuit Board.....	8
5. Wiring Diagram.....	1
6. Test Procedure.....	0
7. Electrical Parts List.....	18
8. Exploded Views & Mechanical Parts List.....	1
9. Troubleshooting.....	0
10. Notes.....	0

1. Specifications

General specifications:

INPUT section

Connectors	2 x COMBO
Nominal input sensitivity	0dB(0.775v)
Input Impedance	30KOhm
Max.Input level	+20dBu
Input Gain	-30/+6 dB step 0.5dB
Digital input	AES/EBU, XLR-F
Digital input sample rate	32kHz/48kHz

Output section

Connectors	6 x XLR-M
Output Impedance	600Ohm
Nominal Output level	0dBu
Maximum Output level	+20dBu
Output Gain	-30/+6dB step 0.5dB

DSP Section

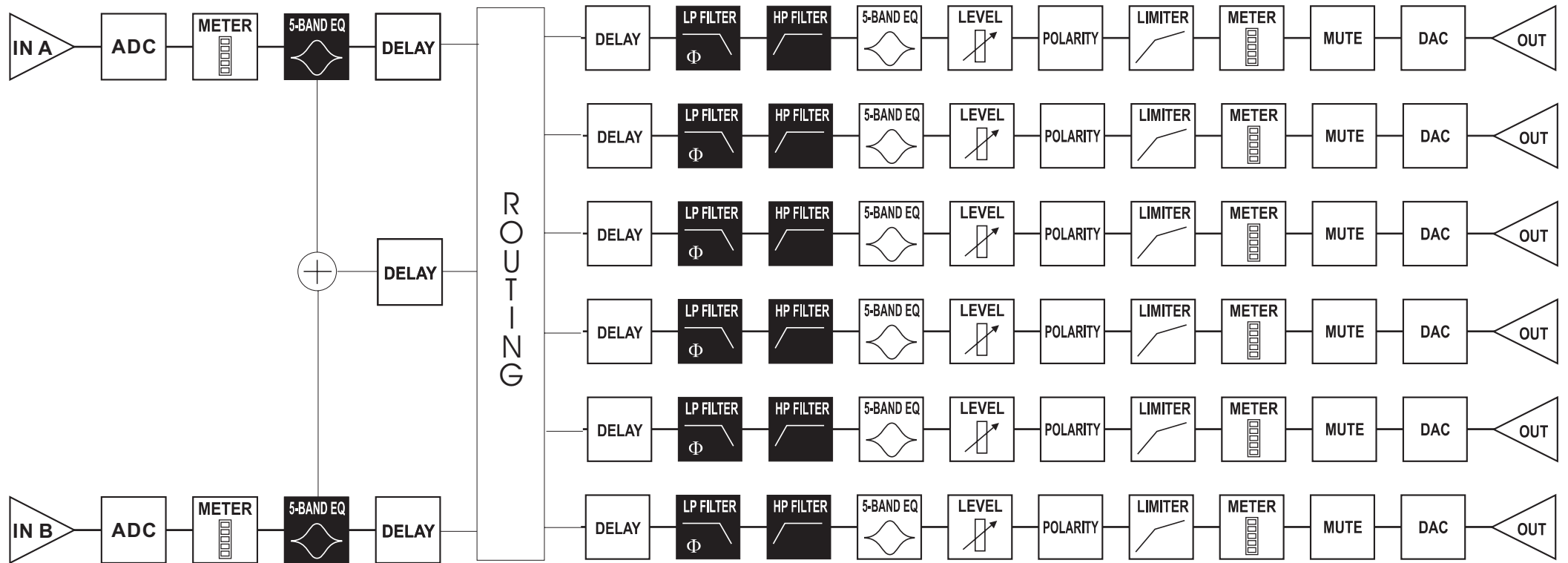
A/D converters	20bit
D/A converters	20bit
Internal dynamics	40bit
Sampling frequency	48kHz

Features

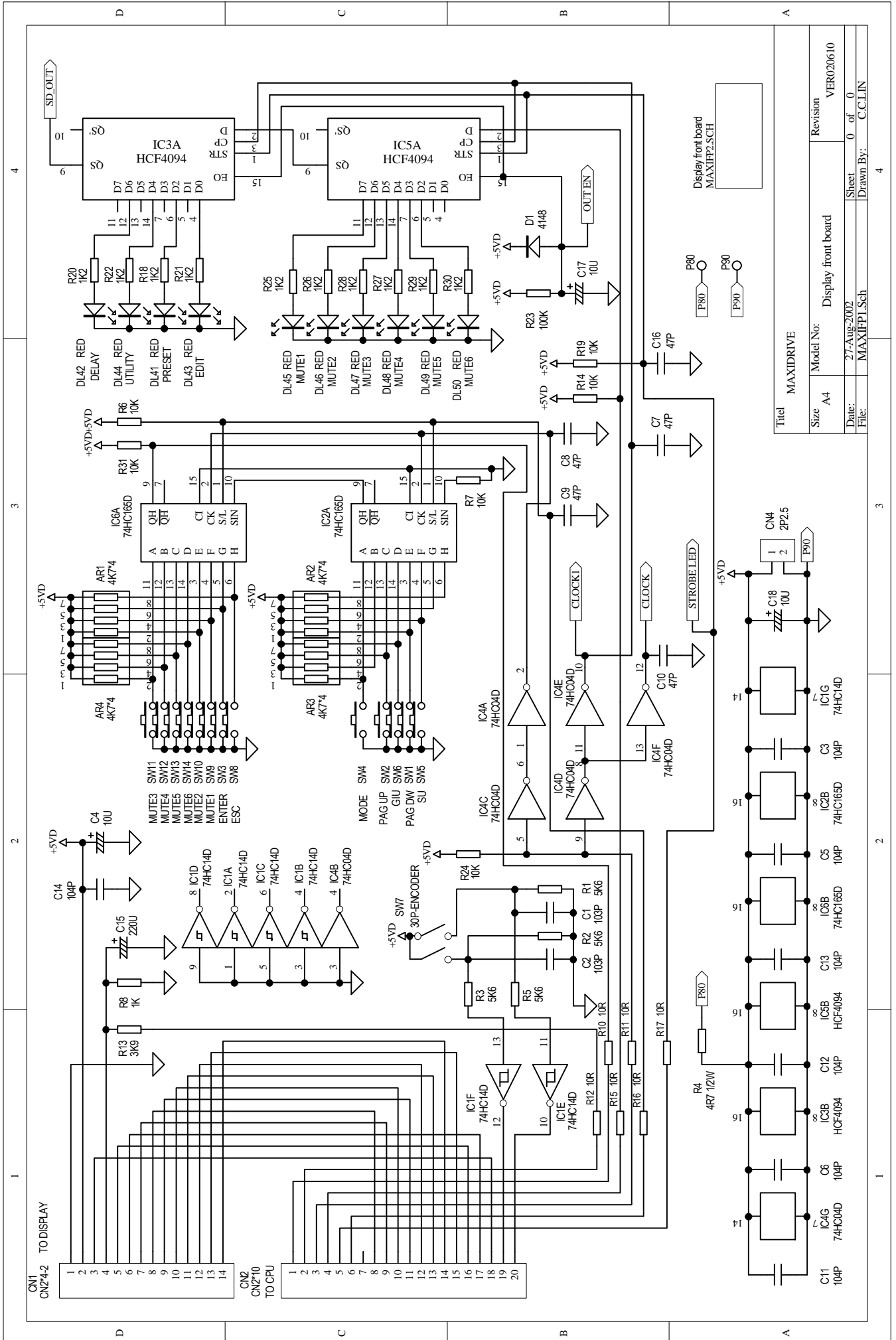
Configuration	2-WAY STEREO, 3-WAY STEREO, 2,3,4,5,6-WAY MONO
Crossover Filters Type	Bessel , Butter worth or Linkwitz-Riley
Crossover Filters Slope	6, 12, 18, 24, or 48dB per octave
Delay Step	21 microseconds minimum
Max Delay time	2621 ms (inputs), 291 ms(output)
EQ filters	Up to 40 maximum (depending on the crossover slope)
EQ Type	Peak, 6dB Lo-Shelf, 12dB Lo-Shelf, 6dB Hi-Shelf, 12dB Hi-Shelf, Notch +/-15dB, variable in 0.05 steps
EQ Gain	+/-15dB, variable in 0.5dB steps
EQ Bandwidth	0.05 to 3.00 octaves, variable in 0.05 steps
EQ freq	15.6Hz to 16kHz
Dynamics	Digital limiter on all the output
Memories	FACTORY PRESETS are 10+128 USER PRESETS +128 CARD PRESETS

Communications	9-pin RS232, XLR-F RS485 IN, XLR-M RS485 OUT
General Performance(with filters out)	
Frequency Response	20Hz-20KHz, 0.25dB
Dynamic range	>117dB 20Hz to 20KHz >120dB 20Hz to 20KHz on AES/EBU input
Channel Separation	>100dB 20Hz to 20KHz
Distortion(THD)	0.05%, 20Hz to 20KHz
Input Meter	-24dB, -18dB, -12dB, -6dB, CLIP relative to Clip point(+20dBu)
Outpur Meter	-24dB, -12dB, -6dB, LIMIT relative to limiter threshold setting, CLIP
General	
Dimensions	483 x 44 x 300mm
Weight	4.0kg

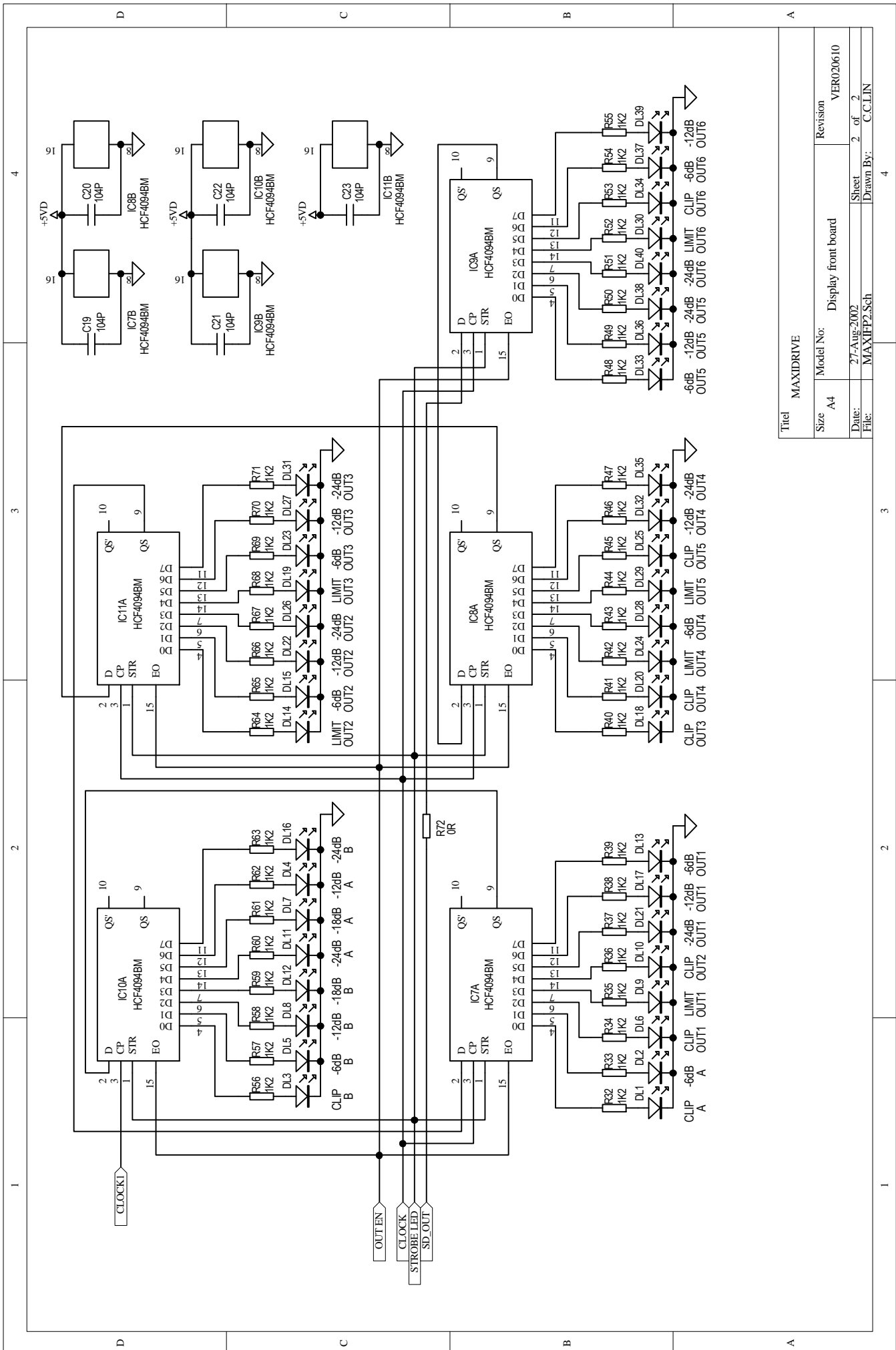
2. Block Diagram



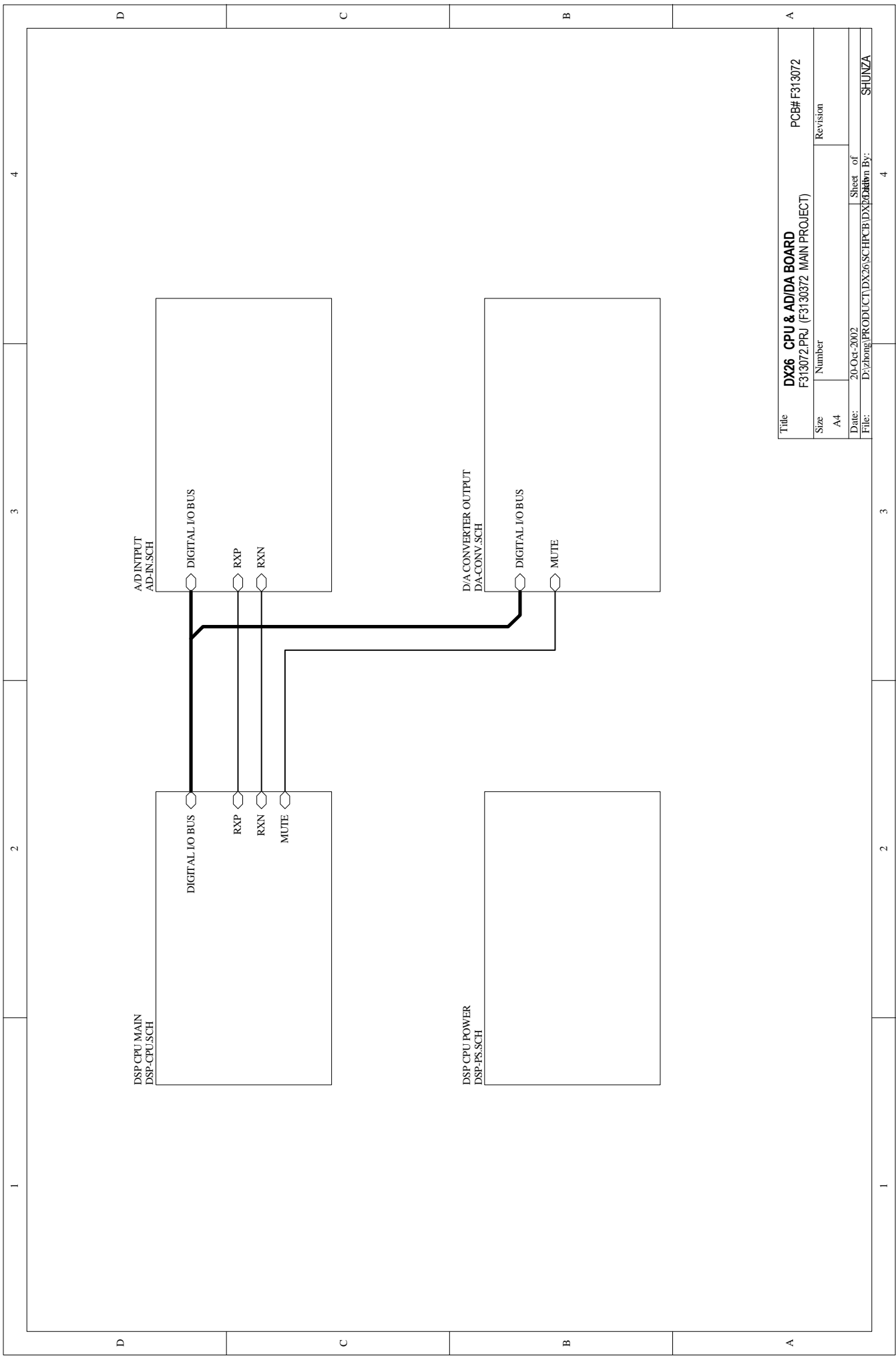
3.Schematic Diagram



Title		MAXIDRIVE	
Size	A4	Model No:	Display front board
Date:	27-Aug-2002	Revision	VER020610
File:	MAXIDRIVE.Sch	Sheet	0 of 0
		Drawn By:	C.CLIN



Titel		MAXIDRIVE	
Size	A4	Model No:	Display front board
Date:	27-Aug-2002	Revision	VER020610
File:	MAXIDR2.Sch	Sheet	2 of 2
		Drawn By:	C.C.LIN



Title		DX26 CPU & AD/DA BOARD		PCB# F313072	
Size		F313072.PRJ (F3130372 MAIN PROJECT)		Revision	
Number					
Date:		20-Oct-2002		Sheet of	
File:		D:\zhong\PRODUCT\DX26\SCH\PCB\DX26.dwg		4	
Drawn By:		SHUNZA			

4

3

2

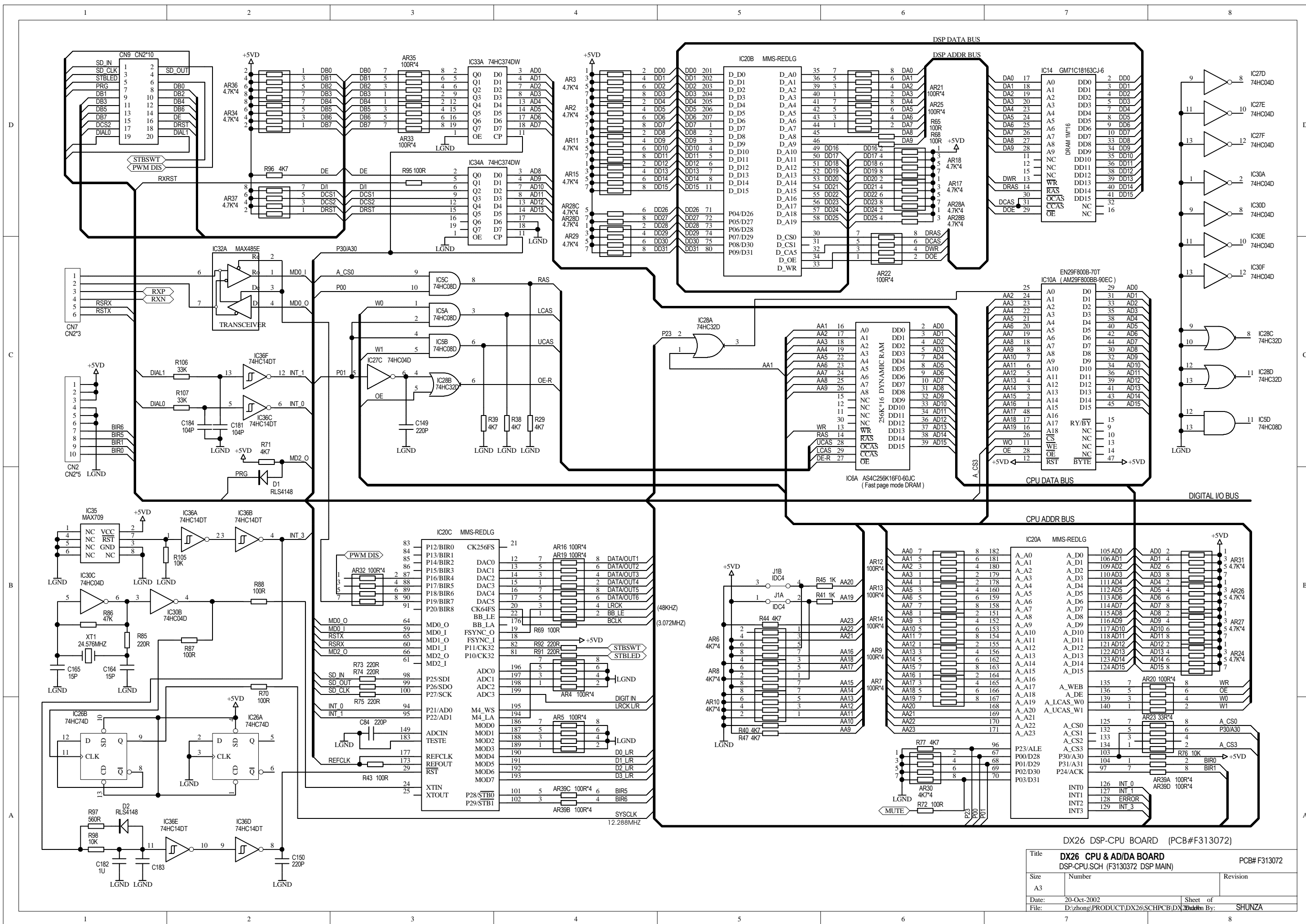
1

4

3

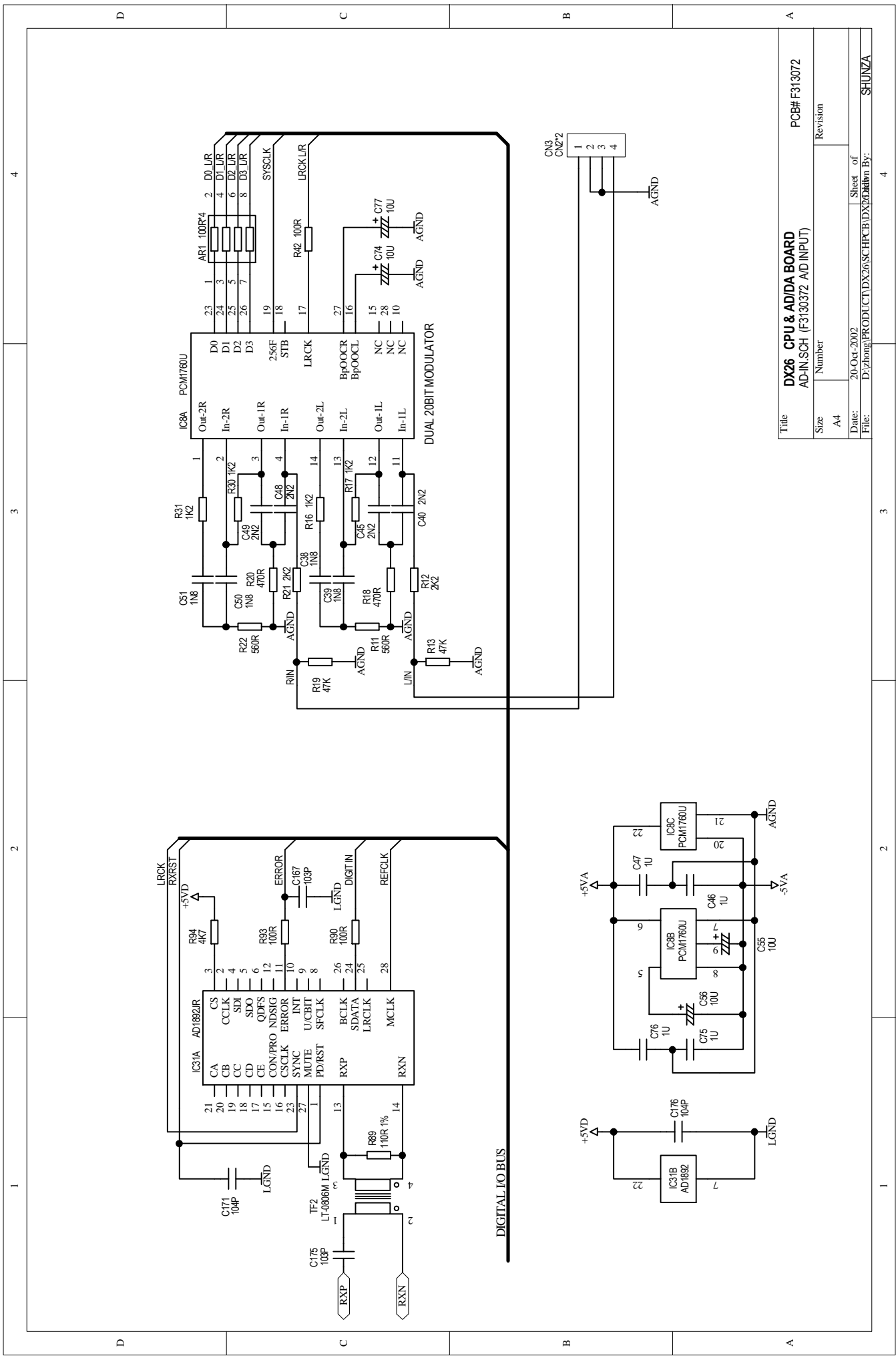
2

1



DX26 DSP-CPU BOARD (PCB#F313072)

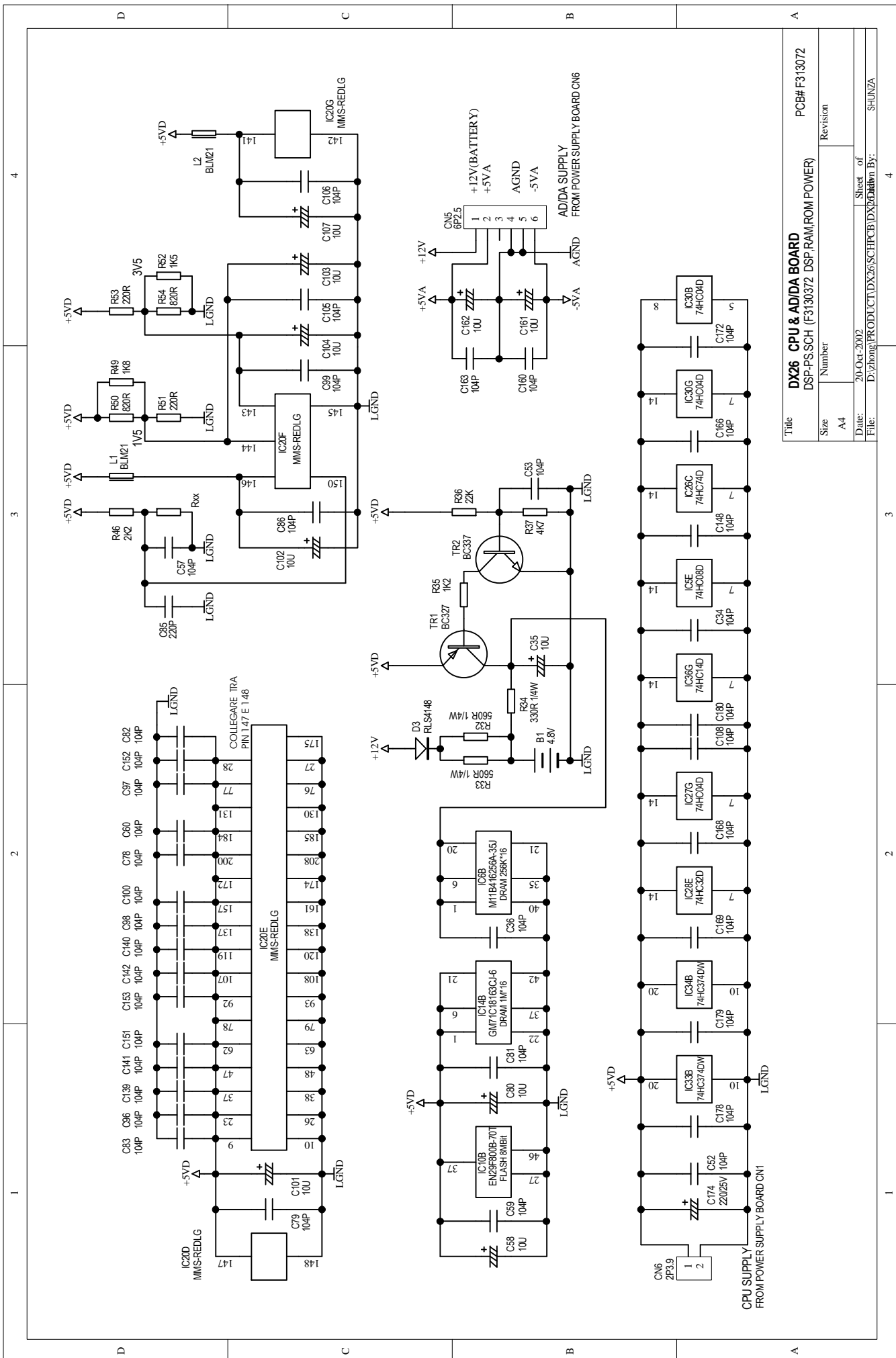
Title		DX26 CPU & AD/DA BOARD		PCB# F313072	
Size		Number		Revision	
Date:		20-Oct-2002		Sheet of	
File:		D:\zhong\PRODUCT\DX26\SCHPCB\DX26.DSN		Drawn By: SHUNZA	



Title		DX26 CPU & AD/DA BOARD	
AD-IN.SCH (F313037Z AD INPUT)		PCB# F313072	
Size	Number	Revision	
A4			
Date:	20-Oct-2002	Sheet of	
File:	D:\zhong\PRODUCT\DX26\SCH\PCB\DX26.DXP	Revision By:	
		SHUNZA	

1 2 3 4

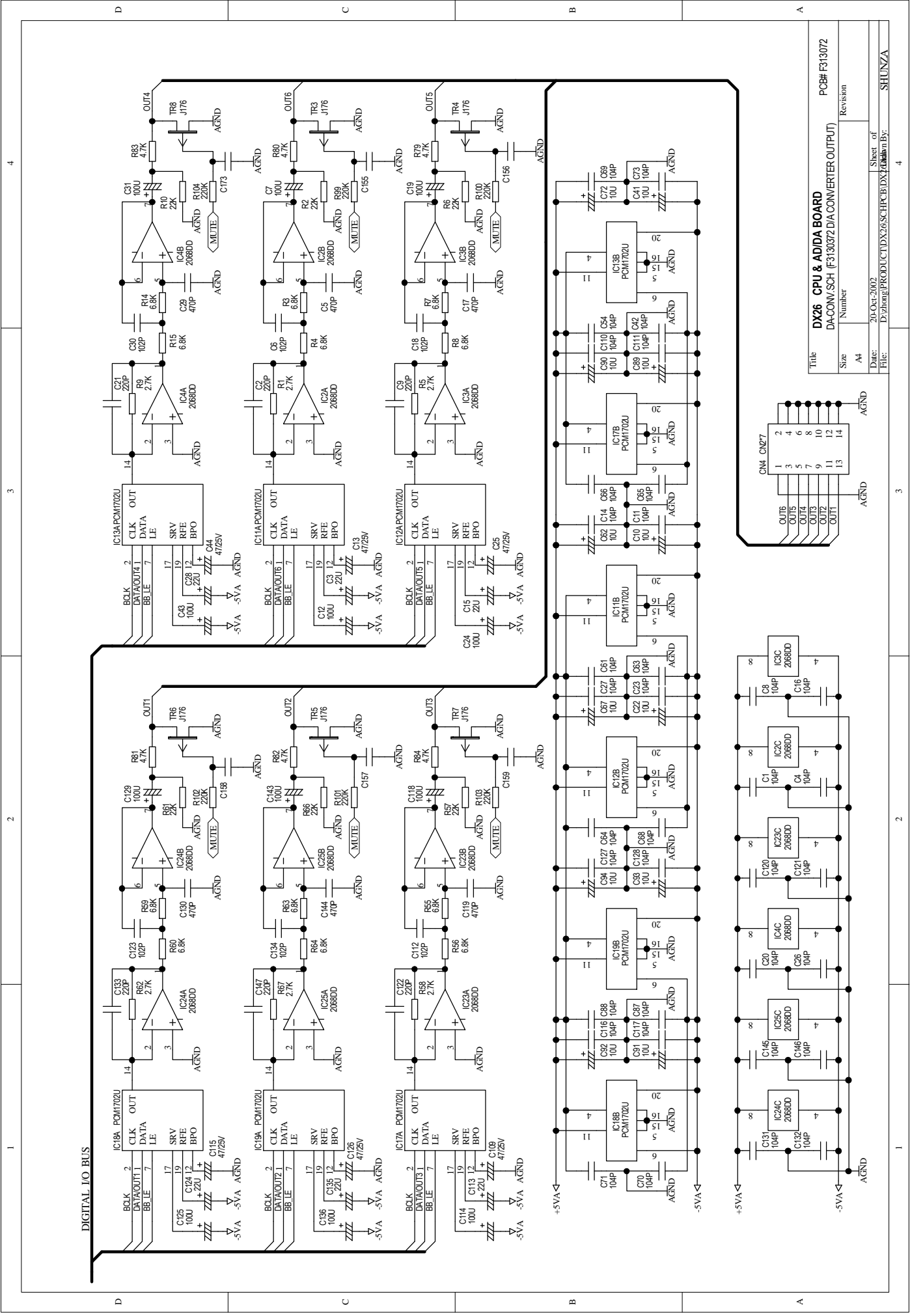
1 2 3 4



Title		Revision	
DX26 CPU & AD/DA BOARD		PCB# F313072	
DSP-PS-SCH (F3130372 DSP-FRAM/ROM-POWER)			
Size	Number		
A4			
Date:	Sheet of		
20-Oct-2002	4		
File:	Drawn By:		
D:\zhong\PRODUCT\DX26\SCH\PCB\DX26.DWG	SHUNZA		

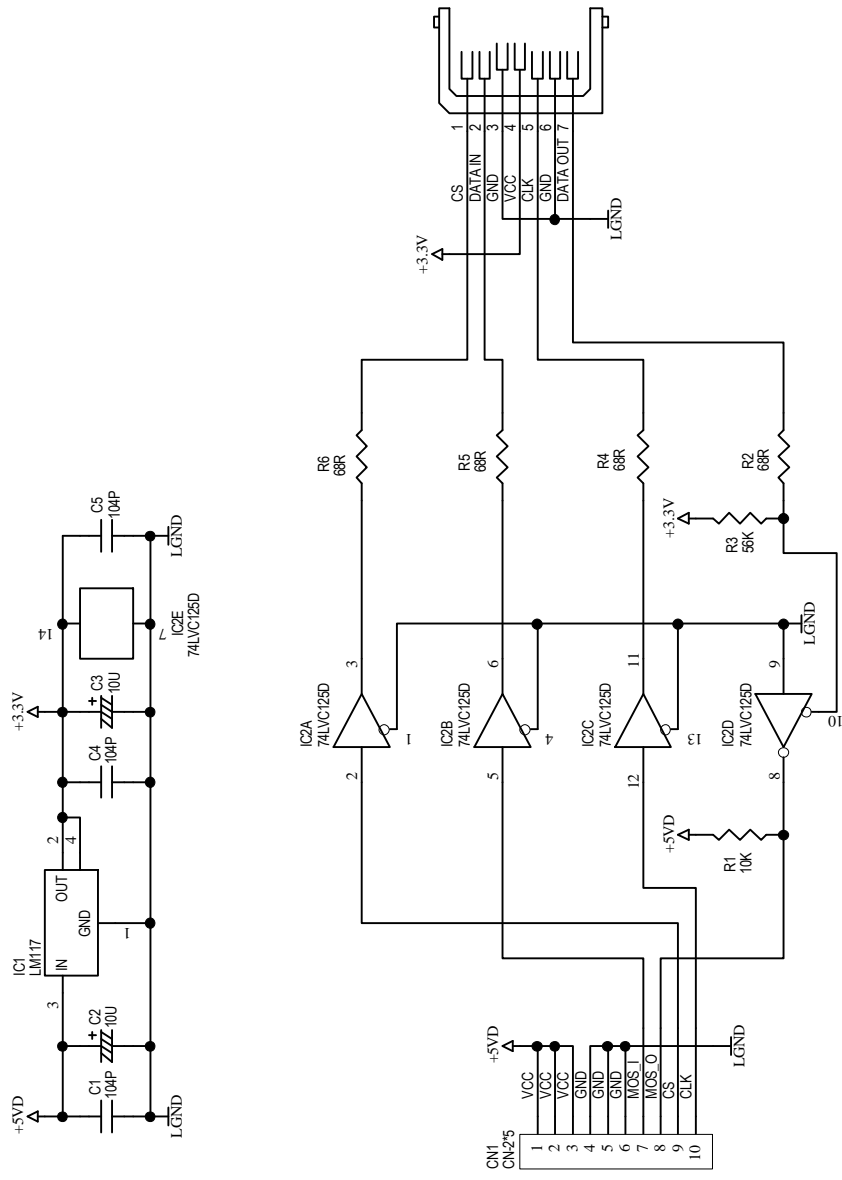
1 2 3 4

1 2 3 4

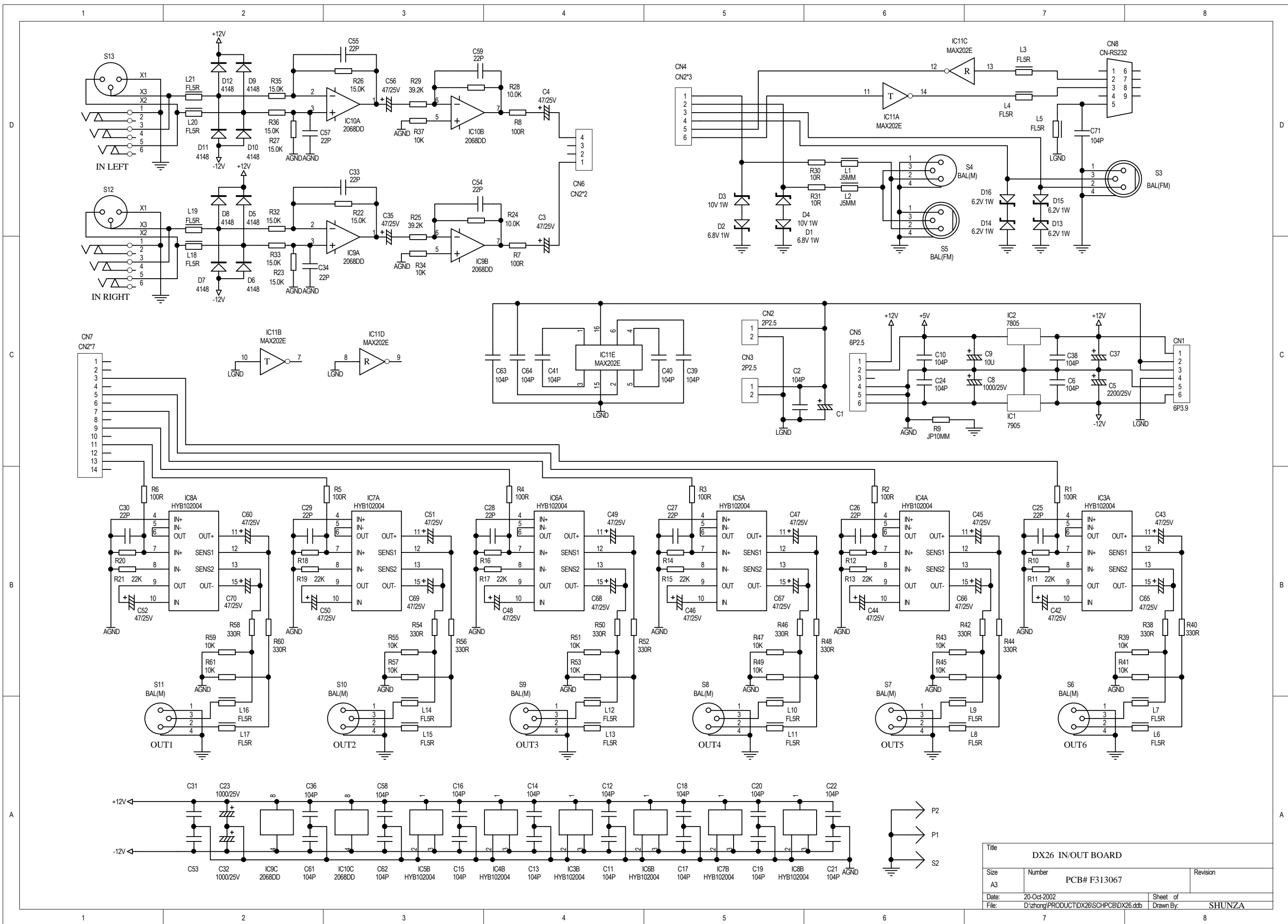


DIGITAL I/O BUS

Title		DX26 CPU & AD/DA BOARD		PCB# F313072	
DA-CONV/SCH (F3130372/D/A CONVERTER OUTPUT)		Revision		Revision	
Size	A4	Sheet of			
Date:	20-Oct-2002	File:	D:\zhong\PROD\ICT\DX26\SCH\PCB\DX26\daconv.sch		
Drawn By:	SHUNZA				

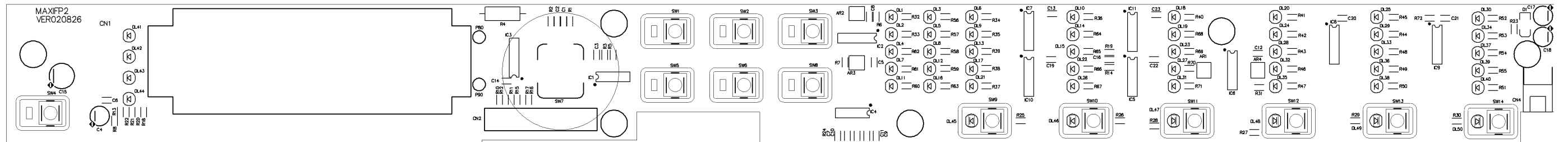


Title		PCB# F313085	
Size	Number	Revision	
A4			
Date:	20-Oct-2002	Sheet of	
File:	D:\zhong\PRODUCT\DX26\SCHPCB\DX26.dwg	Drawn By:	SHUNZA

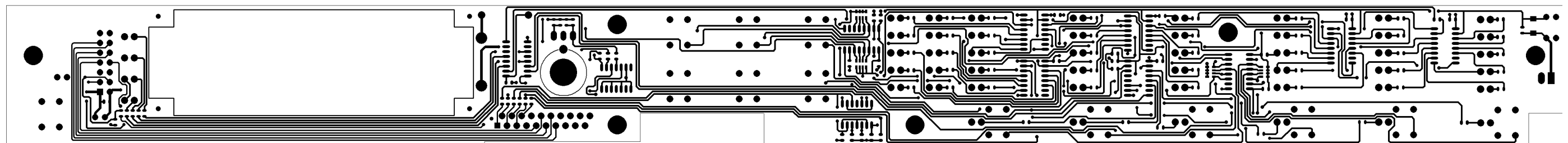


Title			DX26 IN/OUT BOARD		
Size	Number	PCB# F313067		Revision	
A3					
Date:	20-Oct-2002	Sheet of			
File:	D:\zhong\PRODUCT\DX26SCHPCB\DX26.ddb	Drawn By:		SHUNZA	

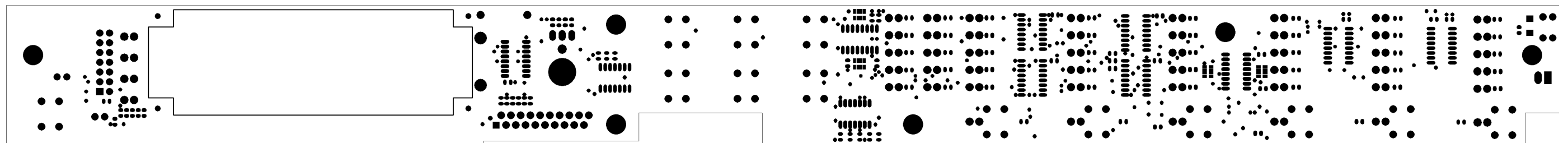
4. Printed Circuit Diagram



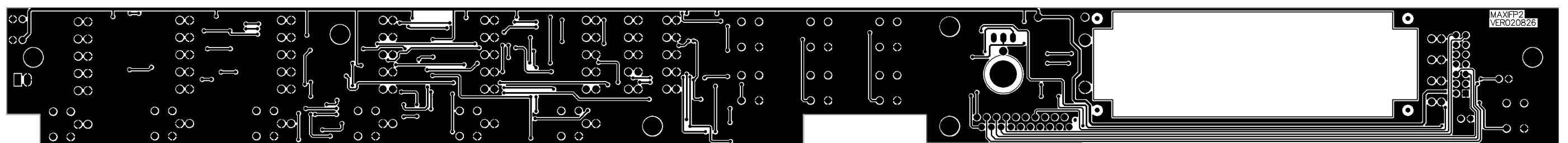
MAXIFP2 Top Silkscreen



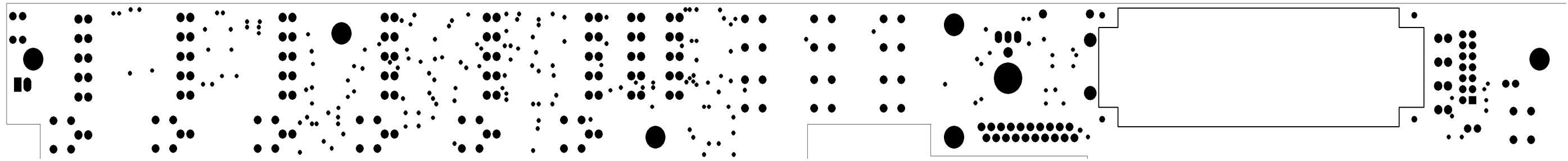
MAXIFP2 Top Layer



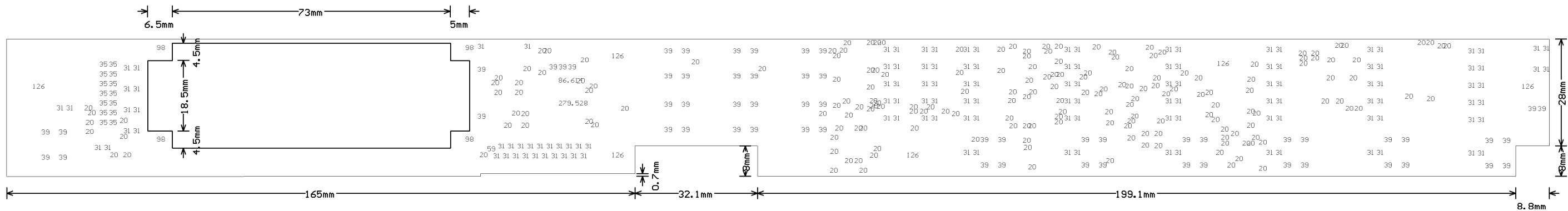
MAXIFP2 Top Solder Mask



MAXIFP2 Bottom Layer

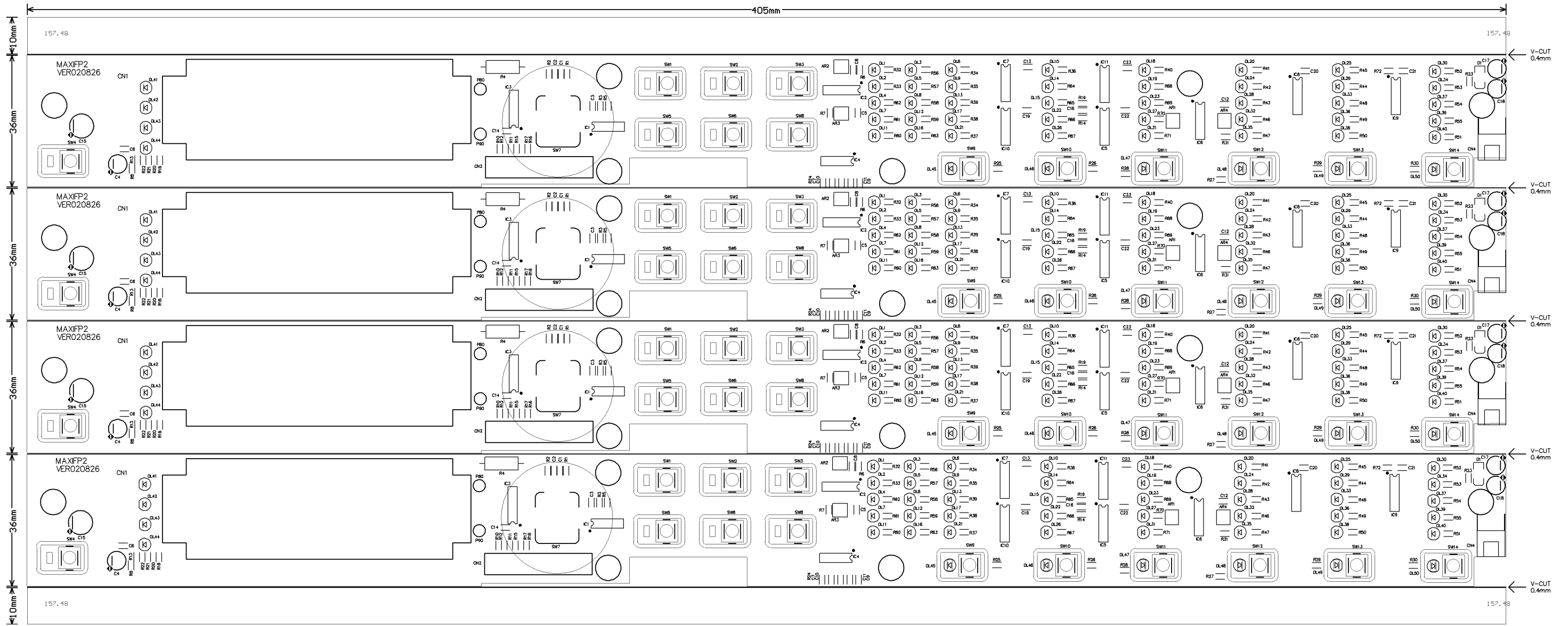


MAXIFP2 Bottom Solder Mask

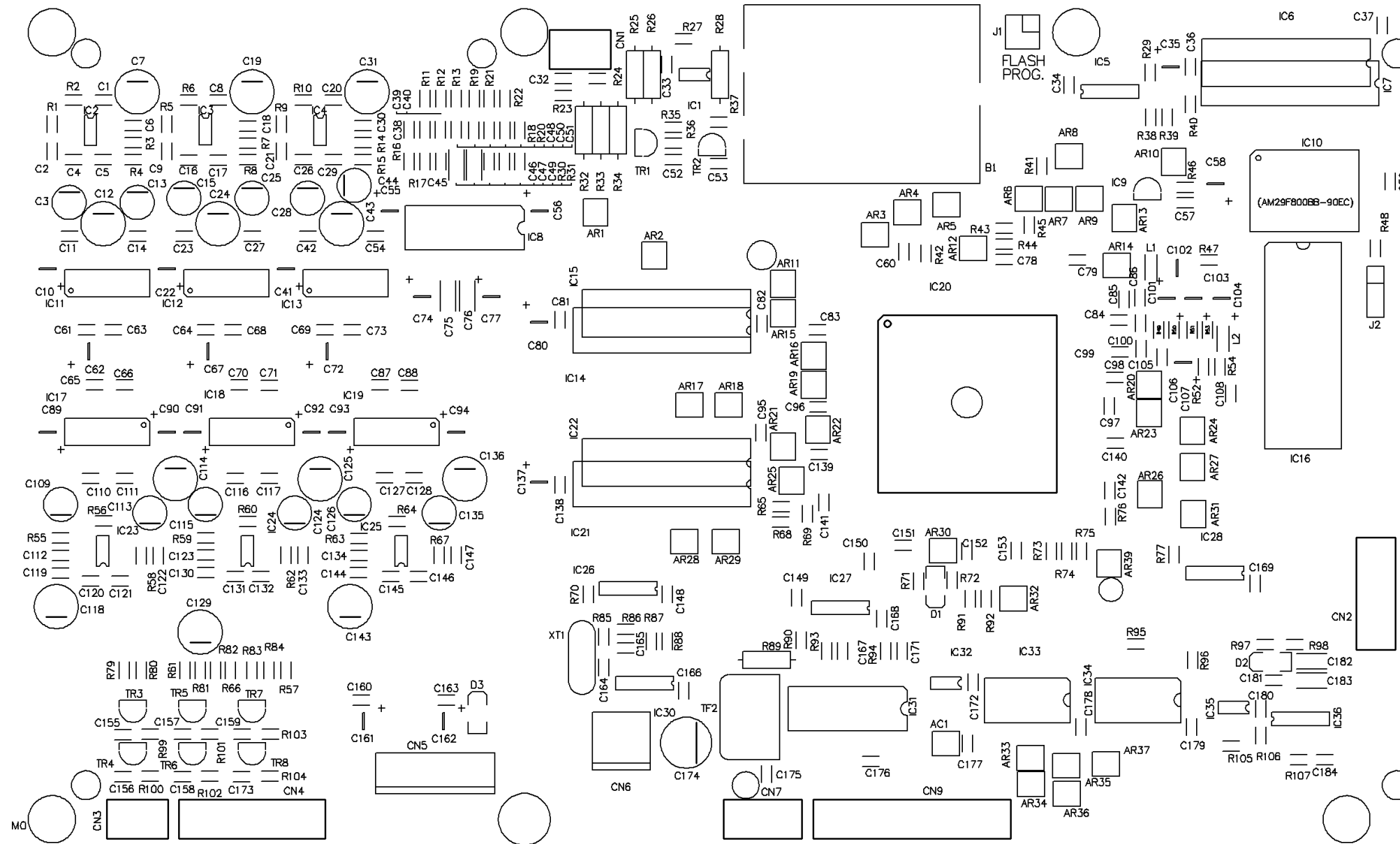


MAXIFP2 Drill Drawing

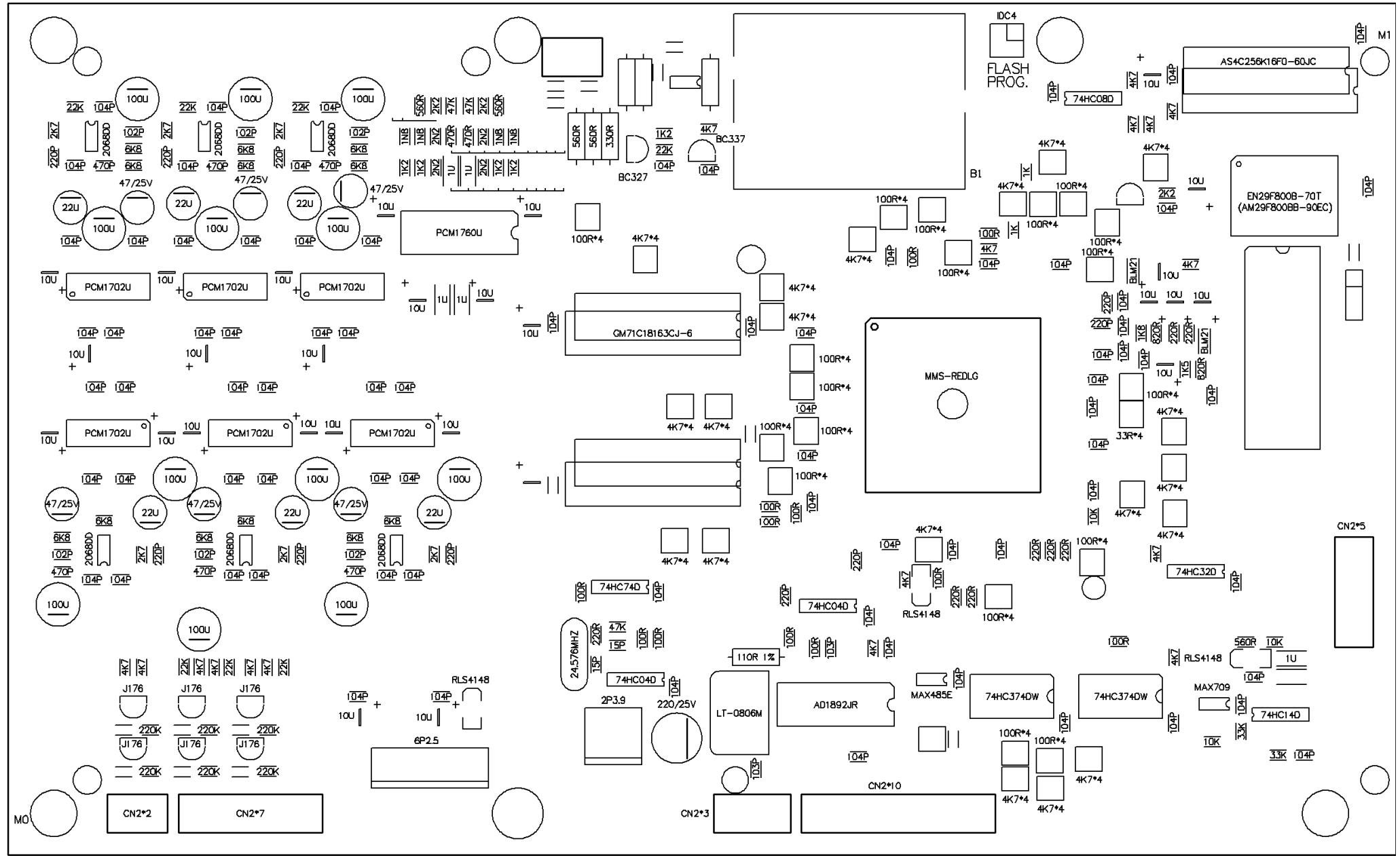
Tool	Hole Size	Hole Count Plated
T1	20mil (0.508mm)	184
T2	31mil (0.7874mm)	130
T3	35mil (0.889mm)	14
T4	39mil (0.9906mm)	59
T5	59mil (1.4986mm)	1
T6	87mil (2.2098mm)	1
T7	98mil (2.4892mm)	4
T8	126mil (3.2004mm)	6
T9	280mil (7.112mm)	1
Totals		400



PCB:F313072

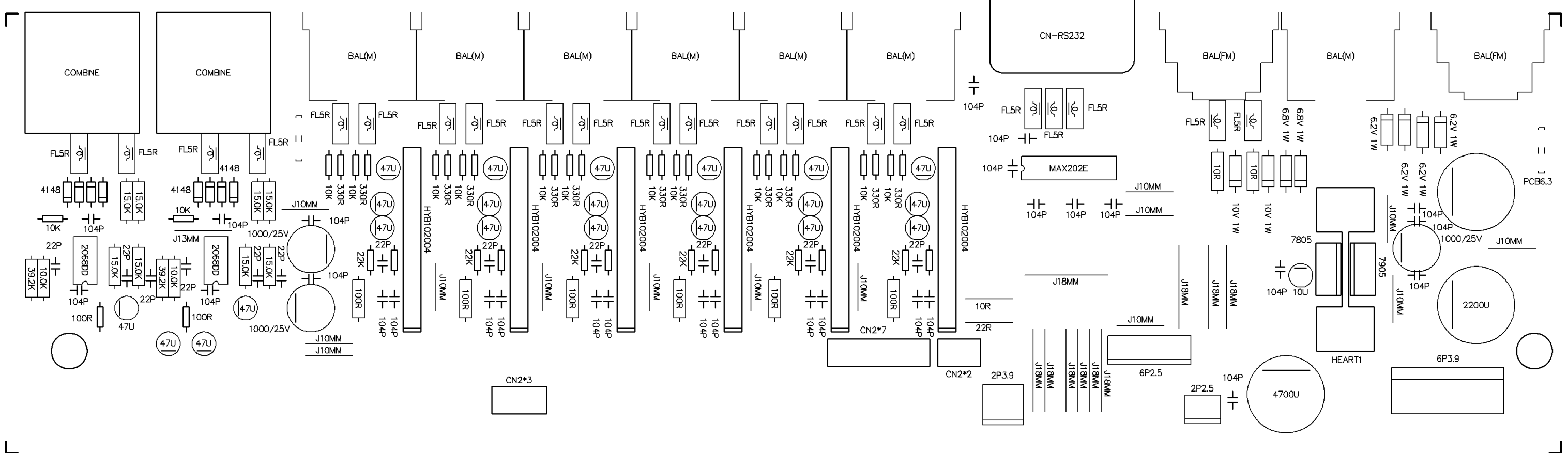
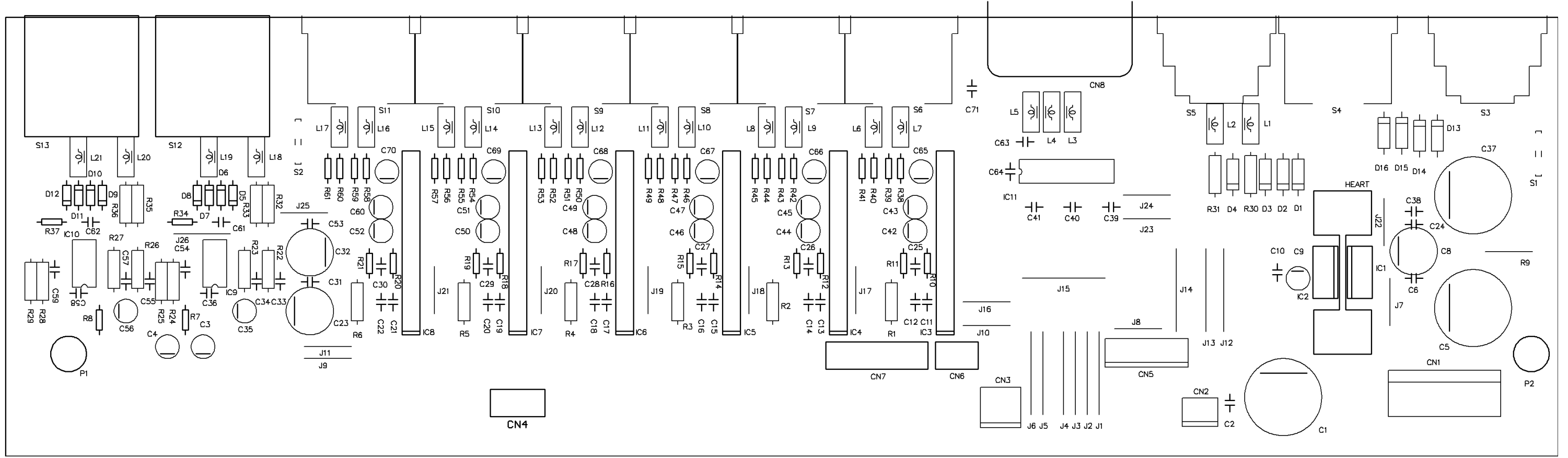


F313072 Top Silkscreen

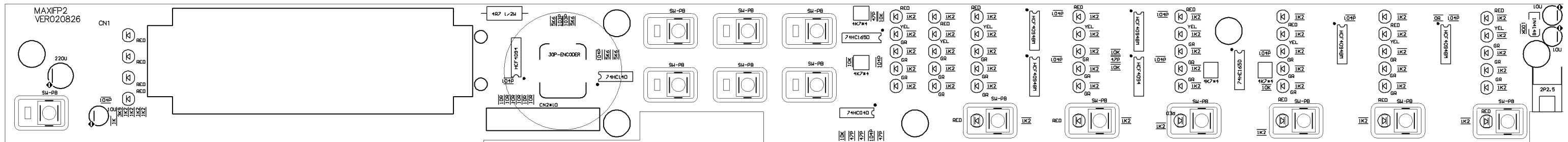
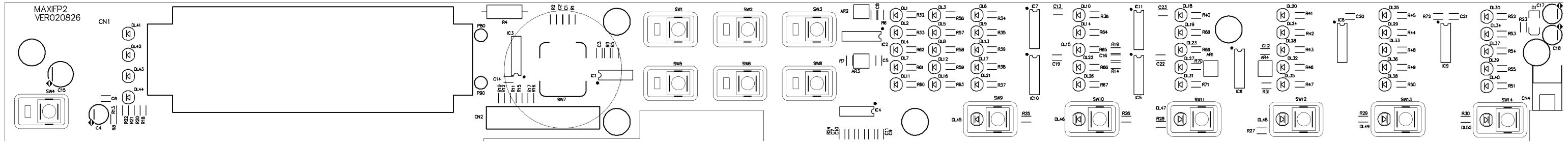


F313072 Top Silkscreen

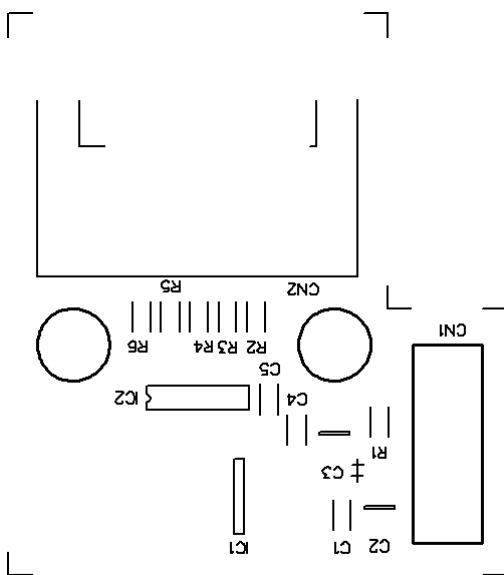
PCB:F313067



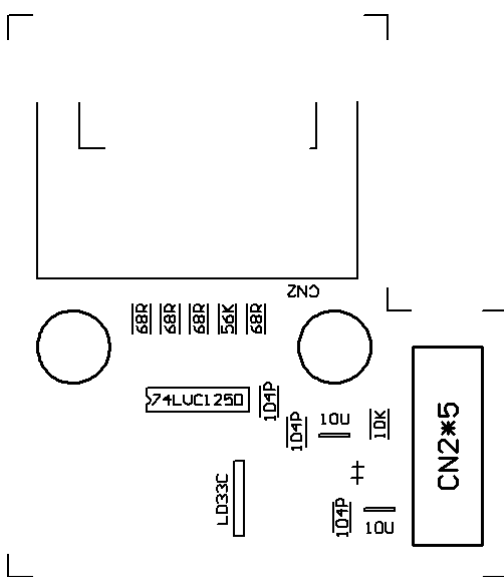
PCB:MAXIFP2



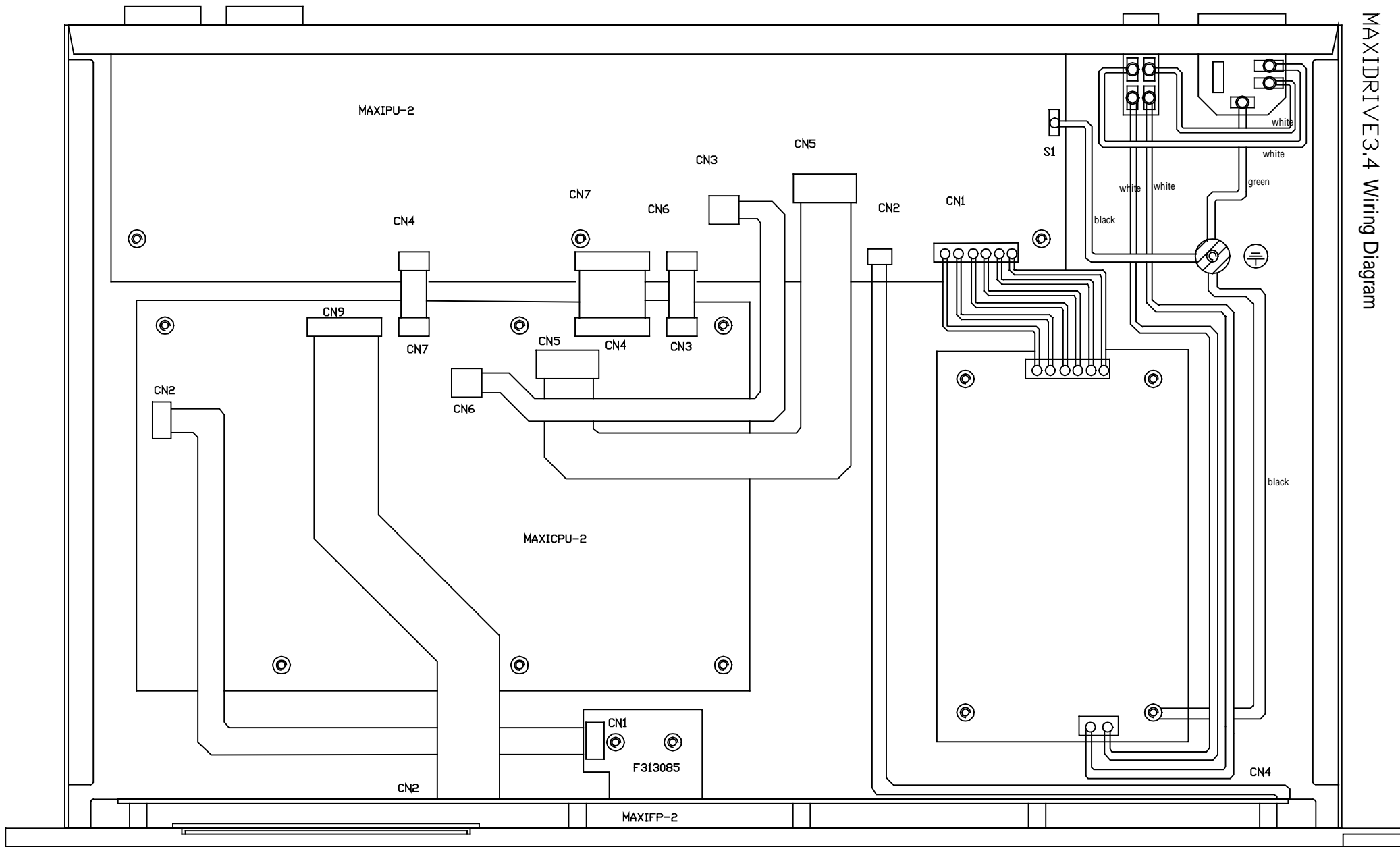
PCB:F313085



F313085 TOP SILKSCREEN



F313085 TOP SILKSCREEN



MAXIDRIVE3.4 Wiring Diagram

Multi-Level BOM Structure Listing

Report No.: IEB0_P02
 Prepared by 980029[廖芙蓉]

Date 2003/04/12
 Page No.: 1 / 18

Item No. PF00755 Version
 DESCRIPTION: MAXIDRIVE3.4 UNIT: PCS
 MAXIDRIVE3.4_ALTO_85~264V 歐規 CHINA Date: 2002/11/17

Version	Item No	Loss %	Ver.	Unit	Cardinal	Effective Date
Component Remark	Item Descri				Usage Rate	@:Phantom Layer Attrition Rate
0001-----	MA03541 panel MAXIDRIVE3.4			PCS	1.0000 1	2002/11/17 Y
0001-----	MA03539 panel MAXIDRIVE3.4			PCS	1.0000 1	2002/12/14 N
0001-----	MA03538 panel MAXIDRIVE3.4			PCS	1.0000 1	2002/07/19 N
0001-----	MA03537 panel MAXIDRIVE3.4			PCS	1.0000 1	2002/07/19 N
0001-----	MI01380 panel 44.2*6.5*483			PCS	1.0000 1	2002/07/19 N
0002-----	MB02386 rear board MAXIDRIVE3.4			PCS	1.0000 1	2002/11/17 Y
0001-----	MB02384 rear boardd MAXIDRIVE3.4			PCS	1.0000 1	2002/12/14 N
0001-----	MB02383 rear board MAXIDRIVE3.4			PCS	1.0000 1	2002/07/19 N
0001-----	MJ00058 iron board 1*2135*1220 20.45kg			PCS KG	1.0000 80	2002/07/19 N
0003-----	MC00441 top cover MAXIDIRVE3.4			PCS	1.0000 1	2002/11/17 Y
0001-----	MC00416 top cover MAXIDIRVER3.4			PCS	1.0000 1	2003/02/08 N
0001-----	MJ00059 iron board 1.2*2135*1220 24.54kg			PCS KG	1.0000 16	2003/04/02 N
0004-----	MI00237 heat-sink 4*34.5*16.5*34.5 FX22			PCS	1.0000 1	2002/11/17 Y
0005-----	MI00409 fixed piece FX22			PCS	1.0000 1	2002/11/17 Y
0006-----	NI02245 heat conduction rubber 25*25*0.25 white (3M #9890)			PCS	1.0000 1	2002/11/17 Y
0007-----	NI00828 knob 12*7*10.7 072C blue			PCS	13.0000 1	2002/11/17 Y
0008-----	NI02223 light piller 9*5*2.5			PCS	6.0000 1	2002/11/17 Y
0009-----	NI02238 knob 3*W6*25.5 072C			PCS	7.0000 1	2002/11/17 Y
0010-----	NI01542 LED spacer support 3*9.5			PCS	8.0000 1	2002/11/17 Y
0011-----	NI02117 knob 30*12.5			PCS	1.0000 1	2002/11/17 Y
0012-----	NI02217 lacid plastic panel MAXIDRIVE2.3,3.4			PCS	1.0000 1	2002/11/17 Y
0001-----	NI00830 lacid plastic panel 3.5*106*33mm CONTROL60			PCS	1.0000 1	2002/12/24 N

Multi-Level BOM Structure Listing

Report No.: IEB0_P02
 Prepared by 980029[廖芙蓉]

Date 2003/04/12
 Page No.: 2 / 18

Item No. PF00755 Version
 DESCRIPTION: MAXIDRIVE3.4 UNIT: PCS
 MAXIDRIVE3.4_ALTO_85~264V_歐規_CHINA Date: 2002/11/17

Version	Item No	Loss %	Ver.	Unit	Cardinal	Effective Date
Component Remark	Item Descri				Usage Rate	@:Phantom Layer Attrition Rate
0013-----	HA00860 alimentation line			PCS	1.0000 1	2002/11/17 Y
0014-----	LT-322+0.75*3C(H05VV-F) 6FT+LT-501 HI00030 power switch			PCS	0.00 1.0000 1	% 2002/11/17 Y
0015-----	4P R9D2KKFT0F(SHOW 1/0) HC00008			PCS	0.00 1.0000 1	% 2002/11/17 Y
0016-----	AC outlet 3515 A TYPE(RF-2004-C-4.8) NC00089			PCS	0.00 1.0000 1	% 2002/11/17 Y
0001-----	wood washer 4* 10*1 NC00088			PCS	0.00 1.0000 1	% 2003/02/25 N
0001-----	insulation 10*1 NC00014			KG	0.00 100.0000 39000000	% 2002/04/04 N
0017-----	insulator 0.65M*60M*1t NI00252			PCS	0.00 7.0000 1	% 2002/11/17 Y
0001-----	sleeve 4*20mm NI00248			M	0.00 20.0000 1000	% 2002/06/04 N
0018-----	sleeve 4*1000mm NI00254			PCS	0.00 1.0000 1	% 2002/11/17 Y
0001-----	sleeve 4*40mm NI00248			M	0.00 40.0000 1000	% 2002/06/04 N
0019-----	sleeve 4*1000mm MG00167			PCS	0.00 7.0000 1	% 2002/11/17 Y
0020-----	screw M3*10 MG00042			PCS	0.00 2.0000 1	% 2002/11/17 Y
0021-----	screw M3*10 MG00061			PCS	0.00 18.0000 1	% 2002/11/17 Y
0022-----	screw M3*10 MG00027			PCS	0.00 4.0000 1	% 2002/11/17 Y
0023-----	screw M3*12 MF00037			PCS	0.00 1.0000 1	% 2002/11/17 Y
0024-----	washer 3* 5*1t ME00016			PCS	0.00 1.0000 1	% 2002/11/17 Y
0025-----	colour nut 4m/m MF00038			PCS	0.00 1.0000 1	% 2002/11/17 Y
0026-----	washer 4* 7*1t MF00048			PCS	0.00 3.0000 1	% 2002/11/17 Y
0027-----	washer 4* 8*0.5t MF00014			PCS	0.00 9.0000 1	% 2002/11/17 Y
0028-----	washer 3* 6.5*0.5t HA01174			PCS	0.00 1.0000 1	% 2002/11/17 Y
0029-----	signle terminal wiring CF:W146 80 green/yellow HA02190			PCS	0.00 2.0000 1	% 2002/11/17 Y
0030-----	wire 150mm HA02191			PCS	0.00 1.0000 1	% 2002/11/17 Y
	wire 170mm			PCS	0.00 1	% Y

Multi-Level BOM Structure Listing

Report No.: IEB0_P02
 Prepared by 980029[廖芙蓉]

Date 2003/04/12
 Page No.: 3 / 18

Item No. PF00755 Version
 DESCRIPTION: MAXIDRIVE3.4 UNIT: PCS
 MAXIDRIVE3.4_ALTO_85~264V 歐規 CHINA Date: 2002/11/17

Version	Item No	Loss %	Ver.	Unit	Cardinal	Effective Date
Component Remark	Item Descri				Usage Rate	@:Phantom Layer Attrition Rate
0031-----	HA01502 header wiring 6P-6P 120			PCS	1.0000 1	2002/11/17 Y
0032-----	HA02248 wire 2P-2P 250mm UL1007 24AWG			PCS	1.0000 1	2002/11/17 Y
0033-----	HA01651 header wiring FL-0462A 4P-4P PH1.27 50			PCS	1.0000 1	2002/11/17 Y
0034-----	HA01652 header wiring FL-0463A 6P-6P PH1.27 30			PCS	1.0000 1	2002/11/17 Y
0035-----	HA01653 header wiring FL-0464A 14P-14P PH1.27 50			PCS	1.0000 1	2002/11/17 Y
0036-----	HA01654 header wiring FL-0465A 10P-10P PH1.27 250			PCS	1.0000 1	2002/11/17 Y
0037-----	HA01655 header wiring FL-0466A 20P-20P PH1.27 300			PCS	1.0000 1	2002/11/17 Y
0038-----	HA01696 header wiring IF:W40 3P 350			PCS	1.0000 1	2002/11/17 Y
0039-----	HA01697 header wiring IF:W41 6P-6P 100			PCS	1.0000 1	2002/11/17 Y
0040-----	HA01699 header wiring 2P-2P 120			PCS	1.0000 1	2002/11/17 Y
0041-----	NI01594 MOUNT TH-1			PCS	2.0000 1	2002/11/17 Y
0042-----	NI01627 fixed bracket CM-19S			PCS	2.0000 1	2002/11/17 Y
0043-----	NI00218 cable tie-black ALT-102SB			PCS	4.0000 1	2002/11/17 Y
0044-----	NI00217 insulator CONTROL30			PCS	1.0000 1	2002/11/17 Y
0001-----	NI00216 insulator 0.5*130*100			PCS	1.0000 1	2003/02/25 N
0001-----	NI00375 film 45*60.5*0.5mm			PCS	1.0000 1	2002/04/06 N
0045-----	NI00200 insulator 0.5*100*130(DX24)			PCS	1.0000 1	2002/11/17 Y
0001-----	NI00375 film 45*60.5*0.5mm			PCS	1.0000 1	2003/02/25 N
0046-----	TG00029 voltage transformer SNP-9541 40W(AC-DC)			PCS	1.0000 1	2002/11/17 Y
0047-----	NI00501 foot cushion 12.7*9*3t(SF-004)			PCS	4.0000 1	2002/11/17 Y
0048-----	NA00137 clip-chain bag 5*7			PCS	1.0000 1	2002/11/17 Y
0049-----	NA00123 PE bag 300*580*0.04			PCS KG	1.0000 1	2002/11/17 Y

Multi-Level BOM Structure Listing

Report No.: IEB0_P02
 Prepared by 980029[廖芙蓉]

Date 2003/04/12
 Page No.: 4 / 18

Item No. PF00755 Version
 DESCRIPTION: MAXIDRIVE3.4 UNIT: PCS
 MAXIDRIVE3.4_ALTO_85~264V_歐規_CHINA Date: 2002/11/17

Version	Item No	Loss %	Ver.	Unit	Cardinal	Effective Date
Component Remark	Item Descri				Usage Rate	@:Phantom Layer Attrition Rate
0050-----	HJ00006 desiccant 30g			PCS	1.0000 1	2002/11/17 Y
0051-----	NF00061 assurance card LTO			PCS	1.0000 1	2002/11/17 Y
0052-----	NB02177 box			PCS	1.0000 1	2003/01/06 Y
0053-----	MAXIDRIVE3.4 NB02161 barrier			PCS	1.0000 1	2003/01/15 Y
0054-----	MAXIDRIVE3.4 NB02162 barrier			PCS	1.0000 1	2003/01/15 Y
0055-----	MAXIDRIVE3.4 NB02088 box			PCS	1.0000 4	2003/01/07 Y
0056-----	(1H) ALTO 19" NE05004 label			PCS	4.0000 1	2002/11/17 Y
0057-----	ALTO NE10542 label			PCS	4.0000 1	2002/11/17 Y
0001-----	MAXIDRIVE3.4 NH00012 bond paper			M	1.0000 80	2003/02/16 N
0002-----	0.04*1M NI00014 membrane			M	1.0000 80	2003/02/16 N
0058-----	0.035*1M MI01466 front board			PCS	1.0000 1	2002/11/17 Y
0001-----	MAXIDRIVE3.4 MJ00063 Zn-plated board			PCS	1.0000 95	2003/02/25 N
0002-----	1.2*2135*1220 24.54kg ME00040 iron pillar			PCS	9.0000 1	2003/02/25 N
0059-----	hexagon6.35*M3*10.1 MB01413 bottom board			PCS	1.0000 1	2002/11/17 Y
0001-----	MAXIDRIVE3.4 MB01411 bottom board			PCS	1.0000 1	2003/01/12 N
0001-----	MAXIDRIVE3.4 MB01409 rear board			PCS	1.0000 1	2002/07/11 N
0001-----	MAXIDRIVE3.4 MJ00059 iron board			PCS	1.0000 12	2002/07/11 N
0060-----	1.2*2135*1220 24.54kg HK02943 PC board			PCS	1.0000 1	2002/11/17 Y
0001-----	P-MAXIFP2-2-DIP HK02942 PC board			PCS	1.0000 1	2002/10/03 Y
0001-----	P-MAXIFP2-2-SMD HB00779 PC board			PCS	1.0000 1	2002/10/03 Y
0002-----	MAXIFP2(1*4)_VER020826 RD00059 SMDfixed resistor 1/10W			PCS	1.0000 1	2002/10/03 Y
	0 ±5% 0603 R72				0.00	%

Multi-Level BOM Structure Listing

Report No.: IEBO_P02
 Prepared by 980029[廖芙蓉]

Date 2003/04/12
 Page No.: 5 / 18

Item No. PF00755 Version
 DESCRIPTION: MAXIDRIVE3.4 UNIT: PCS
 MAXIDRIVE3.4_ALTO_85~264V_歐規_CHINA Date: 2002/11/17

Version	Item No	Loss %	Ver.	Unit	Cardinal	Effective Date
Component Remark	Item Descri				Usage Rate	@:Phantom Layer Attrition Rate
0003-----	RD00061 SMDfixed resistor 1/10W 10 ±5% 0603 R10,R11,R12,R15,R16,R17			PCS	6.0000 1 0.00 %	2002/10/03 Y
0004-----	RD00083 SMDfixed resistor 1/10W 1.0K ±5% 0603 R8			PCS	1.0000 1 0.00 %	2002/10/03 Y
0005-----	RD00084 SMDfixed resistor 1/10W 1.2K ±5% 0603 R18,R20,R21,R22,R25,R26,R27,R28,R29,R30,R32,R33,R34, R35,R36,R37,R38,R39,R40,R41,R42,R43,R44,R45,R46,R47, R48,R49,R50,R51,R52,R53,R54,R55,R56,R57,R58,R59,R60, R61,R62,R63,R64,R65,R66,R67,R68,R69,R70,R71			PCS	50.0000 1 0.00 %	2002/10/03 Y
0006-----	RD00092 SMDfixed resistor 1/10W 3.9K ±5% 0603 R13			PCS	1.0000 1 0.00 %	2002/10/03 Y
0007-----	RD00095 SMDfixed resistor 1/10W 5.6K ±5% 0603 R1,R2,R3,R5			PCS	4.0000 1 0.00 %	2002/10/03 Y
0008-----	RD00101 SMDfixed resistor 1/10W 10K ±5% 0603 R14,R19,R24,R31,R6,R7			PCS	6.0000 1 0.00 %	2002/10/03 Y
0009-----	RD00116 SMDfixed resistor 1/10W 100K ±5% 0603 R23			PCS	1.0000 1 0.00 %	2002/10/03 Y
0010-----	CI00055 SMDceramic capacitor0603 47PF/50V NPO ±5% C10,C16,C7,C8,C9			PCS	5.0000 1 0.00 %	2002/10/03 Y
0011-----	CI00071 SMDceramic capacitor0603 0.01uF/50V X7R ±10% C1,C2			PCS	2.0000 1 0.00 %	2002/10/03 Y
0012-----	CI00075 SMDceramic capacitor0603 0.1uF/50V Y5V +80,-20% C11,C12,C13,C14,C19,C20,C21,C22,C23,C3,C5,C6			PCS	12.0000 1 0.00 %	2002/10/03 Y
0013-----	RE00008 SMDrow resistor1/16W 4.7K *4 ±5% 8P 0603 AR1,AR2,AR3,AR4			PCS	4.0000 1 0.00 %	2002/10/03 Y
0014-----	SE00011 SMD rectifier diode RLS4148 0.5A (LL-34) D1			PCS	1.0000 1 0.00 %	2002/10/03 Y
0015-----	SG00067 SMD integrated circuit 74HC04DT IC4			PCS	1.0000 1 0.00 %	2002/10/03 Y

Multi-Level BOM Structure Listing

Report No.: IEBO_P02
 Prepared by 980029[廖芙蓉]

Date 2003/04/12
 Page No.: 6 / 18

Item No. PF00755 Version
 DESCRIPTION: MAXIDRIVE3.4 UNIT: PCS
 MAXIDRIVE3.4_ALTO_85~264V_歐規_CHINA Date: 2002/11/17

Version	Item No	Loss %	Ver.	Unit	Cardinal	Effective Date
Component Remark	Item Descri				Usage Rate	@:Phantom Layer Attrition Rate
0016-----	SG00068 SMD integrated circuit 74HC14DT IC1			PCS	1.0000 1 0.00 %	2002/10/03 Y
0017-----	SG00071 SMD integrated circuit 74HC165DT IC2, IC6			PCS	2.0000 1 0.00 %	2002/10/03 Y
0018-----	SG00008 SMD integratd circuit MC14094BDR2(S&T HCF4094BM1) IC10, IC11, IC3, IC5, IC7, IC8, IC9			PCS	7.0000 1 0.00 %	2002/10/03 Y
0002-----	HA01918 jumper wire 4mm P80, P90			PCS	2.0000 1 0.00 %	2002/10/03 Y
0003-----	RA00155 fixed resistor 1/2W 4.7 M type R4			PCS	1.0000 1 0.00 %	2002/10/03 Y
0004-----	HC00263 row-wire header 2P 2.5mm 90° CN4			PCS	1.0000 1 0.00 %	2003/03/04 Y
0005-----	HC00051 row-wire stock 20PIN A28b-20B.T.6 CN2			PCS	1.0000 1 0.00 %	2002/10/03 Y
0006-----	HI00107 switch RE111-20B3-15F-15P SW7			PCS	1.0000 1 0.00 %	2002/10/03 Y
0007-----	HC00458 label 2.54 180° 3P5/7.5mm			PCS	1.0000 1 0.00 %	2003/03/04 Y
0008-----	HI00041 buttom swith 6*6*5 SW1, SW10, SW11, SW12, SW13, SW14, SW2, SW3, SW4, SW5, SW6, SW8, SW9			PCS	13.0000 1 0.00 %	2002/10/03 Y
0009-----	SA00072 L.E.D 3 red LI2340/A DL1, DL10, DL18, DL20, DL3, DL41, DL42, DL43, DL44, DL45, DL46, DL47, DL48, DL49, DL50, DL6, DL25, DL30			PCS	18.0000 1 0.00 %	2002/11/20 Y
0010-----	SA00071 L.E.D 3 green LVG2340/A DL11, DL12, DL13, DL15, DL16, DL17, DL21, DL22, DL23, DL26, DL27, DL28, DL31, DL32, DL35, DL4, DL7, DL8, DL33, DL36, DL37, DL38, DL39, DL40			PCS	24.0000 1 0.00 %	2002/11/20 Y
0011-----	SA00073 L.E.D 3 yellow LUY2340/A DL14, DL19, DL2, DL24, DL5, DL9, DL29, DL34			PCS	8.0000 1 0.00 %	2002/11/20 Y

Multi-Level BOM Structure Listing

Report No.: IEBO_P02
 Prepared by 980029[廖芙蓉]

Date 2003/04/12
 Page No.: 7 / 18

Item No. PF00755 Version
 DESCRIPTION: MAXIDRIVE3.4 UNIT: PCS
 MAXIDRIVE3.4_ALTO_85~264V_歐規_CHINA Date: 2002/11/17

Version	Item No	Loss %	Ver.	Unit	Cardinal	Effective Date
Component Remark	Item Descri				Usage Rate	@:Phantom Layer Attrition Rate
0012-----	CB00021 electrotytic capacitor 10uF/16V 4*5 C17,C18,C4			PCS	3.0000 1 0.00 %	2002/10/03 Y
0013-----	CB00062 electrotytic capacitor 220uF/6.3V 6*7 C15			PCS	1.0000 1 0.00 %	2002/10/03 Y
0014-----	HE00009 LCD WH1602D-YGB-JPR6(WINSTAR)			PCS	1.0000 1 0.00 %	2002/10/03 Y
0015-----	HC00157 row-pin(double)#2200 2.54 180° 2*7P(gold-plated) 6/11.6mm			PCS	1.0000 1 0.00 %	2002/10/03 Y
0016-----	MG00153 screw M2*8			PCS	4.0000 1 0.00 %	2002/10/03 Y
0017-----	ME00009 Ni-plated nut 2*4*1.5			PCS	4.0000 1 0.00 %	2002/10/03 Y
0018-----	HA02076 header wiring 14P-14P 30mm PH=1.27mm			PCS	1.0000 1 0.00 %	2002/10/03 Y
0019-----	NI01779 LED spacer support LEDS-1 1mm			PCS	4.0000 1 0.00 %	2002/11/13 Y
0020-----	NI01876 LED spacer support 7.6*4.5*184			PCS	1.0000 1 0.00 %	2003/03/29 Y
0061-----	HK02941 PC board P-MAXICPU-2-DIP			PCS	1.0000 1 0.00 %	2002/11/17 Y
0001-----	HK02940 PC board P-MAXICPU-2-SMD			PCS	1.0000 1 0.00 %	2002/10/03 Y
0001-----	HB00371 PCB f313072(DX26)			PCS	1.0000 1 0.00 %	2002/10/03 Y
0002-----	CI00049 SMDceramic capacitor0603 15PF/50V NPO ±5% C164,C165			PCS	2.0000 1 0.00 %	2002/12/16 Y
0003-----	CI00061 SMDceramic capacitor0603 220PF/50V NPO ±5% C122,C133,C147,C149,C150,C2,C21,C84,C85,C9			PCS	10.0000 1 0.00 %	2002/10/03 Y
0004-----	CI00063 SMDceramic capacitor0603 470PF/50V NPO ±5 % C119,C130,C144,C17,C29,C5			PCS	6.0000 1 0.00 %	2002/10/03 Y
0005-----	CI00065 SMDceramic capacitor0603 0.001uF/50V X7R ±10% C112,C123,C134,C18,C30,C6			PCS	6.0000 1 0.00 %	2002/10/03 Y
0006-----	CI00066 SMDceramic capacitor0603 0.0018uF/50V X7R ±10% C38,C39,C50,C51			PCS	4.0000 1 0.00 %	2002/10/03 Y

Multi-Level BOM Structure Listing

Report No.: IEBO_P02
 Prepared by 980029[廖芙蓉]

Date 2003/04/12
 Page No.: 8 / 18

Item No. PF00755 Version
 DESCRIPTION: MAXIDRIVE3.4 UNIT: PCS
 MAXIDRIVE3.4_ALTO_85~264V_歐規_CHINA Date: 2002/11/17

Version	Item No	Loss %	Ver.	Unit	Cardinal	Effective Date
Component Remark	Item Descri				Usage Rate @:Phantom Layer	Attrition Rate
0007-----	CI00067 SMDceramic capacitor0603 0.0022uF/50V X7R ±10% C40,C45,C48,C49			PCS	4.0000 1 0.00 %	2002/10/03 Y
0008-----	CI00071 SMDceramic capacitor0603 0.01uF/50V X7R ±10% C167,C175			PCS	2.0000 1 0.00 %	2002/10/03 Y
0009-----	CI00075 SMDceramic capacitor0603 0.1uF/50V Y5V +80,-20% C1,C100,C105,C106,C108,C11,C110,C111,C116,C117,C120, C121,C127,C128,C131,C132,C139,C14,C140,C141,C184,C20, C23,C26,C27,C34,C36,C37,C4,C42,C52,C53,C54,C57,C59, C60,C61,C63,C64,C65,C66,C68,C69,C70,C71,C73,C78,C79, C8,C81,C82,C83,C86,C87,C88,C96,C97,C98,C99,C142,C145, C146,C148,C151,C152,C153,C16,C160,C163,C166,C168,C169, C171,C172,C176,C178,C179,C180,C181			PCS	79.0000 1 0.00 %	2002/10/03 Y
0010-----	CI00046 SMDceramic capacitor1206 1uF/16V Y5V-1206(3216) C182,C46,C47,C75,C76			PCS	5.0000 1 0.00 %	2002/10/03 Y
0011-----	CL00006 SMD tantalum capacitor 10uF/16V case B2 C10,C101,C102,C103,C104,C107,C161,C162,C22,C35,C41, C55,C56,C58,C62,C67,C72,C74,C77,C80,C89,C90,C91,C92, C93,C94			PCS	26.0000 1 0.00 %	2002/10/03 Y
0012-----	RD00068 SMDfixed resistor 1/10W 100 ±5% 0603 R42,R43,R65,R68,R69,R70,R72,R87,R88,R90,R93,R95			PCS	12.0000 1 0.00 %	2002/10/03 Y
0013-----	RD00073 SMDfixed resistor 1/10W 220 ±5% 0603 R51,R53,R73,R74,R75,R85,R91,R92			PCS	8.0000 1 0.00 %	2002/10/03 Y
0014-----	RD00078 SMDfixed resistor 1/10W 470 ±5% 0603 R18,R20			PCS	2.0000 1 0.00 %	2002/10/03 Y
0015-----	RD00079 SMDfixed resistor 1/10W 560 ±5% 0603 R11,R22,R97			PCS	3.0000 1 0.00 %	2002/10/03 Y
0016-----	RD00082 SMDfixed resistor 1/10W 820 ±5% 0603 R50,R54			PCS	2.0000 1 0.00 %	2002/10/03 Y
0017-----	RD00083 SMDfixed resistor 1/10W 1.0K ±5% 0603 R41,R45			PCS	2.0000 1 0.00 %	2002/10/03 Y
0018-----	RD00084 SMDfixed resistor 1/10W 1.2K ±5% 0603 R16,R17,R30,R31,R35			PCS	5.0000 1 0.00 %	2002/10/03 Y

Multi-Level BOM Structure Listing

Report No.: IEBO_P02
 Prepared by 980029[廖芙蓉]

Date 2003/04/12
 Page No.: 9 / 18

Item No. PF00755 Version
 DESCRIPTION: MAXIDRIVE3.4 UNIT: PCS
 MAXIDRIVE3.4_ALTO_85~264V_歐規_CHINA Date: 2002/11/17

Version	Item No	Loss %	Ver.	Unit	Cardinal	Effective Date
Component Remark	Item Descri				Usage Rate	@:Phantom Layer Attrition Rate
0019-----	RD00085 SMDfixed resistor 1/10W 1.5K ±5% 0603 R52			PCS	1.0000 1 0.00 %	2002/10/03 Y
0020-----	RD00086 SMDfixed resistor 1/10W 1.8K ±5% 0603 R49			PCS	1.0000 1 0.00 %	2002/10/03 Y
0021-----	RD00088 SMDfixed resistor 1/10W 2.2K ±5% 0603 R12,R21,R46			PCS	3.0000 1 0.00 %	2002/10/03 Y
0022-----	RD00089 SMDfixed resistor 1/10W 2.7K ±5% 0603 R1,R5,R58,R62,R67,R9			PCS	6.0000 1 0.00 %	2002/10/03 Y
0023-----	RD00093 SMDfixed resistor 1/10W 4.7K ±5% 0603 R29,R37,R38,R39,R40,R44,R47,R71,R77,R79,R80,R81,R82, R83,R84,R94,R96			PCS	17.0000 1 0.00 %	2002/10/03 Y
0024-----	RD00097 SMDfixed resistor 1/10W 6.8K ±5% 0603 R14,R15,R3,R4,R55,R56,R59,R60,R63,R64,R7,R8			PCS	12.0000 1 0.00 %	2002/10/03 Y
0025-----	RD00101 SMDfixed resistor 1/10W 10K ±5% 0603 R105,R76,R98			PCS	3.0000 1 0.00 %	2002/10/03 Y
0026-----	RD00105 SMDfixed resistor 1/10W 22K ±5% 0603 R10,R2,R36,R57,R6,R61,R66			PCS	7.0000 1 0.00 %	2002/10/03 Y
0027-----	RD00108 SMDfixed resistor 1/10W 33K ±5% 0603 R106,R107			PCS	2.0000 1 0.00 %	2002/10/03 Y
0028-----	RD00111 SMDfixed resistor 1/10W 47K ±5% 0603 R13,R19,R86			PCS	3.0000 1 0.00 %	2002/10/03 Y
0029-----	RD00119 SMDfixed resistor 1/10W 220K ±5% 0603 R100,R101,R102,R103,R104,R99			PCS	6.0000 1 0.00 %	2002/10/03 Y
0030-----	RE00005 SMDrow resistor1/16W 33 *4 ±5% 8P 0603 AR23			PCS	1.0000 1 0.00 %	2002/10/03 Y
0031-----	RE00006 SMDrow resistor1/16W 100 *4 ±5% 8P 0603 AR1,AR12,AR13,AR14,AR16,AR19,AR20,AR21,AR22,AR25,AR32, AR33,AR35,AR39,AR4,AR5,AR7,AR9			PCS	18.0000 1 0.00 %	2002/10/03 Y

Multi-Level BOM Structure Listing

Report No.: IEBO_P02
 Prepared by 980029[廖芙蓉]

Date 2003/04/12
 Page No.: 10 / 18

Item No. PF00755 Version
 DESCRIPTION: MAXIDRIVE3.4 UNIT: PCS
 MAXIDRIVE3.4_ALTO_85~264V_歐規_CHINA Date: 2002/11/17

Version	Item No	Loss %	Ver.	Unit	Cardinal	Effective Date
Component Remark	Item Descri				Usage Rate @:	Phantom Layer Attrition Rate
0032-----	RE00008 SMDrow resistor1/16W 4.7K *4 ±5% 8P 0603 AR10,AR11,AR15,AR17,AR18,AR2,AR24,AR26,AR27,AR28,AR29, AR3,AR30,AR31,AR34,AR36,AR37,AR6,AR8			PCS	19.0000 1 0.00 %	2002/10/03 Y
0033-----	SE00011 SMD rectifier diode RLS4148 0.5A (LL-34) D1,D2,D3			PCS	3.0000 1 0.00 %	2002/10/03 Y
0034-----	SG00067 SMD integraded circuit 74HC04DT IC27, IC30			PCS	2.0000 1 0.00 %	2002/10/03 Y
0035-----	SG00073 SMD integrated circuit 74HC08DT IC5			PCS	1.0000 1 0.00 %	2002/10/03 Y
0036-----	SG00068 SMD integraded circuit 74HC14DT IC36			PCS	1.0000 1 0.00 %	2002/10/03 Y
0037-----	SG00074 SMD integrated circuit 74HC32DT IC28			PCS	1.0000 1 0.00 %	2002/10/03 Y
0038-----	SG00066 SMD integraded circuit 74HC74DT IC26			PCS	1.0000 1 0.00 %	2002/10/03 Y
0039-----	SG00079 SMD integrated circuit SN74HC374DW(TI) IC33, IC34			PCS	2.0000 1 0.00 %	2002/10/03 Y
0040-----	SG00126 integrated circuit PCM1702U IC11, IC12, IC13, IC17, IC18, IC19			PCS	6.0000 1 0.00 %	2002/10/03 Y
0041-----	SG00127 integrated circuit PCM1760U IC8			PCS	1.0000 1 0.00 %	2002/10/03 Y
0042-----	SG00012 SMD integrated circuit AD1892JR IC31			PCS	1.0000 1 0.00 %	2002/10/03 Y
0043-----	SG00047 SMD integrated circuit MAX485EESA IC32			PCS	1.0000 1 0.00 %	2002/10/03 Y
0044-----	SG00121 integrated circuit DRAM(FP)1M* HM5118160LJ-6 IC7			PCS	1.0000 1 0.00 %	2002/10/29 Y

Multi-Level BOM Structure Listing

Report No.: IEBO_P02
 Prepared by 980029[廖芙蓉]

Date 2003/04/12
 Page No.: 11 / 18

Item No. PF00755 Version
 DESCRIPTION: MAXIDRIVE3.4 UNIT: PCS
 MAXIDRIVE3.4_ALTO_85~264V_歐規_CHINA Date: 2002/11/17

Version	Item No Item Descri	Loss %	Ver.	Unit	Cardinal Usage Rate @: Attrition Rate	Effective Date Phantom Layer Rate
0045-----	SG00060 SMD integrated circuit dram 1m GM71C18163CJ-6 IC14			PCS	1.0000 1 0.00 %	2002/10/03 Y
0046-----	SG00137 integrated circuit AM29F800BB-90EC MD34 E594 IC10			PCS	1.0000 1 0.00 %	2002/10/05 Y
0047-----	SG00027 program 8M FLASH			PCS	1.0000 1 0.00 %	2002/10/03 Y
0048-----	SG00128 integrated circuit RED 208(LEM NO#105008) IC20			PCS	1.0000 1 0.00 %	2002/10/03 Y
0049-----	SG00021 SMD integrated circuit NJM2068M-TE1(LM833D) IC2, IC23, IC24, IC25, IC3, IC4			PCS	6.0000 1 0.00 %	2002/10/03 Y
0050-----	SG00069 SMD integrated circuit MAX709L-CSA IC35			PCS	1.0000 1 0.00 %	2002/10/03 Y
0051-----	C000006 SMD inductor BLM21A102SPT L1,L2			PCS	2.0000 1 0.00 %	2002/10/03 Y
0002-----	RA00453 precise resistor 1/4W 110 M type R89			PCS	1.0000 1 0.00 %	2002/10/03 Y
0003-----	RA00200 fixed resistor 1/4W 330 M type R34			PCS	1.0000 1 0.00 %	2002/10/03 Y
0004-----	RA00678 resistor 560 M type R32,R33			PCS	2.0000 1 0.00 %	2002/10/03 Y
0005-----	SB00059 transistor BC327-25 TR1			PCS	1.0000 1 0.00 %	2002/10/03 Y
0006-----	SB00062 transistor BC337-25 TR2			PCS	1.0000 1 0.00 %	2002/10/03 Y
0007-----	SB00009 field effect transistor J176(VISHAY) TR3, TR4, TR5, TR6, TR7, TR8			PCS	6.0000 1 0.00 %	2002/10/03 Y
0008-----	CB00031 electrotytic capacitor 22uF/50V 5*11 C113,C124,C135,C15,C28,C3			PCS	6.0000 1 0.00 %	2002/10/03 Y

Multi-Level BOM Structure Listing

Report No.: IEBO_P02
 Prepared by 980029[廖芙蓉]

Date 2003/04/12
 Page No.: 12 / 18

Item No. PF00755 Version
 DESCRIPTION: MAXIDRIVE3.4 UNIT: PCS
 MAXIDRIVE3.4_ALTO_85~264V_歐規_CHINA Date: 2002/11/17

Version	Item No	Loss %	Ver.	Unit	Cardinal	Effective Date
Component Remark	Item Descri				Usage Rate	@:Phantom Layer
					Attrition Rate	
0009-----	CB00040 electrotytic capacitor 47uF/25V C109,C115,C126,C13,C25,C44			PCS	6.0000 1 0.00 %	2002/10/03 Y
0010-----	CB00048 electrotytic capacitor 100uF/25V 5mm C114,C118,C12,C125,C129,C136,C143,C19,C24,C31,C43,C7			PCS	12.0000 1 0.00 %	2002/10/03 Y
0011-----	CB00056 electrolytic capacitor 220uF/25V C174			PCS	1.0000 1 0.00 %	2002/10/03 Y
0012-----	SC00102 quartz crystalloid 24.576MHZ HC-49/U1.2S±20PPM XT1			PCS	1.0000 1 0.00 %	2002/10/03 Y
0013-----	HJ00007 鎳鎘電池 4.8V 280mAh(VI-4N280BC(V2))			PCS	1.0000 1 0.00 %	2002/10/03 Y
0014-----	HC00080 row-wire header 6P 2.5mm 180° CN5			PCS	1.0000 1 0.00 %	2002/10/03 Y
0015-----	HC00046 row-wire stock 4PIN A28b-4B.T.6 CN3			PCS	1.0000 1 0.00 %	2002/10/03 Y
0016-----	HC00047 row-wire stock 6PIN A28b-6B.T.6 CN7			PCS	1.0000 1 0.00 %	2002/10/03 Y
0017-----	HC00049 row-wire stock 10PIN A28b-10B.T.6 CN2			PCS	1.0000 1 0.00 %	2002/10/03 Y
0018-----	HC00050 row-wire stock 14PIN A28b-14B.T.6 CN4			PCS	1.0000 1 0.00 %	2002/10/03 Y
0019-----	HC00051 row-wire stock 20PIN A28b-20B.T.6 CN9			PCS	1.0000 1 0.00 %	2002/10/03 Y
0020-----	HC00170 row-wire header 2P 3.96mm 180° CN6			PCS	1.0000 1 0.00 %	2002/10/03 Y
0021-----	TB00018 transformer LT-0806M(D/A Data Transmission TF2			PCS	1.0000 1 0.00 %	2002/10/03 Y
0022-----	HC00156 row pin (double) 2.54 180° 2*2P(gold-plated) 6/11.6mm			PCS	1.0000 1 0.00 %	2002/10/03 Y

Multi-Level BOM Structure Listing

Report No.: IEBO_P02
 Prepared by 980029[廖芙蓉]

Date 2003/04/12
 Page No.: 13 / 18

Item No. PF00755 Version
 DESCRIPTION: MAXIDRIVE3.4 UNIT: PCS
 MAXIDRIVE3.4_ALTO_85~264V_歐規_CHINA Date: 2002/11/17

Version	Item No	Loss %	Ver.	Unit	Cardinal	Effective Date
Component Remark	Item Descri				Usage Rate	@:Phantom Layer Attrition Rate
	J1					
0023-----	NI00220 cable tie			PCS	1.0000 1	2002/10/03 Y
0062-----	ALT-180L HK02204 PC board			PCS	0.00 1.0000 1	% 2002/11/17 Y
0001-----	P-F313085-DIP HC00049 row-wire stock			PCS	0.00 1.0000 1	% 2002/09/11 N
	10PIN A28b-10B.T.6 CN1				0.00	%
0002-----	HK02205 PC board			PCS	1.0000 1	2002/09/11 N
0001-----	P-F313085-SMD HB00373 PCB			PCS	0.00 1.0000 1	% 2002/09/11 N
0002-----	F313085(1*8) CI00075 SMDceramic capacitor0603			PCS	0.00 3.0000 1	% 2002/09/11 N
	0.1uF/50V Y5V +80,-20% C4,C1,C5				0.00	%
0003-----	CL00006 SMD tantalum capacitor			PCS	2.0000 1	2002/09/11 N
	10uF/16V case B2 C2,C3				0.00	%
0004-----	RD00066 SMDfixed resistor 1/10W			PCS	4.0000 1	2002/09/11 N
	68 ±5% 0603 R2,R4,R5,R6				0.00	%
0005-----	RD00101 SMDfixed resistor 1/10W			PCS	1.0000 1	2002/09/11 N
	10K ±5% 0603 R1				0.00	%
0006-----	RD00112 SMDfixed resistor 1/10W			PCS	1.0000 1	2002/09/11 N
	56K ±5% 0603 R3				0.00	%
0007-----	SG00072 SMD integrated circuit			PCS	1.0000 1	2002/09/11 N
	74LVC125AD IC2				0.00	%
0008-----	SG00037 SMD integrated circuit			PCS	1.0000 1	2002/09/11 N
	LD1117DT33C IC1				0.00	%
0009-----	HC00462 mmc			PCS	1.0000 1	2002/10/30 N
0063-----	PLS007-3003-0(YAMAICHI) HK02944 K-PC板			PCS	0.00 1.0000 1	% 2002/11/17 Y
0001-----	P-MAXIPU-2 HB00324 PCB			PCS	0.00 1.0000 1	% 2002/10/03 Y
0002-----	F313067 CA00009 ceramic capacitor			PCS	0.00 12.0000 1	% 2002/10/03 Y
	22PF/50V NPO C25,C26,C27,C28,C29,C30,C33,C34,C54,C55,C57,C59				0.00	%

Multi-Level BOM Structure Listing

Report No.: IEBO_P02
 Prepared by 980029[廖芙蓉]

Date 2003/04/12
 Page No.: 14 / 18

Item No. PF00755 Version
 DESCRIPTION: MAXIDRIVE3.4 UNIT: PCS
 MAXIDRIVE3.4_ALTO_85~264V_歐規_CHINA Date: 2002/11/17

Version	Item No	Loss %	Ver.	Unit	Cardinal	Effective Date
Component Remark	Item Descri				Usage Rate	@:Phantom Layer Attrition Rate
0003-----	CH00017 heap-layer capacitor (stand) 0.1uF/50V Y5V PH5 C10,C11,C12,C13,C14,C15,C16,C17,C18,C19,C2,C20,C21, C22,C24,C31,C36,C38,C39,C40,C41,C53,C58,C6,C61,C62, C63,C64,C71			PCS	29.0000 1 0.00 %	2002/10/03 Y
0004-----	CB00025 electrolytic capacitor 10uF/50V 6.3*7 C9			PCS	1.0000 1 0.00 %	2002/10/03 Y
0005-----	CB00040 electrotytic capacitor 47uF/25V C3,C35,C4,C42,C43,C44,C45,C46,C47,C48,C49,C50,C51,C52, C56,C60,C65,C66,C67,C68,C69,C70			PCS	22.0000 1 0.00 %	2002/10/03 Y
0006-----	CB00072 electrotytic capacitor 1000uF/25V 10*20 C23,C32,C8			PCS	3.0000 1 0.00 %	2002/10/03 Y
0007-----	CB00080 electrotytic capacitor 2200uF/25V 16*25 C5			PCS	1.0000 1 0.00 %	2002/10/03 Y
0008-----	RA00515 precise resistor 1/4W 10.0K M type R24,R28			PCS	2.0000 1 0.00 %	2002/10/03 Y
0009-----	RA00524 precise resistor 1/4W 15.0k M type R22,R23,R26,R27,R32,R33,R35,R36			PCS	8.0000 1 0.00 %	2002/10/03 Y
0010-----	RA00549 precise resistor 1/4W 39.2K M type R25,R29			PCS	2.0000 1 0.00 %	2002/10/03 Y
0011-----	RA00159 fixed resistor 1/4W 10 Mr type R30,R31,J16			PCS	3.0000 1 0.00 %	2002/10/03 Y
0012-----	RA00165 fixed resistor 1/4W 22 M type J10			PCS	1.0000 1 0.00 %	2002/10/03 Y
0013-----	RA00184 fixed resistor 1/4W 100 M type R1,R2,R3,R4,R5,R6			PCS	6.0000 1 0.00 %	2002/10/03 Y
0014-----	RA00671 resistor 100 M type R7,R8			PCS	2.0000 1 0.00 %	2002/10/03 Y
0015-----	RA00676 resistor 330 M type			PCS	12.0000 1 0.00 %	2002/10/03 Y

Multi-Level BOM Structure Listing

Report No.: IEBO_P02
 Prepared by 980029[廖芙蓉]

Date 2003/04/12
 Page No.: 15 / 18

Item No. PF00755 Version
 DESCRIPTION: MAXIDRIVE3.4
 MAXIDRIVE3.4_ALTO_85~264V_歐規_CHINA

UNIT: PCS
 Date: 2002/11/17

Version	Item No	Loss %	Ver.	Unit	Cardinal	Effective Date
Component Remark	Item Descri				Usage Rate @:	Phantom Layer Attrition Rate
	R38,R40,R42,R44,R46,R48,R50,R52,R54,R56,R58,R60					
0016-----	RA00651 resistor 10K M type			PCS	14.0000 1 0.00 %	2002/10/03 Y
	R34,R37,R39,R41,R43,R45,R47,R49,R51,R53,R55,R57,R59,R61					
0017-----	RA00655 resistor 22K M type			PCS	6.0000 1 0.00 %	2002/10/03 Y
	R11,R13,R15,R17,R19,R21					
0018-----	SA00093 rectifier diode 1N4148 0.5A			PCS	8.0000 1 0.00 %	2002/10/03 Y
	D10,D11,D12,D5,D6,D7,D8,D9					
0019-----	SA00100 zener diode 1W 6.2V 1N4735			PCS	4.0000 1 0.00 %	2002/10/03 Y
	D13,D14,D15,D16					
0020-----	SA00101 zener diode 1W 6.8V 1N4736			PCS	2.0000 1 0.00 %	2002/10/03 Y
	D1,D2					
0021-----	SA00104 zener diode 1W 10V 1N4740			PCS	2.0000 1 0.00 %	2002/10/03 Y
	D3,D4					
0022-----	SD00074 integrated circuit 7805(TO-220)			PCS	1.0000 1 0.00 %	2002/10/03 Y
	IC2					
0023-----	SD00083 integrated circuit 7905(TO-220)			PCS	1.0000 1 0.00 %	2002/10/03 Y
	IC1					
0024-----	SD00019 integrated circuit MAX202ECPE			PCS	1.0000 1 0.00 %	2002/10/03 Y
	IC11					
0025-----	SD00119 integrated circuit JRC NJM2068DD(LM833N)			PCS	2.0000 1 0.00 %	2002/10/03 Y
	IC10, IC9					
0026-----	HE00024 IC GM HYBRID IC.GM CODE:102004			PCS	6.0000 1 0.00 %	2002/11/13 Y
	IC3, IC4, IC5, IC6, IC7, IC8					
0027-----	HC00324 wire terminal 6.5m/m (PC250)			PCS	1.0000 1 0.00 %	2002/10/03 Y
	S1					
0028-----	HC00080 row-wire header 6P 2.5mm 180°			PCS	1.0000 1 0.00 %	2002/10/03 Y
	CN5					

Multi-Level BOM Structure Listing

Report No.: IEBO_P02
 Prepared by 980029[廖芙蓉]

Date 2003/04/12
 Page No.: 16 / 18

Item No. PF00755 Version
 DESCRIPTION: MAXIDRIVE3.4
 MAXIDRIVE3.4_ALTO_85~264V_歐規_CHINA

UNIT: PCS
 Date: 2002/11/17

Version	Item No	Loss %	Ver.	Unit	Cardinal	Effective Date
Component Remark	Item Descri				Usage Rate	@:Phantom Layer Attrition Rate
0029-----	HC00400 jack D-SHB-9P CN8			PCS	1.0000 1 0.00 %	2002/10/03 Y
0030-----	HC00046 row-wire stock 4PIN A28b-4B.T.6 CN6			PCS	1.0000 1 0.00 %	2002/10/03 Y
0031-----	HC00047 row-wire stock 6PIN A28b-6B.T.6 CN4			PCS	1.0000 1 0.00 %	2002/10/03 Y
0032-----	HC00050 row-wire stock 14PIN A28b-14B.T.6 CN7			PCS	1.0000 1 0.00 %	2002/10/03 Y
0033-----	HC00437 row-wire stock 6P 3.96mm 180° CN1			PCS	1.0000 1 0.00 %	2003/04/04 Y
0034-----	HC00170 row-wire header 2P 3.96mm 180° CN3			PCS	1.0000 1 0.00 %	2002/10/03 Y
0035-----	HC00265 row-wire header JST2.5(S) 2P 2.5mm 180° CN2			PCS	1.0000 1 0.00 %	2002/10/03 Y
0036-----	HC00111 MIC jack for balance 99M-108SP1 S10,S11,S4,S6,S7,S8,S9			PCS	7.0000 1 0.00 %	2002/10/03 Y
0037-----	HC00112 MIC jack for balance 99M-107SP-1-2 90° PUSH S3,S5			PCS	2.0000 1 0.00 %	2002/10/03 Y
0038-----	HC00113 combined balanced jack 97M-1007P-H 90° S12,S13			PCS	2.0000 1 0.00 %	2002/10/03 Y
0039-----	HA01925 jumper wire 10mm J11,J17,J18,J19,J20,J21,J22,J23,J24,J25,J7,J8,J9,R9			PCS	14.0000 1 0.00 %	2002/10/03 Y
0001-----	HA02249 wire 0.6			M KG	0.0200 1 0.00 %	2002/09/19 N
0040-----	HA01928 jumper wire 12mm J26			PCS	1.0000 1 0.00 %	2002/10/03 Y
0001-----	HA02249 wire 0.6			M KG	0.0220 1 0.00 %	2002/09/19 N

Multi-Level BOM Structure Listing

Report No.: IEB0_P02
 Prepared by 980029[廖芙蓉]

Date 2003/04/12
 Page No.: 17 / 18

Item No. PF00755 Version
 DESCRIPTION: MAXIDRIVE3.4 UNIT: PCS
 MAXIDRIVE3.4_ALTO_85~264V_歐規_CHINA Date: 2002/11/17

Version	Item No	Loss %	Ver.	Unit	Cardinal Usage Rate	Effective Date @:Phantom Layer Attrition Rate
0041-----	HA01937 jumper wire 18mm J1, J12, J13, J14, J15, J2, J3, J4, J5, J6			PCS	10.0000 1 0.00 %	2002/10/03 Y
0001-----	HA02249 wire 0.6			M KG	0.0280 1 0.00 %	2002/09/20 Y
0042-----	MI00257 heat-sink 25*34.6*12*1.5 DX26			PCS	1.0000 1	2002/10/03 Y
0043-----	CG00018 filter-EMI FILTER LF-22UH(WAH TAYI) L1, L10, L11, L12, L13, L14, L15, L16, L17, L18, L19, L2, L20, L21, L3, L4, L5, L6, L7, L8, L9			PCS	21.0000 1 0.00 %	2002/10/03 Y
0044-----	NC00005 silicone insulator T0-220 square type IC1, IC2			PCS	2.0000 1 0.00 %	2002/10/03 Y
0045-----	NI00863 insulate bean T0220B IC1			PCS	1.0000 1 0.00 %	2002/10/03 Y
0046-----	MG00027 screw M3*12			PCS	1.0000 1 0.00 %	2002/10/03 Y
0047-----	MF00037 washer 3* 5*1t			PCS	1.0000 1 0.00 %	2002/10/03 Y
0048-----	ME00015 colour nut 3m/m			PCS	1.0000 1 0.00 %	2002/10/03 Y
0064-----	HD00006 fuse TSD 315mA 250V 5.2*20mm CSA/S/UL/VDE			PCS	1.0000 1 0.00 %	2002/11/17
0065-----	MG00025 screw M3*6			PCS	18.0000 1 0.00 %	2002/11/17
0066-----	MG00041 screw M3*6			PCS	18.0000 1 0.00 %	2003/04/11
0067-----	HA01733 P.V.C single wave wired UL1617 130 blue			PCS	2.0000 1 0.00 %	2002/11/17
0068-----	NI02249 caushion TW-1 (T0-220)			PCS	1.0000 1 0.00 %	2002/11/17
0069-----	NE02717 label MADE IN CHINA			PCS	2.0000 1 0.00 %	2002/11/17 Y
0001-----	NI00067 R-25#透明龍 cellophane paper			M	1.0000 700 0.00 %	2003/01/30 N
0002-----	NI00027 membrane 0.105*1M			M	1.0000 700 0.00 %	2003/01/30 N
0070-----	NE10964 label MAXIDRIVE3.4			PCS	1.0000 1 0.00 %	2002/12/24
0001-----	NH00012 bond paper 0.04*1M			M	1.0000 80 0.00 %	2002/12/21 N

Multi-Level BOM Structure Listing

Report No.: IEBO_P02
 Prepared by 980029[廖芙蓉]

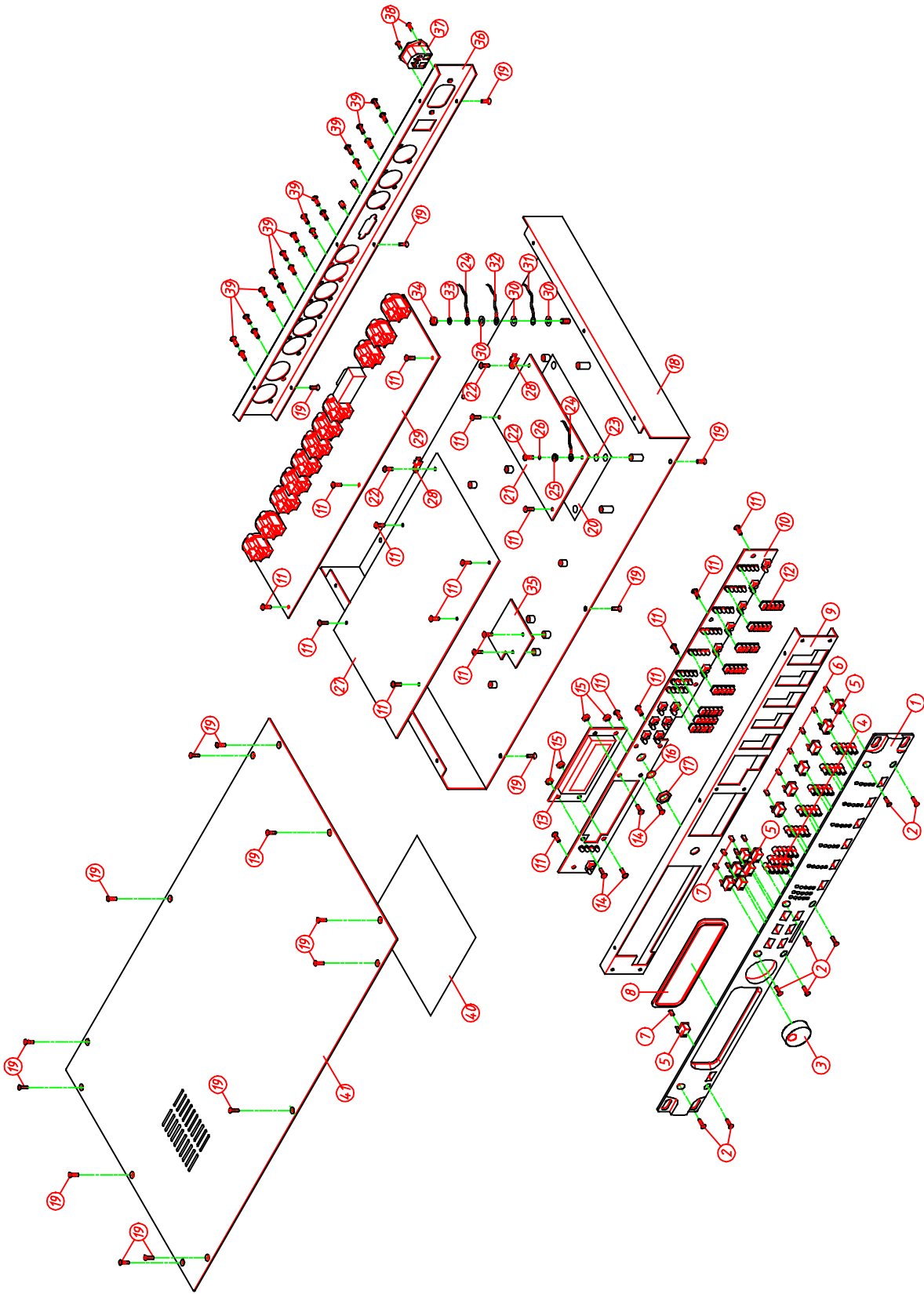
Date 2003/04/12
 Page No.: 18 / 18

Item No. PF00755 Version
 DESCRIPTION: MAXIDRIVE3.4
 MAXIDRIVE3.4_ALTO_85~264V_歐規_CHINA

UNIT: PCS
 Date: 2002/11/17

Version	Item No	Loss %	Ver.	Unit	Cardinal	Effective Date
Component Remark	Item Descri				Usage Rate @:	Phantom Layer
					Attrition	Rate
0002-----	NI00014 membrane 0.035*1M			M	1.0000 80	2002/12/21 N
0071-----	NF01131 instruction			PCS	1.0000 1	2003/01/24
0001-----	MAXIDRIVE3.4 ALTO NH00149 paper 889*640mm			張 令	0.00 2.7500 1	% 2002/12/05 Y
0072-----	MG00281 screw M3*6			PCS	6.0000 1	2003/04/05
					0.00	%

8.Exploded Views



機種:MAXIDRIVE3.4
圖號:MAXIDRIVE3.4-00
日期:2002/10/22