

Service Manual

Model: S-6

6 Channel Mixing Console



www.altoproaudio.com

Version: 1.2

ISSUE:2003.9.21

CONTENTS

- 1. Specification**
- 2. Block Diagram**
- 3. Schematic Diagram**
- 4. Printed Circuit Board**
- ~~**5. Wiring Diagram**~~
- ~~**6. Test Procedure**~~
- 7. Electrical Parts List**
- 8. Exploded Views & Mechanical Parts List**
- 9. Notes**

2. 功能特性介紹說明(FEATURE)

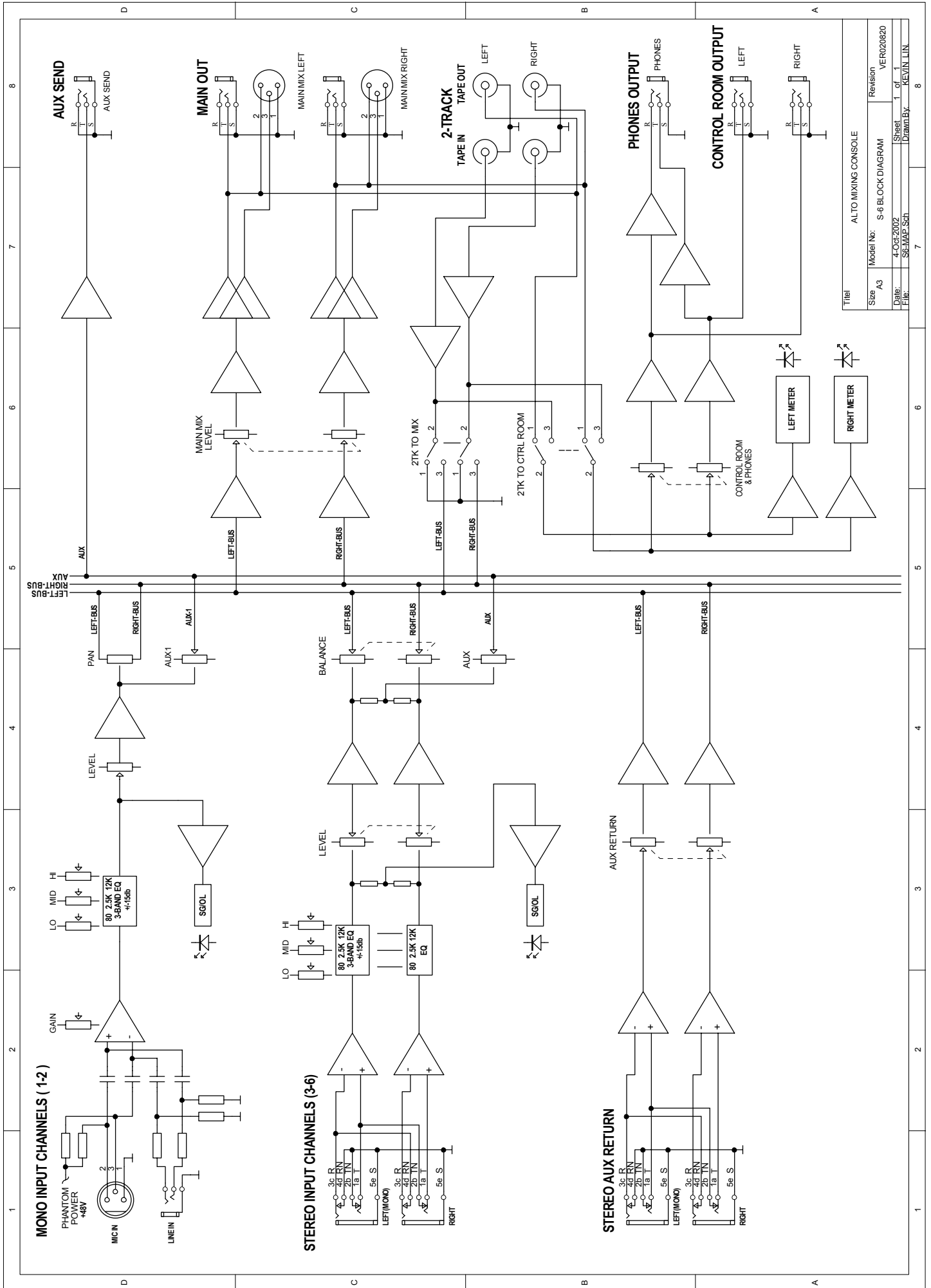
The **S-6** is 2 mono MIC/LINE channels with MIC PREAMPS plus 2 stereo channels perfect for keyboards, MIDI equipment or other stereo sound sources and a 2-track input/output for recording and playback in a mixer small enough to carry in your board luggage: meet the ALTO S-6. In spite of its size, you can find great 3-band equalizers in each channel plus switchable low-cut filters in the mono channels, one AUX sends, one stereo returns, phantom power and accurate peak LED and level meters. Plus of course our ultra low noise circuitry and exceptional build quality.

- 2 MIC Input Channels with gold plated XLRs and balanced Line Inputs.
- 2 Stereo Input Channels with balanced TRS Jacks.
- Ultra-low noise discrete Mic Preamps with +48 V Phantom Power.
- Extremely high headroom – offering more dynamic range.
- Balanced Inputs for highest signal integrity.
- Warm, natural 3-band EQ on each channels.
- Peak LEDs and switchable low-Cut Filter on each Channels.
- 1 AUX Sends per channel for external effects and monitoring.
- Balanced TRS and XLR outputs, Control Room and Headphone Outputs.
- 2-Track Inputs assignable to Main Mix, Control Room / Headphone Outputs.
- Highly accurate 8 segment Bar graph Meters.
- Inserts on MIC channels.
- performance and excellent noise figures
- Rugged construction ensures long life even under the most demanding conditions
- Manufactured under ISO9001 certified management system

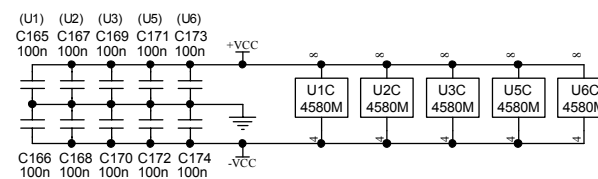
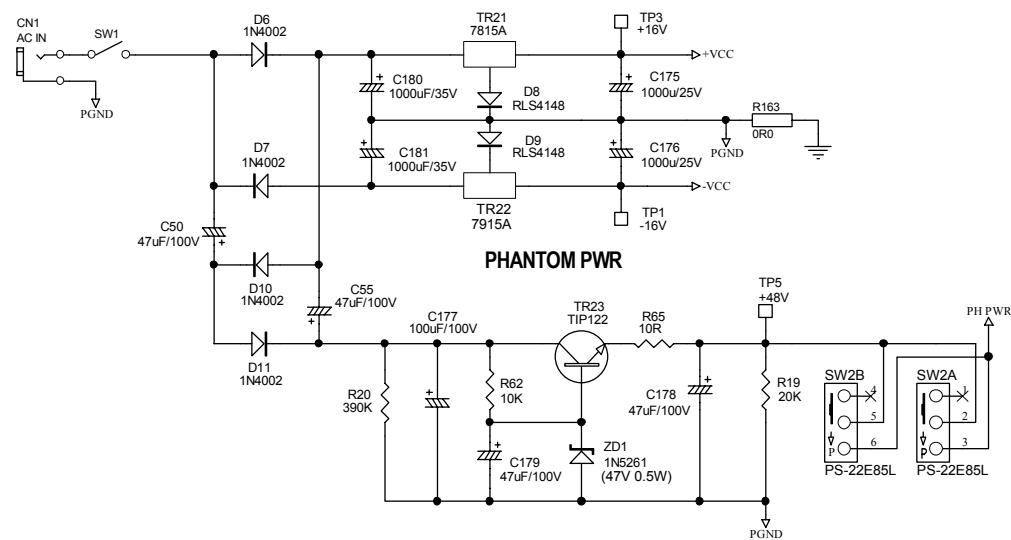
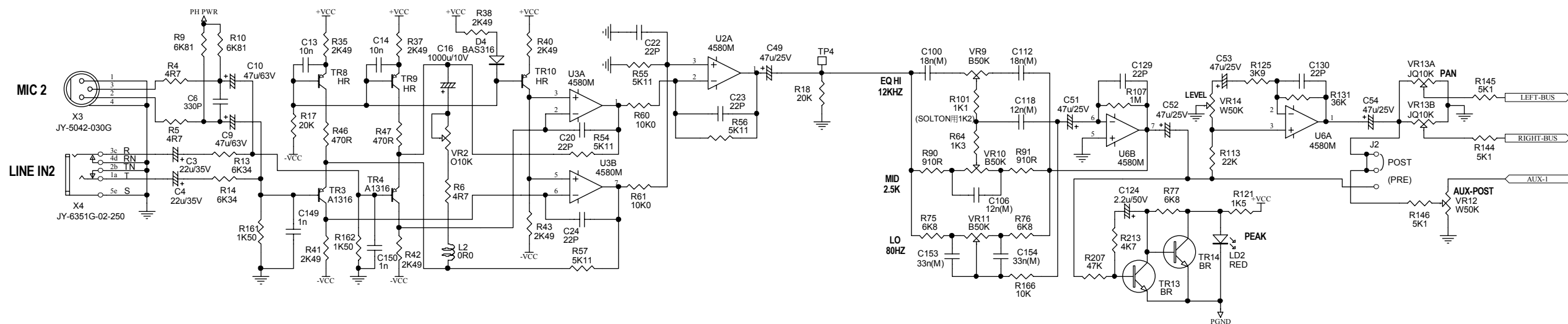
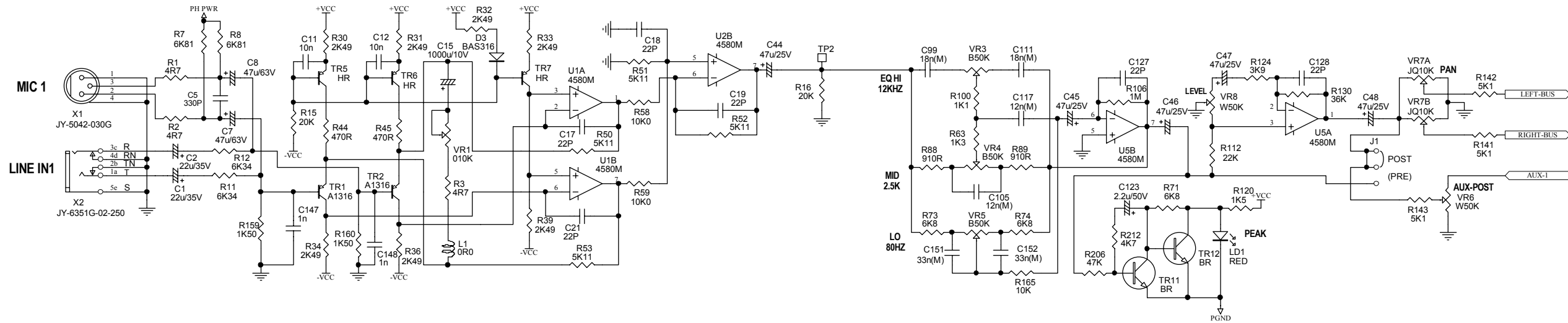
Features:

Function	description	notes
Channel inputs	6	
Mono channels	2	
Stereo channels	2	
MIC PREAMPS	2	
EQ (mono channels)	3-band	
EQ (stereo channels)	3-band	
Aux sends	1	
Stereo aux returns	1	
2-track input/output	1	
Phantom power	+48 V	

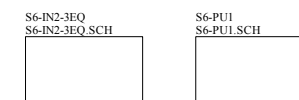
3. S-6方塊圖



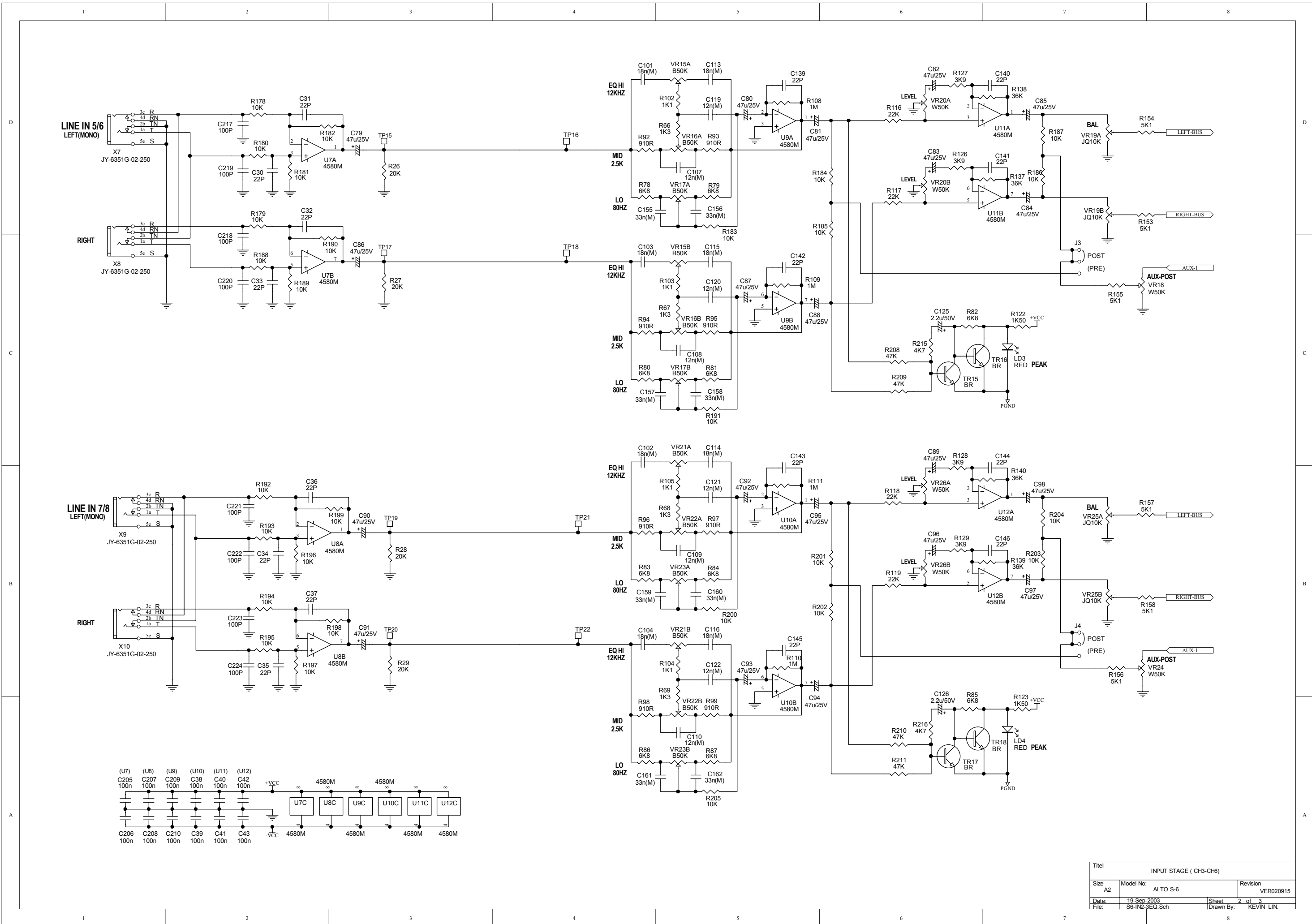
Title			
Model No.	S-6 BLOCK DIAGRAM	Revision	VER020820
Size	A3	Date:	4-Oct-2002
File:	SE-IMP.Sch	Sheet	1 of 1
		Drawn By:	KEVIN LIN



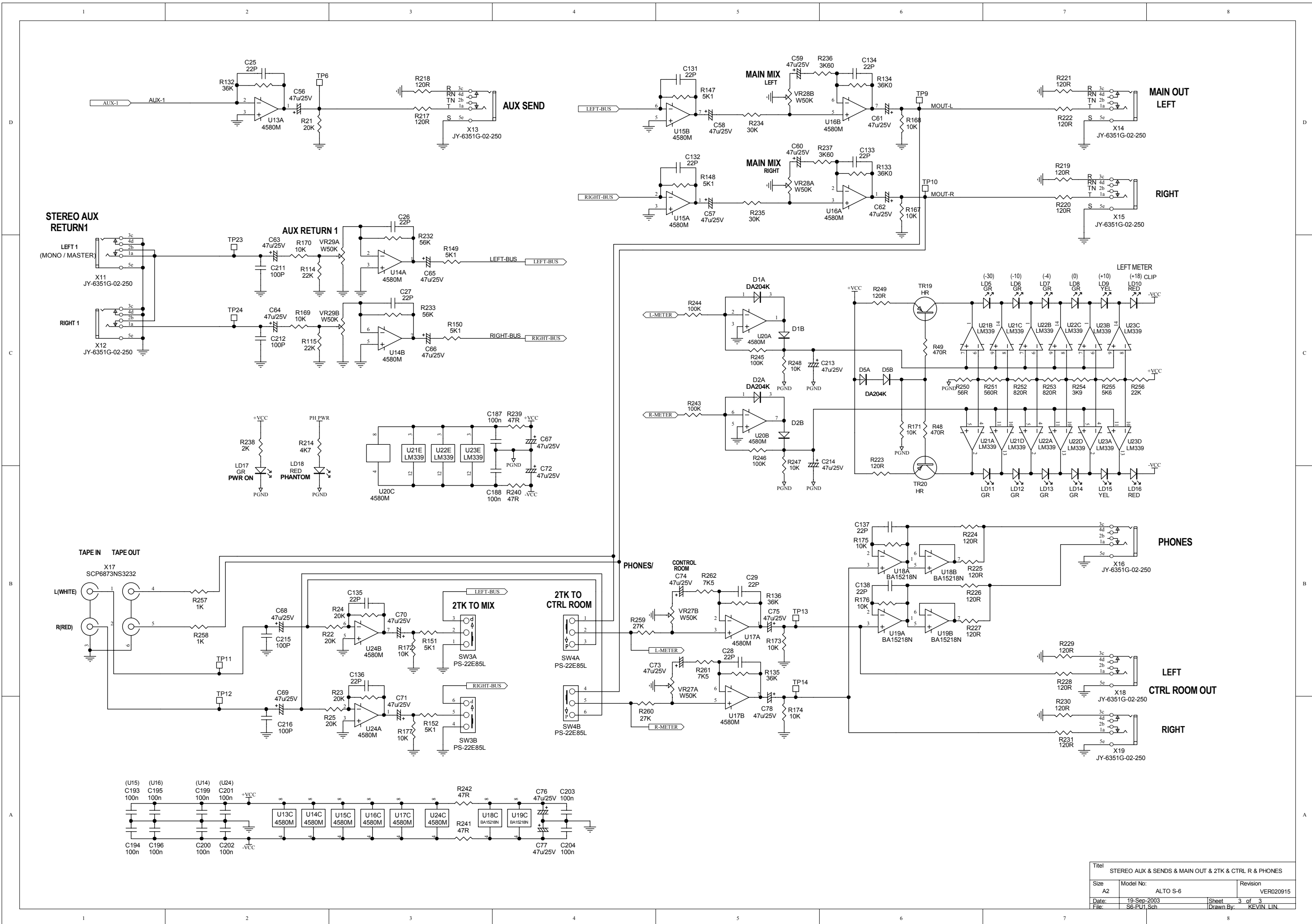
NOTE: 1. [HR]:2SA1036K
2. [BR]:2SC2412K



Title: INPUT STAGE (CH1-CH4)		
Size: A2	Model No: ALTO S-6	Revision: VER020915
Date: 19-Sep-2003	Sheet: 1 of 3	
File: S6-IN1-3EQ.Sch	Drawn By: KEVIN LIN	



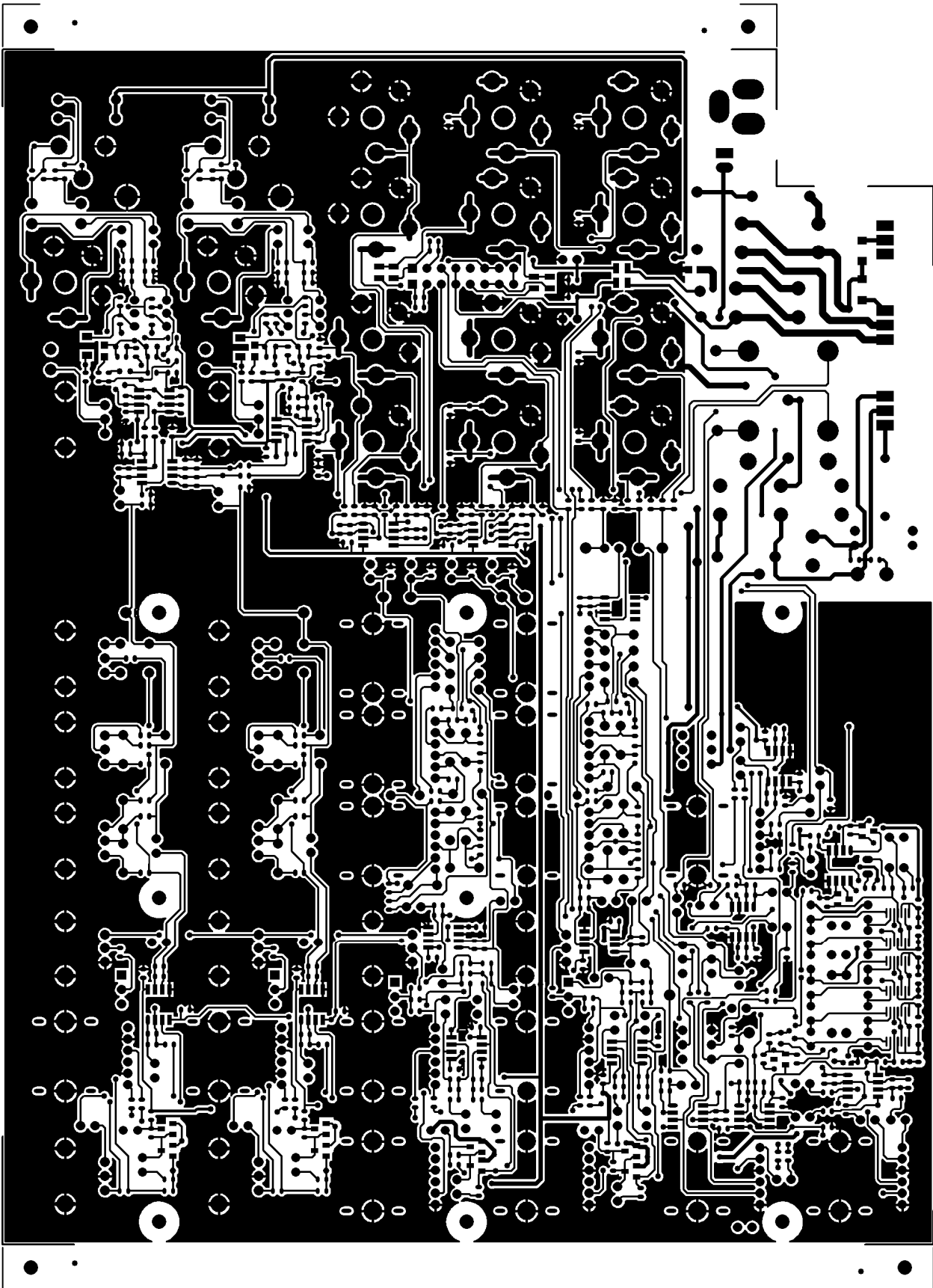
Title			INPUT STAGE (CH3-CH6)		
Size	A2	Model No:	ALTO S-6	Revision	VER020915
Date:	19-Sep-2003	Sheet	2 of 3		
File:	S6-IN2-3EQ.Sch	Drawn By:	KEVIN LIN		



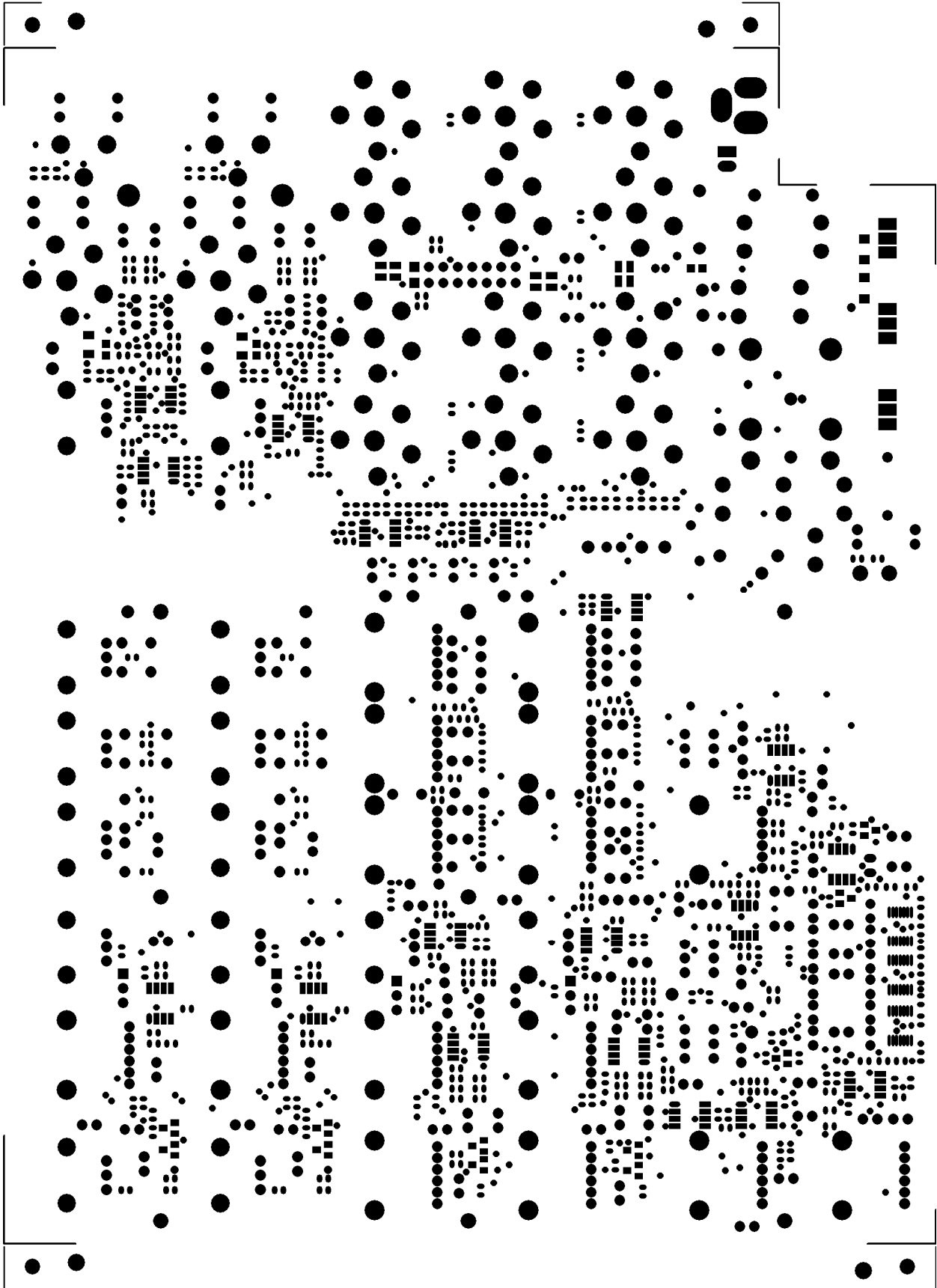
Title			
STEREO AUX & SENDS & MAIN OUT & 2TK & CTRL R & PHONES			
Size	Model No:	Revision	
A2	ALTO S-6	VER020915	
Date:	19-Sep-2003	Sheet	3 of 3
File:	S6-FU1.Sch	Drawn By:	KEVIN LIN

6. PCB LAYOUT

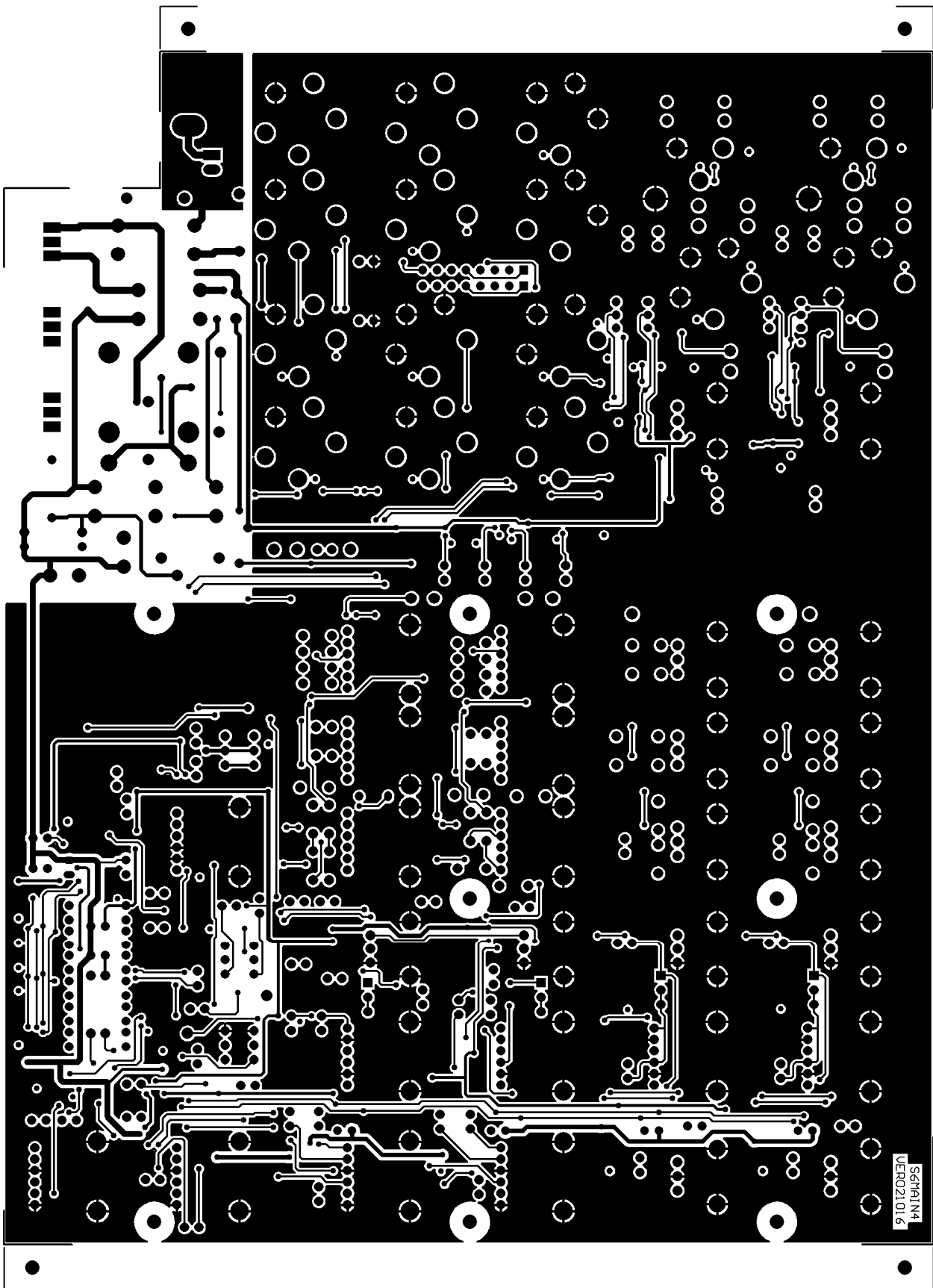
PCB#S6MAIN4 TOP LAYER



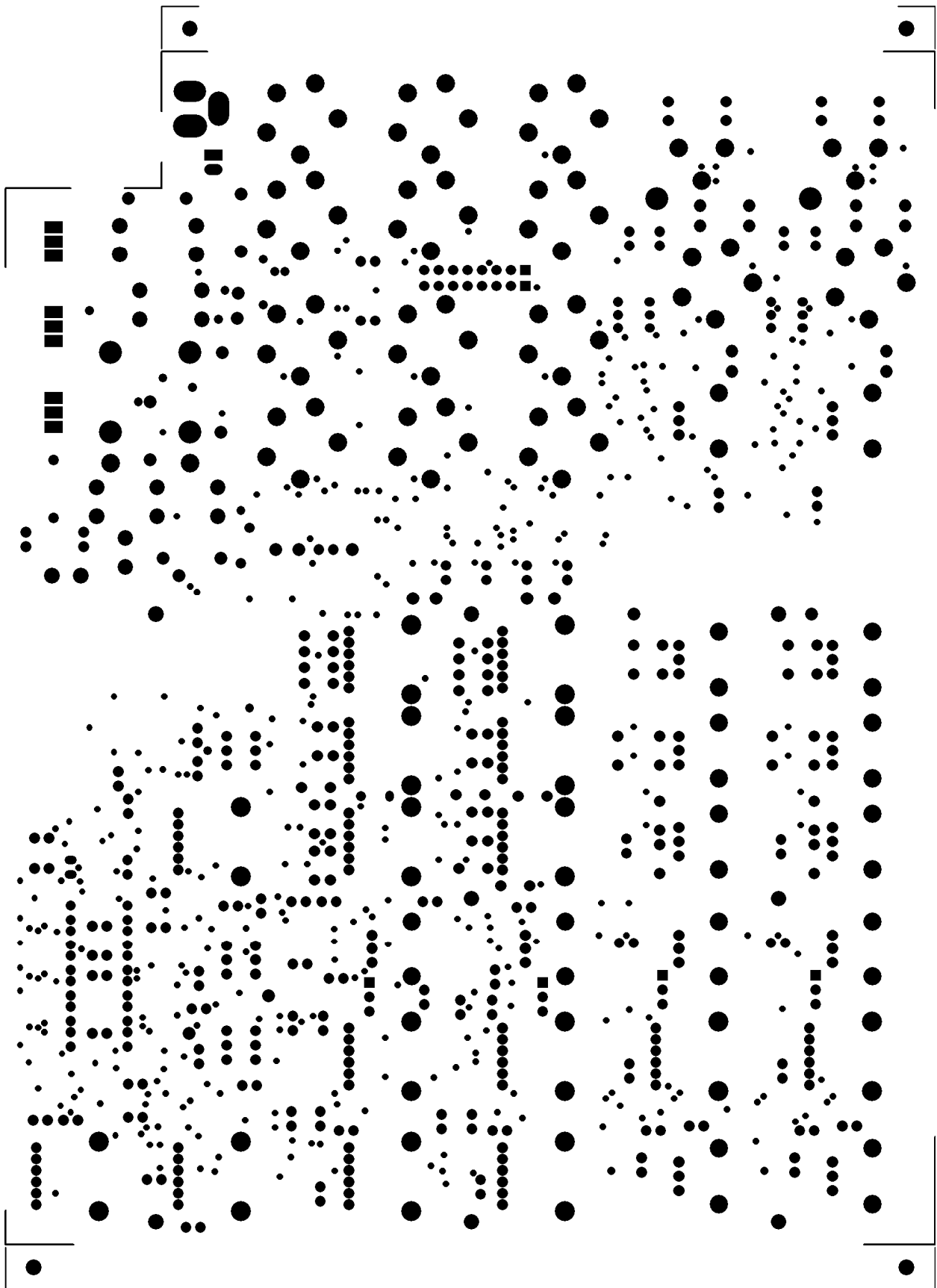
PCB#S6MAIN4 TOP SOLDER MASK

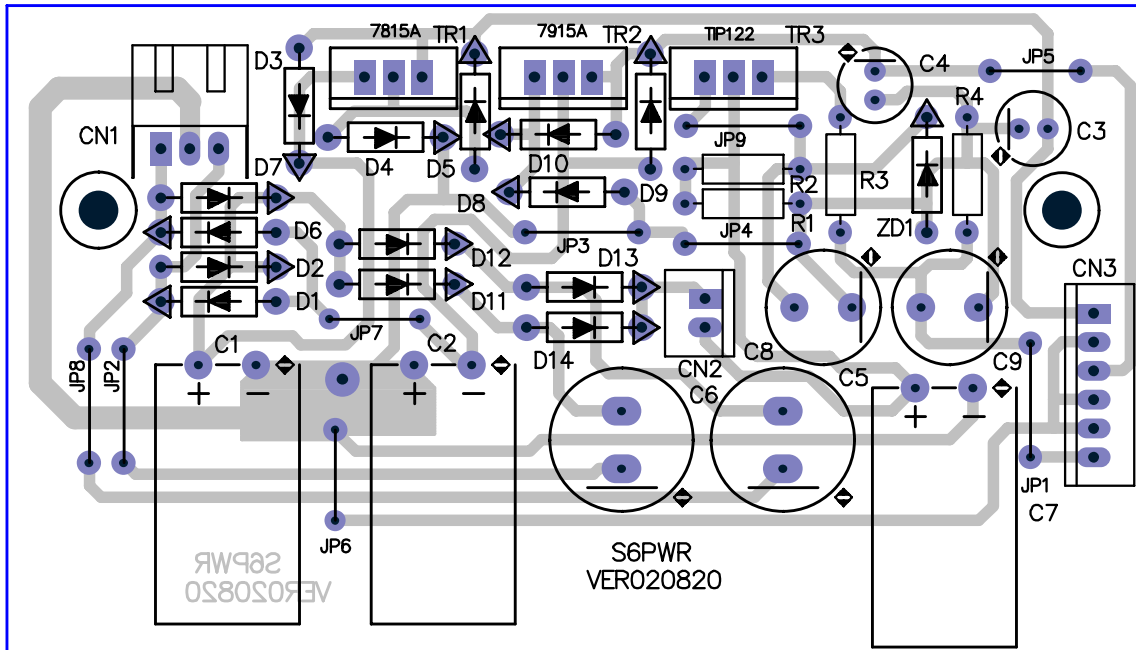


PCB#S6MAIN4 BOTTOM LAYER



PCB#S6MAIN4 BOTTOM SOLDERMASK





Multi-Level BOM Structure Listing

Report No.: IEB0_P02
 Prepared by JG010012[張淑菁]

Date 2003/08/08
 Page No.: 1 / 10

Item No. PF01186 Version
 DESCRIPTION: S-6
 S-6 ALTO_230V 歐規_CHINA

UNIT: PCS
 Date: 2002/11/14

Version	Item No	Loss %	Ver.	Unit	Cardinal	Effective Date
Component Remark	Item Descri				Usage Rate	@:Phantom Layer
					Attrition	Rate
0001-----	MA03611 panel			PCS	1.0000	2002/11/14
	S-6				1	Y
					0.00	%
0001-----	MA03609 panel			PCS	1.0000	2003/01/08
	S-6				1	N
					0.00	%
0001-----	MA03608 panel			PCS	1.0000	2002/08/13
	S-6				1	N
					0.00	%
0001-----	MJ00061 Zn-plated board			PCS	1.0000	2002/08/13
	1*2135*1220 20.45kg			KG	36	N
					0.00	%
0002-----	MB02459 rear board			PCS	1.0000	2002/11/14
	S-6				1	Y
					0.00	%
0001-----	MB02457 rear board			PCS	1.0000	2003/01/12
	S-6				1	N
					0.00	%
0001-----	MJ00058 iron board			PCS	1.0000	2002/08/13
	1*2135*1220 20.45kg			KG	40	N
					0.00	%
0003-----	HI00026 power switch			PCS	1.0000	2002/12/28
	RA12KKATOF 2P				1	Y
					0.00	%
0004-----	MG00304 copper pole			PCS	8.0000	2002/11/14
	M3*14*0.5PH				1	Y
					0.00	%
0005-----	NI01863 key			PCS	3.0000	2002/11/14
	5.5*W10*7.5				1	Y
					0.00	%
0006-----	NI02083 knob			PCS	13.0000	2002/11/14
	10.5*18				1	Y
					0.00	%
0007-----	NI02081 knob			PCS	4.0000	2002/11/14
	10.5*18				1	Y
					0.00	%
0008-----	NI02082 knob			PCS	4.0000	2002/11/14
	10.5*18				1	Y
					0.00	%
0009-----	NI02084 knob			PCS	2.0000	2002/11/14
	10.5*18				1	Y
					0.00	%
0010-----	NI00826 knob			PCS	6.0000	2002/11/14
	12*18 雙色(外冷灰8C內282C)				1	Y
					0.00	%
0011-----	MG00041 screw			PCS	30.0000	2002/11/14
	M3*6				1	Y
					0.00	%
0012-----	MG00061 screw			PCS	5.0000	2002/11/14
	M3*10				1	Y
					0.00	%
0013-----	MF00030 washer			PCS	5.0000	2002/11/14
	3* 8*0.8t				1	Y
					0.00	%
0014-----	ME00060 socket nut			PCS	14.0000	2002/11/14
	JY-6351G-02-250				1	Y
					0.00	%
0015-----	MF00061 washer			PCS	14.0000	2002/11/14
	JY-6351G-02-250				1	Y
					0.00	%
0016-----	HA01388 row-wire connector wiring			PCS	1.0000	2002/11/14
	2P 100				1	Y
					0.00	%
0017-----	NI00252 sleeve			PCS	2.0000	2002/11/14
	4*20mm				1	Y
					0.00	%

Multi-Level BOM Structure Listing

Report No.: IEB0_P02
 Prepared by JG010012[張淑菁]

Date 2003/08/08
 Page No.: 2 / 10

Item No. PF01186 Version
 DESCRIPTION: S-6
 S-6 ALTO_230V_歐規_CHINA

UNIT: PCS
 Date: 2002/11/14

Version	Item No	Loss %	Ver.	Unit	Cardinal Usage Rate	Effective Date @:Phantom Layer Attrition Rate
0001	NI00248 sleeve 4*1000mm			M	20.0000 1000 0.00 %	2002/06/04 N
0018	NI00501 foot cushion 12.7*9*3t(SF-004)			PCS	4.0000 1 0.00 %	2002/11/14 Y
0019	NA00122 PE bag 0.04t*350*230mm			PCS KG	1.0000 1 0.00 %	2002/11/14 Y
0020	HJ00002 desiccant 10g			PCS	1.0000 1 0.00 %	2002/11/14 Y
0021	NF01090 instruction			PCS	1.0000 1 0.00 %	2002/12/03 Y
0001	S-6 ALTO NH00149 paper 889*640mm			張令	1.5000 1 0.00 %	2002/12/17 Y
0022	NB01997 barrier S6			PCS	1.0000 1 0.00 %	2002/11/14 Y
0023	NB01998 barrier S6			PCS	1.0000 1 0.00 %	2002/11/14 Y
0024	NB02046 box S-6 ALTO			PCS	1.0000 1 0.00 %	2002/12/03 Y
0025	NI01272 handle for wireless coloful box			PCS	1.0000 1 0.00 %	2002/11/14 Y
0026	NB02053 box TA-8060,8030 SHOW			PCS	1.0000 4 0.00 %	2002/11/29 Y
0027	NF00061 assurance card LTO			PCS	1.0000 1 0.00 %	2002/11/14 Y
0028	NE05004 label ALTO			PCS	4.0000 1 0.00 %	2002/11/14 Y
0029	NE02717 label MADE IN CHINA			PCS	2.0000 1 0.00 %	2002/11/14 Y
0001	NI00067 R-25#透明龍 cellophane paper			M	1.0000 700 0.00 %	2003/01/30 N
0002	NI00027 membrane 0.105*1M			M	1.0000 700 0.00 %	2003/01/30 N
0030	TG00053 adaptor 230V/50Hz_AC18V/600mA_EI-48_CE			PCS	1.0000 1 0.00 %	2002/11/14 Y
0031	HK02961 K-PC board P-S6MAIN4-DIP			PCS	1.0000 1 0.00 %	2002/11/14 Y
0001	HK00334 K-PC板 P-S6MAIN4-SMD			PCS	1.0000 1 0.00 %	2002/10/07 Y
0001	HB00777 pc board S6MAIN4_VER021104			PCS	1.0000 1 0.00 %	2002/10/07 Y
0002	RD00355 resistor 4.7 ±5% 0603 R1,R2,R3,R4,R5,R6			PCS	6.0000 1 0.00 %	2002/10/07 Y

Multi-Level BOM Structure Listing

Report No.: IEBO_P02
 Prepared by JG010012[張淑菁]

Date 2003/08/08
 Page No.: 3 / 10

Item No. PF01186 Version
 DESCRIPTION: S-6
 S-6 ALTO_230V 歐規_CHINA

UNIT: PCS
 Date: 2002/11/14

Version	Item No	Loss %	Ver.	Unit	Cardinal	Effective Date
Component Remark	Item Descri				Usage Rate	@:Phantom Layer Attrition Rate
0003-----	RD00065 SMDfixed resistor 1/10W 47 ±5% 0603 R239,R240			PCS	2.0000 1 0.00 %	2002/10/07 Y
0004-----	RD00346 resistor 56 ±5% 0603 R250			PCS	1.0000 1 0.00 %	2002/10/07 Y
0005-----	RD00069 SMDfixed resistor 1/10W 120 ±5% 0603 R217,R218,R219,R220,R221,R222,R228,R229,R230,R231			PCS	10.0000 1 0.00 %	2002/10/07 Y
0006-----	RD00078 SMDfixed resistor 1/10W 470 ±5% 0603 R44,R45,R46,R47,R48,R49			PCS	6.0000 1 0.00 %	2002/10/07 Y
0007-----	RD00079 SMDfixed resistor 1/10W 560 ±5% 0603 R251			PCS	1.0000 1 0.00 %	2002/10/07 Y
0008-----	RD00082 SMDfixed resistor 1/10W 820 ±5% 0603 R252,R253			PCS	2.0000 1 0.00 %	2002/10/07 Y
0009-----	RD00349 resistor 910 ±5% 0603 R88,R89,R90,R91,R92,R93,R94,R95,R96,R97,R98,R99			PCS	12.0000 1 0.00 %	2002/10/07 Y
0010-----	RD00083 SMDfixed resistor 1/10W 1.0K ±5% 0603 R257,R258			PCS	2.0000 1 0.00 %	2002/10/07 Y
0011-----	RD00350 resistor 1.1K ±5% 0603 R100,R101,R102,R103,R104,R105			PCS	6.0000 1 0.00 %	2002/10/07 Y
0012-----	RD00351 resistor 1.3K ±5% 0603 R63,R64,R66,R67,R68,R69			PCS	6.0000 1 0.00 %	2002/10/07 Y
0013-----	RD00085 SMDfixed resistor 1/10W 1.5K ±5% 0603 R120,R121			PCS	2.0000 1 0.00 %	2002/10/07 Y
0014-----	RD00087 SMDfixed resistor 1/10W 2.0K ±5% 0603 R238			PCS	1.0000 1 0.00 %	2002/10/07 Y
0015-----	RD00092 SMDfixed resistor 1/10W 3.9K ±5% 0603 R124,R125,R126,R127,R128,R129,R254			PCS	7.0000 1 0.00 %	2002/10/07 Y

Multi-Level BOM Structure Listing

Report No.: IEBO_P02
 Prepared by JG010012[張淑菁]

Date 2003/08/08
 Page No.: 4 / 10

Item No. PF01186 Version
 DESCRIPTION: S-6
 S-6 ALTO_230V 歐規_CHINA

UNIT: PCS
 Date: 2002/11/14

Version	Item No	Loss %	Ver.	Unit	Cardinal	Effective Date
Component Remark	Item Descri				Usage Rate	@:Phantom Layer
					Attrition Rate	
0016-----	RD00093 SMDfixed resistor 1/10W 4.7K ±5% 0603 R212, R213, R214, R215, R216			PCS	5.0000 1 0.00 %	2002/10/07 Y
0017-----	RD00094 SMDfixed resistor 1/10W 5.1K ±5% 0603 R141, R142, R143, R144, R145, R146, R147, R148, R149, R150, R151, R152, R153, R154, R155, R156, R157, R158			PCS	18.0000 1 0.00 %	2002/10/07 Y
0018-----	RD00095 SMDfixed resistor 1/10W 5.6K ±5% 0603 R255			PCS	1.0000 1 0.00 %	2002/10/07 Y
0019-----	RD00097 SMDfixed resistor 1/10W 6.8K ±5% 0603 R71, R73, R74, R75, R76, R77, R78, R79, R80, R81, R82, R83, R84, R85, R86, R87			PCS	16.0000 1 0.00 %	2002/10/07 Y
0020-----	RD00098 SMDfixed resistor 1/10W 7.5K ±5% 0603 R261, R262			PCS	2.0000 1 0.00 %	2002/10/07 Y
0021-----	RD00101 SMDfixed resistor 1/10W 10K ±5% 0603 R165, R166, R167, R168, R169, R170, R171, R172, R173, R174, R175, R176, R177, R178, R179, R180, R181, R182, R183, R184, R185, R186, R187, R188, R189, R190, R191, R192, R193, R194, R195, R196, R197, R198, R199, R200, R201, R202, R203, R204, R205, R247, R248, R62			PCS	44.0000 1 0.00 %	2002/10/07 Y
0022-----	RD00306 resistor 20K ±5% 0603 R15, R16, R17, R18, R21, R22, R23, R24, R25, R26, R27, R28, R29			PCS	13.0000 1 0.00 %	2002/10/09 Y
0023-----	RD00105 SMDfixed resistor 1/10W 22K ±5% 0603 R112, R113, R114, R115, R116, R117, R118, R119, R256			PCS	9.0000 1 0.00 %	2002/10/07 Y
0024-----	RD00106 SMDfixed resistor 1/10W 27K ±5% 0603 R259, R260			PCS	2.0000 1 0.00 %	2002/10/07 Y
0025-----	RD00107 SMDfixed resistor 1/10W 30K ±5% 0603 R234, R235			PCS	2.0000 1 0.00 %	2002/10/07 Y
0026-----	RD00353 resistor 36K ±5% 0603 R130, R131, R132, R135, R136, R137, R138, R139, R140			PCS	9.0000 1 0.00 %	2002/10/07 Y
0027-----	RD00111 SMDfixed resistor 1/10W 47K ±5% 0603 R206, R207, R208, R209, R210, R211			PCS	6.0000 1 0.00 %	2002/10/07 Y

Multi-Level BOM Structure Listing

Report No.: IEB0_P02
 Prepared by JG010012[張淑菁]

Date 2003/08/08
 Page No.: 5 / 10

Item No. PF01186 Version
 DESCRIPTION: S-6
 S-6 ALTO_230V 歐規_CHINA

UNIT: PCS
 Date: 2002/11/14

Version	Item No	Loss %	Ver.	Unit	Cardinal	Effective Date
Component Remark	Item Descri				Usage Rate	@:Phantom Layer Attrition Rate
0028-----	RD00112 SMDfixed resistor 1/10W 56K ±5% 0603 R232,R233			PCS	2.0000 1 0.00 %	2002/10/07 Y
0029-----	RD00116 SMDfixed resistor 1/10W 100K ±5% 0603 R243,R244,R245,R246			PCS	4.0000 1 0.00 %	2002/10/07 Y
0030-----	RD00345 resistor 390K ±5% 0603 R20			PCS	1.0000 1 0.00 %	2002/10/07 Y
0031-----	RD00125 SMDfixed resistor 1/10W 1.0M ±5% 0603 R106,R107,R108,R109,R110,R111			PCS	6.0000 1 0.00 %	2002/10/07 Y
0032-----	RD00201 SMDprecise resistor 1/10W 1.50K ±1% 0603 R122,R123,R159,R160,R161,R162			PCS	6.0000 1 0.00 %	2002/10/07 Y
0033-----	RD00204 SMDprecise resistor 1/10W 2.49K ±1% 0603 R30,R31,R32,R33,R34,R35,R36,R37,R38,R39,R40,R41,R42,R43			PCS	14.0000 1 0.00 %	2002/10/07 Y
0034-----	RD00406 resistor 3.60K ±1% 0603 R236,R237			PCS	2.0000 1 0.00 %	2002/10/07 Y
0035-----	RD00210 SMDprecise resistor 1/10W 5.11K ±1% 0603 R50,R51,R52,R53,R54,R55,R56,R57			PCS	8.0000 1 0.00 %	2002/10/07 Y
0036-----	RD00287 resistor 6.34K ±1% 0603 R11,R12,R13,R14			PCS	4.0000 1 0.00 %	2002/10/07 Y
0037-----	RD00214 SMDprecise resistor 1/10W 10.0K ±1% 0603 R58,R59,R60,R61			PCS	4.0000 1 0.00 %	2002/10/07 Y
0038-----	RD00407 resistor 36.0K ±1% 0603 R133,R134			PCS	2.0000 1 0.00 %	2002/10/07 Y
0039-----	RD00002 SMDfixed resistor 1/10W 0 ±5% 0805 R163			PCS	1.0000 1 0.00 %	2002/10/07 Y
0040-----	RD00004 SMDfixed resistor 1/10W 47 ±5% 0805 R241,R242			PCS	2.0000 1 0.00 %	2002/10/07 Y

Multi-Level BOM Structure Listing

Report No.: IEB0_P02
 Prepared by JG010012[張淑菁]

Date 2003/08/08
 Page No.: 6 / 10

Item No. PF01186 Version
 DESCRIPTION: S-6
 S-6 ALTO_230V_歐規_CHINA

UNIT: PCS
 Date: 2002/11/14

Version	Item No Item Descri	Loss %	Ver.	Unit	Cardinal Usage Rate @: Attrition Rate	Effective Date Phantom Layer Rate
0041-----	RD00007 SMDfixed resistor 1/10W 120 ±5% 0805 R224, R225, R226, R227			PCS	4.0000 1 0.00 %	2002/10/07 Y
0042-----	RD00129 SMDfixed resistor 1/4W 0 ±5% 1206 L1, L2			PCS	2.0000 1 0.00 %	2002/10/07 Y
0043-----	CI00051 SMDceramic capacitor0603 22PF/50V NPO ±5% C127, C128, C129, C130, C131, C132, C133, C134, C135, C136, C137, C138, C139, C140, C141, C142, C143, C144, C145, C146, C17, C18, C19, C20, C21, C22, C23, C24, C25, C26, C27, C28, C29, C30, C31, C32, C33, C34, C35, C36, C37			PCS	41.0000 1 0.00 %	2002/10/07 Y
0044-----	CI00059 SMDceramic capacitor0603 100PF/50V NPO ±5% C211, C212, C215, C216, C217, C218, C219, C220, C221, C222, C223, C224			PCS	12.0000 1 0.00 %	2002/10/07 Y
0045-----	CI00062 SMDceramic capacitor0603 330PF/50V NPO ±5 % C5, C6			PCS	2.0000 1 0.00 %	2002/10/07 Y
0046-----	CI00065 SMDceramic capacitor0603 0.001uF/50V X7R ±10% C147, C148, C149, C150			PCS	4.0000 1 0.00 %	2002/10/07 Y
0047-----	CI00071 SMDceramic capacitor0603 0.01uF/50V X7R ±10% C11, C12, C13, C14			PCS	4.0000 1 0.00 %	2002/10/07 Y
0048-----	CI00075 SMDceramic capacitor0603 0.1uF/50V Y5V +80, -20% C165, C166, C167, C168, C169, C170, C171, C172, C173, C174, C187, C188, C193, C194, C195, C196, C199, C200, C201, C202, C203, C204, C205, C206, C207, C208, C209, C210, C38, C39, C40, C41, C42, C43			PCS	34.0000 1 0.00 %	2002/10/07 Y
0049-----	SE00028 diode BAS316, 115 C3, C4			PCS	2.0000 1 0.00 %	2002/10/07 Y
0050-----	SE00011 SMD rectifier diode RLS4148 0.5A (LL-34) D8, D9			PCS	2.0000 1 0.00 %	2002/10/07 Y
0051-----	SE00008 SMD rectifier diode DA204K/T-146 D1, D2, D5			PCS	3.0000 1 0.00 %	2002/10/07 Y
0052-----	SF00004 SMD transistor 2SA1036K(R) (MMBT3906LT1) TR10, TR19, TR20, TR5, TR6, TR7, TR8, TR9			PCS	8.0000 1 0.00 %	2002/10/07 Y

Multi-Level BOM Structure Listing

Report No.: IEBO_P02
 Prepared by JG010012[張淑菁]

Date 2003/08/08
 Page No.: 7 / 10

Item No. PF01186 Version
 DESCRIPTION: S-6
 S-6 ALTO_230V 歐規_CHINA

UNIT: PCS
 Date: 2002/11/14

Version	Item No	Loss %	Ver.	Unit	Cardinal	Effective Date
Component Remark	Item Descri				Usage Rate	@:Phantom Layer
					Attrition Rate	
0053-----	SF00010 SMD transistor 2SC2412K(R)(MMBT3904LT1) TR11, TR12, TR13, TR14, TR15, TR16, TR17, TR18			PCS	8.0000 1 0.00 %	2002/10/07 Y
0054-----	SG00116 SMD積體電路 BA10339FV E2 U21, U22, U23			PCS	3.0000 1 0.00 %	2002/10/07 Y
0055-----	SG00122 SMD integrated circuit NJM4580M-TE3 U1, U10, U11, U12, U13, U14, U15, U16, U17, U2, U20, U24, U3, U5, U6, U7, U8, U9			PCS	18.0000 1 0.00 %	2002/10/07 Y
0002-----	RA00159 fixed resistor 1/4W 10 Mr type R65			PCS	1.0000 1 0.00 %	2002/10/07 Y
0003-----	RA00185 fixed resistor 1/4W 120 M type R223, R249			PCS	2.0000 1 0.00 %	2002/10/07 Y
0004-----	RA00505 precise resistor 1/4W 6.81K M type R10, R7, R8, R9			PCS	4.0000 1 0.00 %	2002/10/07 Y
0005-----	CB00011 electrolytic capacitor 2.2uF/50V C123, C124, C125, C126			PCS	4.0000 1 0.00 %	2002/10/07 Y
0006-----	CB00029 electrotytic capacitor 22uF/35V C1, C2, C3, C4			PCS	4.0000 1 0.00 %	2002/10/07 Y
0007-----	CB00175 capacitor 47uF/25V SLL 5*11mm C213, C214, C44, C45, C46, C47, C48, C49, C51, C52, C53, C54, C56, C57, C58, C59, C60, C61, C62, C63, C64, C65, C66, C67, C68, C69, C70, C71, C72, C73, C74, C75, C76, C77, C78, C79, C80, C81, C82, C83, C84, C85, C86, C87, C88, C89, C90, C91, C92, C93, C94, C95, C96, C97, C98			PCS	55.0000 1 0.00 %	2003/06/13 Y
0008-----	CF00054 metal-film capacitor(MSC) 0.012uF/63V ±5% CASE01 4mm C105, C106, C107, C108, C109, C110, C117, C118, C119, C120, C121, C122			PCS	12.0000 1 0.00 %	2002/10/07 Y
0009-----	CF00021 metal-film capacitor 0.018uF/63V 5% CASE01 4mm C100, C101, C102, C103, C104, C111, C112, C113, C114, C115, C116, C99			PCS	12.0000 1 0.00 %	2002/10/07 Y
0010-----	CF00023 metal-film capacitor MSC 0.033uF/63V 5% CASE01 4mm C151, C152, C153, C154, C155, C156, C157, C158, C159, C160, C161, C162			PCS	12.0000 1 0.00 %	2002/10/07 Y

Multi-Level BOM Structure Listing

Report No.: IEBO_P02
 Prepared by JG010012[張淑菁]

Date 2003/08/08
 Page No.: 8 / 10

Item No. PF01186 Version
 DESCRIPTION: S-6
 S-6_ALTO_230V_歐規_CHINA

UNIT: PCS
 Date: 2002/11/14

Version	Item No	Loss %	Ver.	Unit	Cardinal	Effective Date
Component Remark	Item Descri				Usage Rate	@:Phantom Layer
					Attrition	Rate
0011-----	CB00042 electrotytic capacitor 47uF/63V LZ 105 8*12 C10,C7,C8,C9			PCS	4.0000 1 0.00 %	2002/10/07 Y
0012-----	CB00043 electrolytic capacitor 47uF/100V C178,C179,C50,C55			PCS	4.0000 1 0.00 %	2002/10/07 Y
0013-----	CB00052 electrotytic capacitor 100uF/100V C177			PCS	1.0000 1 0.00 %	2002/10/07 Y
0014-----	CB00074 electrotytic capacitor 1000uF/10V 8*11.5 C15,C16			PCS	2.0000 1 0.00 %	2002/10/07 Y
0015-----	CB00073 electrolytic capacitor 1000uF/35V 13*20mm C180,C181			PCS	2.0000 1 0.00 %	2002/10/07 Y
0016-----	SB00050 transistor 2SA1316-GR TR1,TR2,TR3,TR4			PCS	4.0000 1 0.00 %	2002/10/07 Y
0017-----	SD00077 integrated circuit 7815(TO-220) TR21			PCS	1.0000 1 0.00 %	2002/10/07 Y
0018-----	SD00079 integrated circuit 7915(TO-220) TR22			PCS	1.0000 1 0.00 %	2002/10/07 Y
0019-----	SB00043 transistor TIP122(ST) TR23			PCS	1.0000 1 0.00 %	2002/10/07 Y
0020-----	SD00007 integrated circuit BA15218N (M5218L substitute) U18,U19			PCS	2.0000 1 0.00 %	2002/10/07 Y
0021-----	SA00094 rectifier diode 1N4002/100V D10,D11,D6,D7			PCS	4.0000 1 0.00 %	2002/10/07 Y
0022-----	SA00127 zener diode 1/2W 47V 1N5261 ZD1			PCS	1.0000 1 0.00 %	2002/10/07 Y
0023-----	HI00162 按壓式SW 2段6P PS-22E8552L (3.3x3.3) SW2,SW3,SW4			PCS	3.0000 1 0.00 %	2002/10/07 Y

Multi-Level BOM Structure Listing

Report No.: IEBO_P02
 Prepared by JG010012[張淑菁]

Date 2003/08/08
 Page No.: 9 / 10

Item No. PF01186 Version
 DESCRIPTION: S-6
 S-6 ALTO_230V 歐規_CHINA

UNIT: PCS
 Date: 2002/11/14

Version	Item No	Loss %	Ver.	Unit	Cardinal	Effective Date
Component Remark	Item Descri				Usage Rate @:Phantom Layer	Attrition Rate
0024-----	SA00053 L.E.D high intensity 3m/m round(red)long foot 26mm LD1,LD10,LD16,LD18,LD2,LD3,LD4			PCS	7.0000 1 0.00 %	2002/10/07 Y
0025-----	SA00052 L.E.D high intensity 3m/m round(green)long foot 26 LD11,LD12,LD13,LD14,LD17,LD5,LD6,LD7,LD8			PCS	9.0000 1 0.00 %	2002/10/07 Y
0026-----	SA00054 L.E.D high intensity 3m/m round(yellow)long foot 26 LD15,LD9			PCS	2.0000 1 0.00 %	2002/10/07 Y
0027-----	NI01782 LED spacer support LEDS-11 11mm			PCS	18.0000 1 0.00 %	2002/10/07 Y
0028-----	RC00233 potentiometer B50K RV09BC-40-30F-B50K-OC VR10,VR11,VR3,VR4,VR5,VR9			PCS	6.0000 1 0.00 %	2002/10/07 Y
0029-----	RC00235 potentiometer W50K RV09BC-40-30F-W50K-OC VR12,VR14,VR18,VR24,VR6,VR8			PCS	6.0000 1 0.00 %	2002/10/07 Y
0030-----	RC00236 potentiometer B50K RV112BC-40-30A-B50K-OC VR15,VR16,VR17,VR21,VR22,VR23			PCS	6.0000 1 0.00 %	2002/10/07 Y
0031-----	RC00237 potentiometer W50K RV112BC-40-30A-W50K-OC VR20,VR26,VR27,VR28,VR29			PCS	5.0000 1 0.00 %	2002/10/07 Y
0032-----	RC00259 potentiometer J/Q10K RV112BC-40-30A-J/Q10K-OC VR13,VR19,VR25,VR7			PCS	4.0000 1 0.00 %	2002/10/07 Y
0033-----	RC00296 potentiometer 010K RV09BC-40-30F-02C10K VR1,VR2			PCS	2.0000 1 0.00 %	2003/03/15 Y
0034-----	HC00403 rca SCP6873NS3232T2 4P X17			PCS	1.0000 1 0.00 %	2002/10/07 Y
0035-----	HC00126 MIC jack for balance JY-5042-030G female plug 180° X1,X3			PCS	2.0000 1 0.00 %	2002/10/07 Y
0036-----	HC00125 MIC jack JY-6351G-02-250 X10,X11,X12,X13,X14,X15,X16,X18,X19,X2,X4,X7,X8,X9			PCS	14.0000 1 0.00 %	2002/10/07 Y
0037-----	HC00183 stereo headphone jack KJ-36-S 3.5 CN1			PCS	1.0000 1 0.00 %	2002/10/07 Y

Multi-Level BOM Structure Listing

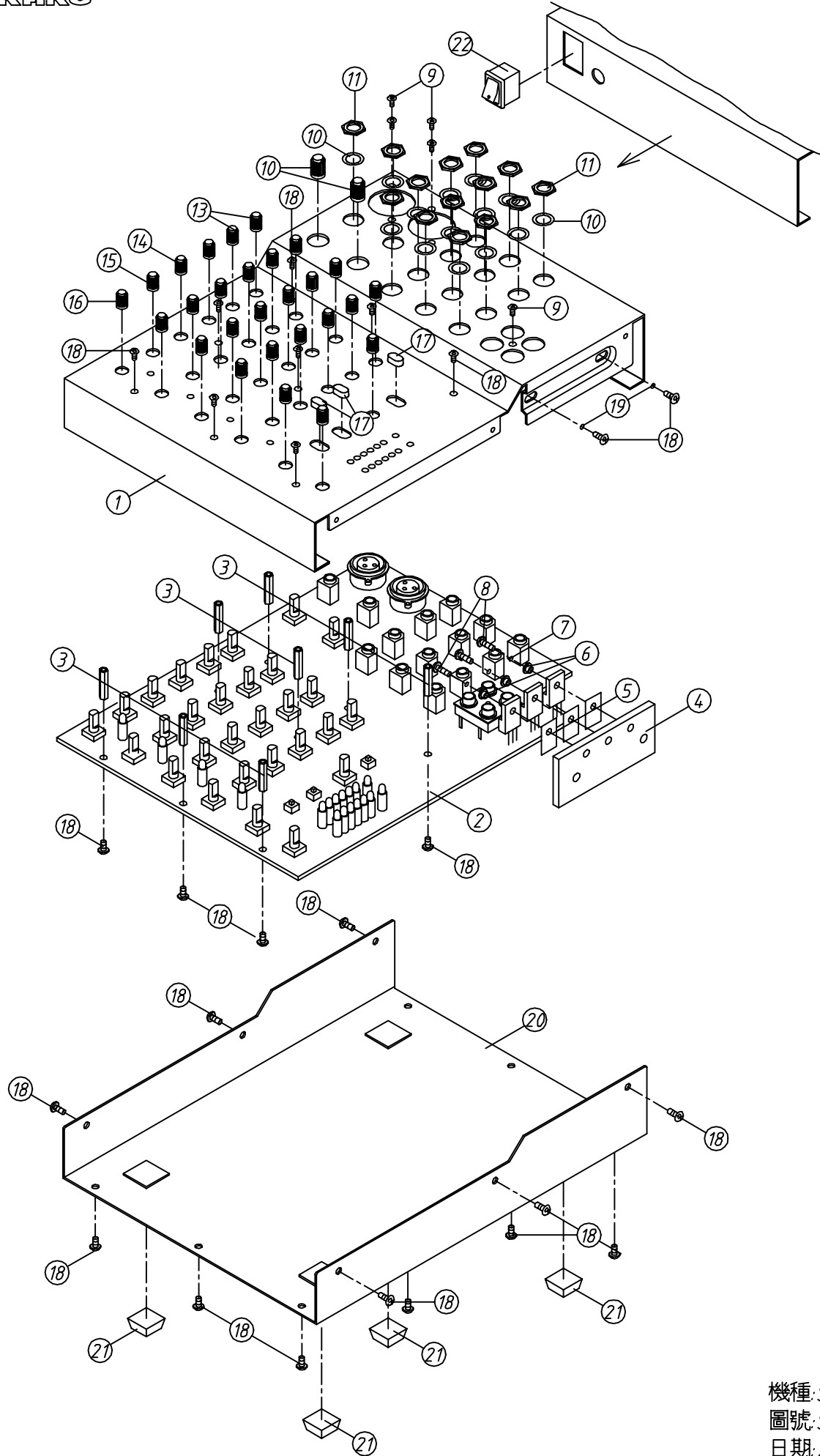
Report No.: IEBO_P02
 Prepared by JG010012[張淑菁]

Date 2003/08/08
 Page No.: 10 / 10

Item No. PF01186 Version
 DESCRIPTION: S-6
 S-6 ALTO_230V 歐規_CHINA

UNIT: PCS
 Date: 2002/11/14

Version	Item No	Loss %	Ver.	Unit	Cardinal	Effective Date
Component Remark	Item Descri				Usage Rate	@:Phantom Layer Attrition Rate
0038-----	NI02249 caushion TW-1(TO-220)			PCS	3.0000 1 0.00 %	2002/10/09
0039-----	NC00022 insulation 0.3t*18*45mm S-8			PCS	1.0000 1 0.00 %	2002/11/13
0040-----	MG00162 screw M3*8			PCS	3.0000 1 0.00 %	2002/10/09
0041-----	MJ01144 heat sink S-6			PCS	1.0000 1 0.00 %	2002/11/08
0001-----	MJ01143 heat sink S-6			PCS	1.0000 1 0.00 %	2002/11/11 N
0001-----	MJ00070 AL board 4*2440*1220 32.40kg			PCS KG	1.0000 1700 0.00 %	2002/11/11 N
0042-----	MF00037 washer 3* 5*1t			PCS	3.0000 1 0.00 %	2002/10/09
0043-----	RA00250 fixed resistor 1/4W 20K M type R19			PCS	1.0000 1 0.00 %	2002/10/09
0044-----	CB00072 electrotytic capacitor 1000uF/25V 10*20 C175,C176			PCS	2.0000 1 0.00 %	2002/10/25
0045-----	HC00065 row-wire header 2P 2.5mm 90°			PCS	1.0000 1 0.00 %	2002/11/05
0032-----	NE10551 label S-6			PCS	4.0000 1 0.00 %	2002/11/14 Y
0001-----	NH00012 bond paper 0.04*1M			M	1.0000 80 0.00 %	2003/02/16 N
0002-----	NI00014 membrane 0.035*1M			M	1.0000 80 0.00 %	2003/02/16 N



機種: S-6
圖號: S6-00
日期: 2002/10/4

