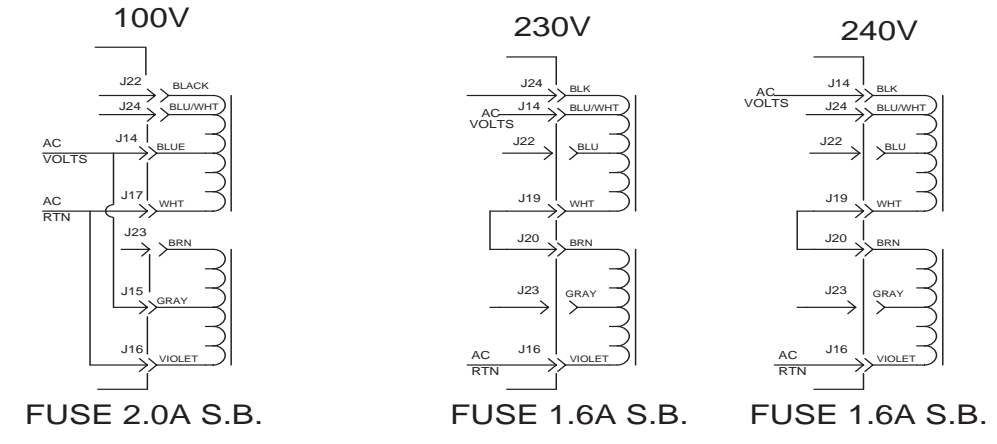


TEST POINTS:
 20mVrms @ 1kHz INTO 0 db INPUT
 GAIN, MASTER @ 10, TONES @ 5
 4 OHM LOAD

CAUTION:
 THIS SCHEMATIC IS PROVIDED FOR USE BY QUALIFIED PERSONNEL. TO AVOID RISK OF ELECTRIC SHOCK, REFER SERVICING TO QUALIFIED SERVICE PERSONNEL. DO NOT PERFORM ANY SERVICING BEYOND THAT EXPLAINED IN THE OPERATING INSTRUCTIONS.

NOTES:
 1) CAUTION: SHOCK HAZARD!! THIS UNIT CONTAINS HAZARDOUS VOLTAGE. DISCONNECT POWER AND BE SURE POWER SUPPLY IS DISCHARGED BEFORE TOUCHING INTERNAL PARTS.
 2) UNLESS NOTED, RESISTOR VALUES IN OHMS, 1/4W-5% TOL. CAPACITOR VALUES IN MICROFARADS, 50V-10% TOL.
 3) VOLTAGES ARE MEASURED WITH 1 MEGOHM OSCILLOSCOPE AND 10 MEGOHM DIGITAL VOLTMETER.

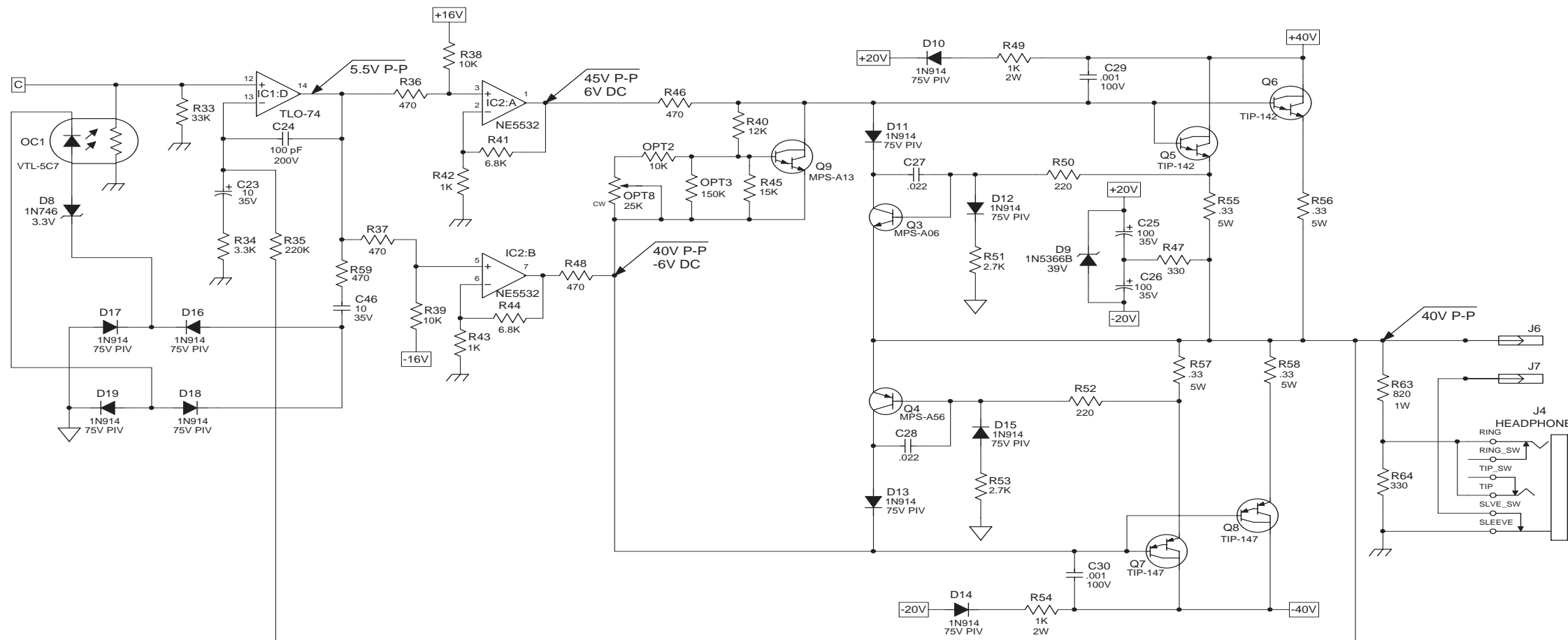
EXPORT WIRING



REV	Date	DESCRIPTION	Ecr(s)/Ecn(s)	Chgd By	Appvd by	Date
B	04/24/06	FIX ORIENTATION OF OC1, FIX VALUES, RE-CONNECT GND TRACE	R01904	WFB		
A	11/11/05	REDRAWN IN NEW FORMAT	DR050353	WFB		

THE INFORMATION CONTAINED ON THIS DRAWING IS PROPRIETARY TO ST. LOUIS MUSIC, INC.

Signatures:		Date:
Drawn: WFB	11/09/05	
Checked:	First Used On:	
Released:	1901 Congressional, St. Louis, MO 63146	
Plot Date: Tue Apr 25, 2006	Drawing Size: C	Drawing Title: BASS AMP SCHEMATIC
Plot Time: 07:11:45	Drawing Type: Schematic	Drawing Number: 07S243
Tolerance:	Class Code: NONE	Sheet 1 of 2



BIAS: AT TURN ON, VOLTAGE ACROSS R55,56,57 AND R58 IS BETWEEN 1 AND 10mV DC

OUTPUT: OUTPUT IS 18Vrms AT LESS THAN 2% THD WITH AN INPUT OF 100mVrms

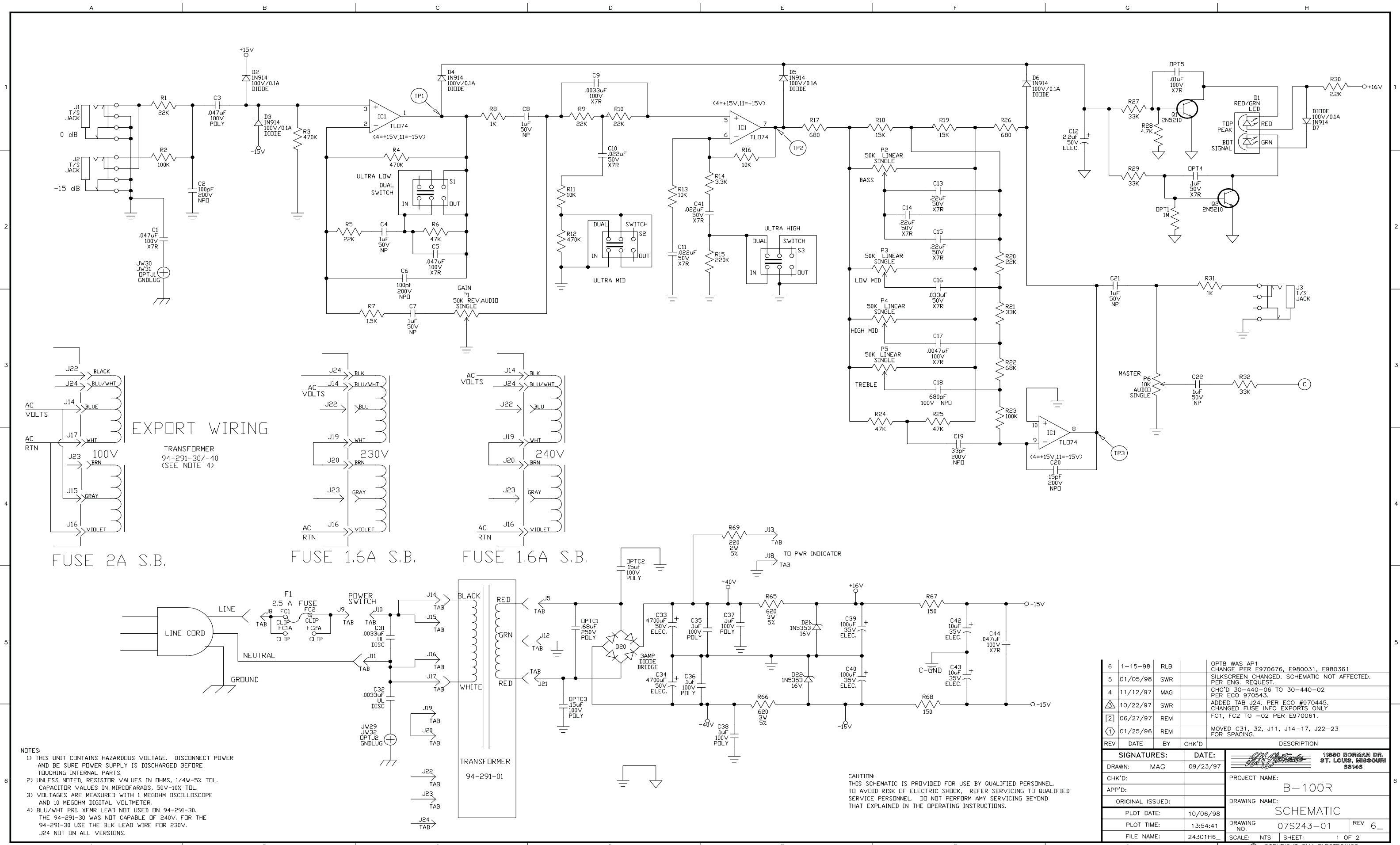
CAUTION:
THIS SCHEMATIC IS PROVIDED FOR USE BY QUALIFIED PERSONNEL. TO AVOID RISK OF ELECTRIC SHOCK, REFER SERVICING TO QUALIFIED SERVICE PERSONNEL. DO NOT PERFORM ANY SERVICING BEYOND THAT EXPLAINED IN THE OPERATING INSTRUCTIONS.

- NOTES:
- 1) CAUTION: SHOCK HAZARD!! THIS UNIT CONTAINS HAZARDOUS VOLTAGE. DISCONNECT POWER AND BE SURE POWER SUPPLY IS DISCHARGED BEFORE TOUCHING INTERNAL PARTS.
 - 2) UNLESS NOTED, RESISTOR VALUES IN OHMS, 1/4W-5% TOL. CAPACITOR VALUES IN MICROFARADS, 50V-10% TOL.
 - 3) VOLTAGES ARE MEASURED WITH 1 MEGOHM OSCILLOSCOPE AND 10 MEGOHM DIGITAL VOLTMETER.

REV	Date	DESCRIPTION	Ecr(s)/Ecn(s)	Chgd By	Appvd by	Date
B	04/24/06	FIX ORIENTATION OF OC1, FIX VALUES, RE-CONNECT GND TRACE	R01904	WFB		
A	11/11/05	REDRAWN IN NEW FORMAT	DR050353	WFB		

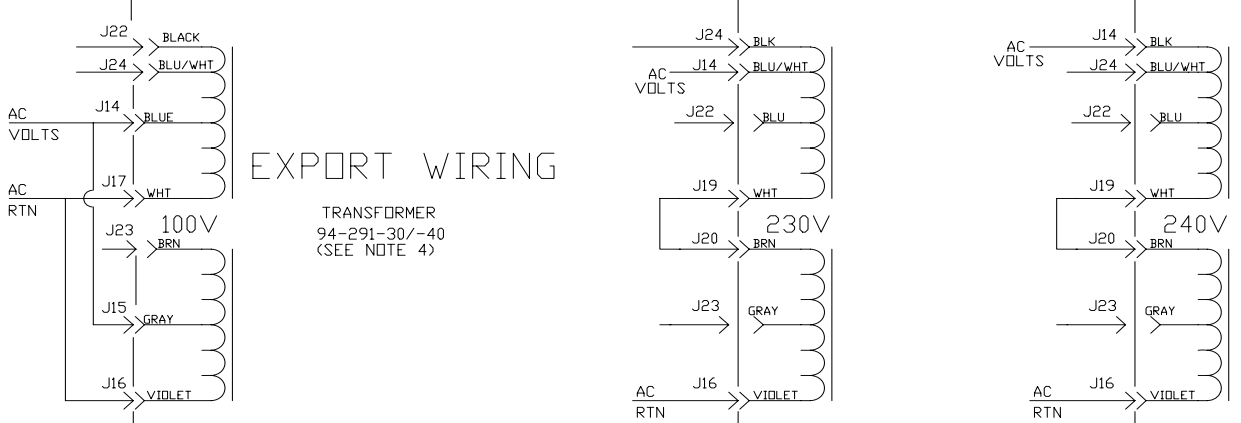
THE INFORMATION CONTAINED ON THIS DRAWING IS PROPRIETARY TO ST. LOUIS MUSIC, INC.

Signatures:		Date:	 1901 Congressional, St. Louis, MO 63146
Drawn:	WFB	11/09/05	
Checked:			First Used On:
Released:			
Plot Date: Tue Apr 25, 2006	Drawing Size: C	Drawing Title: BASS AMP SCHEMATIC	
Plot Time: 07:11:45	Drawing Type: Schematic	Drawing Number: 07S243	
Tolerance:	Class Code: NONE	Sheet 2 of 2	



EXPORT WIRING

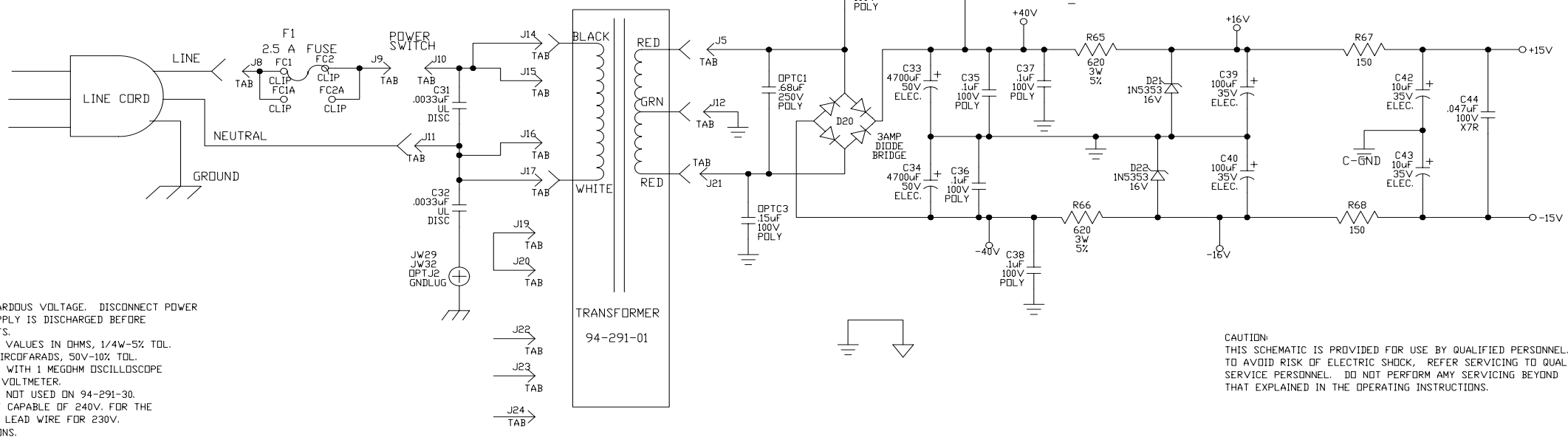
TRANSFORMER
94-291-30/-40
(SEE NOTE 4)



FUSE 2A S.B.

FUSE 1.6A S.B.

FUSE 1.6A S.B.



- NOTES:
- 1) THIS UNIT CONTAINS HAZARDOUS VOLTAGE. DISCONNECT POWER AND BE SURE POWER SUPPLY IS DISCHARGED BEFORE TOUCHING INTERNAL PARTS.
 - 2) UNLESS NOTED, RESISTOR VALUES IN OHMS, 1/4W-5% TOL. CAPACITOR VALUES IN MICROFARADS, 50V-10% TOL.
 - 3) VOLTAGES ARE MEASURED WITH 1 MEGOHM OSCILLOSCOPE AND 10 MEGOHM DIGITAL VOLTMETER.
 - 4) BLU/WHT PRI. XFMR LEAD NOT USED ON 94-291-30. THE 94-291-30 WAS NOT CAPABLE OF 240V. FOR THE 94-291-30 USE THE BLK LEAD WIRE FOR 230V. J24 NOT ON ALL VERSIONS.

CAUTION:
THIS SCHEMATIC IS PROVIDED FOR USE BY QUALIFIED PERSONNEL.
TO AVOID RISK OF ELECTRIC SHOCK, REFER SERVICING TO QUALIFIED
SERVICE PERSONNEL. DO NOT PERFORM ANY SERVICING BEYOND
THAT EXPLAINED IN THE OPERATING INSTRUCTIONS.

REV	DATE	BY	CHK'D	DESCRIPTION
6	1-15-98	RLB		OPT8 WAS AP1 CHANGE PER E970676, E980031, E980361
5	01/05/98	SWR		SILKSCREEN CHANGED. SCHEMATIC NOT AFFECTED. PER ENG. REQUEST.
4	11/12/97	MAG		CHG'D 30-440-06 TO 30-440-02 PER ECO 970543.
Δ	10/22/97	SWR		ADDED TAB J24. PER ECO #970445. CHANGED FUSE INFO EXPORTS ONLY
□	06/27/97	REM		FC1, FC2 TO -02 PER E970061.
Ⓜ	01/25/96	REM		MOVED C31, 32, J11, J14-17, J22-23 FOR SPACING.

SIGNATURES:		DATE:	1880 BORNHAE DR. ST. LOUIS, MISSOURI 63168	
DRAWN:	MAG	09/23/97	PROJECT NAME:	
CHK'D:			B-100R	
APP'D:			DRAWING NAME:	
ORIGINAL ISSUED:			SCHEMATIC	
PLOT DATE:	10/06/98	DRAWING NO.:	07S243-01	REV 6_
PLOT TIME:	13:54:41	SCALE:	NTS	SHEET: 1 OF 2
FILE NAME:	24301H6_	COPYRIGHT SLM ELECTRONICS		

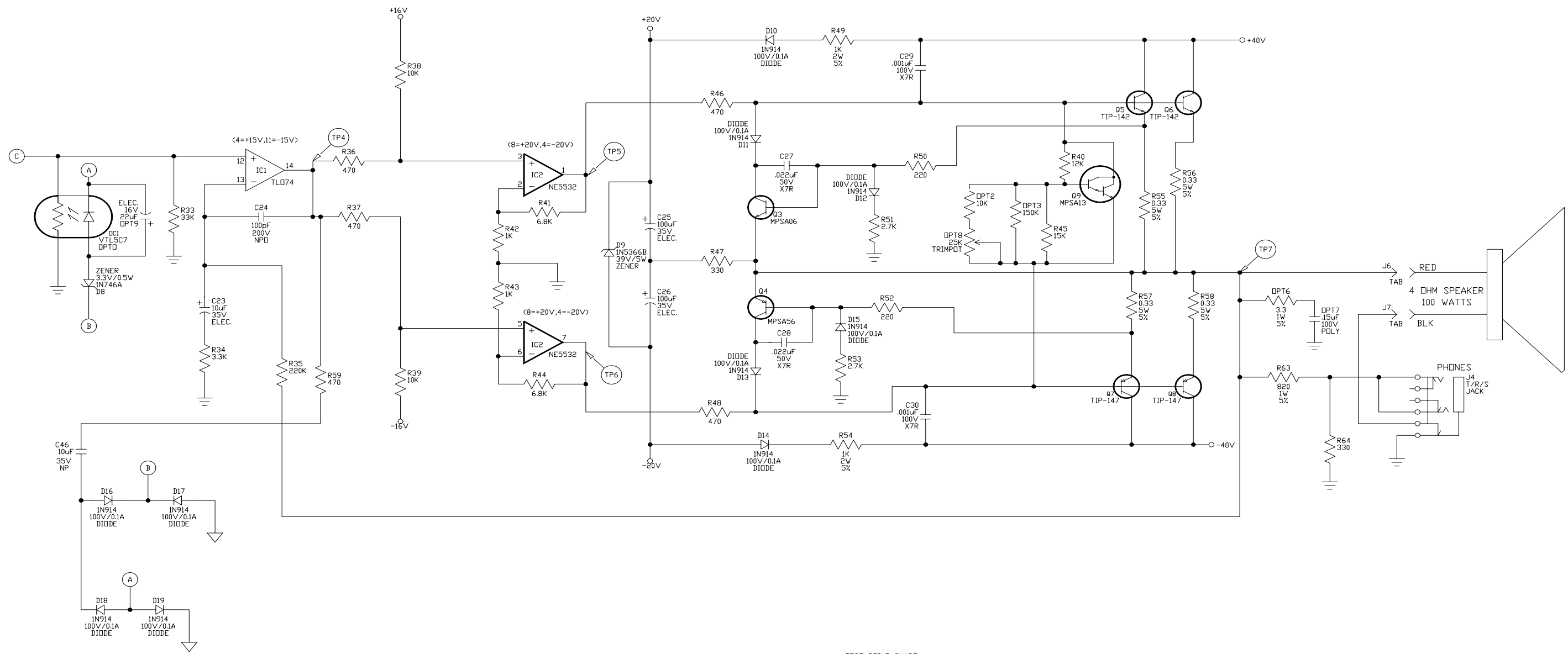


B-100R

©2007 LOUD Technologies Inc. All rights reserved

Bass Amplifier PCB Schematics

PAGE 3



- NOTES:
- 1) THIS UNIT CONTAINS HAZARDOUS VOLTAGE. DISCONNECT POWER AND BE SURE POWER SUPPLY IS DISCHARGED BEFORE TOUCHING INTERNAL PARTS.
 - 2) UNLESS NOTED, RESISTOR VALUES IN OHMS, 1/4W-5% TOL. CAPACITOR VALUES IN MICROFARADS, 50V-10% TOL.
 - 3) VOLTAGES ARE MEASURED WITH 1 MEGOHM OSCILLOSCOPE AND 10 MEGOHM DIGITAL VOLTMETER.

CAUTION:
THIS SCHEMATIC IS PROVIDED FOR USE BY QUALIFIED PERSONNEL. TO AVOID RISK OF ELECTRIC SHOCK, REFER SERVICING TO QUALIFIED SERVICE PERSONNEL. DO NOT PERFORM ANY SERVICING BEYOND THAT EXPLAINED IN THE OPERATING INSTRUCTIONS.

TEST POINT CHART

TEST POINT	SIGNAL	V _{p-p}
TP1	1.5 @ 0VDC	
TP2	2.0 @ 0VDC	
TP3	0.45 @ 0VDC	
TP4	5.5 @ 0VDC	
TP5	45 @ 6VDC	
TP6	40 @ -6VDC	
TP7	40 @ 0VDC	

20mVRMS, 1KHz INPUT
GAIN, MASTER @ 10, TONES @ 5
4 OHM LOAD.

AT TURN-ON, VOLTAGE ACROSS R55, R56, R57, AND R58 IS BETWEEN 1 AND 10mVDC WITH 100mV INPUT, OUTPUT IS 18VRMS @ LESS THAN 2% THD.

SEE SHEET 1 OF 2 FOR REVISION HISTORY

SIGNATURES:	DATE:	
DRAWN: MAG	09/23/97	
CHK'D:		PROJECT NAME:
APP'D:		B-100R
ORIGINAL ISSUED:		DRAWING NAME:
PLOT DATE:	10/06/98	SCHEMATIC
PLOT TIME:	13:54:41	DRAWING NO. 07S243-01
FILE NAME:	24301H6_	REV 6_
		SCALE: NTS SHEET: 2 OF 2

© COPYRIGHT SLM ELECTRONICS