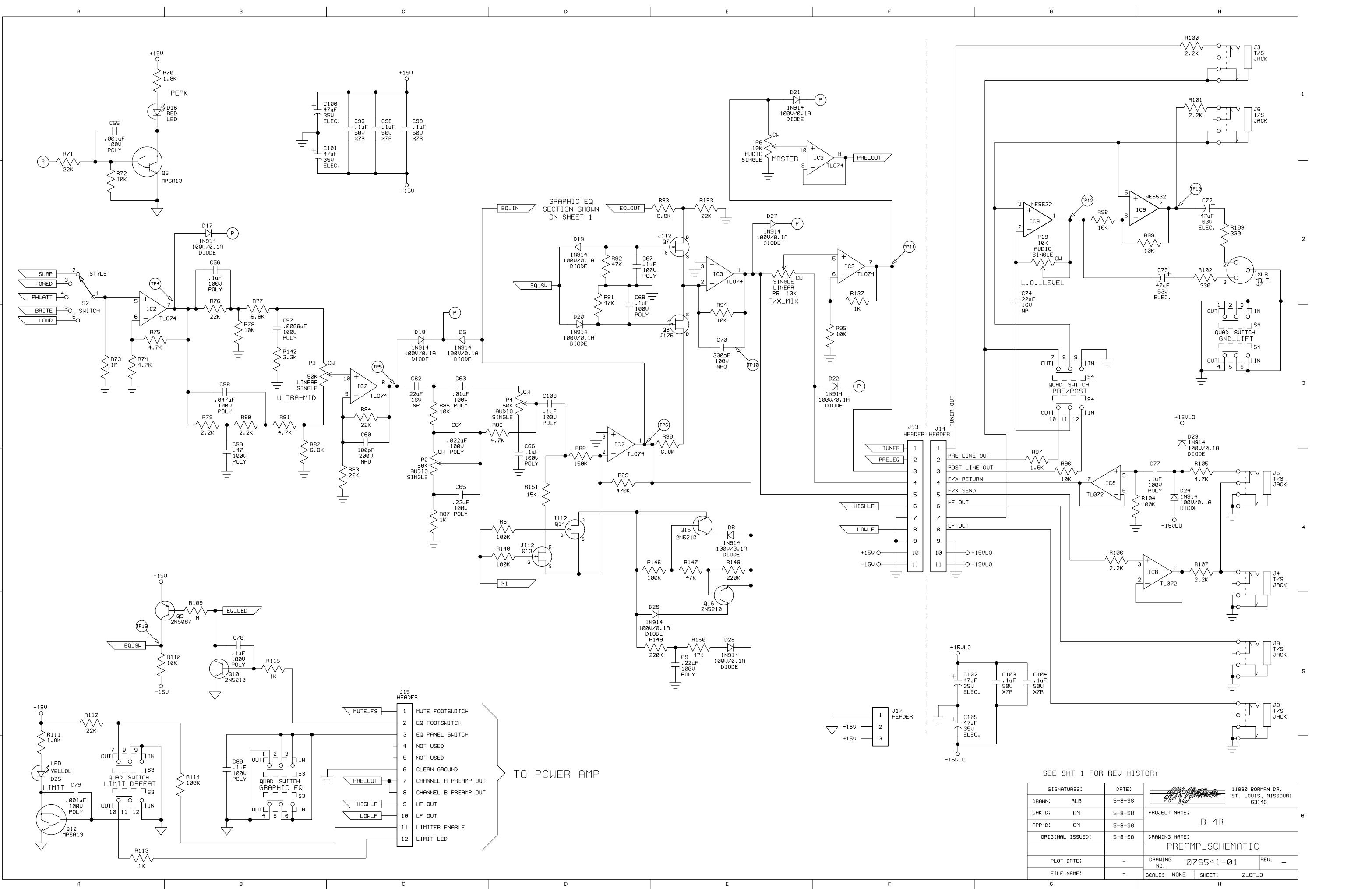


CAUTION:  
THIS SCHEMATIC IS PROVIDED FOR USE BY QUALIFIED PERSONNEL.  
TO AVOID RISK OF ELECTRIC SHOCK, REFER SERVICING TO QUALIFIED  
SERVICE PERSONNEL. DO NOT PERFORM ANY SERVICING BEYOND  
THAT EXPLAINED IN THE OPERATING INSTRUCTIONS.

- NOTES:
- 1) CAUTION: SHOCK HAZARD!!  
THIS UNIT CONTAINS HAZARDOUS VOLTAGE. DISCONNECT POWER  
AND BE SURE POWER SUPPLY IS DISCHARGED BEFORE  
TOUCHING INTERNAL PARTS.
  - 2) UNLESS NOTED, RESISTOR VALUES IN OHMS, 1/4W-5% TOL.  
CAPACITOR VALUES IN MICROFARADS, 50V-10% TOL.
  - 3) VOLTAGES ARE MEASURED WITH 1 MEGOHM OSCILLOSCOPE  
AND 10 MEGOHM DIGITAL VOLTMETER.

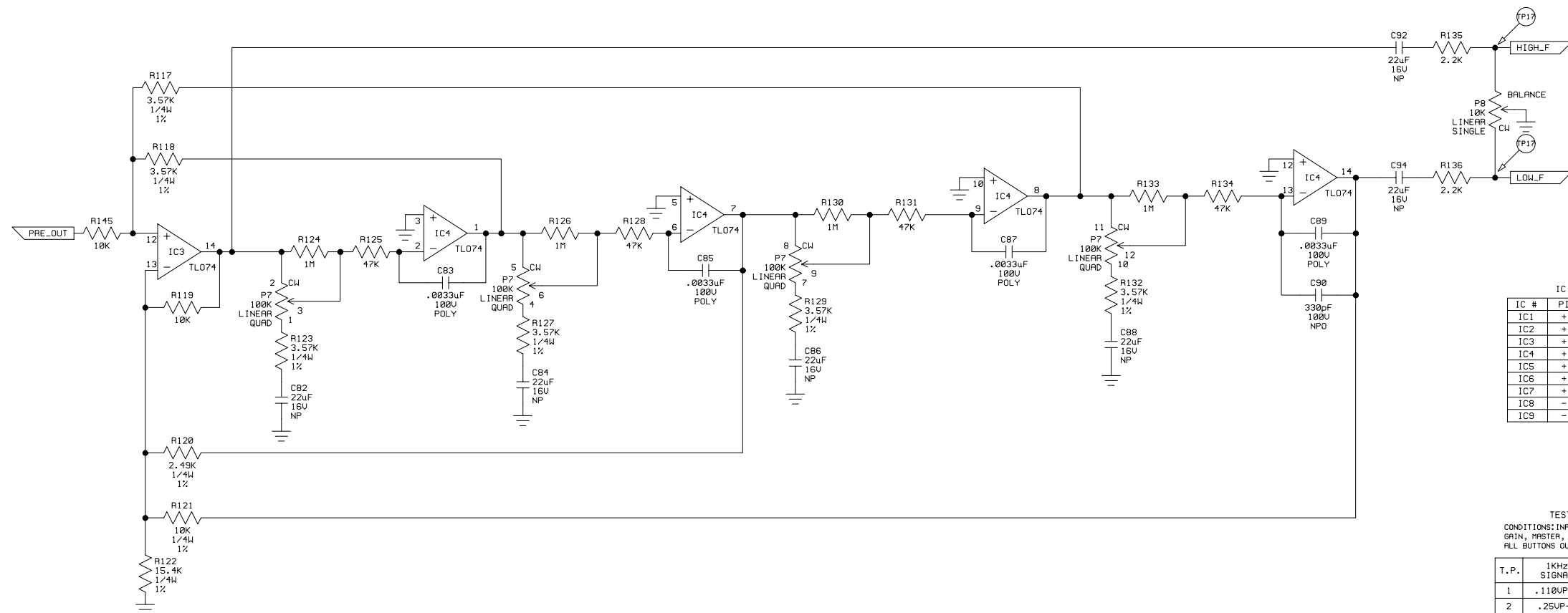
|                  |          |                                     |  |
|------------------|----------|-------------------------------------|--|
| 3                | 3/11/98  | VALUES_&_JACK_P/N_PER_EC0990063_AND | EC0990065  |
| -                | -        | RELOCATED_S2_ON_ASSY                | EC0990595  |
| 2                | 9/14/98  | C4-&R116_DO_NOT_INSTALL             | EC0990542  |
| 1                | 6-23-98  | UPDATE_TO_AGREE_WITH_PICTORIAL      | E980408  |
| REV              | DATE     | DESCRIPTION                         | ECM  |
| SIGNATURES:      |          | DATE:                               | 11880 BORHAN DR.<br>ST. LOUIS, MISSOURI<br>63146 |
| DRAWN:           | RLB      | 5-8-98                              | PROJECT NAME:<br>B-4R                            |
| CHK'D:           | GM       | 5-8-98                              | DRAWING NAME:<br>PREAMP_SCHEMATIC                |
| APP'D:           | GM       | 5-8-98                              | DRAWING NO.<br>07S541-01                         |
| ORIGINAL ISSUED: | 5-8-98   | DRAWING NAME:                       | REV. -   |
| PLOT DATE:       | -        | DRAWING NO.                         | 07S541-01  |
| FILE NAME:       | S4101C3_ | SCALE:                              | NONE   |
|                  |          | SHEET:                              | 1_OF_3   |



TO POWER AMP

SEE SHT 1 FOR REV HISTORY

|             |        |               |  |
|-------------|--------|---------------|--|
| SIGNATURES: | DATE:  |               | 11880 BORMAN DR.<br>ST. LOUIS, MISSOURI<br>63146 |
| DRAWN: RLB  | 5-8-98 |               |  |
| CHK'D: GM   | 5-8-98 | PROJECT NAME: | B-4R   |
| APP'D: GM   | 5-8-98 | DRAWING NAME: | PREAMP_SCHEMATIC                                 |
| PLOT DATE:  | -      | DRAWING NO.   | 07S541-01  |
| FILE NAME:  | -      | SCALE:        | NONE   |
|             |        | SHEET:        | 2_OF_3   |



IC POWER CHART

| IC # | PIN 4 | PIN 11 | PIN 8 |
|------|-------|--------|-------|
| IC1  | +14U  | -14U   | -     |
| IC2  | +15U  | -15U   | -     |
| IC3  | +15U  | -15U   | -     |
| IC4  | +15U  | -15U   | -     |
| IC5  | +15U  | -15U   | -     |
| IC6  | +15U  | -15U   | -     |
| IC7  | +15U  | -15U   | -     |
| IC8  | -15U  | -      | +15U  |
| IC9  | -15U  | -      | +15U  |

TEST POINT CHART

CONDITIONS: INPUT 75mV-P (26mVRMS) @ 1KHZ  
 0PIN, MASTER, LINE OUT LEVEL @ 10; TONES @ 5;  
 ALL BUTTONS OUT

| T.P. | 1KHZ SIGNAL                       | D.C. (V) | - |
|------|-----------------------------------|----------|---|
| 1    | .110V-P-P                         | 0        |   |
| 2    | .25V-P                            | 0        |   |
| 3    | 12V-P                             | 0        |   |
| 4    | 7V-P                              | 0        |   |
| 5    | 5.5V-P                            | 0        |   |
| 6    | 1.8V-P                            | 0        |   |
| 7    | 1.8V-P                            | 0        |   |
| 8    | 1.8V-P                            | 0        |   |
| 9    | 2.5V-P                            | 0        |   |
| 10   | 2.7V-P                            | 0        |   |
| 11   | 3V-P                              | 0        |   |
| 12   | .75V-P                            | 0        |   |
| 13   | .75V-P                            | 0        |   |
| 14   | MUTE_OFF                          | -15      |   |
| 14   | MUTE_ON                           | 0.6      |   |
| 15   | TEXTURE_OUT                       | -15      |   |
| 15   | TEXTURE_IN                        | -0.2     |   |
| 16   | EQ_OUT                            | -12      |   |
| 16   | EQ_IN                             | 15       |   |
| 17   | +3dB FROM PREAMP OUT IN PASS BAND | 0        |   |

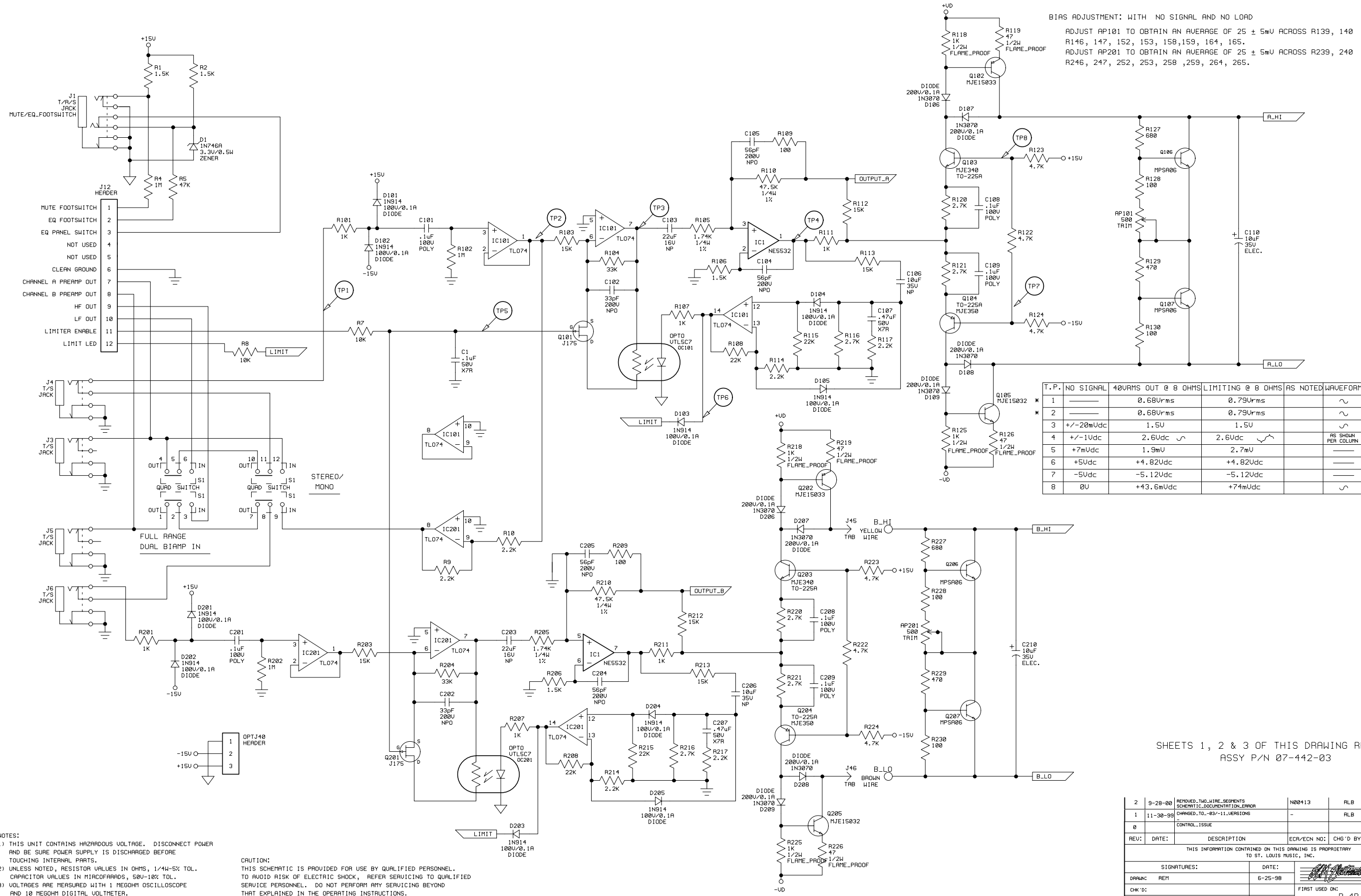
LAST USED DESIGNATOR  
 R155  
 C110  
 D28

NOTES:  
 1) CAUTION: SHOCK HAZARD!!  
 THIS UNIT CONTAINS HAZARDOUS VOLTAGE. DISCONNECT POWER AND BE SURE POWER SUPPLY IS DISCHARGED BEFORE TOUCHING INTERNAL PARTS.  
 2) UNLESS NOTED, RESISTOR VALUES IN OHMS, 1/4W-5% TOL. CAPACITOR VALUES IN MICROFARADS, 50V-10% TOL.  
 3) VOLTAGES ARE MEASURED WITH 1 MEGOHM OSCILLOSCOPE AND 10 MEGOHM DIGITAL VOLTMETER.

CAUTION:  
 THIS SCHEMATIC IS PROVIDED FOR USE BY QUALIFIED PERSONNEL. TO AVOID RISK OF ELECTRIC SHOCK, REFER SERVICING TO QUALIFIED SERVICE PERSONNEL. DO NOT PERFORM ANY SERVICING BEYOND THAT EXPLAINED IN THE OPERATING INSTRUCTIONS.

SEE SHT 1 FOR REV HISTORY

|                  |        |   |                  |
|------------------|--------|---|------------------|
| SIGNATURES:      | DATE:  | 11880 BORNMAN DR.<br>ST. LOUIS, MISSOURI<br>63146 |                  |
| DRAWN: RLB       | 5-8-98 | PROJECT NAME:                                     | B-4R             |
| CHK'D: GM        | 5-8-98 | DRAWING NAME:                                     | PREAMP_SCHEMATIC |
| APP'D: GM        | 5-8-98 | DRAWING NO.                                       | 07S541-01        |
| ORIGINAL ISSUED: | 5-8-98 | REV.  | -                |
| PLOT DATE:       | -      | SCALE:  | NONE             |
| FILE NAME:       | -      | SHEET:  | 3_OF_3           |



BIAS ADJUSTMENT: WITH NO SIGNAL AND NO LOAD  
 ADJUST AP101 TO OBTAIN AN AVERAGE OF 25 ± 5mV ACROSS R139, 140, 146, 147, 152, 153, 158, 159, 164, 165.  
 ADJUST AP201 TO OBTAIN AN AVERAGE OF 25 ± 5mV ACROSS R239, 240, 246, 247, 252, 253, 258, 259, 264, 265.

| T.P. | NO SIGNAL | 40VRMS OUT @ 8 OHMS | LIMITING @ 8 OHMS | AS NOTED            | WAVEFORM |
|------|-----------|---------------------|-------------------|---------------------|----------|
| 1    | —         | 0.68Vrms            | 0.79Vrms          | —                   | ~        |
| 2    | —         | 0.68Vrms            | 0.79Vrms          | —                   | ~        |
| 3    | +/-20mVdc | 1.5U                | 1.5U              | —                   | ~        |
| 4    | +/-1Vdc   | 2.6Vdc              | 2.6Vdc            | AS SHOWN PER COLUMN | ~        |
| 5    | +7mVdc    | 1.9mV               | 2.7mV             | —                   | ~        |
| 6    | +5Vdc     | +4.82Vdc            | +4.82Vdc          | —                   | ~        |
| 7    | -5Vdc     | -5.12Vdc            | -5.12Vdc          | —                   | ~        |
| 8    | 0V        | +43.6mVdc           | +74mVdc           | —                   | ~        |

NOTES:  
 1) THIS UNIT CONTAINS HAZARDOUS VOLTAGE. DISCONNECT POWER AND BE SURE POWER SUPPLY IS DISCHARGED BEFORE TOUCHING INTERNAL PARTS.  
 2) UNLESS NOTED, RESISTOR VALUES IN OHMS, 1/4%-5% TOL. CAPACITOR VALUES IN MICROFARADS, 50U-10% TOL.  
 3) VOLTAGES ARE MEASURED WITH 1 MEGOHM OSCILLOSCOPE AND 10 MEGOHM DIGITAL VOLTMETER.

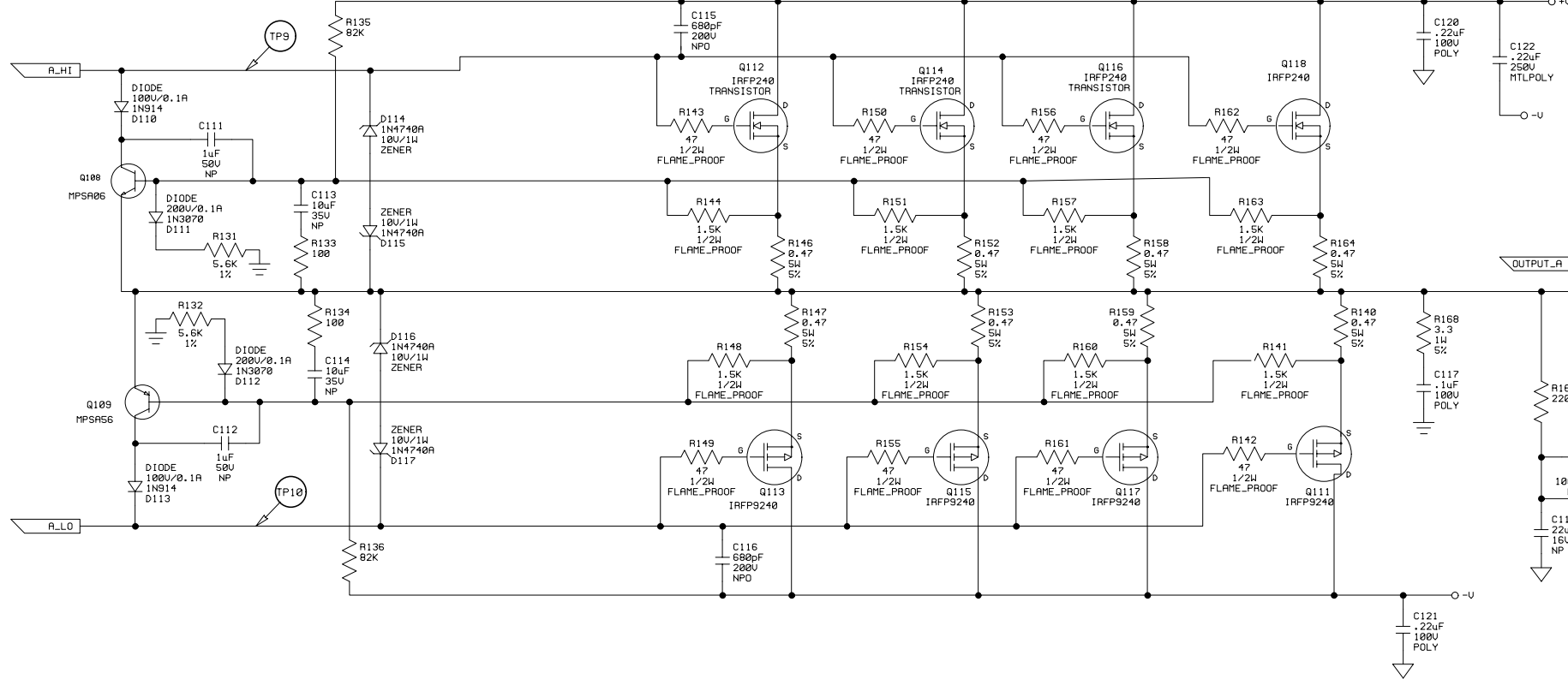
CAUTION:  
 THIS SCHEMATIC IS PROVIDED FOR USE BY QUALIFIED PERSONNEL. TO AVOID RISK OF ELECTRIC SHOCK, REFER SERVICING TO QUALIFIED SERVICE PERSONNEL. DO NOT PERFORM ANY SERVICING BEYOND THAT EXPLAINED IN THE OPERATING INSTRUCTIONS.

SHEETS 1, 2 & 3 OF THIS DRAWING REPRESENT ASSY P/N 07-442-03

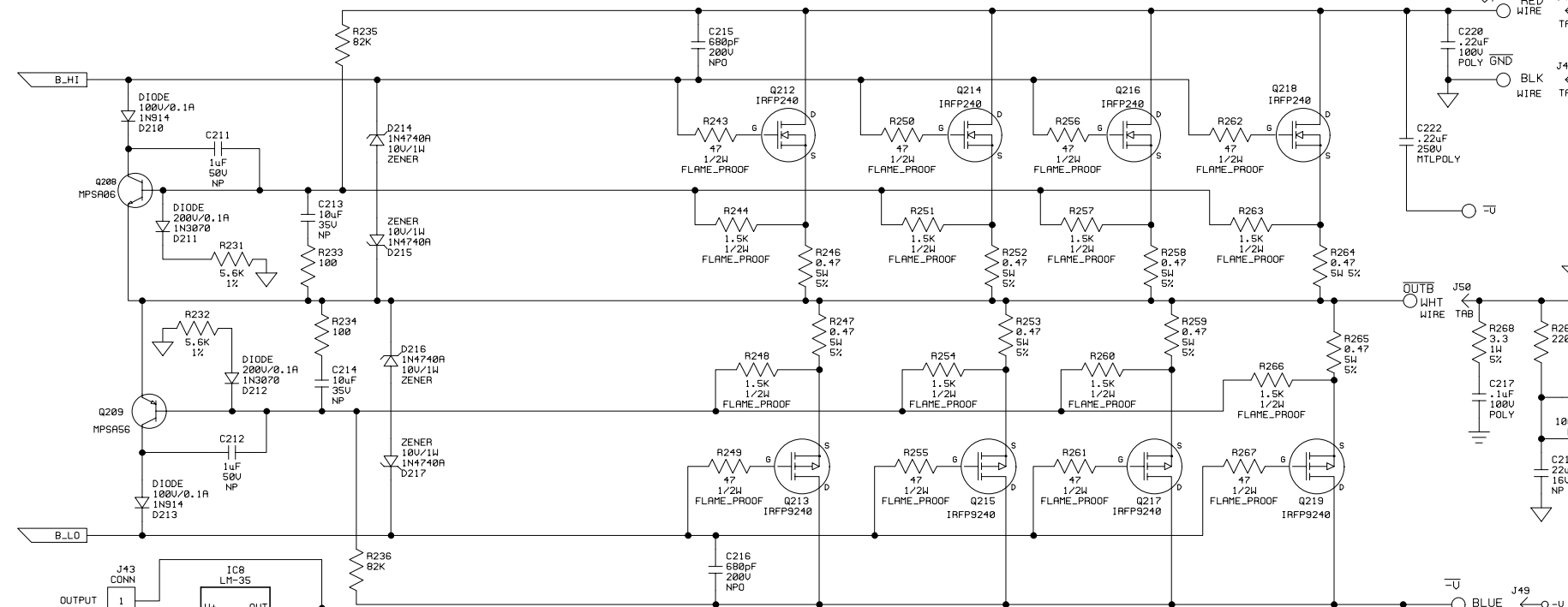
|  |          |   |                       |           |  |       |
|--|----------|---|-----------------------|-----------|--|-------|
| 2  | 9-28-00  | REMOVED TWO WIRE SEGMENTS SCHEMATIC DOCUMENTATION ERROR | N88+13                | RLB       |  |       |
| 1  | 11-30-99 | CHANGED TO -03-11 VERSIONS                              | -                     | RLB       |  |       |
| 0  |          | CONTROL ISSUE   |                       |           |  |       |
| REV:   | DATE:    | DESCRIPTION   | ECR/ECN NO:           | CHG'D BY: | APP'D BY:                                  | DATE: |
| THIS INFORMATION CONTAINED ON THIS DRAWING IS PROPRIETARY TO ST. LOUIS MUSIC, INC. |          |   |                       |           |  |       |
| SIGNATURES:  |          |   | DATE:                 |           | 11800 Borman Dr. St. Louis, Missouri 63146 |       |
| DRAWN: REM   |          |   | 6-25-98               |           | FIRST USED ON: B-4R_BASS_AMP               |       |
| CHK'D:   |          |   |                       |           | DRAWING TITLE: POWER_AMP                   |       |
| TOLERANCES:  |          |   | DRAWING SIZE: D       |           | DRAWING NO.: 07S442-XX                     |       |
|  |          |   | CLASS TYPE: SCHEMATIC |           |  |       |
|  |          |   | SCALE: NONE           |           | SHEET: SHT 1 OF 6                          |       |

| T.P. | NO SIGNAL | 40URMS OUT @ 8 OHMS | LIMITING @ 8 OHMS | AS NOTED WAVEFORM |
|------|-----------|---------------------|-------------------|-------------------|
| 9    | +3.6Vdc   | 40Urms              | 41Urms            | ~                 |
| 10   | -3.5Vdc   | 40Urms              | 41Urms            | ~                 |
| 11   | 7.2mVdc   | 40Urms              | 41Urms            | ~                 |
| 12   | -11.52Vdc | -11.8Udc            | -11.8Udc          | ~                 |

POWER AMP A



POWER AMP B



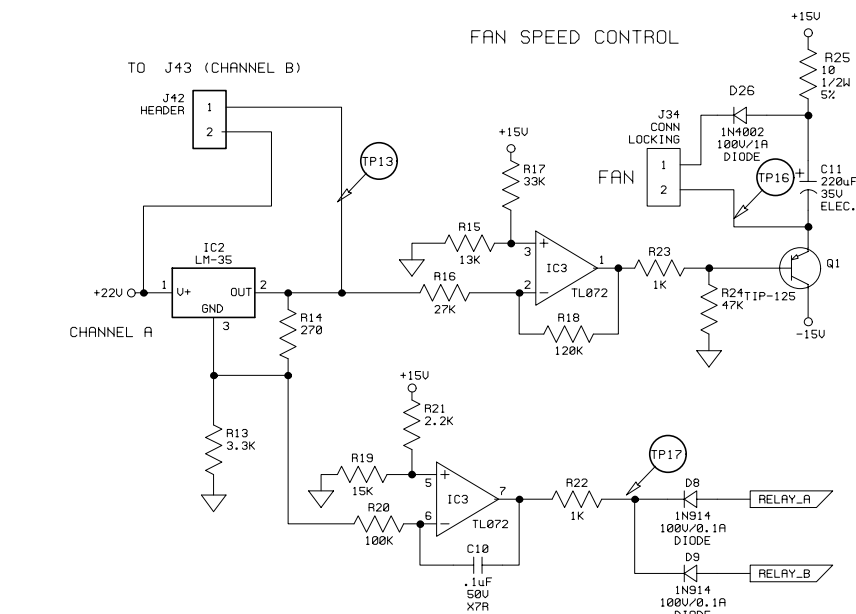
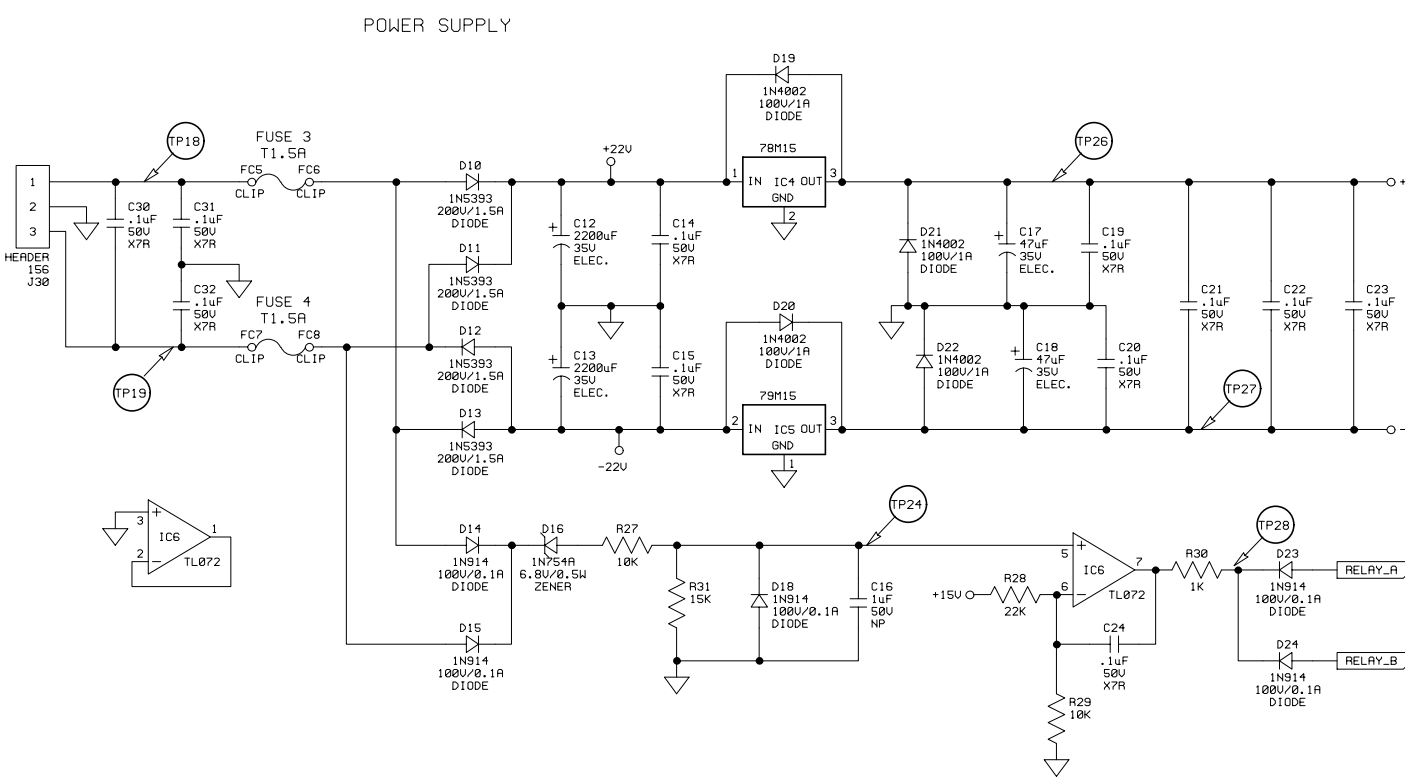
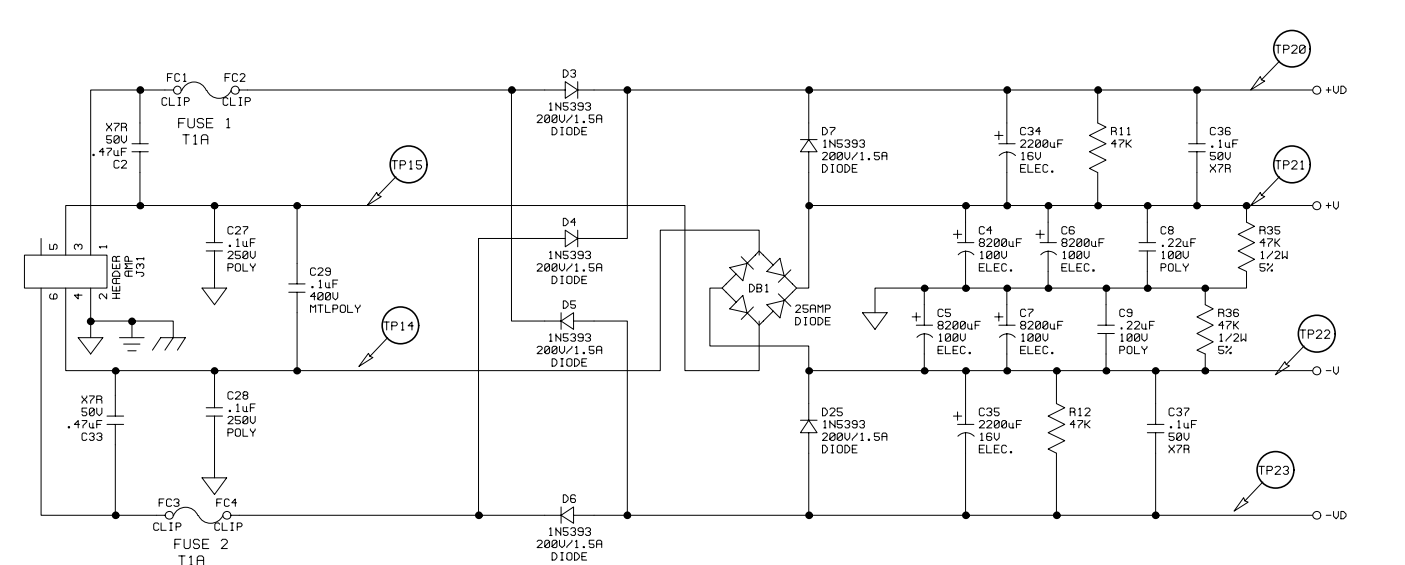
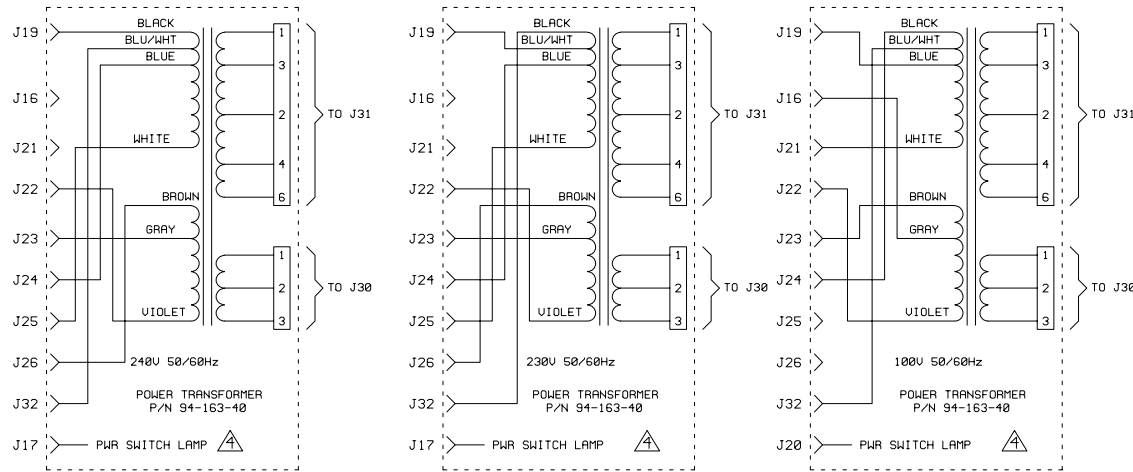
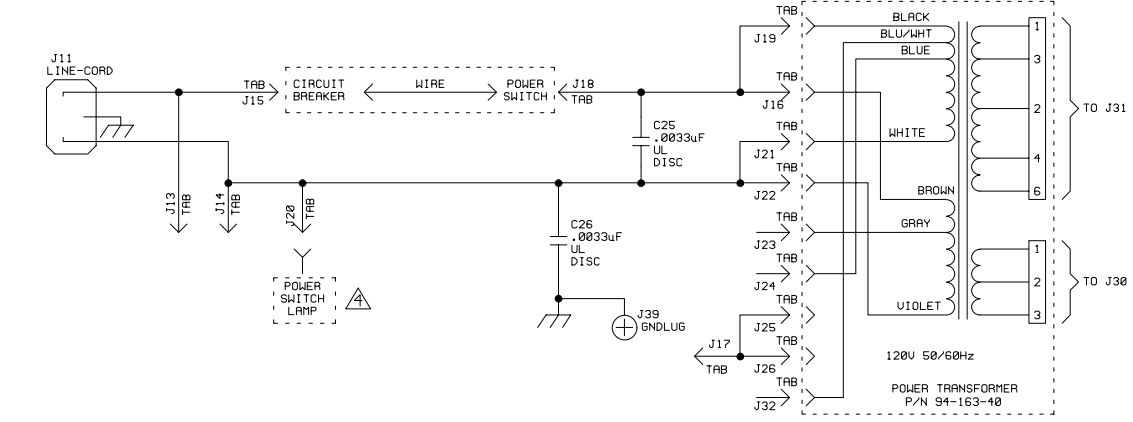
BIAS ADJUSTMENT: WITH NO SIGNAL AND NO LOAD  
 ADJUST AP101 TO OBTAIN AN AVERAGE OF 25 ± 5mV ACROSS R139, 140, R146, 147, 152, 153, 158, 159, 164, 165.  
 ADJUST AP201 TO OBTAIN AN AVERAGE OF 25 ± 5mV ACROSS R239, 240, R246, 247, 252, 253, 258, 259, 264, 265.

NOTES:  
 1) THIS UNIT CONTAINS HAZARDOUS VOLTAGE. DISCONNECT POWER AND BE SURE POWER SUPPLY IS DISCHARGED BEFORE TOUCHING INTERNAL PARTS.  
 2) UNLESS NOTED, RESISTOR VALUES IN OHMS, 1/4W-5% TOL. CAPACITOR VALUES IN MICROFARADS, 50V-10% TOL.  
 3) VOLTAGES ARE MEASURED WITH 1 MEGOHM OSCILLOSCOPE AND 10 MEGOHM DIGITAL VOLTMETER.

CAUTION:  
 THIS SCHEMATIC IS PROVIDED FOR USE BY QUALIFIED PERSONNEL. TO AVOID RISK OF ELECTRIC SHOCK, REFER SERVICING TO QUALIFIED SERVICE PERSONNEL. DO NOT PERFORM ANY SERVICING BEYOND THAT EXPLAINED IN THE OPERATING INSTRUCTIONS.

SHEETS 1, 2 & 3 OF THIS DRAWING REPRESENT ASSY P/N 07-442-03

| REV:   | DATE:           | DESCRIPTION               | ECR/ECN NO: | CHG'D BY:  | APP'D BY: | DATE: |
|--|-----------------|---------------------------|-------------|--|-----------|-------|
| 1  |                 | SEE_SHT_1_FOR_REV_HISTORY |             |  |           |       |
| THIS INFORMATION CONTAINED ON THIS DRAWING IS PROPRIETARY TO ST. LOUIS MUSIC, INC. |                 |                           |             |  |           |       |
| SIGNATURES:  |                 | DATE:                     |             | 11880 Borman Dr.<br>St. Louis, Missouri<br>63146 |           |       |
| DRAWN: REM   | 6-25-98         | FIRST USED ON:            |             | B-4R_BASS_AMP                                    |           |       |
| CHK'D:   |                 | DRAWING TITLE:            |             | POWER_AMP  |           |       |
| ALS'D:   |                 | DRAWING NO.:              |             | 07S442-XX  |           |       |
| TOLERANCES:  | DRAWING SIZE: D | SCALE: NONE               |             | SHEET: SHT 2 OF 6                                |           |       |



NOTES:  
 1) THIS UNIT CONTAINS HAZARDOUS VOLTAGE. DISCONNECT POWER AND BE SURE POWER SUPPLY IS DISCHARGED BEFORE TOUCHING INTERNAL PARTS.  
 2) UNLESS NOTED, RESISTOR VALUES IN OHMS, 1/4W-5% TOL. CAPACITOR VALUES IN MICROFARADS, 50V-10% TOL.  
 3) VOLTAGES ARE MEASURED WITH 1 MEGOHM OSCILLOSCOPE AND 10 MEGOHM DIGITAL VOLTMETER.  
 4) IF REQUIRED FOR CHASSIS ASSY.

CAUTION:  
 THIS SCHEMATIC IS PROVIDED FOR USE BY QUALIFIED PERSONNEL. TO AVOID RISK OF ELECTRIC SHOCK, REFER SERVICING TO QUALIFIED SERVICE PERSONNEL. DO NOT PERFORM ANY SERVICING BEYOND THAT EXPLAINED IN THE OPERATING INSTRUCTIONS.

| TP | NO SIGNAL     | 40VRMS OUT @ 8 OHMS | LIMITING @ 8 OHMS AS NOTED | WAVEFORM |
|----|---------------|---------------------|----------------------------|----------|
| 13 | VARIES W/TEMP | Varies w/temp.      | Varies w/temp.             | ---      |
| 14 | 61VAc         | 51VAc               | 51VAc                      | ~        |
| 15 | 61VAc         | 51VAc               | 51VAc                      | ~        |
| 16 | +14Vdc        | -4.6Vdc             | -4.6Vdc                    | ---      |
| 17 | +14.4Vdc      | +14.4Vdc            | +14.4Vdc                   | ---      |
| 18 | 20VAc         | 19VAc               | 19VAc                      | ~        |
| 19 | 20VAc         | 19VAc               | 19VAc                      | ~        |
| 20 | +71Vdc        | +64.5Vdc            | +64.5Vdc                   | ^^       |
| 21 | +63Vdc        | +59Vdc              | +59Vdc                     | ^^       |
| 22 | -63Vdc        | -59Vdc              | -59Vdc                     | ^^       |
| 23 | -71Vdc        | -64.5Vdc            | -64.5Vdc                   | ^^       |
| 24 | +6Vdc         | +5.73Vdc            | +5.73Vdc                   | ---      |
| 25 | NOT USED      |                     |                            | ---      |
| 26 | +15Vdc        | +15Vdc              | +15Vdc                     | ---      |
| 27 | -15Vdc        | -15Vdc              | -15Vdc                     | ---      |
| 28 | +14.3Vdc      | +14.3Vdc            | +14.3Vdc                   | ---      |

SHEETS 1, 2 & 3 OF THIS DRAWING REPRESENT ASSY P/N 07-442-03

| REV | DATE | DESCRIPTION               | ECR/ECN NO | CHG'D BY | APP'D BY | DATE |
|-----|------|---------------------------|------------|----------|----------|------|
| 1   |      | SEE_SHT.1_FOR_REV_HISTORY |            |          |          |      |

THIS INFORMATION CONTAINED ON THIS DRAWING IS PROPRIETARY TO ST. LOUIS MUSIC, INC.

SIGNATURES: \_\_\_\_\_ DATE: 6-25-98

DRAWN: REM

CHK'D: \_\_\_\_\_

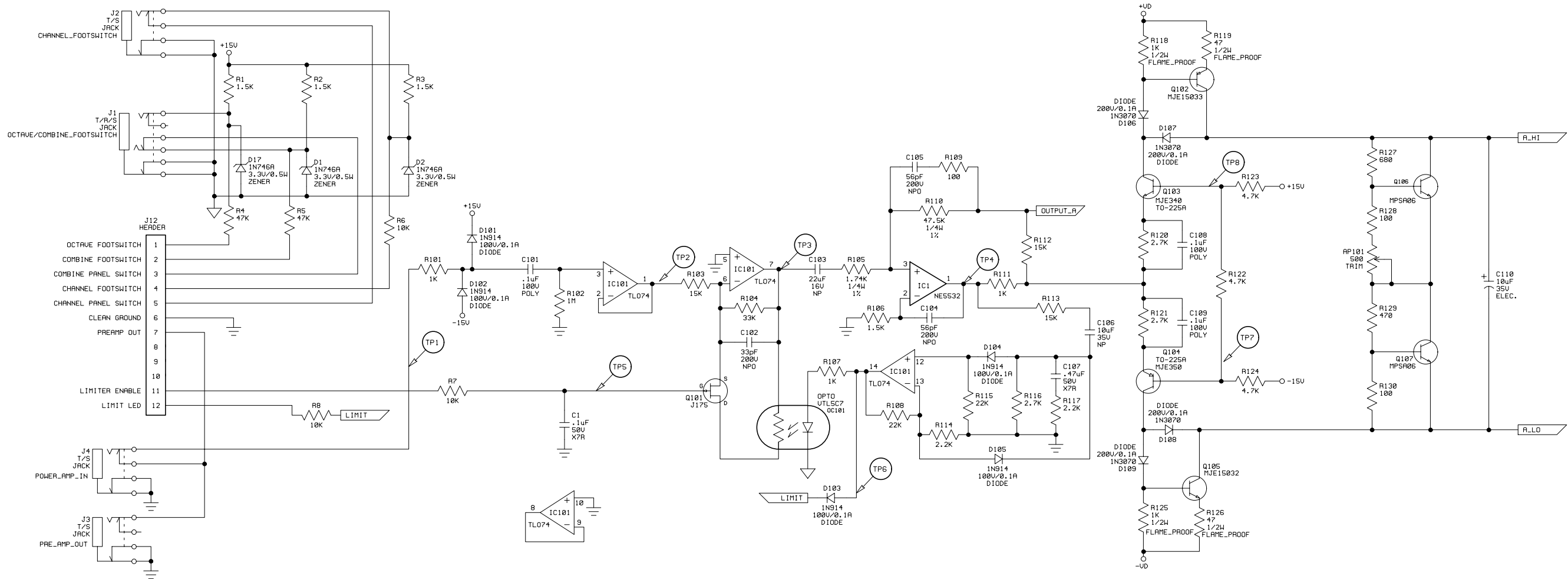
FLS'D: \_\_\_\_\_

TOLEANCES: DRAWING SIZE: D DRAWING TITLE: POWER\_LAMP

DRAWING TYPE: - SCHEMATIC

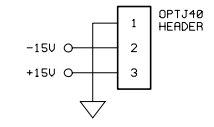
CLASS CODE: \_\_\_\_\_

SCALE: NONE SHEET: SHT 3 OF 6 DRAWING NO.: 07S442-XX



BIAS ADJUSTMENT: WITH NO SIGNAL AND NO LOAD  
 ADJUST AP101 TO OBTAIN AN AVERAGE OF 25 ± 5mV ACROSS R139, 140  
 R146, 147, 152, 153, 158, 159, 164, 165.

| T.P. | NO SIGNAL | 40Vrms OUT @ 8 OHMS | LIMITING @ 8 OHMS AS NOTED | WAVEFORM            |
|------|-----------|---------------------|----------------------------|---------------------|
| * 1  | 0.68Vrms  | 0.79Vrms            |                            | ~                   |
| * 2  | 0.68Vrms  | 0.79Vrms            |                            | ~                   |
| 3    | +/-20mVdc | 1.5V                | 1.5V                       | ~                   |
| 4    | +/-1Vdc   | 2.6Vdc              | 2.6Vdc                     | AS SHOWN PER COLUMN |
| 5    | +7mVdc    | 1.9mV               | 2.7mV                      |                     |
| 6    | +5Vdc     | +4.82Vdc            | +4.82Vdc                   |                     |
| 7    | -5Vdc     | -5.12Vdc            | -5.12Vdc                   |                     |
| 8    | 0V        | +43.6mVdc           | +74mVdc                    | ~                   |

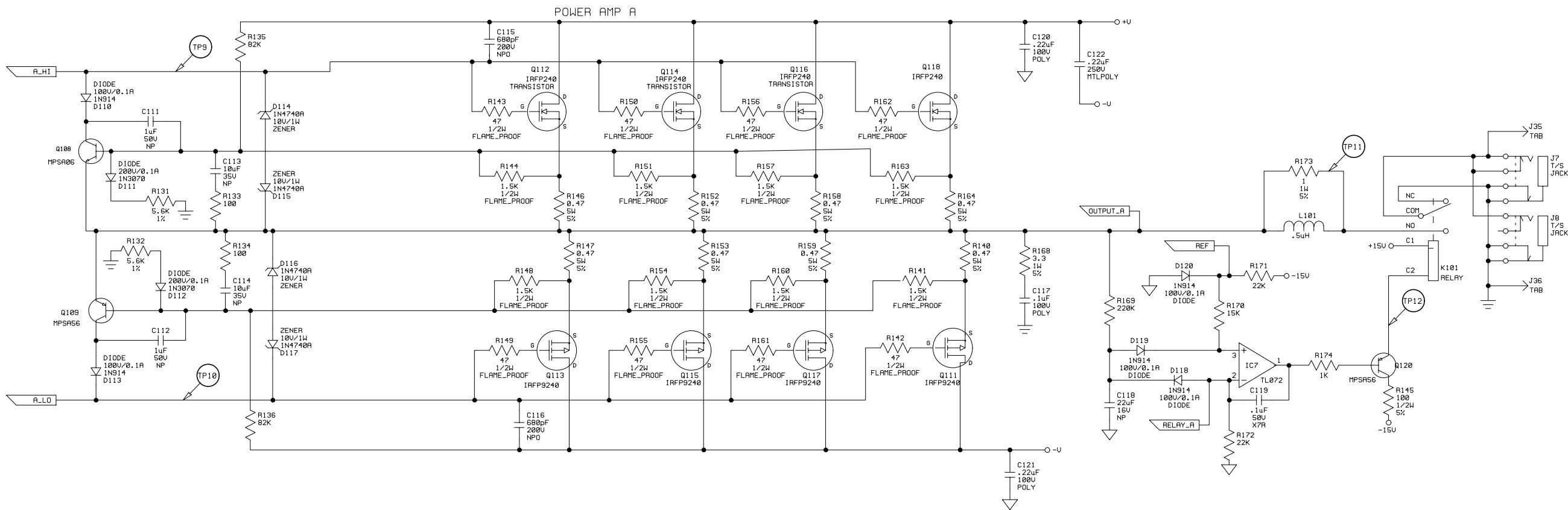


- NOTES:
- THIS UNIT CONTAINS HAZARDOUS VOLTAGE. DISCONNECT POWER AND BE SURE POWER SUPPLY IS DISCHARGED BEFORE TOUCHING INTERNAL PARTS.
  - UNLESS NOTED, RESISTOR VALUES IN OHMS, 1/4W-5% TOL. CAPACITOR VALUES IN MICROFARADS, 50V-10% TOL.
  - VOLTAGES ARE MEASURED WITH 1 MEGOHM OSCILLOSCOPE AND 10 MEGOHM DIGITAL VOLTMETER.

CAUTION:  
 THIS SCHEMATIC IS PROVIDED FOR USE BY QUALIFIED PERSONNEL. TO AVOID RISK OF ELECTRIC SHOCK, REFER SERVICING TO QUALIFIED SERVICE PERSONNEL. DO NOT PERFORM ANY SERVICING BEYOND THAT EXPLAINED IN THE OPERATING INSTRUCTIONS.

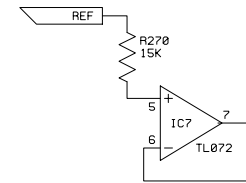
SHEETS 4, 5 & 6 OF THIS DRAWING REPRESENTS  
 ASSY P/N 07-442-11

|  |                             |                                 |   |           |           |
|--|-----------------------------|---------------------------------|---|-----------|-----------|
| 1  | SEE_SHT_1_FOR_REV_HISTORY   |                                 |   |           |           |
| REV:   | DATE:                       | DESCRIPTION                     | ECR/ECN NO:                                       | CHG'D BY: | APP'D BY: |
| THIS INFORMATION CONTAINED ON THIS DRAWING IS PROPRIETARY TO ST. LOUIS MUSIC, INC. |                             |                                 |   |           |           |
| SIGNATURES:  |                             | DATE:                           | 11888 Boreman Dr.<br>St. Louis, Missouri<br>63146 |           |           |
| DRAWN: REM   | 6-25-98                     | FIRST USED ON:<br>B-4R_BASS_AMP |   |           |           |
| CHK'D:   | DRAWING TITLE:<br>POWER_AMP |                                 |   |           |           |
| CLS'D:   | DRAWING NO.:                |                                 |   |           |           |
| DRAWING SIZE: D SCHEMATIC  |                             | SCALE: NONE                     |   |           |           |
| SHEET: SHT 4 OF 6  |                             | SHEET: SHT 4 OF 6               |   |           |           |



BIAS ADJUSTMENT: WITH NO SIGNAL AND NO LOAD  
 ADJUST AP101 TO OBTAIN AN AVERAGE OF  $25 \pm 5\text{mV}$  ACROSS R139, 140  
 R146, 147, 152, 153, 158, 159, 164, 165.

| T.P. | NO SIGNAL | 40URMS OUT @ 8 OHMS | LIMITING @ 8 OHMS AS NOTED | WAVEFORM |
|------|-----------|---------------------|----------------------------|----------|
| 9    | +3.6Vdc   | 40Urms              | 41Urms                     | ~        |
| 10   | -3.5Vdc   | 40Urms              | 41Urms                     | ~        |
| 11   | 7.2mVdc   | 40Urms              | 41Urms                     | ~        |
| 12   | -11.52Vdc | -11.8Vdc            | -11.8Vdc                   | —        |



NOTES:

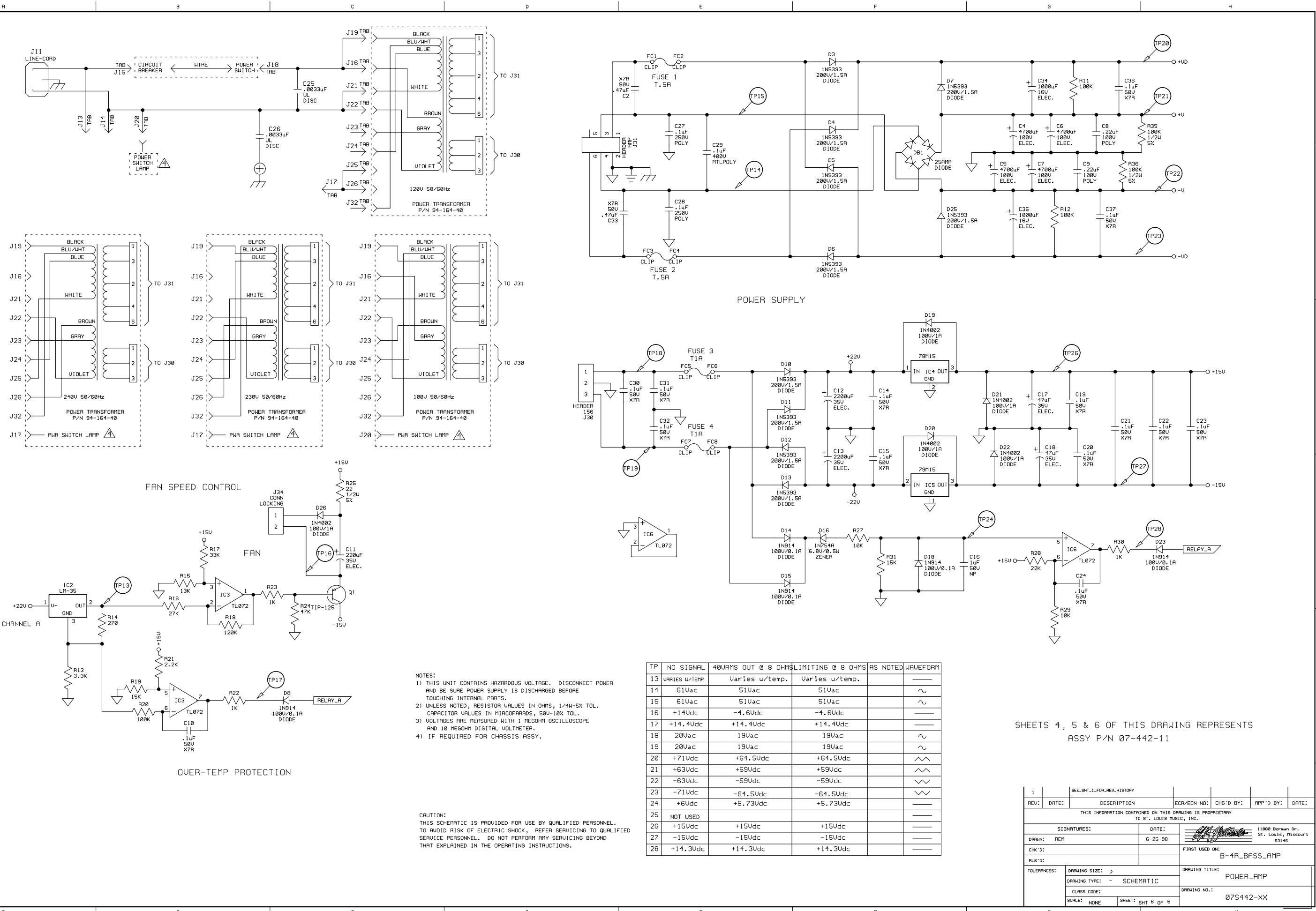
- 1) THIS UNIT CONTAINS HAZARDOUS VOLTAGE. DISCONNECT POWER AND BE SURE POWER SUPPLY IS DISCHARGED BEFORE TOUCHING INTERNAL PARTS.
- 2) UNLESS NOTED, RESISTOR VALUES IN OHMS, 1/4W-5% TOL. CAPACITOR VALUES IN MICROFARADS, 50V-10% TOL.
- 3) VOLTAGES ARE MEASURED WITH 1 MEGOHM OSCILLOSCOPE AND 10 MEGOHM DIGITAL VOLTMETER.

CAUTION:  
 THIS SCHEMATIC IS PROVIDED FOR USE BY QUALIFIED PERSONNEL.  
 TO AVOID RISK OF ELECTRIC SHOCK, REFER SERVICING TO QUALIFIED SERVICE PERSONNEL. DO NOT PERFORM ANY SERVICING BEYOND THAT EXPLAINED IN THE OPERATING INSTRUCTIONS.

SHEETS 4, 5 & 6 OF THIS DRAWING REPRESENTS  
 ASSY P/N 07-442-11

| REV:   | DATE: | DESCRIPTION:            | ECR/ECN NO.: | CHG'D BY:  | APP'D BY:                       | DATE: |
|--|-------|-------------------------|--------------|--|---------------------------------|-------|
| THIS INFORMATION CONTAINED ON THIS DRAWING IS PROPRIETARY TO ST. LOUIS MUSIC, INC. |       |                         |              |  |                                 |       |
| SIGNATURES:  |       | DATE:                   |              | 11800 Borman Dr.<br>St. Louis, Missouri<br>63146 |                                 |       |
| DRAWN: REM   |       |                         | 6-25-98      |  | FIRST USED ON:<br>B-4R_BASS_AMP |       |
| CHK'D:   |       |                         |              |  | DRAWING TITLE:<br>POWER_AMP     |       |
| RLS'D:   |       |                         |              |  | DRAWING NO.:                    |       |
| TOLERANCES:  |       | DRAWING SIZE: D         |              | DRAWING NO.:                                     |                                 |       |
|  |       | CLASS CODE: - SCHEMATIC |              | DRAWING NO.:                                     |                                 |       |
|  |       | SCALE: NONE             |              | SHEET: SHT 5 OF 6                                |                                 |       |
|  |       |                         |              | DRAWING NO.:                                     |                                 |       |
|  |       |                         |              | DRAWING NO.:                                     |                                 |       |





POWER SUPPLY

FAN SPEED CONTROL

OVER-TEMP PROTECTION

- NOTES:
- 1) THIS UNIT CONTAINS HAZARDOUS VOLTAGE. DISCONNECT POWER AND BE SURE POWER SUPPLY IS DISCHARGED BEFORE TOUCHING INTERNAL PARTS.
  - 2) UNLESS NOTED, RESISTOR VALUES IN OHMS, 1/4W-5% TOL. CAPACITOR VALUES IN MICROFARADS, 50V-10% TOL.
  - 3) VOLTAGES ARE MEASURED WITH 1 MEGOHM OSCILLOSCOPE AND 10 MEGOHM DIGITAL VOLTMETER.
  - 4) IF REQUIRED FOR CHASSIS ASSY.

CAUTION:  
THIS SCHEMATIC IS PROVIDED FOR USE BY QUALIFIED PERSONNEL.  
TO AVOID RISK OF ELECTRIC SHOCK, REFER SERVICING TO QUALIFIED  
SERVICE PERSONNEL. DO NOT PERFORM ANY SERVICING BEYOND  
THAT EXPLAINED IN THE OPERATING INSTRUCTIONS.

| TP | NO SIGNAL     | 40URMS OUT @ 8 OHMS | LIMITING @ 8 OHMS | AS NOTED | WAVEFORM |
|----|---------------|---------------------|-------------------|----------|----------|
| 13 | VARIES W/TEMP | Varies w/temp.      | Varies w/temp.    |          | —        |
| 14 | 61Vac         | 51Vac               | 51Vac             |          | ~        |
| 15 | 61Vac         | 51Vac               | 51Vac             |          | ~        |
| 16 | +14Vdc        | -4.6Vdc             | -4.6Vdc           |          | —        |
| 17 | +14.4Vdc      | +14.4Vdc            | +14.4Vdc          |          | —        |
| 18 | 20Vac         | 19Vac               | 19Vac             |          | ~        |
| 19 | 20Vac         | 19Vac               | 19Vac             |          | ~        |
| 20 | +71Vdc        | +64.5Vdc            | +64.5Vdc          |          | ~        |
| 21 | +63Vdc        | +59Vdc              | +59Vdc            |          | ~        |
| 22 | -63Vdc        | -59Vdc              | -59Vdc            |          | ~        |
| 23 | -71Vdc        | -64.5Vdc            | -64.5Vdc          |          | ~        |
| 24 | +6Vdc         | +5.73Vdc            | +5.73Vdc          |          | —        |
| 25 | NOT USED      |                     |                   |          |          |
| 26 | +15Vdc        | +15Vdc              | +15Vdc            |          | —        |
| 27 | -15Vdc        | -15Vdc              | -15Vdc            |          | —        |
| 28 | +14.3Vdc      | +14.3Vdc            | +14.3Vdc          |          | —        |

SHEETS 4, 5 & 6 OF THIS DRAWING REPRESENTS  
ASSY P/N 07-442-11

| REV.   | DATE:                     | DESCRIPTION       | ECR/ECN NO: | CHG'D BY:  | APP'D BY: | DATE: |
|--|---------------------------|-------------------|-------------|--|-----------|-------|
| THIS INFORMATION CONTAINED ON THIS DRAWING IS PROPRIETARY TO ST. LOUIS MUSIC, INC. |                           |                   |             |  |           |       |
| SIGNATURES:  |                           | DATE:             |             | 11888 Borman Dr.<br>St. Louis, Missouri 1<br>63146 |           |       |
| DRAWN: REM   | 6-25-98                   | FIRST USED ON:    |             | B-4R_BASS_AMP                                      |           |       |
| CHK'D:   |                           | DRAWING TITLE:    |             | POWER_AMP  |           |       |
| CLS'D:   |                           | DRAWING NO.:      |             | 07S442-XX  |           |       |
| TOLERANCES:  | DRAWING SIZE: D           | DRAWING TITLE:    |             | POWER_AMP  |           |       |
|  | DRAWING TYPE: - SCHEMATIC | DRAWING NO.:      |             | 07S442-XX  |           |       |
|  | CLASS CODE:               | DRAWING NO.:      |             | 07S442-XX  |           |       |
|  | SCALE: NONE               | SHEET: SHT 6 OF 6 |             |  |           |       |