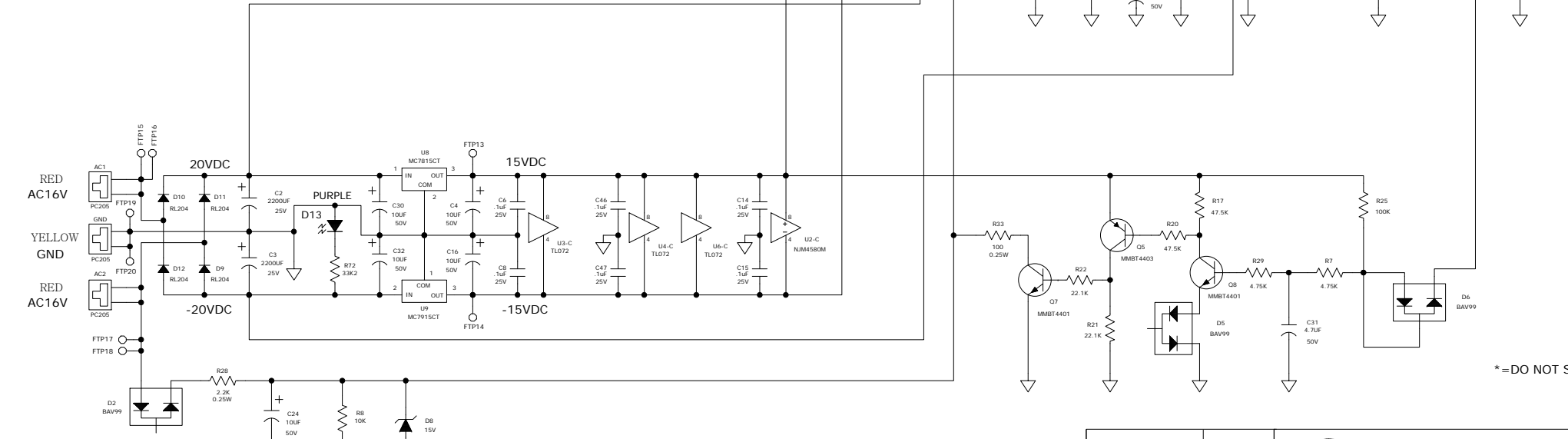
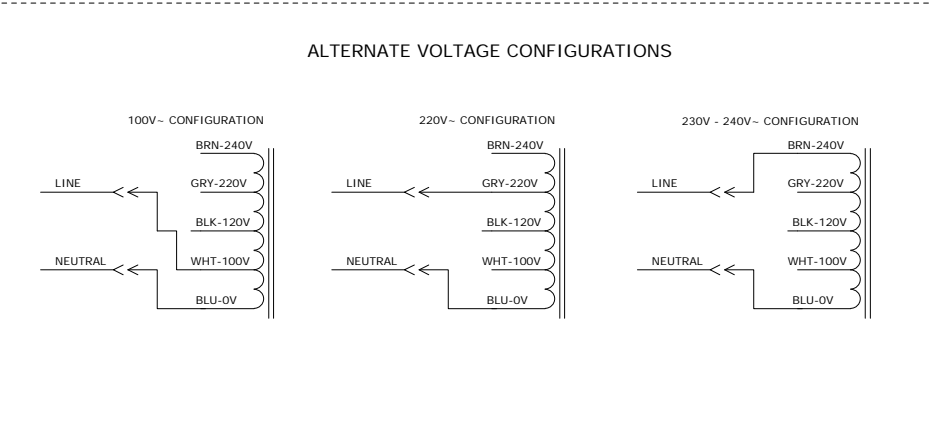
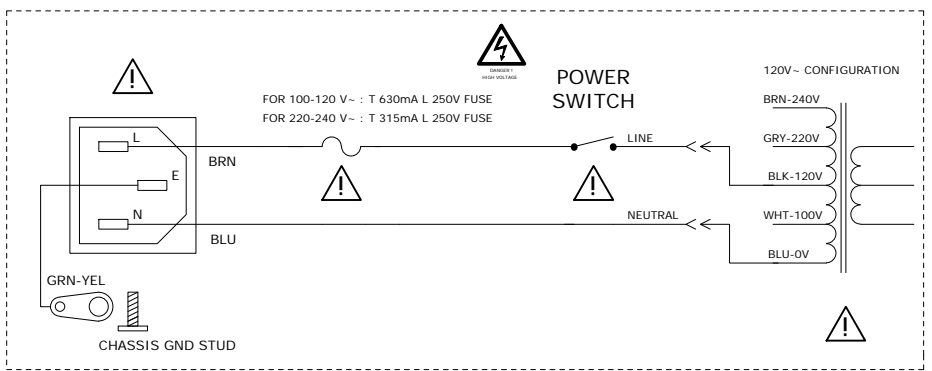
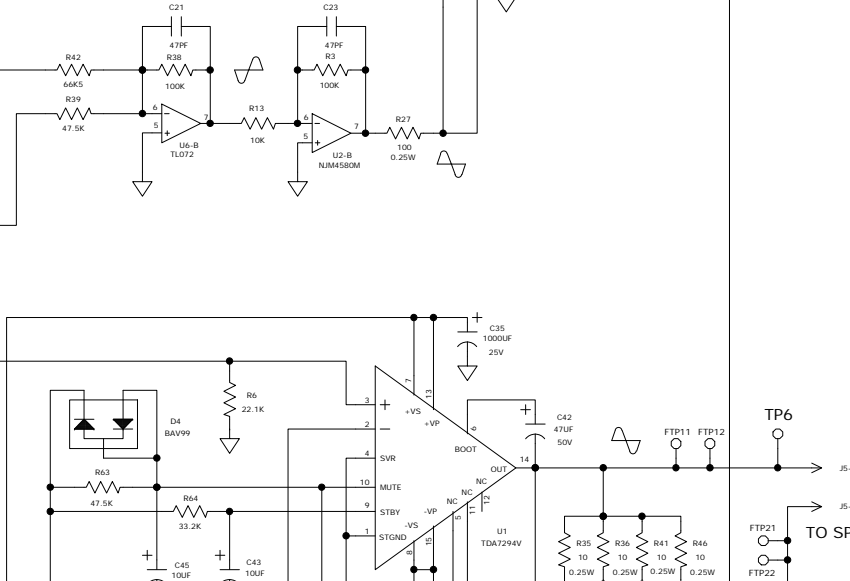
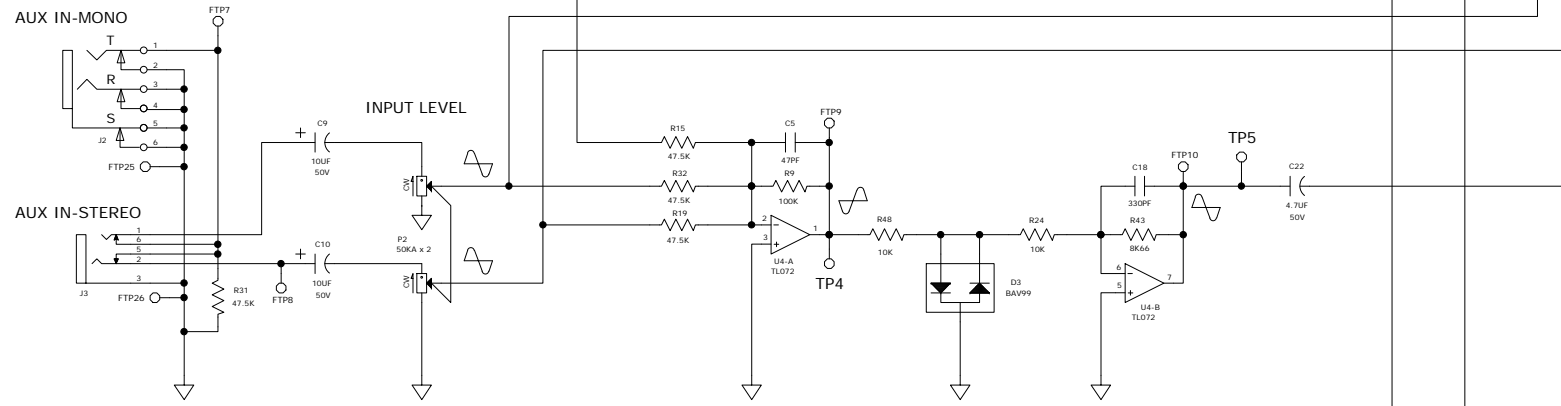


TAKING THESE MEASUREMENTS IS DANGEROUS!!!
 QUALIFIED TECHNICIANS ONLY

TEST POINT TABLE	
100mVrms 1kHz SINE WAVE ALL CONTROLS AT CENTER ALL PUSHBUTTONS OUT ALL MEASUREMENTS ARE VAC RMS REFERENCED TO GROUND	
TP1	0.30
TP2	0.19
TP3	2.80
TP4	0.40
TP5	0.16
TP6	5.50



- RTV1 2034504 SILICONE RTV NON-FLOWABLE PASTE
- SCH1 2043339-XX SCHEMATIC PCB ASSY, BA108v2 MAIN
- PCB1 2043340-01 PCB FAB BA108v2 MAIN

! COMPONENTS NOTED WITH THIS SYMBOL SHALL BE REPLACED ONLY BY THE COMPONENT SPECIFIED. THIS IS REQUIRED TO MAINTAIN PRODUCT SAFETY.

*=DO NOT STUFF

APPROVALS	DATE		BA-108v2 MAIN	
DRAWN:	May/8/2014			
CHECKED:		16220 WOOD-RED RD NE WOODINVILLE, WA 98072		
MP ENG:		BA-108v2 MAIN		
MATERIAL:		SIZE: D	SCALE: NONE	DWG. NO. 2043339-XX
MFG ENG:		DWG FILE:		REV. B03
ISSUED:				SHEET 1 OF 1