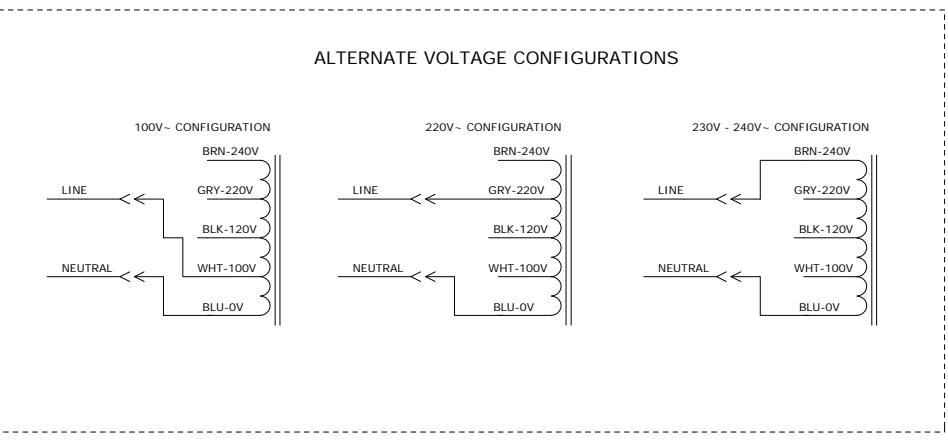
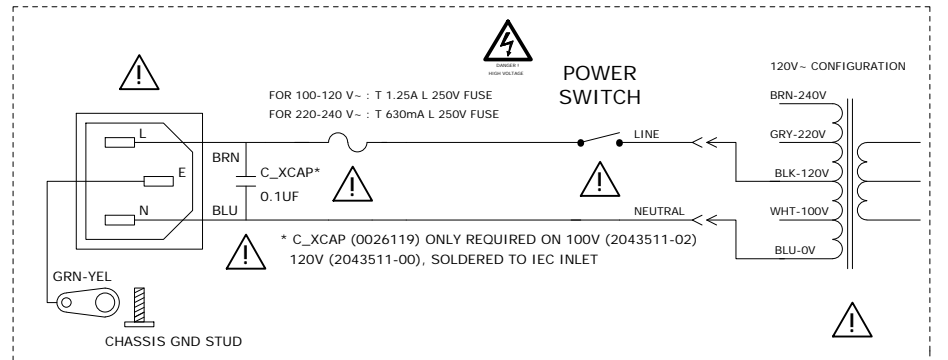
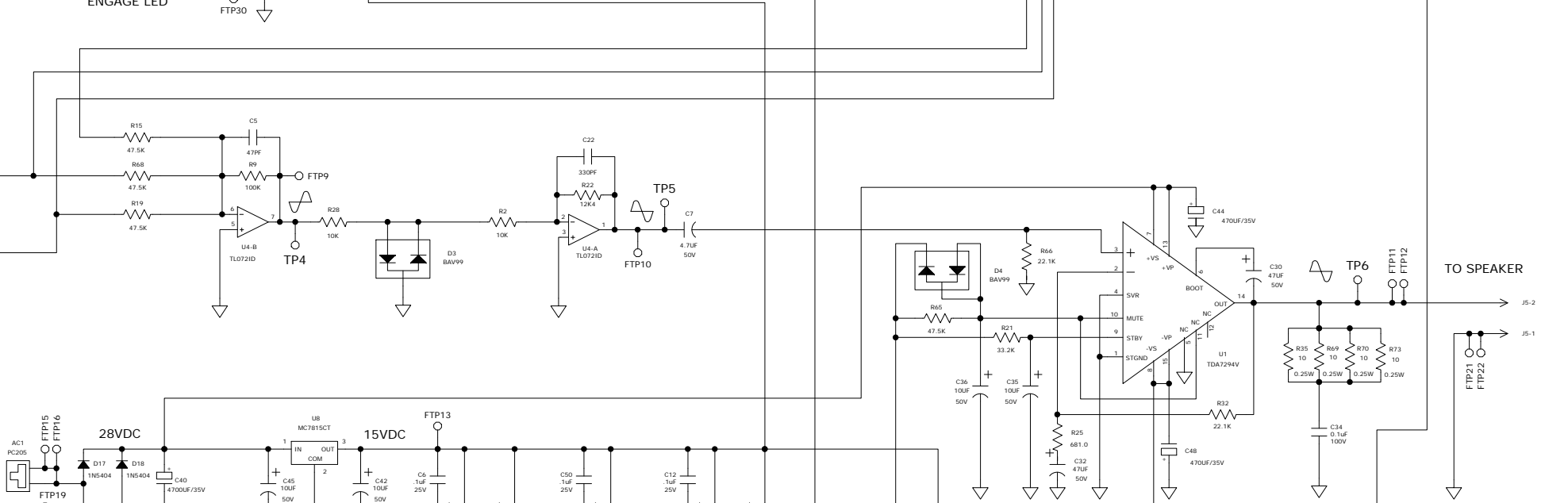
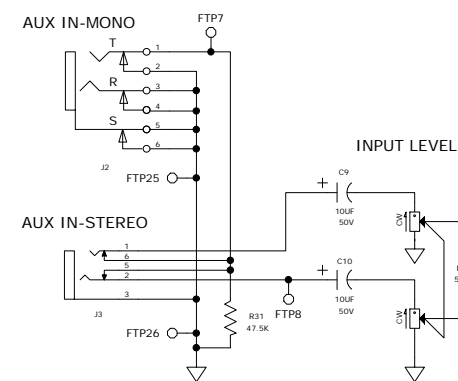


TAKING THESE MEASUREMENTS IS DANGEROUS!!!  
 QUALIFIED TECHNICIANS ONLY

TEST POINT TABLE	
100mVrms 1kHz SINE WAVE ALL CONTROLS AT CENTER ALL PUSHBUTTONS OUT	
ALL MEASUREMENTS ARE VAC RMS REFERENCED TO GROUND	
TP1	0.32
TP2	0.20
TP3	2.80
TP4	0.44
TP5	0.25
TP6	8.75



- RTV1  2034504 SILICONE RTV NON-FLOWABLE PASTE
- SCH1  2043341-XX SCHEMATIC PCB ASSY, BA110v2 MAIN
- PCB1  2043342-00 PCB FAB BA110v2 MAIN

COMPONENTS NOTED WITH THIS SYMBOL SHALL BE REPLACED ONLY BY THE COMPONENT SPECIFIED. THIS IS REQUIRED TO MAINTAIN PRODUCT SAFETY.

APPROVALS	DATE		<b>LOUD Technologies Inc.</b> 16220 WOOD-RED RD NE WOODINVILLE, WA 98072	
DRAWN	May/8/2014		<b>BA-110v2 MAIN</b>	
CHECKED:		SIZE	SCALE: NONE	DWG. NO. 2043341-XX
MP ENG:		DWG FILE:		SHEET 1 OF 1
MATERIAL:				
MFG ENG:				
ISSUED:				