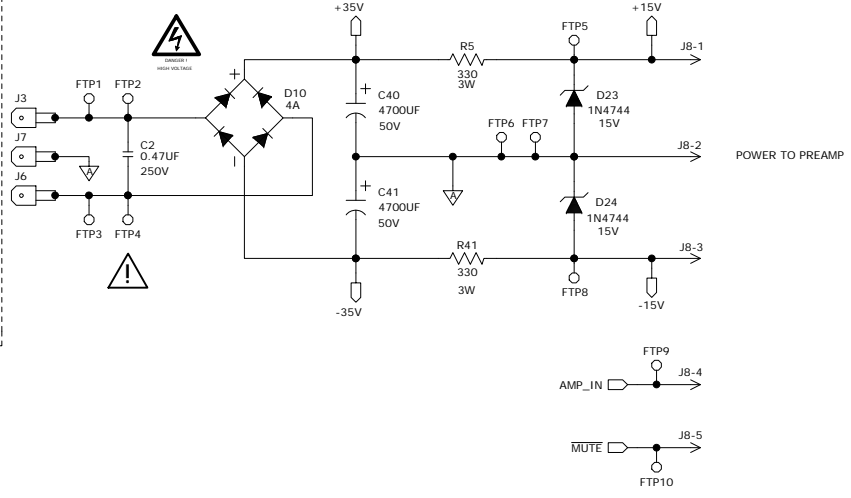


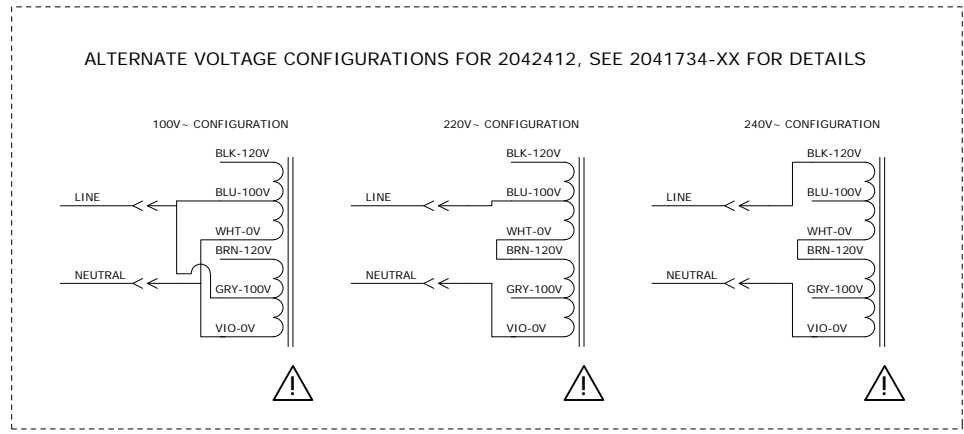
POWER SUPPLY



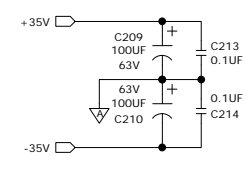
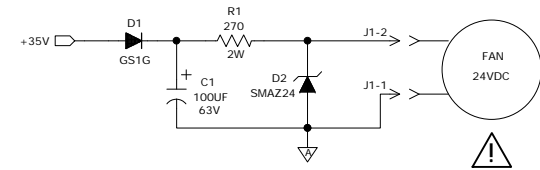
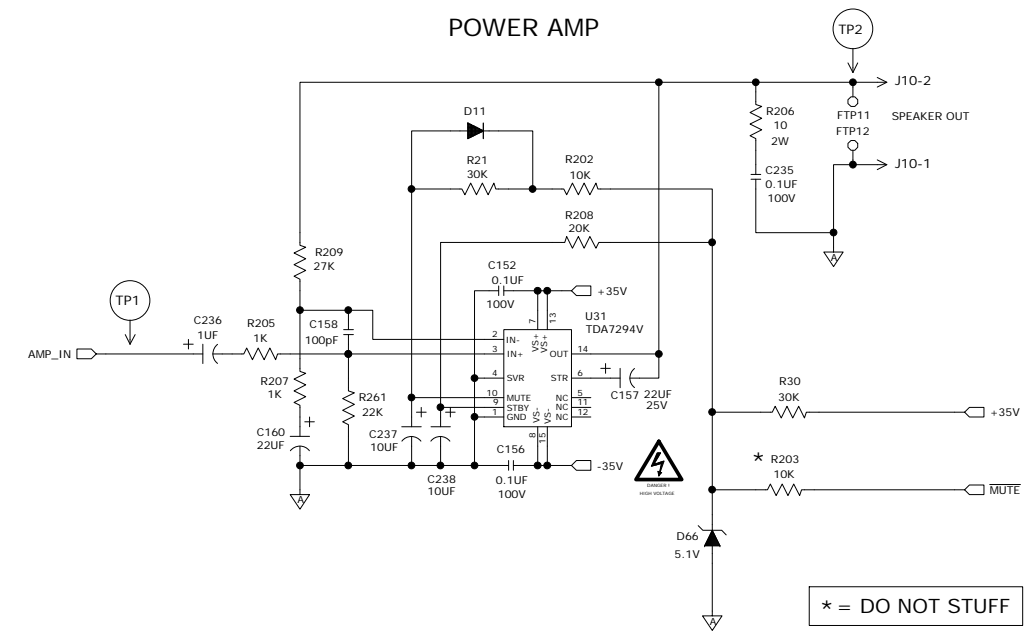
TAKING THESE MEASUREMENTS IS DANGEROUS!!!

QUALIFIED TECHNICIANS ONLY

TEST POINT TABLE	
100mVrms 1kHz SINE WAVE ALL CONTROLS AT CENTER ALL PUSHBUTTONS OUT ALL MEASUREMENTS ARE VAC RMS REFERENCED TO GROUND.	
TP1	0.5
TP2	12.6



POWER AMP



- MISC1  2034504 SILICONE RTV
- SCH1  2042787-XX SCHEMATIC PCB ASSY BA112 POWER
- PCB1  2042786-01 PCB FAB BA112 POWER

⚠ COMPONENTS NOTED WITH THIS SYMBOL SHALL BE REPLACED ONLY BY THE COMPONENT SPECIFIED. THIS IS REQUIRED TO MAINTAIN PRODUCT SAFETY.

© 2013 LOUD TECHNOLOGIES INC. ALL RIGHTS RESERVED  
THE INFORMATION CONTAINED HEREIN IS PROPRIETARY AND CONFIDENTIAL PROPERTY OF LOUD TECHNOLOGIES INC.

APPROVALS	DATE	<p>LOUD Technologies Inc. 16220 WOOD-RED RD NE WOODINVILLE, WA 98072</p>
DRAWN: db	7/1/2013	
CHECKED:		
NP ENG:		
MATERIAL:		
MFG:		<p><b>AMPEG BA112 POWER</b></p>
MFG ENG:		
ISSUED:		
DWG FILE: 2042787-XX-800.sch		<p>SIZE: D SCALE: NONE DWG. NO. 2042787-XX REV. B00</p>
SHEET 1 OF 1		