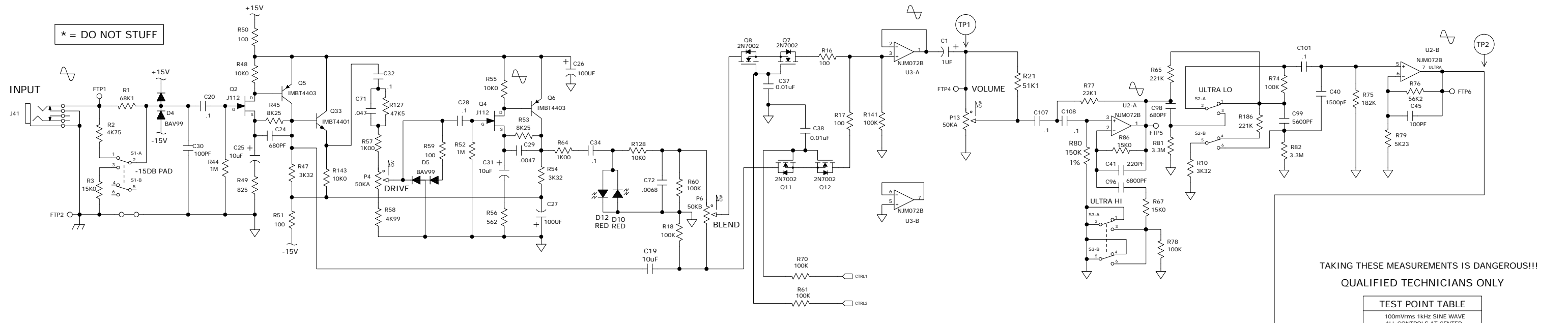
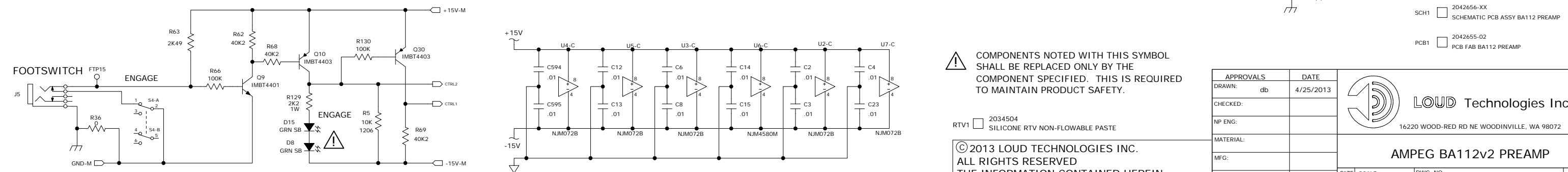
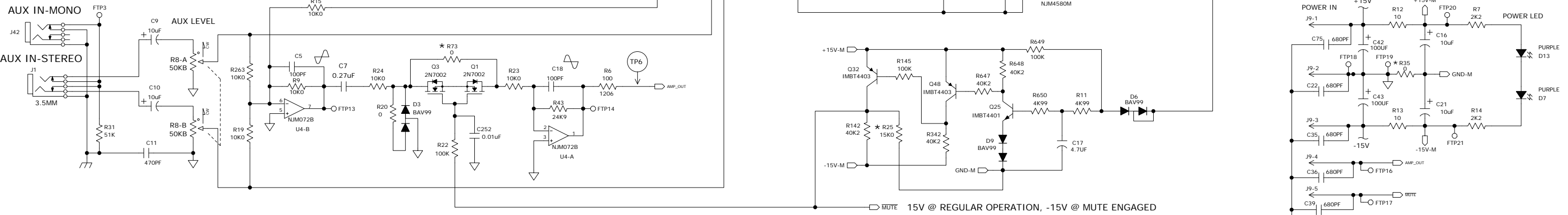
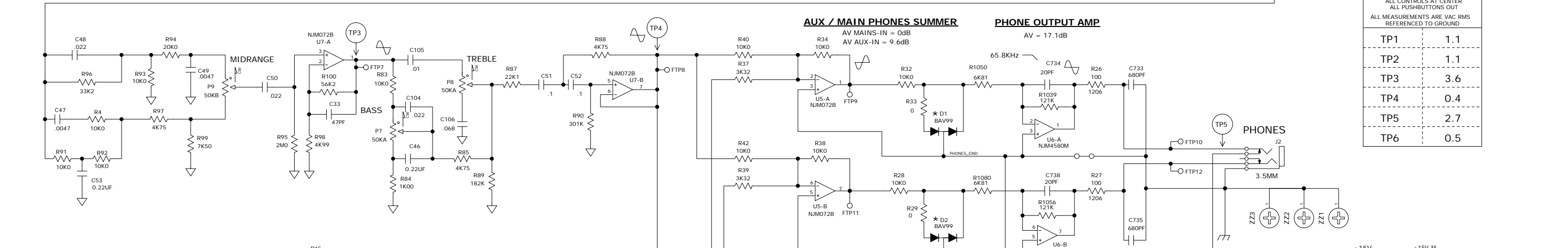


* = DO NOT STUFF



TAKING THESE MEASUREMENTS IS DANGEROUS!!!
 QUALIFIED TECHNICIANS ONLY

TEST POINT TABLE	
100mVrms 1kHz SINE WAVE ALL CONTROLS AT CENTER ALL PUSHBUTTONS OUT ALL MEASUREMENTS ARE VAC RMS REFERENCED TO GROUND	
TP1	1.1
TP2	1.1
TP3	3.6
TP4	0.4
TP5	2.7
TP6	0.5



⚠ COMPONENTS NOTED WITH THIS SYMBOL SHALL BE REPLACED ONLY BY THE COMPONENT SPECIFIED. THIS IS REQUIRED TO MAINTAIN PRODUCT SAFETY.

RTV1 2034504 SILICONE RTV NON-FLOWABLE PASTE

© 2013 LOUD TECHNOLOGIES INC. ALL RIGHTS RESERVED
 THE INFORMATION CONTAINED HEREIN IS PROPRIETARY AND CONFIDENTIAL PROPERTY OF LOUD TECHNOLOGIES INC.

APPROVALS	DATE
DRAWN: db	4/25/2013
CHECKED:	
NP ENG:	
MATERIAL:	
MFG:	
MFG ENG:	
ISSUED:	



AMPEG BA112v2 PREAMP			
SIZE	SCALE: NONE	DWG. NO. 2042656-XX	REV. C01
DWG FILE: 2042656-XX_C01.sch		SHEET 1 OF 1	