

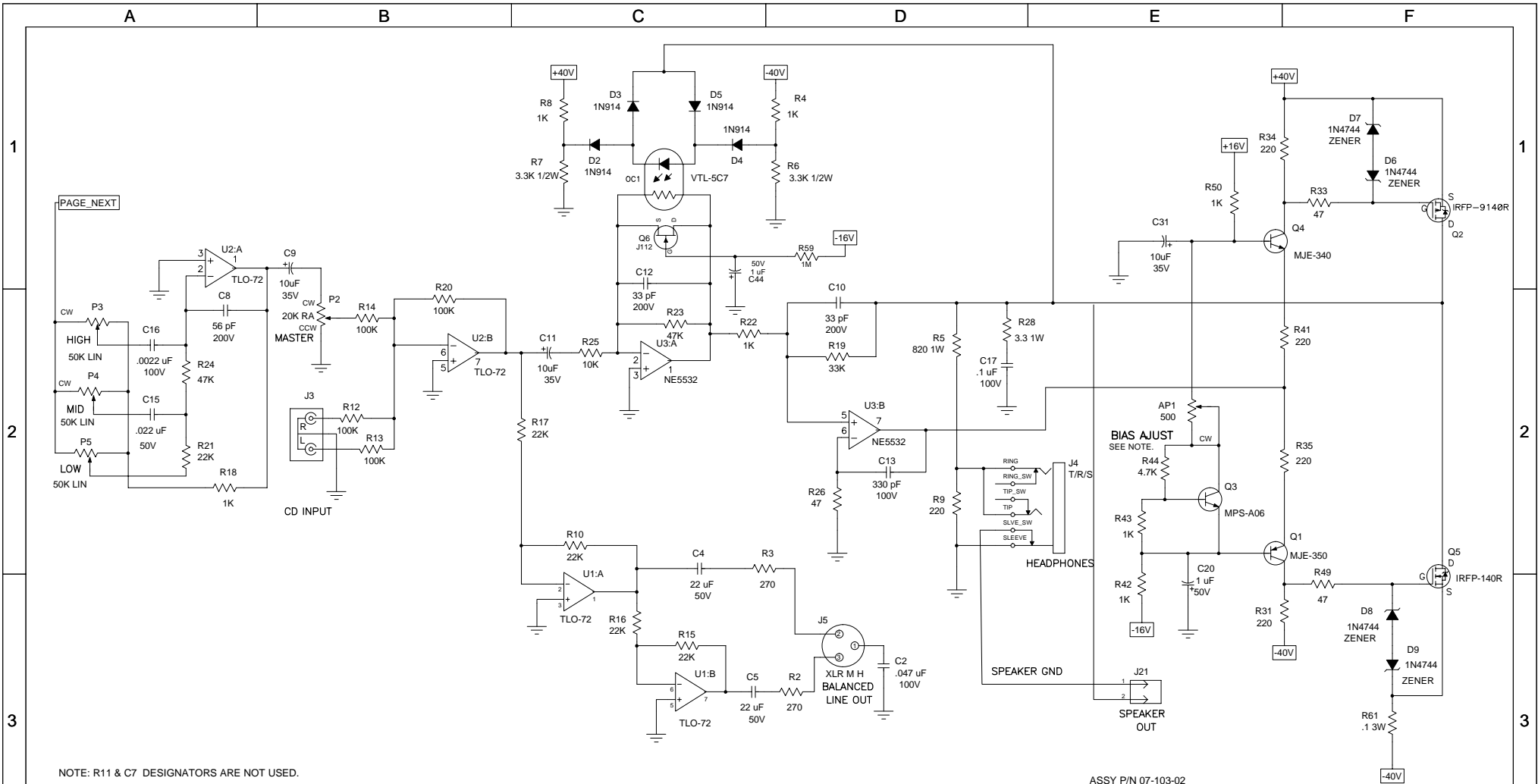
Power Table		
RefDes	-16V	+16V
IC1	4	8
IC2	4	8
U3	4	8
U4	4	8
U5	4	8

**CAUTION:**  
 THIS SCHEMATIC IS PROVIDED FOR USE BY QUALIFIED PERSONNEL.  
 TO AVOID RISK OF ELECTRIC SHOCK, REFER SERVICING TO QUALIFIED  
 SERVICE PERSONNEL. DO NOT PERFORM ANY SERVICING BEYOND THAT  
 EXPLAINED IN THE OPERATING INSTRUCTIONS.

- NOTES:**
- 1) CAUTION: SHOCK HAZARD!!  
 THIS UNIT CONTAINS HAZARDOUS VOLTAGE. DISCONNECT POWER  
 AND BE SURE POWER SUPPLY IS DISCHARGED BEFORE  
 TOUCHING INTERNAL PARTS.
  - 2) UNLESS NOTED, RESISTOR VALUES IN OHMS, 1/4W-5% TOL.  
 CAPACITOR VALUES IN MICROFARADS, 50V-10% TOL.
  - 3) VOLTAGES ARE MEASURED WITH 1 MEGOHM OSCILLOSCOPE  
 AND 10 MEGOHM DIGITAL VOLTMETER.

REV	Date	DESCRIPTION	Ecr(s)/Ecn(s)	Chgd By	Appvd by	Date
1	7/28/99	SWAPPED J21 PINS 1 & 2, COONNECTED J21 TO HEADPH GS TO DETACH FROM MAIN GND	N00062			
0	7/01/99	CONTROL ISSUE	R990512-01	REM		
0	7/01/99	CONTROL ISSUE	ECR00047	REM		

Signatures:		Date:	THE INFORMATION CONTAINED ON THIS DRAWING IS PROPRIETARY TO ST. LOUIS MUSIC, INC.	
Drawn:	OK	1/14/99	11880 Borman Drive, St. Louis, MO 63146	
Checked:	-	-	First Used On:	
Released:			BA115a	
Tolerance:	Drawing Size: C	Drawing Title: SCHEMATIC -BASS AMP		
	Drawing Type: Schematic	Drawing Number: 07S103-XX		
	Class Code: NONE	Sheet 1 of 2		



NOTE: R11 & C7 DESIGNATORS ARE NOT USED.

NOTE: BIAS SETTING AS FOLLOWS:  
 SET AP1 BIAS ADJUST CONTROL  
 FOR 5mV ACROSS R61 WITH  
 NO SIGNAL APPLIED, NO LOAD.

CAUTION:  
 THIS SCHEMATIC IS PROVIDED FOR USE BY QUALIFIED PERSONNEL.  
 TO AVOID RISK OF ELECTRIC SHOCK, REFER SERVICING TO QUALIFIED  
 SERVICE PERSONNEL. DO NOT PERFORM ANY SERVICING BEYOND  
 THAT EXPLAINED IN THE OPERATING INSTRUCTIONS.

- NOTES:
- 1) CAUTION: SHOCK HAZARD!!  
 THIS UNIT CONTAINS HAZARDOUS VOLTAGE. DISCONNECT POWER  
 AND BE SURE POWER SUPPLY IS DISCHARGED BEFORE  
 TOUCHING INTERNAL PARTS.
  - 2) UNLESS NOTED, RESISTOR VALUES IN OHMS, 1/4W-5% TOL.  
 CAPACITOR VALUES IN MICROFARADS, 50V-10% TOL.
  - 3) VOLTAGES ARE MEASURED WITH 1 MEGOHM OSCILLOSCOPE  
 AND 10 MEGOHM DIGITAL VOLTMETER.

ASSY P/N 07-103-02

1	7/28/99	SWAPPED J21 PINS 1 & 2, COONNECTED J21 TO HEADPH GS TO DETACH FROM MAIN GND	N00062	REM		
0	7/01/99	CONTROL ISSUE	R990512-01			
0	7/01/99	CONTROL ISSUE	ECR00047	REM	-	
REV	Date	DESCRIPTION	Ecr(s)/Ecn(s)	Chgd By	Appvd by	Date
THE INFORMATION CONTAINED ON THIS DRAWING IS PROPRIETARY TO ST. LOUIS MUSIC, INC						
Signatures:		Date:				
Drawn:	OK	1/14/99	11880 Borman Drive, St. Louis, MO 63146			
Checked:	-	-	First Used On:			
Released:			<b>BA115a</b>			
Tolerance:	Drawing Size:	C	Drawing Title:		SCHEMATIC -BASS AMP	
	Drawing Type:	Schematic	Class Code:		NONE	
	Sheet	2 of 2	Drawing Number:		07S103-XX	