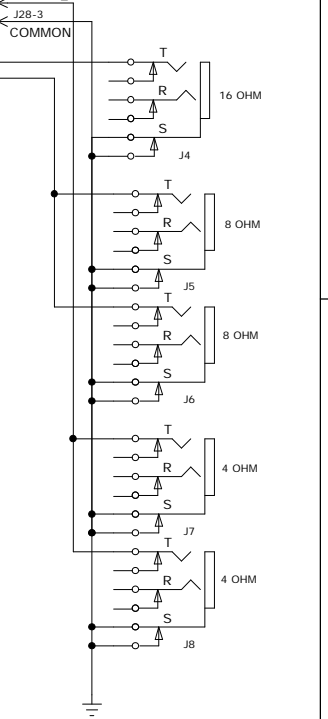
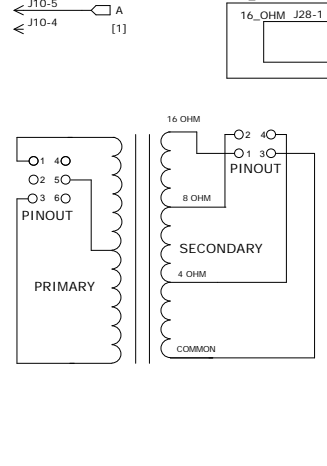
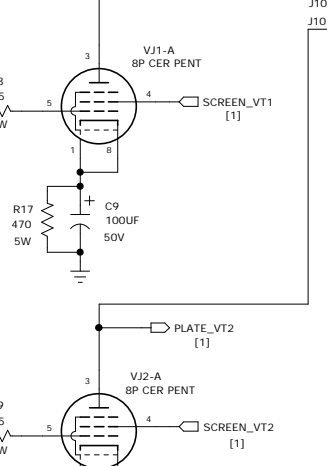
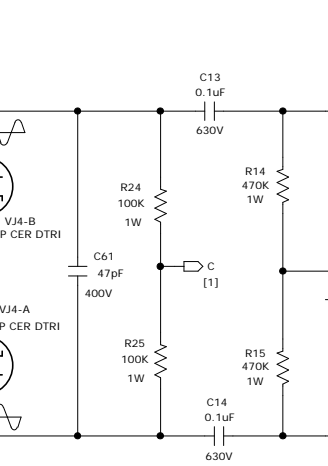
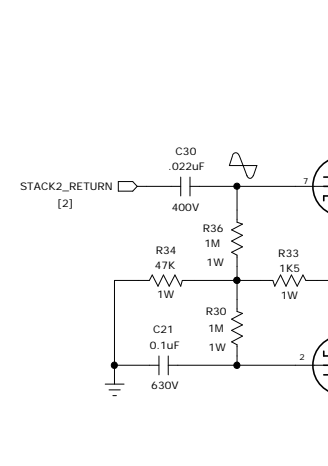
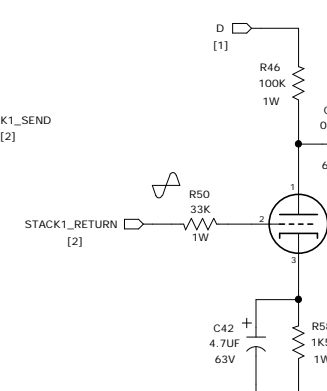
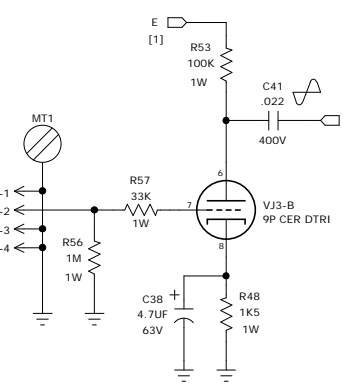
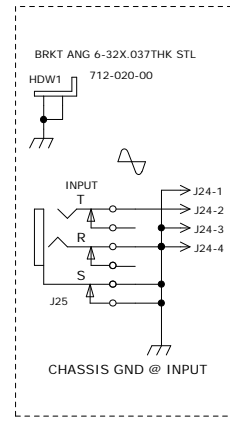


D

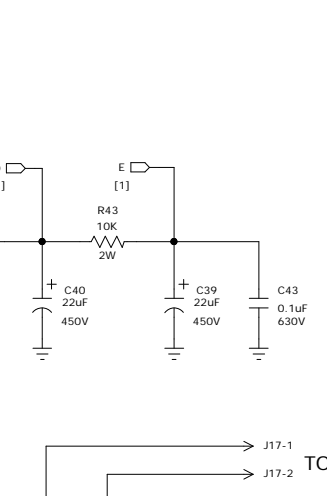
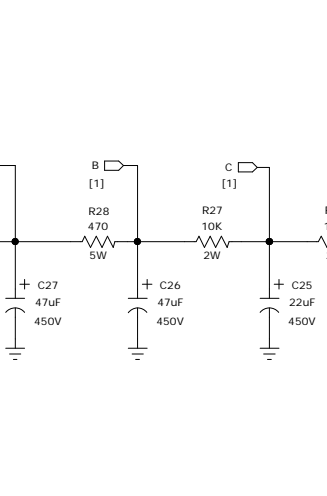
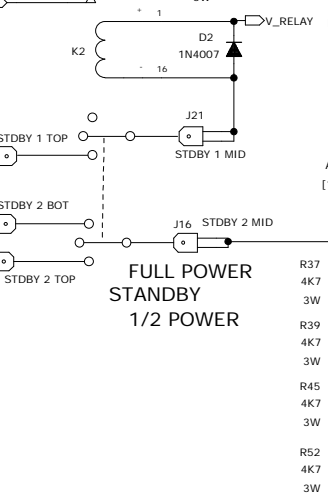
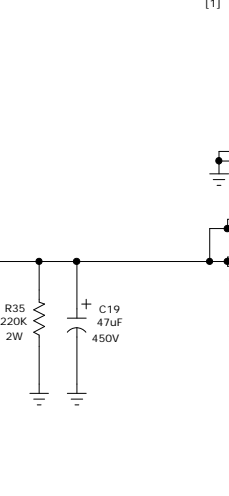
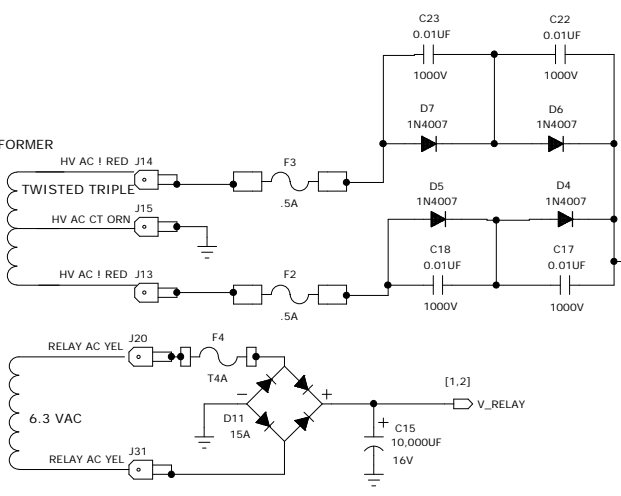
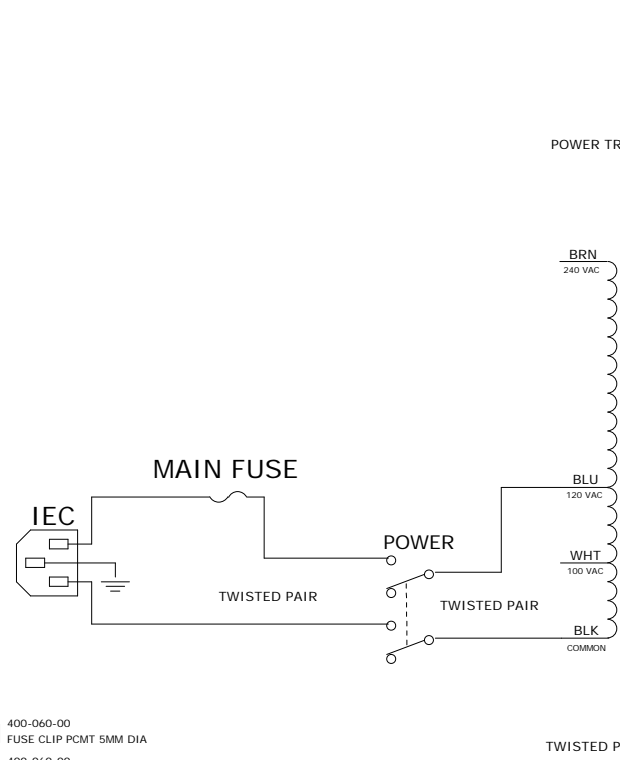


C

- RV1 712-021-01 RVT CL END .125X.062-.125
- RV2 712-021-01 RVT CL END .125X.062-.125

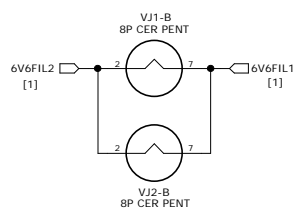
TUBE TYPE NOTES:
 PREAMP = ECC83 / 12AX7
 PHASE SPLITTER = ECC83 / 12AX7
 POWER = 6V6 (2)

B



A

- FC1 400-060-00 FUSE CLIP PCMT 5MM DIA
- FC2 400-060-00 FUSE CLIP PCMT 5MM DIA
- FC3 400-060-00 FUSE CLIP PCMT 5MM DIA
- FC4 400-060-00 FUSE CLIP PCMT 5MM DIA
- FC5 400-060-00 FUSE CLIP PCMT 5MM DIA
- FC6 400-060-00 FUSE CLIP PCMT 5MM DIA
- FC7 400-060-00 FUSE CLIP PCMT 5MM DIA
- FC8 400-060-00 FUSE CLIP PCMT 5MM DIA



- SCH1 2036322-XX SCHEMATIC PCB ASSY, AMPEG GVT15
- PCB1 2036324-00 PCB FAB, AMPEG GVT15

© 2010-2011 LOUD TECHNOLOGIES INC.
 ALL RIGHTS RESERVED
 THE INFORMATION CONTAINED HEREIN
 IS PROPRIETARY AND CONFIDENTIAL
 PROPERTY OF LOUD TECHNOLOGIES INC.

APPROVALS	DATE
DRAWN: TH and RMR	03 FEB 2011
CHECKED:	
NP ENG:	
MATERIAL:	
MFG:	
MFG ENG:	
ISSUED:	

LOUD Technologies Inc.
 16220 WOOD-RED RD NE WOODINVILLE, WA 98072

SCHEMATIC, AMPEG GVT15

SIZE: D	SCALE: NONE	DWG. NO. 2036322-XX	REV. 201
DWG FILE:			SHEET 1 OF 1

D

D

C

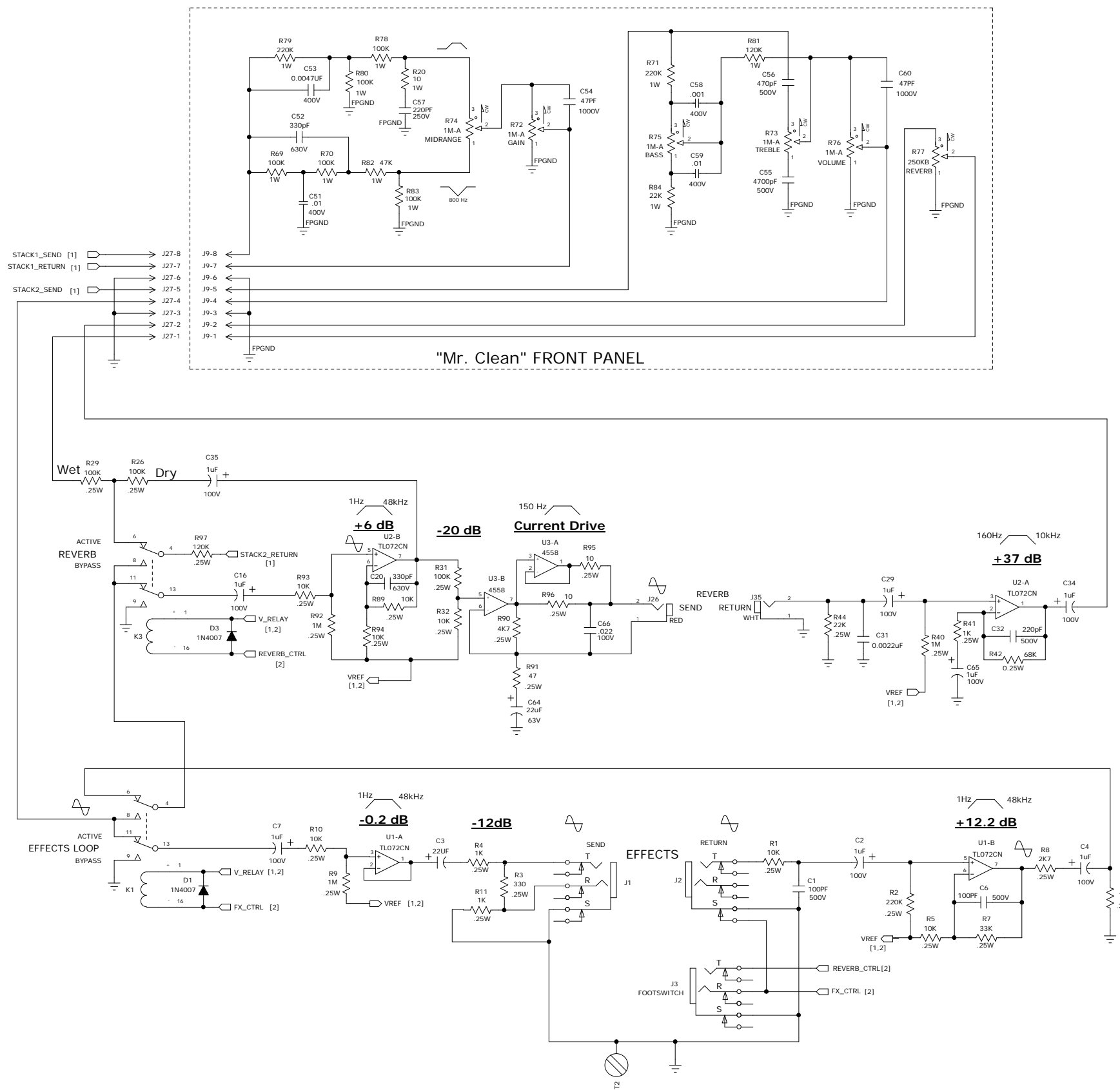
C

B

B

A

A



LOUD Technologies Inc.
 16220 WOOD-RED RD NE WOODINVILLE, WA 98072

SCHEMATIC, AMPEG GVT15

SIZE: D	SCALE: NONE	DWG. NO. 2036322-XX	REV. 201
DWG FILE:		SHEET 2 OF 2	