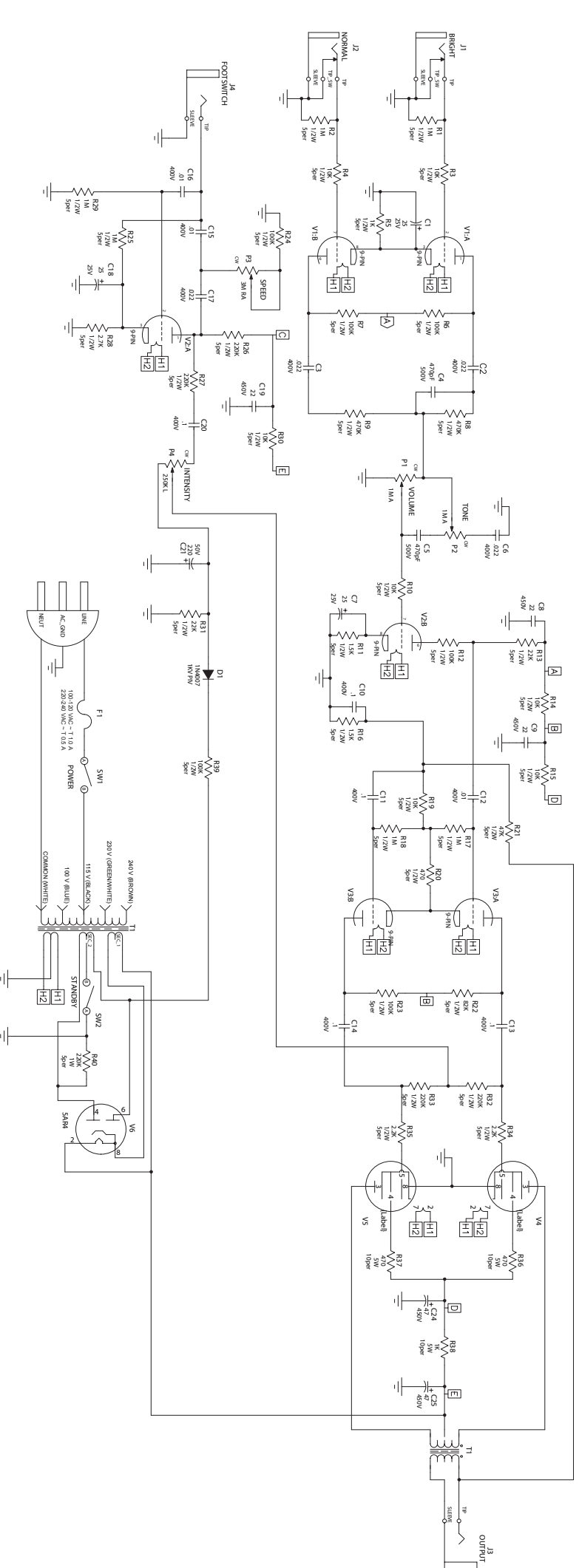


DWG. NO.	133SCH_1	SH	REV.	1
REVISIONS				
CHANGE #	REV	DESCRIPTION	DATE	REV BY



UNLESS OTHERWISE SPECIFIED, DIMENSIONS ARE IN MILLIMETERS TOLERANCES ARE: FRACTIONS DECIMALS ANGLES Zzp XX Zzp Zzp .XXX Zzp		APPROVALS	DATE
DRAWN		WFB	08-Moy-07
CHECKED			
ISSUED			
MATERIAL			
COLOR/FINISH			
DO NOT SCALE DRAWING			

SAINT LOUIS, MISSOURI U.S.A.		SIZE	ARTWORK NO.	DWG. NO.	REV.
LOUD Technologies Inc.		D		133SCH_1	
J20 Schematic		SCALE	1.000	SHEET	1 OF 1

THE INFORMATION CONTAINED HEREIN IS
PROPRIETARY AND CONFIDENTIAL PROPERTY OF
LOUD TECHNOLOGIES INC. ALL RIGHTS RESERVED