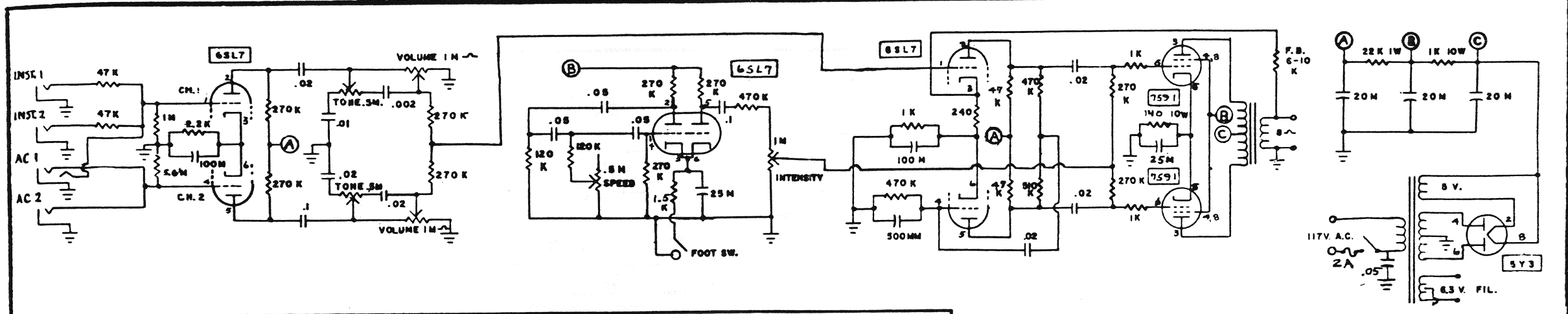


MODEL NO. M-15
SERIAL 964

Tube Location (from left to right)

V1	V2	V3	V4	V5	V6
6SL7	6SL7	6SL7	6L6	6L6	5U4



MODEL NO. M-12-A

Tube Location (from left to right)

V1	V2	V3	V4	V5	V6
6SL7	6SL7	6SL7	7591	7591	5Y3

