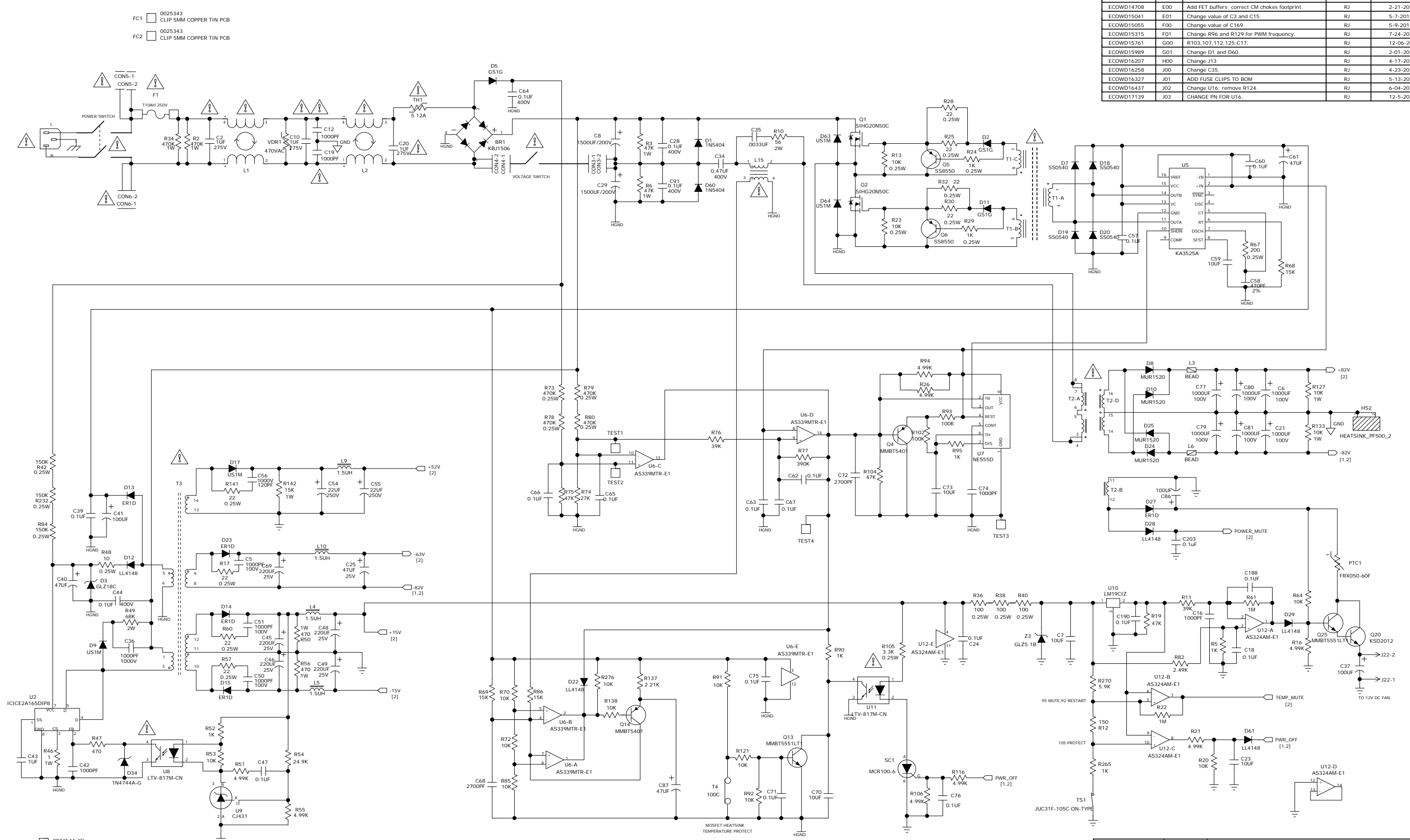
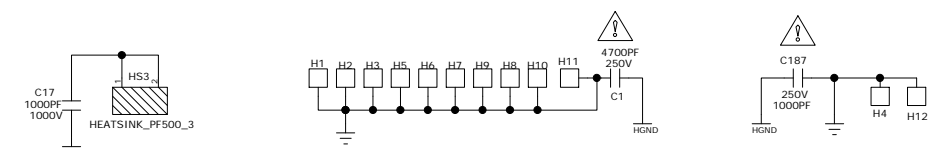


ECO/DSR	REV.	DESCRIPTION	REV. BY:	DATE
ECOWD12993	B00	Correct silkscreen, safety caps, add shrink	RJ	7-19-2010
ECOWD13132	B01	R96 WAS 4.32K, R129 WAS 10K	RJ	9-1-2010
ECOWD13206	C00	ADD D34	RJ	9-30-2010
ECOWD13580	C01	Change drawing of power switch to DPST.	RJ	1-13-2011
ECOWD13508	C02	Change Insulator	th	3-7-2011
ECOWD13994	C03	Q20 WAS 25C4793	th	6-20-11
ECOWD14299	D00	Add snubbers to Q10 and Q11	RJ	10-25-2011
ECOWD14708	E00	Add FET buffers; correct CM chokes footprint.	RJ	2-21-2012
ECOWD15041	E01	Change value of C3 and C15.	RJ	5-7-2012
ECOWD15055	F00	Change value of C169.	RJ	5-9-2012
ECOWD15315	F01	Change R96 and R129 for PWM frequency.	RJ	7-24-2012
ECOWD15761	G00	R103, 107, 112, 125, C17.	RJ	12-06-2012
ECOWD15989	G01	Change D1 and D60.	RJ	2-01-2013
ECOWD16207	H00	Change J13	RJ	4-17-2013
ECOWD16258	J00	Change C35.	RJ	5-13-2013
ECOWD16327	J01	ADD FUSE CLIPS TO BOM	RJ	5-13-2013
ECOWD16437	J02	Change U16; remove R124.	RJ	6-04-2013
ECOWD17139	J03	CHANGE PN FOR U16.	RJ	12-5-2013

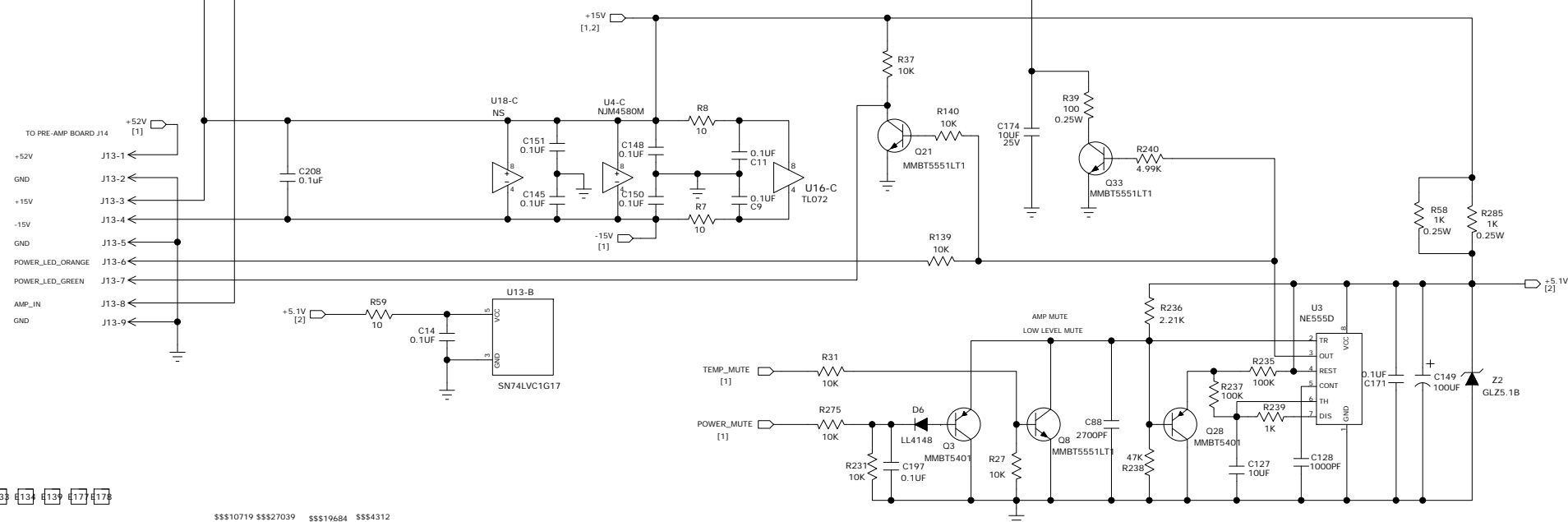
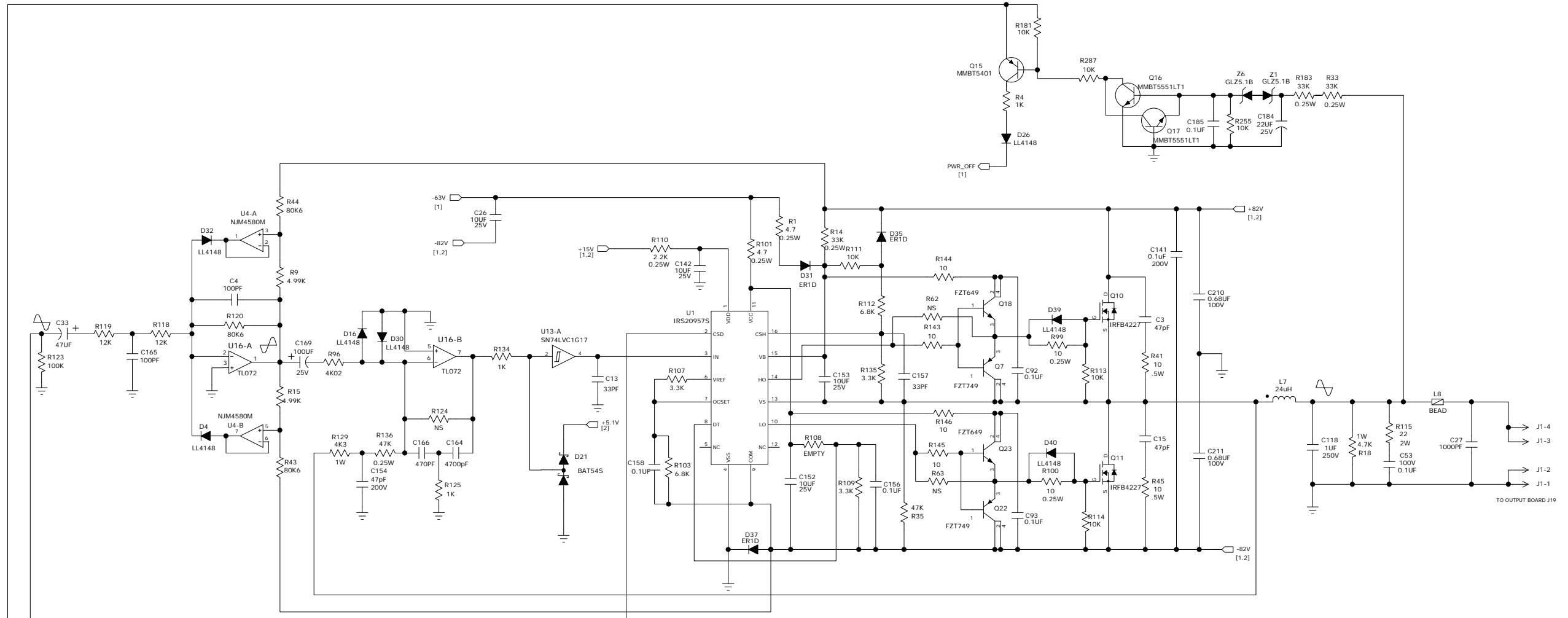


- SCH  2034544-XX SCHEMATIC PCB ASSY MAIN BOARD PF500
- PCB  2034543-08 PCB FAB MAIN BOARD PF500
- FORC34  0032291 SHRINK TUBE 18X40MM
- FORTH1  0032291 SHRINK TUBE 18X40MM
- FORL3L6  0025312 WIRE JUMPER 20AWG 60MM
- FORL7  0021206 TIE WRAP 4.5" LG
- FORC141  0032291 SHRINK TUBE 18X40MM
- FORC118  0032291 SHRINK TUBE 18X40MM



APPROVALS		DATE	 TECHNOLOGIES INC. WOODINVILLE WA. USA
DRAWN:	YOUNG	12.25.2009	
CHECKED:	RJ	9/30/2010	
NP ENG:			
MATERIAL:			
MFG:			
MFG ENG:			
ISSUED:			
SIZE: D		SCALE: NONE	DWG. NO: 2034544-XX
DWG. FILE:			REV. J03
SHEET		1 OF 2	

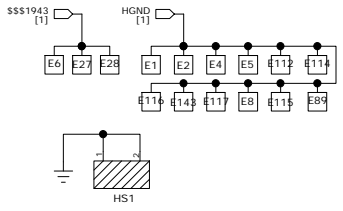
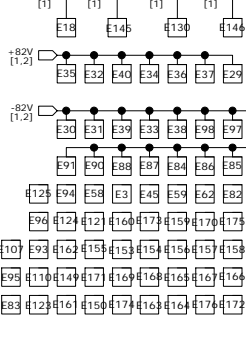
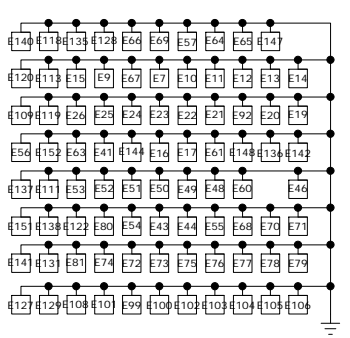
**PF500 MAIN  
POWER SUPPLY SECTION**



- MISC1  730-001-00 THERMAL COMPOUND
- MISC2  2034504 SILICONE RTV
- SCR18  0029375 SCR SEMS M3X16 PNH PHILLIP STL NICKEL
- SCR17  0026673 SCR SEMS M3X12 PNH PHILLIP STL NICKEL
- SCR16  0026673 SCR SEMS M3X12 PNH PHILLIP STL NICKEL
- HS5  2035269 HEATSINK 1 PF500
- HS6  2035270 HEATSINK 2 PF500
- HS7  2035271 HEATSINK 3 PF500
- PLT2  2035974 PLATE 25X19X1MM CER


E42 E47 E124 E133 E133 E133 E133 E133 E133 E177 E178

SS510719 SS527039 SS519684 SS54312



- INSB  0027081 INSULATOR 19.4X14X2MM CER
- INS7  0027081 INSULATOR 19.4X14X2MM CER
- INS6  0027081 INSULATOR 19.4X14X2MM CER
- INS5  0027081 INSULATOR 19.4X14X2MM CER
- INS4  0027081 INSULATOR 19.4X14X2MM CER
- INS2  0027081 INSULATOR 19.4X14X2MM CER
- SCR13  0026671 SCR SEMS M3X10 PNH PHILLIP STL NICKEL
- SCR12  0026671 SCR SEMS M3X10 PNH PHILLIP STL NICKEL
- SCR7  0026673 SCR SEMS M3X12 PNH PHILLIP STL NICKEL
- SCR6  0026673 SCR SEMS M3X12 PNH PHILLIP STL NICKEL
- SCR5  0026673 SCR SEMS M3X12 PNH PHILLIP STL NICKEL
- SCR2  0026673 SCR SEMS M3X12 PNH PHILLIP STL NICKEL
- SCR4  0026671 SCR SEMS M3X10 PNH PHILLIP STL NICKEL
- SCR1  0026671 SCR SEMS M3X10 PNH PHILLIP STL NICKEL
- CLP2  FIT PART SVT-7PRO (Bar Clamp)
- CLP1  0033326 FIT PART SVT-7PRO (Bar Clamp)
- SCR15  0026671 SCR SEMS M3X10 PNH PHILLIP STL NICKEL
- SCR14  0026671 SCR SEMS M3X10 PNH PHILLIP STL NICKEL
- PLT1  2035974 PLATE 25X19X1MM CER
- INS3  2035273 INSULATOR HEATSINK 1 PF500
- INS1  2037008 INSULATOR HEATSINK 2 PF500
- SCR11  0029375 SCR SEMS M3X16 PNH PHILLIP STL NICKEL
- SCR10  0029375 SCR SEMS M3X16 PNH PHILLIP STL NICKEL
- SCR9  0029375 SCR SEMS M3X16 PNH PHILLIP STL NICKEL
- SCR8  0029375 SCR SEMS M3X16 PNH PHILLIP STL NICKEL
- SCR3  0029375 SCR SEMS M3X16 PNH PHILLIP STL NICKEL

APPROVALS		DATE	
DRAWN:	YOUNG	12.25.2009	
CHECKED:			
NP ENG:			
MATERIAL:			
MPG:			
MPG ENG:			
ISSUED:			



TECHNOLOGIES INC. WOODINVILLE WA. USA

## PF500 MAIN

### CLASS\_D AMP SECTION

SIZE	SCALE:	DWG. NO.	REV.
D	NONE	2034544-XX	J03

SHEET 2 OF 2